



Parts Certificate GB-1592

Issued by	NMO
In accordance with	The applicable requirements of the Welmec Guides 2.8, 7.2 and 8.8, and OIML R51-1:2006 (E).
Applicant	Dini Argeo S.r.l. Via della Fisica 20 41042 Spezzano di Fiorano Modena Italy
In respect of	The model of an Indicating Device tested as a separate part of an automatic catchweighing instrument. Manufacturer: the applicant Type: DGT Series
Characteristics	Suitable for an automatic catchweighing instrument with the following characteristics: Maximum number of scale intervals $\leq 10,000$ Accuracy class: XIII(1) and Y(a)
Description and documentation	The indicating device is described in the Descriptive Annex. Documents appertaining to this test certificate are held by NMO.
Remarks	Examination results, test results and documentation are listed in Evaluation Report P01954.

Issue Date: 2 September 2016
Reference No: TS0101/0046

Marek Bokota
Technical Manager

For and on behalf of the Head of Certification Body

Descriptive Annex

INTRODUCTION

This family of indicating devices, designated the DGT Series, is designed to be used in conjunction with appropriate conveyors, a weighing platform, one or more controller, sensors and mechanical handling facilities to form an automatic checkweigher (Category X) or catchweigher (Category Y), designed to weigh packs statically or dynamically.

1 FUNCTIONAL DESCRIPTION

1.1 Construction

The DGT indicating devices (Figure 1) are fully described in Parts (Test) Certificate GB-1461.

1.2 Devices

The indicator is provided with the following devices:

- Semi-automatic zero setting ($\leq 4\%$ Max)
- Zero tracking ($\leq 4\%$ Max)
- Semi-automatic subtractive tare weighing
- Preset tare
- Recall of Gross indication when tare is active
- Determination of stability of equilibrium
- Indication of stability of equilibrium
- Multi-range and multi-interval function
- Alibi memory
- Gravity compensation
- Command via external device (PC)

The complete instrument shall prevent the operation of the semi-automatic zero-setting and semi-automatic tare devices during automatic operation.

The complete instrument shall be provided with an automatic zero setting, the frequency of which shall be at least every 66 minutes.

The complete instrument shall be able to display the pre-set tare value.

Measurement data shall be stored automatically.

1.3 Documentation

The documentation is listed in Evaluation Report P01954.

1.4 Operation

The DGT indicating devices are used as weight transmitters only, and convert the load cell signal into a digital weight indication.

They shall be integrated as part of a system comprising a weighing platform, conveyors, sensors for pack detection and one or more PLC and associated software managing the weighing process (for instance but not limited to: average weight, standard deviation, data storage, interlocks, additional display).

2 TECHNICAL DATA

The DGT indicating devices are fully described in Parts (Test) Certificate GB-1461.

3 SOFTWARE

3.1 Security

The software is held on the Flash Memory and cannot be modified by the user. The calibration and legally relevant parameters are protected via physical or software means.

A jumper located on the main board prevents all access to the legally relevant parameters.

3.2 Software identification

The software identification is fully described in the user manual, and can be displayed at power up or via the software menu.

The legally relevant software is identified by two parts: **prefix/version**.

The **prefix** shows the instrument model and shall be 09.

The **version** shows the legally relevant software version shall be 01.

The **prefix/version** may be followed by a suffix indicating the software program version and other options installed which may be freely modified.

Since the code may be longer than the digits available on the display, it is shown in two parts.

The software complies with Welmec Guide 7.2 (2015), Risk class B, Type P, Extensions L and T.

4 INTERFACES

4.1 The available interfaces for the indicating devices are fully described in Parts (Test) Certificate GB-1461.

4.2 Peripheral devices

The following peripheral devices may be connected to the interfaces provided:

- Peripheral devices that have been issued with a Parts Certificate by a Notified Body responsible for type examination under Directive 2014/32/EU; or
- Peripheral devices without a Parts Certificate under the following conditions:
 - it bears the CE marking for conformity to the EMC Directive;
 - it is not capable of transmitting any data or instruction into the weighing instrument, other than to release a printout, checking for correct data transmission or validation;
 - it prints weighing results and other data as received from the weighing instrument without any modification or further processing;
 - it complies with the applicable requirements of EN:45501, i.e. 4.2, 4.4, 4.6 and 4.7.

A printing device may print additional information such as date or number to identify the printed weighing result(s) or sets of weighing results.

5 MARKS AND INSCRIPTIONS

The indicating devices shall bear the following legends:

Parts Certificate number
Manufacturer's mark or name

7 LOCATION OF SEALS AND VERIFICATION MARKS

7.1 The rating plate shall be located on the indicator so that it is easily accessible and clearly visible in its regular operating position. The data plate shall be impossible to remove without it being destroyed.

7.2 Components that may not be dismantled or adjusted by the user (jumper on main board) shall be secured by a tamper-evident sealing method bearing a securing mark. The securing mark may be either:

- a mark of the manufacturer and/or manufacturer's representative, or
- an official mark of a verification officer.

Figures 3 and 4 show the sealing method for the DGT indicating devices.

8 ALTERNATIVES

There are at present no authorised alternatives.

9 ILLUSTRATIONS

- Figure 1 DGT Series (ABS case, example),
Figure 2 DGT Series (stainless steel case, example),
Figure 3 DGT sealing method (ABS case enclosure)
Figure 4 DGT sealing method (stainless steel case enclosure)

CERTIFICATE HISTORY

ISSUE NO.	DATE	DESCRIPTION
GB-1592	2 September 2016	Parts certificate first issued.
-	-	No revisions have been issued.



Figure 1 DGT Series (ABS case, example)



Figure 2 DGT Series (stainless steel case, example)

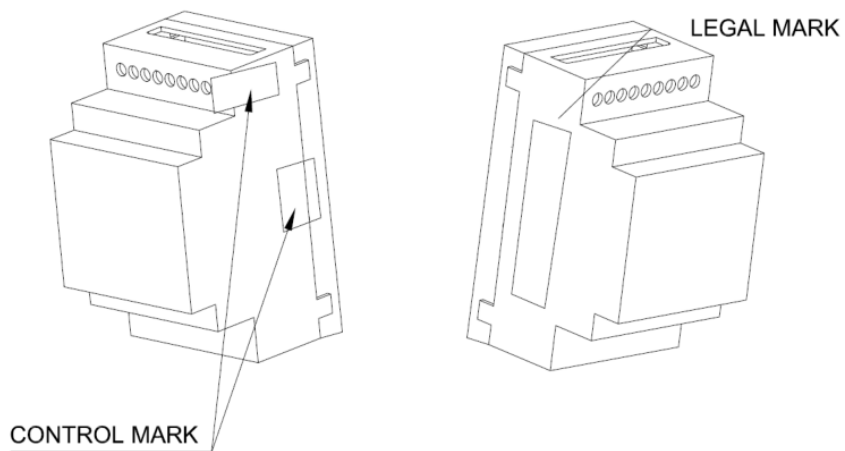


Figure 3 DGT sealing method (ABS case enclosure)

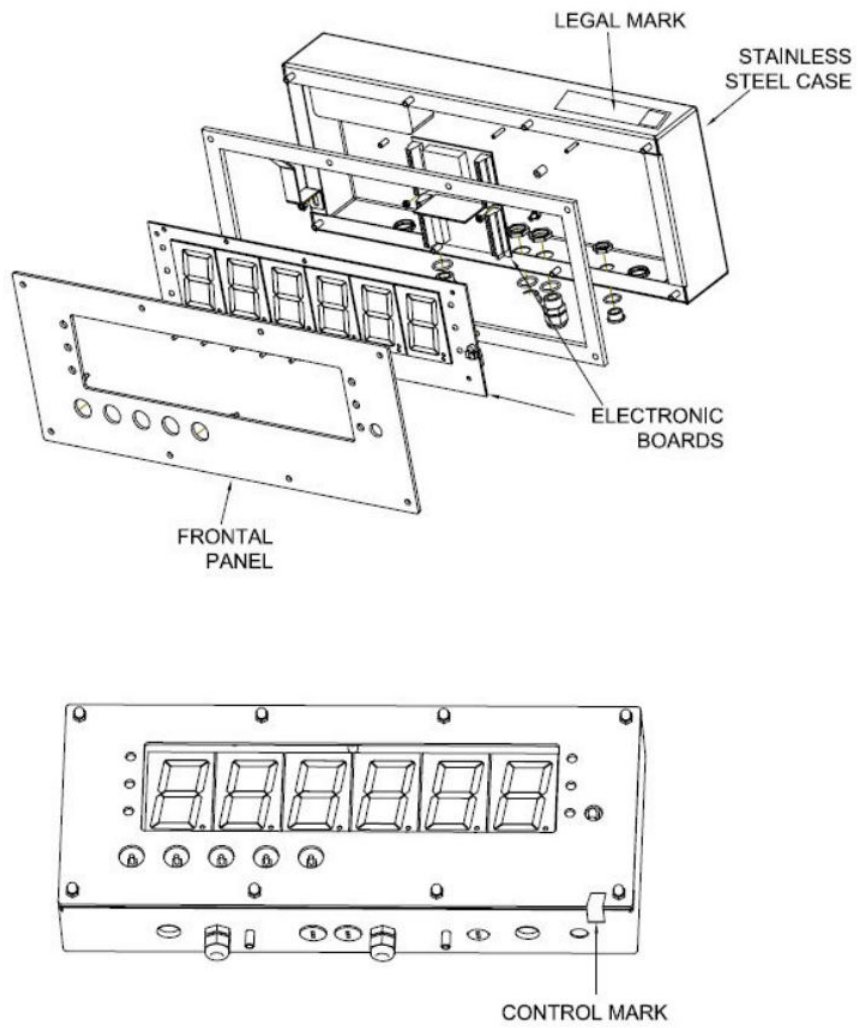


Figure 4 DGT sealing method (stainless steel enclosure)