



Picture is a representation of actual product.

### Approvals



Available upon request

Available upon request

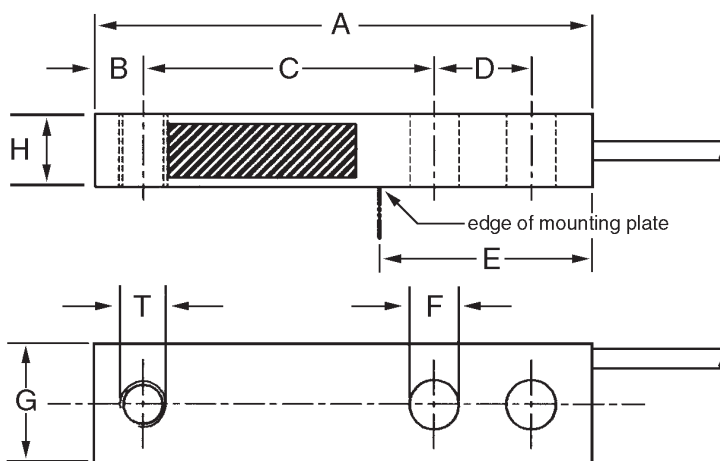
### Order Information

Load Rating	Part #	Est. Weight	Price
<b>NTEP Certified</b>			
500 kg	<b>84839</b>	2lb	Consult
1,000 kg	<b>84840</b>	2lb	Consult
2,000 kg	<b>84841</b>	2lb	Consult
<b>Non-NTEP Certified</b>			
200 kg	<b>84838</b>	2lb	Consult

### Dimensions

Rated Capacity	A	B	C	D	E	F	G	H	T*
kg/mm									
200	128.5	12.7	76.2	25.4	53.8	13(2x)	31.8	16.1	1/2-20 UNF
500	128.5	12.7	76.2	25.4	53.8	13(2x)	31.8	16.1	1/2-20 UNF
1,000	128.5	12.7	76.2	25.4	53.8	13(2x)	31.8	19.1	1/2-20 UNF
2,000	130.2	12.7	76.2	25.4	53.8	13(2x)	31.8	25.4	1/2-20 UNF

\*Metric thread is available



### Specifications

#### Full Scale Output:

2.0 mV/V  
mV/V/ohm calibration

#### Output Resistance:

1,000 ( $\pm 2$ ) ohm

#### Input Resistance:

1,100 ( $\pm 50$ ) ohm

#### Material/Finish:

Stainless steel

#### Temperature:

Compensated range  
14 °F to 104 °F (-10 °C to 40 °C)  
Operating range  
0 °F to 150 °F (-18 °C to 65 °C)

#### Seal Type:

Environmentally sealed, IP67

#### Safe Overload:

200% full scale

#### Safe Sideload:

100% full scale

#### Rated Excitation:

5 to 10 VAC/DC (15 V maximum)

#### Combined Error:

0.030%

#### Insulation Resistance:

5,000 megohm

#### Cable Length:

10 ft  
Also available in 30 ft

#### Cable Diameter:

0.196 in  
Polyurethane jacket

#### Cable Color Code:

Green +Excitation  
Black -Excitation  
White +Signal  
Red -Signal  
Yellow Shield

#### Warranty:

One-year limited

#### Approvals:

NTEP  
EX (Available upon request)  
OIML (Available upon request)