

# VIRTUlink™ Quick Start Guide

This quick start guide describes how to quickly install the Internet of Things (IoT) Gateway for use with VIRTUlink.



**Note** Only use IoT Gateway indoors or outdoors (in environmentally appropriate enclosure) operating within temperatures of -4°F to 140°F.

## 1. Connect Ethernet Cables

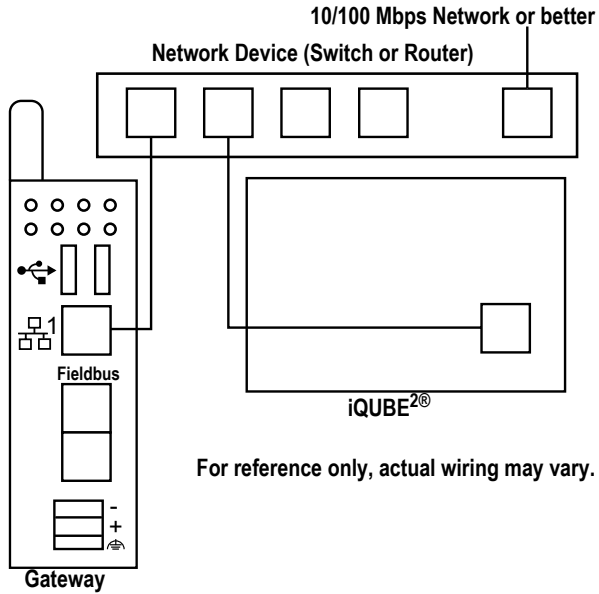


Figure 1. Wiring Diagram

1. Connect Ethernet cable to upper most RJ-45 port on IoT Gateway.
2. Plug free end of Ethernet cable into connected network device (such as a switch or router).



**Note** IoT Gateway requires Internet and local network access to iQUBE<sup>2</sup>.

3. Connect Ethernet cable to iQUBE<sup>2</sup>.
4. Plug free end of Ethernet cable into local network device (such as a switch or router).



**Note** iQUBE<sup>2</sup> must be connected to a local network that can be accessed by the IoT Gateway.



**CAUTION** Do not provide iQUBE<sup>2</sup> access to the Internet or allow it to be accessible from the Internet.

## 2. Connect Power Cables

1. Perform one of the following:
  - If power cable is assembled with 3 pin connector, plug 3 pin connector in to IoT Gateway's power input.
  - If power cable is unassembled, attach free ends to connector as indicated by labels and plug in to IoT Gateway's power input.
2. Plug free end of power cable into appropriate power source.

## 3. Login to VIRTUlink

VIRTUlink

Username

Password

LOGIN

Figure 2. VIRTUlink Login Prompt

1. Navigate internet browser to <https://www.virtulink.com/>.
2. Login with credentials.

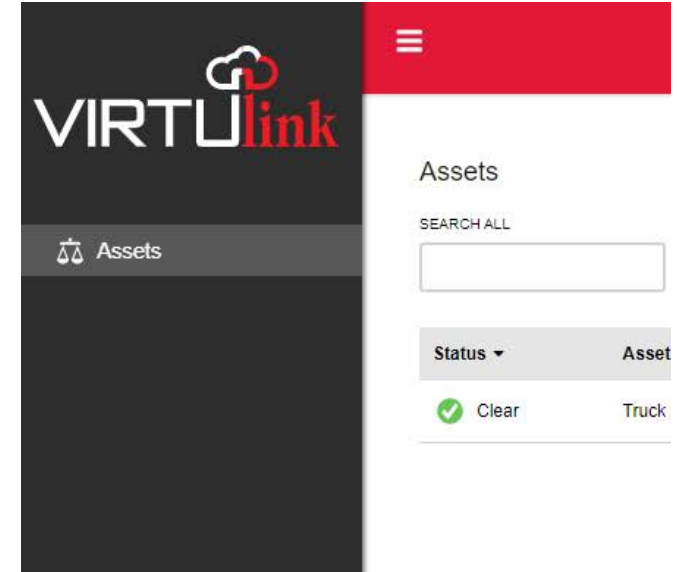


Figure 3. VIRTUlink Assets Page

3. Wait for VIRTUlink to fully load.
4. If Status column does not display a green check mark after ten minutes, contact dealer or Rice Lake Weighing Systems.