



Picture is a representation of actual product

Approvals

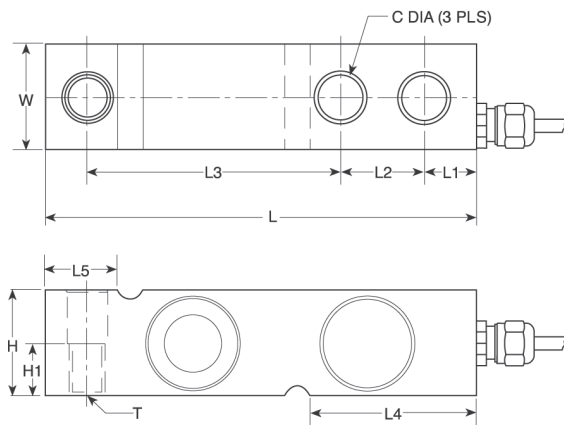


Order Information

Load Rating	Part #	Est. Weight	Price
1,000 lb	36458	3 lb	Consult
1,500 lb	36459	3 lb	Consult
2,500 lb	36460	3 lb	Consult
4,000 lb	36461	3 lb	Consult

Dimensions

Rated Capacity	C	H	H1	L	L1	L2	L3	L4	L5	T	W
lb/in											
1,000 to 4,000	0.53	1.26	0.63	5.12	0.62	1.00	3.00	1.97	0.91	1/2-14 UNF	1.26



Interchangeable Products

- VPG® SENSORTRONICS®
65083..... page 284
- VPG® CELTRON®
SQB-HSS.....page 192

Weigh Module Available

- RICE LAKE WEIGHING SYSTEMS
RL1700 HEpage 33

Specifications

- Full Scale Output:**
3.0 mV/V
- Output Resistance:**
350 (± 3) ohm
- Input Resistance:**
415 (± 15) ohm
- Material/Finish:**
Stainless steel
- Temperature:**
Compensated:
14 °F to 104 °F (-10 °C to 40 °C)
Operating:
0 °F to 150 °F (-18 °C to 65 °C)
- Seal Type:**
Welded-seal, IP68
- Safe Overload:**
150% full scale
- Safe Sideload:**
100% full scale
- Rated Excitation:**
5 to 10 VDC (15 V maximum)
- Combined Error:**
0.02% full scale
- Insulation Resistance:**
1,000 megohm
- Deflection at Capacity:**
0.015 in
- Cable Length:**
5 m
- Cable Diameter:**
0.220 in
Polyurethane jacket
- Cable Color Code:**
Blue +Excitation
Black -Excitation
White +Signal
Red -Signal
Green +Sense
Gray -Sense
- Warranty:**
One-year limited
- Approvals:**
cFMus
NTEP

VPG®
TEDEA-HUNTLEIGH®