

# On-site OS-10/OS-25/OS-45

Suspended Scale



## Standard Features

- Hold function
- Units of measure: lb/lb-oz/kg
- Adjustable automatic shut-off
- Ergonomic handheld design
- Battery operated, two AA batteries (included)
- Carrying case and top s-hook (included)
- Captured lower hook, removable upper hook (both hooks included)

## Specifications

### Capacity:

**OS-10:**  
 22 lb × 0.02 lb  
 22 lb × 0.25 oz  
 10 kg × 0.01 kg

**OS-25:**  
 55 lb × 0.05 lb  
 55 lb × 0.5 oz  
 25 kg × 0.02 kg

**OS-45:**  
 99 lb × 0.1 lb  
 99 lb × 1 oz  
 45 kg × 0.05 kg

### Power:

Two AA batteries (included)

### Temperature:

Operating:  
 32 °F to 104 °F (0 °C to 40 °C)

### Warranty:

One-year limited

### Approvals:

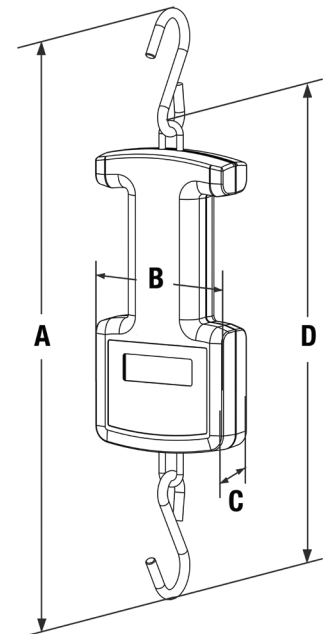
CE Approved

Approvals



## Part Number/Price

Part #	Model	Capacity	Est. Weight	Price
130292	OS-10	10 × 0.01 kg (22 × 0.02 lb) (22 lb × 1/4 oz)	1.25 lb	Consult
130293	OS-25	25 × 0.02 kg (55 × 0.05 lb) (55 lb × 1/2 oz)	1.25 lb	Consult
130294	OS-45	45 × 0.05 kg (99 × 0.1 lb) (99 lb × 1 oz)	1.25 lb	Consult



## Dimensions

	Inches	Centimeters
A	14.3	36.3
B	3.6	9.2
C	1.3	3.2
D	11.6	29.4

HANGING SCALES

