

DUAL RANGE

# 650-10-1 NEONATAL SCALE

The 650-10-1 neonatal baby scale precisely weighs even the most active babies, up to 33 pounds. Motiontrap™ movement compensation technology compensates for involuntary movements and provides a stable, accurate weight reading. Enhanced precision is essential especially when weighing premature infants. The 650-10-1 provides these precise weighments from zero to 10 pounds with accuracy within 0.05 ounces. A two-sided removable tray keeps babies safe and a built-in measuring tape ensures quick and easy measurements.

## FEATURES

- LCD display
- Dual-range capacity for increased precision
- Unit of measure locking
- Automatic shut-off for long battery life
- Motiontrap™ movement compensation technology
- Built-in measuring tape

## SPECIFICATIONS

### Capacity:

Range 1: 0 to 10 lb × 0.05 oz  
(0 to 5 kg × 1 g)

Range 2: 10 to 33 lb × 0.1 oz  
(5 to 15 kg × 2 g)

### Power:

9 VDC, provided by six AA lithium batteries (included) or AC adapter (optional)

### Measuring Tape:

0 to 23.5 in × 0.125 in  
(0 to 60 cm × 0.25 cm)

### Battery Type:

Six Li-FeS<sub>2</sub> batteries

### Temperature:

Operating:  
50 °F to 95 °F (10 °C to 35 °C)

### Display:

5-digit LCD display, 0.75 in (1.9 cm) digit height

### Approvals:

c-Met E113986

### Warranty:

Two-year limited





## NEONATAL SCALE

MODEL	CAPACITY	POWER	PART #
650-10-1	0 to 10lb x 0.05 oz, 10 to 33lb x 0.1 oz (0 to 5kg x 1g, 5 to 15kg x 2g)	120V/230V	161784

## OPTIONS

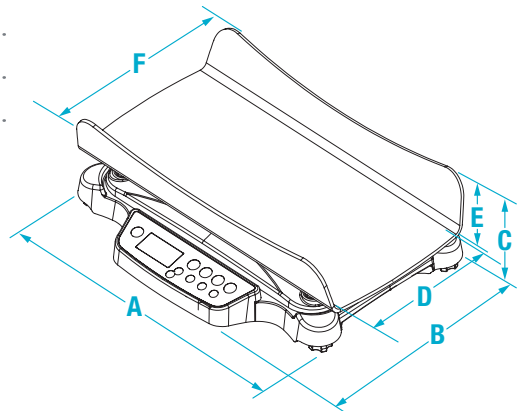
DESCRIPTION	PART #
AC adapter, c-Met, medical grade	165138

## SHIPPING WEIGHT

MODEL #	PART #	L (IN)	W (IN)	H (IN)	PACKAGE WGT. (LB)	DIM WGT. (LB)	SHIPPING WGT. (LB)
650-10-1	161784	18	28	11	25	40	40

## DIMENSIONS

	INCHES	CENTIMETERS		INCHES	CENTIMETERS
<b>A</b>	23.94	60.8	<b>D</b>	10.50	26.7
<b>B</b>	16.95	43.1	<b>E</b>	3.11	7.9
<b>C</b>	6.29	16.0	<b>F</b>	13.34	33.9



PG  
75

