



25K shown

5K shown

Load cup sold separately on 5,000 and 10,000 lb models.

Picture is a representation of actual product.

Approvals



Order Information

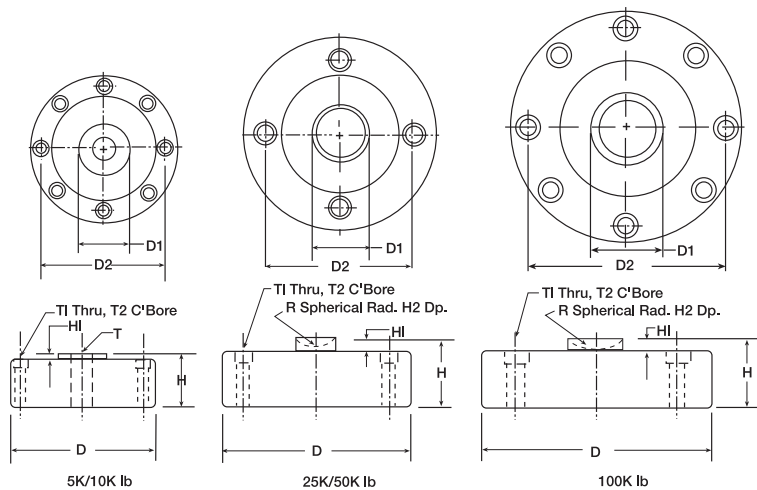
Load Rating	Part #	Est. Weight	Price
5,000 lb*	33061	6 lb	Consult
10,000 lb*	33062	6 lb	Consult
25,000 lb	33063	9 lb	Consult
50,000 lb	33064	9 lb	Consult
100,000 lb	33065	13 lb	Consult
Load Cup**	33616		Consult

*5,000lb and 10,000lb models can be used in compression and tension load applications.

**Load cup, PN 33616, is required for compression applications on 5,000lb and 10,000lb capacity load cells.

Dimensions

Rated Capacity	T	R	D	D1	D2	H	H1	H2	T1	T2
5,000* to 10,000*	5/8-18 UNF-3B	—	4.12	1.26	3.50	1.37	0.12	—	0.28	0.406 x 0.283 DP
25,000 to 50,000	—	0.875	4.75	1.53	4.00	2.12	0.50	0.30	0.34	0.508 x 0.38 DP
100,000	—	0.875	5.50	1.98	4.60	2.25	0.25	0.30	0.41	0.626 x 0.4 DP



Interchangeable Products

VPG® CELTRON®
LCDpage 199

Specifications

- Full Scale Output:**
4.0 mV/V
- Output Resistance:**
5,000 to 50,000 lb: 350 (± 3) ohm
100,000 lb: 700 (± 5) ohm
- Input Resistance:**
5,000 to 50,000 lb: 385 (± 5) ohm
100,000 lb: 770 (± 70) ohm
- Material/Finish:**
High-alloy steel, nickel plated
- Temperature:**
Operating:
0 °F to 150 °F (-18 °C to 65 °C)
- Seal Type:**
Environmentally sealed, IP67
- Safe Overload:**
150% full scale
- Safe Sideload:**
100% full scale
- Rated Excitation:**
15 VDC (15 V maximum)
- Nonlinearity:**
0.05% full scale
- Hysteresis:**
0.02% full scale
- Insulation Resistance:**
2,000 megohm
- Cable Length:**
50 ft
- Cable Diameter:**
5,000 to 25,000 lb: 0.200 in
50,000 to 100,000 lb: 0.305 in
Polyurethane jacket
- Cable Color Code:**
Red +Excitation
Black -Excitation
Green +Signal
White -Signal
- Warranty:**
Two-year limited
- Approvals:**
cMus

**RICE LAKE
LOAD CELLS**