



**ATEX Solutions with
DFWIECEX Weight Indicator
for Zone 1/21**

GUIDE



DINI AR GEO
Scales - Weighing systems

A RICE LAKE WEIGHING SYSTEMS COMPANY

ATEX Solutions with DFWIECEX Weight Indicator for Zone 1/21



 Please contact Dini Argeo for more information about ATEX and IECEx weighing solutions. Visit the website www.diniargeo.com for updated codes and prices.

Dini Argeo is an international leader in weighing systems for hazardous areas. With a wide range of ATEX and IECEx certified products, Dini Argeo can provide solutions for nearly every weighing need.

Each Dini Argeo product undergoes a scrupulous quality control inspection, which guarantees its safety once installed in an hazardous area.

Dini Argeo weighing systems for hazardous areas meet the requirements of the main certifications:

- ATEX, at European level
- IECEx, at international level

In addition to stand-alone weighing solutions for hazardous areas, Dini Argeo can create engineered systems. With the help of this guide, you can select a series products to create a unique system that meets your specific weighing needs.





EX
PERICOLO
ATMOSFERA ESPLOSIVA
SISTEMA Categoria II
Presenza di prodotti infiammabili
da 15 a 1000 g/m³

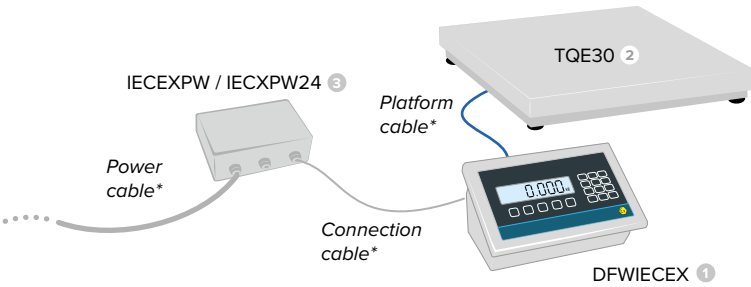
Atmosfera infiammabile	Atmosfera infiammabile	Atmosfera infiammabile
Atmosfera infiammabile	Atmosfera infiammabile	Atmosfera infiammabile
Atmosfera infiammabile	Atmosfera infiammabile	Atmosfera infiammabile
Atmosfera infiammabile	Atmosfera infiammabile	Atmosfera infiammabile

INDEX

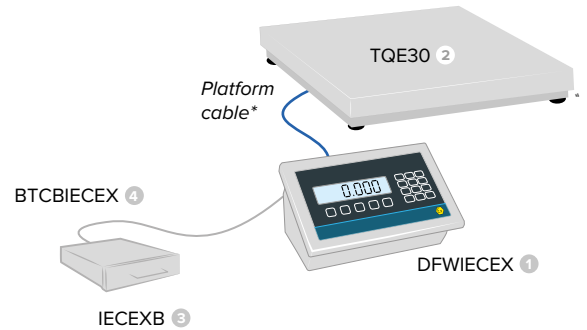
Bench Scales	p. 6
Mobile Bench Scales	p. 7
Floor Scales	p. 8
Pallet Weighers	p. 9
Silo Weighing	p. 10
Silo Batching	p. 10
Cable Extension	p. 10
RS485 Communication	p. 11
4 Inputs/4 Outputs	p. 11

Bench Scales

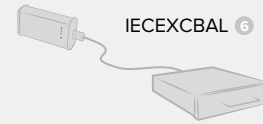
MAIN VERSION



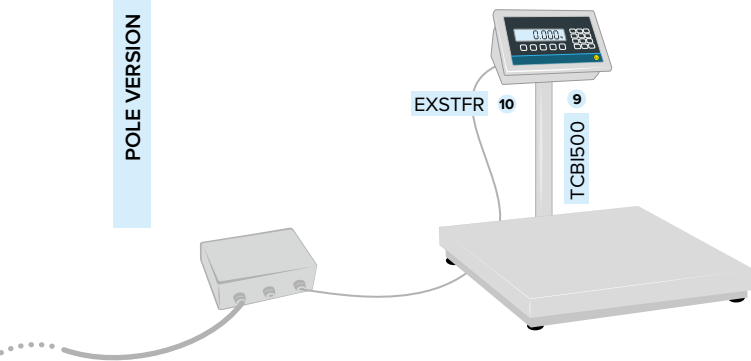
BATTERY VERSION



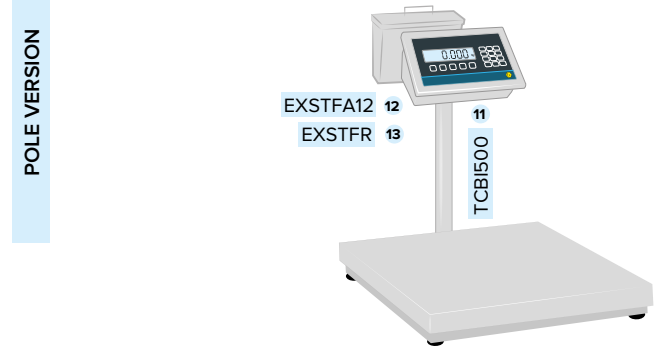
BATTERY CHARGE IN SAFETY AREA ONLY.



POLE VERSION



POLE VERSION



	DESCRIPTION	CODE (example)	QTY
1	Weight indicator	DFWIECEX	1
2	Platform	TQE30	1
3	Power supply	IECEXPW / IECEXPW24	1
4	Installation service	S6	1
5	Certificate	CCATEX-x	1
6	Declaration	EXDC	1
7	Calibration	DINICAL	1
8	Approval	ECEM **	1

POLE VERSION

9	Column	TCBI500	1
10	Bracket	EXSTFR	1

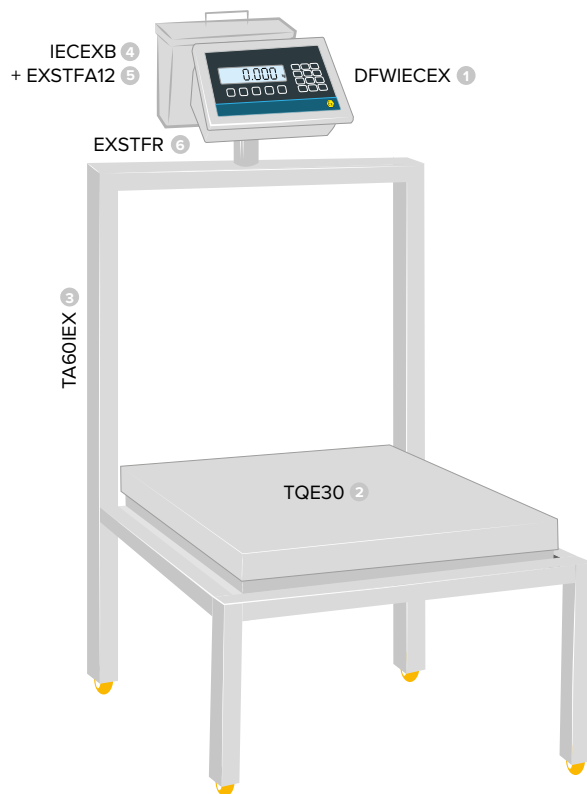
	DESCRIPTION	CODE (example)	QTY
1	Weight indicator	DFWIECEX	1
2	Platform	TQE30	1
3	Battery	IECEXB	1
4	Cable	BTCBIECEX	1
5	Installation service	S1	1
6	Battery charging kit	IECEXCBAL	1
7	Certificate	CCATEX-x	1
8	Declaration	EXDC	1
9	Calibration	DINICAL	1
10	Approval	ECEM**	1

POLE VERSION

11	Column	TCBI500	1
12	Bracket	EXSTFA12	1
13	Bracket	EXSTFR	1

* These cables are provided as standard ** Only for legal for trade approved version

Mobile Bench Scales

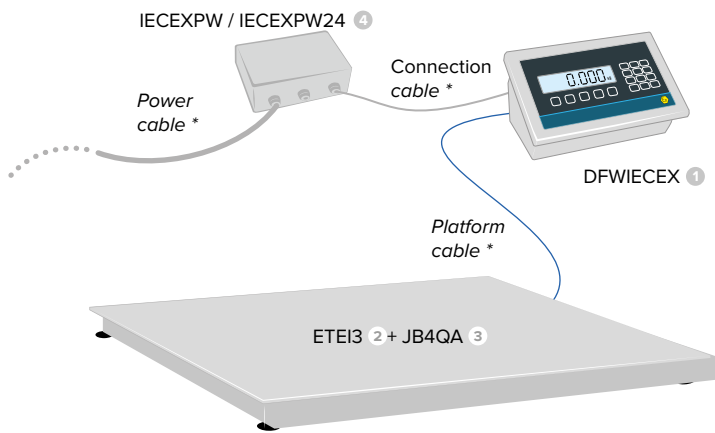


	DESCRIPTION	CODE (example)	QTY
1	Weight indicator	DFWIECEX	1
2	Platform	TQE30	1
3	Cart	TA60IEX	1
4	Battery	IECEXB	1
5	Bracket	EXSTFA12	1
6	Bracket	EXSTFR	1
7	Cable	BTCBIECEX	1
8	Installation service	S1	1
9	Battery charging kit	IECEXCBAL	1
10	Certificate	CCATEX-x	1
11	Declaration	EXDC	1
12	Calibration	DINICAL	1
13	Approval	ECEM**	1

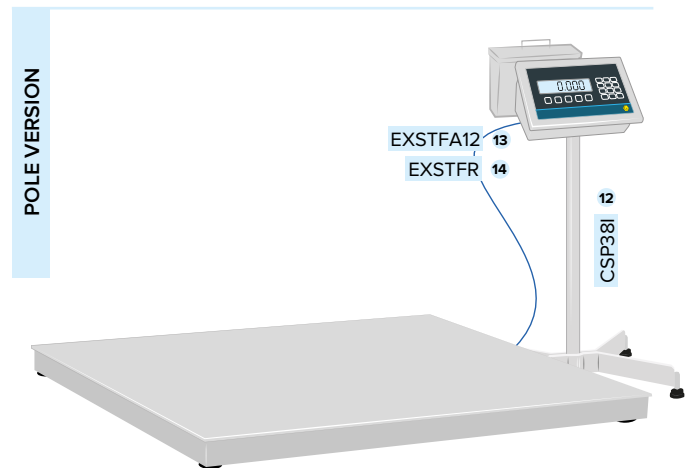
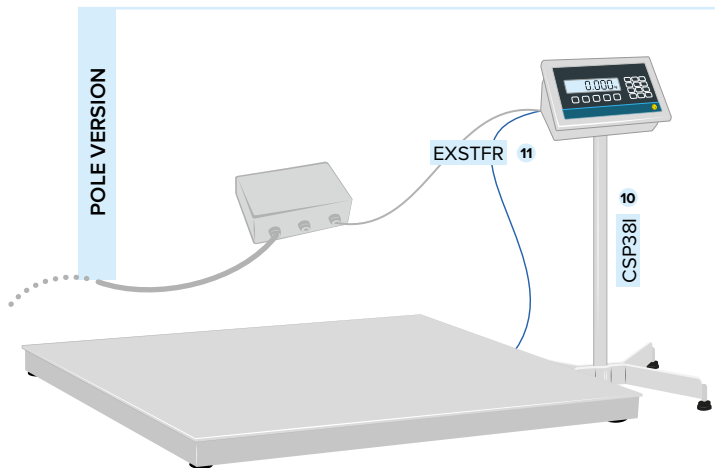
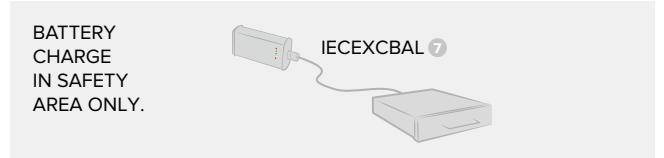
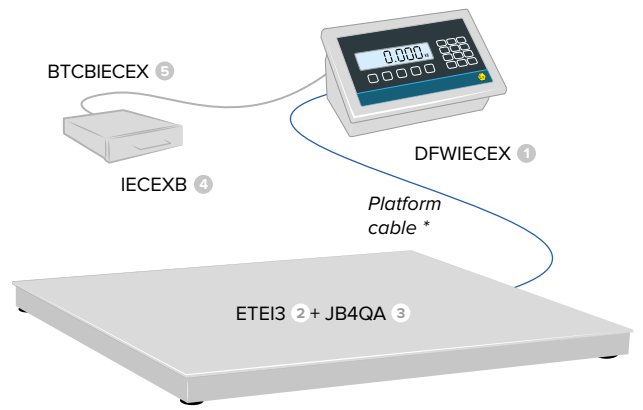
** Only for legal for trade approved version

Floor Scales

MAIN VERSION



BATTERY VERSION



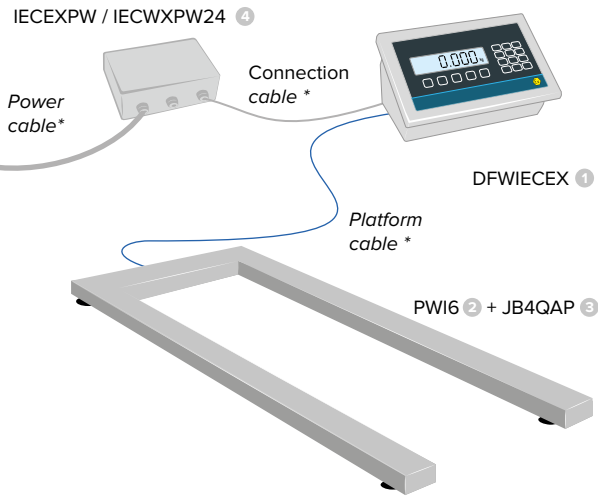
	DESCRIPTION	CODE (example)	QTY
1	Weight indicator	DFWIECEX	1
2	Platform	ETEI3	1
3	Junction box	JB4QA	1
4	Power supply	IECEXPW / IECEXPW24	1
5	Installation service	S6	1
6	Certificate	CCATEX-x	4
7	Declaration	EXDC	1
8	Calibration	DINICAL	1
9	Approval	ECEM **	1
POLE VERSION			
10	Column	CSP38I	1
11	Bracket	EXSTFR	1

	DESCRIPTION	CODE (example)	QTY
1	Weight indicator	DFWIECEX	1
2	Platform	ETEI3	1
3	Junction box	JB4QA	1
4	Battery	IECEXB	1
5	Cable	BTCBIECEX	1
6	Installation service	S1	1
7	Battery charging kit	IECEXCBAL	1
8	Certificate	CCATEX-x	4
9	Declaration	EXDC	1
10	Calibration	DINICAL	1
11	Approval	ECEM **	1
POLE VERSION			
12	Column	CSP38I	1
13	Bracket	EXSTFA12	1
14	Bracket	EXSTFR	1

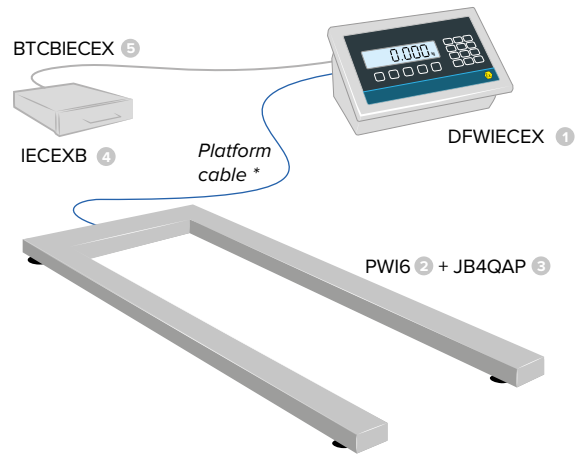
* These cables are provided as standard ** Only for legal for trade approved version

Pallet Weighers

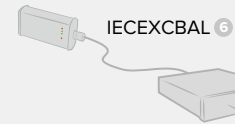
MAIN VERSION



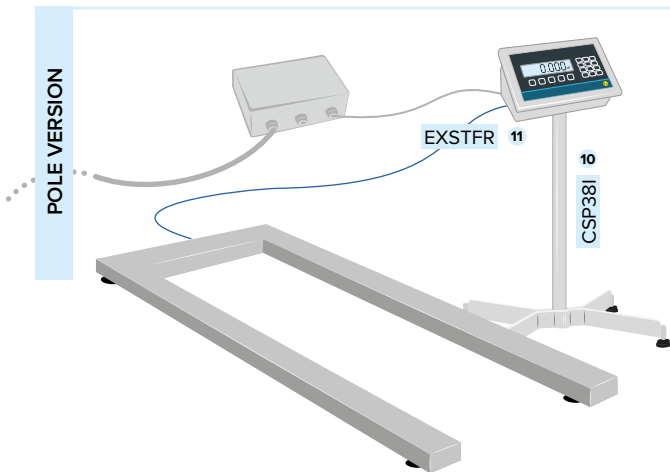
BATTERY VERSION



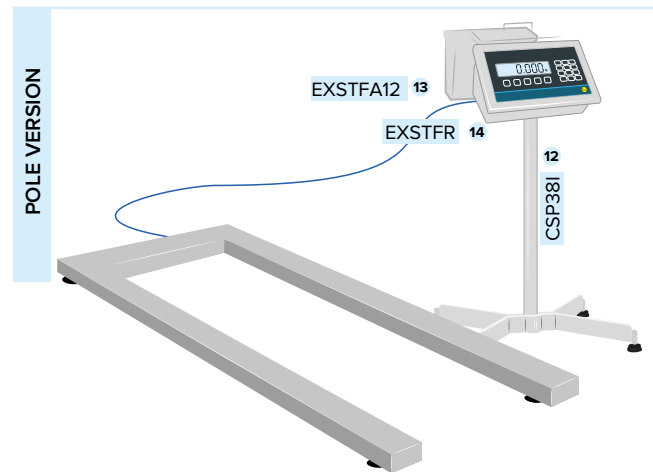
BATTERY CHARGE IN SAFETY AREA ONLY.



POLE VERSION



POLE VERSION

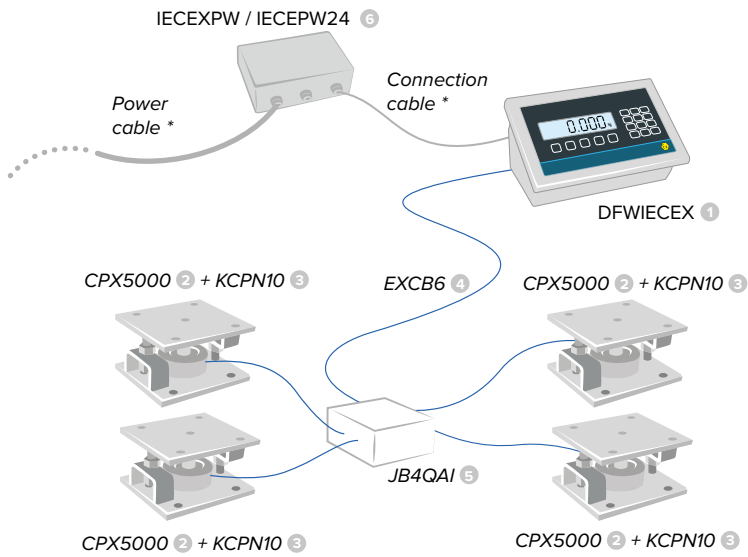


	DESCRIPTION	CODE (example)	QTY
1	Weight indicator	DFWIECEX	1
2	Pallet weigher	PW16	1
3	Junction box	JB4QAP	1
4	Power supply	IECEXPW / IECWXPW24	1
5	Installation service	S6	1
6	Certificate	CCATEX-x	4
7	Declaration	EXDC	1
8	Calibration	DINICAL	1
9	Approval	ECM **	1
POLE VERSION			
10	Column	CSP38I	1
11	Bracket	EXSTFR	1

	DESCRIPTION	CODE (example)	QTY
1	Weight indicator	DFWIECEX	1
2	Pallet weigher	PW16	1
3	Junction box	JB4QAP	1
4	Battery	IECEXB	1
5	Cable	BTCBIECEX	1
6	Installation service	S1	1
7	Battery charging kit	IECEXCBAL	1
8	Certificate	CCATEX-x	4
9	Declaration	EXDC	1
10	Calibration	DINICAL	1
11	Approval	ECM **	1
POLE VERSION			
12	Column	CSP38I	1
13	Bracket	EXSTFA12	1
14	Bracket	EXSTFR	1

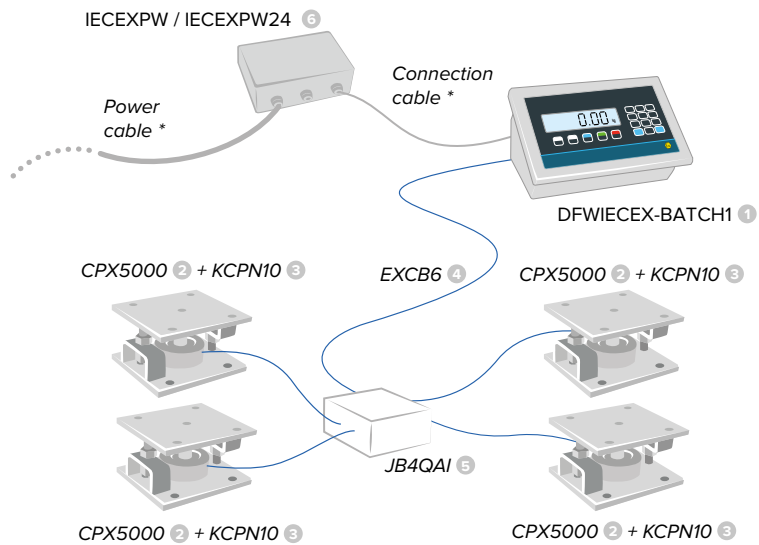
* These cables are provided as standard ** Only for legal for trade approved version

Silo Weighing



	DESCRIPTION	CODE (example)	QTY
1	Weight indicator	DFWIECEX	1
2	Load cell	CPX5000	4
3	Mounting kit	KCPN10	4
4	Shielded cable	EXCB6	n **
5	Junction box	JB4QAI	1
6	Power supply	IECEXPW / IECEXPW24	1
7	Installation service	S6	1
8	Certificate	CCATEX-x	4
9	Declaration	EXDC	1

Silo Batching



	DESCRIPTION	CODE (example)	QTY
1	Weight indicator	DFWIECEX-BATCH1	1
2	Load cell	CPX5000	4
3	Mounting kit	KCPN10	4
4	Shielded cable	EXCB6	n **
5	Junction box	JB4QAI	1
6	Power supply	IECEXPW / IECEXPW24	1
7	Installation service	S6	1
8	Certificate	CCATEX-x	4
9	Declaration	EXDC	1

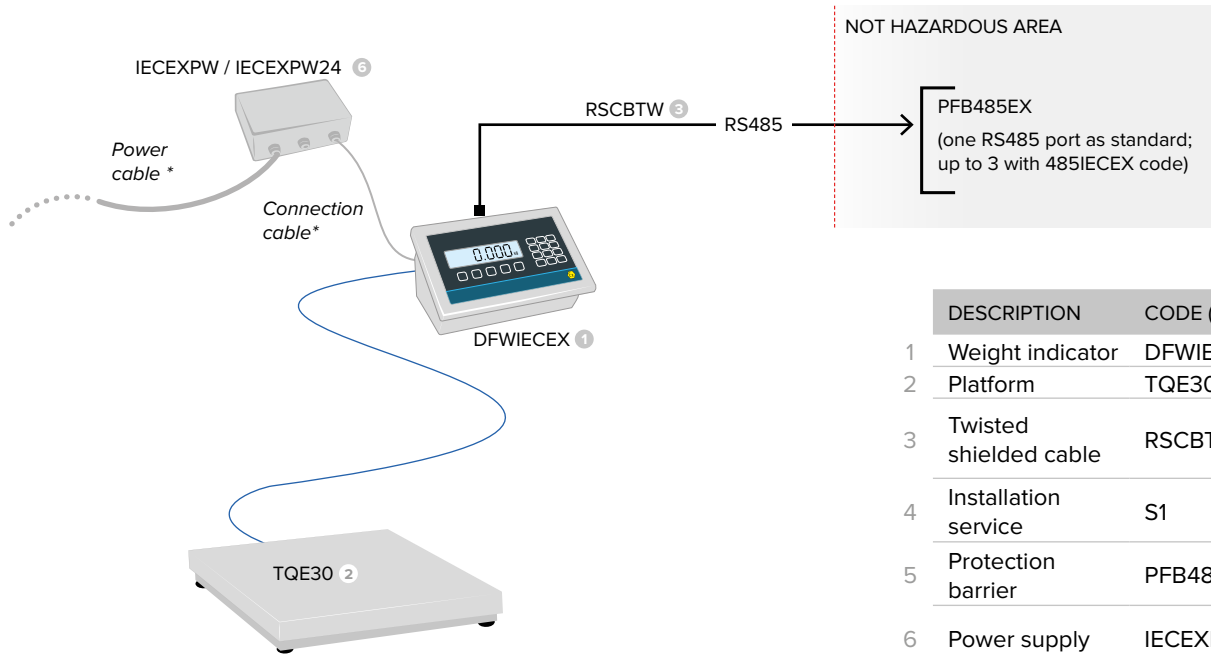
Cable Extension



	DESCRIPTION	CODE (example)	QTY
1	Junction box	JB1AI	1
2	Shielded cable	EXCB6	n **
3	Installation service	S6	1

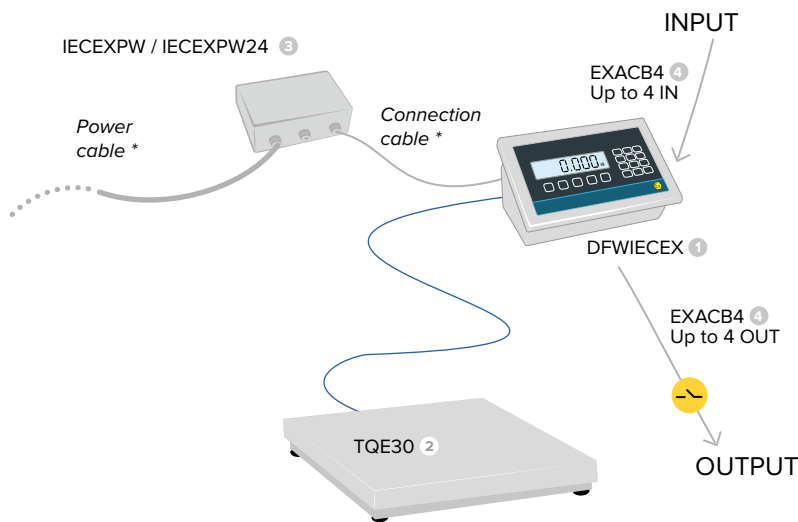
* These cables are provided as standard ** Up to 50 m

RS485 Communication



	DESCRIPTION	CODE (example)	QTY
1	Weight indicator	DFWIECEX	1
2	Platform	TQE30	1
3	Twisted shielded cable	RSCBTW	n ***
4	Installation service	S1	1
5	Protection barrier	PFB485EX	1
6	Power supply	IECEXPW / IECEXPW24	1
7	Installation service	S6	1
8	Certificate	CCATEX-x	1
9	Declaration	EXDC	1
10	Calibration	DINICAL	1
11	Approval	ECEM **	1

4 Inputs/4 Outputs



	DESCRIPTION	CODE (example)	QTY
1	Weight indicator	DFWIECEX	1
2	Platform	TQE30	1
3	Power supply	IECEXPW / IECEXPW24	1
4	Armoured cable	EXACB4 (INGRESSI e USCITE)	n ***
5	Installation service	S6	2
6	Card	IECEX4IN4OUT	1
7	Installation service	S3	1
8	Certificate	CCATEX-x	1
9	Declaration	EXDC	1
10	Calibration	DINICAL	1
11	Approval	ECEM **	1

* These cables are provided as standard ** Only for legal for trade approved version *** Number of meters of cable

Dini Argeo Dealer Network: Over 3500 Partners in More Than 130 Countries Across the World

“YOUR WORLDWIDE PARTNER
FOR WEIGHING”



A RICE LAKE WEIGHING SYSTEMS COMPANY

COMPANY HEADQUARTERS

Via Della Fisica, 20
41042 Spezzano di Fiorano Modena • Italy
Tel. +39.0536 843418

SERVICE ASSISTANCE

Via Dell'Elettronica, 15
41042 Spezzano di Fiorano Modena • Italy
Tel. +39.0536 921784

OTHER DINI ARGEO LOCATIONS

DINI ARGEO WEIGHING INSTRUMENTS Ltd
China

DINI ARGEO UK Ltd
United Kingdom

DINI ARGEO FRANCE sarl
France

DINI ARGEO GMBH
Germany

DINI ARGEO OCEANIA
Australia

WHY CHOOSE DINI ARGEO?



WORLDWIDE SERVICE AND SHIPPING

International group with offices in America, Europe, India, China, Mexico and Oceania, over 1100 employees and a network of specialised partners in 130 countries worldwide.



FAST SHIPPING

Dini Argeo always keeps complete systems in stock that can be shipped quickly.



MADE IN ITALY

Dini Argeo weighing solutions are made in Italy and guarantee the highest quality standards.

SALES SERVICE AND TECHNICAL ASSISTANCE

Mod **DFWIECEX-GEN**

P/N 
DFWIECEX-GEN

Sn 
NOSN


DFWIECEX-GEN/NOSN

Rev. 01.07.2024