

9103

Stainless Steel, Environmentally Sealed, NTEP Certified 1:10,000 Class III Multiple Cell, IP67



Picture is a representation of actual product

Approvals

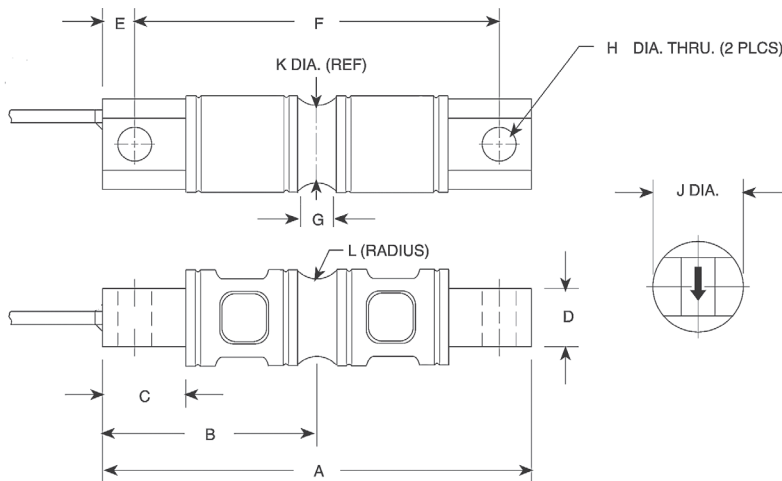


Order Information

Load Rating	Part #	Est. Weight	Price
NTEP Certified			
10,000 lb	17329	5 lb	Consult
20,000 lb	17330	5 lb	Consult
30,000 lb	17331	19 lb	Consult
40,000 lb	17332	19 lb	Consult
50,000 lb	17333	19 lb	Consult
60,000 lb	17334	19 lb	Consult
100,000 lb	17335	30 lb	Consult
Non-NTEP Certified			
5,000 lb	17328	5 lb	Consult
150,000 lb	17336	30 lb	Consult
Conduit Adapter Kit (must be factory installed to maintain warranty)			
3/8-24 to 1/4-18NPT	31534	1 lb	Consult
5/8-18UNF to 1/2-14 NPT	31535	1 lb	Consult

Dimensions

Rated Capacity	A	B	C	D	E	F	G	H	J	K	L
5,000 to 10,000 lb/in	8.12	4.06	1.44	1.12	0.62	6.88	0.62	0.66	1.70	1.48	0.50
20,000	8.12	4.06	1.44	1.12	0.62	6.88	0.84	0.66	1.95	1.48	0.50
30,000 to 60,000	10.25	5.12	1.88	2.37	0.88	8.50	1.00	1.06	3.00	2.73	1.00
100,000	11.25	5.62	1.88	2.50	0.88	9.50	1.00	1.06	3.50	3.24	1.50
150,000	11.25	5.62	1.88	2.80	0.88	9.50	1.25	1.06	3.90	3.64	1.50



Interchangeable Products

RICE LAKE WEIGHING SYSTEMS
RL70000SS
RL72020SS..... page 127

Weigh Module Available

RICE LAKE WEIGHING SYSTEMS
EZ Mount 1.....page 67

Specifications

- Full Scale Output:** 3.0 mV/V
- Output Resistance:** 700 (± 7) ohm
- Input Resistance:** 700 (± 7) ohm
- Material/Finish:** Stainless steel
- Temperature:** Compensated: 14 °F to 104 °F (-10 °C to 40 °C)
Operating: 0 °F to 150 °F (-18 °C to 65 °C)
- Seal Type:** Environmentally sealed, IP67
- Safe Overload:** 150% full scale
- Safe Sideload:** 100% full scale
- Rated Excitation:** 5 to 10 VDC (15 V maximum)
- Combined Error:** 0.03% full scale
- Non-repeatability:** 0.02% full scale
- Insulation Resistance:** 5,000 megohm
- Deflection at Capacity:** 5,000 lb: 0.02 in
10,000 lb: 0.025 in
20,000 lb: 0.042 in
30,000 to 50,000 lb: 0.02 in
60,000 lb: 0.025 in
100,000 to 150,000 lb: 0.02 in
- Cable Length:** 30 ft
- Cable Diameter:** 0.295 in
Polyurethane jacket
- Cable Color Code:** Red +Excitation
Black -Excitation
Green +Signal
White -Signal
- Warranty:** One-year limited
- Approvals:** cFMus
NTEP

VP® REVERSE