

Picture is a representation of actual product

### Approvals



Available upon request

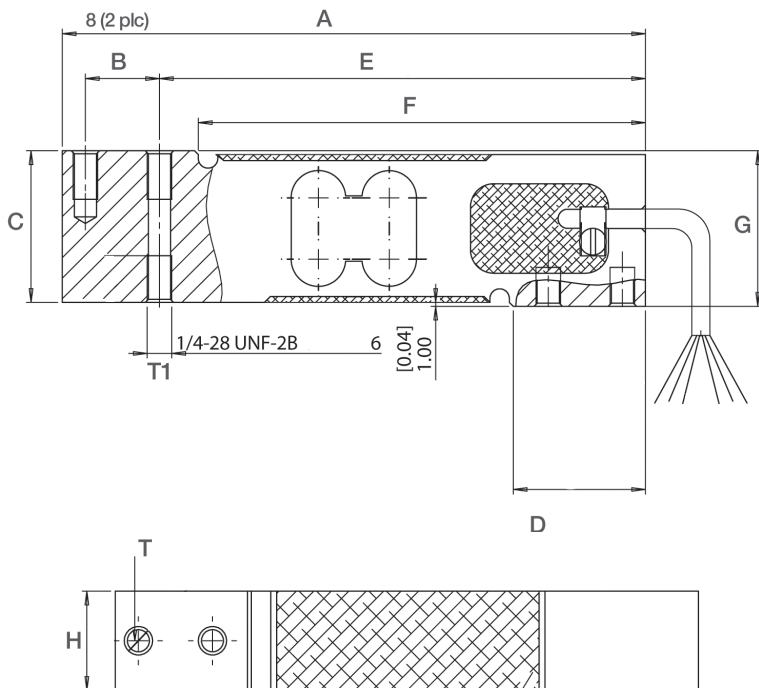
### Order Information

Load Rating	Part #	Est. Weight	Price
10 kg	156361	3 lb	Consult
15 kg	156362	3 lb	Consult
20 kg	156363	3 lb	Consult
30 kg	156364	3 lb	Consult
50 kg	156365	3 lb	Consult
100 kg	156367	3 lb	Consult
150 kg	157809	3 lb	Consult

Metric threads available as an option

### Dimensions

Rated Capacity	A	B	C	D	E	F	G	H	T	T1
kg/mm										
10 to 150	150.0	19.1	39.0	34.0	125.0	115.0	40.0	25.4	1/4-20 UNC	1/4-28 UNF



### Interchangeable Products

RICE LAKE WEIGHING SYSTEMS

RLPWM15..... page 156

HBK®\*

PW15..... page 229

\*Color code is different

### Specifications

**Full Scale Output:**

2.0 mV/V

**Output Resistance:**

351 (± 5.0) ohm

**Input Resistance:**

385 (± 10) ohm

**Material/Finish:**

Stainless steel

**Temperature:**

Compensated:

14 °F to 104 °F (-10 °C to 40 °C)

Operating:

0 °F to 150 °F (-18 °C to 65 °C)

**Seal Type:**

Environmentally sealed, IP66

**Safe Overload:**

150% full scale

**Rated Excitation:**

5 to 10 VDC nominal (15 V maximum)

**Combined Error:**

0.02% full scale

**Insulation Resistance:**

2,000 megohm

**Deflection at Capacity:**

0.015 in

**Cable Length:**

10 ft

**Cable Diameter:**

0.200 in PVC Jacket

**Cable Color Code:**

Green +Excitation

Black -Excitation

Red +Signal

White -Signal

Blue +Sense

Brown -Sense

**Max Platform Size:**

16 × 16 in

**Warranty:**

One-year limited

**Approvals:**

cFMus

NTEP

OIML (Available upon request)