



2025 ANIMAL WEIGHING

Scales for Veterinary and Animal Health Facilities



RICE LAKE[®]
WEIGHING SYSTEMS

800-472-6703
www.ricelake.com



Customer Service

Rice Lake is relied upon throughout the world for delivering the highest standard of product along with the best service in the weighing industry. Knowledgeable customer service representatives are available by phone, email and live chat on www.ricelake.com, Monday through Friday from 6:30 a.m. to 6:30 p.m. Central Time. Emergency scale support is available 24/7/365.

Contact Information

Toll Free USA:
800-472-6703

Telephone:
715-234-9171

Toll Free Canada/Mexico:
800-321-6703

24-hour Fax:
715-234-6967

Email:
orderdesk@ricelake.com

Website:
www.ricelake.com

Rice Lake Weighing Systems' History of Quality and Support

Since 1946, Rice Lake has been manufacturing and distributing weight-related products and supplies. A global leader in measurement and weight-based solutions, Rice Lake's roots have been planted firmly in the principles of quality and customer service through three generations of family ownership.

To review our terms and conditions, please visit

www.ricelake.com

**Shipping weights and dimensions for products recommended to ship via LTL do not include pallet weight or pallet dimensions unless noted.*

A standard LTL delivery is considered to be one that ships from either a company or partner dock to arrival at a standard commercial address with disposition of the goods at the rear of the truck to enable off loading by material handling equipment provided by the consignee at either ground level or via loading dock. Allied to this, the freight in question should be palletized and secured in a way to facilitate the safe handling of the freight with no one dimension over seven feet, six inches.

Any LTL delivery falling outside of this criteria may well accrue accessorial charges levied by the carrier in line with their tariff rules. It is recommended that any potential accessorial costs are discussed at the time of order placement so that these costs can be billed appropriately at the time of shipment. If this is not the case, Rice Lake Weighing Systems reserves the right to charge the customer retrospectively for any accessorial costs incurred during the delivery process.

TRADEMARKS

The following product names, logos, brands and other trademarks featured or referred to within this publication are the property of their respective trademark holders.

Healthweigh®

Motiontrap™

Rice Lake Weighing Systems®

CALIFORNIA PROPOSITION 65 RICE LAKE WEIGHING SYSTEMS STATEMENT

Proposition 65 requires businesses to inform Californians about exposures to chemicals that are listed by the State of California as known to cause cancer, birth defects or other reproductive harm. There are over 900 different chemicals listed under Proposition 65 and more chemicals are listed by the State of California each year. These chemicals may be in the products you purchase, or you may be exposed to them at home, at the workplace or within the environment. Proposition 65 enables Californians to make informed purchasing decisions about products that can expose you to these chemicals even in minute or trace amounts. California's Proposition 65 is a California only law.

Rice Lake Weighing Systems provides Proposition 65 warnings on the packaging of the products it sells that may require a warning in an abundance of caution. All of Rice Lake's products are safe for their intended use. We are providing this warning based on the knowledge that one or more chemicals included in the

California Proposition 65 list is present in Rice Lake Weighing Systems products even if only in trace or minute amounts. To the extent that customers repackage any Rice Lake products they have sole responsibility for ensuring that the Rice Lake Proposition 65 warning is provided if the repackaged product is sold in California. Any Rice Lake customer who repackages a Rice Lake product but does not include the Rice Lake Proposition 65 warning that is included on the Rice Lake packaging agrees to defend and indemnify Rice Lake by counsel of its choice if a claim is asserted against Rice Lake based on the failure to provide a Proposition 65 warning on the repackaged product. The Rice Lake terms and conditions prevail over any conflicting terms in customer's purchase documentation and customer's order and receipt of Rice Lake Products is deemed acceptance of Rice Lake's terms and conditions. More information about California's Proposition 65 can be found at www.P65Warnings.ca.gov.



Table of Contents

CUSTOMER ASSISTANCE

Companion Animal Scales

Rice Lake OS-10/OS-25/OS-45	4
Rice Lake VS-10	5
Rice Lake VS-11	6
Rice Lake VS-12	7
Rice Lake VS-20	8
Rice Lake VS-36	9
Rice Lake VS-34	10
Rice Lake VS-30	11
Rice Lake VS-35	12
Rice Lake VS-31	13

Large Animal Scales

Rice Lake VS-33	14
Rice Lake VS-37	15
Rice Lake VS-40	17
RoughDeck® SLV	18
RoughDeck® EQ	20

Farm / Ranch Scales

Farm Bars.....	22
<i>With 380 Indicator</i>	
Farm Bars.....	23
<i>Without Instrumentation</i>	
Farm Bars.....	24
<i>Dimensions</i>	

Small Animal / Laboratory Scales

TA Plus.....	25
Equipoise® Series	26
TC Series	27
TS Series Washdown.....	28
Calibration Weights.....	29

Rice Lake OS-10/OS-25/OS-45

Suspended Scale

COMPANION
ANIMAL SCALES



Carrying case



Sturdy steel
closed loop s-hook
for safety



Standard Features

- Hold function
- Units of measure: lb/lb-oz/kg
- Adjustable automatic shut-off
- Ergonomic handheld design
- Battery operated, two AA batteries (included)
- Carrying case and top s-hook (included)
- Captured lower hook, removable upper hook (both hooks included)

Specifications

Capacity:

OS-10:

- 22 lb × 0.02 lb
- 22 lb × 0.25 oz
- 10 kg × 0.01 kg

OS-25:

- 55 lb × 0.05 lb
- 55 lb × 0.5 oz
- 25 kg × 0.02 kg

OS-45:

- 99 lb × 0.1 lb
- 99 lb × 1 oz
- 45 kg × 0.05 kg

Power:

Two AA batteries (included)

Temperature:

Operating:
32 °F to 104 °F (0 °C to 40 °C)

Warranty:

One-year limited

Approvals:

CE Approved

Approvals

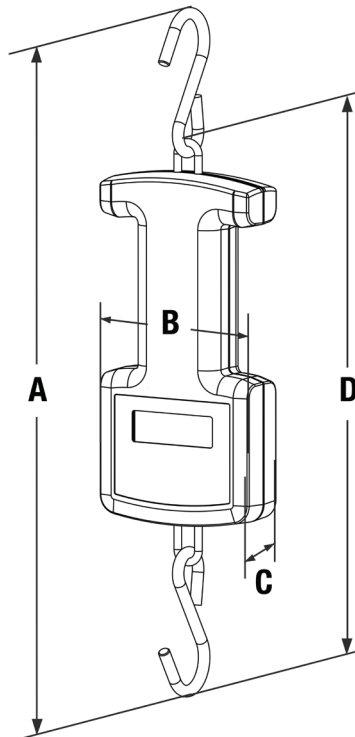


Part Number/Price

Part #	Model	Capacity	Est. Weight	Price
130292	OS-10	10 × 0.01 kg (22 × 0.02 lb) (22 lb × 1/4 oz)	1.25 lb	Consult
130293	OS-25	25 × 0.02 kg (55 × 0.05 lb) (55 lb × 1/2 oz)	1.25 lb	Consult
130294	OS-45	45 × 0.05 kg (99 × 0.1 lb) (99 lb × 1 oz)	1.25 lb	Consult

Dimensions

	Inches	Centimeters
A	14.30	36.3
B	3.60	9.1
C	1.30	3.3
D	11.60	29.5



Rice Lake VS-10

COMPANION
ANIMAL SCALES



Standard Features

- Large 1-inch LCD display
- Unit of measure locking
- Recall function to view last weight
- Automatic shut-off for long battery life

Specifications

- Capacity:**
44 lb × 0.5 oz (20 kg × 10 g)
- Power:**
Four AA alkaline batteries (included) or AC adapter (included)
- Battery Type:**
Four AA alkaline (included)
- Measuring Tape:**
0 to 22.5 in (0 to 57 cm)
- Approvals:**
AC adapter: cULus
- Warranty:**
Two-year limited

Part Number/Price

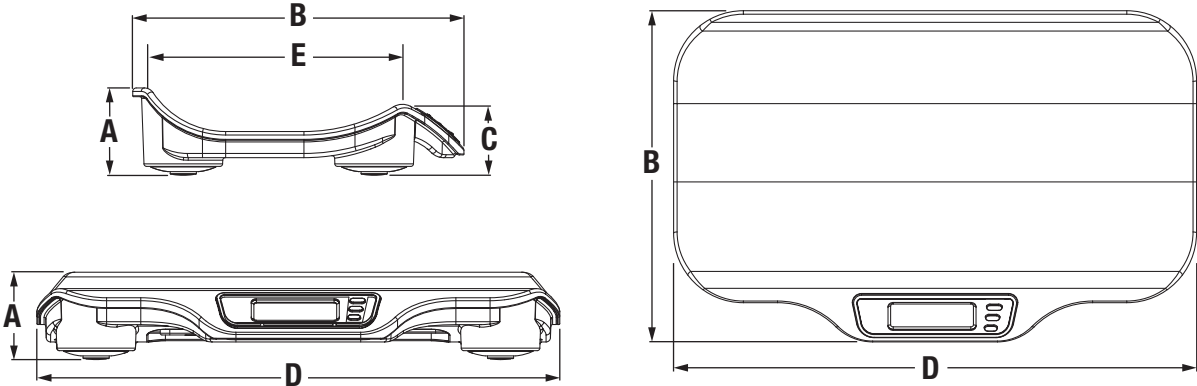
Part #	Model #	Capacity	Price
204394	Rice Lake VS-10	44 lb × 0.5 oz (20 kg × 10 g), includes 120 VAC adapter	Consult

Shipping Weight

Part #	Model #	L (in)	W (in)	H (in)	Package Wgt. (lb)	Dim Wgt. (lb)	Shipping Wgt. (lb)
204394	Rice Lake VS-10	27	18	7	10	21	21

Dimensions

	Inches	Centimeters
A	3.90	9.9
B	15.00	38.1
C	3.10	7.8
D	23.60	59.9
E	11.00	27.9



Rice Lake VS-11



DUAL RANGE

Standard Features

- Large 1-inch LCD display
- Dual-range capacity for increased precision
- Accuracy within 5 g
- Unit of measure locking
- Recall function to view last weight
- Automatic shut-off for long battery life
- Built-in measuring tape

Specifications

Capacity:
 0 to 22 lb × 0.2 oz (0 to 10 kg × 5 g)
 22 to 44 lb × 0.5 oz (10 to 20 kg × 10 g)

Power:
 Four AA alkaline batteries (included)
 or AC adapter (included)

Battery Type:
 Four AA alkaline (included)

Measuring Tape:
 0 to 22.5 in (0 to 57 cm)

Approvals:
 AC adapter: cULus

Warranty:
 Two-year limited

COMPANION
ANIMAL SCALES

Part Number/Price

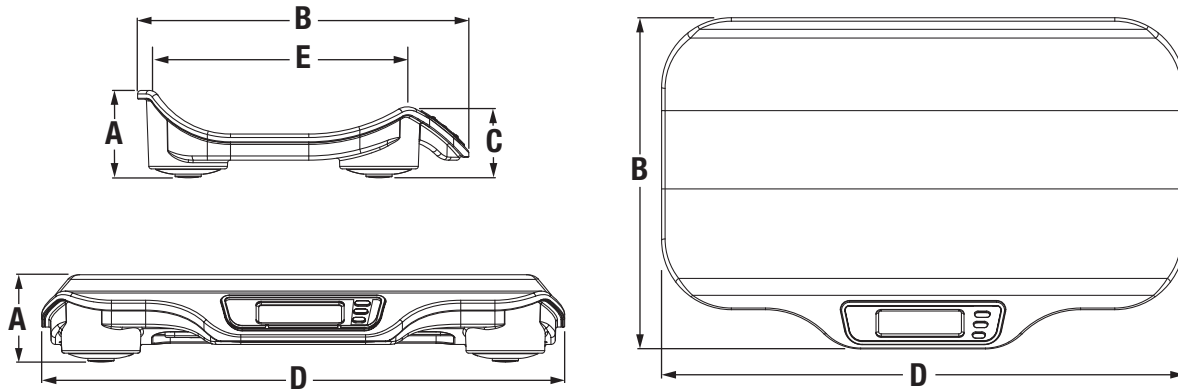
Part #	Model #	Capacity	Price
204395	Rice Lake VS-11	0 to 22 lb × 0.2 oz, 22 to 44 lb × 0.5 oz (0 to 10 kg × 5 g, 10 to 20 kg × 10 g) includes 120 VAC adapter	Consult

Shipping Weight

Part #	Model #	L (in)	W (in)	H (in)	Package Wgt. (lb)	Dim Wgt. (lb)	Shipping Wgt. (lb)
204395	Rice Lake VS-11	27	18	7	10	21	21

Dimensions

	Inches	Centimeters
A	3.90	9.9
B	15.00	38.1
C	3.10	7.8
D	23.60	59.9
E	11.00	27.9



Rice Lake VS-12

DUAL RANGE



Standard Features

- LCD display
- Dual-range capacity for increased precision
- Unit of measure locking
- Automatic shut-off for long battery life
- Motiontrap™ movement compensation technology
- Built-in measuring tape

Specifications

Capacity:

Range 1: 0 to 10 lb × 0.05 oz
(0 to 5 kg × 1 g)
Range 2: 10 to 33 lb × 0.1 oz
(5 to 15 kg × 2 g)

Power:

12 VDC, provided by six AA lithium batteries (included) or AC adapter (optional)

Battery Type:

Six Li-FeS₂ batteries

Temperature:

Operating:
50 °F to 95 °F (14 °C to 35 °C)

Display:

5-digit LCD display, 0.75 in (1.9 cm) digit height

Approvals:

c-Met E113986

Warranty:

Two-year limited

Approvals



Part Number/Price

Part #	Model #	Capacity	Price
204398	Rice Lake VS-12	0 to 10 lb × 0.05 oz, 10 to 33 lb × 0.1 oz (0 to 5 kg × 1 g, 5 to 15 kg × 2 g) 120V/230V	Consult

Shipping Weight

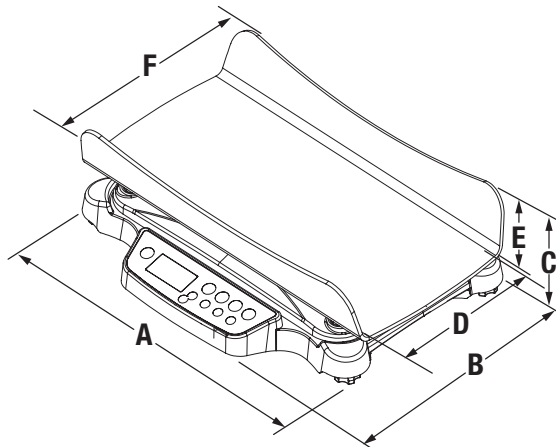
Part #	Model #	L (in)	W (in)	H (in)	Package Wgt. (lb)	Dim Wgt. (lb)	Shipping Wgt. (lb)
204398	Rice Lake VS-12	18	28	11	25	40	40

Options/Accessories

Part #	Description	Price
165138	AC adapter, input voltage 100 to 240 V, c-Met, medical grade	Consult

Dimensions

	Inches	Centimeters
A	23.94	60.8
B	16.95	43.1
C	6.29	16.0
D	10.50	26.7
E	3.11	7.9
F	13.34	33.9



COMPANION ANIMAL SCALES

Rice Lake VS-20

COMPANION
ANIMAL SCALES



Standard Features

- Push-button LCD display
- Large, stable scale base
- Nonslip rubber mat, removable for cleaning
- Unit of measure toggle or locking
- Motiontrap™ movement compensation technology
- USB communication
- Hold function
- Tare function
- Factory calibrated

Specifications

Capacity:

550 × 0.2 lb (250 × 0.1 kg)

Power:

9 VDC, provided by six AA alkaline batteries (included) or AC adapter (optional)

Battery Type:

Six AA alkaline (included)

Battery Use:

25 hours continuous use with batteries
Automatic power-off can be configured

Temperature:

Operating:
50 °F to 104 °F (10 °C to 40 °C)

Display:

5-digit LCD display, 0.75 in (1.9 cm) digit height

Warranty:

Two-year limited

Part Number/Price

Part #	Model #	Capacity	Price
Consult	Rice Lake VS-20	550 × 0.2 lb (250 kg × 0.1 kg) with USB	Consult

Shipping Weight

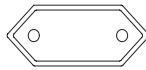
Part #	Model #	L (in)	W (in)	H (in)	Package Wgt. (lb)	Dim Wgt. (lb)	Shipping Wgt. (lb)
Consult	Rice Lake VS-20	12.7	22.4	14.7	25	37	37

Options/Accessories

Part #	Description	Price
133077 †	9 VDC adapter, 120 V/230 V auto switching	Consult
102508 ††	9 VDC adapter, 230 V	Consult
81076	Epson TM-U220 tape printer	Consult
186830	Printer cable, 25-pin D-Sub male to RJ-45, 6 ft	Consult



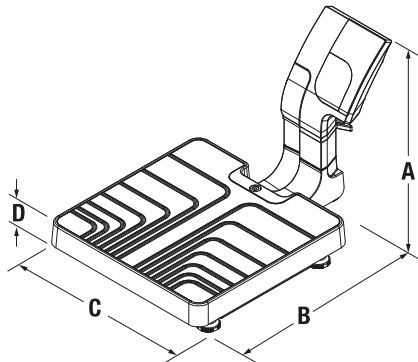
† NEMA 1-15 Plug



†† CEE 7/16 Plug

Dimensions

	Inches	Centimeters
A	12.70	32.3
B	22.40	56.9
C	14.70	37.4
D	3.00	7.6



NONSLIP METAL PLATFORM



Standard Features

- Large LCD display
- Antimicrobial keypad
- Two wheels for portability
- Dual ramp
- Nonslip platform
- Motiontrap™ movement compensation technology
- Unit of measure toggle or locking
- Serial and USB data communication port
- Tare function
- Hold function
- Factory calibrated
- Easy to store, folded depth is 11.75 in (29.8 cm)

Specifications

Capacity:

1,000 × 0.2 lb (450 × 0.1 kg)

Platform Dimensions:

(L × W × H)
29.50 × 31.50 × 3.15 in

Power:

9 VDC, provided by six AA alkaline batteries (included) or AC adapter (optional)

Battery Type:

Six AA alkaline (included)

Battery Use:

25 hours continuous use with batteries
Automatic power-off can be configured

Display:

5-digit LCD display, 0.75 in (1.9 cm) digit height

Temperature:

Operating:
50 °F to 104 °F (14 °C to 40 °C)

Warranty:

Two-year limited

Part Number/Price

Part #	Model #	Capacity	Price
204403	Rice Lake VS-36	1,000 × 0.2 lb (450 × 0.1 kg)	Consult

Shipping Weight

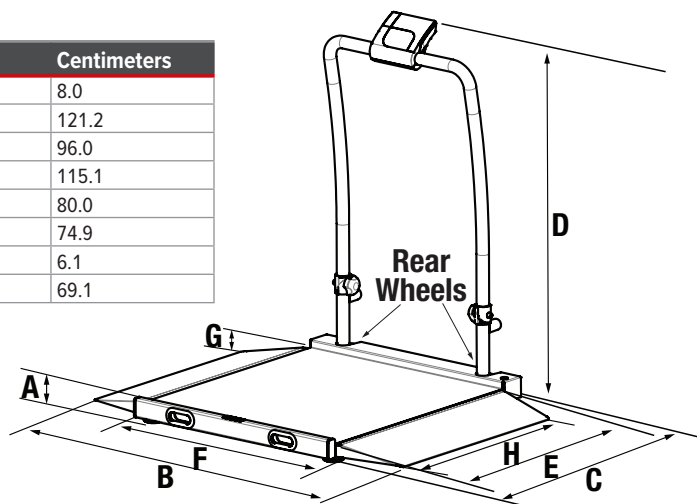
Part #	Model #	L (in)	W (in)	H (in)	Package Wgt. (lb)	Dim Wgt. (lb)	Shipping Wgt. (lb)
204403	Rice Lake VS-36	51	42	14	102	216	216

Options/Accessories

Part #	Description	Price
79074	Cable, USB 6 ft USB-A (male) to USB-B (male)	Consult
217091	Cable, Communication DB9 (female) to RJ45 (male), 4 conductor	Consult
186830	Cable, RS232 scale to printer, 6 ft, 25-pin D-Sub (male) to RJ45	Consult

Dimensions

	Inches	Centimeters
A	3.15	8.0
B	47.70	121.2
C	37.80	96.0
D	45.30	115.1
E	31.50	80.0
F	29.50	74.9
G	2.40	6.1
H	27.20	69.1



Rice Lake VS-36 in folded position

COMPANION ANIMAL SCALES

Rice Lake VS-34

COMPANION
ANIMAL SCALES



PLASTIC/POLYMER
TOP

Standard Features

- Large LCD display
- Antimicrobial keypad
- Two wheels for portability
- Single ramp
- Nonslip platform
- Motiontrap™ movement compensation technology
- Unit of measure toggle or locking
- Serial and USB communication port
- Tare function
- Hold function
- Factory calibrated
- Easy to store, folded depth is 11.75 in (29.8 cm)

Specifications

Capacity:

1,000 × 0.2 lb (450 × 0.1 kg)

Platform Dimensions Without Ramps:

(L × W × H)

29.50 × 32.00 × 2.40 in

Power:

9 VDC, provided by six AA alkaline batteries (included) or AC adapter (optional)

Battery Type:

Six AA alkaline (included)

Battery Use:

25 hours continuous use with batteries
Automatic power-off can be configured

Display:

5-digit LCD display, 0.75 in (1.9 cm) digit height

Temperature:

Operating:
50 °F to 104 °F (14 °C to 40 °C)

Warranty:

Two-year limited

Part Number/Price

Part #	Model #	Capacity	Price
204405	Rice Lake VS-34	1,000 × 0.2 lb (450 kg × 0.1 kg) with USB	Consult

Shipping Weight

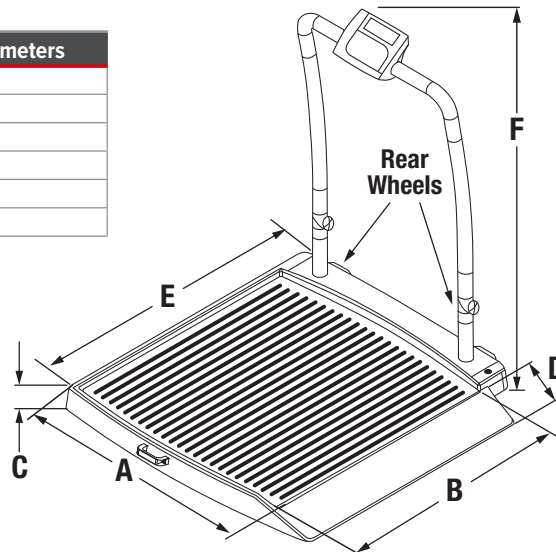
Part #	Model #	L (in)	W (in)	H (in)	Package Wgt. (lb)	Dim Wgt. (lb)	Shipping Wgt. (lb)
204405	Rice Lake VS-34	42	41	14	90	174	174

Options/Accessories

Part #	Description	Price
220767	Heavy-duty mat	Consult
79074	Cable, USB 6 ft USB-A (male) to USB-B (male)	Consult
217091	Cable, Communication DB9 (female) to RJ45 (male), 4 conductor	Consult
186830	Cable, RS232 scale to printer, 6 ft, 25-pin D-Sub (male) to RJ45	Consult

Dimensions

	Inches	Centimeters
A	29.50	74.9
B	32.00	81.3
C	2.40	6.1
D	9.30	23.6
E	37.50	95.3
F	45.00	114.3



Rice Lake VS-34
in folded position



Optional heavy-duty mat

Rice Lake VS-30



PLASTIC/POLYMER TOP

Standard Features

- Large LCD display
- Antimicrobial keypad
- Two wheels for portability
- Single ramp
- Nonslip platform
- Motiontrap™ movement compensation technology
- Unit of measure toggle or locking
- Serial and USB data communication port
- Tare function
- Hold function
- Factory calibrated

Specifications

Capacity:

1,000 × 0.2 lb (450 × 0.1 kg)

Platform Dimensions Without Ramps:

(L × W × H)
29.50 × 32.00 × 2.40 in

Power:

9 VDC, provided by six AA alkaline batteries (included) or AC adapter (optional)

Battery Type:

Six AA alkaline (included)

Battery Use:

25 hours continuous use with batteries
Automatic power-off can be configured

Temperature:

Operating:
50 °F to 104 °F (14 °C to 40 °C)

Cable Length:

7 ft (2.1 m) cable between scale base and indicator

Display:

5-digit LCD display, 0.75 in (1.9 cm) digit height

Warranty:

Two-year limited

COMPANION
ANIMAL SCALES

Part Number/Price

Part #	Model #	Capacity	Price
204396	Rice Lake VS-30	1,000 × 0.2 lb (450 × 0.1 kg) with USB	Consult

Shipping Weight

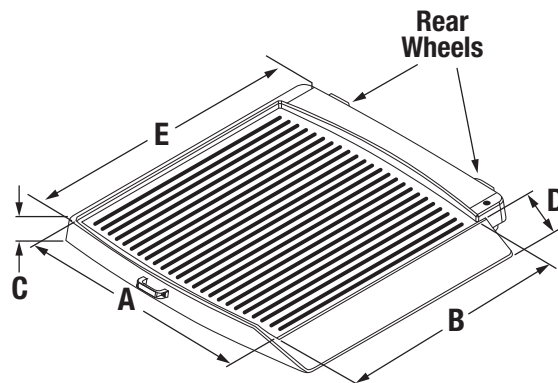
Part #	Model #	L (in)	W (in)	H (in)	Package Wgt. (lb)	Dim Wgt. (lb)	Shipping Wgt. (lb)
204396	Rice Lake VS-30	45	44	7	78	100	100

Options/Accessories

Part #	Description	Price
220767	Heavy-duty mat	Consult
79074	Cable, USB 6 ft USB-A (male) to USB-B (male)	Consult
217091	Cable, Communication DB9 (female) to RJ45 (male), 4 conductor	Consult
186830	Cable, RS232 scale to printer, 6 ft, 25-pin D-Sub (male) to RJ45	Consult

Dimensions

	Inches	Centimeters
A	29.50	74.9
B	32.00	81.3
C	2.40	6.1
D	9.30	23.6
E	37.50	95.3



Optional heavy-duty mat

Rice Lake VS-35

COMPANION
ANIMAL SCALES



PLASTIC/POLYMER
TOP

Standard Features

- Large LCD display
- Antimicrobial keypad
- Two wheels for portability
- Dual ramp
- Nonslip platform
- Motiontrap™ movement compensation technology
- Unit of measure toggle or locking
- Serial and USB communication port
- Tare function
- Hold function
- Factory calibrated
- Easy to store, folded depth is 11.75 in (29.8 cm)

Specifications

Capacity:

1,000 × 0.2 lb (450 × 0.1 kg)

Platform Dimensions Without Ramps:

(L × W × H)

29.50 × 32.00 × 2.40 in

Power:

9 VDC, provided by six AA alkaline batteries (included) or AC adapter (optional)

Battery Type:

Six AA alkaline (included)

Battery Use:

25 hours continuous use with batteries
Automatic power-off can be configured

Display:

5-digit LCD display, 0.75 in (1.9 cm) digit height

Temperature:

Operating:
50 °F to 104 °F (14 °C to 40 °C)

Warranty:

Two-year limited

Part Number/Price

Part #	Model #	Capacity	Price
204404	Rice Lake VS-35	1,000 lb × 0.2 lb (450 kg × 0.1 kg) with USB	Consult

Shipping Weight

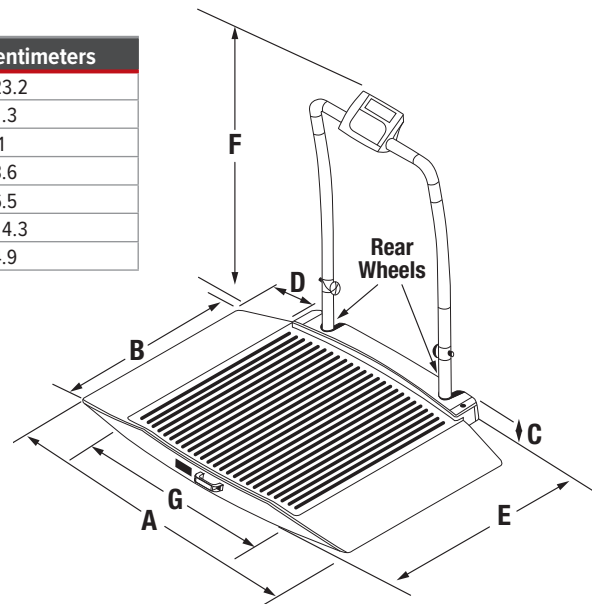
Part #	Model #	L (in)	W (in)	H (in)	Package Wgt. (lb)	Dim Wgt. (lb)	Shipping Wgt. (lb)
204404	Rice Lake VS-35	51	42	14	102	216	216

Options/Accessories

Part #	Description	Price
220767	Heavy-duty mat	Consult
79074	Cable, USB 6 ft USB-A (male) to USB-B (male)	Consult
217091	Cable, Communication DB9 (female) to RJ45 (male), 4 conductor	Consult
186830	Cable, RS232 scale to printer, 6 ft, 25-pin D-Sub (male) to RJ45	Consult

Dimensions

	Inches	Centimeters
A	48.50	123.2
B	32.00	81.3
C	2.40	6.1
D	9.30	23.6
E	38.00	96.5
F	45.00	114.3
G	29.50	74.9



Optional heavy-duty mat

Rice Lake VS-31



Standard Features

- Large LCD display
- Large 1-inch LCD display
- Two wheels for portability
- Dual ramp
- Motiontrap™ movement compensation technology
- Unit of measure toggle or locking
- Serial and USB communication port
- Tare function
- Hold function
- Factory calibrated

Specifications

Capacity:
1,000 × 0.2 lb (450 × 0.1 kg)

Platform Dimensions Without Ramps:
(L × W × H)
29.50 × 32.00 × 2.40 in

Power:
9 VDC, provided by six AA alkaline batteries (included) or AC adapter (optional)

Battery Type:
Six AA alkaline (included)

Battery Use:
25 hours continuous use with batteries
Automatic power-off can be configured

Temperature:
Operating:
50 °F to 104 °F (14 °C to 40 °C)

Cable Length:
7 ft (2.1 m) cable between scale base and indicator

Display:
5-digit LCD display, 0.75 in (1.9 cm) digit height

Warranty:
Two-year limited

COMPANION ANIMAL SCALES

Part Number/Price

Part #	Model #	Capacity	Price
204397	Rice Lake VS-31	1,000 × 0.2 lb (450 × 0.1 kg) with USB	Consult

Shipping Weight

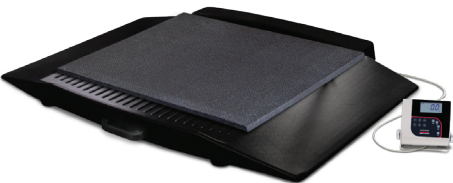
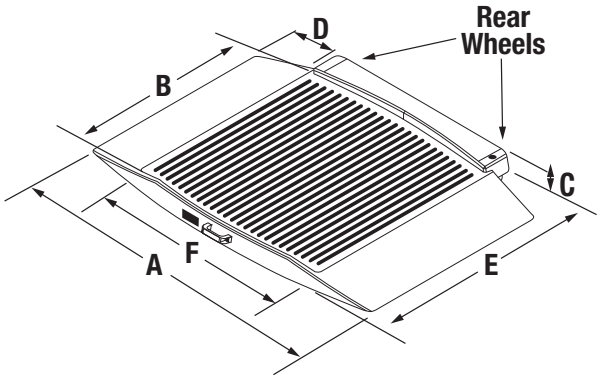
Part #	Model #	L (in)	W (in)	H (in)	Package Wgt. (lb)	Dim Wgt. (lb)	Shipping Wgt. (lb)
204397	Rice Lake VS-31	53	45	7	86	121	121

Options/Accessories

Part #	Description	Price
220767	Heavy-duty mat	Consult
79074	Cable, USB 6 ft USB-A (male) to USB-B (male)	Consult
217091	Cable, Communication DB9 (female) to RJ45 (male), 4 conductor	Consult
186830	Cable, RS232 scale to printer, 6 ft, 25-pin D-Sub (male) to RJ45	Consult

Dimensions

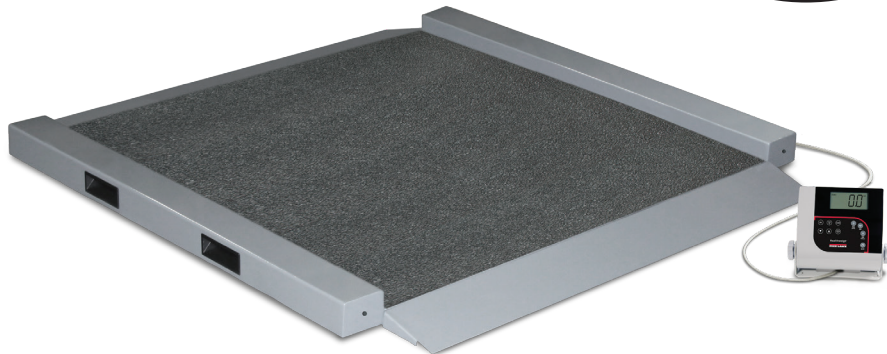
	Inches	Centimeters
A	48.50	123.2
B	32.00	81.3
C	2.40	6.1
D	9.30	23.6
E	38.00	96.5
F	29.50	74.9



Optional heavy-duty mat

Rice Lake VS-33

34 INCHES WIDE



Standard Features

- Large LCD display
- Antimicrobial keypad
- Integrated handles and wheels for easy transport
- Dual ramp
- Large, stable scale base
- Metal nonslip platform
- Unit of measure toggle or locking
- Motiontrap™ movement compensation technology
- Serial and USB data communication port
- Tare function
- Hold function
- Factory calibrated

Specifications

Capacity:

1,000 × 0.2 lb (450 × 0.1 kg)

Platform Dimensions Without Ramps:

(L × W × H)

34.00 × 34.00 × 2.20 in

Power:

9 VDC, provided by six AA alkaline batteries (included) or AC adapter (optional)

Battery Type:

Six AA alkaline (included)

Battery Use:

25 hours continuous use with batteries
Automatic power-off can be configured

Temperature:

Operating:
50 °F to 104 °F (14 °C to 40° C)

Cable Length:

9 ft (2.7 m) cable between scale base and indicator

Display:

5-digit LCD display, 0.75 in (1.9 cm) digit height

Warranty:

Two-year limited

Part Number/Price

Part #	Model #	Capacity	Price
204400	Rice Lake VS-33 Double Ramp	1,000 × 0.2 lb (450 × 0.1 kg) with USB	Consult

Shipping Weight

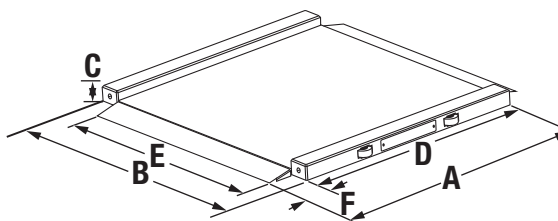
Part #	Model #	L (in)	W (in)	H (in)	Package Wgt. (lb)	Dim Wgt. (lb)	Shipping Wgt. (lb)
204400	Rice Lake VS-33 Double Ramp	43	43	11	162	147	162

Options/Accessories

Part #	Description	Price
79074	Cable, USB 6 ft USB-A (male) to USB-B (male)	Consult
217091	Cable, Communication DB9 (female) to RJ45 (male), 4 conductor	Consult
186830	Cable, RS232 scale to printer, 6 ft, 25-pin D-Sub (male) to RJ45	Consult

Dimensions

	Inches	Centimeters
A	41.00	104.1
B	40.00	101.6
C	2.20	5.6
D	34.00	86.4
E	34.00	86.4
F	3.70	9.4



LARGE ANIMAL
SCALES

Rice Lake VS-37



Wall mounted indicator,
cable enclosed in
customer supplied conduit

Standard Features

- Package includes scale, pit frame, handrail and indicator
- Large 1-inch LCD display
- Antimicrobial keypad
- Heavy-duty mild steel construction
- Unit of measure toggle or locking
- Motiontrap™ movement compensation technology
- Serial and USB communication port
- Tare function
- Hold function
- Factory calibrated

Specifications

Capacity:

1,000 × 0.2 lb (450 × 0.1 kg)

Platform Dimensions:

(L × W × H)

36.00 × 36.00 × 3.00 in

Power:

9 VDC, provided by six AA alkaline batteries (included) or AC adapter (optional)

Battery Type:

Six AA alkaline (included)

Battery Use:

25 hours continuous use with batteries
Automatic power-off can be configured

Display:

5-digit LCD display, 0.75 in (1.9 cm) digit height

Temperature:

Operating:
50 °F to 104 °F (14 °C to 40 °C)

Warranty:

Two-year limited

Part Number/Price

Part #	Model #	Capacity	Price
204402	Rice Lake VS-37	1,000 × 0.2 lb (450 × 0.1 kg) with USB	Consult

Shipping Weight

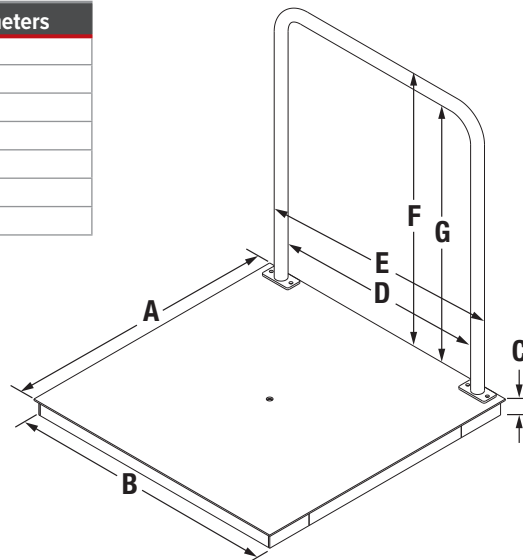
Part #	Model #	L (in)	W (in)	H (in)	Package Wgt. (lb)	Dim Wgt. (lb)	Shipping Wgt. (lb)
204402	Rice Lake VS-37	40	39	15	246	169	246

Options/Accessories

Part #	Description	Price
79074	Cable, USB 6 ft USB-A (male) to USB-B (male)	Consult
217091	Cable, Communication DB9 (female) to RJ45 (male), 4 conductor	Consult
186830	Cable, RS232 scale to printer, 6 ft, 25-pin D-Sub (male) to RJ45	Consult

Dimensions

	Inches	Centimeters
A	36.00	91.4
B	36.00	91.4
C	3.00	7.6
D	28.50	72.4
E	31.50	80.0
F	37.00	94.0
G	35.50	90.2



LARGE ANIMAL
SCALES

Rice Lake VS-37

Pit Frame Concrete Details

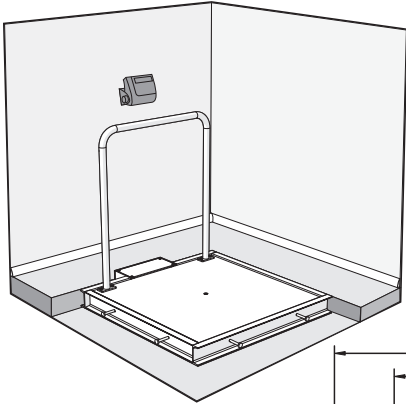
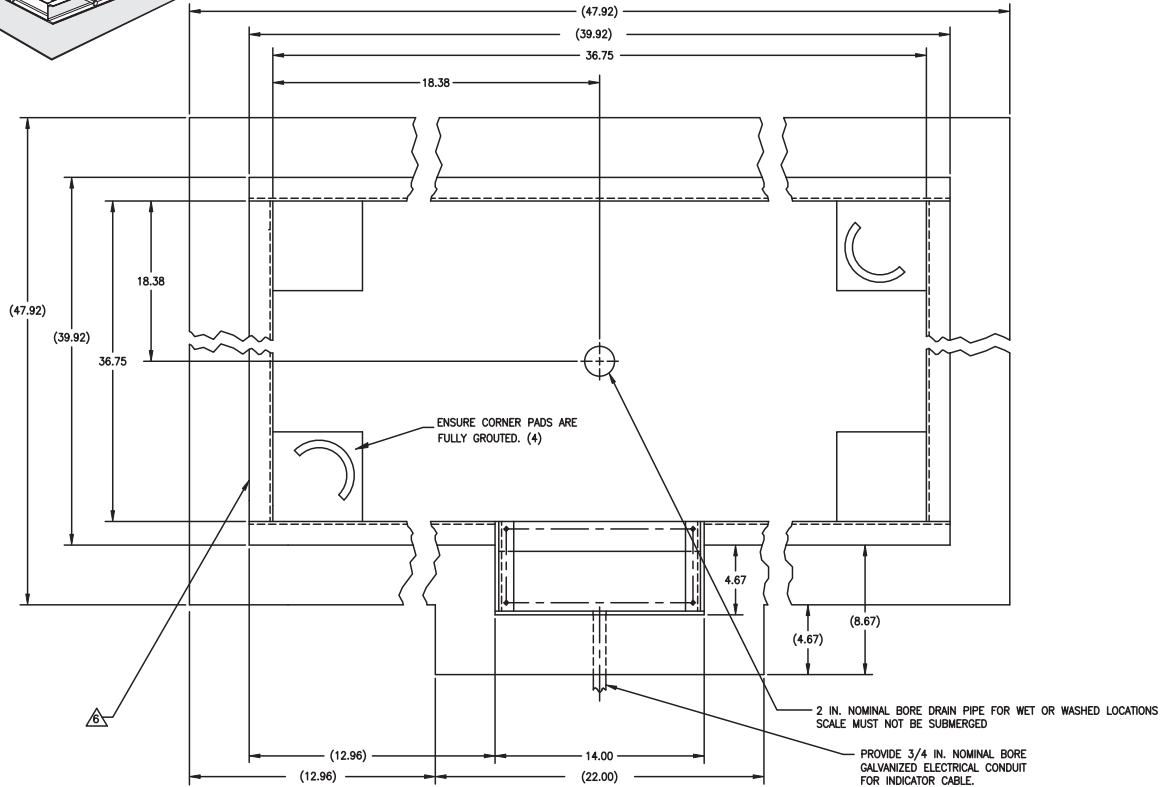
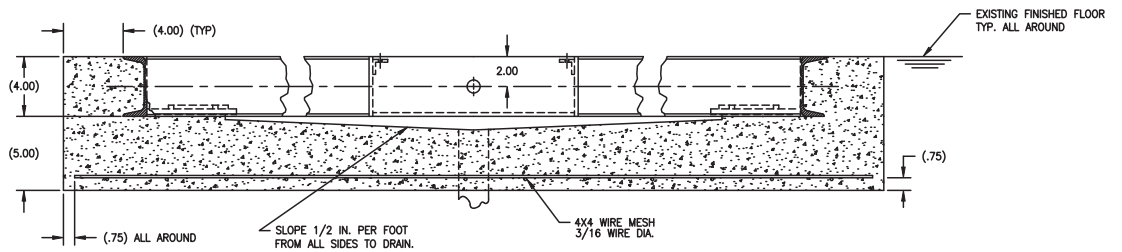


Image illustrates pit frame exposed to show detail.



NOTE: HANDRAIL ON SCALE WILL MOUNT ON SAME SIDE AS JUNCTION BOX POCKET



NOTE:

1. USE CONCRETE OF MINIMUM YIELD STRENGTH 5000 PSI OR 6-BAG MIX.
2. ALLOW 7 DAYS TO CURE. WET CONCRETE PERIODICALLY DURING THIS TIME.
3. DIMENSIONS SHOWN ASSUME FIRM, STABLE SOIL CONDITIONS. WHEN SOIL CONDITIONS ARE NOT ADEQUATE, PLACE FOUNDATION AT SUFFICIENT DEPTH.
4. IN WET OR WASHDOWN APPLICATIONS WE RECOMMEND THE USE OF HERMETICALLY SEALED LOAD CELLS, AND THAT THE JUNCTION BOX BE MOUNTED REMOTELY IN A DRY LOCATION.
5. WIRE MESH TO HAVE MINIMUM .75 COVER BOTTOM AND SIDES.

ON STAINLESS STEEL VERSIONS, TWO PIECES OF 2 INCH ANGLE WILL BE SUBSTITUTED FOR THE 4 INCH CHANNEL.

LARGE ANIMAL SCALES



Standard Features

- Push-button LCD display
- Antimicrobial keypad
- Two wheels for portability
- Dual ramp
- Metal nonslip platform
- Motiontrap™ movement compensation technology
- Unit of measure toggle or locking
- Serial and USB communication ports
- Tare function
- Hold function
- Factory calibrated

Specifications

Capacity:

1,000 × 0.2 lb (450 × 0.1 kg)

Platform Dimensions Without Ramps:

(L × W × H)
49.30 × 32.70 × 2.60 in

Platform Dimensions with Wheels and Ramps:

(L × W × H)
63.80 × 32.70 × 2.60 in

Power:

9 VDC, provided by six AA alkaline batteries (included) or AC adapter (optional)

Battery Type:

Six AA alkaline (included)

Battery Use:

25 hours continuous use with batteries
Automatic power-off can be configured

Display:

5-digit LCD display, 0.75 in (1.9 cm) digit height

Cable Length:

7 ft (2.1 m) cable between scale base and indicator

Temperature:

Operating:
50 °F to 104 °F (10 °C to 40 °C)

Warranty:

Two-year limited

Part Number/Price

Part #	Model #	Capacity	Price
204407	Rice Lake VS-40	1,000 × 0.2 lb (450 × 0.1 kg)	Consult

Shipping Weight

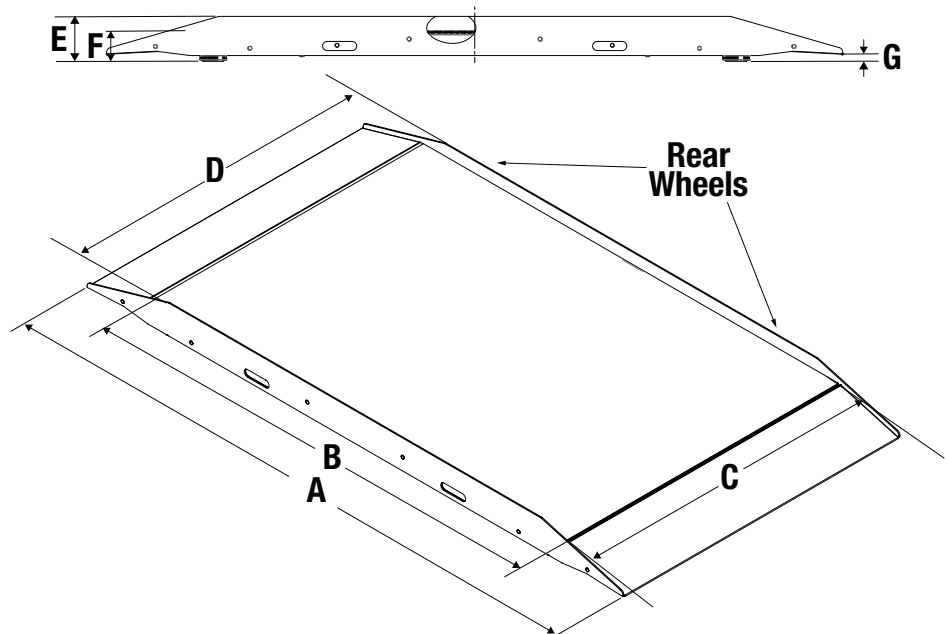
Part #	Model #	L (in)	W (in)	H (in)	Package Wgt. (lb)	Dim Wgt. (lb)	Shipping Wgt. (lb)
204407	Rice Lake VS-40	67.2	36	6	154	104	154

Options/Accessories

Part #	Description	Price
79074	Cable, USB 6 ft USB-A (male) to USB-B (male)	Consult
217091	Cable, Communication DB9 (female) to RJ45 (male), 4 conductor	Consult
186830	Cable, RS232 scale to printer, 6 ft, 25-pin D-Sub (male) to RJ45	Consult

Dimensions

	Inches	Centimeters
A	63.80	162.1
B	49.30	125.2
C	32.70	83.1
D	32.90	83.6
E	3.90	9.9
F	2.60	6.7
G	0.55	1.4



LARGE ANIMAL
SCALES

RoughDeck® SLV

Single Animal Livestock Scale



Standard Features

- Mild steel construction
- Rugged diamond safety treadplate deck
- Rigid structural steel channel frame
- NEMA Type 4X stainless steel side-access junction box without quick connector
- Signal trim summing board
- Four adjustable stainless steel SUREFOOT™ support feet
- SURVIVOR® EL147HE hostile environment load cell cable
- Four alloy steel load cells

Specifications

Full Scale Capacity:
4,000 lb, 1 lb increments

End Load Capacity:
125% full scale

Cable Length:
20 ft (6 m)

Warranty:
Two-year limited (scale only)

Approvals:
NTEP 92-001 Class III 4,000d

Capacity not to exceed 4,000 lb x 1 lb and platform size not to exceed 32 sq ft

Approvals



Part Number/Price

Part #	Capacity	Outside Dimensions	Est. Weight	Price
103617	4,000 lb, 20 ft without Quick Connect, modified to fit gate and rack (scale platform only)	8 × 3 ft	565 lb	\$3,500.00
78452	4,000 lb, 20 ft without Quick Connect (gate and rack not included) (scale platform only)	8 × 3 ft	565 lb	\$3,500.00
103619	4,000 lb, 20 ft without Quick Connect, modified to fit gate and rack (scale platform only)	8 × 4 ft	750 lb	\$3,600.00
78453	4,000 lb, 20 ft without Quick Connect (gate and rack not included) (scale platform only)	8 × 4 ft	750 lb	\$3,600.00
RoughDeck SLV 4,000 lb Bundle Package (Ships Assembled)				
226205	Scale Pkg, 3 × 8 ft scale, 4,000 lb capacity with racks, swing gates and kick plates, 380 Synergy indicator, factory calibrated prior to shipping with 1 lb increments	8 × 3 ft	1,200 lb	\$6,500.00
226206	Scale Pkg, 3 × 8 ft scale, 4,000 lb capacity with sliding gate, deck, racks, gates, and kick plates, 380 Synergy indicator, factory calibrated prior to shipping with 1 lb increments	8 × 3 ft	1,310 lb	\$9,200.00
226207	Scale Pkg, 4 × 8 ft scale, 4,000 lb capacity with racks, swing gates and kick plates, 380 Synergy indicator, calibrated prior to shipping with 1 lb increments	8 × 4 ft	1,500 lb	\$7,100.00
226209	Scale Pkg, 4 × 8 ft scale, 4,000 lb capacity with sliding gate, deck, racks, gates and kick plates, 380 Synergy factory calibrated prior to shipping with 1 lb increments	8 × 4 ft	1,610 lb	\$9,800.00

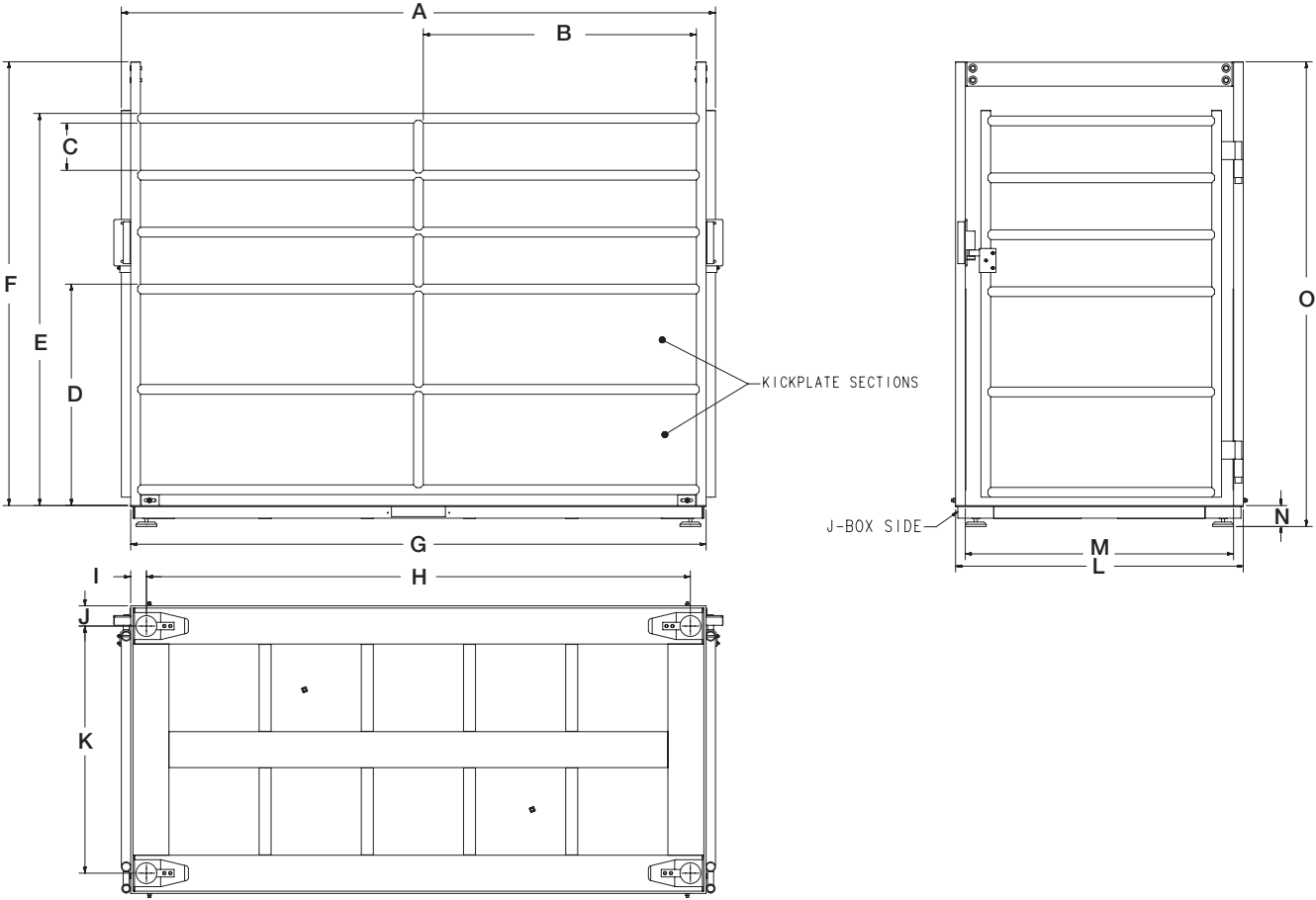
Options/Accessories

Part #	Description	Price
Consult	Smooth deck instead of diamond safety tread plate	N/C
Consult	Stainless steel load cells (RL32018S IP66) and hardware	\$120.00 list price add-on
Consult	Stainless steel hermetically sealed load cells (RL32218S-HE IP69K) and hardware	\$440.00 list price add-on
Consult	Angle iron bolted to scale for wood deck provisions (wood to be supplied by customer)	\$225.00
Consult	Rubber mat	Consult
226036	380 universal segmented LCD display, battery powered, Synergy Series with 4-pin quick connect ag scale cable	\$765.00
18777	Floor anchor plates, mild steel (set of 2)	\$38.00
18778	Floor anchor plates, stainless steel (set of 2)	\$50.00

LARGE ANIMAL
SCALES

RoughDeck® SLV

Single Animal Livestock Scale



LARGE ANIMAL SCALES

Dimensions

RoughDeck SLV			
3 × 8 ft			
A	99.12 in	I	2.63 in
B	45.56 in	J	3.38 in
C	7.88 in	K	29.25 in
D	36.95 in	L	36.00 in
E	65.45 in	M	32.75 in
F	74.00 in	N	3.50 in
G	95.00 in	O	77.58 in
H	90.75 in		
4 × 8 ft			
A	99.12 in	I	2.63 in
B	45.56 in	J	3.38 in
C	7.88 in	K	41.25 in
D	36.95 in	L	48.00 in
E	65.45 in	M	44.75 in
F	74.00 in	N	3.50 in
G	95.00 in	O	77.58 in
H	90.75 in		

RoughDeck® EQ

Equine Floor Scale and Indicator Package



Standard Features

- Package includes 4 ft × 6 ft × 4.25 in floor scale with stall mat, 20 ft of SURVIVOR EL147HE hostile environment load cell cable and indicator
- Mat thickness 0.75 in

Scale

- Heavy-duty design with structural steel channel frame
- Stall mat to reduce noise and instill equine comfort
- Four adjustable stainless steel SUREFOOT™ support feet
- Powder-coated black matte finish

Indicator

- LCD backlit display for a variety of environments
- Battery backed time and date
- Communication ports for connecting to a variety of peripherals

RoughDeck EQ Specifications

End Load Capacity:

100% full scale at 2,500 lb

Load Cells:

Model RL32018 alloy steel environmentally sealed IP66

Junction Box:

Side access, TuffSeal JB4SS stainless steel, NEMA Type 4X with a signal card

Feet:

Stainless steel SUREFOOT, adjustable (+0.25 in or -0.125 in) for leveling the scale

Finish:

Powder coat painted, black matte

Cable Length:

20 ft (6.1 m) for connecting scale junction box to indicator

Threaded Eyebolt:

One lifting hole located in center of scale for easy install (requires 1/2-20NF eyebolt, not included)

Warranty:

Two-year limited

482 Specifications

Power:

Line voltages: 100 to 240 VAC
Frequency: 50/60 Hz
DC voltages: n/a

Communication Ports:

Com 1: RS-232 full duplex
Com 2: RS-232 full duplex or 20 mA simplex, continuous
Both ports 1200, 2400, 4800, 9600, 19200, 38400 baud seven or eight data bits, even, odd or no parity

Optional Ethernet and USB Board:

USB five-pin header for PC, printer or flash drive
Ethernet TCP/IP, RJ45 jack, server and client ports

Display:

LCD backlit, transmissive/ transfective, 0.8 in (20 mm), six-digit, seven-segment

Annunciators:

Gross, net, center of zero, standstill, lb, kg, tare, preset tare

Keys/Buttons:

Flat membrane panel, embossed keys, tactile feel

Rating/Material:

NEMA Type 4X/IP66
Stainless steel

Approvals:

NTEP 12-123
Measurement Canada AM-5892C
CE
cULus

Part Number/Price

Part #	Size (W × L × H)	Capacity	Est. Weight	Price
RoughDeck EQ Floor Scale with 482 Indicator				
207811	4 ft × 6 ft × 4.25 in	2,500 × 0.5 lb	610 lb	\$3,670.00

Note: Height includes stall mat

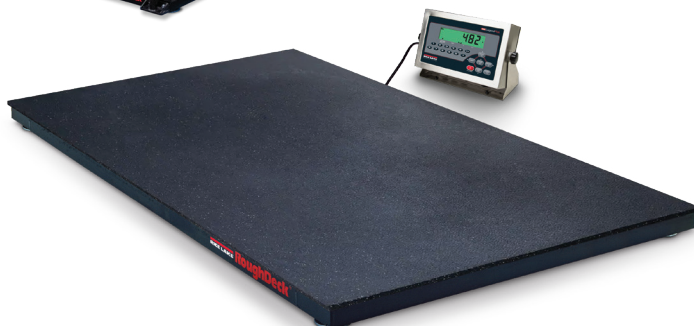
Options/Accessories

Part #	Description	Price
Consult	Access ramps	+ Consult list price add-on
Consult	Smooth deck instead of diamond safety tread plate	N/C
12839*	50 lb cast iron calibration weights	\$160.00
207812	Guide rail, 5.66 ft long × 4.36 ft high, field installable, black matte finish	+\$295.00 list price add-on
18777	Floor anchor plates	\$38.00
Consult	Hermetically sealed load cells	Consult

*Quantity of 5 weights is recommended for 10% of capacity.



RoughDeck EQ with two optional guide rails installed



LARGE ANIMAL SCALES

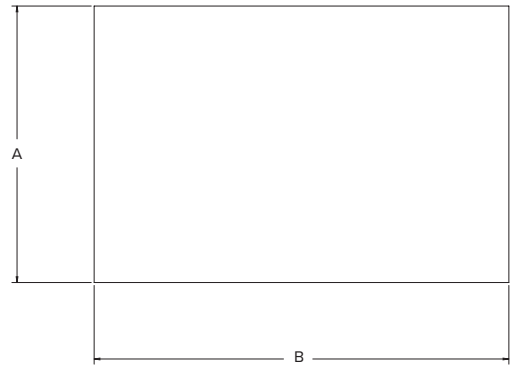
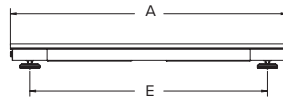
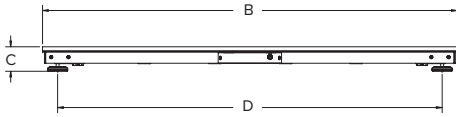
RoughDeck® EQ

Equine Floor Scale and Indicator Package

Dimensions

4 ft × 6 ft × 4.25 in with No Optional Guide Rail

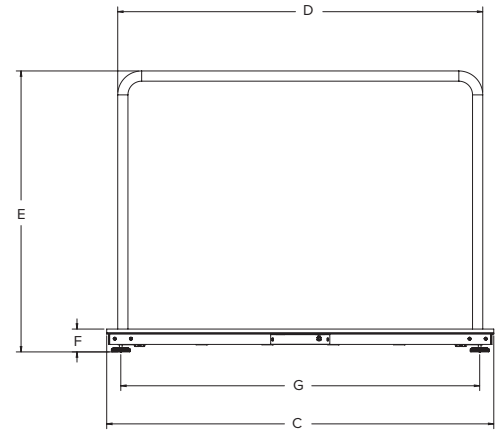
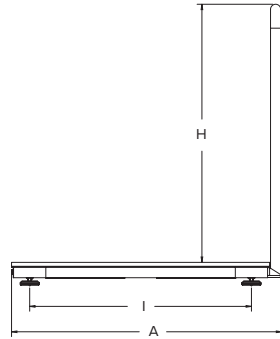
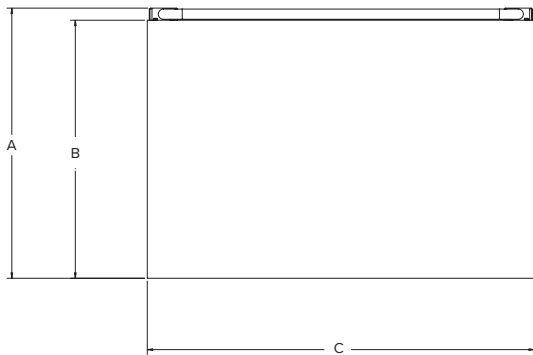
A	48.00 in	D	66.76 in
B	72.00 in	E	41.25 in
C	4.25 in		



Dimensions

4 ft × 6 ft × 4.25 in with One Optional Guide Rail

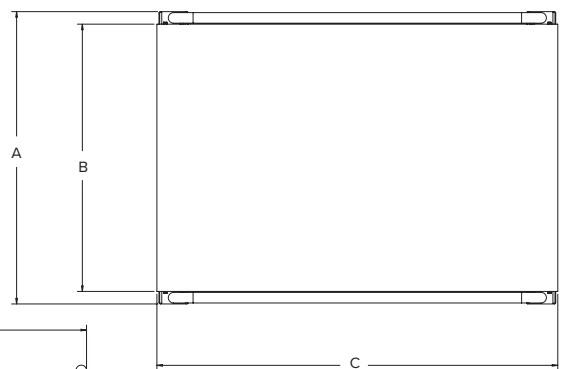
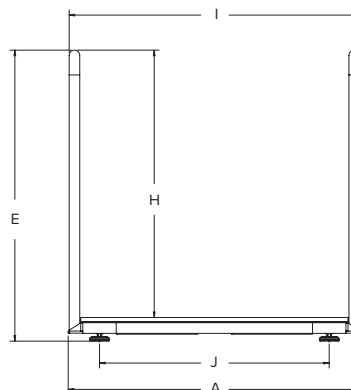
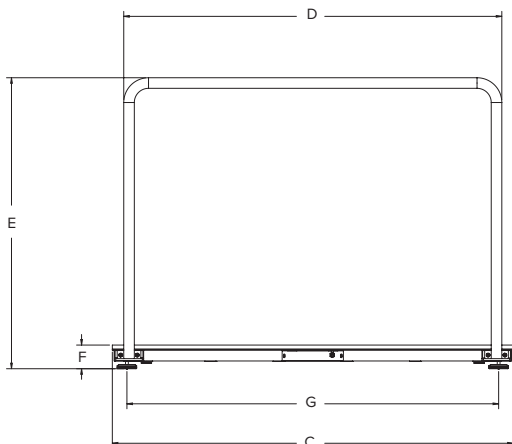
A	50.25 in	F	4.25 in
B	48.00 in	G	66.76 in
C	72.00 in	H	48.00 in
D	67.90 in	I	41.25 in
E	52.26 in		



Dimensions

4 ft × 6 ft × 4.25 in with Two Optional Guide Rails

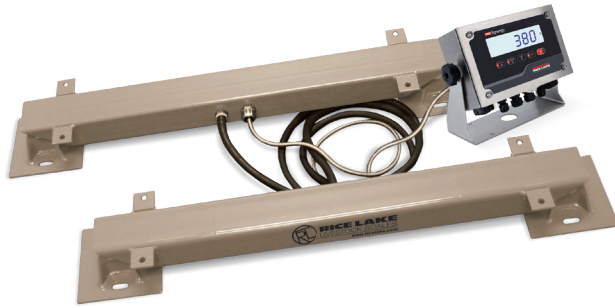
A	50.25 in	F	4.25 in
B	48.00 in	G	66.76 in
C	72.00 in	H	48.00 in
D	67.90 in	I	52.15 in
E	52.26 in	J	41.25 in



LARGE ANIMAL
SCALES

Farm Bars

With 380 Indicator



Part Number/Price

Part #	Description	Est. Weight	Price
With 380 Indicator			
2,500 lb Capacity			
214517	2,500U 22 – Farm Bar Kit, 22 in with 380, 2,500 capacity, square pads	98 lb	\$3,600.00
5,000 lb Capacity			
214518	5,000U 26 – Farm Bar Kit, 26 in with 380, 5,000 capacity, square pads	117 lb	\$4,100.00
214519	5,000U 33 – Farm Bar Kit, 33 in with 380, 5,000 capacity, square pads	123 lb	\$4,100.00
214520	5,000U 36 – Farm Bar Kit, 36 in with 380, 5,000 capacity, square pads	128 lb	\$4,100.00
214521	5,000U 40 – Farm Bar Kit, 40 in with 380, 5,000 capacity, square pads	134 lb	\$4,100.00
214522	5,000U 44 – Farm Bar Kit, 44 in with 380, 5,000 capacity, square pads	140 lb	\$4,100.00
214523	5,000U 48 – Farm Bar Kit, 48 in with 380, 5,000 capacity, square pads	146 lb	\$3,800.00
10,000 lb Capacity			
214524	10,000U 32 – Farm Bar Kit, 32 in with 380, 10,000 capacity, square pads	152 lb	\$5,100.00
214525	10,000U 36 – Farm Bar Kit, 36 in with 380, 10,000 capacity, square pads	152 lb	\$5,100.00
214526	10,000U 48 – Farm Bar Kit, 48 in with 380, 10,000 capacity, square pads	175 lb	\$5,100.00
214527	10,000U 60 – Farm Bar Kit, 60 in with 380, 10,000 capacity, square pads	210 lb	\$5,100.00
214528	10,000U 72 – Farm Bar Kit, 72 in with 380, 10,000 capacity, square pads	230 lb	\$5,100.00

Options/Accessories

Part #	Description	Price
159788	Extension cable, farm bar, 10 ft long	\$260.00
127556	Home run cable, 12 ft long, 4-pin male to blunt end, for indicator	\$120.00
202711	380 Universal Segmented LCD Display, Battery Powered	\$685.00
206433	Power supply, 12 V 6 W	\$54.00
23113	Printer TM-U295	\$685.00
71630	Scale tickets, 500/pack	\$60.00
15547	Blunt end to DB25, RS-232 cable for printer to indicator	\$70.00

Standard Features

- Indicator cable length 12 ft
- 3 ft ArmorGuard cable included
- Kit includes 380 Synergy Series digital weight indicator powered by four C-cell batteries (not included)
- Factory calibrated when sold with instrumentation
- Capacities from 2,500 to 10,000 lb
- Non-Legal for Trade

Farm Bar Specifications

Safe Overload:

150%

Full Scale Output:

3 mv/V nominal

Output is standardized for each model of load bar, consult factory for details

Maximum Excitation:

15 VDC

Nonlinearity:

0.02% full scale

Hysteresis:

0.02% full scale

Bridge Resistance:

350 ohm

Temperature:

-40 °F to 111 °F (-40 °C to 44 °C)

Cable Configuration:

8 ft between bars and 12 ft for the indicator

Warranty:

Two-year limited

380 Specifications

Power:

Batteries: Four alkaline C-cell (not included)
Optional: 115/230 VAC to 12 VDC adapter

Battery Life:

100 hours with 1 × 350 ohm load cell, no backlight

Communication Ports:

One RS-232 (three-wire)
One USB 2.0

Annunciators:

g, lb, t, tn, kg, oz, battery level, PT, LT, gross, zero, unstable, net

Display:

Six 1 in (25 mm) tall, LCD digits

Keys/Buttons:

5 tactile buttons

Rating/Material:

IP66
Stainless steel

Approvals:

NTEP 21-051
Measurement Canada AM-6184
CE
cULus

Farm Bars

Without Instrumentation



Standard Features

- 3 ft ArmorGuard cable included
- Capacities from 2,500 to 10,000 lb
- Non-Legal for Trade

Specifications

Safe Overload:

150%

Full Scale Output:

3 mv/V nominal

Output is standardized for each model of load bar, consult factory for details

Maximum Excitation:

15 VDC

Nonlinearity:

0.02% full scale

Hysteresis:

0.02% full scale

Bridge Resistance:

350 ohm

Temperature:

-40 °F to 111 °F (-40 °C to 44 °C)

Cable Configuration:

8 ft between bars and 12 ft for the indicator

Warranty:

Two-year limited

Part Number/Price

Part #	Description	Est. Weight	Price
2,500 lb Capacity			
152016	2,500 lb 22 – Farm Bar set, with square pads	92 lb	\$3,300.00
5,000 lb Capacity			
152018	5,000 lb 26 – Farm Bar set, with square pads	111 lb	\$3,700.00
152019	5,000 lb 33 – Farm Bar set, with square pads	117 lb	\$3,700.00
152020	5,000 lb 36 – Farm Bar set, with square pads	122 lb	\$3,700.00
152021	5,000 lb 40 – Farm Bar set, with square pads	128 lb	\$3,700.00
152022	5,000 lb 44 – Farm Bar set, with square pads	134 lb	\$3,700.00
152023	5,000 lb 48 – Farm Bar set, with square pads	140 lb	\$3,700.00
10,000 lb Capacity			
185437	10,000 lb 32 – Farm Bar set, with square pads	146 lb	\$4,600.00
152024	10,000 lb 36 – Farm Bar set, with square pads	146 lb	\$4,600.00
152025	10,000 lb 48 – Farm Bar set, with square pads	169 lb	\$4,600.00
152026	10,000 lb 60 – Farm Bar set, with square pads	204 lb	\$4,600.00
152027	10,000 lb 72 – Farm Bar set, with square pads	224 lb	\$4,600.00

Options/Accessories

Part #	Description	Price
159788	Extension cable, farm bar, 10 ft long	\$260.00
127556	Home run cable, 12 ft long, 4-pin male to blunt end, for indicator	\$120.00
202711	380 Universal Segmented LCD Display, Battery Powered	\$685.00
23113	Printer TM-U295	\$685.00
71630	Scale tickets, 500/pack	\$60.00
15547	Blunt end to DB25, RS-232 cable for printer to indicator	\$70.00
206433	Power supply, 12 V 6 W	\$54.00

Farm Bars

Dimensions

Dimensions

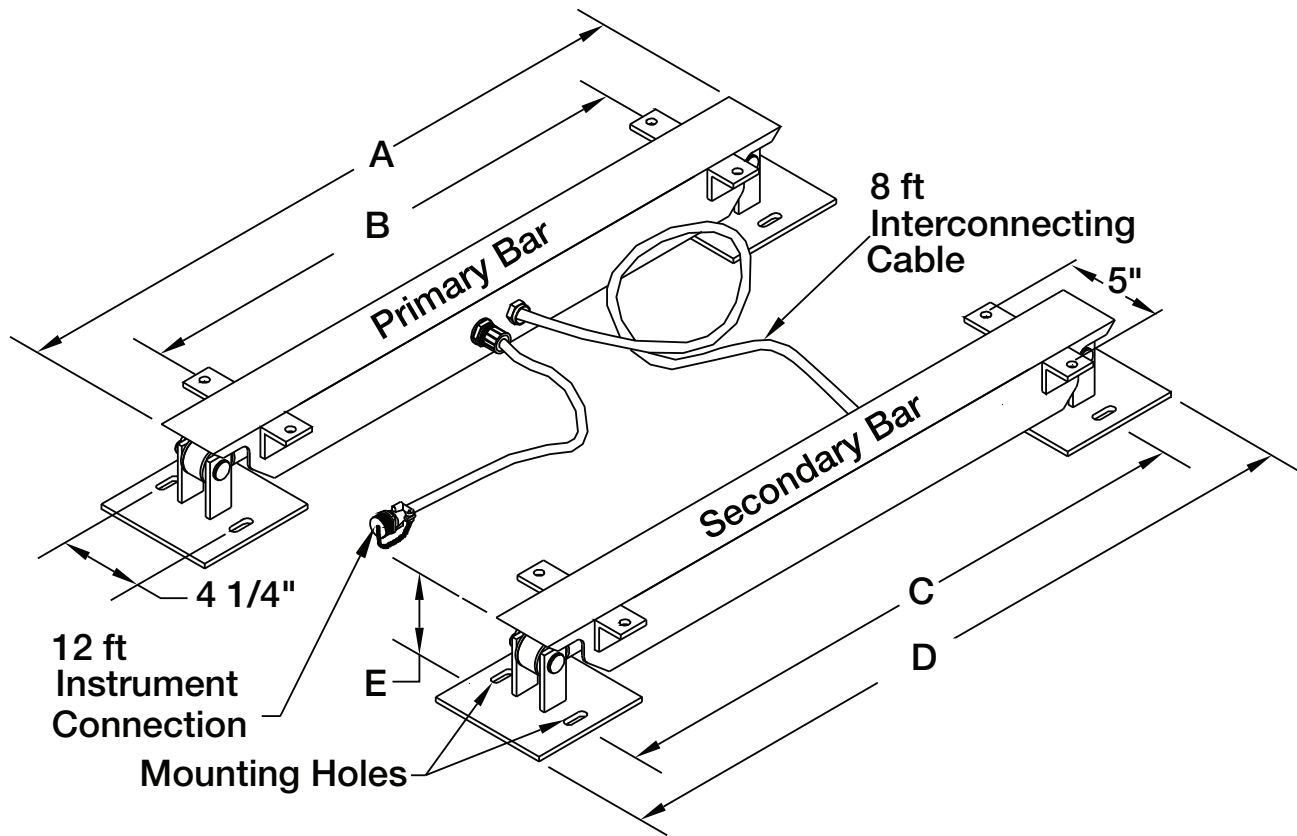
Farm Bar 2,500U				
A	B*	C	D*	E
22.00 in	15.00 in	19.75 in	25.75 in	4.00 in

Farm Bar 5,000U				
A	B*	C	D*	E
26.00 in	19.00 in	23.75 in	29.75 in	4.00 in
33.00 in	26.00 in	30.75 in	36.75 in	4.00 in
36.00 in	29.00 in	33.75 in	39.75 in	4.00 in
40.00 in	33.00 in	37.75 in	43.75 in	4.00 in
44.00 in	37.00 in	41.75 in	47.75 in	4.00 in
48.00 in	41.00 in	45.75 in	51.75 in	4.00 in

Farm Bar 10,000U				
A	B*	C	D*	E
32.00 in	25.00 in	29.75 in	35.75 in	4.00 in
36.00 in	29.00 in	33.75 in	39.75 in	4.00 in
48.00 in	41.00 in	45.75 in	51.75 in	4.00 in
60.00 in	53.00 in	57.75 in	63.75 in	4.00 in
72.00 in	65.00 in	69.75 in	75.75 in	4.00 in

* B equals dimension A less 7 inches

* D equals dimension C plus 6 inches



Standard Features

- Mono-metal tuning fork sensor (MMTS) provides quick response and stability
- Internal adjustment weight
- Anti-electrostatic 360° transparent windshield
- Eight-digit, 16.5 mm high liquid crystal display (LCD) with backlight
- Single-touch response setting for environment
- 40-step bar graph display
- RS-232 interface for connecting to printer or PC
- ISO/GLP/GMP compliant printing record
- Plastic housing
- Underweigh hook

Specifications

Weighing Units:

Carat, pennyweight, troy ounce, decimal ounce, decimal pound (see technical manual for complete listing)

Operating Modes:

Counting, percentage, limit function (checkweighing), specific gravity

Power:

120 VAC adapter

RS-232

Baud Rate:
1200/2400/4800/9600/19200 bps,
8/7 data bits, Parity bit-none/odd/even

Calibration Weight:

TA Plus-124: 120 g
TA Plus-224: 220 g

Temperature:

Operating:
50 °F to 86 °F (10 °C to 30 °C)

Humidity:

80% RH or lower

Est. Weight:

6.4 lb (2.9 kg)

Warranty:

Five-year limited

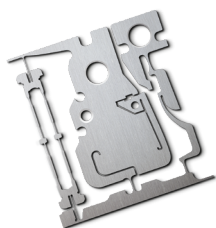
Return Policy:

Rice Lake standard policy

Model	Capacity	Readability	Repeatability	Linearity	Pan Size	Weighing Chamber	Dimensions	Part #	List Price
TA Plus-124	120 g	0.0001 g	1 division	1 division	Ø 3.15 in (80 mm)	225 mm H × 213 mm W × 213 mm D	11 × 7.9 × 12 in (290 × 200 × 306 mm)	196569	Consult
TA Plus-224	220 g	0.0001 g	1 division	1 division	Ø 3.15 in (80 mm)	225 mm H × 213 mm W × 213 mm D	11 × 7.9 × 12 in (290 × 200 × 306 mm)	196570	Consult

Options/Accessories

Part #	Description	Price
108255	115 VAC adapter	Consult
108256	230 VAC adapter	Consult
108257	In-use cover	Consult
107398	Additional operating manual	Consult
75351	WinWedge® Tal software	Consult
66535	Null modem cable	Consult
119919	AbleCable, requires null modem cable PN 66535	Consult



MMTS technology 50 times more sensitive than a load cell.



SMALL ANIMAL /
LABORATORY SCALES

Standard Features

- LCD display
- Quick response
- Accumulation, counting and percentage modes
- 13 different units of measure
- Detachable enclosed weighing chamber (in capacities = 1 kg)
- Battery operation for up to 40 hours of continuous use (without backlight)
- RS-232 interface for connecting to printer or PC
- Plastic enclosure

Specifications

Weighing Units:

Gram, ounce, pound, carat, pennyweight, troy ounce, grain (see technical manual for complete listing)

Operating Modes:

Weighing, percent weighing, parts counting, accumulation

Power:

AC adapter (12 V/500 mA); internal rechargeable battery (6 V/1.2 Ah)

Stabilization Time:

2 seconds

Battery Life:

Up to 40 hours of continuous use (without backlight)

Calibration Weight:

EQ-300: 300 g
EQ-600: 600 g
EQ-1500: 1,500 g
EQ-3000: 3,000 g
EQ-6000: 6,000 g

Temperature:

Operating:
32 °F to 104 °F (0 °C to 40 °C)

Est. Weight:

6.6 lb (3 kg)

Return Policy:

Rice Lake standard policy

Warranty:

One-year limited

Approval:

CE Approved



Model	Capacity	Readability	Repeatability	Linearity	Weighing Chamber	Pan Size	Part #	List Price
EQ-300	300 g	0.01 g	0.01 g	0.02 g	6.7 × 5.7 × 3.1 in (170 × 145 × 80 mm)	Ø 4.7 in (Ø 120 mm)	165338	Consult
EQ-600	600 g	0.02 g	0.02 g	0.04 g	6.7 × 5.7 × 3.1 in (170 × 145 × 80 mm)	Ø 4.7 in (Ø 120 mm)	165339	Consult
EQ-1500	1,500 g	0.05 g	0.05 g	0.1 g	N/A	4.8 × 5.6 in (122 × 142 mm)	165340	Consult
EQ-3000	3,000 g	0.1 g	0.1 g	0.2 g	N/A	4.8 × 5.6 in (122 × 142 mm)	165341	Consult
EQ-6000	6,000 g	0.2 g	0.2 g	0.4 g	N/A	4.8 × 5.6 in (122 × 142 mm)	165342	Consult

Options/Accessories

Part #	Description	Price
41279	Printer cable, DB9M to 25-pin M	Consult
103142	SP742 dot matrix printer, tear bar	Consult
119919	AbleCable RS-232/USB cable (requires 130789)	Consult
130789	Slim line null modem adapter	Consult
131135	Aluminum case	Consult
165183	AC adapter, 110-240 V AC, interchangeable plugs	Consult



PN 165183 Multi-range AC adapter and multi-plug



Standard Features

- Mono-metal tuning fork sensor (MMTS) provides quick response and stability
- Large, 16.5 mm-high, backlit liquid crystal display (LCD)
- 20-step bar graph display
- Semi-automatic calibration, external weight
- Plastic housing on models <1,000 g
- Plastic top and die-cast bottom on models >1,000 g

Specifications

Weighing Units:

Carat, pennyweight, troy ounce, decimal ounce, decimal pound (see technical manual for complete listing)

Operating Modes:

Weight, count, percentage, limit function (checkweighing)

Power:

115 VAC adapter included (230 V AC optional)

Calibration Weight:

TC-620: 600 g
TC-1200: 1,200 g
TC-4200: 4,000 g
TC-6200: 6,200 g

Temperature:

Operating:
41 °F to 95 °F (5 °C to 35 °C)

Est. Weight:

TC-620: 2.9 lb (1.3 kg)
TC-1200: 2.9 lb (1.3 kg)
TC-4200: 5.9 lb (2.7 kg)
TC-6200: 5.9 lb (2.7 kg)

Warranty:

Five-year limited

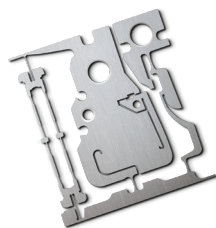
Return Policy:

Rice Lake standard policy

Model	Capacity	Readability	Repeatability	Linearity	Pan Size	Dimensions	Part #	List Price
TC-620	620 g	0.01 g	1 division	1 division	Ø 5.5 in (140 mm)	9.2 × 7.1 × 2.9 in (234 × 180 × 74 mm)	107232	Consult
TC-1200	1,200 g	0.1 g	1 division	1 division	6.7 × 5.6 in (170 × 142 mm)	10.4 × 7.5 × 3.4 in (264 × 191 × 86 mm)	107233	Consult
TC-4200	4,200 g	0.1 g	1 division	1 division	7 × 6.2 in (178 × 158 mm)	10.4 × 7.5 × 3.4 in (264 × 191 × 86 mm)	107234	Consult
TC-6200	6,200 g	0.1 g	1 division	1 division	7 × 6.2 in (178 × 158 mm)	10.4 × 7.5 × 3.4 in (264 × 191 × 86 mm)	107235	Consult

Options/Accessories

Part #	Description	Price
107236	Rechargeable battery TC-620, TC-1200, 32 hr	Consult
107237	Rechargeable battery TC-4200, TC-6200, 32 hr	Consult
107238	RS-232 option with DIN-5-pin connector (not compatible with battery option) (TC-620, TC-1200)	Consult
107239	RS-232 option with DIN-5-pin connection (not compatible with battery option) (TC-4200, TC-6200)	Consult
107240	In-use dust cover, 620 g to 1,200 g	Consult
107250	In-use dust cover, 4,200 g to 6,200 g	Consult
109236	Underweigh hook TC-620, TC-1200	Consult
109292	Underweigh hook TC-4200, TC-6200	Consult
42566	120 VAC adapter/12 VDC	Consult
42168	230 VAC adapter	Consult
107243	Additional operating manual	Consult
75351	WinWedge® software	Consult
115303	5-pin DIN to DB9F RS-232 cable	Consult
115148	RS-232 manual	Consult



MMTS technology 50 times more sensitive than a load cell.



SMALL ANIMAL /
LABORATORY SCALES

TS Series Washdown

Standard Features

- Mono-metal tuning fork sensor (MMTS) provides quick response and stability
- Stainless steel, IP65 top housing
- Large, 18 mm LCD with backlight
- Selectable modes
- 13 units of measurement
- Washdown with IP65 rating
- Semi-automatic calibration, external weight
- RS-232 interface for connecting to printer or PC

Options

- Battery holder
- Underweigh hook
- Waterproof RS-232 cable

Specifications

Weighing Units:

Carat, pennyweight, troy ounce, decimal ounce, decimal pound (see technical manual for complete listing)

Operating Modes:

Weight, count, percentage, limit function (checkweighing)

Power:

120 VAC adapter included (230 VAC optional)

Battery Option:

Nickel-cadmium battery, 12-hour run time, 24-hour charge time

RS-232 Baud Rate:

1200/2400/2800/9600;
Data bits - 8, Connector - DIN 5-pin

Calibration Weight:

TP-620: 600 g
TP-6200: 6,000 g
TP-8200: 8,000 g

Temperature:

Operating:
41 °F to 95 °F (5 °C to 35 °C)

Est. Weight:

6.2 lb (2.8 kg)

Warranty:

Five-year limited

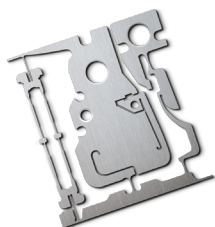
Return Policy:

Rice Lake standard policy

Model	Capacity	Resolution	Calibration	Part #	List Price
TS-620	620 g	0.01 g	600 g	108156	Consult
TS-6200	6,200 g	0.1 g	6,000 g	108157	Consult
TS-8200	8,200 g	0.1 g	8,000 g	112182	Consult

Options/Accessories

Part #	Description	Price
108499	AC adapter, multi-range 110:230 VAC, 6 VDC	Consult
72440	9-pin D-sub F-25-Pin D-sub connector	Consult
22436	9-pin D-sub F to blunt end	Consult
66535	Null modem cable	Consult
119064	Slimline adapter, null modem gender changer	Consult
109236	Underweigh hook	Consult
109238	Waterproof RS-232 cable	Consult
109050	Additional operating manual	Consult
112611	Battery operator manual	Consult
112516	Battery holder option, requires Four AA batteries (not included)	Consult
119919	AbleCable, requires null modem cable PN 66535	Consult



MMTS technology 50 times more sensitive than a load cell.



Calibration Weights



Standard Features

- Cast iron
- Grip handle
- ASTM Class 6
- Imperial or metric
- Made in the U.S.A.

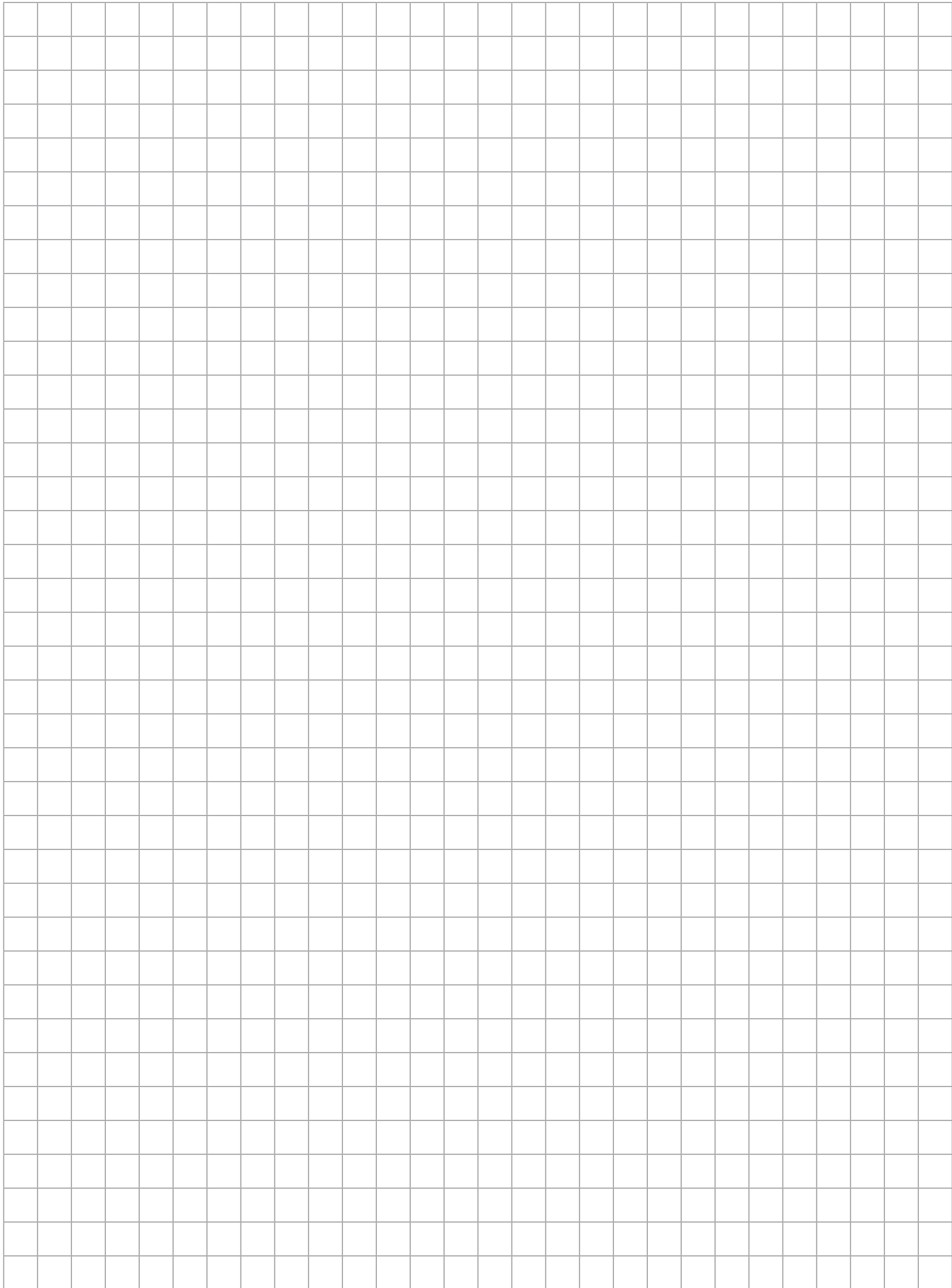
Options

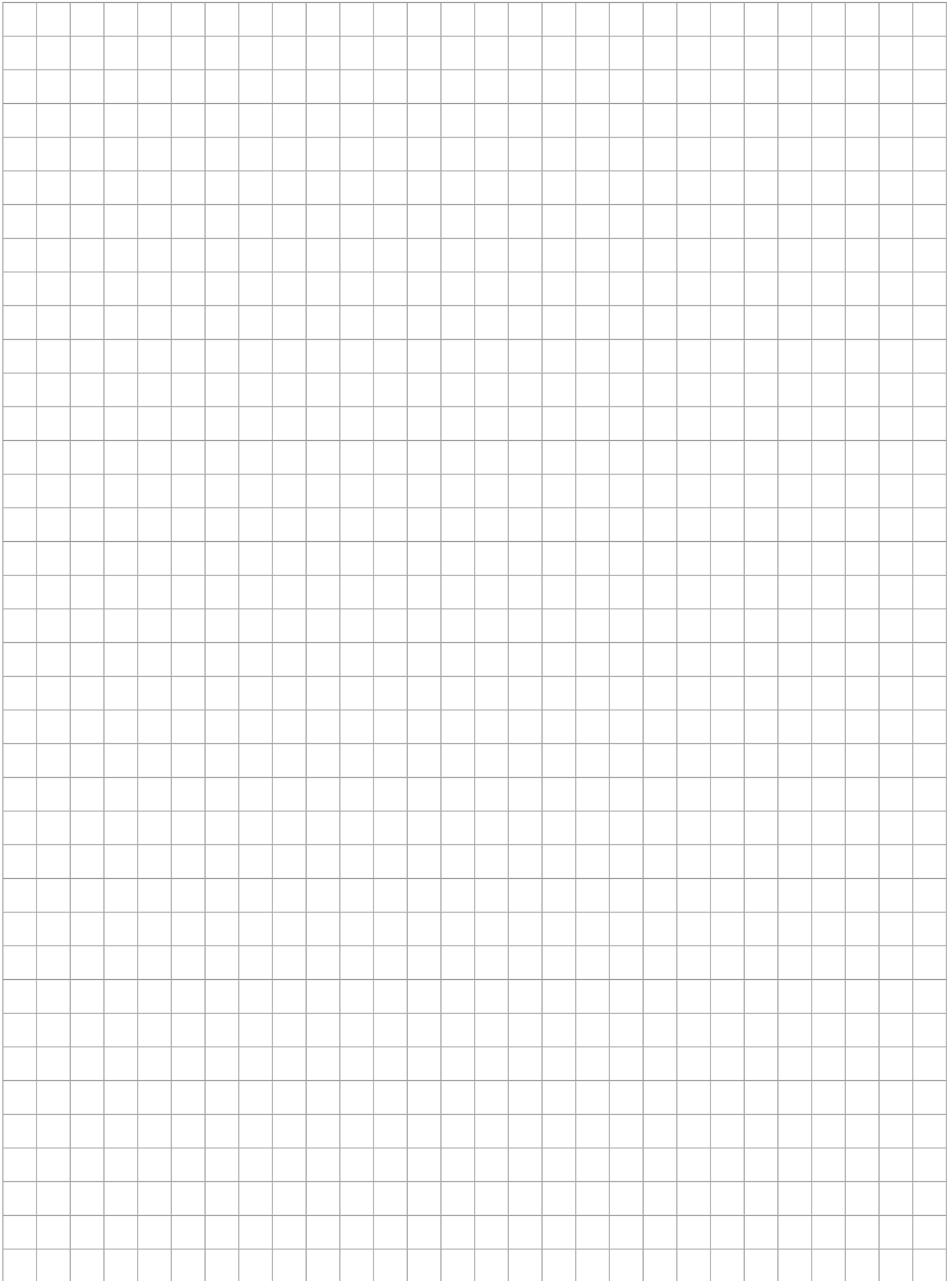
- Certificate of Calibration
- Stamped serial number

Animal health scale calibration requires certified weights that can be traced to the National Institute of Standards and Technology (NIST). This will ensure your scale is calibrated properly and ready for the requirements of weighing in medical settings. Consumer weights such as barbells or similar items may not provide an accurate weight to calibrate your scale. For example, a 5-pound consumer weight, such as a barbell, may actually weigh between 4.75 and 5.25 pounds. Calibration weights with traceability to NIST have a manufactured and adjusted tolerance of +/- 230 milligrams. Using a NIST-traceable calibration weight will ensure your scale is calibrated correctly and presents accurate weighments for proper patient care.

Part Number/Price

Part #	Description	Price
Imperial Weights		
12870	20 lb ASTM Class 6	Consult
12833	25 lb ASTM Class 6	Consult
12839	50 lb ASTM Class 6	Consult
Metric Weights		
12767	10 kg ASTM Class 6	Consult
12771	20 kg ASTM Class 6	Consult
12775	25 kg ASTM Class 6	Consult





Rice Lake's Global Family

A tradition of quality and customer service extended around the world.

AMERICAS

Corporate Headquarters
RICE LAKE, WISCONSIN

Jasper, Alabama
Fernley, Nevada
Kent, Washington
Concord, California
Newtown, Connecticut
Charlestown, Massachusetts
Monterrey, Mexico
Panama Pacifico, Panama

EUROPE

Modena, Italy
Milan, Italy
Farnham, United Kingdom
Heteren, The Netherlands
Paris, France
Barcelona, Spain

ASIA

Shanghai, China
Chennai, India
Indore, India

OCEANIA

Sydney, Australia



Emergency Contact Information

Call 800-472-6703 and press 1 to reach on-call personnel outside of our normal business hours.

Extended Business Hours

Monday through Friday from 6:30 a.m. to 6:30 p.m.
Saturday from 8:00 a.m. to 12:00 p.m. Central Time

RICE LAKE[®]
WEIGHING SYSTEMS

CORPORATE OFFICE

230 W. Coleman Street, Rice Lake, WI 54868 USA
USA: 800-472-6703 | Direct: 715-234-9171 | Fax: 715-234-6967
Canada and Mexico: +1-800-321-6703 | Europe: +39 0536 843418
China: +86 21 66314055 | International Direct: +1-715-234-9171