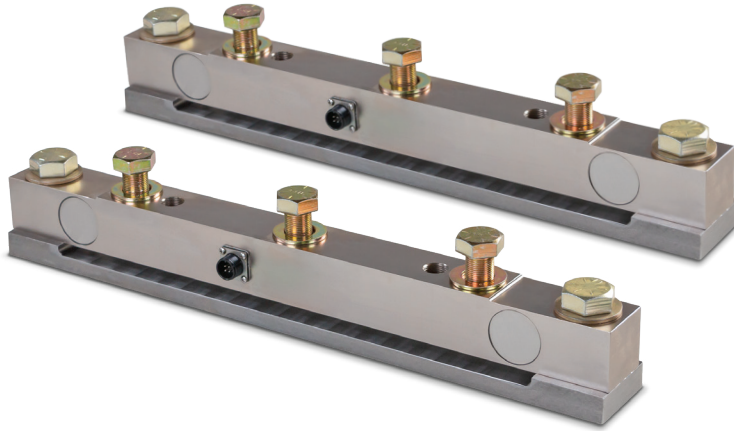


King Pin Load Cell Kit

Trailer Kit



The length of the PL9000-26 double ended shear beam load cell is ideal for distributing the loading of the king pin plate to the trailer frame. With a dynamic capacity of 20 K lbs (per), 40 K lbs as a system, it can handle the pounding of the highway.

Complete Kit Includes

- Two PL9000-26 load cells
- Two bearing plates (mild steel)
- Two 30 ft cables w/connectors
- Load cell bolts and flat washers
- Upper mount bolts and flat washers

Standard Features

- System capacity, Dynamic 40 K lb/Static 80 K lb
- Four-pin load cell connectors
- Connector cable assembly with potted connectors
- Single piece bearing plate, welded securement
- Rigid mounting of load cell to frame (Kingpin plate not included)

Part Number/Price

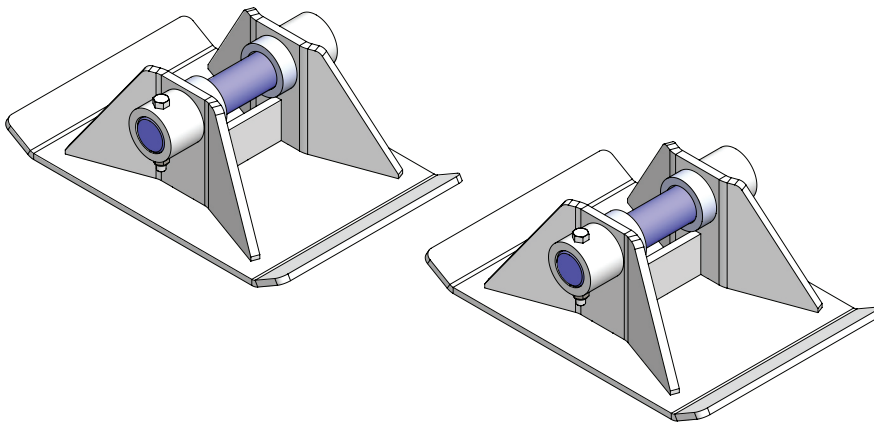
Part #	Description	Price
171325	Onboard kit, king pin plate load cell system	Consult

*King pin plate not included with kit

ONBOARD WEIGHING

Sand Shoe Load Cell Kit

Trailer Kit



The Sand Shoe load cell kit is a conversion for common semi-trailer landing gear. This system offers a pair of 2 in diameter, 20 K lbs load cells that are installed in place of the original sand shoe pins. Complimenting sand shoes are included to distribute the forces to the load cell properly.

Complete Kit Includes

- Two 2 in, 20 K lb load cell pins
- Two sand shoes
- Four load distribution spacers
- Two bolts for anti-rotation of load cell

Standard Features

- System capacity, 40 K lb
- Load cell with connectors, M12
- 20 x 13 ft heavy duty painted sand shoe

Part Number/Price

Part #	Description	Price
215049	Onboard Kit, sand shoe load cell system	Consult