

Vehicle Scales

TABLE OF CONTENTS

| | |
|--|------------|
| SURVIVOR® Truck and Rail Scales | 966 |
| RailBoss® | 967 |
| <i>Full Draft or Double Draft</i> | |
| RoughDeck® AX | 970 |
| <i>Tandem Axle Scale</i> | |
| AX3040 | 971 |
| <i>Tandem Axle Scale</i> | |
| RoughDeck® AX-1 | 972 |
| <i>Axle Scale</i> | |
| Load Ranger | 974 |
| <i>Wireless Wheel Pad Scale</i> | |
| Load Ranger Cart | 976 |
| <i>Transport Cart</i> | |

The following product names, logos, brands and other trademarks featured or referred to within this publication are the property of their respective trademark holders.

SURVIVOR® Truck and Rail Scales

For more information on Rice Lake's full line of SURVIVOR® truck and rail scales, please visit our website at www.ricelake.com or call 800-472-6703 and ask to speak with a heavy capacity team member.



Truck Scales:

www.ricelake.com/survivor

SURVIVOR OTR

Heavy-duty, top access, concrete or steel deck scales

SURVIVOR OTR-LP

Heavy-duty, steel deck, low profile scale for existing foundations

SURVIVOR OTR-XV

Extreme duty, top access, concrete or steel deck scales

SURVIVOR ATV

Heavy or extreme duty, top access portable steel deck scales

SURVIVOR SR

Heavy-duty, low profile, concrete or steel deck siderail scales

SURVIVOR PT

Heavy-duty, pit-type, concrete or steel deck scales

SURVIVOR Multi-Platform

SURVIVOR ATV-M

Portable, self-contained levertronic, steel deck scales

SURVIVOR PT-M

Pit-type, levertronic, concrete deck scales

Rail Scales:

www.ricelake.com/railscales

SURVIVOR RT

Pit-type, rail/truck combination scales

SURVIVOR PL

Low profile, pitless scales

RailBoss®

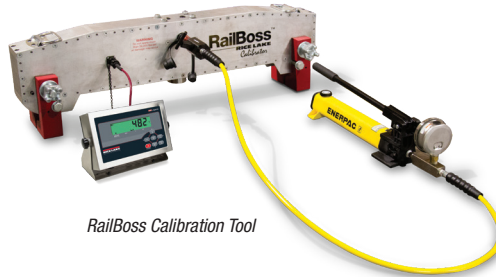
Full- or double-draft rail scales

VEHICLE SCALES



*Non-Legal for Trade

Approvals



RailBoss Calibration Tool

Part Number/Price

| Part # | Description | Est. Weight | Price |
|-------------------------------------|--|-------------|-------------|
| Kits | | | |
| 164748 | RailBoss assembly kit, full draft, 90 RA rail V2 | 2,280 lb | \$40,900.00 |
| 164749 | RailBoss assembly kit, double draft, 90 RA rail V2 | 1,150 lb | \$20,400.00 |
| 193391 | RailBoss assembly kit, full draft, 100 ARAA | 2,500 lb | \$41,100.00 |
| 193390 | RailBoss assembly kit, double draft, 100 ARAA | 1,100 lb | \$20,500.00 |
| 215172 | RailBoss assembly kit, full draft, 100 ARAA | 2,300 lb | \$46,000.00 |
| 188023 | RailBoss assembly kit, double draft, 100 AREA | 1,100 lb | \$21,500.00 |
| 162515 | RailBoss assembly kit, full draft, 115 RE rail V2 | 2,550 lb | \$41,100.00 |
| 162516 | RailBoss assembly kit, double draft, 115 RE rail V2 | 1,275 lb | \$20,500.00 |
| 164752 | RailBoss assembly kit, full draft, 132 RE rail V2 | 2,800 lb | \$41,500.00 |
| 164753 | RailBoss assembly kit, double draft, 132 RE rail V2 | 1,400 lb | \$20,800.00 |
| 194678 | RailBoss assembly kit, full draft, 133 AREA | 2,900 lb | \$41,500.00 |
| 194679 | RailBoss assembly kit, double draft, 133 AREA | 1,450 lb | \$20,800.00 |
| 169763 | RailBoss assembly kit, full draft, 136 AREA | 3,000 lb | \$43,600.00 |
| 169762 | RailBoss assembly kit, double draft, 136 AREA | 1,500 lb | \$21,900.00 |
| Single Rail Gauge Assemblies | | | |
| 164750 | RailBoss 90 lb gauge assembly V2 (does not include cable) | 290 lb | \$5,400.00 |
| 193389 | RailBoss 100 ARAA gauge assembly V2 (does not include cable) | 300 lb | \$5,400.00 |
| 188013 | RailBoss 100 ARAA gauge assembly V2 (does not include cable) | 320 lb | \$5,400.00 |
| 162517 | RailBoss 115 AREA gauge assembly V2 (does not include cable) | 320 lb | \$5,400.00 |
| 164754 | RailBoss 132 AREA gauge assembly V2 (does not include cable) | 350 lb | \$5,400.00 |
| 194677 | RailBoss 133 AREA gauge assembly V2 (does not include cable) | 370 lb | \$5,400.00 |
| 169761 | RailBoss 136 AREA gauge assembly V2 (does not include cable) | 390 lb | \$5,400.00 |

NOTE: Instrumentation with RailBoss software must be ordered separately and is not included with the RailBoss assembly kit

Standard Features

- 80,000 lb axle capacity
- 320,000 lb full scale capacity
- 40,000 lb rail section capacity
- 90 RA, 100 ARA-A, 115 RE, 132 RE, 133 RE or 136 RE rail sections
- 5 ft 10 in rail sections, pre-drilled for joint bars
- Quick-disconnect cable connection with MS style connector

Full Draft Package Includes

- (8) 5 ft 10 in rail sections
- 30 ft of connecting cable per rail section
- Pre-drilled joint bars with connection hardware
- (2) Rice Lake junction boxes with transient protection
- 30 ft of homerun cable

Double Draft Package Includes

- (4) 5 ft 10 in rail sections
- 30 ft of connecting cable per rail section
- Pre-drilled joint bars with connection hardware
- (1) Rice Lake junction box with transient protection
- 30 ft of homerun cable

Optional Features

- Custom rail sizes are available
- 1280 Enterprise™ Series indicator with RailBoss software for full-draft or double-draft applications*
- 920i® indicator with RailBoss software for full-draft or double-draft applications*
- Custom cable lengths

*Non-Legal for Trade

Calibration Unit

Standard Features

- 482 Legend Series indicator
- Attachment hardware for 90 RA, 115RE and 132RE rail

Specifications

Load Cells:

40,000 lb

Accuracy:

= 0.25% error typical, interchangeable with other gauged rail products

Full Scale Output:

0.8 mV/V ± 0.2%

Input Resistance:

765 ± 5 ohm

Output Resistance:

700 ± 5 ohm

Full Scale Capacity:

320,000 lb

Axle Capacity:

80,000 lb

Warranty:

Two-year limited

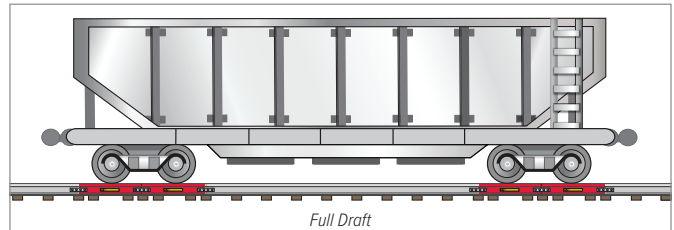
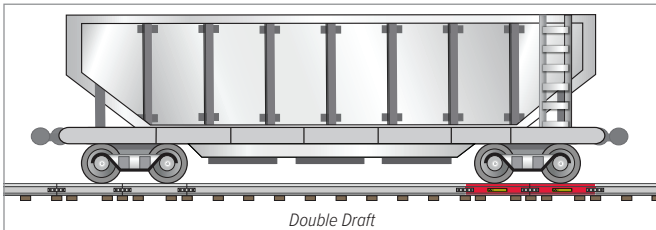
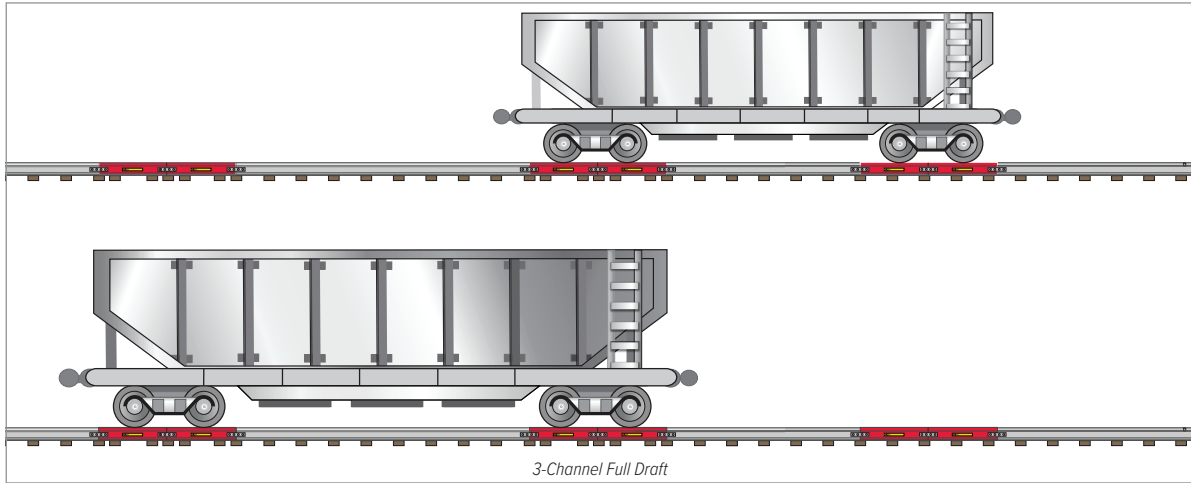
Intrinsic Safety:

cMus
Class I, II, III, Division 1, Groups ABCDEFG
T4

Part Number/Price

| Part # | Description | Est. Weight | Price |
|------------------------------|--|-------------|-------------|
| Instrumentation | | | |
| 119073 | Single-channel 920i® indicator double draft with RailBoss software | 10 lb | \$3,395.00 |
| 119072 | Dual-channel 920i® indicator full draft with RailBoss software | 10 lb | \$3,545.00 |
| 126304 | Three-channel 920i® indicator full draft with RailBoss software | 10 lb | \$3,940.00 |
| 190949 | Single-channel 1280 indicator double draft with RailBoss software | 11 lb | \$3,850.00 |
| 190951 | Dual-channel 1280 indicator full draft with RailBoss software | 11 lb | \$4,050.00 |
| 190952 | Three-channel 1280 indicator full draft with RailBoss software | 11 lb | \$4,525.00 |
| Hardware | | | |
| 126391 | 90 RA 24 in short toe joint bar set, 4 sets required (2 bars with bolts and nuts) | 40 lb | \$1,350.00 |
| 129620 | 100 RE short toe joint bar set, 4 sets required (2 bars with bolts and nuts) | 58 lb | \$1,225.00 |
| 193468 | 100 ARAA short tow joint bar set, 4 sets required (2 bars with bolts and nuts) | 45 lb | \$1,225.00 |
| 126389 | 115 RE 24 in short toe joint bar set, 4 sets required (2 bars with bolts and nuts) | 50 lb | \$1,050.00 |
| 126390 | 132 RE 24 in short toe joint bar set, 4 sets required (2 bars with bolts and nuts) | 60 lb | \$1,225.00 |
| 194674 | 133 ARAA short tow joint bar set, 4 sets required (2 bars with bolts and nuts) | 70 lb | \$1,225.00 |
| 126390 | 136 ARAA short tow joint bar set, 4 sets required (2 bars with bolts and nuts) | 80 lb | \$1,225.00 |
| 126111 | 90 RA isolation joint bar set, 4 sets required (2 bars with bolts and nuts) | 40 lb | \$1,225.00 |
| 112702 | 115 RE isolation joint bar set, 4 sets required (2 bars with bolts and nuts) | 50 lb | \$1,225.00 |
| 119771 | 132 RE isolation joint bar set, 4 sets required (2 bars with bolts and nuts) | 60 lb | \$1,225.00 |
| 194673 | 133 ARAA isolation joint bar set, 4 sets required (2 bars with bolts and nuts) | 70 lb | \$1,225.00 |
| 194344 | 136 ARAA isolation joint bar set, 4 sets required (2 bars with bolts and nuts) | 80 lb | \$1,225.00 |
| 198086 | 100 RA isolation joint bar set, 4 sets required (2 bars with bolts and nuts) | - | \$1,225.00 |
| 163004 | 30 ft interface cable | - | \$625.00 |
| 164873 | 60 ft interface cable | - | \$775.00 |
| 164874 | 100 ft interface cable | - | \$1,050.00 |
| 188909 | Adapter cable from AWT Weighline to Rice Lake RailBoss | - | \$650.00 |
| Calibration Equipment | | | |
| 115564 | RailBoss calibration/test unit | 300lb | \$12,900.00 |
| 119068 | RailBoss calibration/test until rental (one week) | 300lb | \$800.00 |
| 208171 | Coupler, flush face, no drip for Enerpac FR400 pump | - | \$425.00 |

NOTE: Instrumentation with RailBoss software must be ordered separately and is not included with the RailBoss assembly kit.



VEHICLE SCALES

02:41 PM 10/15/2024

FULL DRAFT Change Rail Car

Scale 1 Scale 2

5000 lb 7500 lb

Press Capture Button

12500 lb Gross
0 lb Tare
12500 lb Net

Capture

Return to Weigh Screen

Full-draft RailBoss software display with a 1280 indicator

10/15/2024 11:32AM SCALE #1

Scale #1 Scale #2

100050 97000

197050 lb Gross

Rail Truck #1: 100050 lb 98000 lb Tare

Rail Truck #2: 97000 lb 99050 lb Net

Ticket Printed - Exit Scale

Double Draft Reprint

Double-draft RailBoss software display with a 920i indicator

RoughDeck® AX

Tandem Axle Scale



Standard Features

- System includes two platforms with anchor brackets and four on/off ramps with anchor tabs (anchor bolts not included)

Scale

- (L x W x H): 84 x 32 x 6 in
- Axle capacity, tandem platforms: 60,000 lb (two scales 30,000 lb each)
- Includes (2) 3/4-10 NC eye bolts for lifting scale during installation
- Contains four environmentally sealed, IP67 20,000 lb single-ended shear beam load cells per platform
- Treaded top plate with side access junction box
- JB4SS TuffSeal® signal trim junction box
- Top access foot adjustment holes
- Carbon steel captured ball feet
- 20 ft SURVIVOR® EL147HE cable
- Non-Legal for Trade

Ramps

- (L x W x H) 60 x 32 x 6 in
- Treaded top plate

Specifications

End Loading Capacity:

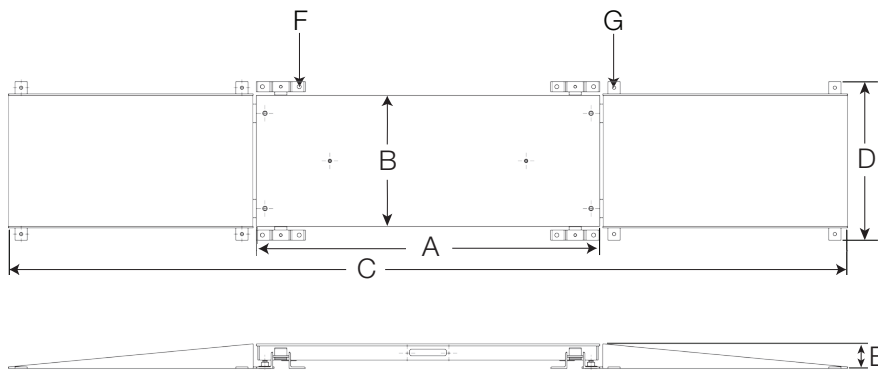
133% full scale at 30,000 lb

Warranty:

Load cells: Two-years
All other components: One-year limited

Part Number/Price

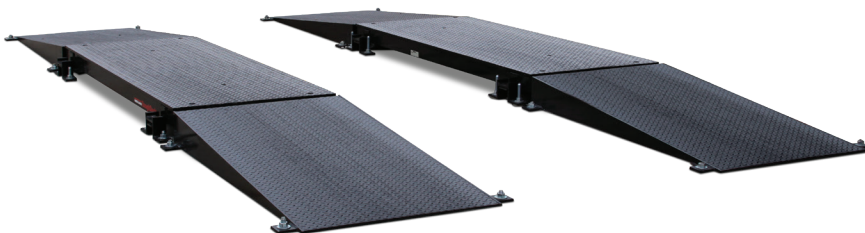
| Part # | Description | Dimensions (L x W x H) | Est. Weight | Price |
|--------|----------------------------|------------------------|-------------|-------------|
| 107637 | 60,000 lb (30,000 lb each) | 84 x 32 x 6 in | 3,600 lb | \$16,500.00 |



Dimensions

| RoughDeck AX | |
|--------------|-----------|
| A | 84.00 in |
| B | 32.00 in |
| C | 205.50 in |
| D | 38.75 in |
| E | 6.00 in |
| F | 1.00 in |
| G | 0.75 in |

Note: 1 in = 25.4 mm



VEHICLE SCALES



Standard Features

Scales

- Sizes: 7 ft, 12 ft and 14 ft lengths
- Construction: Steel or aluminum
- Axle capacity, tandem platforms: 60,000 or 80,000 lb (30,000 or 40,000 lb each)
- Includes (4) 5/8-11 NC eye bolts for lifting scale during installation
- Contains two load cells per platform
- Treaded top plate with four lifting eyes
- JB4SS TuffSeal® signal trim junction box
- 10 ft EL146HE Interconnect cable with MS-type connectors to go between weigh pads
- 50 ft EL147HE cable to connect weigh pad to indicator
- Non-Legal for Trade

Ramps

- Ramps: (L × W) 7 ft and 12 ft scales: 5.63 × 32.00 in, 14 ft scale: 5.75 × 32.00 in
- Steel or aluminum
- Anchor bolts not included

Specifications

Construction:

Steel or aluminum

Accuracy:

±3%

End Loading Capacity:

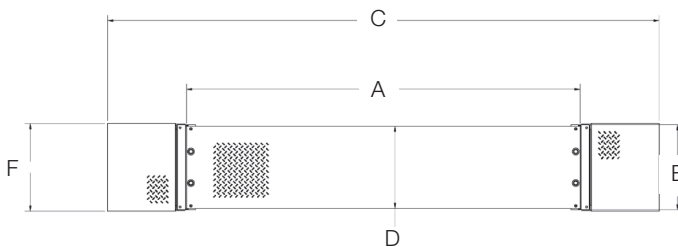
133% full scale at 30,000 lb
100% full scale at 40,000 lb

Warranty:

One-year limited

Part Number/Price

| Part # | Description | Dimensions (L × W × H) | Est. Weight | Price |
|--|--|--------------------------|-------------|-------------|
| Steel Construction - Painted Black 2 Scales with Connecting Cables and 4 Ramps | | | | |
| 112330 | 60,000 lb (30,000 lb each) | 7 ft × 2.5 ft × 5.63 in | 2,500 lb | \$14,850.00 |
| 111748 | 80,000 lb (40,000 lb each) | 12 ft × 2.5 ft × 5.63 in | 4,400 lb | \$17,580.00 |
| 112328 | 80,000 lb (40,000 lb each) | 14 ft × 2.5 ft × 5.75 in | 5,200 lb | \$23,325.00 |
| Steel Construction - Painted Black 2 Scales with Connecting Cables, Without Ramps | | | | |
| 204097 | 60,000 lb (30,000 lb each) | 7 ft × 2.5 ft × 5.63 in | 2,500 lb | \$12,450.00 |
| 204099 | 80,000 lb (40,000 lb each) | 12 ft × 2.5 ft × 5.63 in | 4,400 lb | \$15,180.00 |
| 204100 | 80,000 lb (40,000 lb each) | 14 ft × 2.5 ft × 5.75 in | 5,200 lb | \$20,925.00 |
| Aluminum Construction - Glass Beaded 2 Scales with Connecting Cables and 4 Ramps | | | | |
| 112329 | 60,000 lb (30,000 lb each) | 7 ft × 2.5 ft × 5.63 in | 1,250 lb | \$17,485.00 |
| Aluminum Construction - Glass Beaded with Connecting Cables, Without Ramps | | | | |
| 204101 | 60,000 lb (30,000 lb each) | 7 ft × 2.5 ft × 5.63 in | 1,250 lb | \$14,645.00 |
| Ramps with Hardware (Qty. 2) | | | | |
| 204102 | (2) Ramps steel construction - painted black with hardware | | | \$1,200.00 |
| 204103 | (2) Ramps aluminum construction - glass beaded with hardware | | | \$1,420.00 |



Dimensions

| AX3040 | | | |
|----------------------|-----------|---|----------|
| 7 ft steel | | | |
| A | 83.60 in | E | 31.00 in |
| B | 90.90 in | F | 32.00 in |
| C | 141.25 in | G | 5.63 in |
| D | 30.00 in | | |
| 12 ft steel | | | |
| A | 143.60 in | E | 31.00 in |
| B | 150.90 in | F | 32.00 in |
| C | 201.2 in | G | 5.63 in |
| D | 30.00 in | | |
| 14 ft steel | | | |
| A | 167.60 in | E | 31.00 in |
| B | 174.90 in | F | 32.00 in |
| C | 225.25 in | G | 5.75 in |
| D | 30.00 in | | |
| 7 ft aluminum | | | |
| A | 83.60 in | E | 31.00 in |
| B | 90.90 in | F | 32.00 in |
| C | 141.25 in | G | 5.63 in |
| D | 30.00 in | | |

Note: 1 in = 25.4 mm

RoughDeck® AX-1

Axle Scale



Standard Features

- Sizes: 7.5 ft, 9.5 ft or 11.5 ft lengths
- Capacity: 50,000 lb
- Includes (2) 1-8 NC eye bolts
- Contains four environmentally sealed, IP67, 20,000 lb single-ended load cells
- Treaded top plate
- JB4SS TuffSeal® signal trim top access junction box
- Top access foot adjustment holes
- Carbon steel captured ball feet
- 20 ft SURVIVOR® EL147HE cable
- Non-Legal for Trade

Options:

- Ramps: 10 × 4 ft, treaded top plate
- Scale frame

Specifications

End Loading Capacity:

80% full scale at 50,000 lb

Warranty:

Load cells: Two-years

All other components: One-year limited

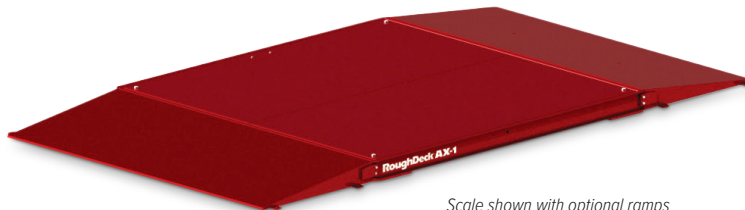
Part Number/Price

| Part # | Dimensions (L × W × H) | Capacity | Est. Weight | Price |
|--|-----------------------------|-----------|-------------|-------------|
| Scale only | | | | |
| 169649 | 7.5 ft × 9.6 ft × 6.0 in | 50,000 lb | 3,350 lb | \$16,550.00 |
| 169650 | 9.5 ft × 9.6 ft × 6.0 in | 50,000 lb | 4,150 lb | \$18,630.00 |
| 169651 | 11.5 ft × 9.6 ft × 6.0 in | 50,000 lb | 5,500 lb | \$20,700.00 |
| Scale, bundled with scale frame | | | | |
| 169645 | 8.0 ft × 10.1 ft × 6.75 in | 50,000 lb | 4,350 lb | \$19,035.00 |
| 169647 | 10.0 ft × 10.1 ft × 6.75 in | 50,000 lb | 5,400 lb | \$21,580.00 |
| 169648 | 12.0 ft × 10.1 ft × 6.75 in | 50,000 lb | 7,000 lb | \$25,610.00 |

Options/Accessories

| Part # | Dimensions (L × W × H) | Est. Weight | Price |
|--------------------------------------|-----------------------------|-------------|------------|
| Scale frame only | | | |
| 169652 | 8.0 ft × 10.1 ft × 6.75 in | 1,000 lb | \$2,900.00 |
| 169653 | 10.0 ft × 10.1 ft × 6.75 in | 1,250 lb | \$3,365.00 |
| 169654 | 12.0 ft × 10.1 ft × 6.75 in | 1,500 lb | \$5,325.00 |
| Ramp, attaches to scale frame | | | |
| 169655 | 10 × 4 ft, single ramp | 1,600 lb | \$3,375.00 |
| 169656 | 10 × 4 ft, ramp set | 3,200 lb | \$6,750.00 |
| Ramp, attaches to scale | | | |
| 169657 * | 10 × 4 ft, single ramp | 1,675 lb | \$3,375.00 |
| 169658 | 10 × 4 ft, ramp set | 3,350 lb | \$6,750.00 |

*Consult factory for quote on riser plate for opposite end of scale.

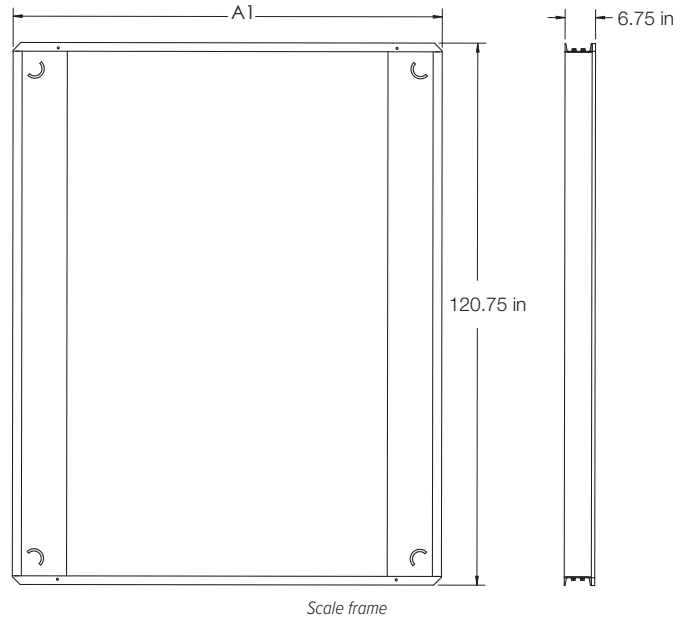
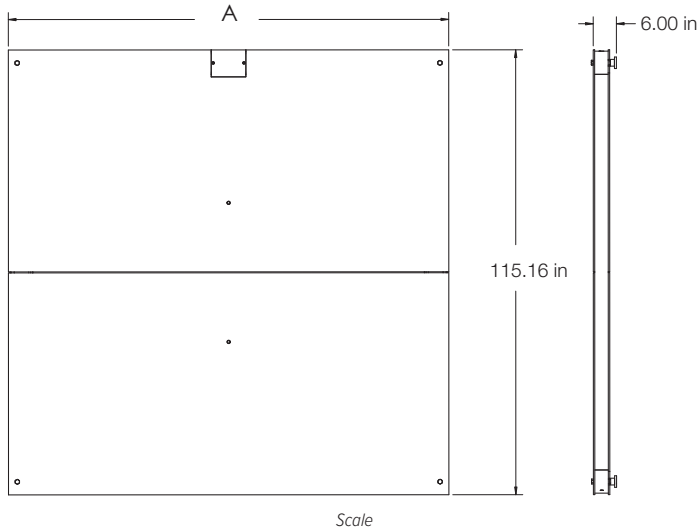


Scale shown with optional ramps

VEHICLE SCALES

RoughDeck® AX-1

Axle Scale



Dimensions

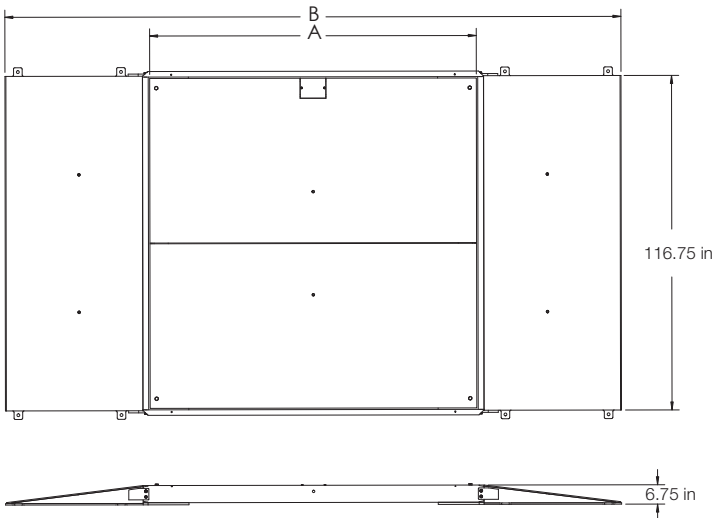
| RoughDeck AX-1 | |
|------------------|-----------|
| PN 169649 | |
| A | 90.00 in |
| PN 169650 | |
| A | 114.00 in |
| PN 169651 | |
| A | 138.00 in |

Note: 1 in = 25.4 mm

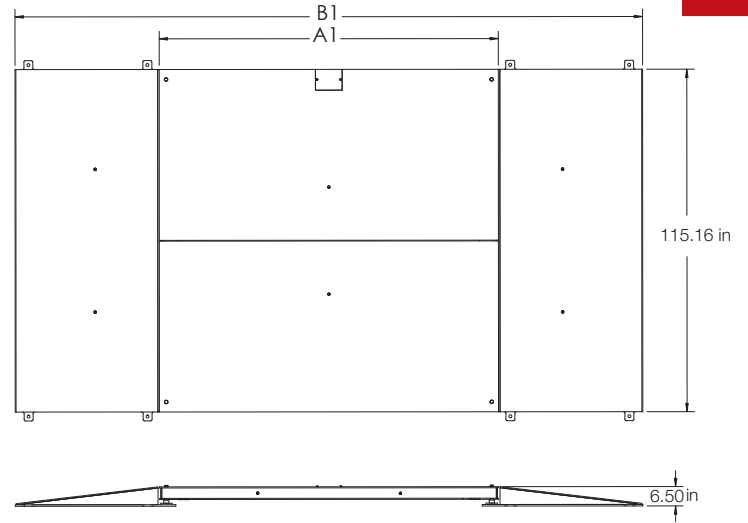
| | |
|------------------|-----------|
| PN 169652 | |
| A1 | 95.75 in |
| PN 169653 | |
| A1 | 119.75 in |
| PN 169654 | |
| A1 | 143.75 in |

Note: 1 in = 25.4 mm

VEHICLE SCALES



Scale in scale frame with ramps



Scale with ramps

| | | | |
|------------------|-----------|---|-----------|
| PN 169645 | | | |
| A | 90.00 in | B | 191.75 in |
| PN 169647 | | | |
| A | 114.00 in | B | 215.75 in |
| PN 169648 | | | |
| A | 138.00 in | B | 239.75 in |

Note: 1 in = 25.4 mm

| | | | |
|------------------|-----------|----|-----------|
| PN 169649 | | | |
| A1 | 90.00 in | B1 | 187.00 in |
| PN 169650 | | | |
| A1 | 114.00 in | B1 | 211.00 in |
| PN 169651 | | | |
| A1 | 138.00 in | B1 | 235.00 in |

Note: 1 in = 25.4 mm

Load Ranger

Wireless Wheel Pad Scale



Part Number/Price

| Part # | Description | Est. Weight | Price |
|--------|---|-------------|------------|
| 212108 | Remote indicator with integrated printer in carrying case | 15 lb | \$2,200.00 |

| Part # | Size (W × L × H), Capacity | Est. Weight | Price |
|-----------------------|---|-------------|------------|
| RF-MD 2.4 GHz | | | |
| 212096 | 1 ft 10 in × 1 ft 8 in × 2.28 in, 3,300 × 1 lb | 40 lb | \$2,295.00 |
| 212097 | 1 ft 10 in × 1 ft 8 in × 2.28 in, 6,600 × 2 lb | 40 lb | \$2,295.00 |
| 212098 | 1 ft 10 in × 1 ft 8 in × 2.28 in, 13,200 × 5 lb | 40 lb | \$2,295.00 |
| 212099 | 1 ft 10 in × 1 ft 8 in × 2.28 in, 22,000 × 10 lb | 40 lb | \$2,495.00 |
| 212100 | 1 ft 10 in × 1 ft 8 in × 2.28 in, 33,000 × 10 lb | 40 lb | \$2,495.00 |
| RF-WD 2.4 GHz | | | |
| 212101 | 2 ft 6 in × 1 ft 10 in × 2.28 in, 13,200 × 5 lb | 65 lb | \$2,875.00 |
| 212102 | 2 ft 6 in × 1 ft 10 in × 2.28 in, 22,000 × 10 lb | 65 lb | \$2,875.00 |
| 212103 | 2 ft 6 in × 1 ft 10 in × 2.28 in, 33,000 × 10 lb | 65 lb | \$2,875.00 |
| 212835 | 2 ft 6 in × 1 ft 10 in × 2.28 in, 22,000 × 20 lb (NTEP Class III) | 65 lb | \$3,520.00 |
| RF-XWD 2.4 GHz | | | |
| 212104 | 3 ft 1 in × 2 ft × 2.28 in, 13,200 × 5 lb | 105 lb | \$3,520.00 |
| 212105 | 3 ft 1 in × 2 ft × 2.28 in, 22,000 × 10 lb | 105 lb | \$3,520.00 |
| 212106 | 3 ft 1 in × 2 ft × 2.28 in, 33,000 × 10 lb | 105 lb | \$3,520.00 |
| 212107 | 3 ft 1 in × 2 ft × 2.28 in, 44,000 × 20 lb | 105 lb | \$3,520.00 |

Options/Accessories

| Part # | Description | Price |
|--------|---|----------|
| 190916 | RS-485 cable used to connect wheel pad directly to indicator | \$195.00 |
| 188744 | RS-485 cable, 10 m, used in a 7 pad or more hybrid-wireless system to join two pads together (for use with Bluetooth versions of Load Ranger pads only) | \$195.00 |
| 181881 | Aluminum ramp for Load Ranger MD models (single ramp only) | \$280.00 |
| 181882 | Aluminum ramp for Load Ranger WD models (single ramp only) | \$310.00 |
| 181883 | Aluminum ramp for Load Ranger XWD models (single ramp only) | \$340.00 |
| 182053 | Printer paper roll, 57 mm x 30 mm, 12 mm core 51 mm OD | \$3.00 |
| 185064 | Load Ranger wheel pad charger, 110 VAC version with US plug | \$130.00 |
| 192591 | Load Ranger Ai-1 remote indicator power adapter, 120-230 VAC version with US plug | \$95.00 |
| 212110 | Load Ranger wheel pad 2.4 GHz radio upgrade kit | \$550.00 |
| 212111 | Load Ranger Ai-1 remote indicator 2.4 GHz radio upgrade kit | \$550.00 |

Note: Bluetooth models are discontinued,
2.4 GHz models are not compatible with discontinued Bluetooth models without upgrade kits.

Standard Features

- Up to 16 individual pads communicate wireless to the indicator
- Industrial RF radio module to communicate with optional indicator
- Integrated wheels and nonslip rubber under platform
- Internal rechargeable battery with 40 hours of battery life
- Built-in indicator on each scale with 1 in character display
- IP67 rating
- Cover plate protects built-in indicator

Optional Remote Indicator with Integrated Printer in Carrying Case

- ABS carrying case: 1 ft × 1 ft 6 in × 7 in
- Backlit graphic display with touchscreen technology
- Internal battery with 10 hours of battery life
- Real-time clock
- Permanent data storage
- Direct thermal receipt printer

Wheel Weighing Software

- Multi-scale function mode weighs with up to 16 individual pads (eight sets)
- Static axle weighing function, up to two channels
- Calculation of center of gravity
- Semi-automatic and preset tare
- Selection of displayed data on LCD touchscreen
- 1,000 field database
- Print and display list of last 3,500 vehicles

Options/Accessories

- Leveling modules
- Aluminum ramps
- NTEP Class III (*Select sizes and capacities only, consult factory for more information*)

Specifications

Power:

Battery: Rechargeable, approximately 40 hour life
AC: uL approved wall adapter

Display:

1 in character display on each scale

System Accuracy:

0.05% of rated capacity

Communication:

Wireless 2.4 GHz

Construction:

Aluminum alloy

Temperature:

Operating:
14 °F to 104 °F (-10 °C to 40 °C)

Storage:
-4 °F to 140 °F (-20 °C to 60 °C)

Effective Wireless Communication Range:

Up to 160 ft (50 m) line of sight typical

Warranty:

Two-year limited

Approvals:

NTEP 20-003P Class III

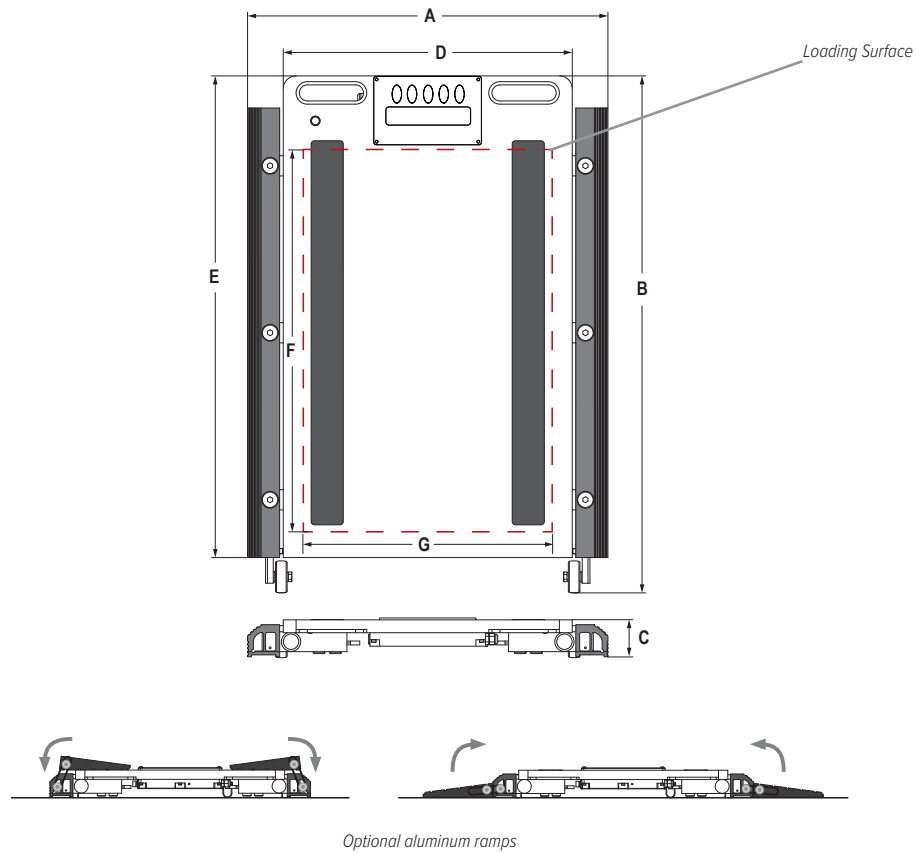


NTEP Class III approved for law enforcement.

Dimensions

| Platform | | | |
|----------|---------------------|---------------------|--------------------|
| | RF-MD | RF-WD | RF-XWD |
| A | 1 ft 8 in (511 mm) | 1 ft 10 in (564 mm) | 2 ft (611 mm) |
| B | 2 ft (611 mm) | 2 ft 8 in (813 mm) | 3 ft 3 in (991 mm) |
| C | 2.28 in (58 mm) | 2.28 in (58 mm) | 2.28 in (58 mm) |
| D | 1 ft 4 in (406 mm) | 1 ft 6 in (457 mm) | 1 ft 8 in (511 mm) |
| E | 1 ft 10 in (564 mm) | 2 ft 6 in (750 mm) | 3 ft 1 in (950 mm) |

| Loading Surface | | | |
|-----------------|--------------------|---------------------|--------------------|
| | RF-MD | RF-WD | RF-XWD |
| F | 1 ft 3 in (381 mm) | 1 ft 11 in (584 mm) | 2 ft 5 in (737 mm) |
| G | 1 ft 4 in (406 mm) | 1 ft 6 in (457 mm) | 1 ft 8 in (511 mm) |



VEHICLE SCALES

Load Ranger Cart

Transport Cart



Standard Features

- Can hold up to four, six or eight Load Ranger wheel pads (with or without optional ramps) and one Load Ranger remote indicator case
- Two swivel, locking casters and two rigid casters to insure the safety of the scales during transit
- Painted mild steel
- Bottom surface, heavy duty plastic to offer scratch resistance for Load Rangers
- Integrated forklift channels
- Cam latch closures
- AC power strip, US plug

Specifications

Warranty:

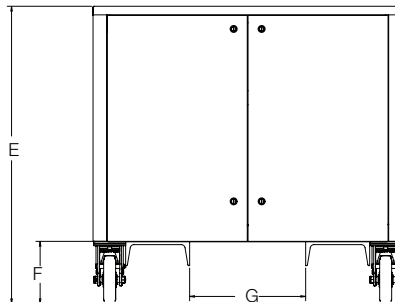
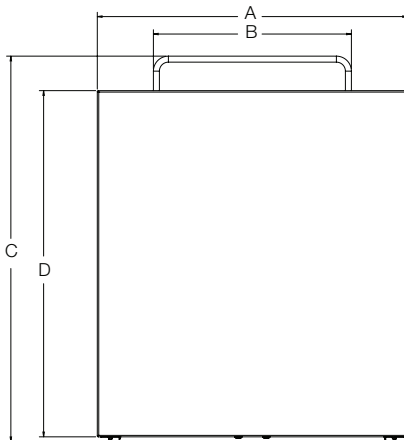
One-year limited

Part Number/Price

| Part # | Description | Price |
|--------|---|------------|
| 225058 | Load Ranger transport cart for up to 4 Load Ranger wheel pads | \$3,995.00 |
| 203078 | Load Ranger transport cart for up to 6 Load Ranger wheel pads | \$4,595.00 |
| 221488 | Load Ranger transport cart for up to 8 Load Ranger wheel pads | \$5,595.00 |

Dimensions

| Load Ranger Cart, 4 Bay | | | |
|-------------------------|---------------------|---|-------------------|
| A | 31.80 in (808 mm) | E | 37.17 in (944 mm) |
| B | 24.75 in (629 mm) | F | 7.80 in (198 mm) |
| C | 47.87 in (1,216 mm) | G | 9.26 in (235 mm) |
| D | 43.50 in (1,105 mm) | | |
| Load Ranger Cart, 6 Bay | | | |
| A | 40.80 in (1,036 mm) | E | 37.17 in (944 mm) |
| B | 24.75 in (629 mm) | F | 7.80 in (198 mm) |
| C | 47.87 in (1,216 mm) | G | 16.25 in (413 mm) |
| D | 43.50 in (1,105 mm) | | |
| Load Ranger Cart, 8 Bay | | | |
| A | 50.30 in (1,278 mm) | E | 37.17 in (944 mm) |
| B | 24.75 in (629 mm) | F | 7.80 in (198 mm) |
| C | 47.87 in (1,216 mm) | G | 25.75 in (654 mm) |
| D | 43.50 in (1,105 mm) | | |



VEHICLE SCALES