

BC-4000L2

Bench



Part Number/Price

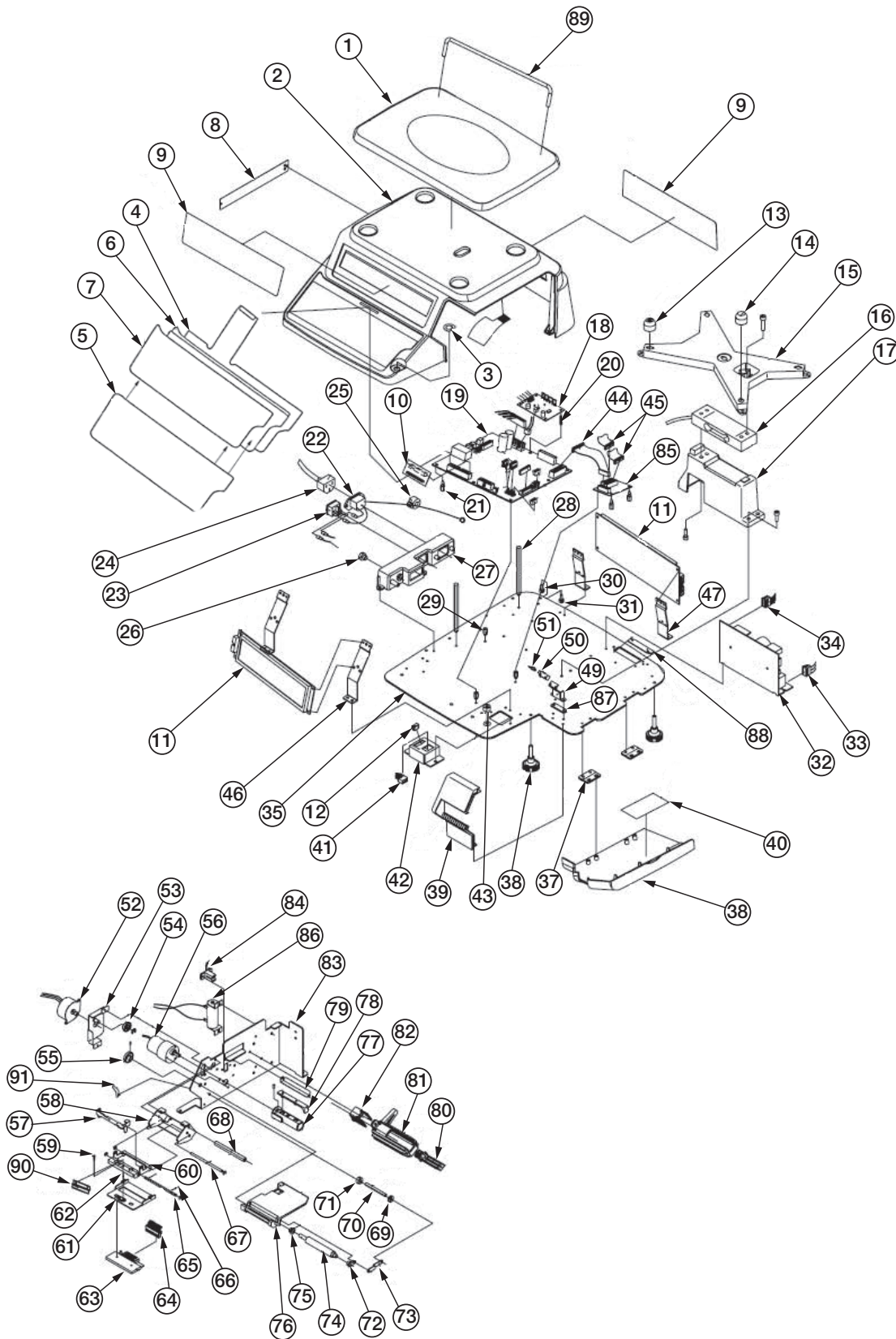
Ref#	Part#	Description	Synonym	Price
1	83777	Platter	900-4387-09	Consult
2	Consult	Case	900-5170-01	Consult
3	66351	Sheet level bench	900-4240-05	Consult
4	66347	Membrane overlay contacts	900-0467-09	Consult
5	66349	Operation overlay customer	900-4311-06	Consult
6	66348	Edit keyboard programming	900-4264-04	Consult
7	66350	Cover overlay transparent	900-0446-01	Consult
9	Consult	Panel display BC-4000	900-5175-00	Consult
10	Consult	PWB PS-041 key	900-4256-04	Consult
11	104251	Display LCD dot	900-4325-08	Consult
12	104262	Connector	900-0997-06	Consult
13	44406	Rubber plate support pin	900-0016-30	Consult
14	66402	Rubber plate support solid	900-0239-15	Consult
15	44410	Plate support spider	900-3227-11	Consult
16	80963	Load cell C2G1-25K-S18-25Kg-350	900-2490-02	Consult
17	66379	Bracket load cell	900-3226-09	Consult
18	110802	PWB PS-229A A/D	900-1377-83	Consult
19	115406	PWB PS-990 main 2M	900-8370-01	Consult
20	66353	Accessory support post	900-0968-08	Consult
21	102820	Accessory support main	900-0306-02	Consult
22	80969	Harness C4 power, includes receptacle	900-2842-37	Consult
23	66398	Switch	900-0305-09	Consult
24	80991	Power cord	900-3335-11	Consult
25	66403	Power GND cord w/ferrite filter	900-0493-15	Consult
26	44474	Plastic screw M8	900-0747-01	Consult
27	102821	Case connector	900-4283-05	Consult
28	102822	Bar hex M	900-3219-11	Consult
29	Consult	Bar hex Mf	900-0496-34	Consult
30	45128	Seal screw M4	900-0227-01	Consult
31	66394	Screw seal	900-0486-00	Consult
32	107707	Power supply CWS 100-24	089-5503-03	Consult
33	66396	Harness C3 power, in from switch	900-2841-06	Consult
34	47073	Harness S2 power, out to CPU	900-0286-11	Consult
35	Consult	Base	900-2843-40	Consult
36	79432	Foot level	900-0025-15	Consult
37	66383	Hinge	900-4296-03	Consult
38	104168	Cover side	900-4287-00	Consult
39	104169	Cover front	900-4288-03	Consult
40	66382	Sticker label roll loading	900-3617-01	Consult
41	104170	Harness TCP IP	900-5242-06	Consult
42	104171	Bracket module	900-3221-10	Consult
43	44425	Level Unit	900-5727-05	Consult
44	Consult	Display harness	900-1075-33	Consult
45	Consult	Harness LCD1 380 mm	900-3632-17	Consult
46	Consult	Bracket display front	900-0103-12	Consult
47	Consult	Bracket display rear	900-0104-34	Consult
49	104263	Bracket peel sensor	900-1057-18	Consult
50	80953	Peel sensor	089-3444-00	Consult
51	104264	Harness peel sensor	900-1348-02	Consult
52	66357	Motor stepping	900-0851-06	Consult

(Diagram BC-4000L2)

Discontinued Scales

BC-4000L2

Bench



BC-4000L2

Parts not listed are no longer available. Some parts listed may not be available.

An ISO 9001 registered company ©2021 Rice Lake Weighing Systems 09/21 Prices and specifications subject to change without notice. Visit ricelake.com for current prices.

BC-4000L2

Bench



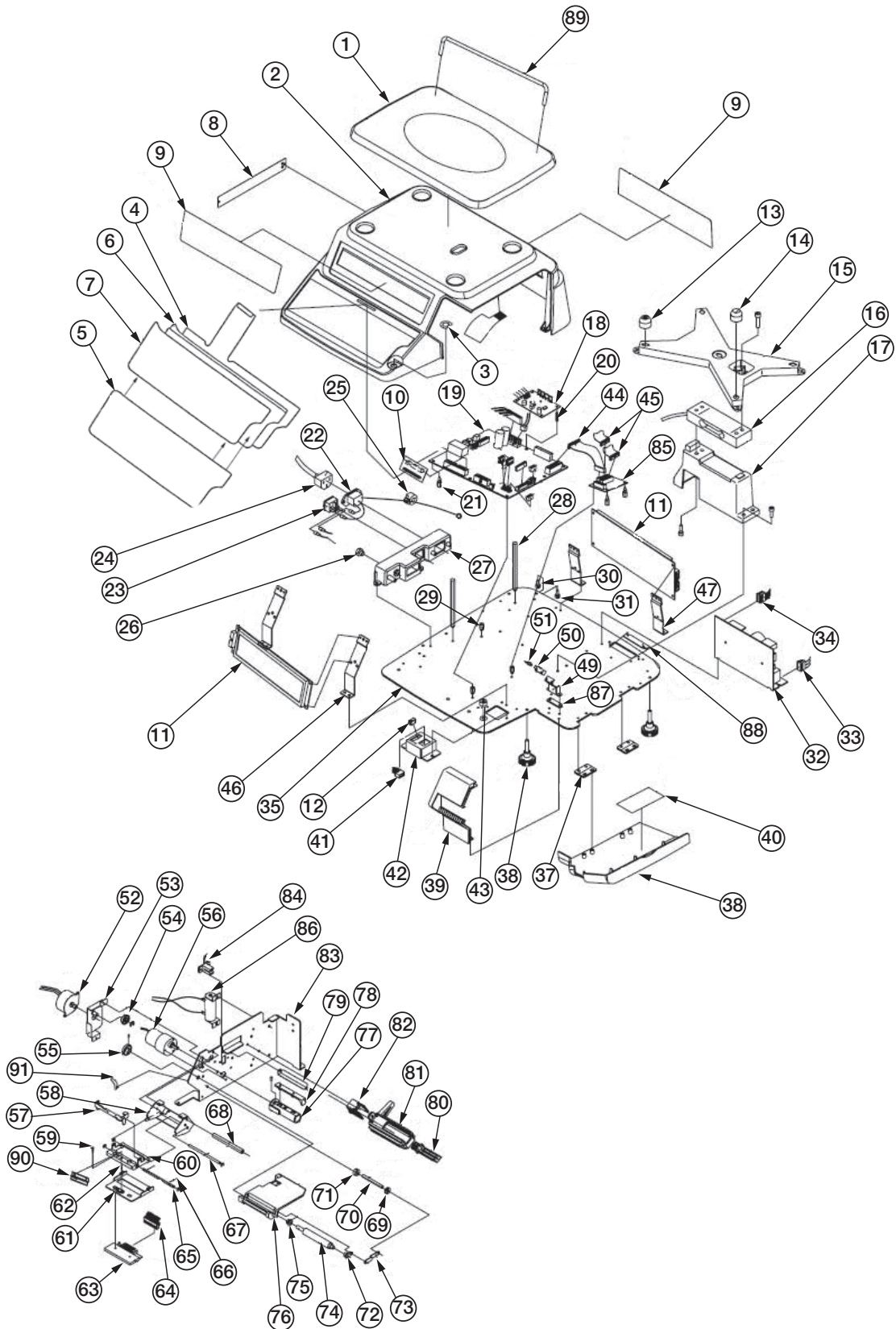
Part Number/Price

Ref#	Part#	Description	Synonym	Price
53	66358	Bracket motor	900-0898-01	Consult
54	66359	Gear spur dual	900-1065-09	Consult
55	66360	Gear spur single	900-1020-01	Consult
56	110971	Motor assembly geared	900-0837-03	Consult
57	66362	Bracket push	900-0886-15	Consult
58	66363	Frame head	900-0889-07	Consult
59	45145	Step screw pan	036-0942-00	Consult
60	Consult	Bracket lock	900-2882-27	Consult
61	66365	Bracket head	900-2883-11	Consult
62	45203	Spring coil 1	900-0848-04	Consult
63	119169	Thermal Head BHE4256SU / CHX56-8359, 1100 ohm	900-2831-18	Consult
64	104267	Harness S2 thermal head	900-2840-21	Consult
65	45222	Shaft 2	900-0845-03	Consult
66	45206	Tension spring	900-0849-08	Consult
67	45221	Shaft1	900-0844-19	Consult
68	45188	Screw shaft	900-0846-07	Consult
69	45201	Guide label	900-0897-07	Consult
70	45223	Screw shaft 2	900-0847-01	Consult
71	66367	Guide label	900-0896-03	Consult
72	66368	Bush right	900-0893-02	Consult
73	Consult	Bracket support	900-0850-21	Consult
74	108192	Roller rubber	089-4667-07	Consult
75	66370	Bush left	900-0894-06	Consult
76	66371	Table label	900-1068-00	Consult
77/78	105437	Label take-up kit, reel and lever screws)	900-1702-26	Consult
—	42714	Screw, M4x8, pan head tap		Consult
—	66375	Screw, M3x6, set		Consult
79	66374	Holder label	900-0884-09	Consult
80	66376	Lever guide label	900-0895-00	Consult
81	66377	Holder label	900-1162-16	Consult
82	66378	Holder guide label	900-1163-10	Consult
83	66352	Frame printer	900-1741-12	Consult
84	104832	Label gap sensor assembly	900-5225-02	Consult
85	104252	PWB PS-986 LCD CTL	900-2861-01	Consult
86	104172	Resistor assembly	900-2839-08	Consult
87	Consult	Base peel sensor	900-5183-00	Consult
88	Consult	Cover base bench	900-5182-06	Consult
89	83781	Platter backstop	900-4386-05	Consult
90	100747	Tear bar	900-6722-01	Consult
91	Consult	Bracket (printer side)	900-6302-00	Consult

(Diagram BC-4000L2)

BC-4000L2

Bench



BC-4000L2

Parts not listed are no longer available. Some parts listed may not be available.

An ISO 9001 registered company ©2021 Rice Lake Weighing Systems 09/21 Prices and specifications subject to change without notice. Visit ricelake.com for current prices.