

# Dimensioning

TABLE OF CONTENTS

**iDimension® Plus** ..... 342  
*Parcel Static Dimensioning System*

**iDimension® Flex Series** ..... 347  
*Pallet and Box Static Dimensioning System*

**iDimension® PWD System** ..... 349  
*Pallet Weighing and Dimensioning System*

**iDimension® LTL / LTL XL** ..... 351  
*Pallet Dimensioning System*

**iDimension® SS** ..... 354  
*Integration Software*

Product names, logos, brands and other trademarks featured or referred to within this publication are the property of their respective trademark holders.

# iDimension® Plus

Parcel Static Dimensioning System

DIMENSIONING



## Standard Features

- iDim Plus package 1 includes: base plate, telescoping pole assembly, touchscreen display, calibration object, US power cord, operating manual and assembly toolkit
- iDim Plus package 2 includes: package 1 components and a 150 lb Bench Pro shipping scale
- iDim Plus package 3 includes: dimensioning head (without pole), 10 ft Ethernet cable, USB display, calibration object, US power cord and operations manual
- No special package placement requirements
- Capable to dimension opaque packaging
- Measurement capabilities beyond Legal for Trade limits
- High resolution color image, 1920 × 1080 resolution color camera

## Options

- iDimension SS (Software Suite)
- iDimension Desktop Wedge programs for data integration
- Wired or wireless USB barcode scanner
- Rice Lake BenchPro shipping/postal scales
- Rice Lake 680 and 1280 indicators available for automation applications

## Specifications

### Power Requirements:

110 to 240 VAC

### Communication Ports:

- (2) USB A
- (1) 10/100/1000 Base-T Ethernet
- Wi-Fi 802.11 ac

### Display:

10 in (254 mm) touchscreen monitor

### Accuracy:

Certified Legal for Trade at 0.2 in (5 mm)

### Software Integration:

Simple API network integration through HTTP requests, status checking and XML parsing

### Temperature:

Certified: 32 °F to 95 °F (0 °C to 35 °C)

### Humidity:

Non-condensing

### Warranty:

Two-year limited

### Approvals:

- NTEP
- OIML
- CE
- EU MID
- FCC

## Approvals



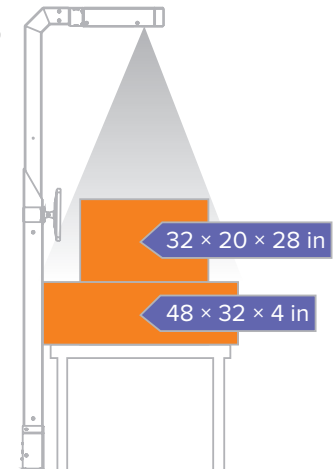
## Legal for Trade Minimum and Maximum Measurement Capability

Platform Distance	48 in (1.2m)		1.5 m		2 m XL	
Min/Max *	Min	Max	Min	Max	Min	Max
Length	2.4 in (50 mm)	39 in (1,000 mm)	2.4 inch (50 mm)	48 in (1,200 mm)	4 in (100 mm)	48 in (1,200 mm)
Width	2.4 in (50 mm)	24 in (600 mm)	2.4 inch (50 mm)	32 in (800 mm)	4 in (100 mm)	32 in (800 mm)
Height	2.4 in (50 mm)	24 in (600 mm)	2.4 inch (50 mm)	28 in (700 mm)	4 in (100 mm)	32 in (800 mm)
Division	0.2 in (5 mm)		0.2 in (5 mm)		0.5 in (10 mm)	

\*With RGB assist enabled smaller measurements are possible

## Largest Box Measurement Capability for Max Length vs. Max Height

	Pole Assembly Height	Minimum LFT Box Size	Maximum LFT Box Size
Largest Box with Max Height	48 in (1.2m)	2.4 × 2.4 × 2.4 in (50 × 50 × 50 mm)	24 × 14 × 24 in (600 × 350 × 600 mm)
Largest Box with Max Length	48 in (1.2m)	2.4 × 2.4 × 2.4 in (50 × 50 × 50 mm)	39 × 24 × 8 in (1,000 × 240 × 200 mm)
Largest Box with Max Height	60 in (1.5m)	2.4 × 2.4 × 2.4 in (50 × 50 × 50 mm)	32 × 20 × 28 in (800 × 500 × 700 mm)
Largest Box with Max Length	60 in (1.5m)	2.4 × 2.4 × 2.4 in (50 × 50 × 50 mm)	48 × 32 × 4 in (1,200 × 800 × 100 mm)



## Part Numbers/Price

Part #	Description	Price
226071	Package 1 iDimension Plus for stand alone applications	\$7,995.00
226086	Package 2 iDimension Plus with 150 lb BenchPro shipping scale	\$9,060.00
226070	Package 3 iDimension Plus without pole	\$6,295.00

## Options/Accessories

Part #	Description	Price
--------	-------------	-------

### Kit Mounting Options

174660	Floor stand for 2 meter sensor height over a work surface or conveyor. Includes pn 206583 hardware and cable, and pn 184262 display RAM mounting kit	\$1,720.00
198708	Mounting hardware and cable assembly kit with 25 ft North American power cord	\$175.00
206583	Mounting hardware and cable assembly kit without power cord	\$175.00
184262	iDimension USB operator display RAM® mount kit	\$145.00

### Accessories

225778	Portable cart, 24 × 48 in with flush shelves for iDim Plus, writing shelf and storage pocket. 2 rigid, 2 swivel 9 in pneumatic wheels, 1,200 lb capacity	\$2,305.00
225776	Portable power supply for mobile cart. 1500 watts with AC inverter and 3 120VAC outlets, two USB-A, two USB-C ports. Digital display with battery life, current draw and hours remaining. Recharge in 5 hours	\$1,795.00
180007	Powered Industrial USB 4-Port Hub with USB cable	\$280.00
222125	Power cord, detachable, German/French, 2.5 m, CEE 7/7, Type E plug	\$25.00
95589	Power cord, detachable, UK, 2.5 m, BS1363 Type G plug	\$25.00
162630	Power cord, detachable, AU / NZ, 2.5 m, 1332 Type 1 plug	\$55.00
178501	RS-232/USB cable, for use with compatible indicators	\$60.00
180771	Shipping software integration kit includes four-port industrial USB hub, power adapter and USB cables to connect computer and dimensioner	\$430.00

### Barcode Scanner

206225	Wireless Honeywell 1981IFR-3USB-5-N long-range barcode scanner	\$1,800.00
206228	Power supply for PN 206225	\$75.00

### Optional Integration Solutions

203010	iDimension Desktop Wedge requires Windows 10 or newer (Available for free download at <a href="http://www.ricelake.com">www.ricelake.com</a> )	N/C
175812	iDimension SS (software suite) web server software requires Windows 10 or newer	\$2,250.00

### Factory Service and Support

202027	Up to 2 hours iDim Plus remote support, includes initial configuration and scale setup, iDimension Desktop Wedge installation and operator training.	\$250.00/Unit
224425	One-time license fee at time of purchase.	\$595.00

### Extended Warranty – Two-year standard

202030	iDimension Plus one-year optional extended warranty	\$750.00
--------	---	----------



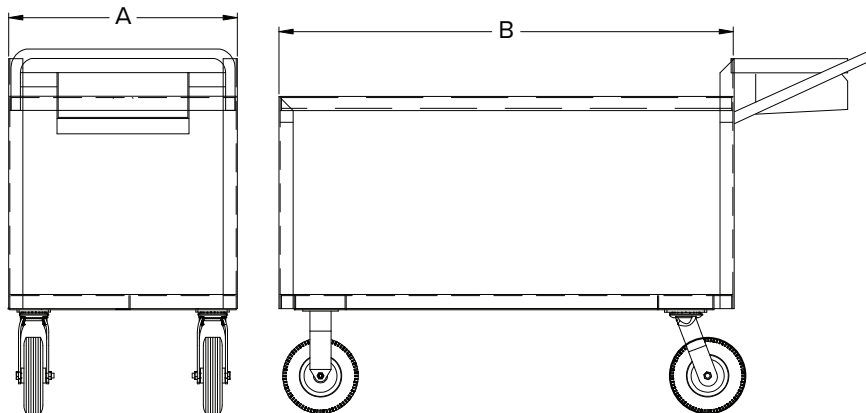
Portable cart



Shown with ELS (Elevated Load Cell Stand) legs found on page 604, conveyor not included

## Dimensions

Portable Cart		
A	63.20 in (1,605 mm)	B 60.20 in (1,529 mm)



# iDimension® Plus

Parcel Static Dimensioning System

DIMENSIONING

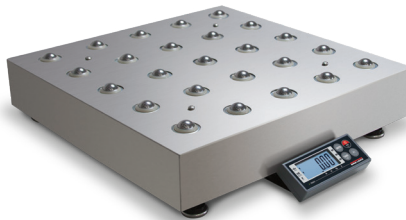
## Part Numbers/Price

Rice Lake BenchPro Compatible Scales		
Postal Scale 12 × 14 in (305 × 356 mm) Weigh Platter		
194625 *	Model BP 1214-35P - 70 lb × 0.2 oz (35 kg × 0.01 kg), multi-range and multi-interval postal scale, painted mild steel weigh platter	\$725.00
Shipping Scale 12 × 14 in (305 × 356 mm) Weigh Platter		
184585	Model BP 1214-75S, 150 × 0.05 lb (75 × 0.02 kg), painted mild steel weigh platter	\$725.00
Shipping Scale 18 × 18 in (457 × 457 mm) Weigh Platter		
202191	Model BP 1818-75S, 150 × 0.05 lb (75 × 0.02 kg), painted mild steel weigh platter	\$1,590.00
201730	Model BP 1818-75S, 150 × 0.05 lb (75 × 0.02 kg), ball top weigh platter	\$1,835.00
202190	Model BP 1818-75S, 150 × 0.05 lb (75 × 0.02 kg), roller conveyor weigh platter	\$1,650.00
Shipping Scale 20 × 20 in (508 × 508 mm) Weigh Platter		
182396	Model BP 2020-150S, 300 × 0.1 lb (150 × 0.05 kg), painted mild steel weigh platter	\$1,805.00
182397	Model BP 2020-150S, 300 × 0.1 lb (150 × 0.05 kg), ball top weigh platter	\$2,035.00
182398	Model BP 2020-150S, 300 × 0.1 lb (150 × 0.05 kg), roller conveyor weigh platter	\$1,769.00
Shipping Scale 24 × 24 in (610 × 610 mm) Weigh Platter		
182400	Model BP 2424-150S, 300 × 0.1 lb (150 × 0.05 kg), painted mild steel weigh platter	\$2,005.00
182401	Model BP 2424-150S, 300 × 0.1 lb (150 × 0.05 kg), ball top weigh platter	\$2,240.00
182402	Model BP 2424-150S, 300 × 0.1 lb (150 × 0.05 kg), roller conveyor weigh platter	\$1,939.00

\*USB HID interface not available when in the postal scale lb/oz mode



Model BP 1214-S with mild steel weigh platter



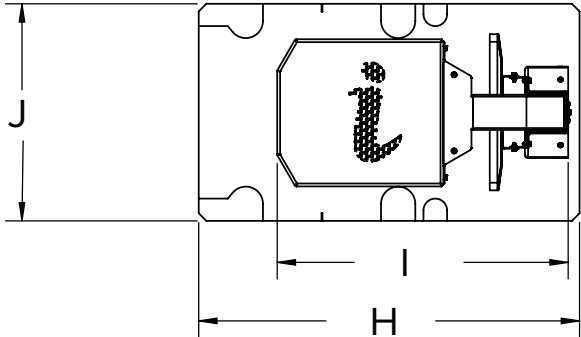
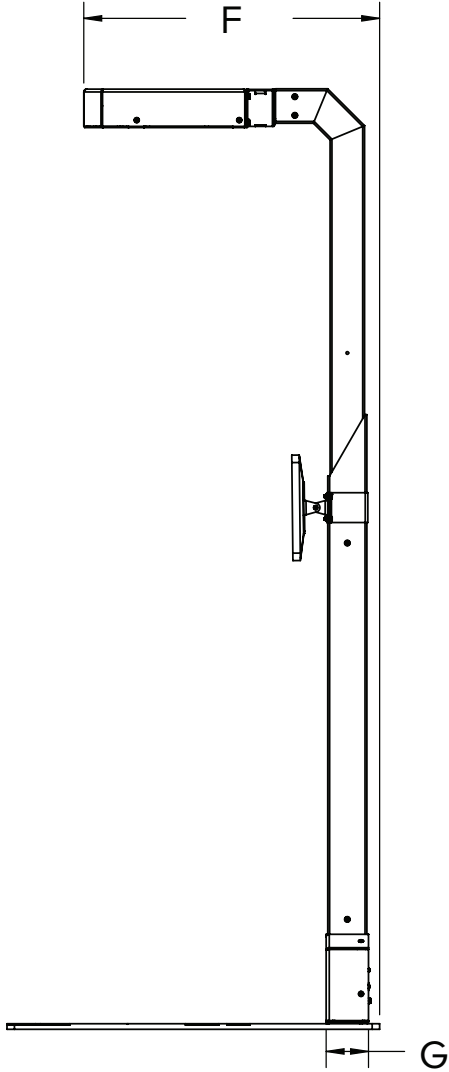
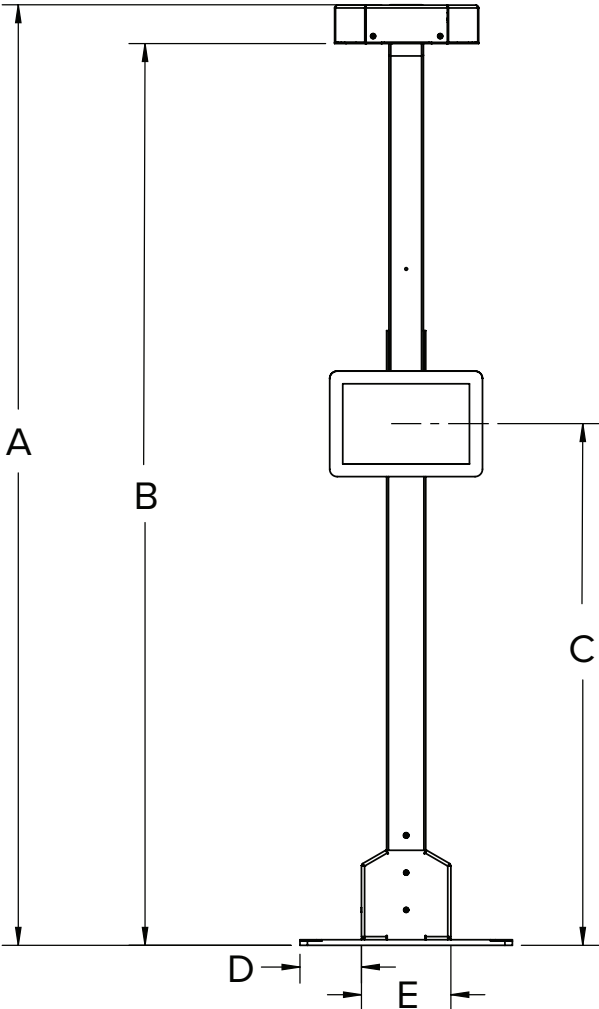
Model BP 1818-S with ball top weigh platter



Model BP 2424-S with roller conveyor weigh platter

**Dimensions**

iDimension Plus			
A	63.10 in (1,603 mm)	F	19.85 in (504 mm)
B	60.50 in (1,537 mm)	G	2.84 in (72 mm)
C	35.00 in (889 mm)	H	25.00 in (635 mm)
D	4.13 in (105 mm)	I	19.10 in (485 mm)
E	6.00 in (152 mm)	J	14.25 in (362 mm)



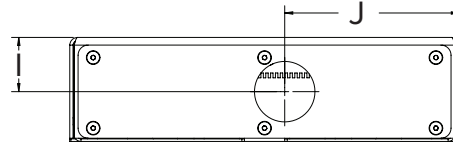
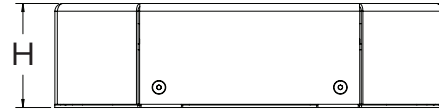
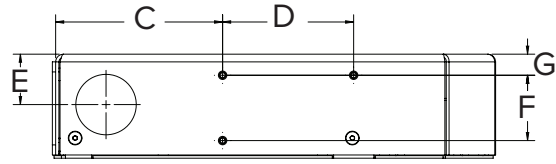
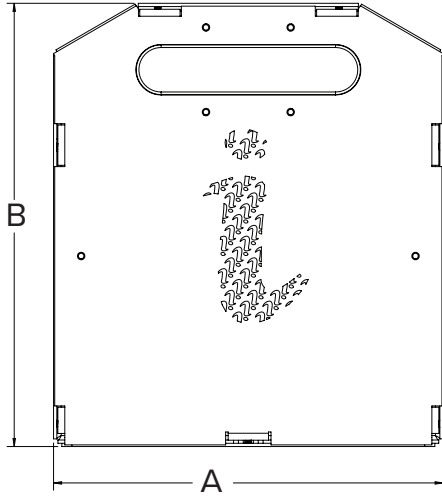
# iDimension® Plus

Parcel Static Dimensioning System

DIMENSIONING

## Dimensions

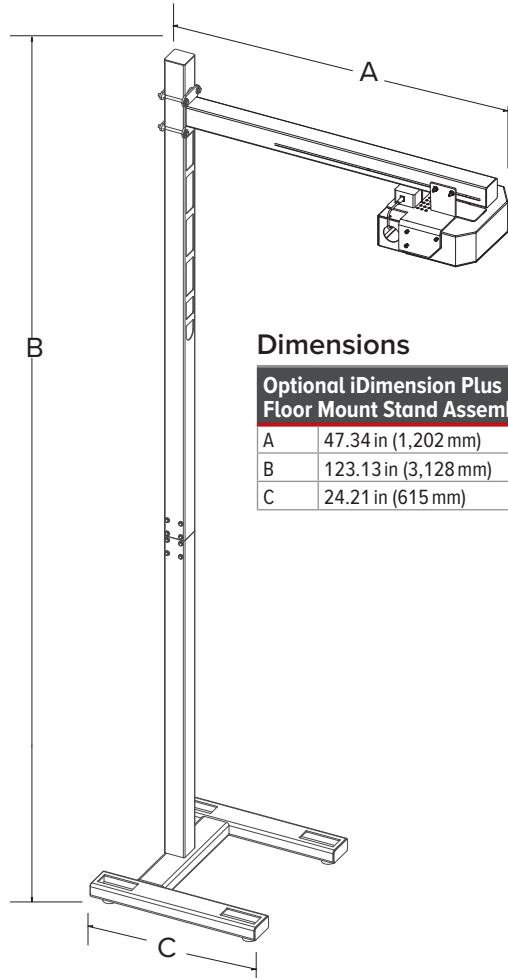
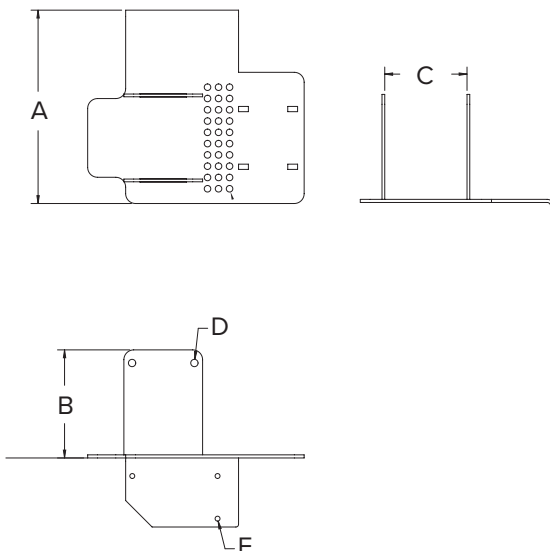
iDimension Plus Scanning Head Assembly			
A	9.66 in (229 mm)	F	1.62 in (15 mm)
B	10.99 in (216 mm)	G	0.52 in (41 mm)
C	4.14 in (183 mm)	H	2.58 in (38 mm)
D	3.25 in (84 mm)	I	1.35 in (114 mm)
E	1.25 in (51 mm)	J	4.33 in (38 mm)



## Dimensions

iDimension Plus Mounting Bracket - PN 198708	
A	7.37 in (187 mm)
B	4.12 in (105 mm)
C	3.14 in (80 mm)
D	2x Ø.28
E	3x Ø.19

Use this bracket to mount scanner head to the optional floor stand 174660 or to user provided structure



## Dimensions

Optional iDimension Plus Floor Mount Stand Assembly	
A	47.34 in (1,202 mm)
B	123.13 in (3,128 mm)
C	24.21 in (615 mm)

# iDimension® Flex Series

Pallet and Box Static Dimensioning System

DIMENSIONING



Suspended or Free-standing mount options available

## Standard Features

- Floor mounted free-standing frame or suspend from the ceiling
- One high resolution camera (one additional camera available)
- Install/integrate with a floor scale, conveyor or pallet stretch wrapper
- Easy two-person assembly
- Legal for Trade dimensions in under 2 seconds
- Network integration tool kit
- Top side junction box

## Applications

- Pallet dimensioning, above a target zone, scale, conveyor or stretch wrapper to dimension cuboidal and irregular freight.

## Options

- Kiosk pedestal base available
- Second high resolution camera
- Additional sensor to assist reading black stretch film
- Weigh scale and indicator not included

## Specifications

### Legal for Trade Measurement Capability:

Min: 12 × 12 × 12 in (300 × 300 × 300 mm)  
Max: 72 × 72 × 96 in (1,828 × 1,828 × 2,438 mm)

### Power Requirements:

110 to 240 VAC  
25 ft (7.62 m) U.S. power cable included

### Communication Ports:

Ethernet TCP/IP, USB, Serial RS232

### Temperature:

14 °F to 104 °F (-10 °C to 40 °C)

### Humidity:

0 to 90% non-condensing

### Warranty:

Two-year limited  
Five-year limited, sensors only

### Approvals:

NTEP 19-076A3  
OIML  
CE Marked  
FCC  
MID Certified

## Approvals



## Part Numbers/Price

Part #	Description	Price
219294	Free-standing 80/20 frame, four-sensors, one camera, industrial PC, kiosk, software integration tool kit, REST API	\$27,500.00
219292	Suspend from ceiling, four-sensors, one camera, industrial PC, kiosk, software integration tool kit, REST API. Mounting hardware sold separately	\$25,000.00

## Options/Accessories

Part #	Description	Price
<b>Accessories</b>		
200168	2.4 mm POE network camera	\$875.00
219194	Kiosk pedestal base	\$895.00
220137	Mounting kit to attach kiosk to 219294 free-standing Flex	\$250.00
212260	Kiosk shelf for printer or scanner	\$350.00
220146	Optional 5th sensor to assist with scanning black stretch film	\$2,795.00
205283	80/20 mounting kit, 25 ft high max ceiling height	\$3,295.00
188757	Aircraft wire kit for ceilings less than 35 ft	\$1,795.00
214187	RoughDeck floor scale 5 × 5 ft HC, 2,500 kg, flat black paint, Measurement Canada Certified	\$2,645.00
213921	RoughDeck floor scale 5 × 5 ft HP, 5,000 lb, flat black paint, NTEP Certified	\$2,645.00
86873	Bumper guard, HP 5 ft	\$180.00
213999	RoughDeck ramp, 5 ft	\$860.00
200183	680 Plus Indicator, LED display, 115 to 230 VAC with RJ45, US power cord. Alternately, choose a 1280 for automation applications.	\$1,135.00
<b>Barcode Scanner</b>		
225020	QuickScan QD2590 USB barcode scanner	\$345.00
206229	Honeywell wireless long-range TCP/IP barcode scanner kit	\$2,695.00
<b>Factory Service and Support</b>		
224761	One time license fee at time of purchase	\$1,195.00
FLD-Install	iDimension field install/training day, travel and expenses not included	\$1,395.00
202029	Hourly rate scheduled integration services remote session	\$145.00/hr
<b>Extended Warranty – Two-year standard</b>		
202033	iDimension Flex/PWD/LTL additional one-year extended warranty	\$1,200.00



iDimension Flex Series Kiosk

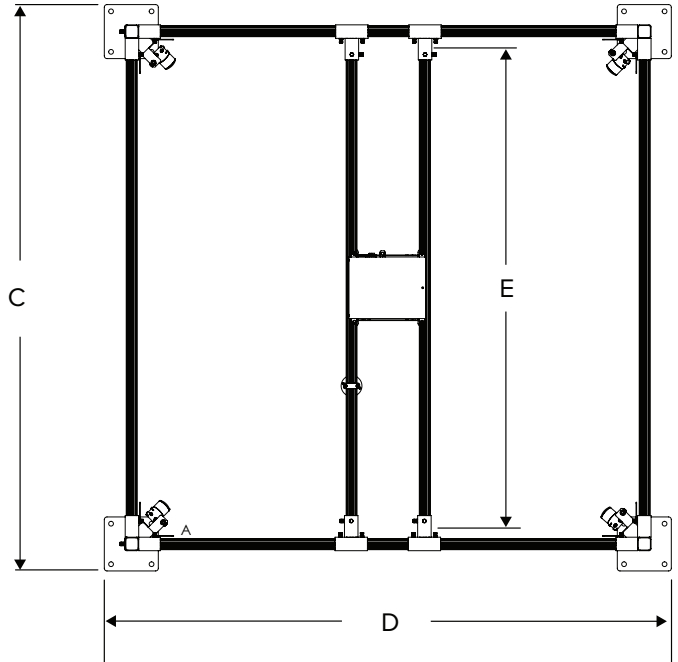
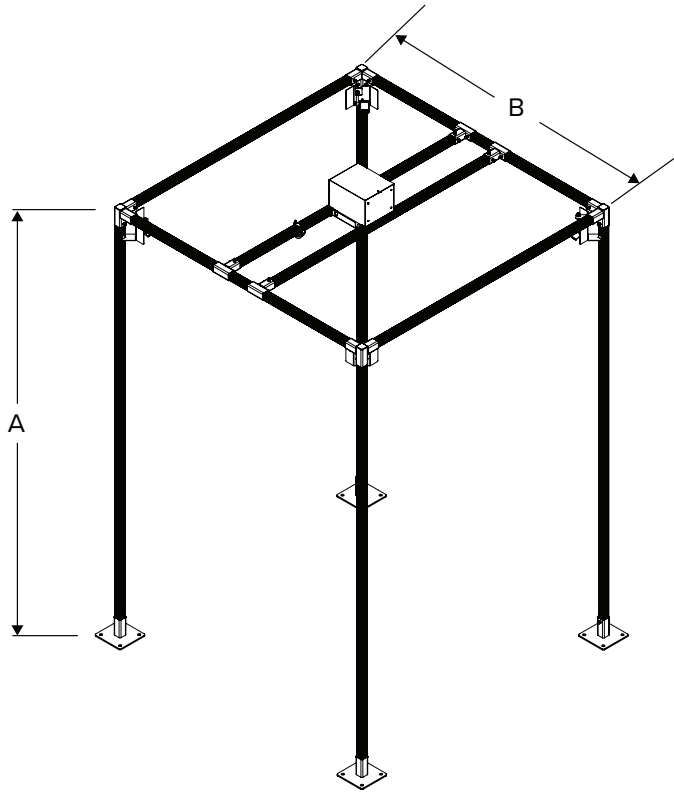
iDimension Flex Series Kiosk with Optional Pedestal

# iDimension® Flex Series

Pallet and Box Static Dimensioning System

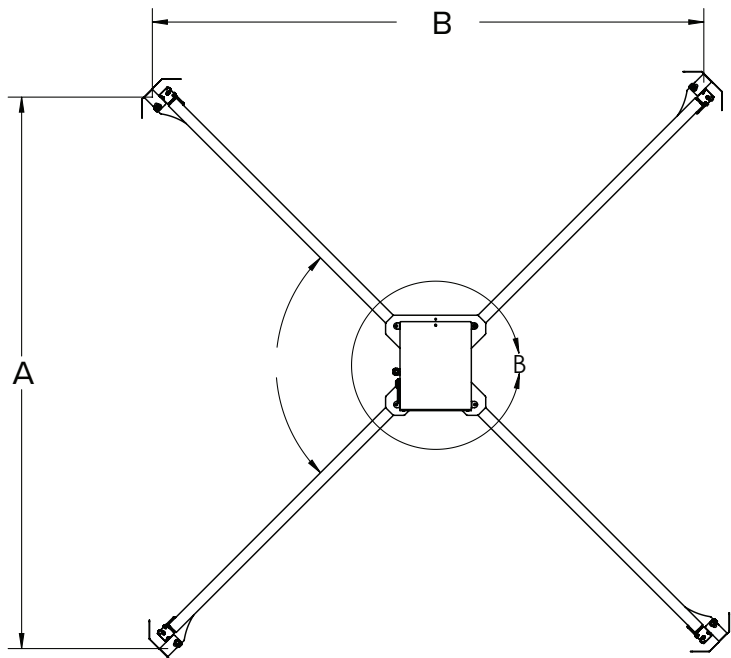
## Dimensions

iDimension Flex Free Standing	
A	145.38 in (3,693 mm) max
B	93.00 in (2,362 mm)
C	104.88 in (2,664 mm) max
D	105.00 in (2,667 mm) max
E	85.08 in (2,161 mm)



## Dimensions

iDimension Flex Suspension	
A	88.12 in (2,238 mm)
B	88.12 in (2,238 mm)





# iDimension® PWD System

Pallet Weighing and Dimensioning System

DIMENSIONING



## Standard Features

- Includes: iDimension PWD, kiosk, panel mounted scale indicator, 5 × 5 ft 5,000 lb scale, calibration object, accuracy test box, operators and assembly manuals
- Integrated 5 × 5 ft floor scale, 5,000 lb capacity
- Pallet tare mode can measure objects on a pallet by excluding the pallet from the measurement (not Legal for Trade)
- Simple API network integration through HTTP requests, status checking and XML parsing
- Assembly and installation in less than a day
- One high resolution camera (one additional camera available)

## Options

- Second high resolution camera
- Bar code scanner and/or printer
- Access ramps for pallet jack access
- Overhead fifth sensor recommended for dimensioning highly reflective, IR sensitive or black pallet shrink wrap

## Software Integration Tools

- iDimension Desktop Wedge
- Simple API network integration through HTTP requests, status checking and XML parsing
- iDimension SS for storing data, images and transferring data to ERP and WMS systems

## Specifications

### Legal for Trade Measurement Capability:

Min: 6 × 6 × 6 in (152 × 152 × 152 mm)  
Max: 72 × 72 × 72 in (1,829 × 1,829 × 1,829 mm)

### Power Requirements:

110 to 240 VAC with 25 ft (7.62 m) power cable included

### Measurement Increment:

0.5 in (1 cm)

### Performance Characteristics:

Weight and dimensions in two seconds or less  
Most surfaces are captured; transparent/translucent and glossy surfaces may provide a variance

### Item Placement:

Centered on floor scale for best performance

### Minimum Pallet Height:

4.25 in (108 mm) wood pallets

### Shapes:

Solid shapes, 3 in (76 mm) protrusions will be included in dimensions

### Lighting Conditions:

Operates in any indoor lighting environment

### Temperature:

Operating:  
14 °F to 104 °F (-10 °C to 40 °C)

### Humidity:

0 to 90% non-condensing

### Warranty:

Two-year limited  
Extended warranty available for purchase

### Packaging Dimensions:

Crate 1: 101 × 80 × 30 in; 1,690 lb  
(257 × 203 × 76 cm)  
Crate 2: 83 × 68 × 35 in; 900 lb  
(210 × 173 × 90 cm)

### Approvals:

NTEP 19-076  
OIML R129-2000-A-NL1-24.04  
EU MID T12563  
CE  
FCC

## Approvals



## Part Numbers/Price

Part #	Description	Price
199318	iDimension PWD System	\$38,995.00

## Options/Accessories

Part #	Description	Price
<b>System Options</b>		
200168	Second high resolution 2.4 mm POE network camera	\$875.00
199665	iDimension PWD pallet jack ramp	\$945.00
199666	Optional 5th overhead sensor	\$2,095.00
212260	Kiosk shelf for optional scanner and printer	\$350.00
<b>Scanning and Printing Options</b>		
206229	Wireless Honeywell long-range TCP/IP scanner kit for use with iDimension SS Software	\$2,695.00
225020	QuickScan QD2590 USB barcode scanner	\$345.00
212410	Zebra ZD421D printer, direct thermal	\$880.00
37345	Label, roll 5 in dia, 1 in core	\$24.00
<b>Optional Integration Solutions</b>		
203010	iDimension Desktop Wedge (Windows 10 required)	N/C
175812	iDimension SS (software suite) web server software (Windows 10 required)	\$2,250.00
<b>Factory Service and Support</b>		
224761	One time license fee at time of purchase.	\$1,195.00
FLD-INSTALL	iDimension field install and training day, travel and expenses not included	\$1,395.00
202029	Hourly rate scheduled integration services remote session	\$145.00
<b>Extended Warranty – Two-year standard</b>		
202033	iDimension Flex/PWD/LTL additional one-year extended warranty	\$1,200.00

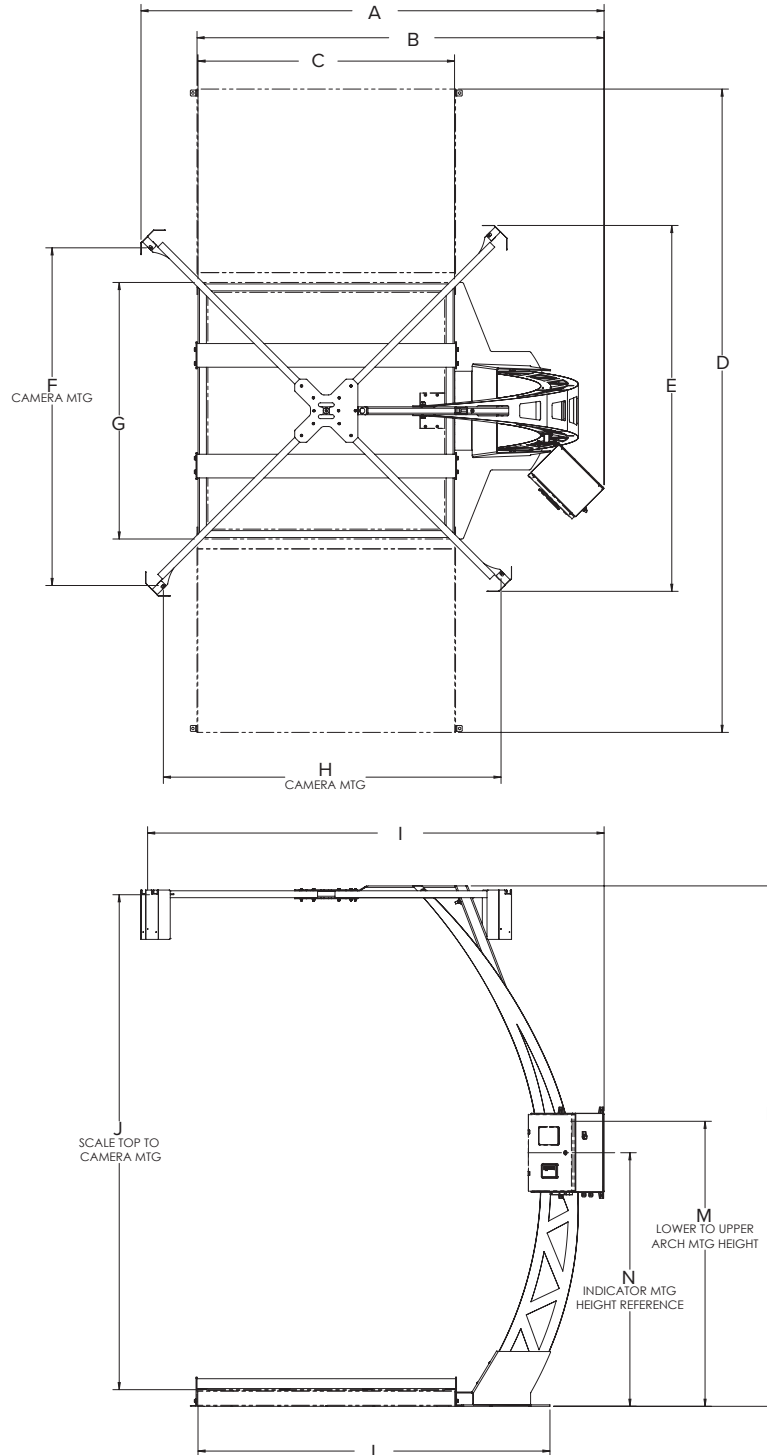
# iDimension® PWD System

Pallet Weighing and Dimensioning System

DIMENSIONING

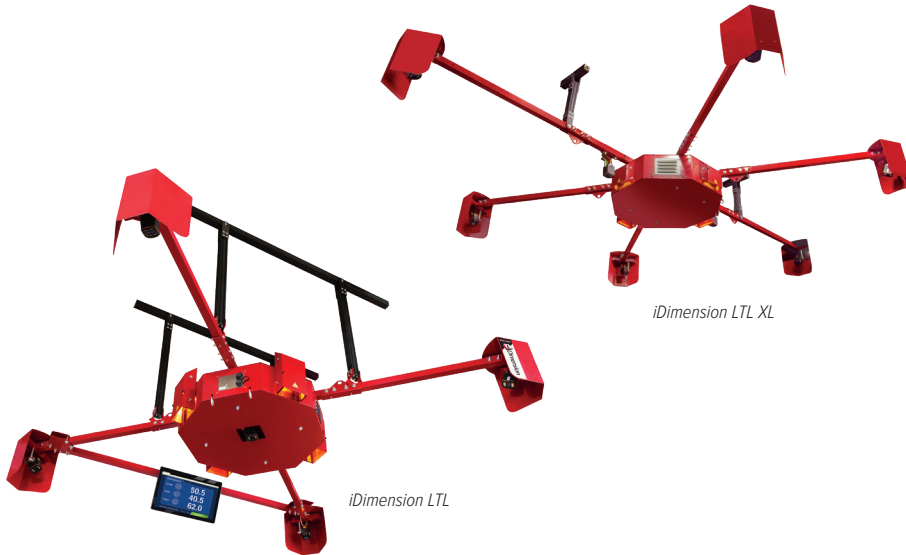
## Dimensions

iDimension PWD					
A	117.34 in (2,980 mm)	F	85.56 in (2,173 mm)	K	131.86 in (3,349 mm)
B	103.14 in (2,620 mm)	G	65.00 in (1,651 mm)	L	89.18 in (2,265 mm)
C	65.00 in (1,651 mm)	H	85.56 in (2,173 mm)	M	72.22 in (1,834 mm)
D	163.00 in (4,140 mm)	I	115.66 in (2,938 mm)	N	64.25 in (1,632 mm)
E	92.70 in (2,355 mm)	J	125.41 in (3,185 mm)		



# iDimension® LTL / LTL XL

Pallet Dimensioning System



iDimension LTL XL

iDimension LTL

## Approvals



## Part Numbers/Price

Part #	Description	Price
194205	iDimension LTL	\$52,995.00
202974	iDimension LTL XL	\$61,450.00

## Options/Accessories

Mounting Options		
205283	80/20 ceiling mount kit (25 ft ceiling max)	\$3,295.00
188757	Aircraft cable ceiling mounting kit (35 ft ceiling max)	\$1,795.00
System Options		
188755	2.4 mm POE network camera – second high resolution camera	\$875.00
222641	Work area and target zone blue LED light kit	\$3,400.00
193830	LTL 21.5 in commercial forklift operator display kit	\$2,995.00
205286	LTL-XL 21.5 in commercial forklift operator display kit	\$2,995.00
223035	10 m EU power cord	\$45.00
223036	10 m UK power cord	\$45.00
223037	10 m AU power cord	\$45.00
PC Options		
205073	12 in HMI PC and Ram mount kit for desk or wall	\$6,500.00
202214	HMI PC overhead Ram mounting kit on iDimensioner LTL	\$215.00
205287	HMI PC overhead Ram mounting kit on iDimensioner LTL XL	\$215.00
174659	HMI PC floor stand and guard rail kit	\$1,250.00
212433	7 in HMI PC and Ram mounting kit for forklift	\$3,250.00
Optional Integration Solutions		
203010**	iDimension Desktop Wedge (Windows 10 required)	N/C
175812	iDimension SS (software suite) web server software (Windows 10 required)	\$2,250.00
201447	iDimension SS real-time status display desktop app (Stop & Go)	\$250.00
201448	iDimension SS standalone forklift data management web app (Stop & Go)	\$250.00
Scanning and Printing Options		
206229	Wireless Honeywell long-range TCP/IP scanner kit	\$2,695.00
212410	Zebra ZD421D printer, direct thermal	\$880.00
37345	Label, roll 5 in dia, 1 in core	\$24.00

\*Requires factory support and training on first installation of iDimension LTL

\*\*Available for free download at [www.ricelake.com](http://www.ricelake.com)

## Standard Features

- 360° fork truck access for easy pallet placement in the target zone
- Displays dimensions in 2 seconds
- Minimal set up and training required
- Bounding box images identify measurement cube
- Color camera
- Download iDimension Pallet Dimensioning Firmware V6.0.3.3655

## Options

- Second color camera
- Work area and target zone LED light kit
- 21.5 inch operator display provides instantaneous feedback to the forklift or pallet jack operator
- iDimension SS for storing data and images transferring data to ERP and WMS systems
- Stop & Go activation

## Specifications

### Legal for Trade Measurement Capability:

LTL Drop and Clear:  
 Min: 12 × 12 × 12 in (30 × 30 × 30 cm)  
 Max: 96 × 96 × 96 in (244 × 244 × 244 mm)  
 LTL XL Drop and Clear:  
 Min: 12 × 12 × 12 in (30 × 30 × 30 cm)  
 Max: 96 × 96 × 144 in (244 × 244 × 365 cm)  
 Stop & Go:  
 Min: 12 × 12 × 12 in (30 × 30 × 30 cm)  
 Max: 72 × 72 × 84 in (183 × 183 × 213 cm)

### Power Requirements:

110 to 240 VAC  
 25 ft (7.62 m) power cable included

### Measurement Increment:

NTEP: 0.5 in  
 OIML: 2 cm

### Dimensioning Speed:

Within 2 seconds from trigger to scan complete

### Performance Characteristics:

Most surfaces are captured, including black plastic shrink wrap. Transparent/translucent and glossy surfaces may provide a variance.

### Stop & Go Measurement

#### Performance Characteristics:

Stop-trigger-go 2 seconds for Legal for Trade results. Best when used with a Rice Lake Legal for Trade forklift scale.

### Item Placement:

Single pallet within the center of the target zone for best performance

### Minimum Pallet Height:

4.25 in (108 mm) wood pallets

### Minimum Ceiling Height:

12.75 ft

### Shapes:

Solid shapes, 3 in (76 mm) protrusions will be included in dimensions

### Lighting Conditions:

Operates in any indoor lighting environment

### Temperature:

Operating:  
 14 °F to 104 °F (-10 °C to 40 °C)

### Humidity:

0 to 90% non-condensing

### Warranty:

Two-year limited  
 (extended warranty available for purchase)  
 Sensors: five-year limited

### Approvals:

NTEP 19-076  
 OIML R129-2000-A-NL1-24.04  
 EU MID T12563  
 FCC  
 CE

# iDimension® LTL / LTL XL

Pallet Dimensioning System

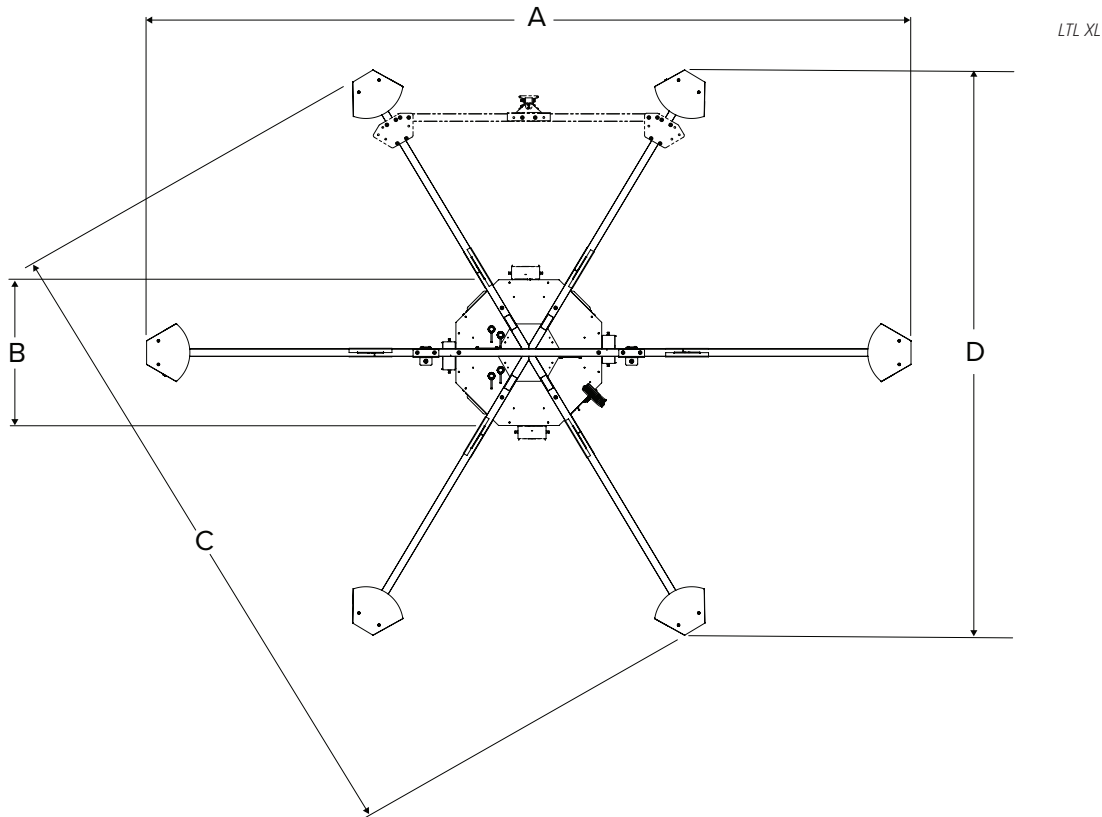
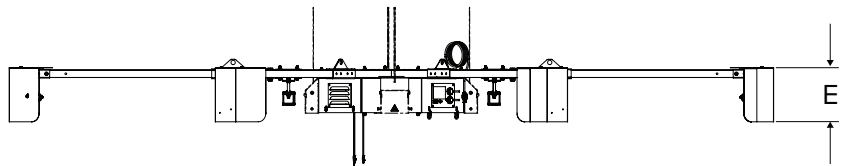
DIMENSIONING

## Part Numbers/Price

Part #	Description	Price
<b>iDimension LTL Stop &amp; Go</b>		
198480	Stop & Go activation license key	\$7,000.00
212337	Stop & Go reflector post kit for Universal Class II 34 in forklift carriages	\$225.00
193858	Rice Lake CLS forklift scale cover with Stop & Go reflectors	\$145.00
<b>Floor Scale Options</b>		
213921	RoughDeck floor scale, 5 × 5 ft HP, 5,000 lb, flat black paint, NTEP Certified	\$2,645.00
214187	RoughDeck floor scale, 5 × 5 ft HC, 2,500 kg, flat black paint, Measurement Canada Certified	\$2,645.00
213922	RoughDeck floor scale 5 × 7 ft HP, 5,000 lb, flat black paint, NTEP Certified	\$3,125.00
86820	Bumper guard, HP 7 ft	\$395.00
86873	Bumper guard, HP 5 ft	\$180.00
213999	RoughDeck ramp, 5 ft	\$860.00
200183	680 Plus Indicator, LED display, 115 to 230 VAC with RJ45, US power cord. Alternately, choose a Rice Lake 1280 for automation applications.	\$1,135.00
<b>Factory Service and Support</b>		
194215	One time license fee at time of purchase.	\$1,995.00
FLD-INSTALL	iDimension field install and training/day, travel and expenses not included	\$1,395.00
202029	Hourly rate scheduled integration services remote session	\$145.00
<b>Extended Warranty – Two-year standard</b>		
202033	iDimension PWD/LTL additional one-year extended warranty	\$1,200.00

## Dimensions

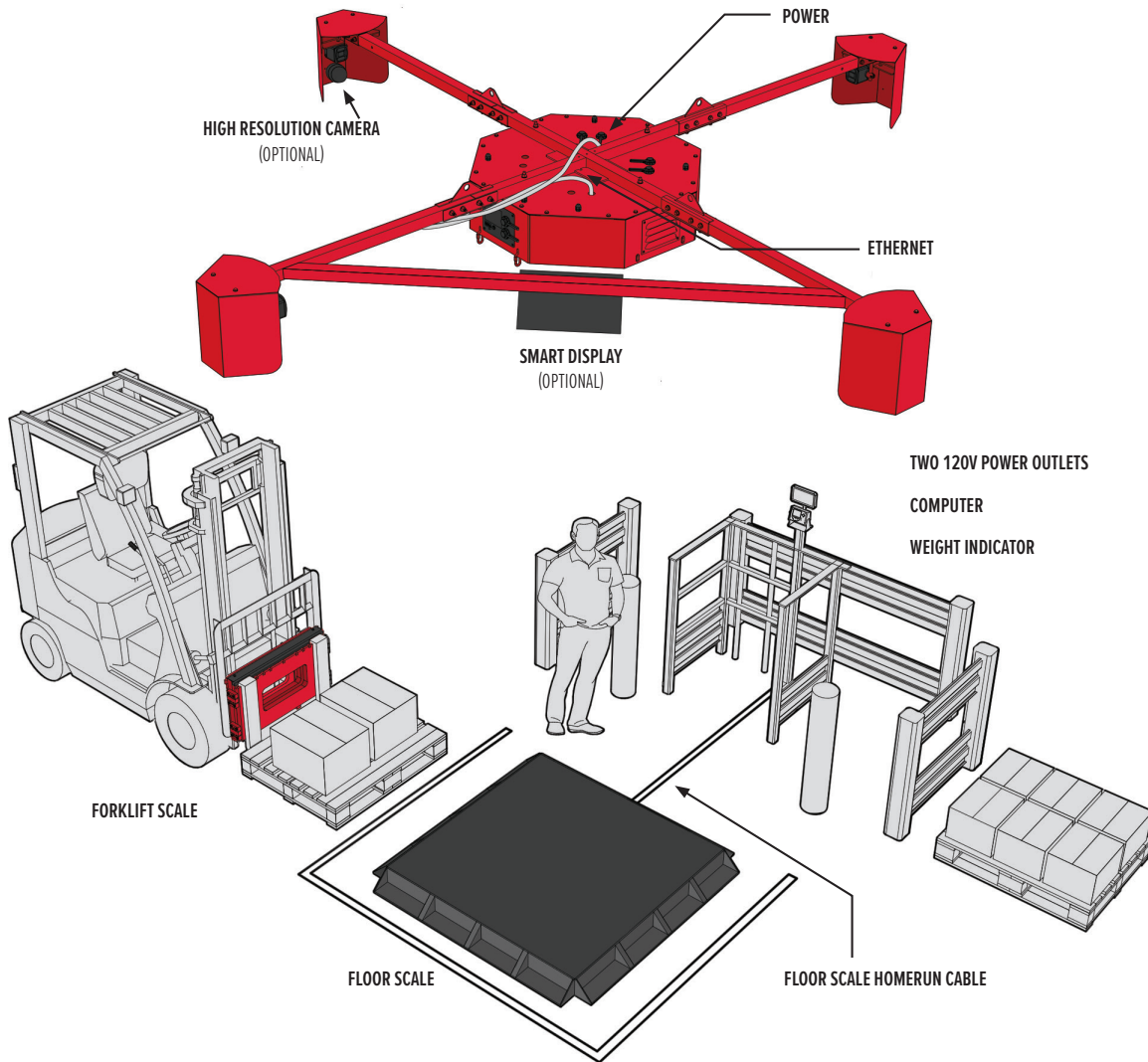
iDimension LTL XL	
A	178.28 in (4,528 mm)
B	34.00 in (864 mm)
C	150.44 in (3,821 mm)
D	131.83 in (3,348 mm)
E	12.64 in (321 mm)



# iDimension® LTL / LTL XL

Pallet Dimensioning System

DIMENSIONING

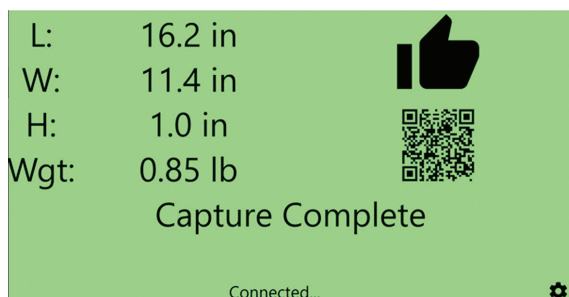
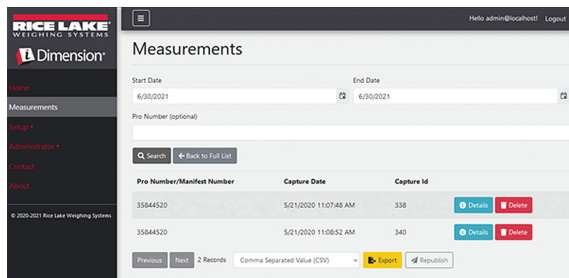
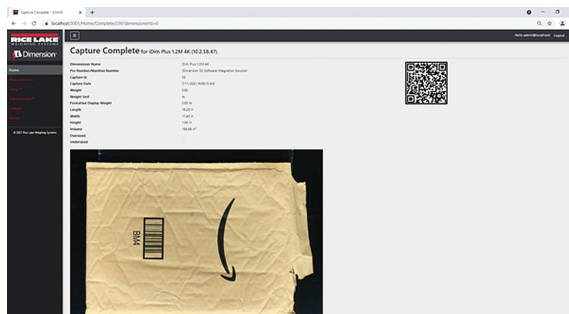
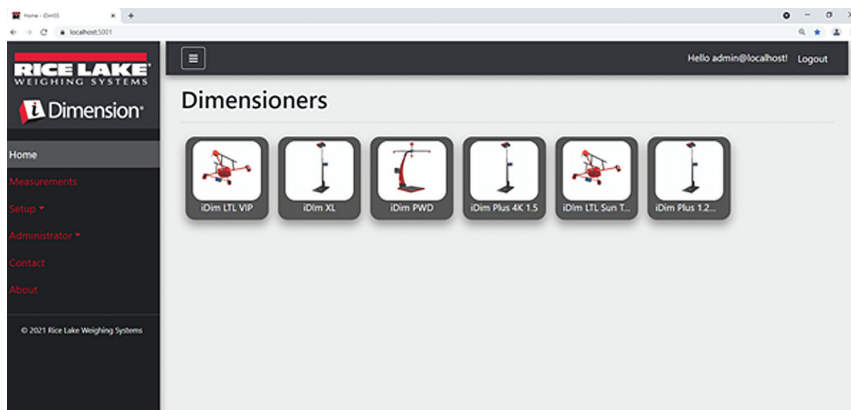


## System Overview

# iDimension® SS

Integration Software

DIMENSIONING



iDimension SS is a robust, dynamic application for managing scan data captured by iDimension Dimensioning Solutions.

## Standard Features

- Automatically display and/or transmit density and NMFC freight class
- Real-time data access and triggering via REST API Swagger API development toolkit included
- Supported peripherals include bar code scanners and label printers
- Measurement database – configurable for capturing and transferring:
  - Identification #, i.e. Pro or sales order number
  - Dimensions L x W x H
  - Scale or manual keyboard weight entry
  - Volume
  - Three configurable user fields
  - Color high resolution images
  - Bounding box images
  - Volumetric conversion
  - Email notification alerts
  - Error logging
- Digital remote I/O configuration for use with PLCs
- Shipping method analyzer for girth and volume analysis thresholds in conjunction with the iDimension SS real-time display desktop application
- Local data storage
- Automatic data export, options include FTP, SFTP, FTPS and SMB configurable
- Data export, including image format composition and annotations available in data export provides output in CSV, JSON, XML and TXT file formats
- QR code display for alternate input into MRP, TMS and WMS systems
- Error logging with high resolution image capture
- Role-based security model protects data and prevents unwanted configuration changes
- Comprehensive application log files available to download
- Forklift database for use with Stop & Go

*SQLite database maximum size capabilities is dependent upon file system type.*

## System Requirements

- Windows 10 build 1607 or newer (64-bit only)
- 2.0 GHz processor or faster
- 250 MB hard disk space needed for install
- 8 GB RAM or greater
- Ethernet TCP/IP communication to dimensioning devices plus optional scanners, printers and Rice Lake Weighing 680 and 1280 scale indicators
- Supported web browser (Chrome®, Microsoft Edge®, Firefox®, Safari®)

## Part Numbers/Price

Part #	Description	Price
203010***	iDimension Desktop Wedge (Windows 10 required)	N/C
175812	iDimension SS (software suite) web server software (Windows 10 required)	\$2,250.00
201447	iDimension SS real-time status display desktop app (Stop & Go)	\$250.00
201448	iDimension SS standalone forklift data management web app (Stop & Go)	\$250.00

\*\*\* Available for free download at [www.ricelake.com](http://www.ricelake.com)

