

RoughDeck® BDP Mild Steel

Barrel, Drum, Pallet Scale – Stationary Model



Approvals



Measurement
Canada
Approved



Part Number/Price

| Part # | Size (W × L) Not Including Side Rails | Capacity (Canadian Approved Capacities) | Est. Weight | Price |
|--------------|---------------------------------------|---|-------------|---------|
| 77962 | 30 × 31 in | 1,000 lb (500 kg) | 205 lb | Consult |
| 77963 | 30 × 31 in | 2,500 lb (1,000 kg) | 205 lb | Consult |
| 77964 | 36 × 37 in | 1,000 lb (500 kg) | 265 lb | Consult |
| 77965 | 36 × 37 in | 2,500 lb (1,000 kg) | 265 lb | Consult |
| Part # | Size (W × L) | Ramp Angle of Incline | Est. Weight | Price |
| Access Ramps | | | | |
| 78011 | 30 × 12 in (sold individually) | 7.2° | 25 lb | Consult |
| 78012 | 36 × 12 in (sold individually) | 7.2° | 30 lb | Consult |

Options/Accessories

| Part # | Description | Price |
|---------|---|---------|
| 18777 | Floor anchor plates, mild steel, set of 2 (for use with static scale, without ramps) | Consult |
| 19352 | Floor stand for indicator, 36.3 in high, mild steel (for use with static scale) | Consult |
| 126384 | Floor stand for indicator, 48 in high, mild steel | Consult |
| Consult | Mild steel deck with RL32018S IP66 stainless steel (cFMus approved) load cells and hardware | Consult |
| Consult | Mild steel deck with RL32218S-HE hermetically sealed IP69K stainless steel cFMus approved load cells and hardware | Consult |
| 214612 | Back stop and mounting hardware for 30 in wide scale | Consult |
| 214613 | Back stop and mounting hardware for 36 in wide scale | Consult |

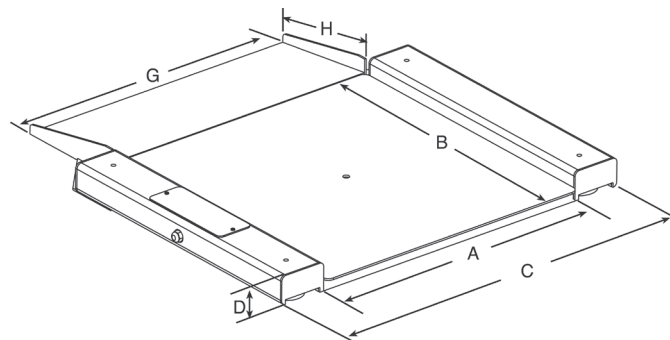


Shown with optional diamond treadplate and backstop

Dimensions

| RoughDeck BDP mild steel with access ramp | | | |
|---|---------|---|---------|
| 30 × 31 in models | | | |
| A | 30.0 in | D | 3.31 in |
| B | 31.0 in | G | 30.0 in |
| C | 40.0 in | H | 12.0 in |
| 36 × 37 in models | | | |
| A | 36.0 in | D | 3.31 in |
| B | 37.0 in | G | 36.0 in |
| C | 46.0 in | H | 12.0 in |

Distance from floor to top of center weighing surface: 1.625 in
Distance from floor to bottom of weighing surface: 0.31 in
Note: 1 in=25.4 mm



Standard Features

- Live siderails
- Top-access foot adjustment holes
- Four adjustable stainless steel SUREFOOT™ support feet
- Diamond tread top plate
- Alloy steel load cells

Specifications

End Load Capacity:

1,000 lb: 100% full scale
2,500 lb: 80% full scale

Cable Length:

10 ft (3 m)

Junction Box:

TuffSeal® JB4SS stainless steel, NEMA Type 4X junction box with signal trim card

Welding:

Stitch

Threaded Eyebolt:

Hole (1/2-13 NC) located in center of deck for easy lifting

Warranty (limited):

Weldment: Five-year
Load cells: Two-year
All other components: One-year

Approvals:

NTEP 03-060, Class III 2,500 d
Measurement Canada AM-5578 (500 kg) Class III 2,500d (1,000 kg) Class III 2,000d

FLOOR SCALES