

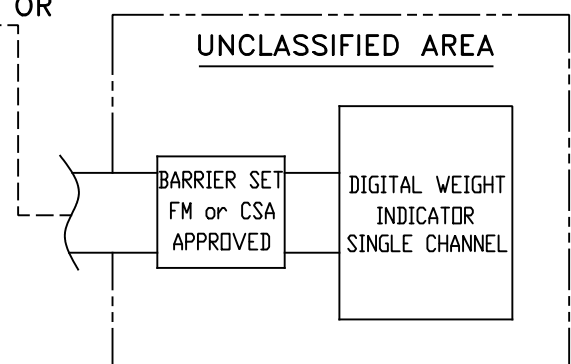
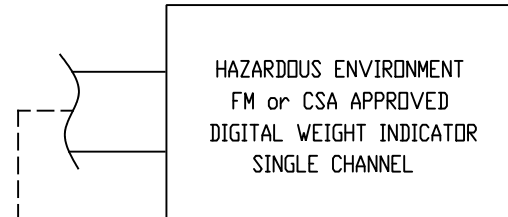
**HAZARDOUS AREA**

CLASS I, DIVISION 1, GROUP A, B, C, D  
CLASS II, DIVISION 1, GROUP E, F, G  
CLASS III, DIVISION 1 & 2  
T4, Ta = 50°C

**ENTITY PARAMETERS**

± Excitation	± Sense	± Signal
Vmax = 17V	Vmax = 17V	Vmax = 10V
Imax = 442mA	Imax = 19mA	Imax = 41mA
Ci = 0μF	Ci = 0μF	Ci = 0μF
Li = 0μH	Li = 0μH	Li = 0μH
Pi = 1.88W	Pi = 0.081W	Pi = 0.103W

REVISION			
REV	REFERENCE	INIT	DATE
B	ADDED NOTES & CHANGED ENTITY PARAMETERS PER FM GUIDANCE.	PJM	11/30/15
C	ECO15738: MODIFIED ENTITY PARAMETERS AND NOTES	PJM	6/17/16
D	ECO17748: COMBINED JB4 AND JB8 CONTROL DWGS	BJB	4/29/2022

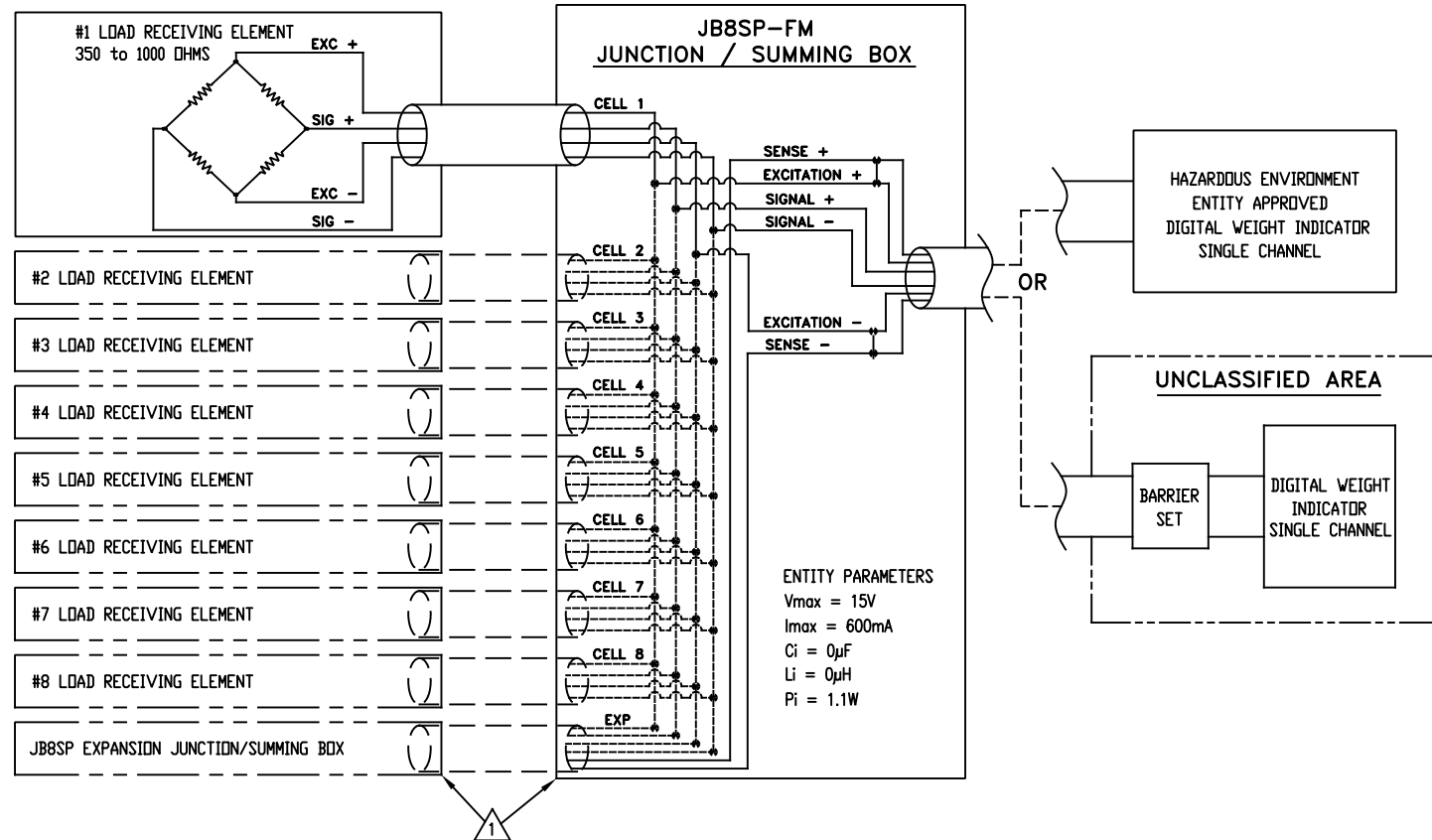


THIS DOCUMENT IS A FACTORY MUTUAL APPROVED DOCUMENT. ALL CHANGES OR REVISIONS MUST BE AUTHORIZED BY FACTORY MUTUAL RESEARCH CORPORATION AND BY RICE LAKE WEIGHING SYSTEMS.

- NOTE:
- A MAXIMUM OF TWO JUNCTION/SUMMING BOXES OF THE SAME MODEL MAY BE INTERCONNECTED AS SHOWN.
  - THE JUNCTION / SUMMING BOX IS A \*SIMPLE APPARATUS, PASS THROUGH DEVICE.
  - THE JUNCTION BOX ENTITY PARAMETERS: Vmax, Imax, AND Pi ARE THE MAXIMUM LEVELS WHICH MAY BE SUPPLIED FROM THE INDICATOR.
  - THE JUNCTION / SUMMING BOX WAS APPROVED FOR CONNECTION TO A SINGLE INDICATOR ONLY.
  - SEE THE SPECIFIC CONTROL DRAWING FOR LOAD CELL INSTALLATION INFORMATION.
  - SEE THE SPECIFIC CONTROL DRAWING FOR WEIGHING INDICATOR INSTALLATION INFORMATION.
  - ONLY FM AND CSA HAZARDOUS APPROVED WEIGHING INDICATORS, BARRIERS, AND LOAD CELLS (WITH PROPER ENTITY PARAMETERS) MAY BE USED WITH THIS JUNCTION / SUMMING BOX.

MATERIAL	N/A	UNLESS OTHERWISE SPECIFIED UNITS TO BE INCHES ALL THREADS TO BE CLASS 2 ALL DIMENSIONS APPLICABLE AFTER TREATMENT	THIS DRAWING AND INFORMATION CONTAINED HERE IN, IS AND REMAINS THE PROPERTY OF RICE LAKE WEIGHING SYSTEMS INC. IT IS SUBMITTED AND MAY BE USED ONLY IN CONNECTION WITH RICE LAKE WEIGHING SYSTEMS' PROPOSAL AND/OR ITS CUSTOMERS' ORDERS. IT SHALL NOT BE DISCLOSED TO OTHERS OR COPIED WITHOUT RICE LAKE WEIGHING SYSTEMS' SPECIFIC WRITTEN CONSENT AND SHALL BE IMMEDIATELY RETURNED UPON REQUEST.
TREATMENT	N/A	DO NOT SCALE DRAWING	
		SURFACE FINISH ✓	
		TOLERANCES .XX: --- .XXX: --- ANGLE: ---	TITLE
		DES. ENG.: MFG. ENG.: DRAWN BY: PJM 11/12/15	J-BOX INSTALLATION DRAWING, HAZARDOUS ENVIRONMENT
		THIRD ANGLE PROJECTION	SHEET 1 OF 2
		SCALE N/A	DWG NO. 173044
			REV D

REVISION			
REV	REFERENCE	INIT	DATE
-	SEE SHEET 1	-	-



**HAZARDOUS AREA**

CLASS I, DIVISION 1, GROUP A, B, C, D  
 CLASS II, DIVISION 1, GROUP E, F, G  
 CLASS III, DIVISION 1 & 2  
 CLASS I, II, III, DIVISION 2 G: ABCDEFG  
 T4, Ta = 50°C

**NOTE:**

1. A MAXIMUM OF TWO JUNCTION/SUMMING BOXES OF THE SAME MODEL MAY BE INTERCONNECTED AS SHOWN.
2. THE JUNCTION / SUMMING BOX IS A \*SIMPLE APPARATUS, PASS THROUGH DEVICE.
3. THE JUNCTION BOX ENTITY PARAMETERS: Vmax, Imax, AND Pi ARE THE MAXIMUM LEVELS WHICH MAY BE SUPPLIED FROM THE INDICATOR.
4. THE JUNCTION / SUMMING BOX WAS APPROVED FOR CONNECTION TO A SINGLE INDICATOR ONLY.
5. SEE THE SPECIFIC CONTROL DRAWING FOR LOAD CELL INSTALLATION INFORMATION.
6. SEE THE SPECIFIC CONTROL DRAWING FOR WEIGHING INDICATOR INSTALLATION INFORMATION.
7. ONLY FM AND CSA HAZARDOUS APPROVED WEIGHING INDICATORS, BARRIERS, AND LOAD CELLS (WITH PROPER ENTITY PARAMETERS) MAY BE USED WITH THIS JUNCTION / SUMMING BOX.

THIS DOCUMENT IS A FACTORY MUTUAL APPROVED DOCUMENT. ALL CHANGES OR REVISIONS MUST BE AUTHORIZED BY FACTORY MUTUAL RESEARCH CORPORATION AND BY RICE LAKE WEIGHING SYSTEMS.

<p>UNLESS OTHERWISE SPECIFIED          UNITS TO BE INCHES          ALL THREADS TO BE CLASS 2          ALL DIMENSIONS APPLICABLE          AFTER TREATMENT</p>	<p>THIS DRAWING AND INFORMATION CONTAINED          HEREIN IS AND REMAINS THE PROPERTY OF          RICE LAKE WEIGHING SYSTEMS INC. IT IS          SUBMITTED AND MAY BE USED ONLY IN          CONNECTION WITH RICE LAKE WEIGHING          SYSTEMS' PROPOSAL AND/OR ITS CUSTOMERS'          ORDERS. IT SHALL NOT BE DISCLOSED TO OTHERS          OR COPIED WITHOUT RICE LAKE WEIGHING SYSTEMS'          SPECIFIC WRITTEN CONSENT AND SHALL BE          IMMEDIATELY RETURNED UPON REQUEST.</p>	<p><b>RICE LAKE</b>          WEIGHING SYSTEMS</p>
<p>DO NOT SCALE          DRAWING</p>	<p>DRAWING TOLERANCES          UNLESS OTHERWISE SPECIFIED</p>	<p>SCALE: 2 2</p>
<p>SURFACE FINISH</p>	<p>TOLERANCES          .XX: ---          .XXX: ---          ANGLE: ---</p>	<p>J-BOX INSTALLATION DRAWING          HAZARDOUS ENVIRONMENT</p>
<p>DES. ENG.:          MFG. ENG.:          DRAWN BY: PJM 11/23/15</p>	<p>DATE: 11/23/15</p>	<p>SCALE: N/A          PART NO.: 173044          REV: D</p>