

65016

Alloy Steel, Environmentally Sealed, IP67



Picture is a representation of actual product

Approvals



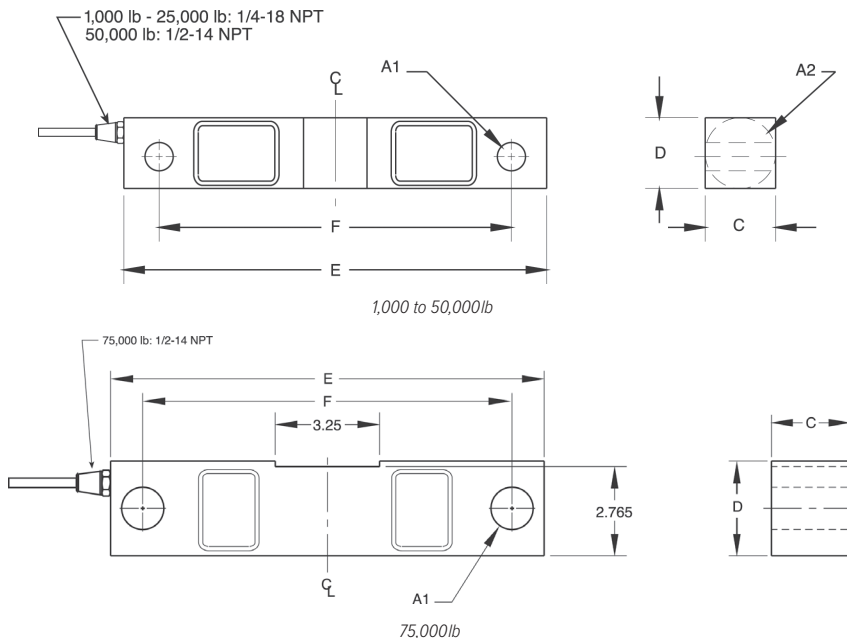
Order Information

Load Rating	Part #	Est. Weight	Price
1,000 lb	17268	4 lb	Consult
1,500 lb	17270	4 lb	Consult
2,500 lb	17273	4 lb	Consult
5,000 lb	17275	4 lb	Consult
10,000 lb	17277	7 lb	Consult
15,000 lb	17279	7 lb	Consult
20,000 lb	17281	7 lb	Consult
25,000 lb	17282	7 lb	Consult
35,000 lb	46498	8 lb	Consult
50,000 lb	17284	27 lb	Consult
75,000 lb*	25358	27 lb	Consult

*75,000lb capacity has a square center

Dimensions

Rated Capacity	A1	A2	C	D	E	F	CONDUIT ADAPTER
lb/in							
1,000 to 5,000	0.50	1.25	1.25	1.25	7.50	6.25	1/4-18 NPT
10,000 to 25,000	0.81	1.99	1.44	1.94	8.75	7.50	1/4-18 NPT
35,000	0.81	2.50	1.50	2.50	8.75	7.50	1/4-18 NPT
50,000	1.31	3.00	2.44	2.94	13.50	11.50	1/2-14 NPT
75,000	1.31	—	2.44	2.94	13.50	11.50	1/2-14 NPT



Interchangeable Products

- RICE LAKE WEIGHING SYSTEMS
RL77032..... page 130
- RICE LAKE WEIGHING SYSTEMS
RL75016..... page 133
- VPG® CELTRON®
DSR..... page 195
- VPG® REVERE
5203

Weigh Module Available

- RICE LAKE WEIGHING SYSTEMS
RL1600 Series... page 70 and page 72

Specifications

- Full Scale Output:**
3.0 mV/V nominal
- Output Resistance:**
699 to 707 ohm
- Input Resistance:**
686 to 714 ohm
- Material/Finish:**
High-alloy steel, nickel plated
- Temperature:**
Operating:
0 °F to 150 °F (-18 °C to 65 °C)
- Seal Type:**
Environmentally sealed, IP67
- Safe Overload:**
150% full scale
- Safe Sideload:**
100% full scale
- Rated Excitation:**
5 to 10 VDC (15 V maximum)
- Nonlinearity:**
0.03% full scale
- Hysteresis:**
0.02% full scale
- Insulation Resistance:**
5,000 megohm
- Cable Length:**
25 ft
- Cable Diameter:**
1,000 to 25,000 lb: 0.200 in
50,000 to 75,000 lb: 0.301 in
Polyurethane jacket
- Cable Color Code:**
Red +Excitation
Black -Excitation
Green +Signal
White -Signal
- Warranty:**
One-year limited
- Approvals:**
cFMus