

# 2025

# LOAD CELL GUIDE



**RICE LAKE**<sup>®</sup>  
WEIGHING SYSTEMS

800-472-6703  
[www.ricelake.com](http://www.ricelake.com)

# Train for Excellence

**ENROLL NOW**

RICE LAKE WEIGHING SYSTEMS' TRAINING COURSES offer something for technicians of all experience levels.

Our topics include everything from general electronic systems to indicator programming and weighing industry standards—there are even specialty classes focused on unique product lines.

Learn from Rice Lake experts and gain skills you and your team can use during real-world sales and service calls in 2025 and beyond!

## 2025

### Rice Lake, WI

**ES-111**

Fundamentals of Electronic Systems and Load Cells

January 6-10

March 3-7

April 14-18

June 23-27

October 6-10

November 10-14

**ES-222**

Advanced Scale System Troubleshooting

January 20-24

April 28-May 2

July 7-11

September 22-26

### Online

**HB44 Online**  
Handbook 44 Training

**SC-111**

Online Setpoint and Batching

**ES-300**

1280 Enterprise™ Indicator Programming

June 2-6

October 13-17

**ES-301**

i-Rite Indicator Programming

June 9-13

October 20-24

**RS-111**

Retail Scales Training

February 3-7

May 5-9

August 18-22

**AW-111**

Automatic Wrapper Training

March 17-21

May 12-18

July 21-25

September 8-12

December 8-12

**AW-112**

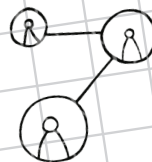
Micro-Wrapper Training

February 17-21

March 31-April 4

August 4-8

November 17-21



View our complete training schedule, read course descriptions and register today at:

[www.ricelake.com/training](http://www.ricelake.com/training)



To speak with our training coordinator, call:

**800-472-6703**

# Table of Contents

Interchangeable Products.....	4
<i>Rice Lake</i>	
VPG® BLH®	
VPG® Celtron®	
Flintec®	
HBK®	
VPG® Revere	
VPG® Sensortronics®	
VPG® Tedeo-Huntleigh®	
Shipping Information.....	14
Customer Service Contacts.....	16
Customer Assistance.....	20
Terms and Conditions.....	21
Warranty and Limitation of Liability.....	23
Using Ingress Protection (IP) Ratings.....	27
Weigh Module Application.....	28

## Survivor® Weigh Modules

Table of Contents.....	31
SURVIVOR Paramounts® HE.....	32
RL1700 HE.....	33
RL1600 HE Series.....	34
RL1855 HE-HS.....	35
RL2100 HE.....	36

## Rice Lake Weigh Modules

Table of Contents.....	37
ITCM.....	38
ITCM SS.....	39
ITCM HE.....	40
RL50210TA.....	41
65059.....	43
RL50219SS-TA.....	45
Paramounts® EP.....	47
Paramounts® HS.....	49
RLBTM.....	51
RL1800 Series.....	52
RL1800 Series with MLC Coated Load Cell.....	54
RL1900 Series.....	55
RLTM.....	56
RL9000TWM Series.....	57
RL9000TWM-HT.....	60
RL2200 Series.....	61
RL2200SS Series.....	62
RLC.....	63
220 Universal Mount.....	64
EZ Mount 1 with RL72020.....	65
EZ Mount 1 SS with RL72020SS.....	67
EZ Mount 1 with MLC Coated RL72020.....	68
EZ Mount 1 HE.....	69
RL1600 Series with RL75016.....	70
RL1600 Series with RL75016.....	71
RL1600 Series with RL77032.....	72
RL1600 Series with RL75016SS.....	73

RL1600 SS Series with RL77032SS.....	74
RL1600 Series with MLC Coated RL75016.....	75
RL1600 HE Series with RL77032SS HE.....	76
MVS Mount/MVS.....	77
Translink™ Parallel Link.....	78
Motor Truck Scale Electronic Conversion Kit.....	79
MagnaMount™.....	80
Mettler Toledo® DigiTOL® Retrofit Kit.....	81
Rice Lake Analog Retrofit Kit.....	83
Electronic Floor Scale Underdeck Kits.....	84

## Rice Lake Weighing Systems Load Cells

Table of Contents.....	85
S-BEAM	
RL20000I.....	96
RL20000SS.....	97
RL20000ST.....	98
RL20001L.....	99
RL20001HE.....	100
RLETS.....	101
SINGLE-ENDED BEAM	
RL32022.....	102
RL32022-S.....	103
RL32018.....	104
RL32018 MLC Coated.....	105
RL32018S.....	106
RL32018S-P.....	107
RL32018S-HE.....	108
RL32019S-HE.....	109
RL32218S-HE.....	110
RL9018SS.....	111
RL30000I.....	112
RL30002 Thru Hole.....	113
RLH35.....	114
RL39123.....	115
RL32018S-T.....	116
RL35023S MLC Coated.....	117
RLHTO.....	118
RLSSB.....	119
RLSB250/RLSB250T.....	120
RL50219SS.....	121
RL50210.....	122
RL40BBS.....	123
RL32011WB-L.....	124
RL32011WB-T.....	125
DOUBLE-ENDED BEAM	
RL72020.....	126
RL72020SS.....	127
RL72020 MLC Coated.....	128

RL72019SS.....	129
RL77032.....	130
RL77032SS.....	131
RL77032SS HE.....	132
RL75016.....	133
RL75016 MLC Coated.....	134
RL75016SS.....	135
RL75016SS-W.....	136
RL75016WHE.....	137
RL75058I for Rice Lake Coil Scale.....	138
RL75058-LP.....	139
RL75058S-LP.....	140
RL75060S.....	141
RL75223.....	142
RLDB50000S.....	143
RL75040.....	144
COMPRESSION CANISTER	
RLCSP1.....	145
RL8C2P1SST.....	146
ROCKER COLUMN	
RL82021.....	147
RLSCA-50K.....	148
RL70510/RL80453.....	149
RL75114-50K.....	150
COMPRESSION DISK	
RL90000.....	151
RLPC3SS.....	152
RLPC4SS-HE.....	153
SINGLE POINT	
RLPC6.....	154
RLPWM15HE.....	155
RLPWM15.....	156
RLPCBC-60.....	157
RL1521A.....	158
RL1010.....	159
RLSP4.....	160
RLPWM12.....	161
RLPWM16.....	162
RL1042.....	163
RL1040.....	164
RL1140.....	165
RL1380.....	166
RL1385.....	167
RL260FD.....	168
RL26018A.....	169
RL1218A.....	170
RL42018A.....	171
RLFLS.....	172
PLANAR BEAM	
RLBLP.....	173
TENSION LINK	
RL2010.....	174

CUSTOMER  
ASSISTANCE

# Table of Contents

MSI Load Pin Sensors.....	175	PC3.....	216	9223.....	258
MSI Load Pin Questionnaire.....	176	PC4.....	217	9803.....	259
MSI Tension Link.....	177	PC6.....	218	9323.....	260
MSI Clamp-On.....	178	PC7.....	219	9423.....	261
<b>VPG® BLH®</b>		PC2.....	220	COMPRESSION CANISTER	
Table of Contents.....	179	PLANAR BEAM		ASC.....	262
COMPRESSION CANISTER		PB.....	221	RLC.....	263
C2P1.....	180	<b>HBK®</b>		CP.....	264
C3P1.....	181	Table of Contents.....	223	CSP.....	265
TENSION CANISTER		SINGLE-ENDED BEAM		792.....	266
T2P1.....	182	H35.....	224	SINGLE POINT	
T3P1.....	183	BBS.....	225	462.....	267
<b>VPG® Celtron®</b>		Z6.....	226	HPS.....	268
Table of Contents.....	185	ROCKER COLUMN		HPSM.....	269
S-BEAM		C16A.....	227	LOAD CELL	
STC Low Capacity.....	187	SINGLE POINT		AX3040.....	270
STC.....	188	SP4M.....	228	<b>VPG® Scentroidronics®</b>	
STC SS.....	189	PW15.....	229	Table of Contents.....	271
STC-HSS.....	190	PW15AH.....	230	S-BEAM	
SINGLE-ENDED BEAM		PWS.....	231	60001.....	275
SQB.....	191	<b>Interface®</b>		60050.....	276
SQB-HSS.....	192	Table of Contents.....	233	60063.....	277
MBB.....	193	COMPRESSION DISK		SINGLE-ENDED BEAM	
SEB.....	194	1200 Series.....	234	65023A-5297.....	278
DSR.....	195	3200 Series.....	235	65023A-5107-10.....	279
CLB.....	196	TENSION/COMPRESSION		65023A-5507.....	280
SINGLE POINT		SML.....	236	65023A.....	281
LPS.....	197	WMC.....	237	65023SS.....	282
LOC Heavy Capacity.....	198	WMC Miniature Sealed.....	238	65023S.....	283
COMPRESSION DISK		<b>VPG® Revere</b>		65083.....	284
LCD.....	199	Table of Contents.....	239	65083S.....	285
<b>Flintec®</b>		S-BEAM		60040.....	286
Table of Contents.....	201	363.....	243	SINGLE POINT	
S-BEAM		9363.....	244	60048SS.....	287
UB1.....	204	BSP.....	245	60051.....	288
UB6.....	205	SINGLE-ENDED BEAM		60060.....	289
SINGLE-ENDED BEAM		5123.....	246	DOUBLE-ENDED BEAM	
SLB.....	206	9123.....	247	65016.....	290
SB4.....	207	9523.....	248	65016W.....	291
SB5.....	208	ACB.....	249	65016WH.....	292
BK2.....	209	9102.....	250	65058A.....	293
SB6.....	210	5102.....	251	65058S.....	294
SB14.....	211	5723.....	252	65061A.....	295
ROCKER COLUMN		SHB.....	253	65040A.....	296
RC1.....	212	SSB.....	254	65040S.....	297
RC3.....	213	DOUBLE-ENDED BEAM		65040A-1127W.....	298
SINGLE POINT		5103.....	255	ROCKER COLUMN	
PCB.....	214	9103.....	256	65114.....	299
PC1.....	215	5223.....	257		

# Table of Contents

CUSTOMER ASSISTANCE

## VPG® Tedea-Huntleigh®

Table of Contents	301
S-BEAM	
620	305
SINGLE-ENDED BEAM	
3411/3421	306
3510-NTEP	307
3510-OIML	308
355	309
SINGLE POINT	
1022	310
1010/1015	311
1030	312
1042	313
1040	314
1130	315
1140	316
1240	317
1142	318
1260	319
1260S	320
1263	321
1250	322
1320	323
1510	324
240	325
9010	326
Model 9010 Application	327
PLANAR BEAM	
380	328
COMPRESSION DISK	
220	329
120	330

## Hardware and Accessories

Table of Contents	331
Load Cell Mounting Hardware Safety Guidelines	332
Mounting Assembly Component Identification	333
Jam Nuts	333
Eye Nuts	334
Clevis Mount Assemblies	334
Coupling Nuts	334
Load Cell Eye Bolts	335
Rod End Ball Joints	336
Connecting Links	336
Load Cell Isolators	337
Threaded Adapters	337
ITCM Hardware Kits	338

Grounding Strap	339	T-Strip Molding	356
Ball Bearings	339	Electronic Scale Tickets	357
Load Receiver Plate	339	Mechanical Scale Tickets	358
Load Cups	339	Printer Dust Covers	358
Wire Rope Assemblies	340	Printer Cables	359
Cardinal® Wire Rope Assemblies	340	Static Brushes	360
Custom Wire Ropes	340	Ionizing Strips	360
Custom Wire Rope Definition Form	341	Desiccants	360
Spherical Washer Sets	342	Crimper and Lead Seals	360
Load Cell Spacers	342	Ionizing Strip Accessories	360
Load Button	342	Industrial Corrosion Inhibitor	360
Weldless End Links	342	Static Control Table Mat and Floor Mat	361
Load Button Insert Kit	343	Static Control Wrist Strap	361
Flintec® Adjustable Rubber Foot	343	Static Shielding Bags	361
Bench Scale Feet	343	Static-Safe Service Kit	361
Surefoot™	343	Rice Lake's Scale Technician Kits	362
Polyurethane Rubber Leveling Feet	344		
Captured Ball Floor Scale Leveling Feet	344	<b>Junction Boxes</b>	
Leveling Mount	345	Table of Contents	363
Leveling Pads	345	JB4SS	364
Leveling Pad Stems	345	JB4ES	365
RoughDeck® Scale Base	346	JB4SP and JB4SPT	366
Summit® 3000 Scale Base	346	JB4EP and JB4EPT	367
Floor Scale Base	346	EL204	368
Complete Custom Cable Services	347	EL504	369
EL147, 6 Wire	348	JB8SP	370
EL147RP Plus, 6 Wire	348	JB8SPT	371
EL147HE, 6 Wire	349	EL304A	372
EL147IS, 6 Wire	349	JB1010T	373
EL146, 4 Wire	350	JB1010ST	374
EL146HE, 4 Wire	350	Replacement Junction Boxes, Boards or Components	375
Fiber-Optic Cable	351	iQUBE2®	376
EL144 Communications Cable	351	EL168	379
BCD Cable	351	TP75 DC	379
SURVIVOR® EL620HE	352	UJB3T6 DC	380
EL148HE Mettler Toledo®	352	TP232	381
SURVIVOR® Cable Armor	352	Ranger 1	381
Mettler Toledo® Power Cell®	352	Ranger 3	382
Cord Grip Assemblies	353	Transducer Simulator 4	382
EL214 Cable Splicing Kit	353	Ranger 5	383
Load Cell Conduit Adapters	353	Ranger 7	383
EL214T Cable Splicing Kit	354		
EL215 Cable Splicing Kit	354		
Flintec® Load Cell Cable	354		
Five-Position Connectors, Shell Plugs, Receptacles	355		
Seven-Position Connectors, Shell Plugs, Receptacles	355		
Six-Position Connectors, Shell Plugs, Receptacles	355		
T-Grip Molding	356		

# Interchangeable Products

Rice Lake

CUSTOMER  
ASSISTANCE

Manufacturer	Model	Manufacturer	Model	Page #
Artech	20210	Rice Lake	RL20000I S-beam	page 96
Artech	SS20210	Rice Lake	RL20000SS S-beam	page 97
Artech	3031	Rice Lake	RL30000I Single-ended Beam	page 112
Artech	SS30310	Rice Lake	RL39123 Single-ended Beam	page 115
Artech	SS30610	Rice Lake	RLSSB Single-ended Beam	page 119
Artech	50210	Rice Lake	RL50210 Single-ended Beam	page 122
Artech	80210	Rice Lake	RL75223 Double-ended Beam	page 142
Artech	80310	Rice Lake	RL75040 Double-ended Beam	page 144
Artech	61022	Rice Lake	RL1521A Single Point	page 158
Cardinal	SB2500	Rice Lake	RLSB250 Single-ended Beam	page 120
Cardinal	DB50000S	Rice Lake	RLDB50000S Double-ended Beam	page 145
Cardinal	SCA-50K	Rice Lake	RLSCA-50 Rocker Column	page 148
Fairbanks	3-481XX-1	Rice Lake	RL40BBS Single-ended Beam	page 123
Fairbanks	3-48660-1	Rice Lake	RL40BBS Single-ended Beam	page 123
Fairbanks	LCFHR4020-2	Rice Lake	RL75114-50K Rocker Column	page 150
Fairbanks	LCFHR4020-2A	Rice Lake	RL70510-30T	page 149
Fairbanks	LCGHR4020-21	Rice Lake	RL80453 100,000 lb	page 149
Fairbanks	4900 Series Checkweighers	Rice Lake	RL1521A Single Point	page 158
Fairbanks	3-38065-X, 3-38066-X	VPG BLH	C2P1 Compression Canister	page 180
Fairbanks	3-38054-X	VPG BLH	C3P1 Compression Canister	page 181
Fairbanks	657090, 657091	VPG BLH	T2P1 Tension Canister	page 182
Fairbanks	3-39897-X, 3-40766-X	VPG BLH	T3P1 Tension Canister	page 183
Flintec	PC6	Rice Lake	RLPC6 Single Point	page 154
Flintec	PC 42	Rice Lake	RL1042 Single Point	page 163
Flintec	PCB	VPG Tedea-Huntleigh	1250 Potted Single Point	page 322
HBK	B35	Rice Lake	RL39123 Single-ended Beam	page 115
HBK	SB3	Rice Lake	RLSSB Single-ended Beam	page 119
HBK	BBS	Rice Lake	RL40BBS Single-ended Beam	page 123
HBK	PW15AH	Rice Lake	RLPWM15HE Single Point	page 155
HBK	SP4	Rice Lake	RLSP4 Single Point	page 160
HBK	PW16	Rice Lake	RLPWM16 Single Point	page 162
HBK	SP4	Rice Lake	RL1042 Single Point	page 163
HBK	PWS	Rice Lake	RL1380 Single Point	page 166
HBK	PW12	VPG Tedea-Huntleigh	1250 Potted Single Point	page 322
HBK	C10	VPG BLH	C2P1 Compression Canister	page 180
HBK	PW12	Rice Lake	RLPWM12 Single Point	page 161
Howe Richardson	244699-000X	Rice Lake	RLCSP1 Compression Canister	page 145
Interface	MB	VPG Celtron	MBB Single-ended Beam	page 193
Mettler Toledo®	TB601019-008 (500 lb, 2,500 lb, 5,000 lb)	Rice Lake	RLH35 Single-ended Beam	page 114
Mettler Toledo	TB601016-020 (1,000 lb, 4,000 lb)	Rice Lake	RLH35 Single-ended Beam	page 114

# Interchangeable Products

Rice Lake

CUSTOMER  
ASSISTANCE

Manufacturer	Model	Manufacturer	Model	Page #
Mettler Toledo	10049200A, 10014900A	VPG BLH	C2P1 Compression Canister	page 180
Mettler Toledo	10011900A, 10049300A	VPG BLH	C2P1 Compression Canister	page 180
Mettler Toledo	1004400A, KN713700	VPG BLH	C3P1 Compression Canister	page 181
Mettler Toledo	KB200570, 10049100A	VPG BLH	C3P1 Compression Canister	page 181
Mettler Toledo	10048X00A, KN75066	VPG BLH	T3P1 Tension Canister	page 183
NMB	C2G1	VPG Celtron	LPS Single Point	page 197
Rice Lake	RL75016WHE	Rice Lake	RL75016SS Double-ended Beam	page 135
Rice Lake	RL75016SS	Rice Lake	RL75016WHE Double-ended Beam	page 137
Rice Lake	RL1042	Rice Lake	RLSP4 Single Point	page 160
Rice Lake	RL1250	Rice Lake	RLPWM12 Single Point	page 161
Rice Lake	RL1260	Rice Lake	RLPWM16 Single Point	page 162
Rice Lake	RLPWM12	VPG Tedeo-Huntleigh	1250 Potted Single Point	page 322
Rice Lake	RL20000	VPG Celtron	STC Low Capacity S-beam	page 187
Rice Lake	RL20001	VPG Celtron	STC S-beam	page 188
Rice Lake	RL35023	VPG Celtron	SQB Single-ended Shear Beam	page 191
Rice Lake	RL75016	VPG Celtron	DSR Double-ended Shear Beam	page 195

# Interchangeable Products

Rice Lake

CUSTOMER  
ASSISTANCE

Manufacturer	Model	Manufacturer	Model	Page #
Rice Lake	RL75058	VPG Celtron	CLB Double-ended Beam	page 196
Rice Lake	RL1521A	VPG Celtron	LPS Single Point	page 197
Rice Lake	RLPWM12	VPG Celtron	LOC Single Point Heavy Capacity	page 198
Rice Lake	RL90000	VPG Celtron	LCD Compression Disk	page 199
Sensortronics	65040A-XX-1127W	Rice Lake	RL75223 Double-ended Beam	page 142
Streeter Amet	3760SSS	Rice Lake	RLCSP1 Compression Canister	page 145
Streeter Richardson	2011611, 2011612	VPG BLH	C2P1 Compression Canister	page 180
Streeter Richardson	2011613, 2011614, 201617	VPG BLH	C2P1 Compression Canister	page 180
Streeter Richardson	2011711, 2011712	VPG BLH	T2P1 Tension Canister	page 182
Streeter Richardson	20117XX	VPG BLH	T3P1 Tension Canister	page 183
Thurman	TSC 800	Rice Lake	RL75223 Double-ended Beam	page 142
Thurman	TSC 840 DL90000	Rice Lake	RL75040 Double-ended Beam	page 144
Unibridge	C2G1	Rice Lake	RL75223 Double-ended Beam	page 142
VPG BLH	C2G1	Rice Lake	RL1521A Single Point	page 158
VPG BLH	STC	VPG Celtron	LPS Single Point	page 197
VPG Celtron	DSR	Rice Lake	RL200001I S-beam	page 99
VPG Celtron	DSR-HSS	Rice Lake	RL75016 Double-ended Beam	page 135
VPG Celtron	CLB	Rice Lake	RL75016SS Double-ended Beam	page 135
VPG Celtron	DLB	Rice Lake	RL75058I Double-ended Beam	page 138
VPG Celtron	LCD	Rice Lake	RL75040 Double-ended Beam	page 144
VPG Celtron	LPS	Rice Lake	RL90000 Compression Disk	page 151
VPG Celtron	LOC	Rice Lake	RL1521A Single Point	page 158
VPG Celtron	LOC	Rice Lake	RL1040 Potted and Unpotted Single Point	page 164
VPG Celtron	9363	VPG Tedea-Huntleigh	1250 Potted Single Point	page 322
VPG Revere	5123	Rice Lake	RL20000SS S-beam	page 97
VPG Revere	9123	Rice Lake	RL30000I Single-ended Beam	page 112
VPG Revere	SSB	Rice Lake	RL39123 Single-ended Beam	page 115
VPG Revere	5503	Rice Lake	RLSSB Single-ended Beam	page 119
VPG Revere	5503	Rice Lake	RL50210 Single-ended Beam	page 122
VPG Revere	9203	Rice Lake	RL75016 Double-ended Beam	page 133
VPG Revere	5223	Rice Lake	RL75016SS Double-ended Beam	page 135
VPG Revere	CSP	Rice Lake	RL75223 Double-ended Beam	page 142
VPG Revere	692B	Rice Lake	RLCSP1 Compression Canister	page 145
VPG Revere	792	Rice Lake	RLCSP1 Compression Canister	page 145
VPG Revere	CBU	VPG Celtron	MBB Single-ended Beam	page 193
VPG Revere	5203	VPG Celtron	DSR Double-ended Shear Beam	page 195
VPG Sensortronics	5203	VPG Celtron	DSR Double-ended Shear Beam	page 195
VPG Sensortronics	60001	Rice Lake	RL200001I S-beam	page 99
VPG Sensortronics	60063	Rice Lake	RL20001HE S-beam	page 100



# Interchangeable Products

Rice Lake

CUSTOMER  
ASSISTANCE

Manufacturer	Model	Manufacturer	Model	Page #
VPG Sensortronics	60040	Rice Lake	RL50210 Single-ended Beam	page 122
VPG Sensortronics	60007	Rice Lake	RL40BBS Single-ended Beam	page 123
VPG Sensortronics	65016	Rice Lake	RL75016 Double-ended Beam	page 133
VPG Sensortronics	65016W	Rice Lake	RL75016SS Double-ended Beam	page 135
VPG Sensortronics	65016WH	Rice Lake	RL75016SS Double-ended Beam	page 135
VPG Sensortronics	65016W	Rice Lake	RL75016WHE Double-ended Beam	page 137
VPG Sensortronics	65016WH	Rice Lake	RL75016WHE Double-ended Beam	page 137
VPG Sensortronics	65058	Rice Lake	RL75058I Double-ended Beam	page 138
VPG Sensortronics	65058S	Rice Lake	RL75060S Double-ended Beam	page 141
VPG Sensortronics	65040A	Rice Lake	RL75040 Double-ended Beam	page 144
VPG Sensortronics	65088-1000	Rice Lake	RLCSP1 Compression Canister	page 145
VPG Sensortronics	60063	VPG Celtron	STC Low Capacity S-beam	page 187
VPG Sensortronics	60001	VPG Celtron	STC S-beam	page 188
VPG Sensortronics	60050	VPG Celtron	STC SS S-beam	page 189
VPG Sensortronics	65023	VPG Celtron	SQB Single-ended Shear Beam	page 191
VPG Sensortronics	65007	VPG Celtron	MBB Single-ended Beam	page 193
VPG Sensortronics	65016	VPG Celtron	DSR Double-ended Beam	page 195
VPG Sensortronics	65058	VPG Celtron	CLB Double-ended Beam	page 196
VPG Tedea-Huntleigh	3411	Rice Lake	RL30000IS Single-ended Beam	page 112
VPG Tedea-Huntleigh	3510 kg	Rice Lake	RLHTO Single-ended Beam	page 118
VPG Tedea-Huntleigh	1022	Rice Lake	RL1521A Single Point	page 158
VPG Tedea-Huntleigh	1010	Rice Lake	RL1010 Potted and Unpotted Single Point	page 159
VPG Tedea-Huntleigh	1042	Rice Lake	RLSP4 Single Point	page 160
VPG Tedea-Huntleigh	1250	Rice Lake	RLPWM12 Single Point	page 161
VPG Tedea-Huntleigh	1260	Rice Lake	RLPWM16 Single Point	page 162
VPG Tedea-Huntleigh	1042	Rice Lake	RL1042 Single Point	page 163
VPG Tedea-Huntleigh	1040	Rice Lake	RL1040 Potted and Unpotted Single Point	page 164
VPG Tedea-Huntleigh	1250	VPG Tedea-Huntleigh	1250 Potted Single Point	page 322
VPG Tedea-Huntleigh	1022	VPG Celtron	LPS Single Point	page 197
VPG Tedea-Huntleigh	1250	VPG Celtron	LOC Single Point Heavy Capacity	page 198
VPG HBK	PW12	VPG Celtron	LOC Single Point Heavy Capacity	page 198

# Interchangeable Products

VPG® BLH®

CUSTOMER  
ASSISTANCE

Manufacturer	Model	Manufacturer	Model	Page #
Fairbanks	3-38065-X, 3-38066-X	VPG BLH	C2P1 Compression Canister	page 180
Fairbanks	3-38054-X	VPG BLH	C3P1 Compression Canister	page 181
Fairbanks	657090, 657091	VPG BLH	T2P1 Tension Canister	page 182
Fairbanks	3-39897-X, 3-40766-X	VPG BLH	T3P1 Tension Canister	page 183
HBK	C10	VPG BLH	C2P1 Compression Canister	page 180
Interface	MB	VPG Celtron	MBB Single-ended Beam	page 193
Mettler Toledo®	10049200A, 10014900A	VPG BLH	C2P1 Compression Canister	page 180
Mettler Toledo	10011900A, 10049300AA	VPG BLH	C2P1 Compression Canister	page 180
Mettler Toledo	1004400A, KN713700	VPG BLH	C3P1 Compression Canister	page 181
Mettler Toledo	KB200570, 10049100A	VPG BLH	C3P1 Compression Canister	page 181
Mettler Toledo	10048X00A, KN75066	VPG BLH	T3P1 Tension Canister	page 183
NMB	C2G1	VPG Celtron	LPS Single Point	page 197
Rice Lake	RL20000	VPG Celtron	STC Low-capacity S-beam	page 187
Rice Lake	RL20001	VPG Celtron	STC S-beam	page 188
Rice Lake	RL35023	VPG Celtron	SQB Single-ended Shear Beam	page 191
Rice Lake	RL75016	VPG Celtron	DSR Double-ended Shear Beam	page 195
Rice Lake	RL75058	VPG Celtron	CLB Double-ended Beam	page 196
Rice Lake	RL1521A	VPG Celtron	LPS Single Point	page 197
Rice Lake	RL1250	VPG Celtron	LOC Single Point Heavy Capacity	page 198
Rice Lake	RLPWM12	VPG Celtron	LOC Single Point Heavy Capacity	page 198
Rice Lake	RL90000	VPG Celtron	LCD Compression Disk	page 199
Streeter Richardson	2011611, 2011612	VPG BLH	C2P1 Compression Canister	page 180
Streeter Richardson	2011613, 2011614, 201617	VPG BLH	C2P1 Compression Canister	page 180
Streeter Richardson	2011711, 2011712	VPG BLH	T2P1 Tension Canister	page 182
Streeter Richardson	20117XX	VPG BLH	T3P1 Tension Canister	page 183
VPG BLH	C2G1	VPG Celtron	LPS Single Point	page 197
VPG Revere	CBU	VPG Celtron	MBB Single-ended Beam	page 193
VPG Revere	5203	VPG Celtron	DSR Double-ended Shear Beam	page 195
VPG Sensortronics	60063	VPG Celtron	STC Low-capacity S-beam	page 187
VPG Sensortronics	60001	VPG Celtron	STC S-beam	page 188
VPG Sensortronics	60050	VPG Celtron	STC SS S-beam	page 189
VPG Sensortronics	65023	VPG Celtron	SQB Single-ended Shear Beam	page 191
VPG Sensortronics	65007	VPG Celtron	MBB Single-ended Beam	page 193
VPG Sensortronics	65016	VPG Celtron	DSR Double-ended Shear Beam	page 195
VPG Sensortronics	65058	VPG Celtron	CLB Double-ended Beam	page 196
VPG Tedea-Huntleigh	1022	VPG Celtron	LPS Single Point	page 197
VPG Tedea-Huntleigh	1250	VPG Celtron	LOC Single Point Heavy Capacity	page 198
VPG HBK	PW12	VPG Celtron	LOC Single Point Heavy Capacity	page 198

# Interchangeable Products

VPG® Celtron®

CUSTOMER  
ASSISTANCE

Manufacturer	Model	Manufacturer	Model	Page #
Interface	MB	VPG Celtron	CLB Double-ended Beam	page 196
NMB	C2G1	VPG Celtron	LPS Single Point	page 197
Rice Lake	RL20000	VPG Celtron	LOC Single Point Heavy Capacity	page 198
Rice Lake	RL20001	VPG Celtron	LCD Compression Disk	page 199
Sensortronics	RL35023	Rice Lake	RL75223 Double-ended Beam	page 142
Streeter Amet	RL75016	Rice Lake	RLCSP1 Compression Canister	page 145
Streeter Richardson	RL75058	VPG BLH	C2P1 Compression Canister	page 180
Streeter Richardson	RL1521A	VPG BLH	C2P1 Compression Canister	page 180
Streeter Richardson	RL1250	VPG BLH	T2P1 Tension Canister	page 182
Streeter Richardson	RLPWM12	VPG BLH	T3P1 Tension Canister	page 183
Thurman	RL90000	Rice Lake	RL75223 Double-ended Beam	page 142
Thurman	C2G1	Rice Lake	RL75040 Double-ended Beam	page 144
Unibridge	CBU	Rice Lake	RL75223 Double-ended Beam	page 142
VPG BLH	5203	Rice Lake	RL1521A Single Point	page 158
VPG BLH	60063	VPG Celtron	LPS Single Point	page 197
VPG Celtron	60001	Rice Lake	RL200001I S-beam	page 99
VPG Celtron	60050	Rice Lake	RL75016 Double-ended Beam	page 133
VPG Celtron	65023	Rice Lake	RL75016SS Double-ended Beam	page 135
VPG Celtron	65007	Rice Lake	RL75058I Double-ended Beam	page 138
VPG Celtron	65016	Rice Lake	RL75040 Double-ended Beam	page 144
VPG Celtron	65058	Rice Lake	RL90000 Compression Disk	page 151
VPG Celtron	1022	Rice Lake	RL1521A Single Point	page 158
VPG Celtron	1250	Rice Lake	RL1040 Potted and Unpotted Single Point	page 164
VPG Celtron	PW12	VPG Tedea-Huntleigh	1250 Potted Single Point	page 322

# Interchangeable Products

Flintec®

Manufacturer	Model	Manufacturer	Model	Page #
Fairbanks	LCF-HR4050-3	Flintec	SLB Single-ended Beam	page 206
Fairbanks	LCF-HR4020-1	Flintec	RC1 Rocker Column	page 212
Fairbanks	LCF-HR4020-2A	Flintec	RC3 Rocker Cell	page 213
Rice Lake	RL1250	Flintec	PCB Single Point	page 214
Rice Lake	RLPC6	Flintec	PC6 Single Point	page 218
VPG Celtron	LOC	Flintec	PCB Single Point	page 214
VPG Tedea-Huntleigh	1250	Flintec	PCB Single Point	page 214

# Interchangeable Products

HBK®

CUSTOMER  
ASSISTANCE

Manufacturer	Model	Manufacturer	Model	Page #
Fairbanks	3-481XX-1, 3-486XX-1	HBK	BBS Single-ended Beam	page 225
Fairbanks	3-53581-X, 3-52921-1	HBK	PW15 Single Point	page 229
HBK	SS4	HBK	H35 Single-ended Beam	page 224
Mettler Toledo®	TB601019-008 (500 lb, 2,500 lb, 5,000 lb)	HBK	H35 Single-ended Beam	page 224
Rice Lake	RL39123	HBK	BBS Single-ended Beam	page 225
Rice Lake	RL30745	HBK	Z6 Single-ended Beam	page 226
Rice Lake	RLBLC	HBK	SP4M Single Point	page 228
Rice Lake	RL1250	HBK	PW15AH Single Point	page 230
Rice Lake	RLPWM16	HBK	PWS Single Point	page 231
Rice Lake	RL1260	HBK	BBS Single-ended Beam	page 225
Rice Lake	RLPWM15	HBK	Z6 Single-ended Beam	page 226
Rice Lake	RL1380	HBK	Z6 Single-ended Beam	page 226
VPG BLH	LBG1	HBK	BBS Single-ended Beam	page 225
VPG Celtron	HBB	HBK	Z6 Single-ended Beam	page 226
VPG Sensortronics	60007	HBK		
VPG Tedea-Huntleigh	355	HBK		
VPG Tedea-Huntleigh	1250	HBK		
VPG Tedea-Huntleigh	1260	HBK		

# Interchangeable Products

VPG® Revere

CUSTOMER  
ASSISTANCE

Manufacturer	Model	Manufacturer	Model	Page #
Artech	30310	VPG Revere	5123 Single-ended Beam	page 246
Artech	30410	VPG Revere	5723 Link Beam	page 252
Artech	90210	VPG Revere	CP Compression Canister	page 264
Artech	90310	VPG Revere	CSP Compression Canister	page 265
Artech	90405	VPG Revere	792 Compression Canister	page 266
Cardinal	CP1	VPG Revere	CP Compression Canister	page 264
HBK	B35	VPG Revere	9123 Single-ended Beam	page 247
HBK	Z6	VPG Revere	SHB Single-ended Beam	page 253
HBK	SB3	VPG Revere	SSB Single-ended Beam	page 254
Howe Richardson	20908XXX	VPG Revere	CP Compression Canister	page 264
Howe Richardson	244699-000X	VPG Revere	CSP Compression Canister	page 265
NV Technology	BLC-2-XX-N	VPG Revere	9803 Double-ended Beam	page 259
NV Technology	BLC-1-N-WP	VPG Revere	9323 Double-ended Beam	page 260
NV Technology	BLC-1-N	VPG Revere	9423 Double-ended Beam	page 261
VPG Revere	5102	VPG Revere	9102 Single-ended Beam	page 250
VPG Revere	9102	VPG Revere	5102 Single-ended Beam	page 251
VPG Revere	392B	VPG Revere	CP Compression Canister	page 264
VPG Revere	692B	VPG Revere	CSP Compression Canister	page 265
Rice Lake	RL20000	VPG Revere	363 S-beam	page 243
Rice Lake	RL20000SS	VPG Revere	9363 S-beam	page 244
Rice Lake	RL20000ST	VPG Revere	9363 S-beam	page 244
Rice Lake	RL30000	VPG Revere	5123 Single-ended Beam	page 246
Rice Lake	RL39123	VPG Revere	9123 Single-ended Beam	page 247
Rice Lake	RL39523	VPG Revere	9523 Single-ended Beam	page 248
Rice Lake	RLHBB	VPG Revere	SHB Single-ended Beam	page 253
Rice Lake	RLSSB	VPG Revere	SSB Single-ended Beam	page 254
Rice Lake	RL70000	VPG Revere	5103 Double-ended Beam	page 255
Rice Lake	RL70000SS	VPG Revere	9103 Double-ended Beam	page 256
Rice Lake	RL71000HE	VPG Revere	9103 Double-ended Beam	page 256
Rice Lake	RL75223	VPG Revere	5223 Double-ended Beam	page 257
Rice Lake	RLCSP1	VPG Revere	CSP Compression Canister	page 265
Rice Lake	RL8C2P1SST	VPG Revere	792 Compression Canister	page 266
Streeter Amet	3753070, 3752030, 3752040, 3751940	VPG Revere	CP Compression Canister	page 264
Streeter Amet	3760XXXX	VPG Revere	CSP Compression Canister	page 265
Thurman	TSC 800	VPG Revere	5223 Double-ended Beam	page 257
Thurman	10088970A-50K		9803 Double-ended Beam	page 259
VPG Celtron	HBB	VPG Revere	SHB Single-ended Beam	page 253
VPG Tedea-Huntleigh	3411	VPG Revere	5123 Single-ended Beam	page 246
VPG Tedea-Huntleigh	355	VPG Revere	SHB Single-ended Beam	page 253

# Interchangeable Products

VPG® Sensortronics®

CUSTOMER  
ASSISTANCE

Manufacturer	Model	Manufacturer	Model	Page #
Artech	50210	VPG Sensortronics	60040 Single-ended Beam	page 286
Artech	80210	VPG Sensortronics	65040A-1127W Double-ended Beam	page 298
Fairbanks	65023A-XX-5164	VPG Sensortronics	65023A-5297 Single-ended Beam	page 278
Fairbanks	Rodan 90814-40K	VPG Sensortronics	65061A Double-ended Beam	page 295
Fairbanks	Rodan 91088-50K	VPG Sensortronics	65061A Double-ended Beam	page 295
Fairbanks	63951	VPG Sensortronics	65114 Rocker Column	page 299
NCI	Mark III	VPG Sensortronics	60051 Single Point	page 288
NCI	Mark IX	VPG Sensortronics	60051 Single Point	page 288
NCI/Weigh-Tronix	Mark V	VPG Sensortronics	60048SS Single Point	page 287
Pennsylvania	65023A-XX-5141	VPG Sensortronics	65023A-5107-10 Single-ended Beam	page 279
Revere Transducers	5203	VPG Sensortronics	65016 Double-ended Beam	page 290
Rice Lake	RL20001	VPG Sensortronics	60001 S-beam	page 275
Rice Lake	RL20001HE	VPG Sensortronics	60063 S-beam	page 277
Rice Lake	RL35023	VPG Sensortronics	65023A Single-ended Beam	page 281
Rice Lake	RL30002	VPG Sensortronics	65023A Single-ended Beam	page 281
Rice Lake	RL35023S	VPG Sensortronics	65023SS Single-ended Beam	page 282
Rice Lake	RL35023S	VPG Sensortronics	65023S Single-ended Beam	page 283
Rice Lake	RL35083	VPG Sensortronics	65083 Single-ended Beam	page 284
Rice Lake	RL35082	VPG Sensortronics	65083S Single-ended Beam	page 285
Rice Lake	RL50210	VPG Sensortronics	60040 Single-ended Beam	page 286
Rice Lake	RL75016	VPG Sensortronics	65016 Double-ended Beam	page 290
Rice Lake	RL75016WHE	VPG Sensortronics	65016W Double-ended Beam	page 291
Rice Lake	RL75016WHE	VPG Sensortronics	65016WH Double-ended Beam	page 292
Rice Lake	RL75058	VPG Sensortronics	65058A Double-ended Beam	page 293
Rice Lake	RL75060S	VPG Sensortronics	65058S Double-ended Beam	page 294
Rice Lake	RL75040	VPG Sensortronics	65040A Double-ended Beam	page 296
Rice Lake	RL75040	VPG Sensortronics	65040S Double-ended Beam	page 297
Rice Lake	RL75223	VPG Sensortronics	65040A-1127W Double-ended Beam	page 298
Thurman	TSC 840	VPG Sensortronics	65040A Double-ended Beam	page 296
Thurman	TSC 800	VPG Sensortronics	65040A-1127W Double-ended Beam	page 298
VPG Celtron	STC	VPG Sensortronics	60001 S-beam	page 275
VPG Celtron	STC-SS	VPG Sensortronics	60050 S-beam	page 276
VPG Celtron	SQB	VPG Sensortronics	65023A Single-ended Beam	page 281
VPG Celtron	SQB-HSS	VPG Sensortronics	65083 Single-ended Beam	page 284
VPG Celtron	DSR	VPG Sensortronics	65016 Double-ended Beam	page 290
VPG Celtron	DSR-HSS	VPG Sensortronics	65016W Double-ended Beam	page 291
VPG Celtron	CLB	VPG Sensortronics	65058A Double-ended Beam	page 293
VPG Celtron	DLB	VPG Sensortronics	65040A Double-ended Beam	page 296
VPG Revere	5503	VPG Sensortronics	60040 Single-ended Beam	page 286
VPG Revere	5223	VPG Sensortronics	65040A-1127W Double-ended Beam	page 298
VPG Sensortronics	65023 SS	VPG Sensortronics	65023S Single-ended Beam	page 283
VPG Sensortronics	65016WH	VPG Sensortronics	65016W Double-ended Beam	page 291
VPG Sensortronics	65016W	VPG Sensortronics	65016WH Double-ended Beam	page 292
VPG Sensortronics	65040	VPG Sensortronics	65040S Double-ended Beam	page 297

# Interchangeable Products

VPG® Tedeo-Huntleigh®

CUSTOMER  
ASSISTANCE

Manufacturer	Model	Manufacturer	Model	Page #
Flintec	PCB	VPG Tedeo-Huntleigh	1250 Potted Single Point	page 322
HBK	Z6	VPG Tedeo-Huntleigh	355 Single-ended Beam	page 309
HBK	PW16	VPG Tedeo-Huntleigh	1260 Single Point	page 319
NMB	C2G1	VPG Tedeo-Huntleigh	1022 Single Point	page 310
VPG Revere	SHB	VPG Tedeo-Huntleigh	355 Single-ended Beam	page 309
Rice Lake	RL30000	VPG Tedeo-Huntleigh	3411/3421 Single-ended Beam	page 306
Rice Lake	RL39123	VPG Tedeo-Huntleigh	3411/3421 Single-ended Beam	page 306
Rice Lake	RLHTO	VPG Tedeo-Huntleigh	3510 kg Single-ended Beam	page 308
Rice Lake	RLHBB	VPG Tedeo-Huntleigh	355 Single-ended Beam	page 309
Rice Lake	RL1521A	VPG Tedeo-Huntleigh	1022 Single Point	page 310
Rice Lake	RL1010	VPG Tedeo-Huntleigh	1010/1015 Potted and Unpotted Single Point	page 311
Rice Lake	RL1042	VPG Tedeo-Huntleigh	1042 Single Point	page 313
Rice Lake	RL1042	VPG Tedeo-Huntleigh	1042S Single Point	page 313
Rice Lake	RL1040	VPG Tedeo-Huntleigh	1040 Potted and Unpotted Single Point	page 314
Rice Lake	RL1140	VPG Tedeo-Huntleigh	1140 Single Point	page 316
Rice Lake	220	VPG Tedeo-Huntleigh	220 Compression	page 329
Rice Lake	RL1260	VPG Tedeo-Huntleigh	1260 Single Point	page 319
Rice Lake	RL1260	VPG Tedeo-Huntleigh	1260S Single Point	page 320
Rice Lake	RL1250	VPG Tedeo-Huntleigh	1250 Potted Single Point	page 322
VPG BLH	C2G1	VPG Tedeo-Huntleigh	1022 Single Point	page 310
VPG Celtron	SQB-HSS	VPG Tedeo-Huntleigh	3510 lb Single-ended Beam	page 307
VPG Celtron	HBB	VPG Tedeo-Huntleigh	355 Single-ended Beam	page 309
VPG Celtron	LPS	VPG Tedeo-Huntleigh	1022 Single Point	page 310
VPG Celtron	LOC	VPG Tedeo-Huntleigh	1040 Potted and Unpotted Single Point	page 314
VPG Celtron	LOC	VPG Tedeo-Huntleigh	1250 Potted Single Point	page 322
VPG Celtron	HOC	VPG Tedeo-Huntleigh	1320 Single Point	page 323
VPG Revere	5123	VPG Tedeo-Huntleigh	3411/3421 Single-ended Beam	page 306
VPG Revere	9123	VPG Tedeo-Huntleigh	3411/3421 Single-ended Beam	page 306
VPG Sensortronics	65083	VPG Tedeo-Huntleigh	3510 lb Single-ended Beam	page 307
VPG Tedeo-Huntleigh	1260	VPG Tedeo-Huntleigh	1260S Single Point	page 320
Weigh-Tronix	MK29	VPG Tedeo-Huntleigh	1130 Single Point	page 315

# Shipping Information

FREIGHT SERVICES OFFERED	"SMALL PACK"	LTL	TRUCK LOAD
Nationwide Same Day Service	Y* ***	Y*	N
Next Day (AM)	Y**	Y**	Y**
Next Day (END OF DAY)	Y	Y**	Y**
2 Day	Y	Y	Y
3 Day	Y	Y	Y
Ground	Y	Y	Y
Canada	Y	Y	Y
Mexico	Y	Y	Y
Express Freight (Air-over 150 lb)**	Y	Y	N
International (Sea)	Y	Y	Y
International (Air)	Y	Y	N

\* Subject to cost/distance

\*\* Subject to distance

\*\*\* Subject to flight availability and proximity of nearest airport

## Same Day Services

These services do not carry the same service guarantees that standard delivery schedules do and are subject to availability.

## Small Parcel Services

We ship with internationally recognized parcel carriers based on delivery time and services offered.

## Determining Dimensional Weight for Small Parcel Shipments for Air and Ground

When shipping via air services, carriers require the shipping weight be determined by the greater of the boxed product's actual weight or its dimensional shipping weight. The formula for calculating dimensional shipping weight is as follows:

Domestic shipments via Ground or Air:  $L \times W \times H / 139$ .

International air shipments:  $L \times W \times H / 139$ .

Please note: Rice Lake Weighing Systems takes the added precaution of double-boxing some of our electronic products and balances. This may result in higher dimensional weight charges by the carrier. Even with this added precaution, we suggest you always ship high precision and fragile products via air services to reduce excessive handling.

## Less Than Truckload (LTL)

Full service LTL coverage for the continental United States, Puerto Rico, Canada and Mexico.

**Note: A standard LTL delivery is considered to be one that ships from either a company or partner dock to arrival at a standard commercial address with disposition of the goods at the rear of the truck to enable off loading by material handling equipment provided by the consignee at either ground level or via loading dock.** The freight in question should be palletized and secured in a way to facilitate the safe handling of the freight with no one dimension over six feet.

Any LTL delivery falling outside of this criteria may well accrue accessorial charges levied by the carrier in line with their tariff rules. It is recommended that any potential accessorial costs are discussed at the time of order placement so these costs can be billed appropriately at the time of shipment. If this is not the case, Rice Lake reserves the right to charge the customer retrospectively for any accessorial costs incurred during the delivery process.

Accessorial charges include, but are not limited to the following:

Lift gate, call for appointment and guaranteed delivery: Day and by 10:30 a.m. (where available). Excessive length, inside delivery.

**NOTE: To inside of first threshold crossed only**, high cost delivery areas such as government sites and mines, re-delivery, re-consignment, residential and restricted access shipments. All prices are available on request.

## Full Truckload

Various truckload providers give us the ability to ship to the contiguous United States, Alaska, Canada and Mexico.

## Forwarders (International Freight)

We can provide service through a forwarder of our choice, or select one of your preferred forwarders.

**Air freight:** All of our forwarders are internationally recognized brands.

**Ocean freight:** All of our forwarders are internationally recognized brands.



## Rice Lake Weighing Systems Freight Claims Procedure

Incidents can happen anytime between a package's departure from Rice Lake's loading dock and the time you receive it. For that reason, we are asking you to follow the procedures below when receiving a shipment.

The Bill of Lading (BOL) or Delivery Receipt (D/R) is the only record of the product's condition when it arrives at your site. If you do not inspect a shipment before signing, you are essentially waiving the right to collect on a damage claim regardless of whether the damage is visible or concealed. Your signature on a delivering carrier's BOL or D/R constitutes acceptance of the merchandise "as is." This proof is essential in filing a claim and holding the responsible parties accountable for items damaged or missing while in transit. Remember, once you sign, the goods and responsibility are yours.

### Receiving a Shipment

- Check immediately for possible damage during shipment. Inspect, examine and inventory your delivery as it is unloaded.
- Open cartons and containers. Any suspicion of damage or shortage must be noted on the BOL or D/R. This information must include the item, discrepancy and condition of the item in question. If this is NOT noted, the liability to prove the damage was done by the delivering carrier is your responsibility.
- The driver cannot leave your receiving dock until the BOL or D/R is signed, regardless if they are behind schedule or not. Do not be intimidated by the driver.

### Damaged Shipment

- Discovered damage: If the box, crate or merchandise is visibly damaged beyond what you would consider to be normal shipping wear and tear, refuse the delivery and request a Return Authorization Number from the driver in order for the shipment to be sent back to its origin at no charge.
- Concealed damage: Immediately document and photograph the damage and packaging. Keep all crating and packaging material with the damaged item(s) for inspection by the company's claim inspector until told to either return or dispose of the item(s). The item(s) should be moved minimally—only to an area where it can be inspected by the carrier or their agent.
- Keep a second copy of the BOL or D/R noting the damage and the driver's signature.
- Call your Rice Lake customer service representative to report the shortage and/or damage. Ideally, the call should be made before the driver leaves the site.

At this point, a claim for concealed damage will be started and an inspection will be requested. The inspector will determine if the damage was possibly caused by the carrier. A report and claim must be filed with the carrier within seven days after delivery. The sooner concealed damage is discovered and reported, the better.

### Small Parcel Shipments

In general, it is the policy of small parcel carriers to NOT deliver damaged packages but rather take them back to the distribution center for evaluation. HOWEVER, that does not always happen. Occasionally if the package is deemed to be ok, it will be re-taped and delivered to the consignee. If damage is noticed while still at the distribution center, a notation should have been entered into the system.

If you do receive a package that appears to be damaged you can either refuse as damaged or accept the damaged package and report the damage (immediately) to your Rice Lake customer service representative with the tracking number. They will, in turn, contact the relevant team member from their support group so the claims process can be started. It should be noted that **drivers do not normally note the package was damaged until it is brought back to the distribution center. A clerk will note damage at that point.**

### Questions

If you have any questions about shipping or potential damages to your shipment, contact us at 800-472-6703 and a member of our sales and logistics team will assist you.

# Customer Service Contacts

At Rice Lake Weighing Systems, we strive to give you the best customer service in the industry. You can depend on our knowledgeable staff to deliver decisive, courteous assistance when you need it most.

Customer Service Representative Hours (CST):

Monday through Friday 6:30 AM to 6:30 PM; Saturday 8:00 AM to Noon

## United States and Canada Field Sales



**Tim Campbell**  
Great Lakes Region  
715-434-5067



**Tim DeDoncker**  
Allegheny Region  
715-736-6436



**Jim Gruchalla**  
Lower Midwest Region  
715-434-5084



**Dino Valverde**  
Mid-Southeast Region  
715-434-5069



**Reggie Mabe**  
Western and Eastern  
Canada Region  
715-434-5049



**Monte Martinson**  
Upper Midwest Region  
715-736-6466



**Gabriel Ruberti**  
Southeast Region  
715-434-5157



**Jim O'Brien**  
Northeast Region  
715-736-6487



**Toby Mailes**  
Southwest Region  
715-434-5047



**Steve Delaney**  
Mid-Southwest Region  
715-434-5293



**Jon Spencer**  
Northwest Region  
715-434-5370

## International Field Sales



**Alessandro Mattioli**  
International Sales  
Director  
+39 0536 843 418



**Manuel Talancon**  
Director of  
Latin America Sales  
and Operations  
715-434-5041



**Martin DeVilla**  
Southern Mexico  
+52 81 1516 5938



**Carlos Aguilera**  
Northern Mexico  
+52 81 8356 5062



**Daniel Brito**  
Latin America/  
Caribbean  
+507 6835 2515



**Jaap Oosterlee**  
Master Brand, Europe  
+31 06 30048248



**Frank Da Silva**  
Central/South America  
+507 6480 5171



**CW Pang**  
Southeast Asia  
+60-12-201-6262



**Phil Maillols**  
Oceania  
+61 45 144 1755



**Marco Casolari**  
Northern Europe/  
Balkans  
+39 329 649 9997



**George Cox**  
UK/Ireland  
+44 (0) 7821 122257



**Richard Pouncy**  
UK/Ireland  
+44 (0) 7517 861263



**Luca Prampolini**  
Italy  
+39 344 2528841



**Manuel Goncalves**  
Spain/Portugal  
+351 937173756



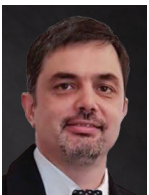
**Stefano Ferli**  
Italy/OEM  
+39 351 273 1978



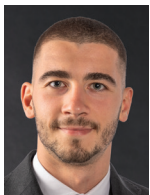
**Vitaliy Domalchuk**  
Central Europe  
+39 344 2686947



**Alessio Balatti**  
France  
+39 344 2528126



**Mathieu Favreau**  
France  
+33 0148 734 347



**Riccardo Spezzani**  
East Europe/Poland  
+39 320 3819266



**May Deng**  
China  
+86 21 66314055



**Rashid Alam**  
Middle East/Africa  
+917 50 4570896

# Customer Service Contacts

CUSTOMER ASSISTANCE

## Customer Relations



**Mark O. Johnson**  
Chief Executive Officer



**Mark Johnson, Jr.**  
President



**Steve Parkman**  
Chief Operating Officer



**Nick Peterson**  
Chief Financial Officer



**Tom Kowalski**  
Chief Information Officer



**Steve Hersman**  
Vice President of Global Sales



**Dominic Hodkiewicz**  
Vice President of Manufacturing



**Patrick Ranfranz**  
Vice President of Global Marketing



**Glenn Zalusky**  
Vice President Strategic Business



**Tim Donahue**  
Director, Global Product Management/Engineering



**Guru Ganesh**  
Managing Director, India



**Walter Hendriks**  
Managing Director, Master Brand, Europe



**Massimo Corradini**  
General Manager Engineering/Manufacturing Modena, Italy



**Enrico Tosi**  
General Manager Business/HR/Finance Modena, Italy



**Kris Lagace**  
Director of Logistics



**Jim Norvid**  
Director of Mechanical Engineering



**Joe Ramos**  
Director of Electrical/Software Engineering



**Brandi Harder**  
Quality Manager



**Sam Bower**  
Training Coordinator



**Greg Stager**  
Technical Training Specialist

## Inside Sales



**Deanna Stanley**  
Inside Sales Manager



**Keven Jensen**  
Warranty Coordinator



**Jody Elmquist**



**Melissa Hatlan**



**Sonya Hegle**



**Stacie Lashmett-Stoebert**



**Jim Maier**



**Gene Marquardt**



**Matt Piazza**



**Shannon Paul**



**Jamie Springer**



**John Tennant**



**Casey Sutherland**



**Lynnette Thompson**



**Jon Thurs**



**Kally Wagner**

# Customer Service Contacts

## Sales Engineers



Tommy Guest  
Sales Resource  
Manager



Sam Brower



John Eisele



Dan Hunt



Doug Hagie



Sharon Miller



Efrain Molinari  
Habla Español



Preston Reed

## Health Sales



Staci Wiesner

## Heavy Capacity Sales



Karen Hansen



Stacie Lashmett-  
Stoeberl



Tony Zillmer

## International Region



Jennifer  
Krahenbuhl



Gloria Miranda  
Habla Español



Bobbie Stiver  
Habla Español  
Parle Français

## Livestock Sales



Keven Jensen



Gene Marquardt



Shannon Paul



Matt Piazza



Casey Sutherland



Tony Zillmer

## MSI Overhead Weighing



Phil Gray



Bob Davis



Rob Upright



Patrick Hillman



Sue Radowick



Rob Nelson



David Garcia

# Customer Service Contacts

CUSTOMER ASSISTANCE

## Technical Support



**Tommy Guest**  
Sales Resource  
Manager



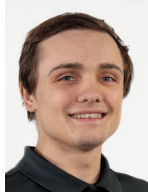
**Brent Craine**



**David Dietz**



**Alan Dobrowolski**



**Isaac Holt**



**Pete Jacobs**



**Owen Korpela**



**Torey Nelson**



**Seth Poulter**



**Scott Ross**



**Joel Thompson**



**Mark Ware**



**Don O'Connell**  
Retail



**Chris Olson**  
Retail



**Matt Rigden**  
Retail

## Repair Department



**Phil Stoberl**  
Electronic Assembly  
Repair Manager



**Diane Gagner**



**Lisa Maciosek**



**Randeel Bauch**



**Chad Dobrowolski**



**Morgan Frisinger**



**Hannah Ince**



**Tonya Krahenbuhl**

## Receptionists



**Tracy Lavalere**



**Terica Schamberger**  
Sales Administration  
Supervisor



**Chantel Holmes**



**Ashley Janota**



**Trish Schultz**

## Financial Services



**Wendy Boese**  
Financial Services  
Supervisor



**Lynette Marshall**



**Nicole Dostal**



**Melissa Olson**



**Mackenzie Lord**



**Leanne Madsen**



**Brianna Nelson**

# Customer Assistance

## Product Support

Rice Lake Weighing Systems strives to provide you with the most current and accurate information in our Load Cell Guide. Manufacturers occasionally change specifications or prices after the publication is printed, which is beyond our control. Please consult our sales staff or our website at [www.ricelake.com](http://www.ricelake.com) for the most current information.

## Returns

Our commitment to our distributors states that if any standard product purchased from Rice Lake Weighing Systems does not work, or if the incorrect product is shipped, return it in its original shipping container with all accessories for full credit or replacement within 30 days of purchase. Always inspect the product upon receipt.

Please note that if the incorrect amount of product was shipped, Rice Lake Weighing Systems must be contacted within 30 days of the purchase. Upon notification, we will immediately correct the situation.

We may, at our option, assess a restocking charge if the equipment was incorrectly specified for the application intended, and/or damaged beyond reasonable repair. The restocking charge is directly proportional to the amount of time and material required to return the item to resalable condition—we will make every effort to do this quickly and economically. Equipment that has been abused and/or shows signs of excessive wear, and cannot be reconditioned and resold, will not be accepted for return.

## As Applied to Drop Shipments

All Rice Lake Weighing Systems return guidelines apply to products drop-shipped to your end-user customer. If a perceived error occurs, Rice Lake Weighing Systems will investigate to the best of our ability to determine if the error occurred prior to shipping, during shipping or at the end-user site. If our records and subsequent investigation indicate that the shipment was correct when it left our factory, our responsibility extends only to the distributor, not their end-user. Our standard product warranty notes that our coverage extends only to equipment and systems properly installed by a distributor.

## Trademark Recognition

The following product names, logos, brands and other trademarks featured or referred to within this publication are the property of their respective trademark holders.

DigiTol®	Revere Technologies®
Flintec®	Fairbanks Scales®
Artech®	Weigh-Tronix®
VPG® BLH®	Avery Weigh-Tronix®
VPG® Celtron®	Thurman®
VPG® Revere	Unibridge®
VPG® Sensortronics®	Howe Richardson®
VPG® Tedea-Huntleigh®	Streeter Amet®
HBK®	NMB®
Mettler Toledo®	Streeter Richardson®
Toledo™	Interface®
NCI™	NV Technology®
Howe™	Pennsylvania®
PreVent™	Power Cell®
Cardinal®	Hecon®
Masstron®	

The terms “buyer,” “authorized reseller,” and “customer” as used herein, shall mean the party placing the purchase order with Rice Lake Weighing Systems. No contractual relationship between Rice Lake Weighing Systems and said party shall arise until such time as a purchase order has been accepted by Rice Lake Weighing Systems and such acceptance has been indicated on a written acknowledgment. Orders shall be subject to Rice Lake Weighing Systems’ standard terms and conditions as printed below, subject to correction for clerical errors.

Any conditions stipulated by the buyer which are in contradiction to these sales terms and conditions shall only be valid if expressly acknowledged by Rice Lake Weighing Systems in writing.

## 1. Prices

(a) Rice Lake Weighing Systems (Rice Lake) prices are net 30 days Ex Works Rice Lake plants. Orders are subject to approval of our credit department with rights reserved to change or withdraw credit terms without notice and to terminate any orders when invoices for work done thereon have gone unpaid for 60 days.

(b) Prices do not include taxes of any kind by federal, state, municipality or other governmental authority, which Rice Lake may be required to collect or pay with respect to the sale or shipment of goods sold hereunder. Regardless of when any such taxes are determined or become payable, all taxes would be the responsibility of the customer and would be in addition to the prices quoted hereon.

(c) This quotation is made upon the basis of the cost of materials and labor as of the date of this quotation. A change in such costs shall give Rice Lake the right to alter prices to reflect such changes in cost.

(d) Requests for additional documentation, drawings, audits of factories or inspection of equipment in-process, additional testing, additional inspections and record retention will be quoted as a separate item even if we have already issued quotations for products and services.

## 2. Shipment, Title, Risk of Loss

(a) All shipments are Ex Works point of shipment. Title and risk of loss or damage passes to the customer upon presentation of the goods to the customer’s carrier at Rice Lake’s facility.

## 3. Quantity, Materials and Tolerances

(a) Rice Lake assumes no responsibility for loss or damage occurring by reason of delay or inability to deliver caused by fires, strikes, accidents, embargoes, car shortages, delays of carriers, insurrection, riots, acts of the civil or military authorities, nor will we assume responsibility for any reason whatever for damages of any kind on account of failure to deliver at the time specified. The customer shall indemnify and hold Rice Lake harmless from all direct and consequential costs and damages resulting from such loss or delay.

## 4. Weight Calibration Services

The uncertainty of measurement is included in the decision rule in determining pass/fail criteria of the Maximum Permissible Error (MPE).

## 5. Patents

If this quotation covers parts made specifically for the customer, the customer agrees to indemnify and hold Rice Lake harmless against any loss resulting from infringement of patents or trademarks, or from claims of such infringements and shall pay all legal and defense costs incurred by Rice Lake in the defense of such actions.

## 6. Software

Unless specifically otherwise stated, any and all software associated or part of any product sold, loaned on trial or demonstration to the customer is to be considered proprietary to Rice Lake. The customer agrees not to duplicate for distribution or to sell or distribute in any way without the prior written consent of Rice Lake.

## 7. Changes and Cancellation: Rejection, Claims

(a) Orders placed with Rice Lake are not subject to cancellation, change or reduction in amount or suspension of deliveries except with Rice Lake’s consent and upon terms that indemnify Rice Lake against loss. Unless confirmed in writing, all verbal agreements are void.

(b) Rice Lake will not be responsible for changes in design, deliveries or other instructions, unless they are furnished in writing. The customer agrees to pay for all tooling charges caused by changes in design or specifications.

(c) Samples submitted shall be deemed approved unless written rejection is received within two weeks of submission.

(d) Manufactured parts will be shipped and billed as they are produced.

(e) Claims for shortage or rejections for defects must be made within 10 days of receipt of goods. Credit will be rendered on such defective parts after we have had an opportunity to inspect them, provided they are returned to our factory, transportation charges prepaid, within 30 days, and provided they have not been altered or defaced in any way.

## 8. Tooling and Designing

(a) In consideration of the engineering service necessary in the designing of jigs, fixtures and tooling not being charged for, but being quoted on the basis of labor and material only, and not at their fair market value, such jigs, fixtures and tooling shall remain in our possession for at least one year. Thereafter, the customer desiring delivery of such jigs, fixtures and tooling shall pay an engineering charge of 50 percent of the original price of said jigs, fixtures and tooling and accept same as-is.

(b) When requested, we will submit suggestions concerning design and construction of parts, but we will not accept responsibility of liability for the practicability of these suggestions if adopted by the customer.

## 9. Delivery and Adjustment to Price

(a) If the customer requests that the goods be manufactured and shipped on a date (or dates) earlier than originally agreed to by Rice Lake and the customer, and Rice Lake agrees to the earlier date (or dates), any increase in the cost of performance incurred by Rice Lake resulting from earlier manufacture and shipment will be included in an adjustment of the purchase price to be made by Rice Lake and will be paid by the customer.

# Terms and Conditions

(b) Should shipments be held beyond scheduled date for convenience of the customer, goods will be billed and charges will be made for warehousing, trucking and other expenses incident to such delay. Reasonable and sufficient care is taken by Rice Lake in crating its goods. Rice Lake cannot be held responsible for breakage after having received “in-good-order” receipts from the transportation carrier. All claim for loss and damage must be made by the customer to the carrier, but we will assist insofar as practical in securing satisfactory adjustment of such claims.

## 10. Payment and Liens

(a) All invoices shall be due and payable when submitted for payment in accordance with the revisions of Rice Lake terms. No withholding of funds, back charges or credits against amounts otherwise due to Rice Lake will be permitted unless specifically agreed to in writing by Rice Lake. Settlement of any amounts due to the customer will be negotiated as separate items and not as offsets against amounts otherwise due to Rice Lake from the customer for products sold hereunder.

(b) Any unpaid account for work done shall constitute a lien on any jigs, fixtures, manufactured parts and raw materials in Rice Lake possession. In the event any account remains open and unpaid for 90 days, Rice Lake reserves the right to use the customer’s jigs and fixtures to make parts therefrom, and to sell or dispose of manufactured parts and raw materials.

(c) The customer shall not assign or transfer any rights or obligations arising from this proposal, or monies payable thereunder, without the prior written consent of Rice Lake, and any such assignment or transfer made without such written consent shall be deemed null and void.

## 11. Additional Provisions

(a) Errors—stenographic and clerical errors are subject to correction.

(b) These terms and conditions constitute the entire contract between the customer and Rice Lake, transcending any oral arrangements or representations which may be inconsistent therewith.

(c) This quotation is made under and shall be governed by the laws of the state of Wisconsin.

## 12. Resale of Rice Lake Weighing Systems Products

In order to ensure compliance with the U.S. Export Administration Regulations we ask you to comply with the following:

(a) The customer shall not export or re-export Rice Lake Weighing Systems products, either directly or indirectly, in contravention of any applicable law, statute or regulation and will first obtain any required licenses or authorizations from the relevant government authority when necessary as prescribed by law.

(b) The customer confirms that it is familiar with and complies with the relevant national and international export control regulations and embargo regulations. The customer furthermore confirms that it is in particular familiar with and complies with the U.S. Department of Commerce, Export Administration Regulations; U.S. Department of Treasury, OFAC Sanctions; the U.S. Department of Defense, ITAR requirements and the U.S. Department of State regulations.

(c) If deemed necessary, Rice Lake Weighing Systems, in individual cases may make further requests from the customer for information required for export compliance.

(d) Should it be necessary for the customer to obtain an export license from the appropriate authorities pursuant to the aforementioned regulations, the customer shall apply for such a license autonomously and at their own expense.

**The foregoing warranties are exclusive and in lieu of all other express and implied warranties whatsoever, including but not limited to implied warranties of merchantability and fitness for a particular purpose. Rice Lake shall not be subject to any other obligations or liabilities whatsoever with respect to parts manufactured or supplied by Rice Lake or services rendered by it.**

**Anything herein to the contrary notwithstanding, Rice Lake shall not be liable for incidental and consequential damages, and in substitution for all remedies which the customer may have under any applicable law. The customer’s sole and exclusive remedy against Rice Lake for any breach of warranty or any other breach relating to goods delivered pursuant hereto shall be for repair or replacement (at Rice Lake’s option) of the goods or parts effected by such breach.**

## Warranties

### Standard Product Limited Warranty

Rice Lake Weighing Systems (Rice Lake) warrants that all Rice Lake brand equipment and systems properly installed by an Authorized Reseller or original equipment manufacturer (OEM) will operate per written specifications as confirmed by the authorized reseller/OEM and accepted by Rice Lake. All systems and components are warranted against defects in materials and workmanship for one (1) year from the date of shipment from Rice Lake, unless otherwise stated in the product catalog or manual. Rice Lake warrants that the equipment sold here under will conform to the current written specifications authorized by Rice Lake. Rice Lake warrants the equipment against faulty workmanship and defective materials. If any equipment fails to conform to these warranties, **Rice Lake will, at its option, repair or replace such goods returned within the warranty period subject to the following conditions:**

Upon discovery by the Customer of such nonconformity, Rice Lake will be given prompt written notice with a detailed explanation of the alleged deficiencies.

Individual electronic components returned to Rice Lake for warranty purposes must be packaged to prevent electrostatic discharge (ESD) damage in shipment. Packaging requirements are listed in the publication, “Protecting Your Components From Static Damage in Shipment,” available from the Rice Lake Equipment Return Department.

Examination of such equipment by Rice Lake confirms that the non-conformity actually exists, and was not caused by accident, misuse, neglect, alteration, improper installation, improper repair, or improper testing. Rice Lake shall be the sole judge of all alleged non-conformities.



# Warranty and Limitation of Liability

Such equipment has not been modified, altered, or changed by any person other than Rice Lake or its duly authorized repair agents.

Cutting the load cell cable will void the warranty.

Rice Lake will have a reasonable time to repair or replace the defective equipment. The Customer is responsible for shipping the product to Rice Lake. Rice Lake is responsible for shipping the product back to the Customer.

In no event will Rice Lake be responsible for travel time or on-location repairs, including assembly or disassembly of equipment. Nor will Rice Lake be liable for the cost of any repairs made by others.

On all intrinsically safe equipment, any field repair or modifications voids any and all warranties expressed or implied and void F.M. approval.

Any loose hardware, screws, washers or non-ESD bags of hardware stored inside indicator will void warranty. This could cause harm to repair technician or damage CPU board.

If just the board is sent in for repair, the serial number of the product the board is from should accompany the board.

**These warranties exclude all other warranties, expressed or implied, including without limitation warranties of merchantability or fitness for a particular purpose. Neither Rice Lake nor the authorized reseller will, in any event, be liable for incidental or consequential damages at the point of use. Rice Lake and the Customer agree that Rice Lake's sole and exclusive liability here under is limited to repair or replacement of such goods. In accepting this warranty, the Customer waives any and all other claims to warranty.**

**Should the seller be other than Rice Lake, the Customer agrees to look only to the seller for warranty claims.** No terms, conditions, understanding, or agreements purporting to modify the terms of this warranty shall have any legal effect unless made in writing and signed by a corporate officer of Rice Lake and the Customer.

## Carrier Product Damage

As part of our commitment to customer satisfaction and in accordance with ISO 9001 standards, we make every attempt to pack our products so they will arrive in new condition. Occasionally due to rough handling or carelessness of carrier, product may arrive in a damaged condition. When this happens, don't assume that the shipment left Rice Lake in that condition or that the original packing was not sufficient.

The receiver, whether it is the authorized reseller or their Customer, is responsible for making a notation of damaged or missing items when signing the carrier's delivery receipt. If you or your Customer are not sure whether there is damage, we suggest adding a statement "CONDITION UNKNOWN" to the delivery receipt. In the event that damage or missing items are not properly documented at time of receipt, the carrier is relieved of responsibility and the receiver is then responsible for the cost to get the product back to new condition.

After the damage or shortage has been properly noted with the carrier, contact Rice Lake immediately and keep all the original packaging material for inspection by the carrier's representative. It is also helpful in the claim process to take pictures of the condition of the packaging and damage.

When drop-shipping items to your Customers, it is imperative that you advise them of their responsibility in accepting shipments from common carriers. Even if the equipment is not expected to be installed or used for a period of time, the shipment must be inspected at time of receipt in order to preserve their rights for making a claim.

## Custom Software Limited Warranty

Rice Lake Weighing Systems (Rice Lake) warrants that (a) the software will perform in accordance with the specification and accompanying written endorsement by the Customer for a period of 90 days from the date of receipt; (b) any hardware accompanying the software will be free from defects in materials and workmanship under normal use and service for a period of one (1) year from the date of shipment from Rice Lake; and (c) the Customer should perform inspection and testing of software products prior to installation.

This limited warranty is void if failure of the software or hardware has resulted from accident, abuse, misapplication, or incorrect Customer specification. Any replacement software will be warranted for the remainder of the original warranty period or 30 days, whichever is longer.

If the software fails to conform to these warranties, Rice Lake will, at its option, repair or replace such goods returned within the warranty period subject to the following conditions:

Upon discovery by the Customer of such nonconformity, Rice Lake will be given prompt written notice with a detailed explanation of the alleged deficiencies.

Examination of software by Rice Lake confirms that the nonconformity exists, and was not caused by accident, misuse, neglect, alteration, improper installation, improper repair, improper testing, or incorrect Customer specification. Rice Lake shall be the sole judge of all alleged non-conformities.

Rice Lake will have a reasonable time to repair or replace the software. The Customer is responsible for shipping charges both ways.

In no event will Rice Lake be responsible for travel time or on-location repairs, including assembly or disassembly of equipment. Nor will Rice Lake be liable for the cost of any repairs made by others.

**These warranties exclude all other warranties, expressed or implied, including without limitation warranties of merchantability or fitness for a particular purpose. Neither Rice Lake nor the authorized reseller will, in any event, be liable for incidental or consequential damages at the point of use.**

**Rice Lake and Customer agree that Rice Lake's sole and exclusive liability here under is limited to repair or replacement of such goods. In accepting this warranty, the Customer waives any and all other claims to warranty.**

# Warranty and Limitation of Liability

Should the seller be other than Rice Lake, the Customer agrees to look only to the seller for warranty claims.

No terms, conditions, understanding, or agreements purporting to modify the terms of this warranty shall have any legal effect unless made in writing and signed by a corporate officer of Rice Lake and the Customer.

## Return Policies

Our commitment to our Customers states that if any standard product purchased from Rice Lake does not work, or if the incorrect product is shipped, **return it in its original shipping carton with all accessories in “like new” condition** for full credit or replacement within 30 days of purchase. **Electronic components returned to Rice Lake must be properly packaged to prevent electrostatic discharge (ESD) damage in shipment.** Packaging requirements are listed in the publication, “Protecting Your Components from Static Damage in Shipment,” available online or from our Returns Department. This policy and the 30-day limit also apply to any products drop-shipped directly from the manufacturer.

Please note that if an incorrect quantity of product was shipped, Rice Lake must be contacted within 10 days of the purchase. Upon notification, we will immediately correct the situation.

**A restocking charge will apply if equipment is not in like-new condition.** The restocking charge is directly proportional to the amount of time and material required to return the item to resalable condition—we will make every effort to do this quickly and economically. Equipment that has been abused and/or shows signs of excessive wear and cannot be reconditioned and resold will not be accepted for return or credit after excessive wear or has been modified.

## As Applied to Drop Shipments

All Rice Lake return guidelines apply to products drop-shipped directly from the manufacturer. If a perceived error occurs, Rice Lake will investigate to the best of our ability to determine if the error occurred prior to shipping, during shipping, or at the end user site. If our records and subsequent investigation indicate that the shipment was correct when it left our factory, our responsibility extends only to the authorized reseller, not their end user. Our standard product warranty notes that our coverage extends only to equipment and systems **properly installed by an authorized reseller.**

## Obtaining an RMA

A return authorization number (RMA) is required for all materials being returned to Rice Lake for credit. Flat rate repairs require purchase orders at time of RMA issuance. When returning equipment for repair or warranty reimbursement consideration, these simple steps will help to expedite your request:

1. Contact our Returns Department.
2. Please have your customer number and both the item description and detailed findings of product problem for repair.
3. Please have the original sales order or invoice number for items to be returned for credit or warranty.  
NOTE: See return policy
4. An RMA number will be given for eligible returns. This RMA number may also be faxed or emailed per your request.

## Return Shipments Outside the United States for Repair, Warranty, Calibration or Other Services and Re-export.

### For shipment to the USA:

1. The commercial invoice must include the following statement:
  - i. “These goods are being returned for maintenance under”
  - ii. Goods Made in the USA -- “HTS 9801.00.1012”
  - iii. Goods NOT made in the USA -- “HTS 9801.00.2500”
2. The commercial invoice must list items individually and include the fair market value of the item based on its present condition for customs purposes only.
3. Please reference original Rice Lake commercial invoice number and date item was purchased if applicable.
4. Please note that failure to follow these procedures may cause delay and will certainly incur extra charges that will NOT be absorbed by Rice Lake.

## Return Shipments Outside the United States Other Than for Repair, or Service Work Not Being Returned.

### For shipment to the USA:

1. The commercial invoice must include the following statement:
  - i. Goods Made in the USA -- “HTS 9801.00.1045”
  - ii. Goods NOT made in the USA -- “HTS 9801.00.2500”
2. The commercial invoice must list items individually and include the fair market value of the item based on its present condition for customs purposes only.
3. Please reference original Rice Lake commercial invoice number and date item was purchased if applicable.
4. Please note that failure to follow these procedures may cause delay and possible reduction in your refund.
5. Please be advised that you may qualify for a refund of your duties and should contact your local customs authority for instructions and forms.

## Special Order, Modified, Non-Catalog, or Non-Stock Items

Due to the added resources and difficulty in reselling special or non-standard products, returns or credit are not allowed for special order equipment, special software programs, equipment physically modified or altered in the field, discrete electronic components, relays, manuals, or opened software packages.

## Calibration Test Weights

All weights returned for credit will be assessed a restocking charge because of the required inspection and verification. Credit is not allowed for serialized weights, calibration or traceable services performed on weights.

### Calibration Test Weights

No returns will be accepted for items that are specifically modified for the Customer’s requirements. Examples of such modifications may include, but not necessarily limited to:

1. Weights that have been specifically built to the customer’s specifications.
2. Standard product specifically modified to the customer’s specifications.

# Warranty and Limitation of Liability

3. Standard product engraved with serial numbers at the customer's request.
4. Laboratory procedure charges.
5. Laboratory documentation fees.

## Balances

Balances returned for credit within 30 days of purchase may be subject to a restocking fee if assessed by balance manufacturer.

### Balance Repair Policy and Rates

We offer repair support on the following balance models:

- All Rice Lake brand models: Once we receive the equipment and the RMA form, an estimate will be prepared.

A minimum charge of one hour will apply. All balance repairs are covered by a 90-day limited warranty on parts and workmanship performed and noted under the scope of the specific repair. Balances must be packaged to adequately protect them from damage in transit. Please refer to "How to Prepare a Balance for Shipment" available on our website and from our Returns Department.

### How to Prepare a Balance for Shipment

The best and most effective method for shipping a balance at any time and for any reason is to use the original manufacturer's packaging materials and subsequently double box it as described below. Teach your Customers to retain the packing set. Please remember that due to the nature of the equipment, new packaging materials can be very expensive.

In the event that the original manufacturer's packaging materials are not available, follow these instructions for top loading balances.

1. Remove the weighing platform cover, support buttons, weighing platform, floor plate and other devices installed in the weighing chamber. Pack these pieces individually in bubble wrap and tape the wrapping closed. Follow this same procedure for AC adapters and power cords. Please note that AC adapters and power cords are necessary to adequately evaluate the problem.
2. Examine the device (refer to the operating instructions) and if necessary, re-install or tighten any shipping screws/retaining devices to prevent damage to the weighing mechanism during shipment.
3. If the floor plate is not removable, ensure it is securely in place and cannot come loose during shipment, even if the balance is inverted. Do NOT invert the balance to test the security of the floor plate.
4. Clean the device of any loose debris or potential contaminants to our testing facility.
5. Prepare and sign a Statement of Decontamination (form #0679). This form MUST be included in a separate packing list envelope on the outside of the box with the "Statement of Decontamination Form" statement clearly visible.

6. Using Scotch tape or "speed" tape, tape all the glass doors on the device CLOSED. Be sure the tape is securely affixed and will not come off during shipment. Please note that on some devices, the glass breeze-break around the weighing chamber can actually be disassembled and packed separate prior to shipment. Refer to the manufacturer's operating instructions. If this is a feature of the device being return, disassemble the breeze break and pack it in its own packing material and box.
7. Use a large box that will provide a minimum of 3 inches of space around the device for loose-fill packing material.
8. Place a padding of foam or Styrofoam (at least 1inch thick) at the bottom of the box.
9. Place the balance in a large plastic bag and seal the bag closed.
10. Please put the device on top of the foam padding or Styrofoam from step 8 above.
11. Ensure that there is at least three inches of clearance between the top of the balance and the top of the box.
12. Using generous amounts of anti-static loose-fill packing material, fill all the spaces around the balance. Shake the box to cause the material to settle and add additional loose fill as necessary.
13. Place the small box containing all the items from step 1 above on top of the loose fill covering the balance. Add additional loose fill to completely cover all items within the box.
14. Double pack this box in another box that will again provide an additional two inches of space around the inner box. Fill all existing space between the inner and outer box with copious amounts of anti-static loose fill packing material.
15. Seal the box and include all the necessary documentation on the outside of the box. Don't forget the Decontamination Form (form #0679) from step 5 above.

## Repair Service Policies

Our Service Department is staffed Monday through Friday from 6:30 A.M. to 6:30 P.M., and Saturday from 8:00 A.M. to noon, Central time. For those utilizing the conveniences of the internet, we have an e-mail address dedicated to technical support. Please contact Rice Lake at [service@ricelake.com](mailto:service@ricelake.com) for answers to your technical questions and the status of repair products during normal business hours.

We provide quality and timely repairs for the products we sell. Flat rate repair is offered for selected models of indicators, printers and remote displays. Prior to returning a product for repair, our returns department will work with you to determine some key factors that will help Rice Lake better serve you. Please provide the following via phone to extensions 5348 or an RMA form.

# Warranty and Limitation of Liability

- Customer Number: Without a customer number we cannot issue an RMA number.
- Ship-to Address: Your customer number will bring up the bill-to address. You must inform Rice Lake of the ship-to address if it's different than the bill-to address.
- **Original sales and invoice orders: Required on warranty claims.**
- Freight Type: Unless stated otherwise, we ship the device back to you utilizing the same freight type in which we received it. If Rice Lake is responsible for freight charges, the carrier will be selected at the sole discretion of Rice Lake.
- **Definition of Product and Problem: Please provide as much detail as possible regarding the type of product, application and problem.**
- Purchase Order Number for Flat Rate Repair: Once we receive the equipment and the RMA, equipment for flat rate repair will be processed immediately. Other equipment will be evaluated and a minimum evaluation charge will apply (contact the factory for exact pricing).

You may be asked about the possibility of a new replacement product. It may be in your customer's best interest to explore the option of purchasing a new product if the repair will exceed 50 percent of authorized reseller net price, since new products carry full-warranty benefits.

Please note our hourly service rate on all current Rice Lake products. Contact the factory for exact pricing. There is a 120-day limited warranty on parts and workmanship performed and noted under the scope of the specific repair.

## California Proposition 65

### Rice Lake Weighing Systems Statement

Proposition 65 requires businesses to inform Californians about exposures to chemicals that are listed by the State of California as known to cause cancer, birth defects or other reproductive harm. There are over 900 different chemicals listed under Proposition 65 and more chemicals are listed by the State of California each year. These chemicals may be in the products you purchase, or you may be exposed to them at home, at the workplace or within the environment. Proposition 65 enables Californians to make informed purchasing decisions about products that can expose you to these chemicals even in minute or trace amounts. California's Proposition 65 is a California only law.



Rice Lake Weighing Systems provides Proposition 65 warnings on the packaging of the products it sells that may require a warning in an abundance of caution. All of Rice Lake's products are safe for their intended use. We are providing this warning based on the knowledge that one or more chemicals included in the California Proposition 65 list is present in Rice Lake Weighing Systems products even if only in trace or minute amounts. To the extent that customers repackage any Rice Lake products they have sole responsibility for ensuring that the Rice Lake Proposition 65 warning is provided if the repackaged product is sold in California. Any Rice Lake customer who repackages a Rice Lake product but does not include the Rice Lake Proposition 65 warning that is included on the Rice Lake packaging agrees to defend and indemnify Rice Lake by counsel of its choice if a claim is asserted against Rice Lake based on the failure to provide a Proposition 65 warning on the repackaged product. The Rice Lake terms and conditions prevail over any conflicting terms in customer's purchase documentation and customer's order and receipt of Rice Lake Products is deemed acceptance of Rice Lake's terms and conditions. More information about California's Proposition 65 can be found at [www.P65Warnings.ca.gov](http://www.P65Warnings.ca.gov).

# Using Ingress Protection (IP) Ratings

For load cell sealing techniques, Rice Lake Weighing Systems uses the Ingress Protection (IP) rating system. We find the IP numbers and their definitions are suitable for the classification of load cells and only apply IP numbers to such cells. The IP numbers for a load cell further specify the treatment a specific cell can endure in environments more severe than simple washdown.

All load cell cables should be run through conduit to increase protection against moisture ingress

Example: Protection level offered by an IP67 rated product

IP 67

Protection against solid objects

First number (in this case 6)

- 0 No protection
- 1 Protected from solid objects up to 50 mm (e.g., accidental touch by hands)
- 2 Protected from solid objects up to 12 mm (e.g., fingers)
- 3 Protected from solid objects more than 2.5 mm (e.g., tools and small wires)
- 4 Protected from solid objects more than 1 mm (e.g., small wires)
- 5 Protected from dust; limited entrance (no harmful deposit)
- 6 Totally protected from dust

Protection against liquids

Second number (in this case 7)

- 0 No protection
- 1 Protected from vertically-falling drops of water (e.g., condensation)
- 2 Protected from direct sprays of water up to 15° from vertical
- 3 Protected from direct sprays of water up to 60° from vertical
- 4 Protected from water sprayed from all directions; limited entrance allowed
- 5 Protected from low pressure jets of water from all directions; limited entrance allowed
- 6 Protected from strong jets of water (e.g., for use on ship decks); limited entrance allowed
- 7 Protected from the effects of immersion between 15 cm and 1 m for 30 minutes
- 8 Protected from extended periods of immersion under pressure
- 9K Protected against high-pressure water and stream jets, including close range, high pressure and high-temperature spray associated with cleaning.

IP Numbers with Hermetically Sealed (HS) or Environmentally Protected (EP) Ratings

Rating	Protection
EP	Dust proof, not protected from moisture or water
IP65	Dust proof, protected from splashes and low-pressure jets
IP66	Dust proof, protected from strong water jets
IP67	Dust proof, protected from temporary immersion in water 1 meter deep for 30 minutes
IP68	Dust proof, protected from continuous immersion in water under more severe conditions than IP67
IP66/68	Dust proof, protected from strong water jets and/or constant immersion
IP69K	Dust proof, protected from high pressure washing and steam cleaning

# Weigh Module Application



This Weigh Module Application form will help you and your customer choose the best weigh module kit for their application. It has the most commonly asked questions and the back can be used to sketch the application, make notes or draw the bolt pattern needed to mate the legs and mount plates. A copy should be made for your files for future reference.

## CONTACT INFORMATION

Sales Organization \_\_\_\_\_ Sales Person \_\_\_\_\_  
Dealer/Customer Number \_\_\_\_\_ Email \_\_\_\_\_  
Phone \_\_\_\_\_ Address \_\_\_\_\_  
City \_\_\_\_\_ State \_\_\_\_\_ Zip \_\_\_\_\_

## APPLICATION NOTES

Is the application washdown?  Yes  No  High Pressure  Steam

Ambient temperature that load cells will be exposed to \_\_\_\_\_

List of chemicals that load cells will be exposed to \_\_\_\_\_

Is weighing environment considered explosive, if so please provide class, group and division area is classified as \_\_\_\_\_

Is FM approval required for the load cells?  Yes  No

Is ATEX approval required for the load cells?  Yes  No

Are NTEP Certified load cells required? (Legal for Trade)  Yes  No

Type of vessel being weighed \_\_\_\_\_

Tension  Compression  Vertical  Horizontal

Configuration of vessel?  Round  Square  Rectangle

Number of supports or weigh points? \_\_\_\_\_

Product being weighed \_\_\_\_\_

Desired material of load cell?  Stainless  Alloy steel  Aluminum

Desired material of mount assembly?  Stainless  Alloy steel

Live load of material? \_\_\_\_\_ lbs \_\_\_\_\_ kgs

Dead load of vessel? \_\_\_\_\_ lbs \_\_\_\_\_ kgs

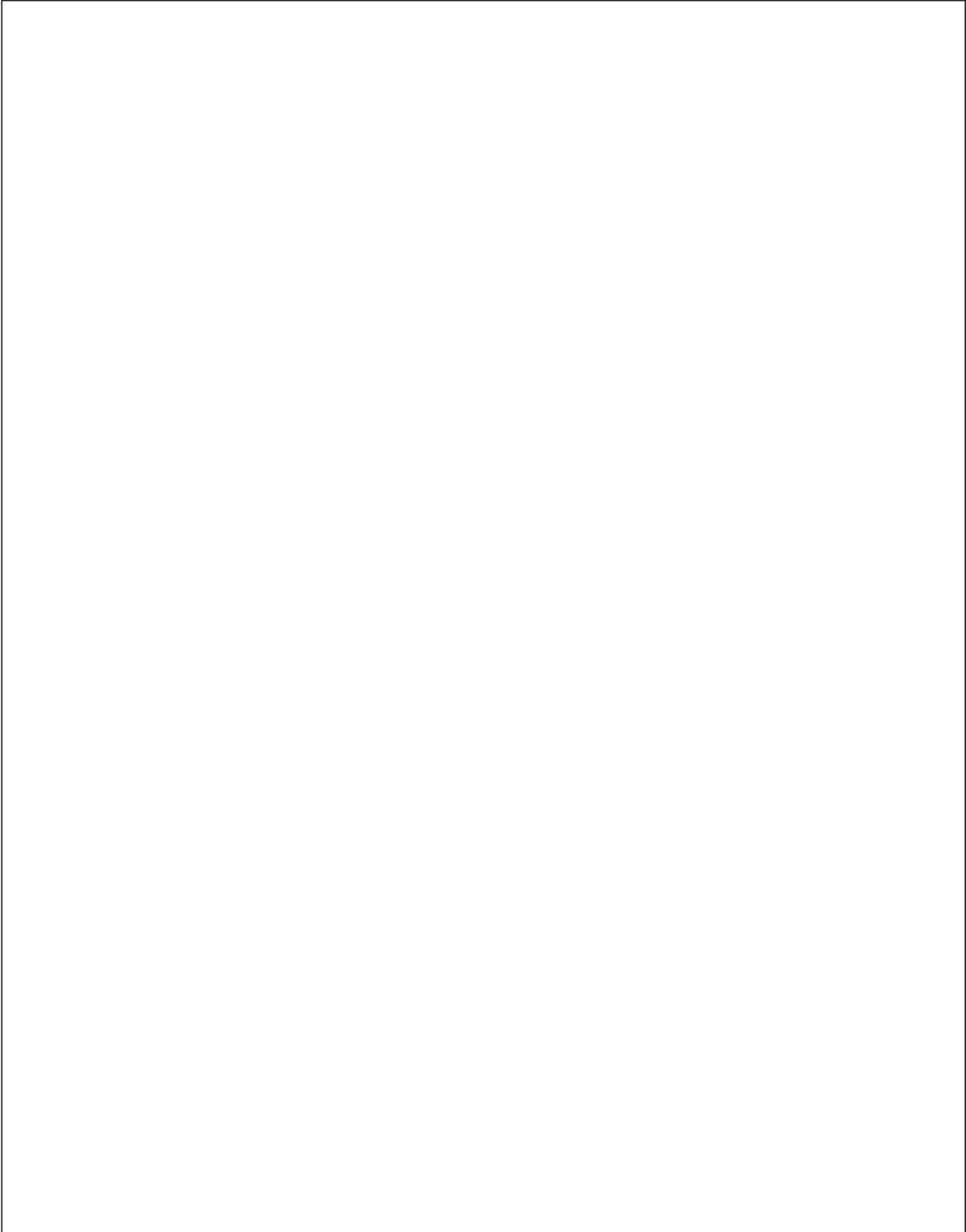
Any mixers or motors that are part of the vessel. If yes, location and size (horsepower) \_\_\_\_\_

Will there be shock loading?  Yes  No If yes, provide calculation or description \_\_\_\_\_

Notes: \_\_\_\_\_  
\_\_\_\_\_  
\_\_\_\_\_

Any modifications desired for the weigh module, i.e. top or bottom plate size, bolt hole pattern?  
If so, please provide sketch below:

---







# SURVIVOR Weigh Modules

---

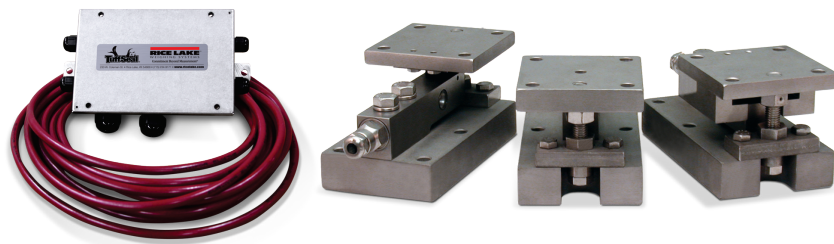
## TABLE OF CONTENTS

<b>SURVIVOR Paramounts® HE</b> .....	<b>32</b>
<i>Medium-capacity Weigh Module Systems</i>	
<b>RL1700 HE</b> .....	<b>33</b>
<i>Light- to Medium-capacity Weigh Modules</i>	
<b>RL1600 HE Series</b> .....	<b>34</b>
<i>Medium-capacity with RL75016WHE Load Cells</i>	
<b>RL1855 HE-HS</b> .....	<b>35</b>
<i>Medium-capacity Weigh Modules</i>	
<b>RL2100 HE</b> .....	<b>36</b>
<i>Heavy-capacity Weigh Modules</i>	

*Product names, logos, brands and other trademarks featured or referred to within this publication are the property of their respective trademark holders.*

# SURVIVOR Paramounts® HE

Medium-capacity Weigh Module Systems



Picture is a representation of actual product.

## Complete Kit Includes

- One fixed-pin module, one side-stop module, and one or two free-sliding assemblies. Each module is complete with a Flintec SB4 stainless steel hermetically sealed load cell.
- One JB4SS NEMA Type 4X stainless steel signal trim junction box
- 25 ft of our hostile environment EL147HE SURVIVOR load cell cable

## Standard Features

- All stainless steel construction
- Bolt-in-place design; module bolts directly to tank leg without requiring additional load buttons or mounting plates
- Load cell outputs are mV/V/ohm calibrated to minimize maintenance costs
- Unique design allows for thermal expansion/contraction
- Low-profile, self-checking design
- Jacking screw allows empty vessel to be lifted clear of load cell for maintenance
- Unique patented blind load hole technology minimizes unwanted side and eccentric loading
- Vessel is free to slide laterally on PTFE-coated surfaces

## Applications

- Medium-capacity blenders and tanks
- Batching/blending
- Pharmaceutical processing
- Food processing
- Petroleum refining and batching

## Load Cell Approvals



## Order Information

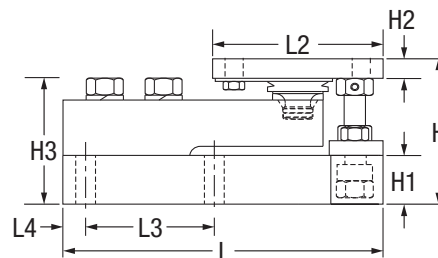
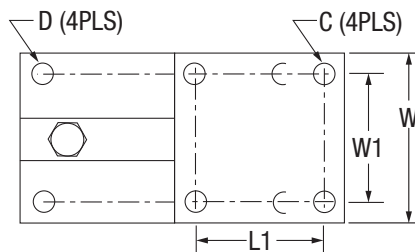
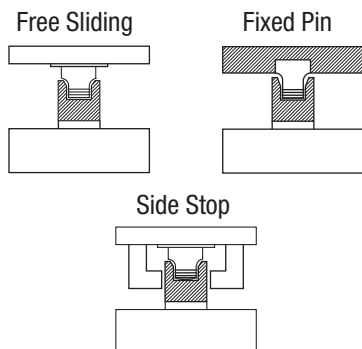
Load Rating (Per Module)	Part #	Price
<b>NTEP Certified/OIML C3 3-Module Kit</b>		
5 kN	29883	\$4,314.00
10 kN	29884	\$4,314.00
23 kN	29885	\$4,314.00
50 kN	29886	\$5,835.00
<b>NTEP Certified/OIML C3 4-Module Kit</b>		
5 kN	29879	\$5,734.00
10 kN	29880	\$5,734.00
23 kN	29881	\$5,734.00
50 kN	29882	\$7,378.00
<b>Non-NTEP Certified 3-Module Kit</b>		
5 kN	17991	\$4,200.00
10 kN	17992	\$4,200.00
23 kN	17993	\$4,200.00
50 kN	17994	\$5,460.00
100 kN	17995	\$6,220.00
<b>Non-NTEP Certified 4-Module Kit</b>		
5 kN	17998	\$5,480.00
10 kN	17999	\$5,480.00
23 kN	18000	\$5,480.00
50 kN	18001	\$6,906.00
100 kN	18002	\$8,644.00
*Conduit adapter, 1/2-14 NPT	17703	\$50.00

\*Must be factory installed

## Dimensions

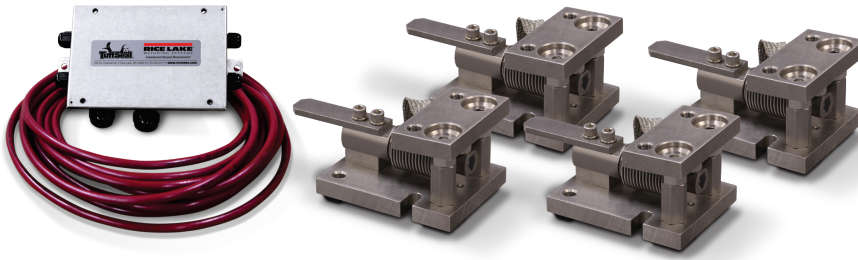
Rated Capacity	C	D	H	H1	*H2	**H2	H3	L	L1	L2	L3	L4	W	W1
kN/in														
5 to 23	0.44	0.44	3.58	1.25	0.50	0.75	3.06	7.51	3.00	4.00	3.00	0.50	4.00	3.00
50	0.56	0.56	4.66	1.50	0.62	1.00	4.09	9.19	3.87	5.00	3.87	0.56	5.00	3.87
100	0.69	0.69	6.41	2.00	0.75	1.25	5.73	11.46	4.75	6.00	4.75	0.69	6.00	4.75

\*Side stop and free sliding units \*\*Fixed pin units



# RL1700 HE

Light- to Medium-capacity Weigh Modules



Picture is a representation of actual product.

## Order Information

Load Rating (Per Module)	Part #	Price
<b>Single Module (Includes Load Cell)</b>		
5 kg	32687	\$1,000.00
10 kg	32688	\$1,000.00
20 kg	32689	\$1,000.00
50 kg	32690	\$1,000.00
100 kg	32691	\$1,000.00
200 kg	32692	\$1,000.00
250 kg	32693	\$1,000.00
500 kg	32974	\$1,225.00
1,000 kg	32973	\$1,225.00
2,000 kg	32972	\$1,225.00
5,000 kg	32971	\$1,495.00
<b>3-Module Kit</b>		
5 kg	32920	\$3,215.00
10 kg	32921	\$3,215.00
20 kg	32922	\$3,215.00
50 kg	32923	\$3,215.00
100 kg	32924	\$3,215.00
200 kg	32925	\$3,215.00
250 kg	32926	\$3,215.00
500 kg	32980	\$3,875.00
1,000 kg	32981	\$3,875.00
2,000 kg	32982	\$3,875.00
5,000 kg	32983	\$4,785.00
<b>4-Module Kit</b>		
5 kg	32927	\$4,250.00
10 kg	32928	\$4,250.00
20 kg	32929	\$4,250.00
50 kg	32930	\$4,250.00
100 kg	32931	\$4,250.00
200 kg	32932	\$4,250.00
250 kg	32933	\$4,250.00
500 kg	32984	\$5,105.00
1,000 kg	32985	\$5,105.00
2,000 kg	32986	\$5,105.00
5,000 kg	32987	\$5,985.00

## Dimensions

Rated Capacity	C	B	*H1	**H2	L	L1	L2	L3	L4	L5	W	W1	W2	W3
kg/mm														
5 to 250	13.1	1/2-20 UNF	80.0	86.1	131.8	63.8	76.0	42.0	56.0	14.1	101.4	70.0	15.5	25.4
500 to 2,000	13.1	5/8-18 UNF	101.6	109.4	165.1	71.2	129.5	15.5	75.5	60.0	110.0	70.0	20.0	31.8
5,000	19.8	3/4-10 UNC	135.0	143.0	215.0	81.0	161.0	20.0	90.0	70.0	150.0	90.0	30.0	40.0

\* In weighing position \*\* In jacked-up position for load cell shipping or removal

## Complete Kit Includes

- Three or four RL1700 HE stainless steel compression mounts with NTEP Certified RL9018SS (5 to 250 kg) or RLHTO (500 to 5,000 kg) stainless steel, hermetically sealed single-ended beam load cells
- One JB4SS NEMA Type 4X stainless steel signal-trim junction box
- 25 ft of our hostile environment EL147HE SURVIVOR load cell cable

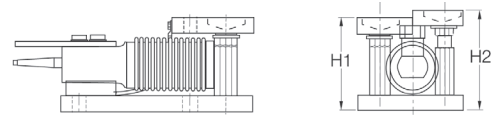
## Standard Features

- Capacities (per module) 5 kg to 5,000 kg
- All stainless steel, weldless construction retains less residue and allows fast, thorough cleaning
- Bolt-in-place design; module bolts directly to tank leg without requiring additional load buttons or mounting plates
- Self-checking with lift-off/tip-over protection and jacking/shipping bolts
- Load cell is isolated from overload in all directions

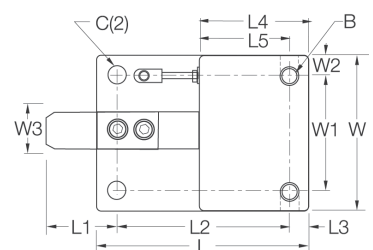
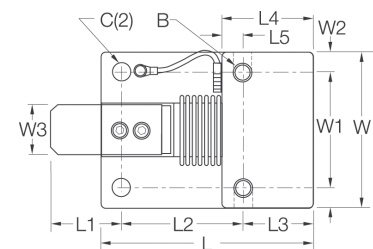
## Applications

- Multi-ingredient micro-batching
- Meat and poultry processing
- Batching/blending
- Dye/ink blending

## Load Cell Approvals



5 kg - 250 kg capacities



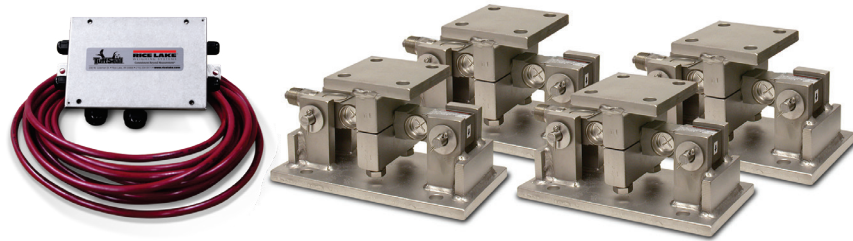
500 kg - 5000 kg capacities

SURVIVOR®  
WEIGH MODULES

# RL1600 HE Series

Medium-capacity with RL75016WHE Load Cells

**Discontinued**



Picture is a representation of actual product.

## Complete Kit Includes

- Three or four RL1600 HE stainless steel compression mounts with RL75016WHE stainless steel, hermetically sealed double-ended shear beam load cells
- One JB4SS NEMA Type 4X stainless steel signal trim junction box
- 25 ft of our hostile environment EL147HE SURVIVOR load cell cable

## Standard Features

- All stainless steel construction
- Self-checking, easy-to-use design allows module to be bolted directly to tank leg without requiring additional mounting plates or load buttons
- Center loaded

## Applications

- Medium-capacity tanks, bins and hoppers
- Bulk material management
- Ingredient batching, mixing and blending

## Load Cell Approvals



SURVIVOR®  
WEIGH MODULES

## Order Information

Load Rating (Per Module)	Part #	Price
<b>Single Mount Does Not Include Load Cells</b>		
1,000 to 5,000 lb	17813	\$685.00
10,000 to 25,000 lb	17815	\$1,345.00
<b>3-Module Kit</b>		
1,000 lb	46723	\$4,500.00
1,500 lb	119673	\$4,500.00
2,000 lb	119675	\$4,500.00
2,500 lb	46724	\$4,500.00
5,000 lb	46725	\$4,500.00
10,000 lb	46726	\$6,725.00
15,000 lb	46727	\$6,725.00
20,000 lb	84664	\$6,725.00
25,000 lb	46728	\$6,725.00
<b>4-Module Kit</b>		
1,000 lb	46729	\$5,865.00
1,500 lb	119674	\$5,865.00
2,000 lb	119676	\$5,865.00
2,500 lb	46730	\$5,865.00
5,000 lb	46731	\$5,865.00
10,000 lb	46732	\$8,800.00
15,000 lb	46733	\$8,800.00
20,000 lb	84665	\$8,800.00
25,000 lb	46734	\$8,800.00
<b>Dummy Load Cells (Mild Steel)</b>		
1,000 to 5,000 lb	18236	\$26.00
10,000 to 25,000 lb	18237	\$42.00

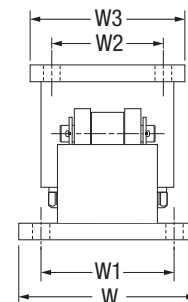
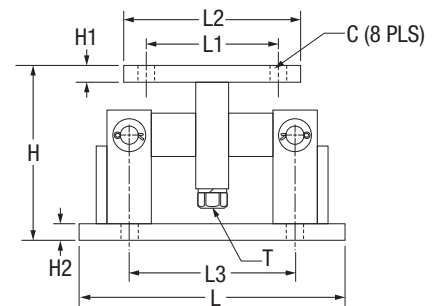
## Shims\*

Part #	Price
<b>1,000 to 5,000 lb</b>	
0.0625	150852 \$7.00
0.125	150853 \$12.00
0.250	150854 \$18.00
<b>10,000 to 25,000 lb</b>	
0.0625	150855 \$19.00
0.125	150856 \$30.00
0.250	150857 \$65.00

\*Shims match the top plate

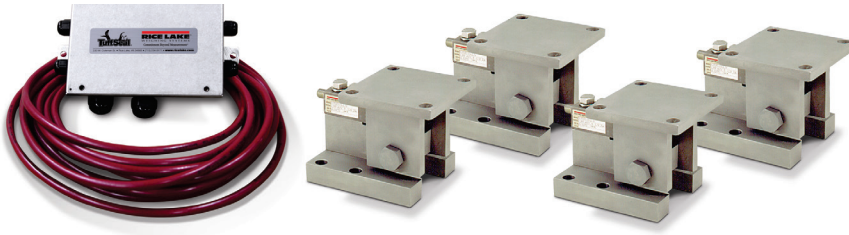
## Dimensions

Rated Capacity	C	H	H1	H2	L	L1	L2	L3	T	W	W1	W2	W3
lb/in													
1,000 to 5,000	0.56	5.00	0.50	0.50	9.25	2.75	4.00	6.25	1/2-13 UNC	5.00	3.75	2.75	4.00
10,000 to 25,000	0.78	7.87	0.75	0.75	12.00	6.00	8.00	7.50	3/4-10 UNC	8.00	6.00	6.00	8.00



# RL1855 HE-HS

## Medium-capacity Weigh Modules



Picture is a representation of actual product.

### Complete Kit Includes

- Three or four RL1855 HE stainless steel mounts with RL32218S-HE NTEP Certified hermetically sealed stainless steel load cells
- One JB4SS NEMA Type 4X stainless steel signal trim junction box
- 25 ft of hostile environment EL147HE SURVIVOR load cell cable

### Standard Features

- NTEP Certified load cells, 5,000 d Class III multiple load cell
- All stainless steel construction
- Self-checking design with lift off/tip off protection

### Applications

- Medium-capacity hoppers, bins and tanks
- Batching/blending

### Load Cell Approvals

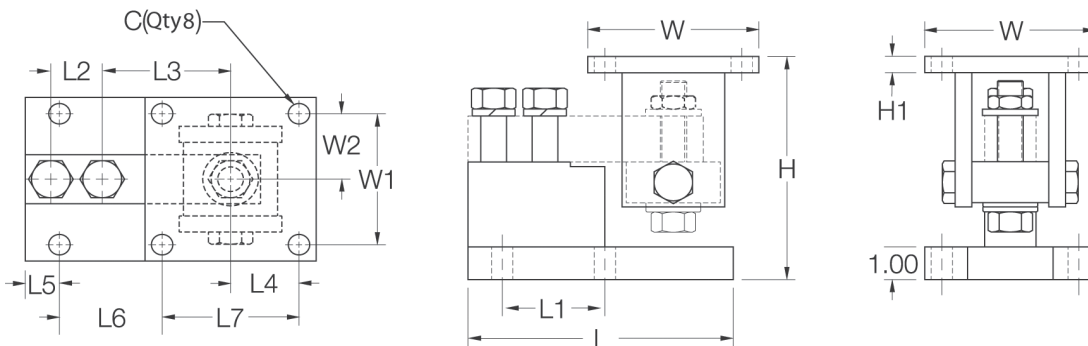


### Order Information

Load Rating (Per Module)	Part #	Price
<b>Single Modules (Includes Load Cell)</b>		
1,000 lb	<b>170857</b>	\$1,065.00
2,500 lb	<b>170858</b>	\$1,065.00
4,000 lb	<b>170859</b>	\$1,065.00
5,000 lb	<b>170860</b>	\$1,150.00
10,000 lb	<b>170861</b>	\$1,150.00
<b>3-Module Kit</b>		
1,000 lb	<b>170862</b>	\$3,354.00
2,500 lb	<b>170863</b>	\$3,354.00
4,000 lb	<b>170864</b>	\$3,354.00
5,000 lb	<b>170865</b>	\$3,615.00
10,000 lb	<b>170866</b>	\$3,615.00
<b>4-Module Kit</b>		
1,000 lb	<b>170867</b>	\$4,360.00
2,500 lb	<b>170868</b>	\$4,360.00
4,000 lb	<b>170869</b>	\$4,360.00
5,000 lb	<b>170870</b>	\$4,765.00
10,000 lb	<b>170871</b>	\$4,765.00

### Dimensions

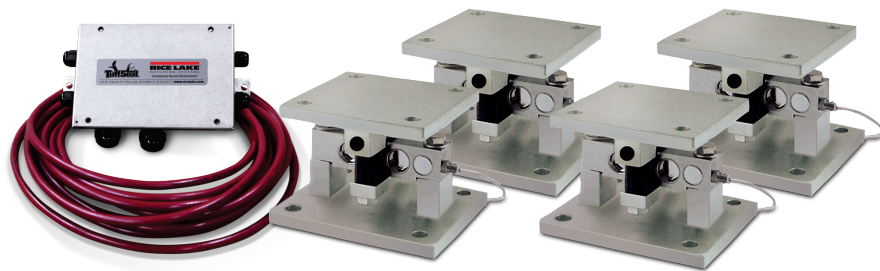
Rated Capacity C	C	H min/ max	H1	L	L1	L2	L3	L4	L5	L6	L7	W	W1	W2
lb/in														
1,000 to 4,000	0.62	5.25/5.56	0.50	6.00	2.00	1.00	3.00	2.00	0.68	1.94	4.00	5.00	4.00	2.00
5,000 to 10,000	0.62	6.12/6.62	0.50	7.75	3.00	1.50	3.75	2.00	1.03	2.97	4.00	5.00	4.00	2.00



**SURVIVOR®  
WEIGH MODULES**

# RL2100 HE

Heavy-capacity Weigh Modules



Picture is a representation of actual product.

## Complete Kit Includes

- Three or four RL2100 HE stainless steel compression mounts with NTEP Certified RL75060S or RL75058S-LP stainless steel, welded seal double-ended beam load cells
- One JB4SS NEMA Type 4X stainless steel signal-trim junction box
- 25 ft of our hostile environment EL147HE SURVIVOR load cell cable

## Standard Features

- NTEP Certified load cells, 5,000 d, Class III/10,000 d, Class III/ multiple cell
- All stainless steel construction
- Bolt-in-place design; module bolts directly to tank leg without requiring additional load buttons or mounting plates
- Self-checking design with lift-off/tip-over protection

## Applications

- Heavy-capacity tanks, blenders, reactors and bulk inventory management
- Petroleum refining process control
- Blending/batching

## Load Cell Approvals

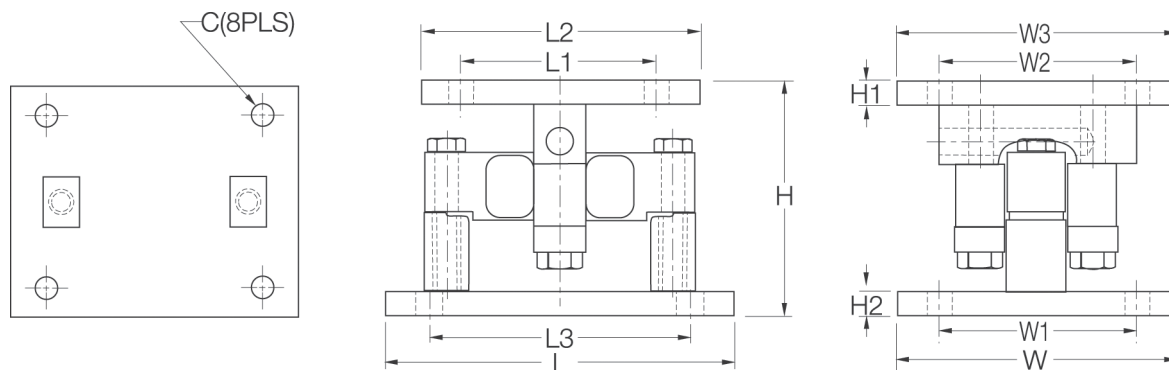


## Order Information

Load Rating (Per Module)	Part #	Price
<b>Single Module (Includes Load Cell)</b>		
20,000 lb	32951	\$1,822.00
25,000 lb	65541	\$1,785.00
35,000 lb	32952	\$2,860.00
50,000 lb	32953	\$2,860.00
60,000 lb	32954	\$2,860.00
75,000 lb	32955	\$2,860.00
100,000 lb	32956	\$4,895.00
<b>3-Module Kit</b>		
20,000 lb	32970	\$5,608.00
25,000 lb	65984	\$5,608.00
35,000 lb	32969	\$8,861.00
50,000 lb	32968	\$8,861.00
60,000 lb	32967	\$8,861.00
75,000 lb	32966	\$8,861.00
100,000 lb	32965	\$14,583.00
<b>4-Module Kit</b>		
20,000 lb	32964	\$7,404.00
25,000 lb	65983	\$7,404.00
35,000 lb	32963	\$11,382.00
50,000 lb	32962	\$11,382.00
60,000 lb	32961	\$11,382.00
75,000 lb	32960	\$11,382.00
100,000 lb	32959	\$19,362.00

## Dimensions

Rated Capacity	C	H	H1	H2	L	L1	L2	L3	W	W1	W2	W3
lb/in												
20,000 to 25,000	0.78	6.85	0.75	0.75	10.00	6.00	8.00	7.50	8.00	6.00	6.00	8.00
35,000 to 100,000	1.13	9.42	1.00	1.00	14.00	6.50	9.00	11.50	10.00	7.50	6.50	9.00



# Weigh Modules

## TABLE OF CONTENTS

<b>ITCM</b> .....	<b>38</b>	<b>EZ Mount 1 HE</b> .....	<b>69</b>
<i>Mild Steel, Isolated Tension Cell Modules</i>		<i>Stainless Steel, Weigh Modules</i>	
<b>ITCM SS</b> .....	<b>39</b>	<b>RL1600 Series with RL75016</b> .....	<b>70</b>
<i>Stainless Steel, Isolated Tension Cell Modules</i>		<i>Cast Iron, Weigh Modules</i>	
<b>ITCM HE</b> .....	<b>40</b>	<b>RL1600 Series with RL75016</b> .....	<b>71</b>
<i>Stainless Steel, Isolated Tension Cell Modules</i>		<i>Mild Steel, Weigh Modules</i>	
<b>RL50210TA</b> .....	<b>41</b>	<b>RL1600 Series with RL77032</b> .....	<b>72</b>
<i>Mild Steel/Stainless Steel, Mini Tank Weighing Module</i>		<i>Mild Steel, Weigh Modules</i>	
<b>65059</b> .....	<b>43</b>	<b>RL1600 Series with RL75016SS</b> .....	<b>73</b>
<i>Mild Steel/Stainless Steel, Mini Tank Weighing Module, VPG® Sensortronics®</i>		<i>Stainless Steel, Weigh Modules</i>	
<b>RL50219SS-TA</b> .....	<b>45</b>	<b>RL1600 SS Series with RL77032SS</b> .....	<b>74</b>
<i>Stainless Steel, Mini Tank Weighing Module</i>		<i>Stainless Steel, Weigh Modules</i>	
<b>Paramounts® EP</b> .....	<b>47</b>	<b>RL1600 Series with MLC Coated RL75016</b> .....	<b>75</b>
<i>Zinc Plated, Environmentally Protected, Tank Weighing Systems</i>		<i>Stainless Steel, Weigh Modules</i>	
<b>Paramounts® HS</b> .....	<b>49</b>	<b>RL1600 HE Series with RL77032SS HE</b> .....	<b>76</b>
<i>Zinc Plated, Hermetically Sealed, Tank Weighing Systems</i>		<i>Stainless Steel, Weigh Modules</i>	
<b>RLBTM</b> .....	<b>51</b>	<b>MVS Mount/MVS</b> .....	<b>77</b>
<i>Mild Steel/Stainless Steel, Weigh Modules</i>		<i>Mild Steel, Conversion Kit</i>	
<b>RL1800 Series</b> .....	<b>52</b>	<b>Translink™ Parallel Link</b> .....	<b>78</b>
<i>Mild Steel/Stainless Steel, Weigh Modules</i>		<i>Painted Mild Steel, Truck Scale Assembly</i>	
<b>RL1800 Series with MLC Coated Load Cell</b> .....	<b>54</b>	<b>Motor Truck Scale Electronic Conversion Kit</b> .....	<b>79</b>
<i>Stainless Steel, Weigh Modules</i>			
<b>RL1900 Series</b> .....	<b>55</b>	<b>MagnaMount™</b> .....	<b>80</b>
<i>Stainless Steel, Weigh Modules</i>		<i>Mount Assembly</i>	
<b>RLTM</b> .....	<b>56</b>	<b>Mettler Toledo® DigiTOL® Retrofit Kit</b> .....	<b>81</b>
<i>Stainless Steel, Tank Weigh Modules</i>		<i>Stainless Steel, Rice Lake Weighing Systems/Flintec</i>	
<b>RL9000TWM Series</b> .....	<b>57</b>	<b>Rice Lake Analog Retrofit Kit</b> .....	<b>83</b>
<i>Stainless Steel, Weighing Assembly</i>		<i>Stainless Steel, Analog Load Cells for B-Tek Digital Conversion to Analog</i>	
<b>RL9000TWM-HT</b> .....	<b>60</b>	<b>Electronic Floor Scale Underdeck Kits</b> .....	<b>84</b>
<i>Stainless Steel, High Temperature, Weigh Module</i>			
<b>RL2200 Series</b> .....	<b>61</b>		
<i>Mild Steel, Weighing Assembly</i>			
<b>RL2200SS Series</b> .....	<b>62</b>		
<i>Stainless Steel, Weighing Assembly</i>			
<b>RLC</b> .....	<b>63</b>		
<i>Stainless Steel, Weigh Modules, VPG® Revere</i>			
<b>220 Universal Mount</b> .....	<b>64</b>		
<i>Stainless Steel, Weigh Modules, VPG® Tedeo-Huntleigh®</i>			
<b>EZ Mount 1 with RL72020</b> .....	<b>65</b>		
<i>Mild Steel, Weigh Modules</i>			
<b>EZ Mount 1 SS with RL72020SS</b> .....	<b>67</b>		
<i>Stainless Steel, Weigh Modules</i>			
<b>EZ Mount 1 with MLC Coated RL72020</b> .....	<b>68</b>		
<i>Stainless Steel, Weigh Modules</i>			

Product names, logos, brands and other trademarks featured or referred to within this publication are the property of their respective trademark holders.

# ITCM

Mild Steel, Isolated Tension Cell Modules



Module with  
RL20000I S-beam load cell

## Complete Kit Includes

- Three or four ITCM assemblies with RL20000I NTEP Certified S-beam load cells
- One JB4SS NEMA Type 4X stainless steel signal trim junction box
- 25 ft of hostile environment EL147HE SURVIVOR® load cell cable

## Standard Features

- Capacities (per module): 100 to 20,000 lb
- Clevis mounts with nylon insulating washers
- Zinc-plated clevis assemblies
- Load cell is completely isolated from stray currents (except 20,000 lb)
- Grounding strap provides alternative path to ground
- Complete package for ease of installation
- Provides correct loading even in difficult installations
- Lower overall height compared to other isolated tension assemblies

## Applications

- Suspended hoppers and tanks
- Mechanical scale conversions
- Use as a single module or in multiples

Picture is a representation of actual product.

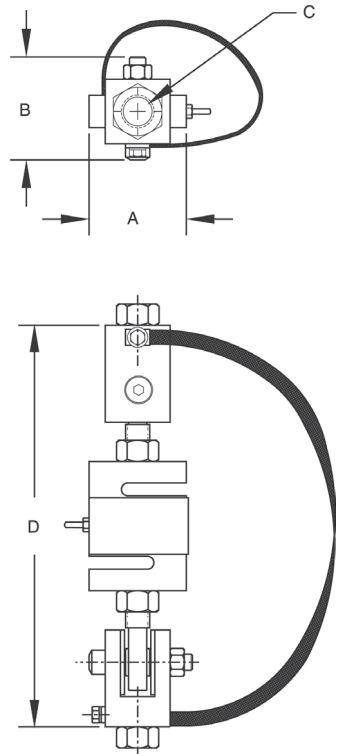
## Load Cell Approvals



WEIGH MODULES

## Load Rating Dimensions Per Module

Load Cell Capacity lb/in	Load Rating Dimensions Per Module				Single Module		3-Module Kit		4-Module Kit	
	A	B	C	D	Module	Price	Kit	Price	Kit	Price
100	2.00	1.81	3/8-16 UNC	7.00 (ref)	<b>17851</b>	\$566.00	<b>18003</b>	\$1,995.00	<b>18027</b>	\$2,573.00
			1/2-13 UNC		<b>17831</b>	\$566.00	<b>18004</b>	\$1,995.00	<b>18028</b>	\$2,573.00
150	2.00	1.81	3/8-16 UNC	7.00 (ref)	<b>30337</b>	\$566.00	<b>30357</b>	\$1,995.00	<b>30359</b>	\$2,573.00
			1/2-13 UNC		<b>30336</b>	\$566.00	<b>30358</b>	\$1,995.00	<b>30360</b>	\$2,573.00
200	2.00	1.81	3/8-16 UNC	7.00 (ref)	<b>30335</b>	\$566.00	<b>30361</b>	\$1,995.00	<b>30363</b>	\$2,573.00
			1/2-13 UNC		<b>30338</b>	\$566.00	<b>30362</b>	\$1,995.00	<b>30364</b>	\$2,573.00
250	2.00	1.81	3/8-16 UNC	7.00 (ref)	<b>17852</b>	\$566.00	<b>18005</b>	\$1,995.00	<b>18029</b>	\$2,573.00
			1/2-13 UNC		<b>17832</b>	\$566.00	<b>18006</b>	\$1,995.00	<b>18030</b>	\$2,573.00
500	2.68	2.68	1/2-13 UNC	9.50 (ref)	<b>17853</b>	\$619.00	<b>18007</b>	\$2,138.00	<b>18031</b>	\$2,762.00
			5/8-11 UNC		<b>17858</b>	\$619.00	<b>18008</b>	\$2,138.00	<b>18032</b>	\$2,762.00
			3/4-10 UNC		<b>17833</b>	\$619.00	<b>18009</b>	\$2,138.00	<b>18033</b>	\$2,762.00
			1/2-13 UNC		<b>17854</b>	\$619.00	<b>18010</b>	\$2,138.00	<b>18034</b>	\$2,762.00
750	2.68	2.68	5/8-11 UNC	9.50 (ref)	<b>17859</b>	\$619.00	<b>18011</b>	\$2,138.00	<b>18035</b>	\$2,762.00
			3/4-10 UNC		<b>17834</b>	\$619.00	<b>18012</b>	\$2,138.00	<b>18036</b>	\$2,762.00
			1/2-13 UNC		<b>17855</b>	\$619.00	<b>18013</b>	\$2,138.00	<b>18037</b>	\$2,762.00
1,000	2.68	2.68	5/8-11 UNC	9.50 (ref)	<b>17860</b>	\$619.00	<b>18014</b>	\$2,138.00	<b>18038</b>	\$2,762.00
			3/4-10 UNC		<b>17835</b>	\$619.00	<b>18015</b>	\$2,138.00	<b>18039</b>	\$2,762.00
			1/2-13 UNC		<b>17856</b>	\$619.00	<b>18016</b>	\$2,138.00	<b>18040</b>	\$2,762.00
1,500	2.68	2.68	5/8-11 UNC	9.50 (ref)	<b>17861</b>	\$609.00	<b>18017</b>	\$2,138.00	<b>18041</b>	\$2,762.00
			3/4-10 UNC		<b>17836</b>	\$609.00	<b>18018</b>	\$2,138.00	<b>18042</b>	\$2,762.00
			1/2-13 UNC		<b>17857</b>	\$609.00	<b>18019</b>	\$2,138.00	<b>18043</b>	\$2,762.00
2,000	2.68	2.68	5/8-11 UNC	9.50 (ref)	<b>17862</b>	\$619.00	<b>18020</b>	\$2,138.00	<b>18044</b>	\$2,762.00
			3/4-10 UNC		<b>17837</b>	\$619.00	<b>18021</b>	\$2,138.00	<b>18045</b>	\$2,762.00
2,500	2.68	2.68	5/8-11 UNC	9.50 (ref)	<b>17863</b>	\$619.00	<b>18022</b>	\$2,138.00	<b>18046</b>	\$2,762.00
			3/4-10 UNC		<b>17838</b>	\$619.00	<b>18023</b>	\$2,138.00	<b>18047</b>	\$2,762.00
3,000	3.37	3.37	3/4-10 UNC	10.50 (ref)	<b>30339</b>	\$646.00	<b>30365</b>	\$2,229.00	<b>30366</b>	\$2,873.00
5,000	3.37	3.37	3/4-10 UNC	12.25 (ref)	<b>17864</b>	\$842.00	<b>18024</b>	\$2,773.00	<b>18048</b>	\$3,657.00
			1-8 UNC		<b>17839</b>	\$842.00	<b>18025</b>	\$2,773.00	<b>18049</b>	\$3,657.00
10,000	3.37	3.37	1-8 UNC	12.25 (ref)	<b>17840</b>	\$842.00	<b>18026</b>	\$2,773.00	<b>18050</b>	\$3,657.00
15,000	4.00	4.12	1 1/4-7 UNC	18.00 (ref)	<b>17960</b>	\$1,756.00	<b>30353</b>	\$5,642.00	<b>30354</b>	\$7,406.00
20,000	5.00	4.12	1 1/2-6 UNC	20.00 (ref)	<b>17961</b>	\$2,064.00	<b>30355</b>	\$5,642.00	<b>30356</b>	\$8,630.00







Module with RL20000ST S-beam load cell

### Complete Kit Includes

- Three or four ITCM assemblies with RL20000ST NTEP Certified S-beam load cells
- One JB4SS NEMA Type 4X stainless steel signal trim junction box
- 25 ft of hostile environment EL147HE SURVIVOR® load cell cable

### Standard Features

- Capacities (per module): 100 to 5,000 lb
- Clevis mounts with nylon insulating washers
- PTFE lined rod-end ball joints
- Load cell is completely isolated from stray currents
- Grounding strap provides alternative path to ground
- Complete package for ease of installation
- Provides correct loading even in difficult installations
- Lower overall height compared to other isolated tension assemblies

### Applications

- Suspended hoppers and tanks
- Mechanical scale conversions
- Use as a single module or in multiples

Picture is a representation of actual product.

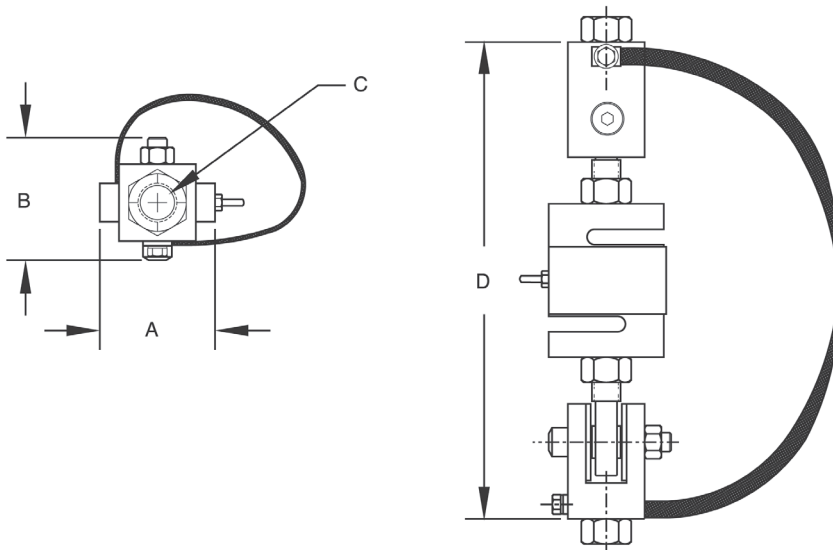
### Load Cell Approvals



### Load Rating Dimensions Per Module

Load Cell Capacity lb/in	A	B	C	D	Single Module		3-Module Kit		4-Module Kit	
						Price		Price		Price
100	2.00	1.81	3/8-16 UNC	7.00 (ref)	46765	\$892.00	46735	\$2,809.00	46751	\$3,598.00
			1/2-13 UNC		46766	\$892.00	46736	\$2,809.00	46752	\$3,598.00
250	2.00	1.81	3/8-16 UNC	7.00 (ref)	46767	\$892.00	46737	\$2,809.00	46753	\$3,598.00
			1/2-13 UNC		46768	\$892.00	46738	\$2,809.00	46754	\$3,598.00
500	2.68	2.68	1/2-13 UNC	9.50 (ref)	46769	\$892.00	46739	\$2,809.00	46755	\$3,598.00
			5/8-11 UNC		46770	\$892.00	46740	\$2,809.00	46756	\$3,598.00
750	2.68	2.68	1/2-13 UNC	9.50 (ref)	46771	\$892.00	46741	\$2,809.00	46757	\$3,598.00
			5/8-11 UNC		46772	\$892.00	46742	\$2,809.00	46758	\$3,598.00
1,000	2.68	2.68	1/2-13 UNC	9.50 (ref)	46773	\$892.00	46743	\$2,809.00	46759	\$3,598.00
			5/8-11 UNC		46774	\$892.00	46744	\$2,809.00	46760	\$3,598.00
2,500	2.68	2.68	5/8-11 UNC	9.50 (ref)	46775	\$892.00	46745	\$2,809.00	46761	\$3,598.00
			3/4-10 UNC		46776	\$892.00	46746	\$2,809.00	46762	\$3,598.00
3,000	3.37	3.37	3/4-10 UNC	10.75 (ref)	46777	\$962.00	46747	\$3,105.00	46763	\$3,890.00
			3/4-10 UNC		46778	\$1,651.00	46748	\$5,103.00	46764	\$6,608.00

WEIGH MODULES



# ITCM HE

Stainless Steel, Isolated Tension Cell Modules



Picture is a representation of actual product.



Module with  
RL20001HE S-beam load cell

## Complete Kit Includes

- Three or four ITCM assemblies with RL20001HE NTEP Certified S-beam load cells stainless steel, welded-seal
- One JB4SS NEMA Type 4X stainless steel signal trim junction box
- 25 ft of hostile environment EL147HE SURVIVOR® load cell cable

## Standard Features

- Capacities (per module): 500 to 5,000 lb
- Clevis mounts with nylon insulating washers
- PTFE lined rod-end ball joints
- Load cell is completely isolated from stray currents
- Grounding strap provides alternative path to ground
- Complete package for ease of installation
- Provides correct loading even in difficult installations
- Lower overall height compared to other isolated tension assemblies

## Applications

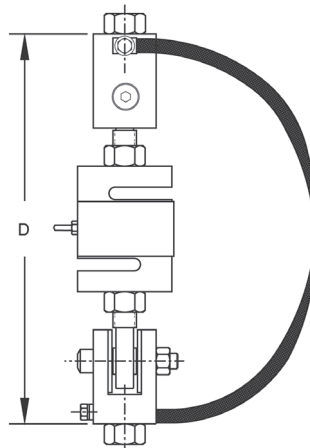
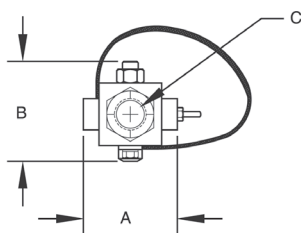
- Suspended hoppers and tanks
- Mechanical scale conversions
- Use as a single module or in multiples

## Load Cell Approvals



## Load Rating Dimensions Per Module

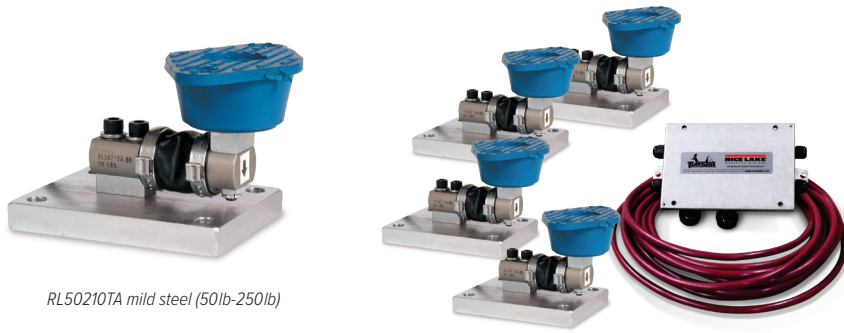
Load Cell Capacity	A	B	C	D	Single Module	Price	3-Module Kit	Price	4-Module Kit	Price
500	2.68	2.68	1/2-13 UNC 5/8-11 UNC 3/4-10 UNC	9.50 (ref)	46599 46600 46601	\$1,618.00 \$1,618.00 \$1,618.00	46561 46562 46563	\$4,702.00 \$4,702.00 \$4,702.00	46580 46581 46582	\$6,269.00 \$6,269.00 \$6,269.00
750	2.68	2.68	1/2-13 UNC 5/8-11 UNC 3/4-10 UNC	9.50 (ref)	46602 46603 46604	\$1,618.00 \$1,618.00 \$1,618.00	46564 46565 46566	\$4,702.00 \$4,702.00 \$4,702.00	46583 46584 46585	\$6,269.00 \$6,269.00 \$6,269.00
1,000	2.68	2.68	1/2-13 UNC 5/8-11 UNC 3/4-10 UNC	9.50 (ref)	46605 46606 46607	\$1,618.00 \$1,618.00 \$1,618.00	46567 46568 46569	\$4,702.00 \$4,702.00 \$4,702.00	46586 46587 46588	\$6,269.00 \$6,269.00 \$6,269.00
1,500	2.68	2.68	1/2-13 UNC 5/8-11 UNC 3/4-10 UNC	9.50 (ref)	46608 46609 46610	\$1,618.00 \$1,618.00 \$1,618.00	46570 46571 46572	\$4,702.00 \$4,702.00 \$4,702.00	46589 46590 46591	\$6,269.00 \$6,269.00 \$6,269.00
2,000	2.68	2.68	1/2-13 UNC 5/8-11 UNC 3/4-10 UNC	9.50 (ref)	46611 46612 46613	\$1,618.00 \$1,618.00 \$1,618.00	46573 46574 46575	\$4,702.00 \$4,702.00 \$4,702.00	46592 46593 46594	\$6,269.00 \$6,269.00 \$6,269.00
2,500	2.68	2.68	5/8-11 UNC 3/4-10 UNC	9.50 (ref)	46614 46615	\$1,618.00 \$1,618.00	46576 46577	\$4,702.00 \$4,702.00	46595 46596	\$6,269.00 \$6,269.00
3,000	3.37	3.37	3/4-10 UNC	10.00 (ref)	46616	\$1,618.00	46578	\$4,702.00	46597	\$6,269.00
5,000	3.37	3.37	3/4-10 UNC	12.62 (ref)	46617	\$2,399.00	46579	\$7,042.00	46598	\$9,338.00



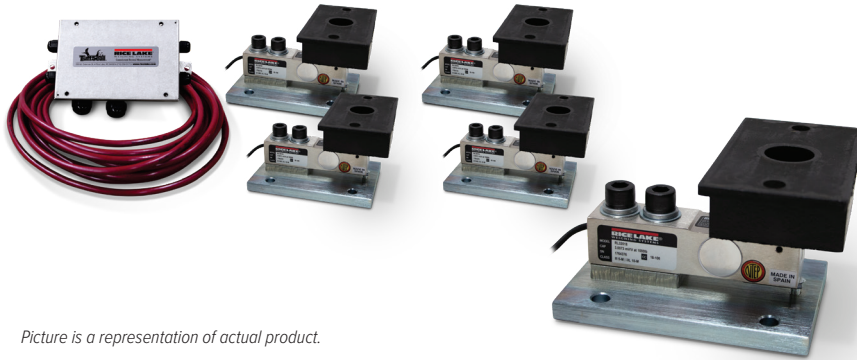
WEIGH MODULES

# RL50210TA

Mild Steel/Stainless Steel, Mini Tank Weighing Module



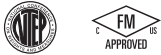
RL50210TA mild steel (50lb-250lb)



Picture is a representation of actual product.

NTEP Certified 1,000lb mild steel load cell shown.

## Load Cell Approvals



## Complete Kit Includes

- Three or four neoprene isolation/compression mounts with load cells
  - 50 to 250 lb mild steel: RL50210
  - 500 lb mild steel: RL30000 or equivalent
  - 1,000 to 2,500 lb mild steel: RL32018
  - 500 lb stainless steel: RL39123 or equivalent
  - 1,000 to 2,500 lb stainless steel: RL32018S
- One JB4SS NEMA Type 4X stainless steel signal trim junction box
- 25 ft of hostile environment EL147HE SURVIVOR® load cell cable

## Standard Features

- NTEP Certified load cells (1,000 lb, 2,000 lb and 2,500 lb only)
- Zinc plated mild steel or stainless steel assemblies
- Weighing ranges from 50 to 2,500 lb per module
- Neoprene isolation mounts allow for minor misalignment, thermal expansion and shock absorption
- Overload stop provides durability

## Applications

- Small tanks and hoppers
- Conveyor/In-motion weighing
- Small platform scales where minor shock loading may occur

## Optional Features

- Stainless steel modules available in 500 lb capacities with RL39123 stainless steel load cells

WEIGH MODULES

## Order Information

Load Rating (Per Module)	Part #	Price
<b>Non-NTEP Certified Mild Steel Single Module (Includes Load Cell)</b>		
50 lb	17844	\$470.00
100 lb	17845	\$470.00
150 lb	17846	\$470.00
250 lb	17847	\$470.00
500 lb	17848	\$625.00
<b>NTEP Certified Mild Steel Single Module (Includes Load Cell)</b>		
1,000 lb	17849	\$625.00
2,000 lb	17948	\$625.00
2,500 lb	17949	\$625.00
<b>Non-NTEP Certified Mild Steel 3-Module Kit</b>		
50 lb	18051	\$1,645.00
100 lb	18052	\$1,645.00
150 lb	18053	\$1,645.00
250 lb	18054	\$1,645.00
500 lb	18055	\$2,135.00
<b>NTEP Certified Mild Steel 3-Module Kit</b>		
1,000 lb	18056	\$2,135.00
2,000 lb	30398	\$2,135.00
2,500 lb	30396	\$2,135.00
<b>Non-NTEP Certified Mild Steel 4-Module Kit</b>		
50 lb	18057	\$2,115.00
100 lb	18058	\$2,115.00
150 lb	18059	\$2,115.00
250 lb	18060	\$2,115.00
500 lb	18061	\$2,700.00

# RL50210TA

Mild Steel/Stainless Steel, Mini Tank Weighing Module

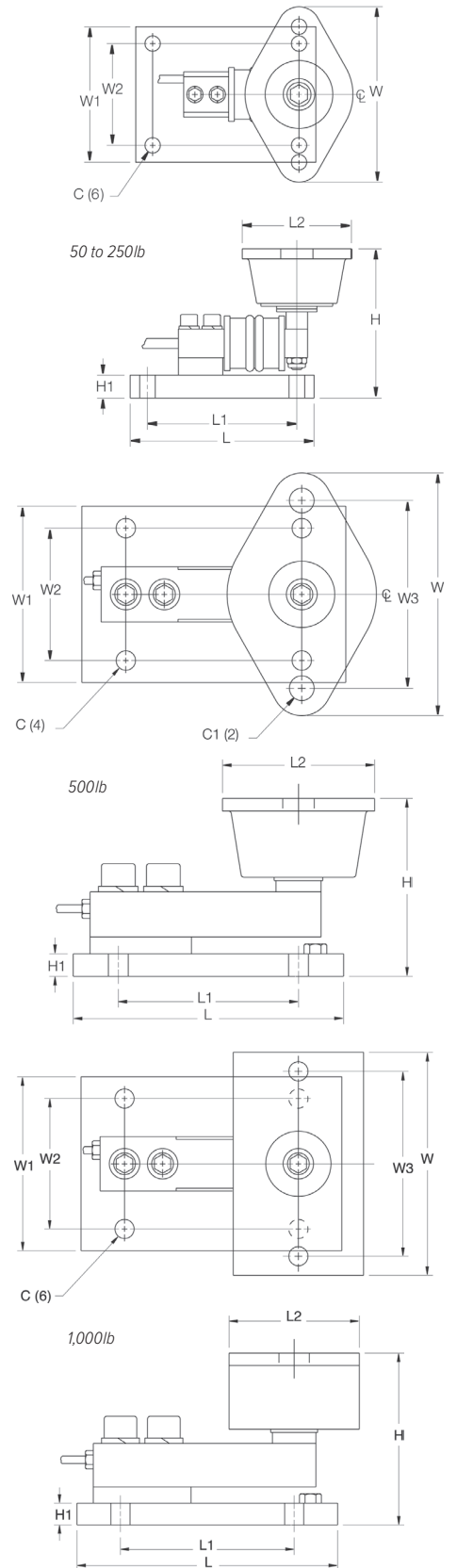
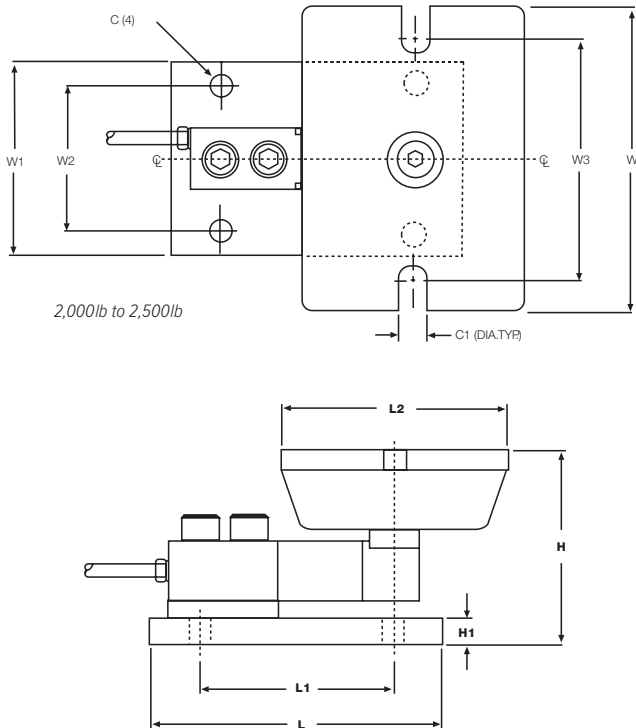
## Order Information

Load Rating (Per Module)	Part #	Price
<b>NTEP Certified Mild Steel 4- Module Kit</b>		
1,000 lb	<b>18062</b>	\$2,700.00
2,000 lb	<b>30397</b>	\$2,700.00
2,500 lb	<b>30395</b>	\$2,700.00
<b>Stainless Steel Single Module (Includes Load Cell)</b>		
500 lb	<b>17954</b>	\$735.00
1,000 lb	<b>17955</b>	\$695.00
2,000 lb	<b>17956</b>	\$695.00
2,500 lb	<b>17957</b>	\$695.00
<b>Stainless Steel 3-Module Kit</b>		
500 lb	<b>30394</b>	\$2,435.00
1,000 lb	<b>30404</b>	\$2,435.00
2,000 lb	<b>30402</b>	\$2,435.00
2,500 lb	<b>30400</b>	\$2,435.00
<b>Stainless Steel 4-Module Kit</b>		
500 lb	<b>30393</b>	\$3,190.00
1,000 lb	<b>30403</b>	\$3,190.00
2,000 lb	<b>30401</b>	\$3,190.00
2,500 lb	<b>30399</b>	\$3,190.00

## Dimensions

Rated Capacity	C	C1	H	H1	L	L1	L2	W	W1	W2	W3
50 to 250	0.34	-	3.13	0.50	4.00	3.25	2.38	3.88	3.00	2.25	-
500	0.44	0.56	3.88	0.50	6.00	4.00	3.38	5.50	4.00	3.00	4.13
1,000	0.44	-	4.00	0.50	6.00	4.00	3.00	5.13	4.00	3.00	4.13
2,000 to 2,500	0.44	0.56	4.00	0.50	6.00	4.00	4.62	6.25	4.00	3.00	5.00

WEIGH MODULES



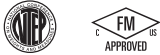


NTEP Certified 1,000lb load cell shown.

65059 mild steel (50lb to 250lb)

Picture is a representation of actual product.

### Load Cell Approvals



### Order Information

Load Rating (Per Module)	Part #	Price
<b>Mild Steel Single Module (Includes Load Cell)</b>		
50 lb	17825	\$470.00
100 lb	17826	\$470.00
150 lb	17827	\$470.00
250 lb	17828	\$470.00
500 lb	17829	\$625.00
1,000 lb	17830	\$625.00
2,000 lb	17946	\$625.00
2,500 lb	17947	\$625.00
<b>Mild Steel 3-Module Kit</b>		
50 lb	18063	\$1,645.00
100 lb	18064	\$1,645.00
150 lb	18065	\$1,645.00
250 lb	18066	\$1,645.00
500 lb	18067	\$2,135.00
1,000 lb	18068	\$2,135.00
2,000 lb	30413	\$2,088.00
2,500 lb	30412	\$2,135.00
<b>Mild Steel 4-Module Kit</b>		
50 lb	18069	\$2,115.00
100 lb	18070	\$2,115.00
150 lb	18071	\$2,115.00
250 lb	18072	\$2,115.00
500 lb	18073	\$2,700.00
1,000 lb	18074	\$2,645.00
2,000 lb	30414	\$2,700.00
2,500 lb	30411	\$2,700.00

### Complete Kit Includes

- Three or four neoprene isolation/compression mounts with NTEP Certified load cells
  - 50 to 250 lb mild steel: 60040
  - 500 lb mild steel: 65023-500-0107
  - 1,000 to 2,500 lb mild steel: 65023A1K-5107
  - 500 lb stainless steel: 65023-500-0113
  - 1,000 to 2,500 lb stainless steel: 65023S1K-5113
- One JB4SS NEMA Type 4X stainless steel signal trim junction box
- 25 ft of hostile environment EL147HE SURVIVOR® load cell cable

### Standard Features

- Zinc plated, mild steel modules
- Lower weighing ranges from 50 to 500 lb per module
- Environmentally protected load cells
- Neoprene isolation/compression mounts allow for minor misalignment, thermal expansion and shock absorption
- Overload stop for 500 lb modules provides durability

### Applications

- Small tanks and hoppers
- Conveyor/In-motion weighing
- Small platform scales where minor shock loading may occur

WEIGH MODULES

# 65059

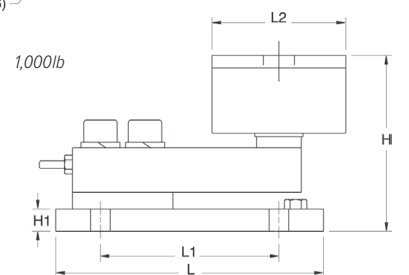
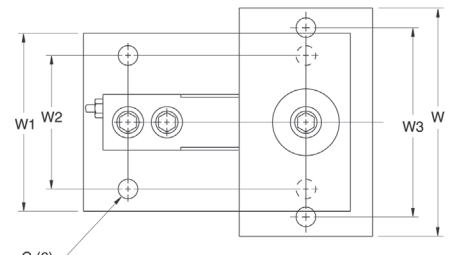
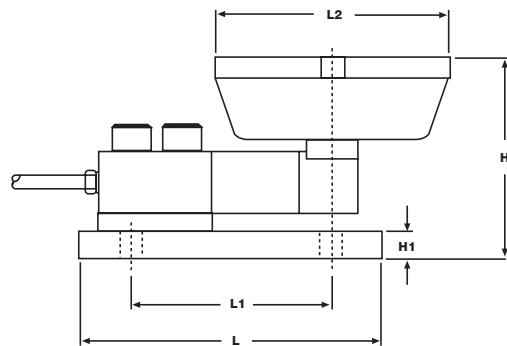
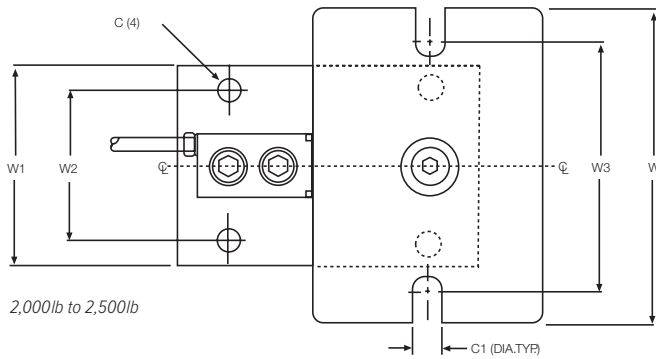
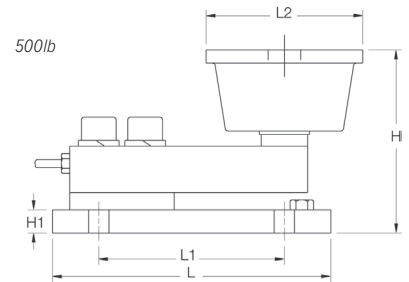
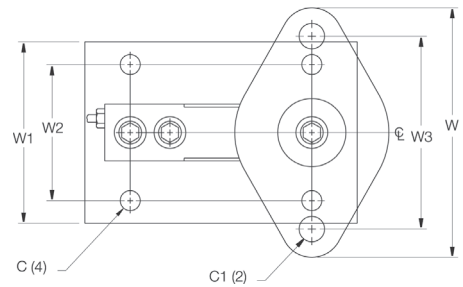
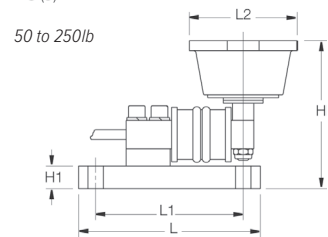
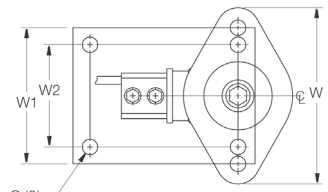
Mild Steel/Stainless Steel, Mini Tank Weighing Module, VPG® Scentroidronics®

## Order Information

Load Rating (Per Module)	Part #	Price
<b>Stainless Steel Single Module (Includes Load Cell)</b>		
500 lb	17950	\$735.00
1,000 lb	17951	\$735.00
2,000 lb	17952	\$735.00
2,500 lb	17953	\$735.00
<b>Stainless Steel 3-Module Kit</b>		
500 lb	30392	\$2,435.00
1,000 lb	30410	\$2,435.00
2,000 lb	30408	\$2,435.00
2,500 lb	30406	\$2,435.00
<b>Stainless Steel 4-Module Kit</b>		
500 lb	30391	\$3,190.00
1,000 lb	30409	\$3,190.00
2,000 lb	30407	\$3,190.00
2,500 lb	30405	\$3,190.00

## Dimensions

Rated Capacity	C	C1	H	H1	L	L1	L2	W	W1	W2	W3
lb/in											
50 to 250	0.34	-	3.13	0.50	4.00	3.25	2.38	3.88	3.00	2.25	-
500	0.44	0.56	3.88	0.50	6.00	4.00	3.38	5.50	4.00	3.00	4.13
1,000	0.44	-	4.00	0.50	6.00	4.00	3.00	5.13	4.00	3.00	4.13
2,000 to 2,500	0.44	0.56	4.00	0.50	6.00	4.00	4.62	6.25	4.00	3.00	5.00



WEIGH MODULES

# RL50219SS-TA

Stainless Steel, Mini Tank Weighing Module



RL50219SS-TA (50lb-250lb)

Picture is a representation of actual product.

## Complete Kit Includes

- Three or four neoprene isolation/compression mounts with load cells
  - 50 to 250 lb model: RL50219SS
  - 500 lb model: stainless steel single-ended beam
- One JB4SS NEMA Type 4X stainless steel signal trim junction box
- 25 ft of hostile environment EL147HE SURVIVOR® load cell cable

## Standard Features

- Stainless steel modules
- Lower weighing ranges from 50 to 500 lb per module
- Environmentally protected load cells
- Neoprene isolation/compression mounts allow for minor misalignment, thermal expansion and shock absorption
- Overload stop for 500 lb modules provides durability

## Applications

- Small tanks and hoppers
- Conveyor/In-motion weighing
- Small platform scales where minor shock loading may occur

## Order Information

Load Rating (Per Module)	Part #	Price
<b>Single Module (Includes Load Cell)</b>		
50 lb	196829	\$710.00
75 lb	196830	\$710.00
100 lb	196831	\$710.00
150 lb	196832	\$710.00
250 lb	196833	\$710.00
500 lb	17954	\$735.00
<b>3-Module Kit</b>		
50 lb	196840	\$2,410.00
75 lb	196841	\$2,410.00
100 lb	196842	\$2,410.00
150 lb	196843	\$2,410.00
250 lb	196844	\$2,410.00
500 lb	30394	\$2,435.00
<b>4-Module Kit</b>		
50 lb	196845	\$3,115.00
75 lb	197015	\$3,115.00
100 lb	196846	\$3,115.00
150 lb	196848	\$3,115.00
250 lb	196849	\$3,115.00
500 lb	30393	\$3,190.00

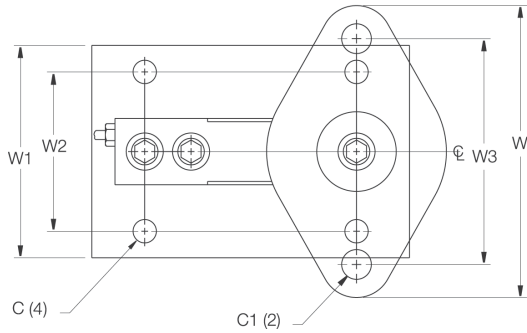
WEIGH MODULES

# RL50219SS-TA

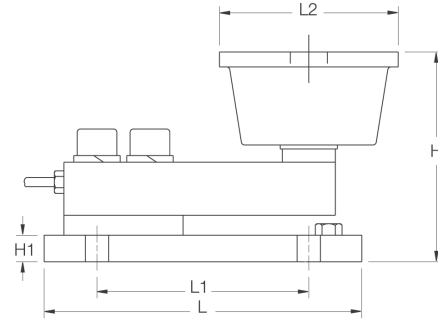
Stainless Steel, Mini Tank Weighing Module

## Dimensions

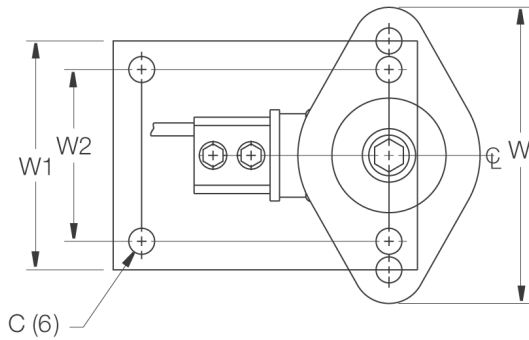
Rated Capacity	C	C1	H	H1	L	L1	L2	W	W1	W2	W3
<b>lb/in</b>											
50 to 250	0.34	-	3.13	0.50	4.00	3.25	2.38	3.88	3.00	2.25	-
500	0.44	0.56	3.88	0.50	6.00	4.00	3.38	5.50	4.00	3.00	4.13



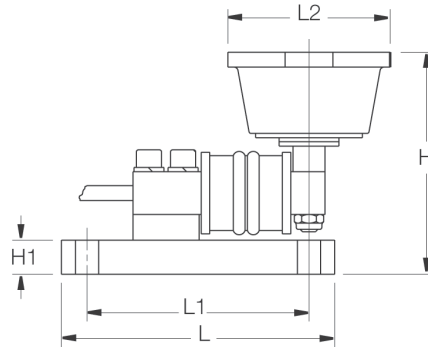
500lb



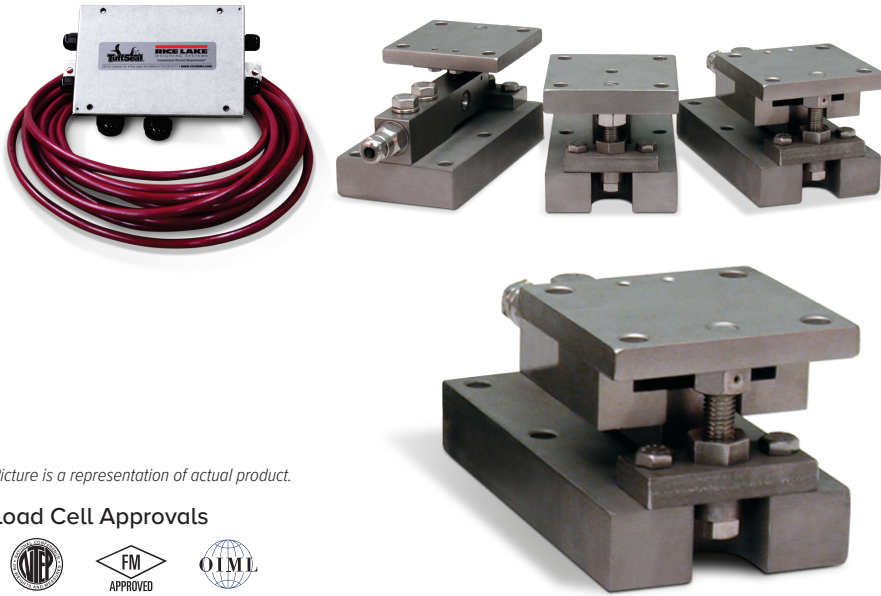
WEIGH MODULES



50 to 250lb







Picture is a representation of actual product.

### Load Cell Approvals



### Order Information

Load Rating (Per Module)	Part #	Price
<b>NTEP Certified 3-Module Kits</b>		
5 kN	<b>33683</b>	\$2,665.00
10 kN	<b>33682</b>	\$2,665.00
20 kN	<b>33681</b>	\$2,665.00
50 kN	<b>33680</b>	\$3,055.00
<b>NTEP Certified 4-Module Kits</b>		
5 kN	<b>33678</b>	\$3,553.00
10 kN	<b>33677</b>	\$3,553.00
20 kN	<b>33676</b>	\$3,553.00
50 kN	<b>33675</b>	\$4,372.00
<b>Non-NTEP Certified 3-Module Kit</b>		
100 kN	<b>33679</b>	\$4,832.00
<b>Non-NTEP Certified 4-Module Kit</b>		
100 kN	<b>33674</b>	\$4,832.00

NOTE: 1 kN=224.8 lb

### Complete Kit Includes

- One fixed-pin module, one side-stop module, and one or two free-sliding assemblies. Each module is complete with a NTEP Certified Flintec® SB5 stainless steel environmentally protected load cell.
- One JB4SS NEMA Type 4X stainless steel signal trim junction box
- 25 ft of hostile environment EL147HE SURVIVOR® load cell cable

### Standard Features

- Capacities (per module): 5 to 20 kN
- NTEP Certified 1:5000 d, Class II load cells
- Unique design allows for thermal expansion/contraction
- Jacking screw allows empty vessel to be lifted clear of load cell for maintenance
- Unique blind load hole eliminates unwanted side and eccentric loads
- Vessel is free to slide laterally on PTFE coated surfaces
- mV/V/ohm load cell outputs allow for replacement without further calibration

### Applications

- Light- to medium-capacity tanks and hoppers
- Process measurement and control

# Paramounts® EP

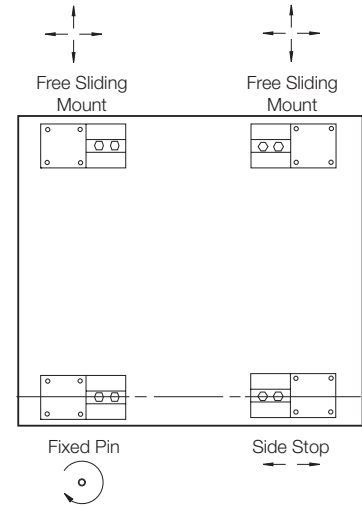
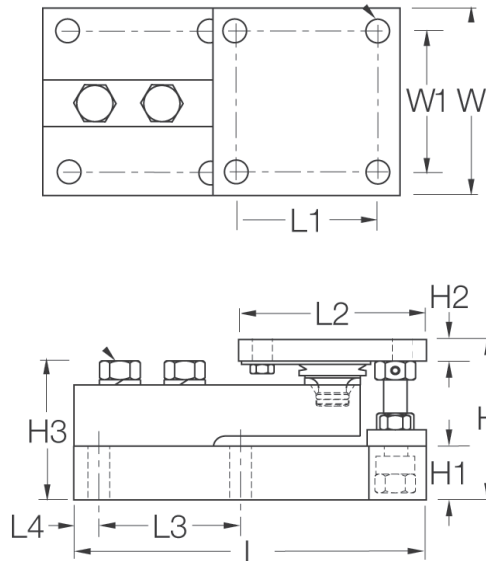
Zinc Plated, Environmentally Protected, Tank Weighing Systems

## Dimensions

Rated Capacity	C	H	H1	*H2	**H2	H3	L	L1	L2	L3	L4	W	W1
kN/in													
5 to 20	0.44	3.58	1.25	0.50	0.75	3.06	7.51	3.00	4.00	3.00	0.50	4.00	3.00
50	0.56	4.66	1.50	0.62	1.00	4.09	9.19	3.87	5.00	3.87	0.56	5.00	3.87
100	0.69	6.41	2.00	0.75	1.25	5.73	11.46	4.75	6.00	4.75	0.69	6.00	4.75

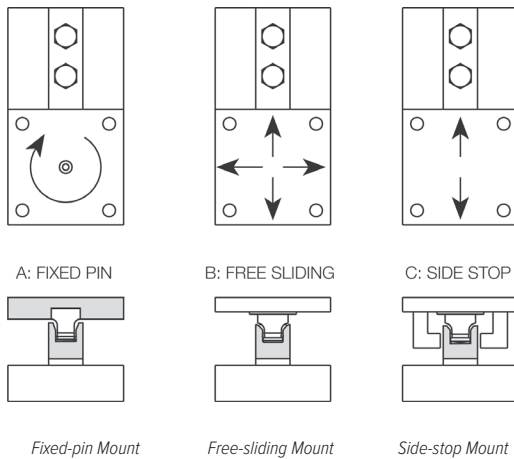
\* Side-stop and free-sliding units    \*\* Fixed-pin units

C (8PLS)



### VESSEL ARRANGEMENT

When arranged as illustrated, the vessel is fixed at one corner but is able to slide freely as indicated. This ensures there is minimal side loading on the cells and at the same time the vessel is self-checking. The unique, patented blind load hole technology used in these mounts introduces the load at the neutral axis of the load cell which helps minimize the effects of side loads.

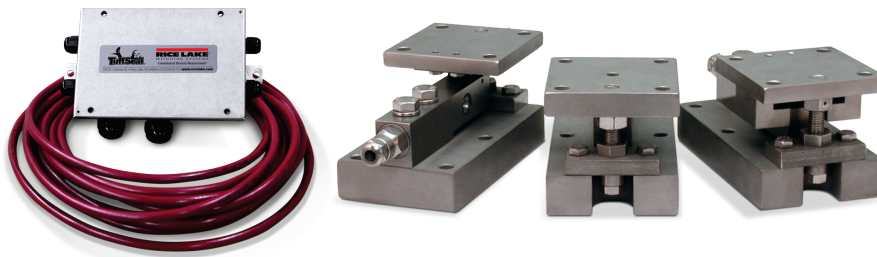


Fixed-pin Mount

Free-sliding Mount

Side-stop Mount

WEIGH MODULES

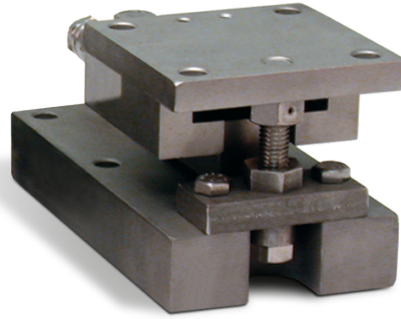


Picture is a representation of actual product.

### Load Cell Approvals



Available



### Complete Kit Includes

- One fixed-pin module, one side-stop module, and one or two free-sliding assemblies. Each module is complete with a Flintec® SB4 NTEP Certified, stainless steel, hermetically sealed load cell.
- One JB4SS NEMA Type 4X stainless steel signal trim junction box
- 25 ft of hostile environment EL147HE SURVIVOR® load cell cable

### Standard Features

- Capacities (per module): 5 to 100 kN
- Unique design allows for thermal expansion/contraction
- Jacking screw allows empty vessel to be lifted clear of load cell for maintenance
- Unique blind load hole eliminates unwanted side and eccentric loads
- Vessel is free to slide laterally on PTFE coated surfaces
- Load cell outputs are matched to  $\pm 0.07\%$  allowing replacement without further calibration

### Applications

- Light- to medium-capacity tanks and hoppers
- Mixers and blenders
- Process measurement and control

WEIGH MODULES

### Order Information

Load Rating (Per Module)	Part #	Price
<b>NTEP Certified 3-Module Kit</b>		
5 kN	29871	\$3,370.00
10 kN	29872	\$3,370.00
23 kN	29873	\$3,370.00
50 kN	29874	\$4,000.00
<b>NTEP Certified 4-Module Kit</b>		
5 kN	29875	\$4,535.00
10 kN	29876	\$4,535.00
23 kN	29877	\$4,535.00
50 kN	29878	\$5,135.00
<b>Non-NTEP Certified 3-Module Kit</b>		
5 kN	17977	\$3,265.00
10 kN	17978	\$3,265.00
23 kN	17979	\$3,265.00
50 kN	17980	\$3,962.00
100 kN	17981	\$5,090.00

Load Rating (Per Module)	Part #	Price
<b>Non-NTEP Certified 4-Module Kit</b>		
5 kN	17984	\$4,282.00
10 kN	17985	\$4,282.00
23 kN	17986	\$4,282.00
50 kN	17987	\$4,875.00
100 kN	17988	\$6,160.00
<b>Conduit Adapter Kit (must be factory installed to maintain warranty)</b>		
1/2-14 NPT	17703	\$50.00

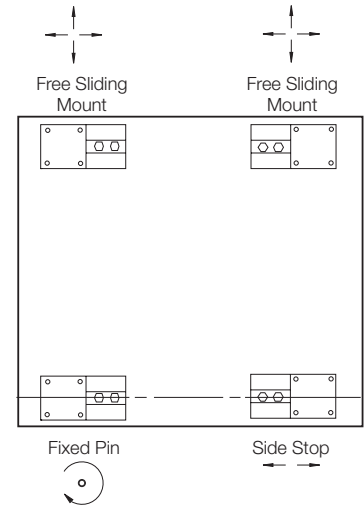
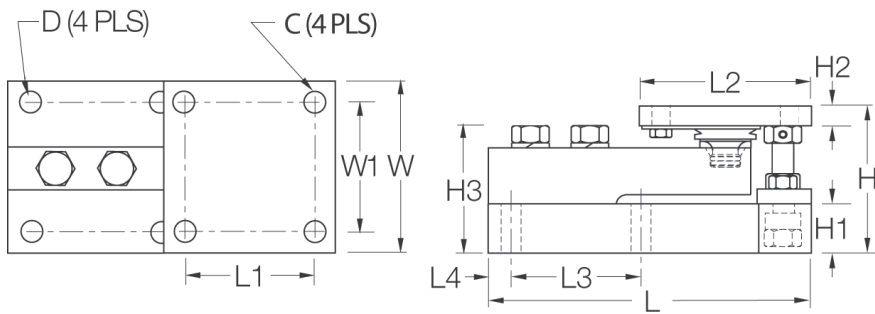
# Paramounts® HS

Zinc Plated, Hermetically Sealed, Tank Weighing Systems

## Dimensions

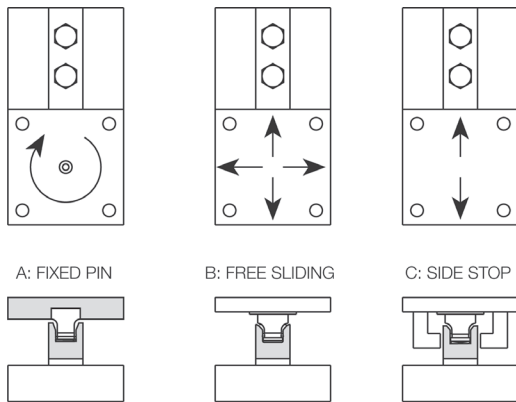
Rated Capacity	C	D	H	H1	*H2	**H2	H3	L	L1	L2	L3	L4	W	W1
5 kN to 23 kN	0.44	0.44	3.58	1.25	0.50	0.75	3.06	7.51	3.00	4.00	3.00	0.50	4.00	3.00
50 kN	0.56	0.56	4.66	1.50	0.62	1.00	4.09	9.19	3.87	5.00	3.87	0.56	5.00	3.87
100 kN	0.69	0.69	6.41	2.00	0.75	1.25	5.73	11.46	4.75	6.00	4.75	0.69	6.00	4.75

\* Side-stop and free-sliding units    \*\* Fixed-pin units



### VESSEL ARRANGEMENT

When arranged as illustrated, the vessel is fixed at one corner but is able to slide freely as indicated. This ensures there is minimal side loading on the cells and at the same time the vessel is self-checking. The unique, patented blind load hole technology used in these mounts introduces the load at the neutral axis of the load cell which helps minimize the effects of side loads.

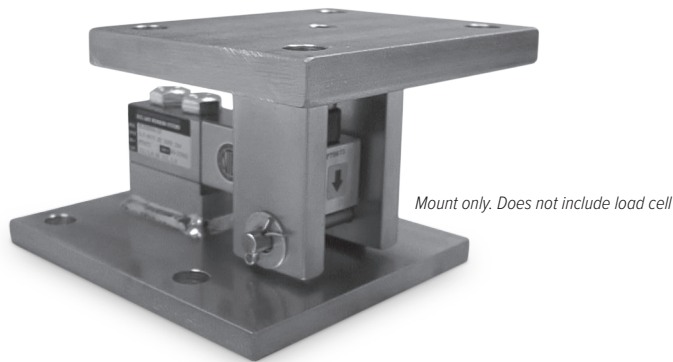


Fixed-pin Mount

Free-sliding Mount

Side-stop Mount

WEIGH MODULES



Picture is a representation of actual product.

## Standard Features

- Capacities (per module): 250 to 5,000 lb SE
- Zinc plated, mild steel construction or stainless steel construction
- Self-checking, multi-directional movement
- Design incorporates a ball and cup for self-centering
- Will accommodate a standard shear beam 250 to 5,000 lb SE load cell that has a threaded load hole such as the RL30000, RL39123, RL32018, RL32018S, RL32218S-HE

## Applications

- Light- to medium-capacity tanks and hoppers
- Conveyors

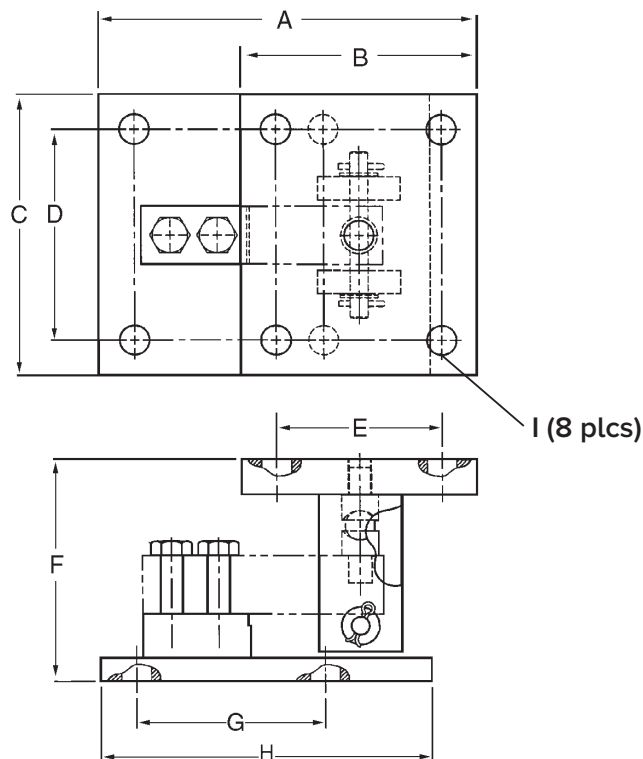
## Order Information

Load Rating (Per Module)	Part #	Price
<b>Single Module Mild Steel</b>		
250 to 5,000 lb SE	<b>53059</b>	\$430.00
<b>Single Module Stainless Steel</b>		
250 to 5,000 lb SE	<b>53066</b>	\$655.00

## Dimensions

Rated Capacity	A	B	C	D	E	F	G	H	I
lb/in									
250 to 5,000 SE	8.00	5.00	6.00	4.50	3.50	4.75	4.00	7.00	0.63

SE refers to small envelope



WEIGH MODULES

# RL1800 Series

Mild Steel/Stainless Steel, Weigh Modules

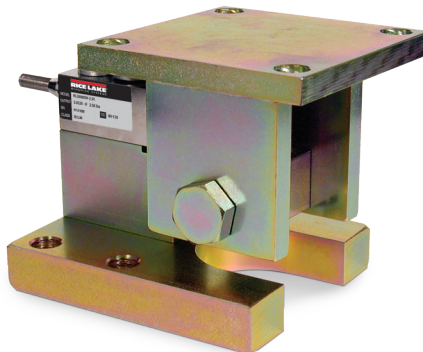


Picture is a representation of actual product.

## Load Cell Approvals



Except 250lb



## Complete Kit Includes

- Three or four RL1800 mild steel or stainless steel compression mounts with NTEP Certified RL32018 single-ended beam load cells, RL32018S used in stainless steel
- One JB4SS NEMA Type 4X stainless steel signal trim junction box
- 25 ft of hostile environment EL147HE SURVIVOR® load cell cable

## Standard Features

- Capacities (per module): 250 to 10,000 lb
- NTEP Certified cells in 500 to 10,000 lb capacities, except 3,000 lb
- Zinc plated mild steel/stainless steel construction
- Center-pivoted, tension loading design
- Self-checking, multi-directional movement
- Load is suspended on high-strength bolt instead of wire rope
- Design incorporates spherical washers for self centering

## Applications

- Conveyors
- Medium-capacity tanks and hoppers
- Mixers and blenders
- Process measurement and control

WEIGH MODULES

## Mild Steel Order Information

Load Rating (Per Module)	Part #	Price
<b>Single Module (Does NOT Include Load Cell)</b>		
250 to 5,000 lb SE	<b>17817</b>	\$399.00
5,000 LE to 10,000 lb	<b>17819</b>	\$428.00
<b>3-Module Kit</b>		
250 lb*	<b>18075</b>	\$2,350.00
500 lb	<b>18076</b>	\$2,350.00
1,000 lb	<b>18077</b>	\$2,350.00
2,000 lb	<b>18078</b>	\$2,350.00
2,500 lb	<b>18079</b>	\$2,350.00
3,000 lb	<b>18080</b>	\$2,350.00
4,000 lb	<b>18081</b>	\$2,350.00
5,000 lb SE	<b>18082</b>	\$2,350.00
5,000 lb LE	<b>18083</b>	\$2,700.00
10,000 lb	<b>18084</b>	\$2,700.00
<b>4-Module Kit</b>		
250 lb*	<b>18085</b>	\$3,050.00
500 lb	<b>18086</b>	\$3,050.00
1,000 lb	<b>18087</b>	\$3,050.00
2,000 lb	<b>18088</b>	\$3,050.00
2,500 lb	<b>18089</b>	\$3,050.00
3,000 lb	<b>18090</b>	\$3,050.00
4,000 lb	<b>18091</b>	\$3,050.00
5,000 lb SE	<b>18092</b>	\$3,050.00
5,000 lb LE	<b>18093</b>	\$3,500.00
10,000 lb	<b>18094</b>	\$3,500.00

SE=Small envelope; LE=Large envelope

\* Non-NTEP

## Stainless Steel Order Information

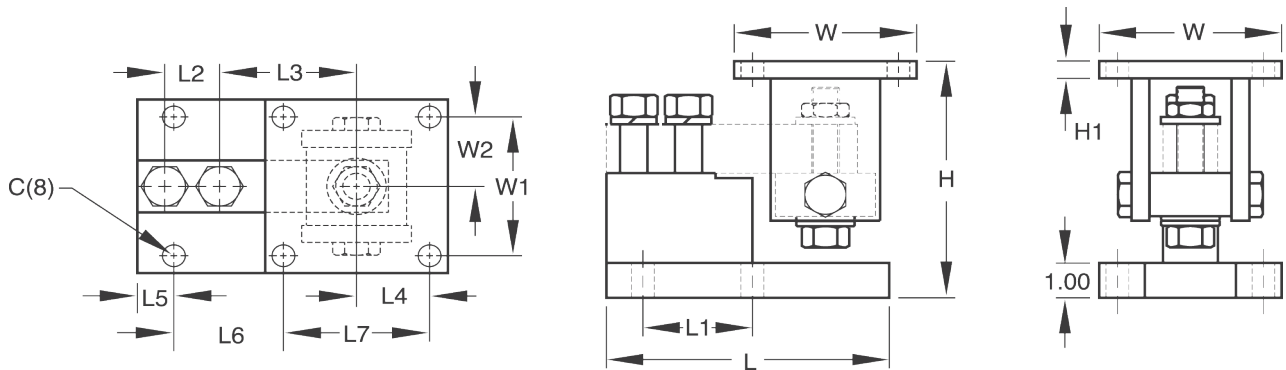
Load Rating (Per Module)	Part #	Price
<b>Single Module (Does NOT Include Load Cell)</b>		
250 to 4,000 lb	<b>17818</b>	\$640.00
5,000 to 10,000 lb	<b>17820</b>	\$675.00
<b>3-Module Kit</b>		
1,000 lb	<b>18095</b>	\$3,190.00
2,000 lb	<b>18096</b>	\$3,190.00
2,500 lb	<b>18097</b>	\$3,190.00
4,000 lb	<b>18099</b>	\$3,190.00
5,000 lb LE	<b>18100</b>	\$3,445.00
10,000 lb	<b>18101</b>	\$3,445.00
<b>4-Module Kit</b>		
1,000 lb	<b>18102</b>	\$4,250.00
2,000 lb	<b>18103</b>	\$4,250.00
2,500 lb	<b>18104</b>	\$4,250.00
4,000 lb	<b>18106</b>	\$4,250.00
5,000 lb LE	<b>18107</b>	\$4,595.00
10,000 lb	<b>18108</b>	\$4,595.00
<b>Dummy Cell</b>		
Dummy load cell 1 k to 5 k SE	<b>22980</b>	\$53.00

# RL1800 Series

Mild Steel/Stainless Steel, Weigh Modules

## Dimensions

Rated Capacity	C	H Min/Max	H1	L	L1	L2	L3	L4	L5	L6	L7	W	W1	W2
<b>Mild Steel Construction</b>														
lb/in														
250 to 5,000 SE	0.62	5.25/5.56	0.50	6.00	2.00	1.00	3.00	2.00	0.68	1.94	4.00	5.00	4.00	2.00
5,000 LE to 10,000	0.62	6.12/6.62	0.50	7.75	3.00	1.50	3.75	2.00	1.03	2.97	4.00	5.00	4.00	2.00
<b>Stainless Steel Construction</b>														
lb/in														
1,000 to 4,000	0.62	5.25/5.56	0.50	6.00	2.00	1.00	3.00	2.00	0.68	1.94	4.00	5.00	4.00	2.00
5,000 to 10,000	0.62	6.12/6.62	0.50	7.75	3.00	1.50	3.75	2.00	1.03	2.97	4.00	5.00	4.00	2.00



WEIGH MODULES

# RL1800 Series with MLC Coated Load Cell

Stainless Steel, Weigh Modules



Picture is a representation of actual product.

## Load Cell Approvals



## Complete Kit Includes

- Three or four RL1800 stainless steel compression mounts with MLC coated RL32018 NTEP Certified single-ended beam load cells
- One JB4SS NEMA Type 4X stainless steel signal trim junction box
- 25 ft of hostile environment EL147HE SURVIVOR® load cell cable

## Standard Features

- Capacities (per module): 1,000 to 10,000 lb
- NTEP Certified cells in 1,000 to 10,000 lb capacities
- Stainless steel mounts
- Center-pivoted, tension loading design
- Self-checking, multi-directional movement
- Load is suspended on high-strength bolt instead of wire rope
- Design incorporates spherical washers for self centering
- Coated load cells for corrosion protection

## Applications

- Conveyors
- Medium-capacity tanks and hoppers

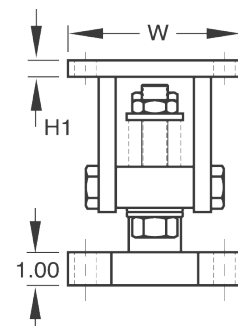
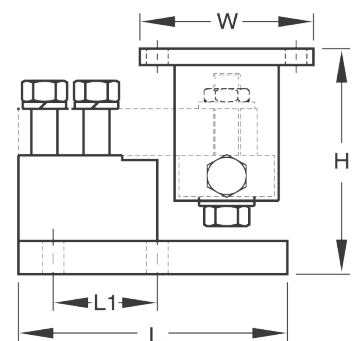
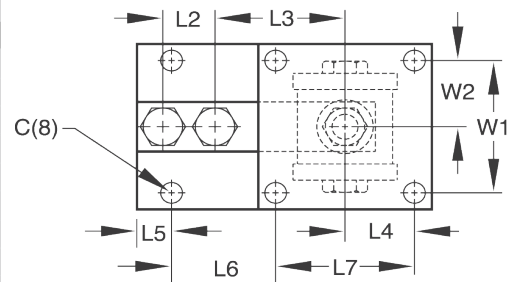
## Stainless Steel Order Information

Load Rating (Per Module)	Part #	Price
<b>Single Module (Does NOT Include Load Cell)</b>		
1,000 to 4,000 lb	17818	\$640.00
5,000 to 10,000 lb	17820	\$675.00
<b>3-Module Kit</b>		
1,000 lb	219894	\$3,150.00
1,500 lb	219896	\$3,150.00
2,000 lb	219898	\$3,150.00
2,500 lb	219900	\$3,150.00
3,000 lb	219902	\$3,150.00
4,000 lb	219904	\$3,150.00
5,000 SE lb	219906	\$3,150.00
5,000 LE lb	219908	\$3,540.00
10,000 lb	219910	\$3,540.00
<b>4-Module Kit</b>		
1,000 lb	219895	\$4,140.00
1,500 lb	219897	\$4,140.00
2,000 lb	219899	\$4,140.00
2,500 lb	219901	\$4,140.00
3,000 lb	219903	\$4,140.00
4,000 lb	219905	\$4,140.00
5,000 SE lb	219907	\$4,140.00
5,000 LE lb	219909	\$4,650.00
10,000 lb	219911	\$4,650.00

SE=Small envelope; LE=Large envelope

## Dimensions

Rated Capacity	C	H Min/Max	H1	L	L1	L2	L3	L4	L5	L6	L7	W	W1	W2
<b>lb/in</b>														
1,000 to 5,000 SE	0.62	5.25/5.56	0.50	6.00	2.00	1.00	3.00	2.00	0.68	1.94	4.00	5.00	4.00	2.00
5,000 LE to 10,000	0.62	6.12/6.62	0.50	7.75	3.00	1.50	3.75	2.00	1.03	2.97	4.00	5.00	4.00	2.00



WEIGH MODULES



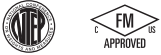
# RL1900 Series

## Stainless Steel, Weigh Modules



Picture is a representation of actual product.

### Load Cell Approvals

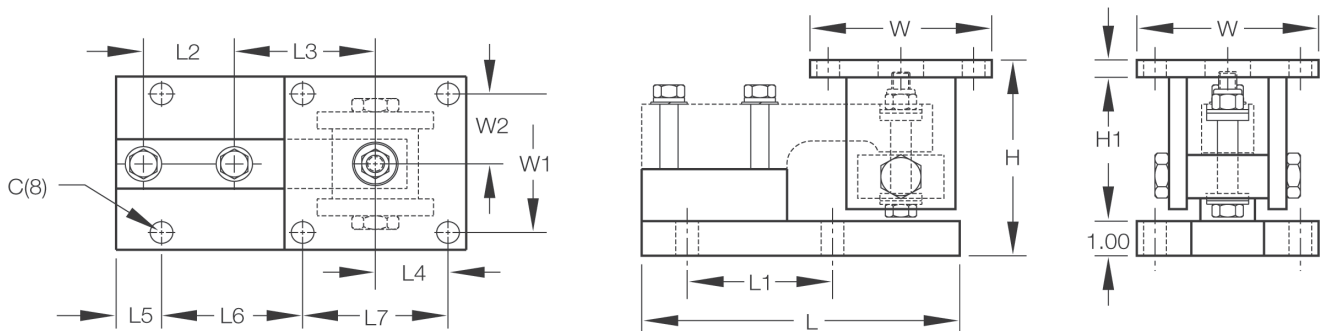


### Order Information

Load Rating (Per Module)	Part #	Price
<b>Single Module (Does NOT Include Load Cell)</b>		
1,000 to 5,000 lb	17841	\$700.00
10,000 lb	17843	\$760.00
<b>3-Module Kit</b>		
1,000 lb	18109	\$4,285.00
2,000 lb	18110	\$4,285.00
5,000 lb	18111	\$4,285.00
10,000 lb	18112	\$4,770.00
<b>4-Module Kit</b>		
1,000 lb	18113	\$5,710.00
2,000 lb	18114	\$5,710.00
5,000 lb	18115	\$5,710.00
10,000 lb	18116	\$5,710.00

### Dimensions

Rated Capacity C	H Min/Max	H1	L	L1	L2	L3	L4	L5	L6	L7	W	W1	W2	
lb/in														
1,000 to 5,000	0.62	5.38/5.62	0.50	8.75	4.00	2.50	3.88	2.00	1.12	4.00	4.00	5.00	4.00	2.00
10,000	0.81	6.88/7.50	1.00	9.75	5.00	2.63	4.88	2.25	1.00	5.00	4.50	6.00	4.50	2.25



### Complete Kit Includes

- Three or four RL1900 stainless steel compression mounts with RLSSB NTEP Certified welded stainless steel single-ended beam load cells
- One JB4SS NEMA Type 4X stainless steel signal trim junction box
- 25 ft of hostile environment EL147HE SURVIVOR® load cell cable

### Standard Features

- Capacities (per module): 1,000 to 10,000 lb
- NTEP Certified load cells, 1:5000d, Class III single cell
- Stainless steel construction
- Center-pivoted, tension loading design
- Welded-seal stainless steel load cells, IP67
- Self-checking, multi-directional movement
- Easy load cell replacement
- Load is suspended on high-strength bolt instead of wire rope
- Design incorporates spherical washers
- Compatible with VPG® Reverse SSB load cells

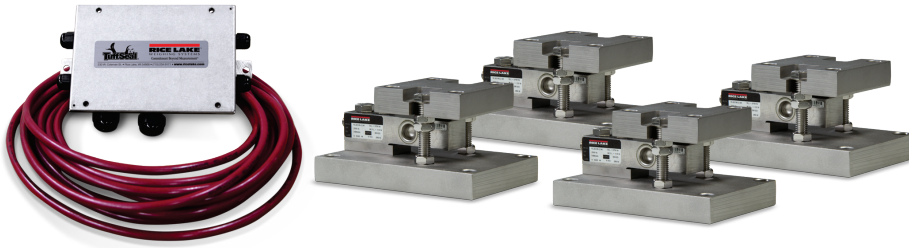
### Applications

- Medium-capacity tanks, bins and hoppers
- Washdown or corrosive applications

WEIGH MODULES

# RLTM

## Stainless Steel, Tank Weigh Modules



Picture is a representation of actual product.

### Load Cell Approvals



### Order Information

Load Rating (Per Module)	Part #	Price
<b>Single Module (Includes Load Cell)</b>		
500 lb	159288	\$1,085.00
1,250 lb	159289	\$1,085.00
2,500 lb	159290	\$1,085.00
5,000 lb	159291	\$1,310.00
10,000 lb	159292	\$1,310.00
<b>3-Module Kit</b>		
500 lb	162942	\$3,375.00
1,250 lb	162944	\$3,375.00
2,500 lb	162945	\$3,375.00
5,000 lb	162946	\$4,180.00
10,000 lb	162947	\$4,180.00
<b>4-Module Kit</b>		
500 lb	162948	\$4,465.00
1250 lb	162949	\$4,465.00
2500 lb	162950	\$4,465.00
5000 lb	162951	\$5,375.00
10,000 lb	162953	\$5,375.00

### Complete Kit Includes

- Three or four Rice Lake RLTM stainless steel mounting assemblies with RL32018S-T NTEP Certified, welded-seal stainless steel load cells
- One JB4SS NEMA Type 4X stainless steel signal trim junction box
- 25 ft of hostile environment EL147HE SURVIVOR® load cell cable

### Standard Features

- Capacities (per module) 500 to 10,000 lb
- NTEP Certified load cells, 1:5,000 d, Class III multiple cell
- Stainless steel construction
- Overload and uplift protection
- Rocker pin loading
- Integral lateral stops

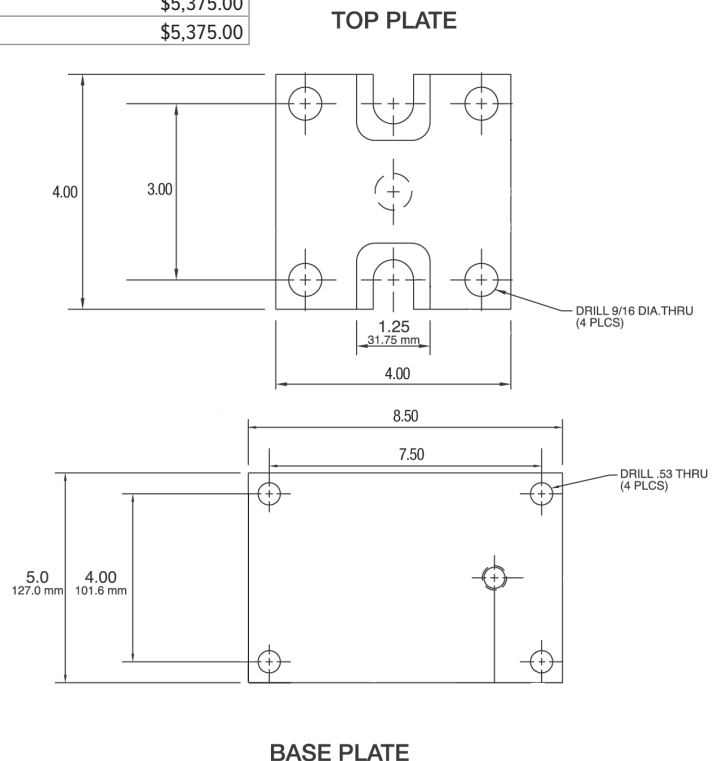
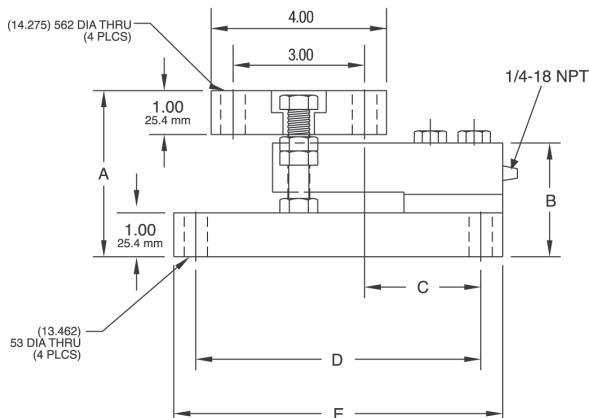
### Applications

- Lower capacity tank and vessel weighing
- Process control and batching

WEIGH MODULES

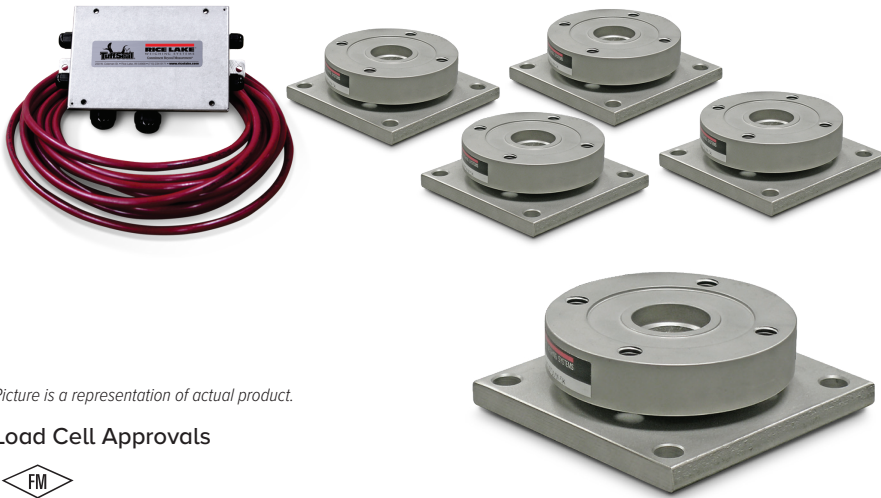
### Dimensions

Rated Capacity	A	B	C	D	E
500 to 2,500	3.77	2.59	2.62	6.50	7.50
5,000	3.99	2.83	2.62	6.50	7.50
10,000	4.27	3.08	3.88	7.50	8.50



# RL9000TWM Series

Stainless Steel, Weighing Assembly



Picture is a representation of actual product.

## Load Cell Approvals



## Complete Kit Includes

- Three or four stainless steel mounting assemblies with RL9000TWM compression disk load cells
- One JB4SS NEMA Type 4X stainless steel signal trim junction box
- 25 ft of hostile environment EL147HE SURVIVOR® load cell cable

## Standard Features

- Capacities (per module): 1,000 to 450,000 lb
- Stainless steel construction
- Very low profile design
- Self-centering
- Self-checking assembly
- Offers 100% sideload, 100% uplift and 150% static safe load and 300% ultimate static overload protection
- Weighs accurately with up to 3° non-parallel load

## Applications

- Tank, hopper or vessel weighing

## Optional Features

- Stainless steel top plates (150,000 to 450,000 lb have mild steel painted base plate)

## Specifications

### Full Scale Output:

3.0 ( $\pm 0.1\%$ ) mV/V

### Bridge Resistance:

350 ohm

### Material/Finish:

Stainless steel

### Temperature:

Operating:  
0 °F to 150 °F (-17 °C to 65 °C)

### Seal Type:

Welded-seal, IP67

### Safe Overload:

150% full scale

### Rated Excitation:

5 to 10 VDC

### Nonlinearity:

1 to 100 K: 0.05% FS  
150 to 450 K: 0.1% FS

### Insulation Resistance:

5,000 megohm

### Non-repeatability:

1 to 100 K: 0.02% full scale  
150 to 450 K: 0.03% full scale

### Cable Length:

25 ft

### Deflection at Capacity:

1 to 15 K: 0.002 in  
20 to 50 K: 0.004 in  
60 to 100 K: 0.007 in  
150 to 200 K: 0.007 in  
250 to 450 K: 0.009 in

### Cable Color Code:

Green +Excitation  
Black -Excitation  
White +Signal  
Red -Signal

### Warranty:

Two-year limited

# RL9000TWM Series

Stainless Steel, Weighing Assembly

## Order Information

Load Rating (Per Module)	Part #	Price
<b>Single Module</b>		
1,000 lb	<b>84353</b>	\$710.00
2,500 lb	<b>84354</b>	\$710.00
5,000 lb	<b>84355</b>	\$710.00
10,000 lb	<b>84356</b>	\$710.00
15,000 lb	<b>84357</b>	\$710.00
20,000 lb	<b>84358</b>	\$1,350.00
25,000 lb	<b>84359</b>	\$1,350.00
35,000 lb	<b>84360</b>	\$1,350.00
50,000 lb	<b>84361</b>	\$1,350.00
60,000 lb	<b>84362</b>	\$2,255.00
75,000 lb	<b>84363</b>	\$2,255.00
100,000 lb	<b>84364</b>	\$2,255.00
150,000 lb	<b>84365</b>	\$4,600.00
200,000 lb	<b>84366</b>	\$4,600.00
250,000 lb	<b>84368</b>	\$6,750.00
300,000 lb	<b>84369</b>	\$6,750.00
400,000 lb	<b>84370</b>	\$6,750.00
450,000 lb	<b>84371</b>	\$6,750.00
<b>3-Module Kit</b>		
1,000 lb	<b>98974</b>	\$2,355.00
2,500 lb	<b>98980</b>	\$2,355.00
5,000 lb	<b>98981</b>	\$2,355.00
10,000 lb	<b>98982</b>	\$2,355.00
15,000 lb	<b>98983</b>	\$2,355.00
20,000 lb	<b>98984</b>	\$4,275.00
25,000 lb	<b>98985</b>	\$4,275.00
35,000 lb	<b>98986</b>	\$4,275.00
50,000 lb	<b>98987</b>	\$4,275.00
60,000 lb	<b>98988</b>	\$6,930.00
75,000 lb	<b>98989</b>	\$6,930.00
100,000 lb	<b>98990</b>	\$6,930.00
150,000 lb	<b>98991</b>	\$13,935.00
200,000 lb	<b>98992</b>	\$13,935.00
250,000 lb	<b>98993</b>	\$20,415.00
300,000 lb	<b>98994</b>	\$20,415.00
400,000 lb	<b>98995</b>	\$20,415.00
450,000 lb	<b>98996</b>	\$20,415.00
<b>4-Module Kit</b>		
1,000 lb	<b>98997</b>	\$2,970.00
2,500 lb	<b>98998</b>	\$2,970.00
5,000 lb	<b>98999</b>	\$2,970.00
10,000 lb	<b>99000</b>	\$2,970.00
15,000 lb	<b>99001</b>	\$2,970.00
20,000 lb	<b>99002</b>	\$5,530.00
25,000 lb	<b>99003</b>	\$5,530.00
35,000 lb	<b>99004</b>	\$5,530.00
50,000 lb	<b>99005</b>	\$5,530.00
60,000 lb	<b>99006</b>	\$9,110.00
75,000 lb	<b>99007</b>	\$9,110.00
100,000 lb	<b>99008</b>	\$9,110.00
150,000 lb	<b>99009</b>	\$18,435.00
200,000 lb	<b>99010</b>	\$18,435.00
250,000 lb	<b>99011</b>	\$27,050.00
300,000 lb	<b>99012</b>	\$27,050.00
400,000 lb	<b>99013</b>	\$27,050.00
450,000 lb	<b>99014</b>	\$27,050.00

Load Rating (Per Module)	Part #	Price
<b>Top Plates (Stainless Steel) with bolts</b>		
1,000 to 15,000 lb	<b>91207</b>	\$125.00
20,000 to 50,000 lb	<b>91210</b>	\$285.00
60,000 to 100,000 lb	<b>91211</b>	\$465.00
150,000 to 200,000 lb	<b>91213</b>	\$740.00
250,000 to 450,000 lb	<b>91215</b>	\$1,710.00
<b>Top Plates (Mild Steel) with bolts</b>		
1,000 to 15,000 lb	<b>124758</b>	\$60.00
20,000 to 50,000 lb	<b>125141</b>	\$115.00
60,000 to 100,000 lb	<b>124759</b>	\$165.00
150,000 to 200,000 lb	<b>124760</b>	\$262.00
250,000 to 450,000 lb	<b>124761</b>	\$388.00
<b>Dummy Weigh Modules (non-functioning)</b>		
1,000 to 10,000 lb	<b>158749</b>	\$100.00
15,000 lb	<b>158750</b>	\$130.00
20,000 to 50,000 lb	<b>158752</b>	\$145.00
60,000 to 100,000 lb	<b>158753</b>	\$160.00
150,000 to 200,000 lb	<b>158754</b>	\$410.00
250,000 to 450,000 lb	<b>158755</b>	\$435.00

150,000 to 450,000 lb have mild steel painted base plates

## Order Information

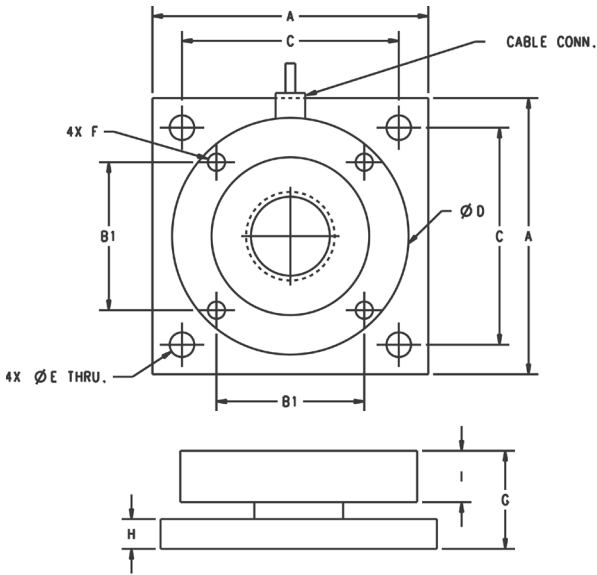
Capacity	Thickness	Material	Part #	Price
<b>Shims</b>				
1,000 to 15,000 lb	0.0625	SST	<b>167001</b>	\$6.00
1,000 to 15,000 lb	0.125	SST	<b>167002</b>	\$8.00
1,000 to 15,000 lb	0.250	SST	<b>167003</b>	\$11.00
1,000 to 15,000 lb	0.0625	MS	<b>167004</b>	\$2.50
1,000 to 15,000 lb	0.125	MS	<b>167005</b>	\$2.75
1,000 to 15,000 lb	0.250	MS	<b>167006</b>	\$3.25
20,000 to 50,000 lb	0.0625	SST	<b>167008</b>	\$15.00
20,000 to 50,000 lb	0.125	SST	<b>167009</b>	\$22.00
20,000 to 50,000 lb	0.250	SST	<b>167010</b>	\$34.00
20,000 to 50,000 lb	0.0625	MS	<b>167011</b>	\$9.00
20,000 to 50,000 lb	0.125	MS	<b>167012</b>	\$9.00
20,000 to 50,000 lb	0.250	MS	<b>167013</b>	\$10.00
60,000 to 100,000 lb	0.0625	SST	<b>167014</b>	\$24.00
60,000 to 100,000 lb	0.125	SST	<b>167015</b>	\$34.00
60,000 to 100,000 lb	0.250	SST	<b>167016</b>	\$53.00
150,000 to 200,000 lb	0.0625	SST	<b>167020</b>	\$32.00
150,000 to 200,000 lb	0.125	SST	<b>167021</b>	\$40.00
150,000 to 200,000 lb	0.250	SST	<b>167022</b>	\$65.00
250,000 to 450,000 lb	0.0625	SST	<b>167026</b>	\$40.00
250,000 to 450,000 lb	0.125	SST	<b>167027</b>	\$58.00
250,000 to 450,000 lb	0.250	SST	<b>167028</b>	\$75.00

Shims match dimensions of base plate and optional top plate

WEIGH MODULES

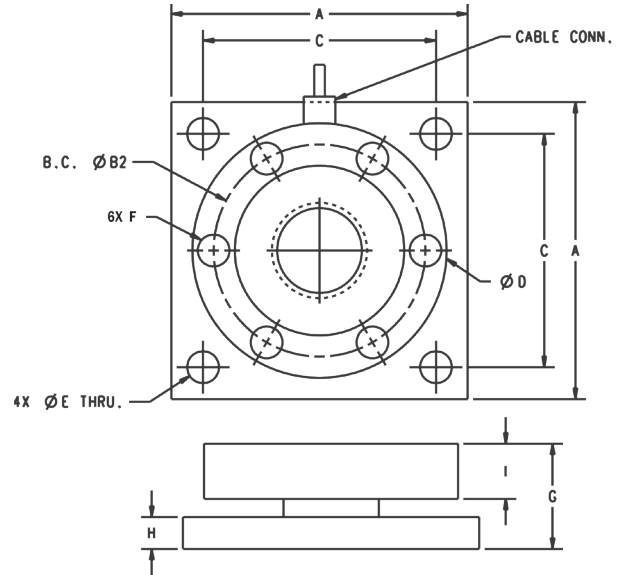
# RL9000TWM Series

Stainless Steel, Weighing Assembly



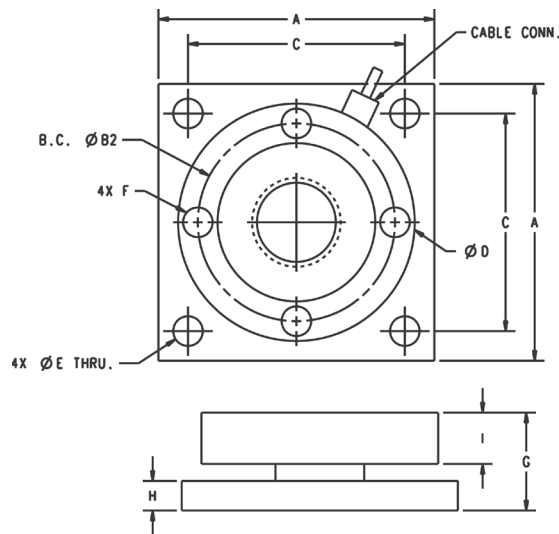
## Dimensions

Rated Capacity	A	B1	C	D	E	F	G	H	I	Conduit Adapter
1,000 to 10,000	4.00	2.00	3.25	3.50	0.40	3/8-16 UNC	1.35	0.375	0.75	-
15,000	4.00	2.00	3.25	3.50	0.40	3/8-16 UNC	1.60	0.625	0.75	-
20,000 to 50,000	7.00	3.75	5.50	6.00	0.63	1/2-13 UNC	2.48	0.75	1.30	1/2-14 NPT
60,000 to 100,000	8.00	4.25	6.50	7.00	0.81	3/4-16 UNC	2.50	1.00	1.30	1/2-14 NPT



## Dimensions

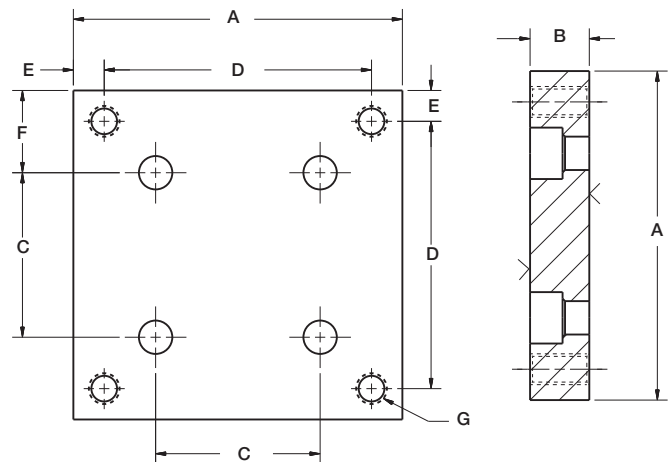
Rated Capacity	A	B2	C	D	E	F	G	H	I	Conduit Adapter
250,000 to 450,000	11.00	7.75	9.00	9.00	1.30	7/8-14 UNF	6.42	3.00	2.25	1/2-14 NPT



## Dimensions

Rated Capacity	A	B2	C	D	E	F	G	H	I	Conduit Adapter
150,000 to 200,000	10.0	7.825	8.00	9.00	1.10	1-14 UNF	4.75	2.00	1.70	1/2-14 NPT

## Optional Top Plates



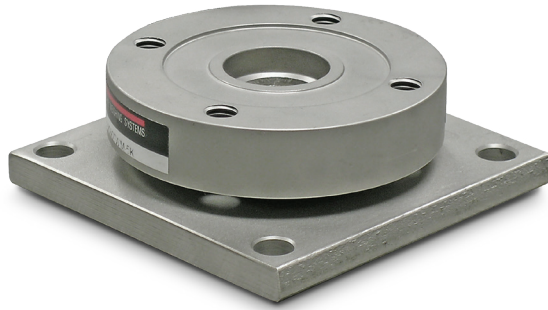
## Dimensions

Rated Capacity	A	B	C	D	E	F	G
1,000 to 15,000	4.00	0.72	2.00	3.25	0.38	1.00	3/8-16 UNC
20,000 to 50,000	7.00	0.97	3.75	5.50	0.75	1.62	5/8-11 UNC
60,000 to 100,000	8.00	1.46	4.25	6.50	0.75	1.88	3/4-16 UNF
150,000 to 200,000	10.00	1.94	5.53	8.00	1.00	2.25	1-14 UNS
250,000 to 450,000	11.00	2.94	7.75 B.C.	9.00	1.00	1.00	1-1/4-12 UNF

WEIGH MODULES

# RL9000TWM-HT

Stainless Steel, High Temperature, Weigh Module



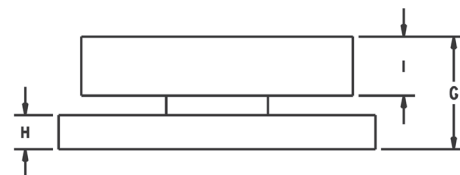
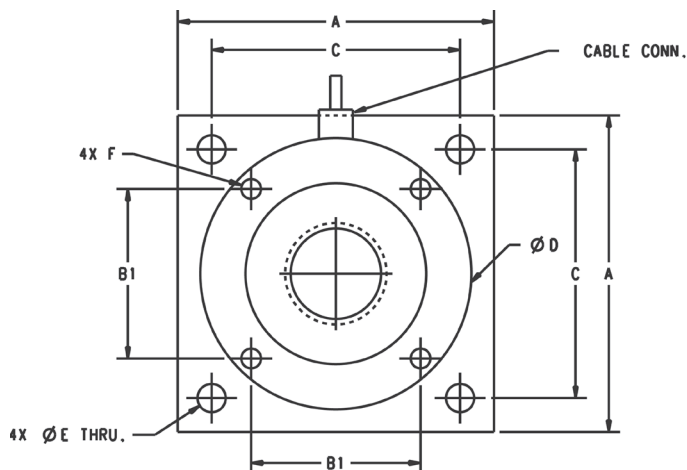
Picture is a representation of actual product.

## Order Information

Load Rating (per module)	Part #	Price
<b>Single Module</b>		
1,000 lb	117050	\$1,285.00
2,500 lb	117051	\$1,285.00
5,000 lb	117052	\$1,285.00
10,000 lb	117140	\$1,285.00
15,000 lb	117053	\$1,285.00
20,000 lb	117054	\$2,045.00
25,000 lb	117055	\$2,045.00
35,000 lb	117056	\$2,045.00
50,000 lb	117057	\$2,045.00
<b>Top Plates (Stainless Steel) with bolts</b>		
1,000 to 15,000 lb	91207	\$125.00
20,000 to 50,000 lb	91210	\$285.00
<b>Top Plates (Mild Steel) with bolts</b>		
1,000 to 15,000 lb	124758	\$60.00
20,000 to 50,000 lb	125141	\$115.00

## Dimensions

Rated Capacity	A	B1	C	D	E	F	G	H	I	Conduit Adapter
lb/in										
1,000 to 10,000	4.00	2.00	3.25	3.50	0.40	3/8-16 UNC	1.35	0.375	0.75	-
15,000	4.00	2.00	3.25	3.50	0.40	3/8-16 UNC	1.60	0.625	0.75	-
20,000 to 50,000	7.00	3.75	5.50	6.00	0.63	1/2-13 UNC	2.48	0.750	1.30	1/2-14NPT



## Standard Features

- Capacities: 1,000 to 50,000 lb
- Stainless steel construction
- Very low profile design
- Self-centering
- Self-checking assembly
- Offers 100% side load, 100% uplift, 150% safe load and 300% ultimate overload protection
- Weighs accurately with up to 3° non-parallel load

## Applications

- Tank, hopper, or vessel weighing
- High temperature applications

## Optional Features

- Stainless steel top plates
- Higher capacities available upon request

## Specifications

### Full Scale Output:

3.0 (± 0.1%) mV/V

### Bridge Resistance:

700 ohm

### Material/Finish:

Stainless steel

### Temperature:

Operating:

0 °F to 400 °F (-17 °C to 204 °C)

### Seal Type:

Welded seal, IP67

### Safe Overload:

150% full scale

### Nonlinearity:

0.01% full scale

### Insulation Resistance:

5,000 megohm

### Non-repeatability:

0.02% full scale

### Deflection at Capacity:

1 to 15 K: 0.002 in

20 to 50 K: 0.004 in

### Cable Length:

25 ft PTFE jacket

### Cable Color Code:

Green +Excitation

Black -Excitation

White +Signal

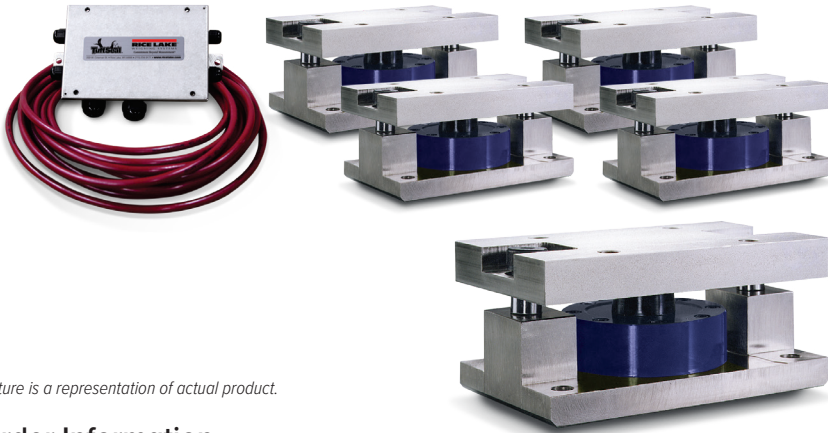
Red -Signal

### Warranty:

Two-year limited

# RL2200 Series

Mild Steel, Weighing Assembly



Picture is a representation of actual product.

## Complete Kit Includes

- Three or four RL2200 high-alloy, zinc-plated steel mounting assemblies with RL2200 compression disk load cells.
- One JB4SS NEMA Type 4X stainless steel signal trim junction box
- 25 ft of hostile environment EL147HE SURVIVOR® load cell cable

## Standard Features

- Capacities (per module): 2,500 to 50,000 lb
- Low-profile design
- Self-centering in all directions, able to withstand excessive side loads
- Self-checking assembly

## Applications

- Tank, hopper or vessel weighing
- Belt or roller conveyors
- Scale platforms and screw feeders

## Specifications

### Full Scale Output:

4.0 mV/V  
2.0 mV/V (2,500 lb)

### Bridge Resistance:

350 ohm nominal

### Material/Finish:

High-alloy steel, painted

### Temperature:

Compensated:  
15 °F to 115 °F (-9 °C to 46 °C)

### Seal Type:

Environmentally sealed

### Safe Overload:

150% full scale

### Rated Excitation:

5 to 10 VDC (20 V maximum)

### Nonlinearity:

0.05% full scale

### Hysteresis:

0.03% full scale

### Insulation Resistance:

5,000 megohm

### Cable Length:

30 ft

### Cable Color Code:

Red +Excitation  
Black -Excitation  
White +Signal  
Green -Signal

### Warranty:

Two-year limited

WEIGH MODULES

## Order Information

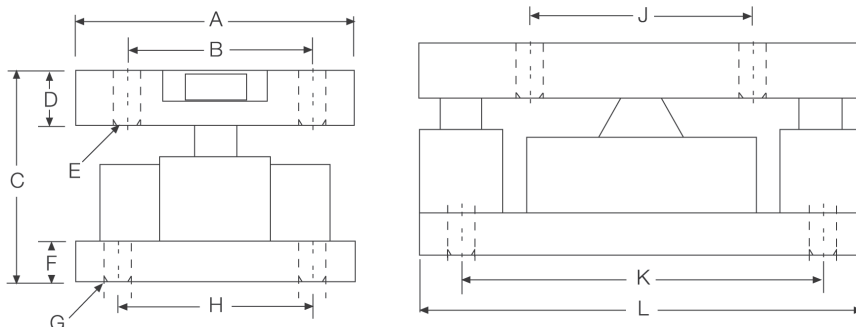
Load Rating (Per Module)	Part #	Price
<b>Single Module</b>		
2,500 lb	76656	\$1,965.00
5,000 lb	45849	\$1,965.00
10,000 lb	45848	\$1,965.00
25,000 lb	45847	\$2,650.00
50,000 lb	45846	\$2,650.00
<b>3-Module Kit</b>		
2,500 lb	76897	\$5,875.00
5,000 lb	42811	\$5,875.00
10,000 lb	42812	\$5,875.00
25,000 lb	42813	\$7,580.00
50,000 lb	42814	\$7,580.00
<b>4-Module Kit</b>		
2,500 lb	76898	\$7,770.00
5,000 lb	42815	\$7,770.00
10,000 lb	42816	\$7,770.00
25,000 lb	42817	\$8,995.00
50,000 lb	42818	\$8,995.00

## Replacement Load Cell Order Information

Load Rating (Per Module)	Part #	Price
2,500 lb	76654	\$1,325.00
5,000 lb	45708	\$1,325.00
10,000 lb	45709	\$1,325.00
25,000 lb	45710	\$1,669.00
50,000 lb	45711	\$1,669.00

## Dimensions

Rated Capacity	A	B	C	D	E	F	G	H	J	K	L
lb/in											
2,500 to 10,000	5.00	3.50	4.00	1.00	0.52	1.00	0.52	3.50	4.00	6.50	8.00
25,000 to 50,000	6.00	4.50	5.00	1.25	0.78	1.00	0.78	4.50	5.00	7.75	10.00



# RL2200SS Series

Stainless Steel, Weighing Assembly



Picture is a representation of actual product.

## Order Information

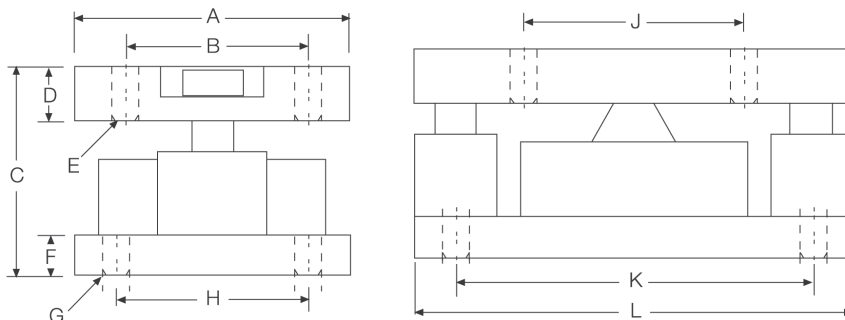
Load Rating (Per Module)	Part #	Price
<b>Single Module</b>		
2,500 lb	76657	\$2,765.00
5,000 lb	45845	\$2,765.00
10,000 lb	45844	\$2,765.00
25,000 lb	45843	\$4,680.00
50,000 lb	45842	\$4,680.00
<b>3-Module Kit</b>		
2,500 lb	76899	\$7,865.00
5,000 lb	46478	\$7,865.00
10,000 lb	46479	\$7,865.00
25,000 lb	46480	\$13,710.00
50,000 lb	46481	\$13,710.00
<b>4-Module Kit</b>		
2,500 lb	76900	\$10,400.00
5,000 lb	46482	\$10,400.00
10,000 lb	46483	\$10,400.00
25,000 lb	46484	\$17,890.00
50,000 lb	46485	\$17,890.00

## Replacement Load Cell Order Information

Load Rating (Per Module)	Part #	Price
2,500 lb	76655	\$1,563.00
5,000 lb	45712	\$1,563.00
10,000 lb	45713	\$1,563.00
25,000 lb	45714	\$2,565.00
50,000 lb	45715	\$2,565.00

## Dimensions

Rated Capacity	A	B	C	D	E	F	G	H	J	K	L
lb/in											
2,500 to 10,000	5.00	3.50	4.00	1.00	0.52	1.00	0.52	3.50	4.00	6.50	8.00
25,000 to 50,000	6.00	4.50	5.00	1.25	0.78	1.00	0.78	4.50	5.00	7.75	10.00



## Complete Kit Includes

- Three or four RL2200 stainless steel mounting assemblies with RL2200SS stainless steel, hermetically sealed, compression disk load cells
- One JB4SS NEMA Type 4X stainless steel signal trim junction box
- 25 ft of hostile environment EL147HE SURVIVOR® load cell cable

## Applications

- Tank, hopper or vessel weighing
- Belt or roller conveyors
- Scale platforms and screw feeders

## Specifications

### Full Scale Output:

4.0 mV/V  
2.0 mV/V (2,500 lb)

### Bridge Resistance:

350 ohm nominal

### Material/Finish:

Stainless steel

### Temperature:

Compensated:  
15 °F to 115 °F (9 °C to 46 °C)

### Seal Type:

Hermetically sealed, IP66/68

### Safe Overload:

150% full scale

### Rated Excitation:

5 to 10 VDC (20 V maximum)

### Nonlinearity:

0.05% full scale

### Hysteresis:

0.03% full scale

### Insulation Resistance:

5,000 megohm

### Cable Length:

30 ft

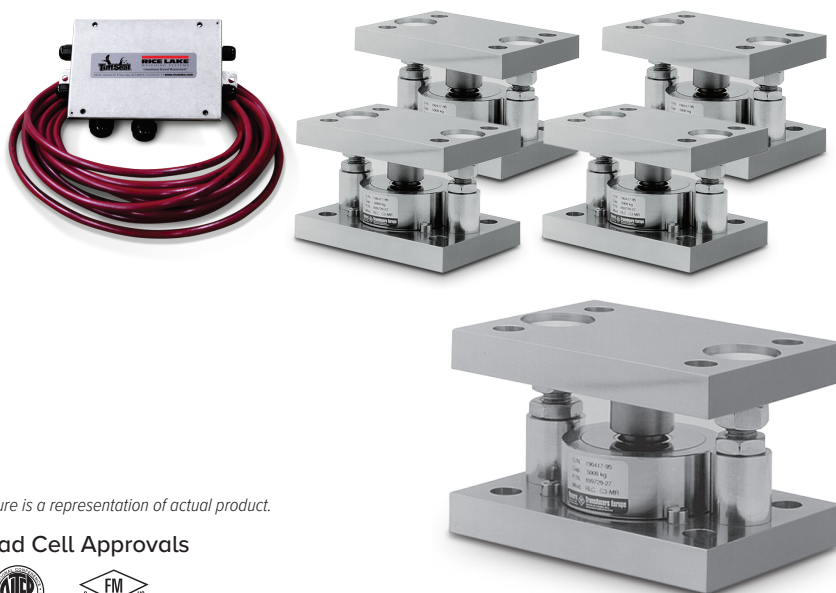
### Cable Color Code:

Red +Excitation  
Black -Excitation  
White +Signal  
Green -Signal

### Warranty:

Two-year limited





Picture is a representation of actual product.

### Load Cell Approvals



### Order Information

Load Rating (Per Module)	Part #	Price
<b>Single Module (Includes Load Cell)</b>		
0.5t	36401	\$1,198.00
1t	36402	\$1,198.00
2t	36403	\$1,383.00
3.5t	36404	\$1,383.00
5t	36405	\$1,383.00
<b>3-Module Kit</b>		
0.5t	36406	\$3,885.00
1t	36407	\$3,885.00
2t	36408	\$4,065.00
3.5t	36409	\$4,065.00
5t	36410	\$4,065.00
<b>4-Module Kit</b>		
0.5t	36411	\$5,083.00
1t	36412	\$5,083.00
2t	36413	\$5,422.00
3.5t	36414	\$5,422.00
5t	36415	\$5,422.00

### Replacement Rocker Pin Set\*

Load Rating (Per Module)	Part #	Price
250 kg to 1 t	170875	\$132.00
2 t to 5 t	170876	\$132.00

\*Kit includes upper cup, rocker pin and grease

### Dimensions

Rated Capacity	H	H1	H2	L	L1	L2	T	W	W1	W2
ton/mm										
0.5 to 1	80.0	20.0	15.0	150.0	15.0	120.0	14.0 (top plate)	100.0	70.0	15.0
2 to 5	100.0	20.0	20.0	160.0	20.0	120.0	13.8 (bottom plate)	110.0	70.0	20.0

### Complete Kit Includes

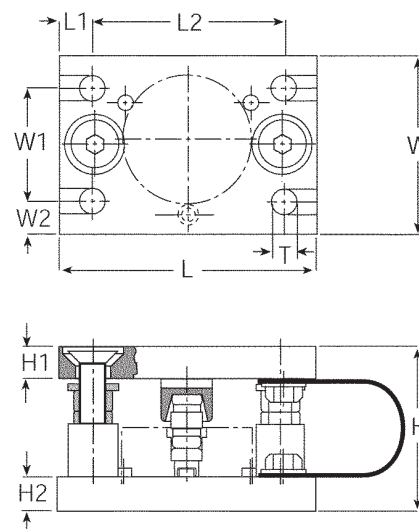
- Three or four RLC stainless steel compression mounts with RLC NTEP Certified stainless steel hermetically sealed compression disk load cells
- One JB4SS NEMA Type 4X stainless steel signal trim junction box
- 25 ft of hostile environment EL147HE SURVIVOR® load cell cable

### Standard Features

- Capacities (per module): 0.5 to 5 t
- mV/V/Ohm calibrated load cells eliminates the need for trimming
- Stainless steel construction
- Rocker pin design allows movement in all directions
- Easy load cell replacement
- Integral jacking/shipping bolts

### Applications

- Medium-capacity tanks, bins and hoppers
- Washdown or corrosive applications
- Process control and batch weighing



WEIGH MODULES

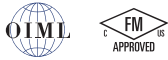
# 220 Universal Mount

Stainless Steel, Weigh Modules, VPG® Teda-Huntleigh®



Picture is a representation of actual product.

## Load Cell Approvals



## Complete Kit Includes

- Three or four 220 stainless steel compression mounts with 220 stainless steel hermetically sealed compression disk load cells
- One JB4SS NEMA Type 4X stainless steel signal trim junction box
- 25 ft of hostile environment EL147HE SURVIVOR® load cell cable

## Standard Features

- Capacities (per module): 5,000 to 30,000 kg
- mV/V/ohm calibrated load cells eliminates the need for trimming
- Stainless steel construction
- Easy load cell replacement
- Integral jacking/shipping bolts

## Applications

- Medium- to high-capacity tanks, bins and hoppers
- Washdown or corrosive applications
- Process control and batch weighing

## Order Information

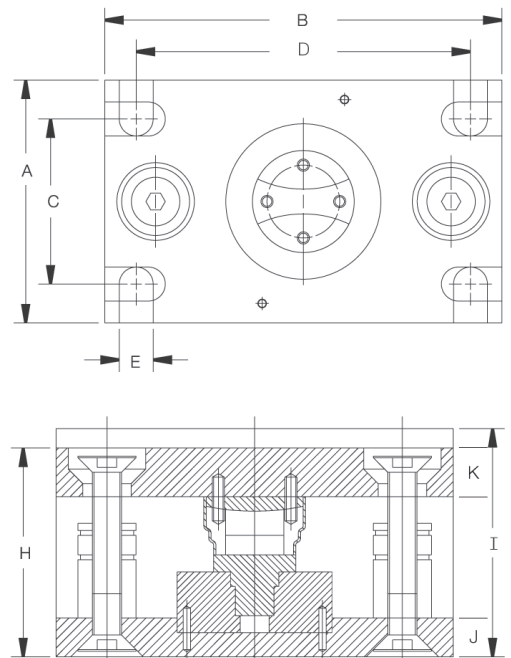
Load Rating (Per Module)	Part #	Price
<b>3-Module Kit (Includes Load Cell)</b>		
5,000 kg	66208	\$6,355.00
10,000 kg	66209	\$6,355.00
20,000 kg	66210	\$7,200.00
30,000 kg	66211	\$7,200.00
<b>4-Module Kit (Includes Load Cell)</b>		
5,000 kg	66212	\$8,369.00
10,000 kg	66213	\$8,369.00
20,000 kg	66214	\$9,672.00
30,000 kg	66215	\$9,672.00

## Replacement Mount Parts

Load Rating (Per Module)	Part #	Price
Saddle 5 t to 10 t	170879	\$132.00
Rolling cylinder 5 to 10t	170882	\$111.00
Load adapter 5 t	170880	\$117.00
Load adapter 10 t	170881	\$165.00
Rubber boot 5 to 10 t	171211	\$37.00
Saddle 20 to 30 t	170884	\$127.00
Rolling cylinder 20 to 30 t	170885	\$58.00
Load adapter 20 to 30 t	170883	\$111.00
Rubber boot 20 to 30 t	171212	\$32.00

## Dimensions

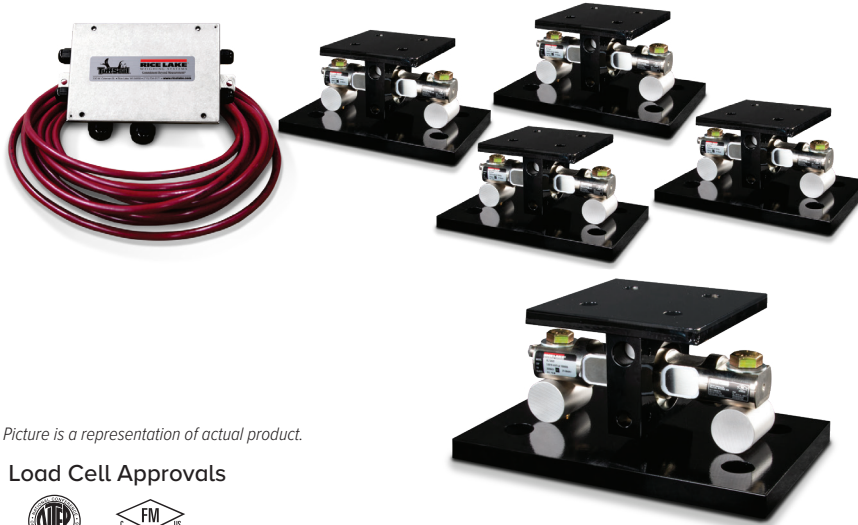
Rated Capacity	A	B	C	D	E	H	I	J	K
kg/mm									
5,000 to 10,000	127.0	203.0	90.0	170.0	18.0	107.0	Load Cell Replacement Height: 118.0 Operating Height: 107.0	19.1	25.4
20,000 to 30,000	152.0	245.0	115.0	208.0	24.0	148.0	Load Cell Replacement Height: 156.0 Operating Height: 148.1	31.8	25.4



WEIGH MODULES

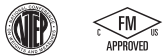
# EZ Mount 1 with RL72020

Mild Steel, Weigh Modules



Picture is a representation of actual product.

## Load Cell Approvals



## Order Information

Load Rating (Per Module)	Part #	Price
<b>Single Module (Does NOT Include Load Cell)</b>		
5,000 to 20,000 lb	<b>17823</b>	\$360.00
30,000 to 60,000 lb	<b>17824</b>	\$975.00
100,000 lb	<b>17850</b>	\$1,340.00
150,000 lb	<b>29012</b>	\$1,340.00
200,000 to 250,000 lb	<b>26068</b>	\$3,060.00
<b>3-Module Kit</b>		
5,000 lb	<b>208881</b>	\$3,310.00
10,000 lb	<b>208882</b>	\$3,310.00
20,000 lb	<b>208883</b>	\$3,310.00
30,000 lb	<b>208884</b>	\$5,350.00
40,000 lb	<b>208885</b>	\$5,350.00
50,000 lb	<b>208886</b>	\$5,350.00
60,000 lb	<b>208887</b>	\$5,350.00
100,000 lb	<b>208888</b>	\$8,620.00
150,000 lb	<b>208889</b>	\$8,620.00
<b>4-Module Kit</b>		
5,000 lb	<b>208892</b>	\$4,300.00
10,000 lb	<b>208893</b>	\$4,300.00
20,000 lb	<b>208894</b>	\$4,300.00
30,000 lb	<b>208895</b>	\$6,765.00
40,000 lb	<b>208896</b>	\$6,765.00
50,000 lb	<b>208897</b>	\$6,765.00
60,000 lb	<b>208898</b>	\$6,765.00
100,000 lb	<b>208899</b>	\$11,205.00
150,000 lb	<b>208900</b>	\$11,205.00

## VPG Revere 5103 Order Information

Load Rating (Per Module)	Part #	Price
<b>3-Module Kit</b>		
5,000 lb	<b>18175</b>	\$3,420.00
10,000 lb	<b>18176</b>	\$3,420.00
20,000 lb	<b>18177</b>	\$3,420.00
30,000 lb	<b>32169</b>	\$5,465.00
40,000 lb	<b>32171</b>	\$5,465.00
50,000 lb	<b>18178</b>	\$5,625.00
60,000 lb	<b>18179</b>	\$5,625.00
100,000 lb	<b>18180</b>	\$8,735.00
150,000 lb	<b>18181</b>	\$8,735.00
<b>4-Module Kit</b>		
5,000 lb	<b>18182</b>	\$4,410.00
10,000 lb	<b>18183</b>	\$4,410.00
20,000 lb	<b>18184</b>	\$4,410.00
30,000 lb	<b>32170</b>	\$6,920.00
40,000 lb	<b>32172</b>	\$6,920.00
50,000 lb	<b>18185</b>	\$6,920.00
60,000 lb	<b>18186</b>	\$6,920.00
100,000 lb	<b>18187</b>	\$11,380.00
150,000 lb	<b>18188</b>	\$11,380.00
<b>Dummy Load Cells</b>		
5,000 to 20,000 lb	<b>33749</b>	\$90.00
30,000 to 60,000 lb	<b>74016</b>	\$122.00
100,000 lb	<b>94175</b>	\$265.00
150,000 lb	<b>158715</b>	\$265.00
<b>Grounding Kit</b>		
5,000 to 60,000 lb	<b>126419</b>	\$21.00

## Complete Kit Includes

- Three or four EZ Mount 1 mild steel compression mounts with RL72020 NTEP Certified double-ended shear beam load cells
- One JB4SS NEMA Type 4X stainless steel signal trim junction box
- 25 ft of hostile environment EL147HE SURVIVOR® load cell cable

## Standard Features

- Capacities (per module): 5,000 to 250,000 lb
- Unique sliding pin design compensates for thermal expansion/contraction
- Coated mild steel construction
- Self-checking
- Easy load cell replacement
- Simplified design allows bolting directly to tank and floor
- Center-loaded double-ended shear beam design
- Low-profile design
- Compatible with VPG® Revere 5103 load cell

## Applications

- Medium-to heavy-capacity tank and hopper weighing applications

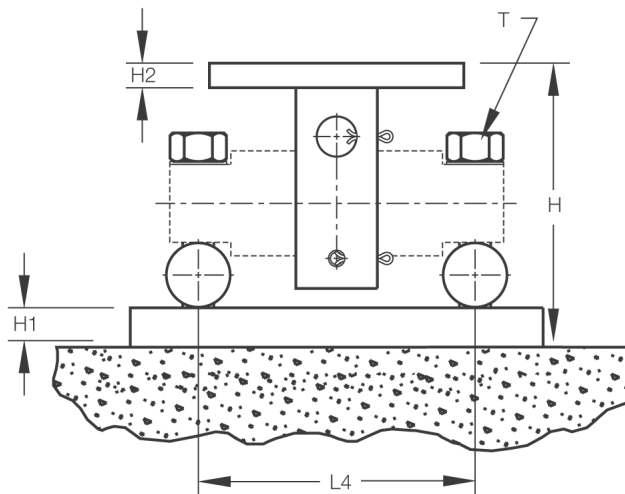
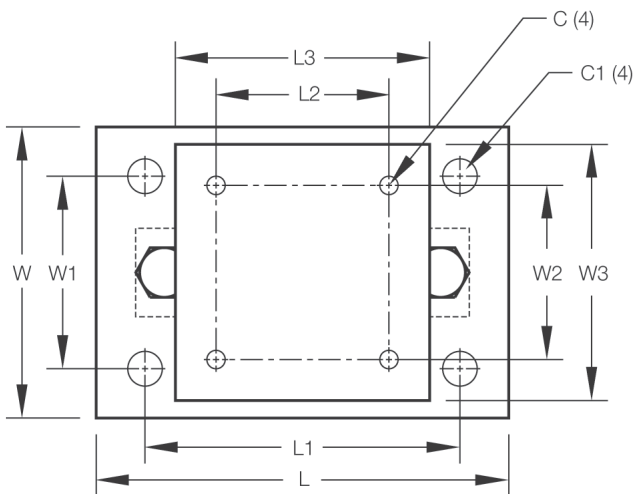
WEIGH MODULES

# EZ Mount 1 with RL72020

Mild Steel, Weigh Modules

## Dimensions

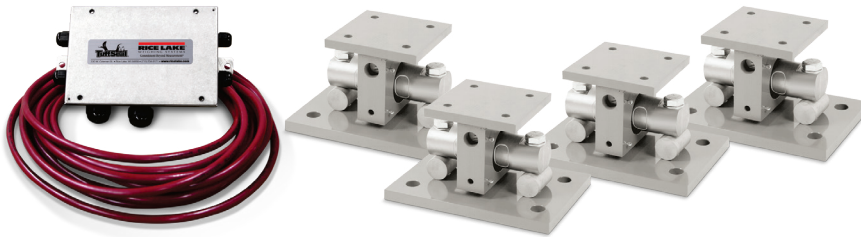
Rated Capacity	C	C1	H	H1	H2	L	L1	L2	L3	L4	T	W	W1	W2	W3
5,000 to 20,000	0.56	1.06	5.31	0.75	0.50	11.00	8.00	3.00	6.00	6.87	5/8-18 UNF	7.50	4.00	3.00	6.00
30,000 to 60,000	0.68	1.19	8.43	1.00	0.75	15.00	11.50	5.12	8.00	8.50	1-14 UNS	10.00	6.00	5.12	8.00
100,000 to 150,000	0.81	1.38	10.37	1.25	1.25	18.00	14.00	7.50	10.00	9.50	1-14 UNS	12.00	9.00	7.50	10.00
200,000 to 250,000	1.06	1.88	16.75	2.00	2.00	26.00	20.00	9.00	12.00	13.00	1 1/2-12 UNS	12.00	6.00	9.00	12.00



WEIGH MODULES

# EZ Mount 1 SS with RL72020SS

Stainless Steel, Weigh Modules



Picture is a representation of actual product.

## Load Cell Approvals

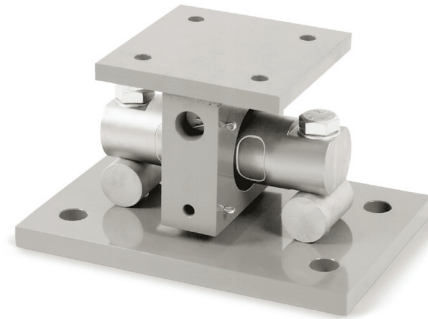


NTEP Excluding  
5K and 150K

## Order Information

Load Rating (Per Module)	Part #	Price
<b>Single Module (Does NOT Include Load Cell)</b>		
5,000 to 20,000 lb	<b>17943</b>	\$885.00
30,000 to 60,000 lb	<b>17944</b>	\$2,450.00
100,000 lb	<b>17945</b>	\$4,480.00
150,000 lb	<b>29011</b>	\$4,480.00
<b>3-Module Kit</b>		
5,000 lb*	<b>208914</b>	\$5,290.00
10,000 lb	<b>208917</b>	\$5,290.00
20,000 lb	<b>208918</b>	\$5,290.00
30,000 lb	<b>208919</b>	\$10,640.00
40,000 lb	<b>208920</b>	\$10,640.00
50,000 lb	<b>208921</b>	\$10,640.00
60,000 lb	<b>208922</b>	\$10,640.00
100,000 lb	<b>208923</b>	\$19,570.00
150,000 lb*	<b>208924</b>	\$19,570.00

\* Non-NTEP Certified

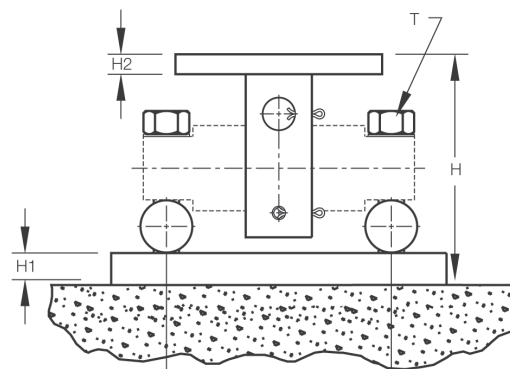
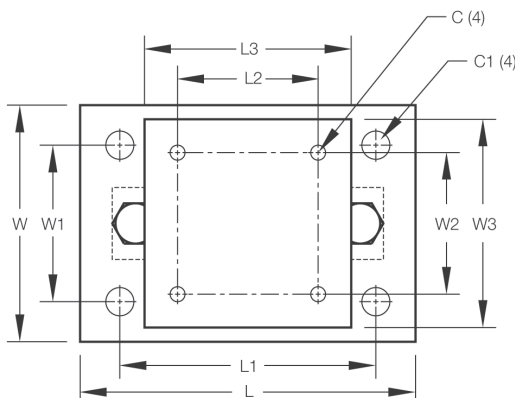


Load Rating (Per Module)	Part #	Price
<b>4-Module Kit</b>		
5,000 lb*	<b>208925</b>	\$6,865.00
10,000 lb	<b>208926</b>	\$6,865.00
20,000 lb	<b>208927</b>	\$6,865.00
30,000 lb	<b>208928</b>	\$14,010.00
40,000 lb	<b>208929</b>	\$14,010.00
50,000 lb	<b>208930</b>	\$14,010.00
60,000 lb	<b>208931</b>	\$14,010.00
100,000 lb	<b>208932</b>	\$26,030.00
150,000 lb*	<b>208933</b>	\$26,030.00
<b>Dummy Load Cells (Mild Steel)</b>		
5,000 to 20,000 lb	<b>33749</b>	\$90.00
30,000 to 60,000 lb	<b>74016</b>	\$122.00
100,000 lb	<b>94175</b>	\$265.00
150,000 lb	<b>158715</b>	\$265.00
<b>Grounding Kit</b>		
5,000 to 60,000 lb	<b>126419</b>	\$21.00

Includes ground strap and mounting hardware per mount

## Dimensions

Rated Capacity	C	C1	H	H1	H2	L	L1	L2	L3	L4	T	W	W1	W2	W3
lb/in															
5,000 to 20,000	0.56	1.06	5.31	0.75	0.50	11.00	8.00	3.00	6.00	6.87	5/8-18 UNF	7.50	4.00	3.00	6.00
30,000 to 60,000	0.68	1.19	8.43	1.00	0.75	15.00	11.50	5.12	8.00	8.50	1-14 UNS	10.00	6.00	5.12	8.00
100,000 to 150,000	0.81	1.38	10.37	1.25	1.25	18.00	14.00	7.50	10.00	9.50	1-14 UNS	12.00	9.00	7.50	10.00



## Complete Kit Includes

- Three or four EZ Mount 1 stainless steel compression mounts with RL72020SS stainless steel double-ended shear beam load cells
- One JB4SS NEMA Type 4X stainless steel signal trim junction box
- 25 ft of our hostile environment EL147HE SURVIVOR® load cell cable

## Standard Features

- Capacities (per module): 5,000 to 150,000 lb
- NTEP Certified load cells (except for 5 k and 150 k)
- Stainless steel construction
- Unique sliding pin design compensates for thermal expansion/contraction
- Self-checking
- Easy load cell replacement
- Simplified design allows bolting directly to tank and floor
- Center-loaded double-ended shear beam design
- Low-profile design
- Compatible with VPG® Revere 9103 load cell

## Applications

- Medium to heavy-capacity tank and hopper weighing applications

WEIGH MODULES

# EZ Mount 1 with MLC Coated RL72020

Stainless Steel, Weigh Modules



Picture is a representation of actual product.

## Load Cell Approvals



## Order Information

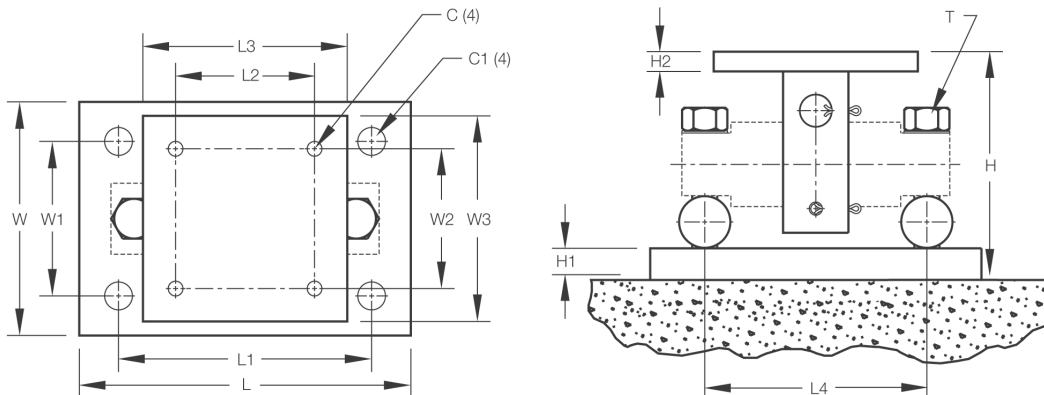
Load Rating (Per Module)	Part #	Price
<b>Single Module (Does NOT Include Load Cell)</b>		
5,000 to 20,000 lb	<b>17943</b>	\$885.00
30,000 to 60,000 lb	<b>17944</b>	\$2,450.00
100,000 lb	<b>17945</b>	\$4,480.00
150,000 lb	<b>29011</b>	\$4,480.00
<b>3-Module Kit</b>		
5,000 lb	<b>208957</b>	\$4,775.00
10,000 lb	<b>208959</b>	\$4,775.00
20,000 lb	<b>208961</b>	\$4,775.00
30,000 lb	<b>208963</b>	\$9,895.00
40,000 lb	<b>208965</b>	\$9,895.00
50,000 lb	<b>208967</b>	\$9,895.00
60,000 lb	<b>208969</b>	\$9,895.00
100,000 lb	<b>208971</b>	\$18,515.00
150,000 lb	<b>208973</b>	\$18,515.00

Load Rating (Per Module)	Part #	Price
<b>4-Module Kit</b>		
5,000 lb	<b>208958</b>	\$6,380.00
10,000 lb	<b>208960</b>	\$6,380.00
20,000 lb	<b>208962</b>	\$6,380.00
30,000 lb	<b>208964</b>	\$13,195.00
40,000 lb	<b>208966</b>	\$13,195.00
50,000 lb	<b>208968</b>	\$13,195.00
60,000 lb	<b>208970</b>	\$13,195.00
100,000 lb	<b>208972</b>	\$24,650.00
150,000 lb	<b>208974</b>	\$24,650.00
<b>Dummy Load Cells (Mild Steel)</b>		
5,000 to 20,000 lb	<b>33749</b>	\$90.00
30,000 to 60,000 lb	<b>74016</b>	\$122.00
100,000 lb	<b>94175</b>	\$265.00
150,000 lb	<b>158715</b>	\$265.00
<b>Grounding Kit</b>		
5,000 to 60,000 lb	<b>126419</b>	\$21.00

Includes ground strap and mounting hardware per mount

## Dimensions

Rated Capacity	C	C1	H	H1	H2	L	L1	L2	L3	L4	T	W	W1	W2	W3
5,000 to 20,000	0.56	1.06	5.31	0.75	0.50	11.00	8.00	3.00	6.00	6.87	5/8-18 UNF	7.50	4.00	3.00	6.00
30,000 to 60,000	0.68	1.19	8.43	1.00	0.75	15.00	11.50	5.12	8.00	8.50	1-14 UNS	10.00	6.00	5.12	8.00
100,000 to 150,000	0.81	1.38	10.37	1.25	1.25	18.00	14.00	7.50	10.00	9.50	1-14 UNS	12.00	9.00	7.50	10.00



## Complete Kit Includes

- Three or four EZ Mount 1 stainless steel compression mounts with coated RL72020 MLC Coated NTEP Certified double-ended shear beam load cells
- One JB4SS NEMA Type 4X stainless steel signal trim junction box
- 25 ft of hostile environment EL147HE SURVIVOR® load cell cable

## Standard Features

- Capacities (per module): 5,000 to 150,000 lb
- Unique sliding pin design compensates for thermal expansion/contraction
- Stainless steel construction (mount)
- Self-checking
- Easy load cell replacement
- Simplified design allows bolting directly to tank and floor
- Center-loaded double-ended shear beam design
- Low-profile design

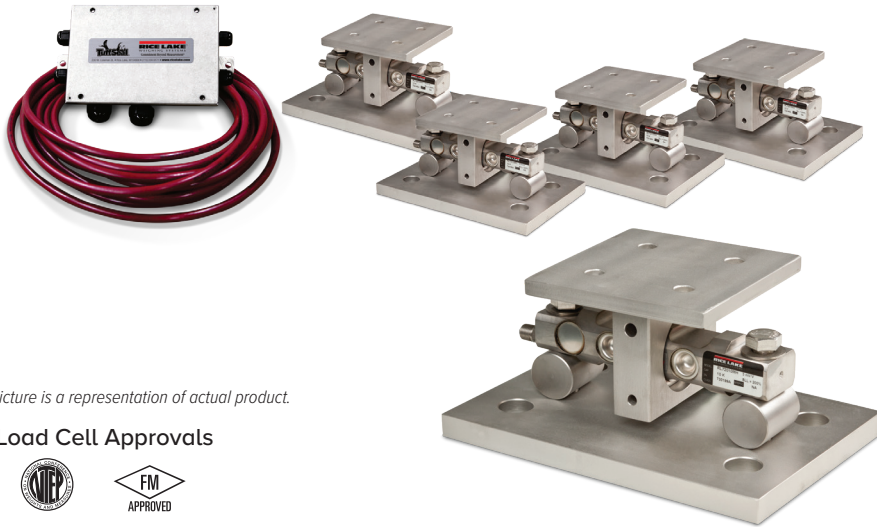
## Applications

- Medium to heavy capacity tank and fertilizer hopper weighing applications

WEIGH MODULES

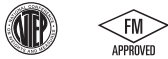
# EZ Mount 1 HE

## Stainless Steel, Weigh Modules



Picture is a representation of actual product.

### Load Cell Approvals



### Order Information

Load Rating (Per Module)	Part #	Price
<b>3-Module Kit</b>		
5,000 lb*	<b>46695</b>	\$6,235.00
10,000 lb	<b>46696</b>	\$6,235.00
20,000 lb	<b>46697</b>	\$6,235.00
30,000 lb	<b>46698</b>	\$12,375.00
40,000 lb	<b>46699</b>	\$12,375.00
50,000 lb	<b>46700</b>	\$12,375.00
60,000 lb	<b>46701</b>	\$12,375.00
<b>4-Module Kit</b>		
5,000 lb*	<b>46702</b>	\$8,390.00
10,000 lb	<b>46703</b>	\$8,390.00
20,000 lb	<b>46704</b>	\$8,390.00
30,000 lb	<b>46705</b>	\$16,175.00
40,000 lb	<b>46706</b>	\$16,175.00
50,000 lb	<b>46707</b>	\$16,175.00
60,000 lb	<b>46708</b>	\$16,175.00
<b>Dummy Load Cells (Mild Steel)</b>		
5,000 to 20,000 lb	<b>33749</b>	\$90.00
30,000 to 60,000 lb	<b>74016</b>	\$122.00
<b>Grounding Kit</b>		
5,000 to 60,000 lb	<b>126419</b>	\$21.00

Includes ground strap and mounting hardware  
\*Non-NTEP

### Dimensions

Rated Capacity	C	C1	H	H1	H2	L	L1	L2	L3	L4	T	W	W1	W2	W3
lb/in															
5,000 to 20,000	0.56	1.06	5.31	0.75	0.50	11.00	8.00	3.00	6.00	6.87	5/8-18 UNF	7.50	4.00	3.00	6.00
30,000 to 60,000	0.68	1.19	8.43	1.00	0.75	15.00	11.50	5.12	8.00	8.50	1-14 UNS	10.00	6.00	5.12	8.00

NOTES: Mounting bolts (T) may project on lower side of base plate. Foundation plate not included

### Shims

	Part #	Price
<b>5,000 to 20,000 lb, Stainless Steel</b>		
0.0625 in	<b>150886</b>	\$12.00
0.125 in	<b>150888</b>	\$18.00
0.250 in	<b>150889</b>	\$29.00
<b>30,000 to 60,000 lb, Stainless Steel</b>		
0.0625 in	<b>150890</b>	\$19.00
0.125 in	<b>150891</b>	\$30.00
0.250 in	<b>150892</b>	\$64.00
<b>5,000 to 20,000 lb, Mild Steel</b>		
0.0625 in	<b>150874</b>	\$5.00
0.125 in	<b>150876</b>	\$6.00
0.250 in	<b>150877</b>	\$8.00
<b>30,000 to 60,000 lb, Mild Steel</b>		
0.0625 in	<b>150878</b>	\$6.00
0.125 in	<b>150880</b>	\$9.00
0.250 in	<b>150881</b>	\$11.00

### Complete Kit Includes

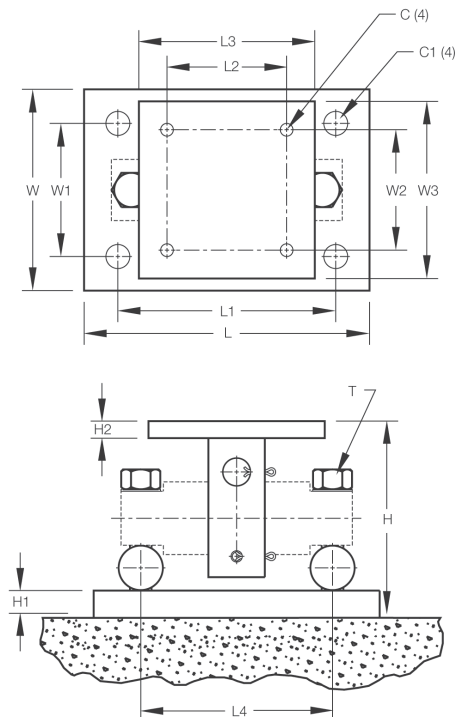
- Three or four EZ Mount 1 stainless steel compression mounts with RL72019SS welded-seal stainless steel double-ended shear beam load cells
- One JB4SS NEMA Type 4X stainless steel signal trim junction box
- 25 ft of our hostile environment EL147HE SURVIVOR® load cell cable

### Standard Features

- Capacities (per module): 5,000 to 60,000 lb
- NTEP Certified (except 5,000 lb)
- Stainless steel construction
- Unique sliding pin design compensates for thermal expansion/contraction
- Self-checking
- Easy load cell replacement
- Simplified design allows bolting directly to tank and floor
- Center-loaded, double-ended shear beam design
- Low-profile design

### Applications

- Medium- to heavy-capacity tank and hopper weighing applications



WEIGH MODULES

# RL1600 Series with RL75016

Cast Iron, Weigh Modules



## Complete Kit Includes

- Three or four RL1600 cast iron compression mounts with RL75016 environmentally protected double-ended shear beam load cells
- One JB4SS NEMA Type 4X stainless steel signal trim junction box
- 25 ft of hostile environment EL147HE SURVIVOR® load cell cable

## Standard Features

- Capacities (per module): 1,000 to 25,000 lb
- Cast iron construction
- Self-checking easy-to-use design allows module to be bolted directly to tank leg without requiring additional mounting plates or load buttons
- Double-ended beam design, center loaded
- Compatible with VPG® Sentionics® 65016 load cells, capacities (per module): 1,000 to 25,000 lb

## Applications

- Medium- to heavy-capacity tanks, bins and hoppers
- Bulk material management

Picture is a representation of actual product.

## Order Information

Load Rating (Per Module)	Part #	Price
<b>Single Module (Does NOT Include Load Cell)</b>		
1,000 to 5,000 lb	<b>17964</b>	\$185.00
10,000 to 25,000 lb	<b>17965</b>	\$357.00
<b>3-Module Kit</b>		
1,000 lb	<b>25663</b>	\$2,285.00
1,500 lb	<b>25664</b>	\$2,285.00
2,000 lb	<b>25665</b>	\$2,285.00
2,500 lb	<b>25666</b>	\$2,285.00
3,000 lb	<b>25667</b>	\$2,285.00
5,000 lb	<b>25668</b>	\$2,285.00
10,000 lb	<b>25669</b>	\$3,000.00
15,000 lb	<b>25671</b>	\$3,000.00
20,000 lb	<b>25672</b>	\$3,000.00
25,000 lb	<b>25674</b>	\$3,000.00
<b>4-Module Kit</b>		
1,000 lb	<b>25675</b>	\$2,925.00
1,500 lb	<b>25676</b>	\$2,925.00
2,000 lb	<b>25677</b>	\$2,925.00
2,500 lb	<b>25678</b>	\$2,925.00
3,000 lb	<b>25679</b>	\$2,925.00
5,000 lb	<b>25680</b>	\$2,925.00
10,000 lb	<b>25681</b>	\$3,875.00
15,000 lb	<b>25682</b>	\$3,875.00
20,000 lb	<b>25683</b>	\$3,875.00
25,000 lb	<b>25684</b>	\$3,875.00

Contact factory for load cell upgrade

## Dimensions

Rated Capacity	C	H	H1	H2	L	L1	L2	L3	T	W	W1	W2	W3
1,000 to 5,000 lb/in	0.56	5.00	0.50	0.50	9.31	2.75	4.00	6.25	1/2-13 UNC	5.00	3.75	2.75	4.00
10,000 to 25,000	0.78	7.89	0.75	0.75	12.00	6.00	8.00	7.50	3/4-10 UNC	8.00	6.00	6.00	8.00

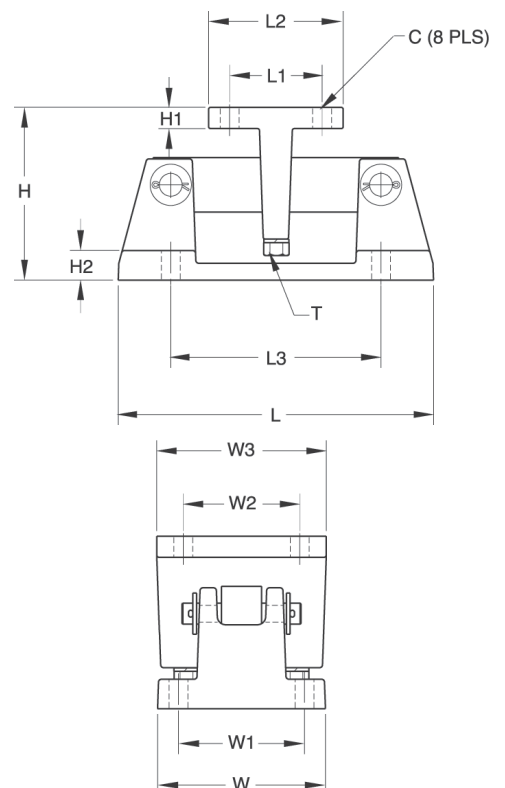
## VPG Sentionics 65016 Order Information

Load Rating (Per Module)	Part #	Price
<b>3-Module Kit</b>		
1,000 lb	<b>25685</b>	\$2,685.00
1,500 lb	<b>25686</b>	\$2,685.00
2,500 lb	<b>25688</b>	\$2,685.00
5,000 lb	<b>25690</b>	\$2,685.00
10,000 lb	<b>25691</b>	\$3,400.00
15,000 lb	<b>25692</b>	\$3,400.00
20,000 lb	<b>25693</b>	\$3,400.00
25,000 lb	<b>25694</b>	\$3,400.00
<b>4-Module Kit</b>		
1,000 lb	<b>25695</b>	\$3,485.00
1,500 lb	<b>25696</b>	\$3,485.00
2,500 lb	<b>25698</b>	\$3,485.00
5,000 lb	<b>25700</b>	\$3,485.00
10,000 lb	<b>25701</b>	\$4,465.00
15,000 lb	<b>25702</b>	\$4,465.00
20,000 lb	<b>25703</b>	\$4,465.00
25,000 lb	<b>25704</b>	\$4,465.00
<b>Dummy Load Cells</b>		
1,000 to 5,000 lb	<b>18236</b>	\$26.00
10,000 to 25,000 lb	<b>18237</b>	\$42.00

Contact factory for load cell upgrade

## Shims, Mild Steel

	Part #	Price
<b>1,000 to 5,000 lb</b>		
0.0625 in	<b>150844</b>	\$2.00
0.125 in	<b>150845</b>	\$3.00
0.250 in	<b>150846</b>	\$3.00
<b>10,000 to 25,000 lb</b>		
0.0625 in	<b>150847</b>	\$5.00
0.125 in	<b>150848</b>	\$7.50
0.250 in	<b>150849</b>	\$8.00

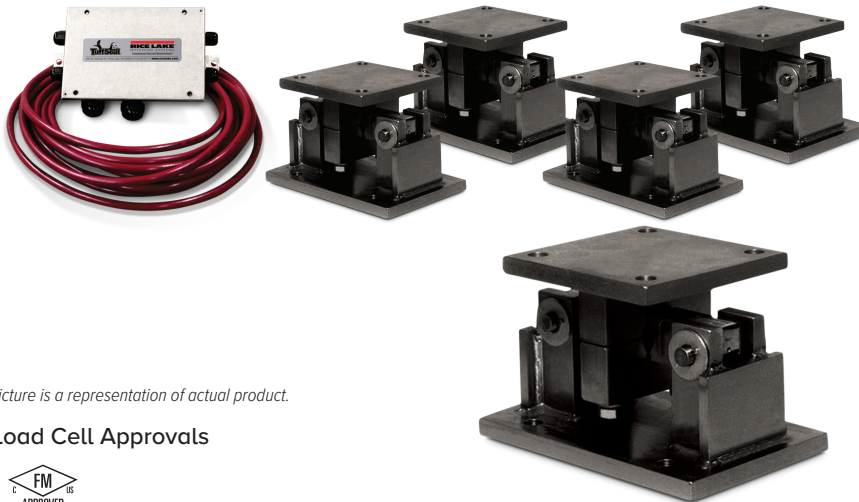


WEIGH MODULES



# RL1600 Series with RL75016

Mild Steel, Weigh Modules



Picture is a representation of actual product.

## Load Cell Approvals



## Order Information

Load Rating (Per Module)	Part #	Price
<b>Single Module (Does NOT Include Load Cell)</b>		
1,000 to 5,000 lb	<b>17812</b>	\$185.00
10,000 to 25,000 lb	<b>17814</b>	\$357.00
50,000 lb	<b>17816</b>	\$1,197.00
75,000 lb	<b>25346</b>	\$1,197.00
<b>3-Module Kit</b>		
1,000 lb	<b>18117</b>	\$2,285.00
1,500 lb	<b>18118</b>	\$2,285.00
2,000 lb	<b>18119</b>	\$2,285.00
2,500 lb	<b>18120</b>	\$2,285.00
3,000 lb	<b>18121</b>	\$2,285.00
5,000 lb	<b>18122</b>	\$2,285.00
10,000 lb	<b>18123</b>	\$3,000.00
15,000 lb	<b>18124</b>	\$3,000.00
20,000 lb	<b>18125</b>	\$3,000.00
25,000 lb	<b>18126</b>	\$3,000.00
50,000 lb	<b>18127</b>	\$6,305.00
75,000 lb	<b>25348</b>	\$6,305.00
<b>4-Module Kit</b>		
1,000 lb	<b>18129</b>	\$2,925.00
1,500 lb	<b>18130</b>	\$2,925.00
2,000 lb	<b>18131</b>	\$2,925.00
2,500 lb	<b>18132</b>	\$2,925.00
3,000 lb	<b>18133</b>	\$2,925.00
5,000 lb	<b>18134</b>	\$2,925.00
10,000 lb	<b>18135</b>	\$3,875.00
15,000 lb	<b>18136</b>	\$3,875.00
20,000 lb	<b>18137</b>	\$3,875.00
25,000 lb	<b>18138</b>	\$3,875.00
50,000 lb	<b>18139</b>	\$8,425.00
75,000 lb	<b>25349</b>	\$8,425.00

Contact factory for load cell upgrade

## Dimensions

Rated Capacity	C	H	H1	H2	L	L1	L2	L3	T	W	W1	W2	W3
lb/in													
1,000 to 5,000	0.56	5.00	0.50	0.50	9.25	2.75	4.00	6.25	1/2-13 UNC	5.00	3.75	2.75	4.00
10,000 to 25,000	0.78	7.87	0.75	0.75	12.00	6.00	8.00	7.50	3/4-10 UNC	8.00	6.00	6.00	8.00
50,000 to 75,000	0.78	9.25	1.00	1.00	16.25	6.50	9.00	11.50	1 1/4-7 UNC	12.00	9.50	6.50	9.00

## VPG Sensortronics 65016 Order Information

Load Rating (Per Module)	Part #	Price
<b>3-Module Kit</b>		
1,000 lb	<b>18189</b>	\$2,685.00
1,500 lb	<b>18190</b>	\$2,685.00
2,500 lb	<b>18192</b>	\$2,685.00
5,000 lb	<b>18194</b>	\$2,685.00
10,000 lb	<b>18195</b>	\$3,400.00
15,000 lb	<b>18196</b>	\$3,400.00
20,000 lb	<b>18197</b>	\$3,400.00
25,000 lb	<b>18198</b>	\$3,400.00
50,000 lb	<b>18199</b>	\$6,800.00
75,000 lb	<b>25350</b>	\$6,800.00
<b>4-Module Kit</b>		
1,000 lb	<b>18201</b>	\$3,485.00
1,500 lb	<b>18202</b>	\$3,485.00
2,500 lb	<b>18204</b>	\$3,485.00
5,000 lb	<b>18206</b>	\$3,485.00
10,000 lb	<b>18207</b>	\$4,465.00
15,000 lb	<b>18208</b>	\$4,465.00
20,000 lb	<b>18209</b>	\$4,465.00
25,000 lb	<b>18210</b>	\$4,465.00
50,000 lb	<b>18211</b>	\$8,920.00
75,000 lb	<b>25351</b>	\$8,920.00
<b>Dummy Load Cells</b>		
1,000 to 5,000 lb	<b>18236</b>	\$26.00
10,000 to 25,000 lb	<b>18237</b>	\$42.00
50,000 lb	<b>18238</b>	\$56.00

Contact factory for load cell upgrade

## Complete Kit Includes

- Three or four RL1600 mild steel compression mounts with RL75016 environmentally protected double-ended shear beam load cells
- One JB4SS NEMA Type 4X stainless steel signal trim junction box
- 25 ft of our hostile environment EL147HE SURVIVOR® load cell cable

## Standard Features

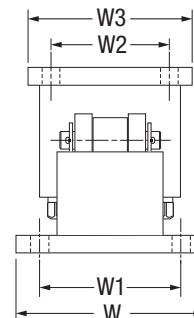
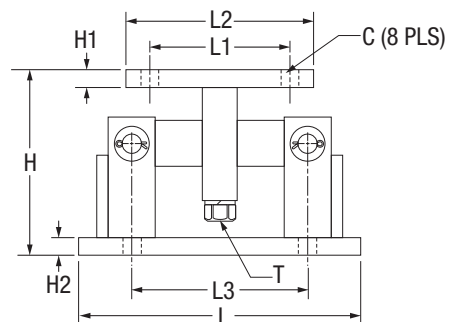
- Capacities (per module): 1,000 to 75,000 lb
- Coated mild steel construction
- Self-checking, easy-to-use design allows module to be bolted directly to tank leg without requiring additional mounting plates or load buttons
- Double-ended shear beam design, center loaded
- Compatible with VPG® Sensortronics® 65016 load cells

## Applications

- Medium- to heavy-capacity tanks, bins and hoppers
- Bulk material management

## Shims, Mild Steel

	Part #	Price
<b>1,000 to 5,000 lb</b>		
0.0625 in	<b>150844</b>	\$2.00
0.125 in	<b>150845</b>	\$3.00
0.250 in	<b>150846</b>	\$3.00
<b>10,000 to 25,000 lb</b>		
0.0625 in	<b>150847</b>	\$5.00
0.125 in	<b>150848</b>	\$7.50
0.250 in	<b>150849</b>	\$8.00
<b>50,000 to 75,000 lb</b>		
0.0625 in	<b>150850</b>	\$7.00
0.125 in	<b>150851</b>	\$9.00
0.250 in	<b>150866</b>	\$7.50



WEIGH MODULES

# RL1600 Series with RL77032

Mild Steel, Weigh Modules



Picture is a representation of actual product.

## Load Cell Approvals



## Order Information

Load Rating (Per Module)	Part #	Price
<b>Single Module (Does NOT Include Load Cell)</b>		
1,000 to 5,000 lb	<b>17812</b>	\$185.00
10,000 to 25,000 lb	<b>17814</b>	\$357.00
50,000 lb	<b>17816</b>	\$1,197.00
75,000 lb	<b>25346</b>	\$1,197.00
<b>3-Module Kit</b>		
1,000 lb	<b>225213</b>	\$2,285.00
1,500 lb	<b>225214</b>	\$2,285.00
2,000 lb	<b>225215</b>	\$2,285.00
2,500 lb	<b>225216</b>	\$2,285.00
3,000 lb	<b>225217</b>	\$2,285.00
5,000 lb	<b>225218</b>	\$2,285.00
10,000 lb	<b>225219</b>	\$3,000.00
15,000 lb	<b>225220</b>	\$3,000.00
20,000 lb	<b>225221</b>	\$3,000.00
25,000 lb	<b>225222</b>	\$3,000.00
50,000 lb	<b>225223</b>	\$6,305.00
75,000 lb	<b>225224</b>	\$6,305.00
<b>4-Module Kit</b>		
1,000 lb	<b>225226</b>	\$2,925.00
1,500 lb	<b>225227</b>	\$2,925.00
2,000 lb	<b>225229</b>	\$2,925.00
2,500 lb	<b>225231</b>	\$2,925.00
3,000 lb	<b>225232</b>	\$2,925.00
5,000 lb	<b>225233</b>	\$2,925.00
10,000 lb	<b>225234</b>	\$3,875.00
15,000 lb	<b>225235</b>	\$3,875.00
20,000 lb	<b>225236</b>	\$3,875.00
25,000 lb	<b>225237</b>	\$3,875.00
50,000 lb	<b>225238</b>	\$8,425.00
75,000 lb	<b>225239</b>	\$8,425.00

## Dimensions

Rated Capacity	C	H	H1	H2	L	L1	L2	L3	T	W	W1	W2	W3
lb/in													
1,000 to 5,000	0.56	5.00	0.50	0.50	9.25	2.75	4.00	6.25	1/2-13 UNC	5.00	3.75	2.75	4.00
10,000 to 25,000	0.78	7.87	0.75	0.75	12.00	6.00	8.00	7.50	3/4-10 UNC	8.00	6.00	6.00	8.00
50,000 to 75,000	0.78	9.25	1.00	1.00	16.25	6.50	9.00	11.50	1 1/4-7 UNC	12.00	9.50	6.50	9.00

## VPG Scentroidrics 65016 Order Information

Load Rating (Per Module)	Part #	Price
<b>3-Module Kit</b>		
1,000 lb	<b>18189</b>	\$2,685.00
1,500 lb	<b>18190</b>	\$2,685.00
2,500 lb	<b>18192</b>	\$2,685.00
5,000 lb	<b>18194</b>	\$2,685.00
10,000 lb	<b>18195</b>	\$3,400.00
15,000 lb	<b>18196</b>	\$3,400.00
20,000 lb	<b>18197</b>	\$3,400.00
25,000 lb	<b>18198</b>	\$3,400.00
50,000 lb	<b>18199</b>	\$6,800.00
75,000 lb	<b>25350</b>	\$6,800.00
<b>4-Module Kit</b>		
1,000 lb	<b>18201</b>	\$3,485.00
1,500 lb	<b>18202</b>	\$3,485.00
2,500 lb	<b>18204</b>	\$3,485.00
5,000 lb	<b>18206</b>	\$3,485.00
10,000 lb	<b>18207</b>	\$4,465.00
15,000 lb	<b>18208</b>	\$4,465.00
20,000 lb	<b>18209</b>	\$4,465.00
25,000 lb	<b>18210</b>	\$4,465.00
50,000 lb	<b>18211</b>	\$8,920.00
75,000 lb	<b>25351</b>	\$8,920.00
<b>Dummy Load Cells</b>		
1,000 to 5,000 lb	<b>18236</b>	\$26.00
10,000 to 25,000 lb	<b>18237</b>	\$42.00
50,000 lb	<b>18238</b>	\$56.00

## Complete Kit Includes

- Three or four RL1600 mild steel compression mounts with RL77032 environmentally protected double-ended shear beam load cells
- One JB4SS NEMA Type 4X stainless steel signal trim junction box
- 25 ft of our hostile environment EL147HE SURVIVOR® load cell cable

## Standard Features

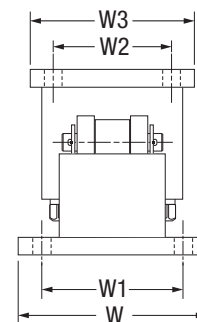
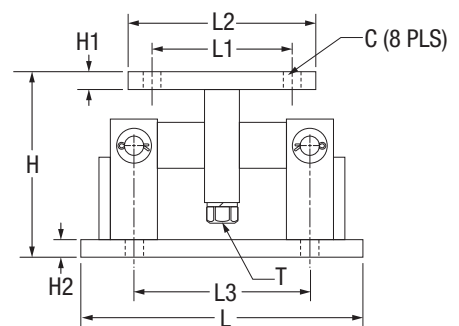
- Capacities (per module): 1,000 to 75,000 lb
- Coated mild steel construction
- Self-checking, easy-to-use design allows module to be bolted directly to tank leg without requiring additional mounting plates or load buttons
- Double-ended shear beam design, center loaded
- Compatible with VPG® Scentroidrics® 65016 load cells

## Applications

- Medium- to heavy-capacity tanks, bins and hoppers
- Bulk material management

## Shims, Mild Steel

	Part #	Price
<b>1,000 to 5,000 lb</b>		
0.0625 in	<b>150844</b>	\$2.00
0.125 in	<b>150845</b>	\$3.00
0.250 in	<b>150846</b>	\$3.00
<b>10,000 to 25,000 lb</b>		
0.0625 in	<b>150847</b>	\$5.00
0.125 in	<b>150848</b>	\$7.50
0.250 in	<b>150849</b>	\$8.00
<b>50,000 to 75,000 lb</b>		
0.0625 in	<b>150850</b>	\$7.00
0.125 in	<b>150851</b>	\$9.00
0.250 in	<b>150866</b>	\$7.50



# RL1600 Series with RL75016SS

Stainless Steel, Weigh Modules



Picture is a representation of actual product.

## Load Cell Approvals



## Order Information

Load Rating (Per Module)	Part #	Price
<b>Single Module (Does NOT Include Load Cell)</b>		
1,000 to 5,000 lb	<b>17813</b>	\$685.00
10,000 to 25,000 lb	<b>17815</b>	\$1,345.00
50,000 lb	<b>17842</b>	\$3,185.00
75,000 lb	<b>25347</b>	\$3,185.00
<b>3-Module Kit</b>		
1,000 lb	<b>18141</b>	\$3,820.00
1,500 lb	<b>18142</b>	\$3,820.00
2,000 lb	<b>18143</b>	\$3,820.00
2,500 lb	<b>18144</b>	\$3,820.00
5,000 lb	<b>18145</b>	\$3,820.00
10,000 lb	<b>18146</b>	\$5,830.00
15,000 lb	<b>18147</b>	\$5,830.00
20,000 lb	<b>18148</b>	\$5,830.00
25,000 lb	<b>18149</b>	\$5,830.00
50,000 lb	<b>18150</b>	\$13,255.00
75,000 lb	<b>25352</b>	\$13,255.00
<b>4-Module Kit</b>		
1,000 lb	<b>18152</b>	\$4,988.00
1,500 lb	<b>18153</b>	\$4,988.00
2,000 lb	<b>18154</b>	\$4,988.00
2,500 lb	<b>18155</b>	\$4,988.00
5,000 lb	<b>18156</b>	\$4,988.00
10,000 lb	<b>18157</b>	\$7,959.00
15,000 lb	<b>18158</b>	\$7,959.00
20,000 lb	<b>18159</b>	\$7,959.00
25,000 lb	<b>18160</b>	\$7,959.00
50,000 lb	<b>18161</b>	\$17,895.00
75,000 lb	<b>25353</b>	\$17,895.00

## Dimensions

Rated Capacity	C	H	H1	H2	L	L1	L2	L3	T	W	W1	W2	W3
lb/in													
1,000 to 5,000	0.56	5.00	0.50	0.50	9.25	2.75	4.00	6.25	1/2-13 UNC	5.00	3.75	2.75	4.00
10,000 to 25,000	0.78	7.87	0.75	0.75	12.00	6.00	8.00	7.50	3/4-10 UNC	8.00	6.00	6.00	8.00
50,000 to 75,000	0.78	9.25	1.00	1.00	16.25	6.50	9.00	11.50	1 1/4-7 UNC	12.00	9.50	6.50	9.00

## VPG Sensortronics 65016W Order Information

Load Rating (Per Module)	Part #	Price
<b>3-Module Kit</b>		
1,000 lb	<b>18213</b>	\$4,090.00
1,500 lb	<b>18214</b>	\$4,090.00
2,500 lb	<b>18216</b>	\$4,090.00
5,000 lb	<b>18217</b>	\$4,090.00
10,000 lb	<b>18218</b>	\$6,280.00
15,000 lb	<b>18219</b>	\$6,280.00
20,000 lb	<b>18220</b>	\$6,280.00
25,000 lb	<b>18221</b>	\$6,280.00
50,000 lb	<b>18222</b>	\$13,815.00
75,000 lb	<b>25354</b>	\$13,815.00
<b>4-Module Kit</b>		
1,000 lb	<b>18224</b>	\$5,375.00
1,500 lb	<b>18225</b>	\$5,375.00
2,500 lb	<b>18227</b>	\$5,375.00
5,000 lb	<b>18228</b>	\$5,375.00
10,000 lb	<b>18229</b>	\$8,290.00
15,000 lb	<b>18230</b>	\$8,290.00
20,000 lb	<b>18231</b>	\$8,290.00
25,000 lb	<b>18232</b>	\$8,290.00
50,000 lb	<b>18233</b>	\$18,225.00
75,000 lb	<b>25355</b>	\$18,225.00
<b>Dummy Load Cells (Mild Steel)</b>		
1,000 to 5,000 lb	<b>18236</b>	\$26.00
10,000 to 25,000 lb	<b>18237</b>	\$42.00
50,000 lb	<b>18238</b>	\$56.00

## Complete Kit Includes

- Three or four RL1600 stainless steel compression mounts with RL75016SS environmentally protected stainless steel double-ended shear beam load cells
- One JB4SS NEMA Type 4X stainless steel signal trim junction box
- 25 ft of hostile environment EL147HE SURVIVOR® load cell cable

## Standard Features

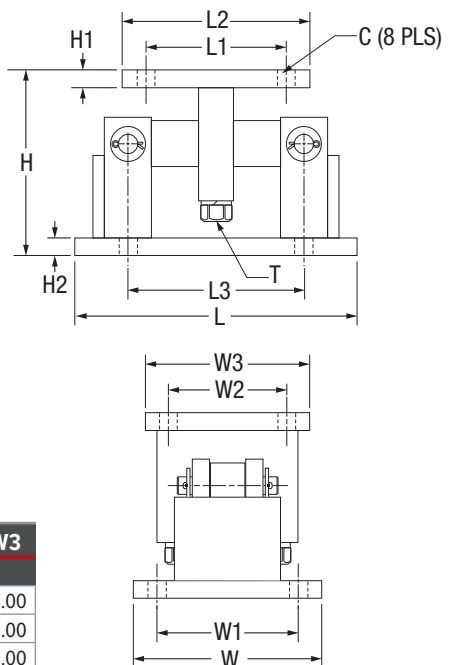
- Capacities (per module): 1,000 to 75,000 lb
- Stainless steel construction
- Self-checking, easy-to-use design allows module to be bolted directly to tank leg without requiring additional mounting plates or load buttons
- Double-ended shear beam design, center loaded
- Compatible with VPG® Sensortronics® 65016W SS load cells

## Applications

- Medium- to heavy-capacity tanks, bins and hoppers
- Bulk material management

## Shims, Stainless

Part #	Price
<b>1,000 to 5,000 lb</b>	
0.0625	<b>150852</b> \$7.00
0.125	<b>150853</b> \$12.00
0.250	<b>150854</b> \$18.00
<b>10,000 to 25,000 lb</b>	
0.0625	<b>150855</b> \$19.00
0.125	<b>150856</b> \$30.00
0.250	<b>150857</b> \$65.00
<b>50,000 to 75,000 lb</b>	
0.0625	<b>150858</b> \$27.00
0.125	<b>150859</b> \$38.00
0.250	<b>150861</b> \$79.00



WEIGH MODULES

# RL1600 SS Series with RL77032SS

Stainless Steel, Weigh Modules



Picture is a representation of actual product.

Load Cell Approvals



## Order Information

Load Rating (Per Module)	Part #	Price
<b>Single Module (Does NOT Include Load Cell)</b>		
1,000 to 5,000 lb	<b>17813</b>	\$685.00
10,000 to 25,000 lb	<b>17815</b>	\$1,345.00
50,000 lb	<b>17842</b>	\$3,185.00
75,000 lb	<b>25347</b>	\$3,185.00
<b>3-Module Kit</b>		
1,000 lb	<b>225333</b>	\$3,820.00
1,500 lb	<b>225334</b>	\$3,820.00
2,000 lb	<b>225335</b>	\$3,820.00
2,500 lb	<b>225336</b>	\$3,820.00
5,000 lb	<b>225337</b>	\$3,820.00
10,000 lb	<b>225338</b>	\$5,830.00
15,000 lb	<b>225340</b>	\$5,830.00
20,000 lb	<b>225341</b>	\$5,830.00
25,000 lb	<b>225342</b>	\$5,830.00
50,000 lb	<b>225343</b>	\$13,255.00
75,000 lb	<b>225344</b>	\$13,255.00
<b>4-Module Kit</b>		
1,000 lb	<b>225347</b>	\$4,988.00
1,500 lb	<b>225349</b>	\$4,988.00
2,000 lb	<b>225350</b>	\$4,988.00
2,500 lb	<b>225351</b>	\$4,988.00
5,000 lb	<b>225352</b>	\$4,988.00
10,000 lb	<b>225353</b>	\$7,959.00
15,000 lb	<b>225354</b>	\$7,959.00
20,000 lb	<b>225355</b>	\$7,959.00
25,000 lb	<b>225356</b>	\$7,959.00
50,000 lb	<b>225357</b>	\$17,895.00
75,000 lb	<b>225358</b>	\$17,895.00

## Dimensions

Rated Capacity	C	H	H1	H2	L	L1	L2	L3	T	W	W1	W2	W3
1,000 to 5,000 lb/in	0.56	5.00	0.50	0.50	9.25	2.75	4.00	6.25	1/2-13 UNC	5.00	3.75	2.75	4.00
10,000 to 25,000	0.78	7.87	0.75	0.75	12.00	6.00	8.00	7.50	3/4-10 UNC	8.00	6.00	6.00	8.00
50,000 to 75,000	0.78	9.25	1.00	1.00	16.25	6.50	9.00	11.50	1 1/4-7 UNC	12.00	9.50	6.50	9.00

## VPG Sensortronics 65016W Order Information

Load Rating (Per Module)	Part #	Price
<b>3-Module Kit</b>		
1,000 lb	<b>18213</b>	\$4,090.00
1,500 lb	<b>18214</b>	\$4,090.00
2,500 lb	<b>18216</b>	\$4,090.00
5,000 lb	<b>18217</b>	\$4,090.00
10,000 lb	<b>18218</b>	\$6,280.00
15,000 lb	<b>18219</b>	\$6,280.00
20,000 lb	<b>18220</b>	\$6,280.00
25,000 lb	<b>18221</b>	\$6,280.00
50,000 lb	<b>18222</b>	\$13,815.00
75,000 lb	<b>25354</b>	\$13,815.00
<b>4-Module Kit</b>		
1,000 lb	<b>18224</b>	\$5,375.00
1,500 lb	<b>18225</b>	\$5,375.00
2,500 lb	<b>18227</b>	\$5,375.00
5,000 lb	<b>18228</b>	\$5,375.00
10,000 lb	<b>18229</b>	\$8,290.00
15,000 lb	<b>18230</b>	\$8,290.00
20,000 lb	<b>18231</b>	\$8,290.00
25,000 lb	<b>18232</b>	\$8,290.00
50,000 lb	<b>18233</b>	\$18,225.00
75,000 lb	<b>25355</b>	\$18,225.00
<b>Dummy Load Cells (Mild Steel)</b>		
1,000 to 5,000 lb	<b>18236</b>	\$26.00
10,000 to 25,000 lb	<b>18237</b>	\$42.00
50,000 lb	<b>18238</b>	\$56.00

## Complete Kit Includes

- Three or four RL1600 stainless steel compression mounts with RL77032SS environmentally protected stainless steel double-ended shear beam load cells
- One JB4SS NEMA Type 4X stainless steel signal trim junction box
- 25 ft of hostile environment EL147HE SURVIVOR® load cell cable

## Standard Features

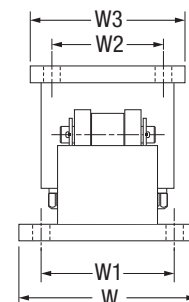
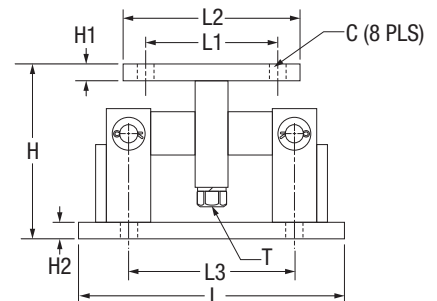
- Capacities (per module): 1,000 to 75,000 lb
- Stainless steel construction
- Self-checking, easy-to-use design allows module to be bolted directly to tank leg without requiring additional mounting plates or load buttons
- Double-ended shear beam design, center loaded
- Compatible with VPG® Sensortronics® 65016W SS load cells

## Applications

- Medium- to heavy-capacity tanks, bins and hoppers
- Bulk material management

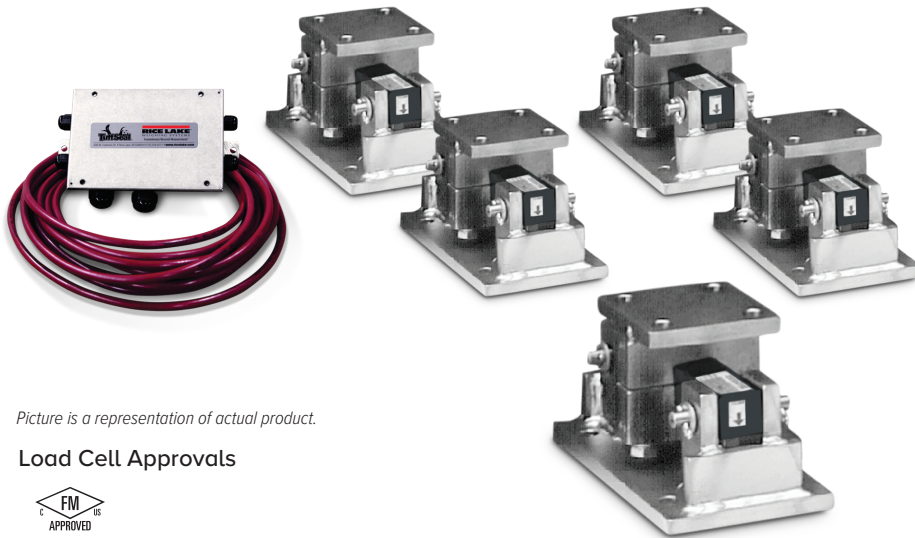
## Shims, Stainless

Load Rating	Part #	Price
<b>1,000 to 5,000 lb</b>		
0.0625	<b>150852</b>	\$7.00
0.125	<b>150853</b>	\$12.00
0.250	<b>150854</b>	\$18.00
<b>10,000 to 25,000 lb</b>		
0.0625	<b>150855</b>	\$19.00
0.125	<b>150856</b>	\$30.00
0.250	<b>150857</b>	\$65.00
<b>50,000 to 75,000 lb</b>		
0.0625	<b>150858</b>	\$27.00
0.125	<b>150859</b>	\$38.00
0.250	<b>150861</b>	\$79.00



# RL1600 Series with MLC Coated RL75016

Stainless Steel, Weigh Modules



Picture is a representation of actual product.

## Load Cell Approvals



## Order Information

Load Rating (Per Module)	Part #	Price
<b>Single Module (Does NOT Include Load Cell)</b>		
1,000 to 5,000 lb	17813	\$685.00
10,000 to 25,000 lb	17815	\$1,345.00
50,000 lb	17842	\$3,185.00
75,000 lb	25347	\$3,185.00
<b>3-Module Kit</b>		
1,000 lb	199023	\$3,820.00
1,500 lb	199025	\$3,820.00
2,000 lb	199027	\$3,820.00
2,500 lb	199029	\$3,820.00
3,000 lb	199031	\$3,820.00
5,000 lb	199033	\$3,820.00
10,000 lb	199035	\$5,830.00
15,000 lb	199037	\$5,830.00
20,000 lb	199038	\$5,830.00
25,000 lb	199040	\$5,830.00
50,000 lb	199042	\$13,255.00
75,000 lb	199044	\$13,255.00
<b>4-Module Kit</b>		
1,000 lb	199024	\$4,985.00
1,500 lb	199026	\$4,985.00
2,000 lb	199028	\$4,985.00
2,500 lb	199030	\$4,985.00
3,000 lb	199032	\$4,985.00
5,000 lb	199034	\$4,985.00
10,000 lb	199036	\$7,955.00
15,000 lb	199056	\$7,955.00
20,000 lb	199039	\$7,955.00
25,000 lb	199041	\$7,955.00
50,000 lb	199043	\$17,895.00
75,000 lb	199045	\$17,895.00

## Dimensions

Rated Capacity	C	H	H1	H2	L	L1	L2	L3	T	W	W1	W2	W3
1,000 to 5,000	0.56	5.00	0.50	0.50	9.25	2.75	4.00	6.25	1/2-13 UNC	5.00	3.75	2.75	4.00
10,000 to 25,000	0.78	7.87	0.75	0.75	12.00	6.00	8.00	7.50	3/4-10 UNC	8.00	6.00	6.00	8.00
50,000 to 75,000	0.78	9.25	1.00	1.00	16.25	6.50	9.00	11.50	1 1/4-7 UNC	12.00	9.50	6.50	9.00

## Complete Kit Includes

- Three or four RL1600 stainless steel compression mounts with MLC coated RL75016 alloy steel, environmentally sealed, double ended shear beam load cells
- One JB4SS NEMA Type 4X stainless steel signal trim junction box
- 25 ft of hostile environment EL147HE SURVIVOR® load cell cable

## Standard Features

- Capacities (per module): 1,000 to 75,000 lb
- Stainless steel construction (mounts)
- Self-checking, easy-to-use design allows module to be bolted directly to tank leg without requiring additional mounting plates or load buttons
- Double-ended shear beam design, center loaded

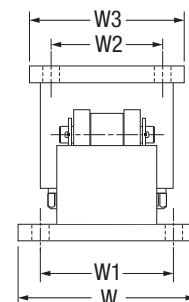
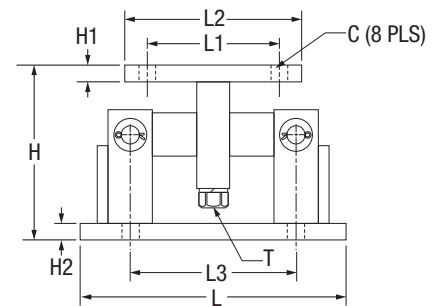
## Applications

- Medium-to heavy-capacity tanks, bins, and hoppers
- Bulk material management

## Shims, Stainless

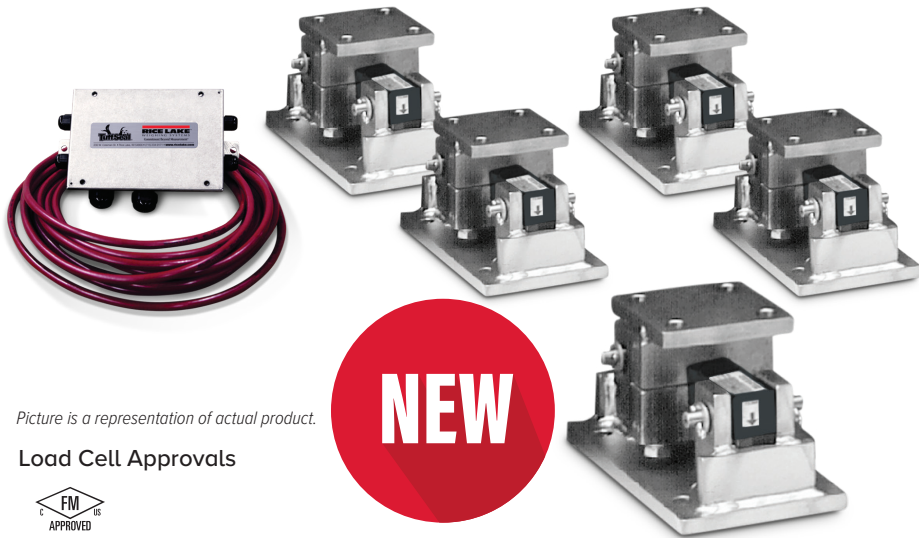
	Part #	Price
<b>1,000 to 5,000 lb</b>		
0.0625	150852	\$7.00
0.125	150853	\$12.00
0.250	150854	\$18.00
<b>10,000 to 25,000 lb</b>		
0.0625	150855	\$19.00
0.125	150856	\$30.00
0.250	150857	\$65.00
<b>50,000 to 75,000 lb</b>		
0.0625	150858	\$27.00
0.125	150859	\$38.00
0.250	150861	\$79.00

WEIGH MODULES



# RL1600 HE Series with RL77032SS HE

Stainless Steel, Weigh Modules



Picture is a representation of actual product.

Load Cell Approvals



## Complete Kit Includes

- Three or four RL1600 HE stainless steel compression mounts with RL77032SS HE stainless steel, hermetically sealed, double-ended shear beam load cells
- One JB4SS NEMA Type 4X stainless steel signal trim junction box
- 25 ft of our hostile environment EL147HE SURVIVOR load cell cable

## Standard Features

- All stainless steel construction
- Self-checking, easy-to-use design allows module to be bolted directly to tank leg without requiring additional mounting plates or load buttons
- Center loaded

## Applications

- Medium-capacity tanks, bins and hoppers
- Bulk material management
- Ingredient batching, mixing and blending

## Order Information

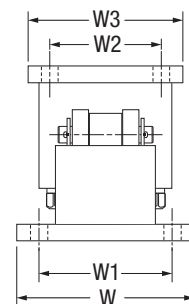
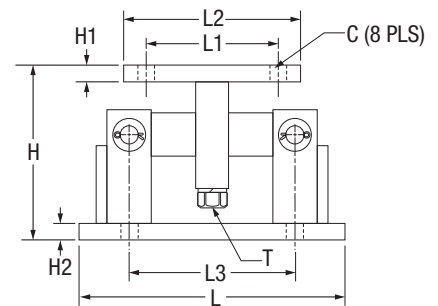
Load Rating (Per Module)	Part #	Price
<b>Single Module (Does NOT Include Load Cell)</b>		
1,000 to 5,000 lb	17813	\$685.00
10,000 to 25,000 lb	17815	\$1,345.00
50,000 lb	17842	\$3,185.00
75,000 lb	25347	\$3,185.00
<b>3-Module Kit</b>		
1,000 lb	225359	\$4,500.00
1,500 lb	225360	\$4,500.00
2,000 lb	225361	\$4,500.00
2,500 lb	225362	\$4,500.00
5,000 lb	225363	\$4,500.00
10,000 lb	225364	\$6,725.00
15,000 lb	225365	\$6,725.00
20,000 lb	225366	\$6,725.00
25,000 lb	225367	\$6,725.00
50,000 lb	225368	\$14,180.00
75,000 lb	225369	\$14,180.00
<b>4-Module Kit</b>		
1,000 lb	225370	\$5,865.00
1,500 lb	225371	\$5,865.00
2,000 lb	225372	\$5,865.00
2,500 lb	225373	\$5,865.00
5,000 lb	225374	\$5,865.00
10,000 lb	225375	\$8,800.00
15,000 lb	225376	\$8,800.00
20,000 lb	225377	\$8,800.00
25,000 lb	225378	\$8,800.00
50,000 lb	225379	\$18,815.00
75,000 lb	225380	\$18,815.00
<b>Dummy Load Cell</b>		
1,000 to 5,000 lb	18236	\$26.00
10,000 to 25,000 lb	18237	\$42.00

## Dimensions

Rated Capacity	C	H	H1	H2	L	L1	L2	L3	T	W	W1	W2	W3
lb/in													
1,000 to 5,000	0.56	5.00	0.50	0.50	9.25	2.75	4.00	6.25	1/2-13 UNC	5.00	3.75	2.75	4.00
10,000 to 25,000	0.78	7.87	0.75	0.75	12.00	6.00	8.00	7.50	3/4-10 UNC	8.00	6.00	6.00	8.00
50,000 to 75,000	0.78	9.25	1.00	1.00	16.25	6.50	9.00	11.50	1 1/4-7 UNC	12.00	9.50	6.50	9.00

## Shims, Stainless

	Part #	Price
<b>1,000 to 5,000 lb</b>		
0.0625	150852	\$7.00
0.125	150853	\$12.00
0.250	150854	\$18.00
<b>10,000 to 25,000 lb</b>		
0.0625	150855	\$19.00
0.125	150856	\$30.00
0.250	150857	\$65.00
<b>50,000 to 75,000 lb</b>		
0.0625	150858	\$27.00
0.125	150859	\$38.00
0.250	150861	\$79.00



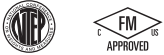
# MVS Mount/MVS

Mild Steel, Conversion Kit



Picture is a representation of actual product.

## Load Cell Approvals



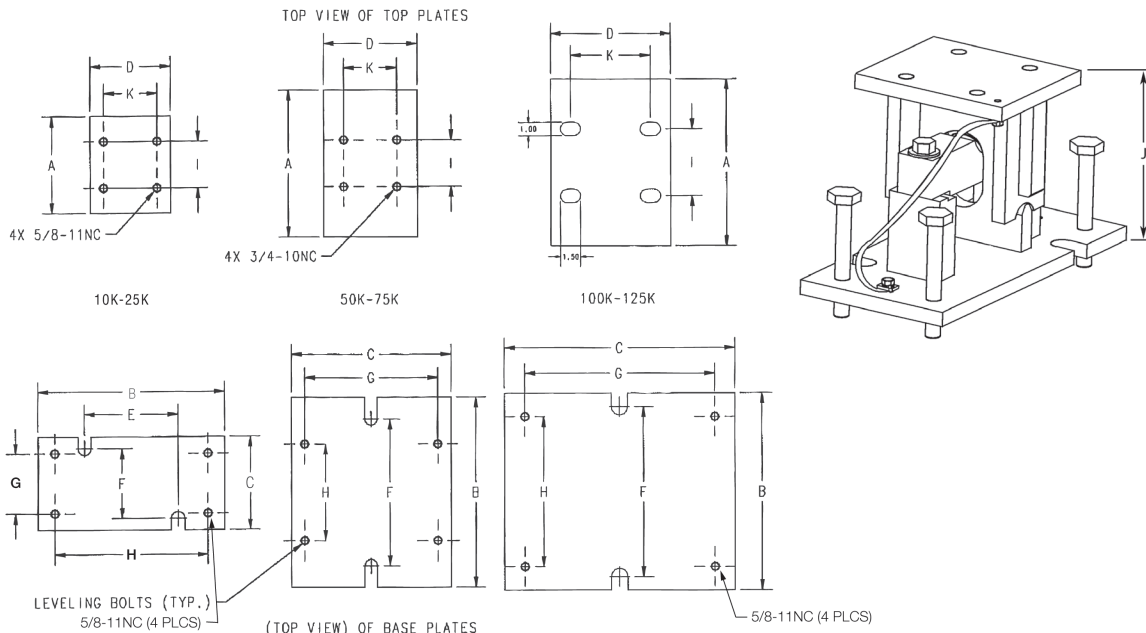
## Order Information

Load Rating (Per Module)	Part #	Price
<b>MVS Mount (Does NOT Include Load Cell)</b>		
10,000 to 25,000 lb	<b>71200</b>	\$725.00
50,000 to 75,000 lb	<b>46441</b>	\$865.00
100,000 to 125,000 lb	<b>68520</b>	\$1,475.00
<b>MVS Conversion Kits (Includes 75,000 lb* Load Cells, Mounts and Junction Box)</b>		
4-module kit	<b>68495</b>	\$7,505.00
6-module kit	<b>68496</b>	\$11,050.00
8-module kit	<b>68497</b>	\$15,020.00
10-module kit	<b>68498</b>	\$19,465.00
<b>Dummy Load Cell</b>		
50,000 to 75,000 lb	<b>169388</b>	\$175.00
100,000 to 125,000 lb	<b>159696</b>	\$212.00

Custom heights available; Consult  
\*Consult for other capacity requirements

## Dimensions

Rated Capacity	A	B	C	D	E	F	G	H	I	J	K
10,000 to 25,000	7.25	14.00	7.00	6.00	7.00	5.25	4.50	11.50	3.50	8.50	4.00
50,000 to 75,000	11.00	14.25	12.00	7.00	—	11.00	10.00	7.25	3.50	11.53	4.00
100,000 to 125,000	12.50	14.75	17.25	9.00	—	12.75	14.25	11.25	5.00	14.21	6.00



## Complete Kit Includes

- Four to ten MVS mild steel mounts with RL75058-LP 75,000 lb NTEP Certified alloy steel environmentally sealed double-ended beam load cells.
- One JB8SPT NEMA 4 Type signal trim junction box (JB1010 on 10 module kit)
- 100 ft of our hostile environment EL147HE SURVIVOR® load cell cable

## Standard Features

- Capacity (per module): 10,000 to 125,000 lb
- Mild steel construction
- Specially hardened center link
- Self-checking design
- Self-centering design
- Accommodates thermal expansion and contraction
- Compatible with VPG® Sensortronics® 65058 or VPG® Celtron® CLB

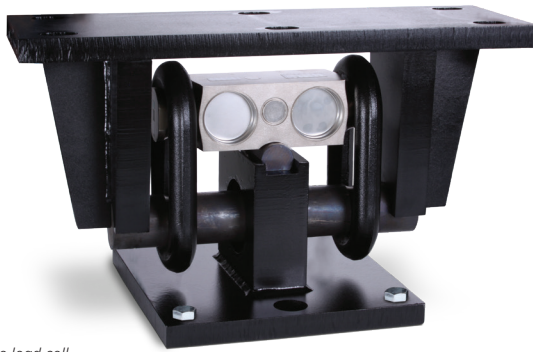
## Applications

- Truck scale conversion
- Heavy-capacity horizontal tanks

WEIGH MODULES

# Translink™ Parallel Link

Painted Mild Steel, Truck Scale Assembly



Mount only; does not include load cell.  
Picture is a representation of actual product.

## Standard Features

- Capacities (per module): 25,000 to 100,000 lb
- Painted mild steel construction
- Center-supported, end-loaded double-ended shear beam design
- Free movement in all directions in the horizontal plane with virtually no friction
- Links provide optimal loading conditions for the cell
- Completely self-centering
- Requires no check rods
- Utilizes cells with 3 mV/V output
- Compatible with Rice Lake RL75223 and RL75040, VPG® Revere 5223 and VPG® Sensortronics® 65040A load cells

## Applications

- Truck scale mount
- Heavy-capacity horizontal tanks

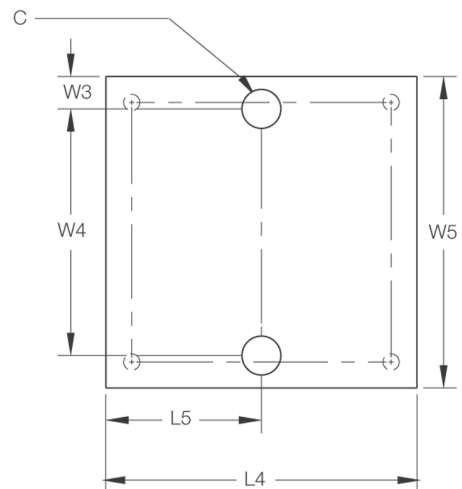
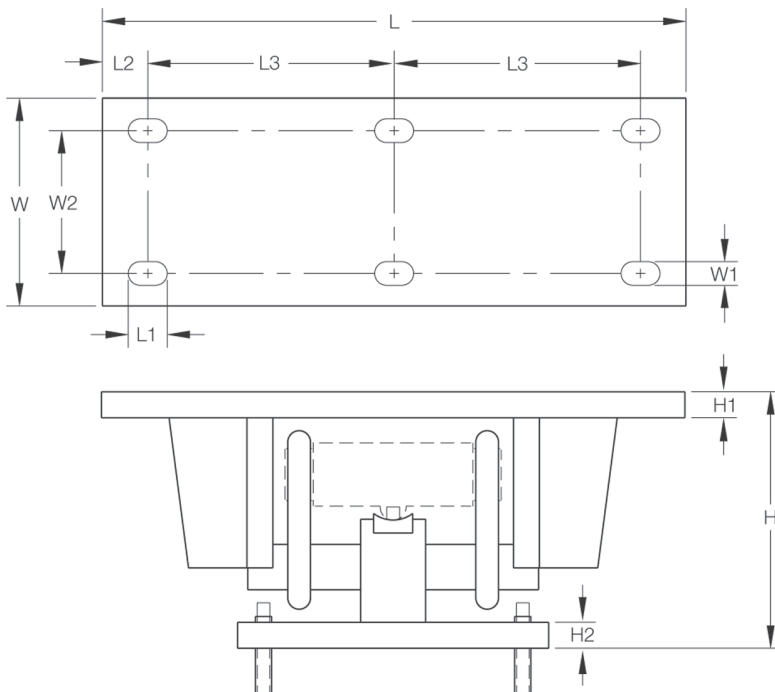
## Order Information

Load Rating (Per Module)	Part #	Price
<b>For Use With RL75223, 5223 Load Cells</b>		
50,000 to 100,000 lb	<b>17970</b>	\$885.00
<b>For Use With RL75040, 65040A Load Cells</b>		
25,000 to 40,000 lb	<b>17971</b>	\$885.00
50,000 to 75,000 lb	<b>17972</b>	\$885.00

Mount only; does not include load cell

## Dimensions

Rated Capacity	C	H	H1	H2	L	L1	L2	L3	L4	L5	W	W1	W2	W3	W4	W5
50,000 to 100,000 (RL75223, 5223)	1.50	12.93	1.00	1.00	22.50	1.50	1.75	9.50	11.75	5.88	7.75	0.91	5.25	1.25	9.25	11.75
25,000 to 40,000 (RL75040, 65040A)	1.50	9.88	1.00	1.00	18.50	1.50	1.75	7.50	11.75	5.88	7.75	0.91	5.25	1.25	9.25	11.75
50,000 to 75,000 (RL75040, 65040A)	1.50	12.82	1.00	1.00	22.50	1.50	1.75	9.50	11.75	5.88	7.75	0.91	5.25	1.25	9.25	11.75





# Motor Truck Scale Electronic Conversion Kit



Picture is a representation of actual product.

## Load Cell Approvals



## Order Information

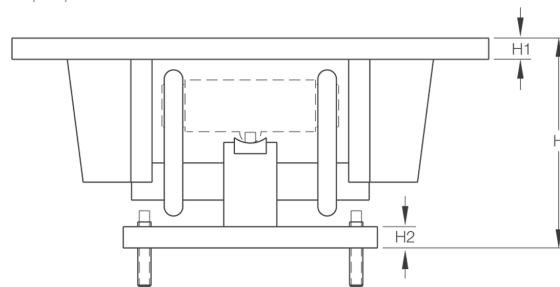
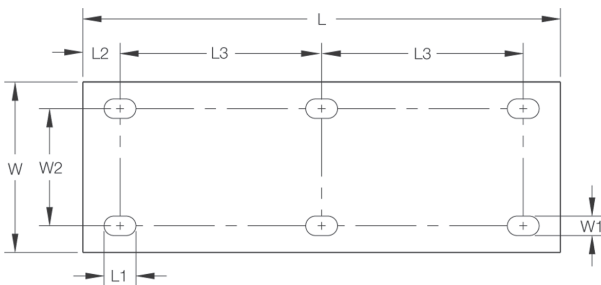
Load Cell Capacity (Per Module)	Part #	Load Cell Used In Kit	Price
<b>4-Module Kit</b>			
25,000 lb	<b>30513</b>	RL75040	\$6,324.00
40,000 lb	<b>30514</b>	RL75040	\$6,854.00
<b>6-Module Kit</b>			
50,000 lb	<b>30515</b>	RL75040	\$10,765.00
60,000 lb	<b>30516</b>	RL75040	\$10,765.00
<b>8-Module Kit</b>			
60,000 lb	<b>30517</b>	RL75040	\$13,899.00
75,000 lb	<b>30518</b>	RL75040	\$13,899.00
100,000 lb	<b>30512</b>	RL75223	\$16,787.00

SD refers to super duty, 100,000 lb capacity welded-seal load cells

## Dimensions

Rated Capacity	C	H*	H1	H2	L	L1	L2	L3	L4	L5	W	W1	W2	W3	W4**	W5
50,000 to 100,000 (RL75223)	1.50	12.93	1.00	1.00	22.50	1.50	1.75	9.50	11.75	5.88	7.75	0.91	5.25	1.25	9.25	11.75
25,000 to 40,000 (RL75040)	1.50	9.88	1.00	1.00	18.50	1.50	1.75	7.50	11.75	5.88	7.75	0.91	5.25	1.25	9.25	11.75
50,000 to 75,000 (RL75040)	1.50	12.82	1.00	1.00	22.50	1.50	1.75	9.50	11.75	5.88	7.75	0.91	5.25	1.25	9.25	11.75

\*Custom heights available; consult



## Complete Kit Includes

- Four, six or eight Translink mounting assemblies with NTEP Certified RL75040 or RL75223 welded-seal load cells
- One JB8SP NEMA Type 4X signal-trim junction box with individual and section trimming capability (six- and eight-mount kits) or one JB4SP NEMA Type 4X signal-trim junction box (four-mount kits)
- One UJB3T6 DC transient protector
- 100 ft of hostile environment EL147HE SURVIVOR® load cell cable

## Standard Features

- Capacity (per module): 25,000 to 100,000 lb
- Cost and time efficient installation; no need to remove weighbridge
- Converts existing scale capacities of 40,000 to 300,000 lb
- Four, six or eight-mount kits for two, three or four section conversions
- Translink™ heavy-capacity mounting assemblies
- Free movement in all directions in the horizontal plane with virtually no friction
- Completely self-centering
- Requires no check rods
- Compatible with VPG® Sensortronics® 65040A or VPG® Revere 5223 load cells

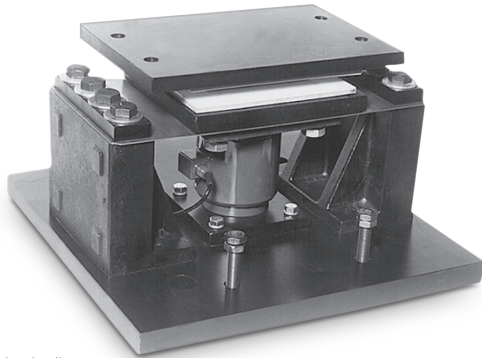
## Applications

- Updating existing mechanical motor truck scales
- Replacing unsatisfactory electronic motor truck scales
- Conversion of heavy-capacity scales into fully electronic vehicle scales where the existing scale cannot be removed

WEIGH MODULES

# MagnaMount™

Mount Assembly



Mount only; does not include load cell.  
Picture is a representation of actual product.

## Standard Features

- Capacities (per module): 50,000 lb, 100,000 lb and 200,000 lb
- Protects load cell from shock and side loads
- Low-profile design
- High-strength load bearing plate made of highgrade carbon steel hardened to Rockwell C 48-54
- PTFE coated shock absorbing pads
- Compatible with VPG® Revere CP and CSP and Rice Lake Weighing Systems RLCSP1 NTEP Certified load cells

## Applications

- Truck scale mount\*
- Heavy-capacity horizontal tanks\*
- Railroad track mount\*

## Order Information

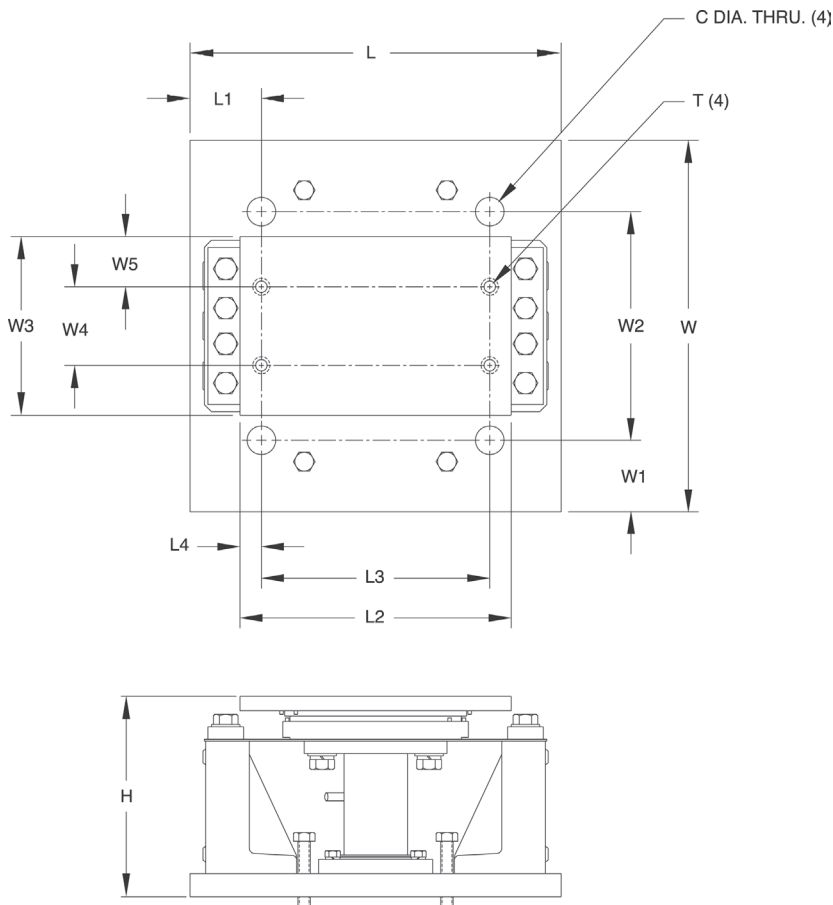
Load Rating (Per Module)	Part #	Price
50,000 lb	<b>21723</b>	\$2,225.00
100,000 lb	<b>21724</b>	\$2,650.00
200,000 lb	<b>17974</b>	\$4,595.00

Mount only; does not include load cell

\*Check rods required

## Dimensions

Rated Capacity	C	H	L	L1	L2	L3	L4	T	W	W1	W2	W3	W4	W5
lb/in														
50,000	1.25	7.39	13.00	1.75	11.25	8.50	1.37	3/4-10 UNC	12.00	1.75	8.50	8.00	4.50	1.75
100,000	1.50	11.29	20.00	2.25	18.00	15.50	1.25	7/8-9 UNC	17.00	2.50	12.00	9.00	5.50	1.75
200,000	2.00	14.10	26.00	5.00	19.00	16.00	1.50	1-8 UNC	26.00	5.00	16.00	12.50	5.50	3.50



WEIGH MODULES

# Mettler Toledo® DigiTOL® Retrofit Kit

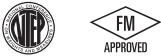
Stainless Steel, Rice Lake Weighing Systems/Flintec

## RC1 Load Cells



Shown here with the JB8SP signal trim junction box.  
Picture is a representation of actual product.

### Load Cell Approvals



## DigiTOL Retrofit Order information

Description	Part #	Price
8 mount kit, RC1-25 t (250kN) load cells, JB8SP junction box	<b>78713</b>	\$9,485.00
8 mount kit, RC1-25 t (250 kN) load cells, JB8SPT junction box	<b>224897</b>	\$9,895.00
10 mount kit, RC1-25 t (250 kN) load cells, two JB8SP junction boxes	<b>78714</b>	\$11,535.00
10 mount kit RC1-25 t (250 kN) load cells, JB8SPT junction box	<b>224898</b>	\$12,225.00
12 mount kit, RC1-25 t (250kN) load cells, JB8SP junction box	<b>152774</b>	\$14,225.00
12 mount kit RC1-25 t (250 kN) load cells, JB8SPT junction box	<b>224899</b>	\$14,900.00

## Complete Kit Includes

- Eight, ten or twelve Flintec® NTEP Certified stainless steel, hermetically sealed rocker column load cells
- Upper and lowers cups
- Grounding straps
- NEMA Type 4X signal trim junction boxes with transient protection
- 100 ft of hostile environment EL147HE SURVIVOR® load cell cable

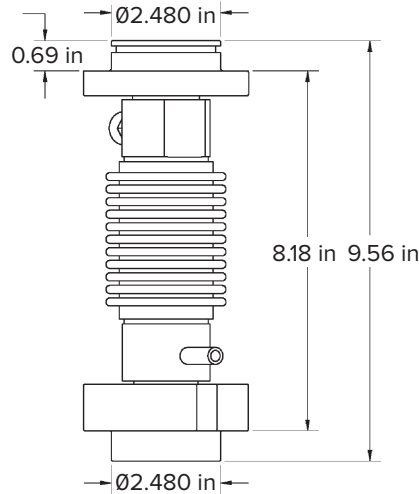
## Standard Features

- Load cells are NTEP Certified 1:10,000 divisions, Class III\*
- Converts existing Mettler Toledo DigiTOL scale to an analog based load cell weighing system
- One-year limited warranty

\*Consult your local Weights & Measures Authorities for local Legal for Trade requirements

## Applications

- Mettler Toledo DigiTOL truck scale conversion



RC1-25 t

WEIGH MODULES

# Mettler Toledo® DigiTOL® Retrofit Kit

Stainless Steel, Rice Lake Weighing Systems/Flintec

## RC3 Load Cells



Shown here with the JB8SP signal trim junction box  
Picture is a representation of actual product

### Load Cell Approvals



## DigiTOL Retrofit Order information

Description	Part #	Price
8 mount kit RC3-50 t load cells, two EL304A junction boxes (truck/truck combo)	<b>129844</b>	\$12,995.00
8 mount kit RC3-50 t load cells, two EL304A junction boxes (truck only)	<b>154347</b>	\$12,995.00
8 mount kit RC3-50 t load cells, one JB8SPT junction boxes (truck/truck combo)	<b>224900</b>	\$13,200.00
8 mount kit RC3-50 t load cells, one JB8SPT junction boxes (truck only)	<b>224901</b>	\$13,200.00
10 mount kit RC3-50 t load cells, two JB8SPT junction boxes (truck/truck combo)	<b>111367</b>	\$16,100.00
10 mount kit RC3-50 t load cells, three EL304A junction boxes (truck only)	<b>154348</b>	\$16,100.00
10 mount kit RC3-50 t load cells, two JB8SPT junction boxes (truck/truck combo)	<b>224902</b>	\$16,750.00
10 mount kit RC3-50 t load cells, two JB8SPT junction boxes (truck only)	<b>224903</b>	\$16,750.00
12 mount kit RC3-50 t load cells, three EL304A junction boxes (truck only)	<b>154349</b>	\$19,295.00
12 mount kit RC3-50 t load cells, two JB8SPT junction boxes (truck only)	<b>224904</b>	\$19,900.00

## Complete Kit Includes

- Eight, ten or twelve Flintec® NTEP Certified stainless steel, hermetically sealed rocker column load cells
- Upper and lowers cups
- Grounding straps
- NEMA Type 4X signal trim junction boxes with transient protection
- 100 ft of hostile environment EL147HE SURVIVOR® load cell cable

## Standard Features

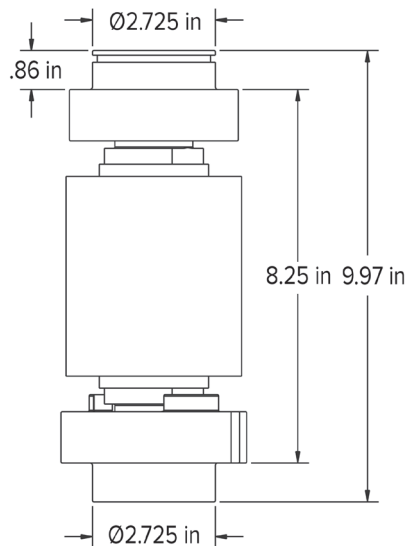
- Load cells are NTEP Certified 1:10,000 divisions, Class IIII\*
- Converts existing Mettler Toledo DigiTOL scale to an analog based load cell weighing system
- One-year limited warranty

\*Consult your local Weights & Measures Authorities for local Legal for Trade requirements

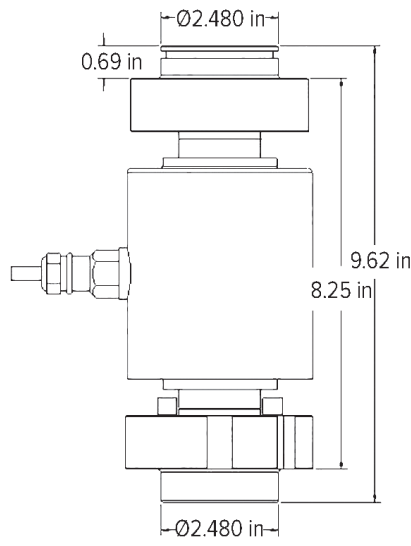
## Applications

- Mettler Toledo DigiTOL truck scale conversion

WEIGH MODULES



RC3-50 t  
TRACK



RC3-50 t  
TRUCK

# Rice Lake Analog Retrofit Kit

Stainless Steel, Analog Load Cells for B-Tek Digital Conversion to Analog

## RL82021-40t Load Cells



Shown here with the EL304A signal trim junction box. Picture is a representation of actual product.

### Load Cell Approvals



### Complete Kit Includes

- Eight or ten Rice Lake NTEP Certified stainless steel, hermetically sealed, rocker column load cells
- Upper and lower cups
- Grounding Straps
- NEMA Type 4X signal trim junction boxes with transient protection
- 100 ft of hostile environment EL147HE SURVIVOR® load cell cable

### Standard Features

- Load cells are NTEP Certified 1:10,000 divisions, Class III\*
- Converts B-TEK digital CPD-M scales to analog
- Load cells have built-in surge protection and rated to IP69K
- Stainless steel overbraid cable
- Two-year limited warranty

\*Consult your local Weights & Measures Authorities for local Legal for Trade requirements

### Applications

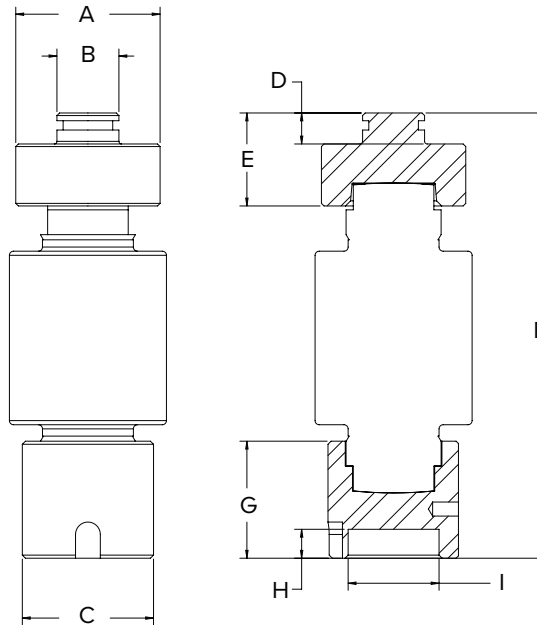
- B-TEK digital truck scale conversion

### Digital Retrofit Order information

Description	Part #	Price
8 mount kit RL82021-40 t load cells, two EL304A junction boxes	<b>216423</b>	\$7,795.00
10 mount kit RL82021-40 t load cells, three EL304A junction boxes	<b>216424</b>	\$9,875.00

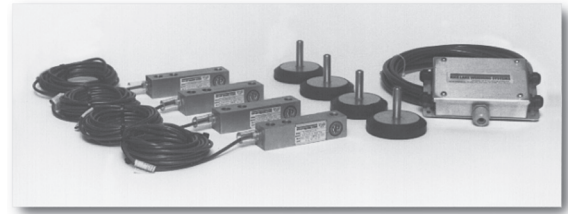
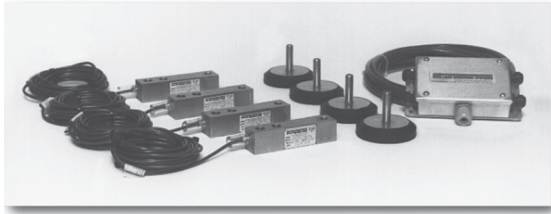
### Dimensions

Analog Load Cells	
A	Ø2.75 in (70 mm)
B	Ø1.18 in (30 mm)
C	Ø2.50 in (64 mm)
D	0.59 in (15 mm)
E	1.77 in (45 mm)
F	8.48 in (215 mm)
G	2.23 in (57 mm)
H	0.55 in (14 mm)
I	Ø1.73 in (44 mm)



WEIGH MODULES

# Electronic Floor Scale Underdeck Kits



Underdeck kits are provided to meet the application needs of the electronic floor scale producer and are an easy source for rebuilding existing floor scales. Underdeck kits are provided with mounting plates and load cell bolts for easy installation.

## Economical Kit

### Kit Includes

- (4) VPG® Celtron SQB alloy steel NTEP Certified 5,000 d, Class III load cells
- (1) JB4SS stainless steel NEMA Type 4X junction box
- (4) SureFoot® high-accuracy stainless steel support feet
- 20 ft EL147HE load cell cable
- (4) mounting plates and (8) load cell bolts

## Order Information

Scale Base Capacity	Part #	Price
1,000 lb for 2,000 lb base	<b>26436</b>	\$980.00
2,500 lb for 5,000 lb base	<b>26437</b>	\$980.00
4,000 lb for 10,000 lb base	<b>26438</b>	\$980.00

## Chemical, Dry Corrosive & Non-Washdown Applications Kit

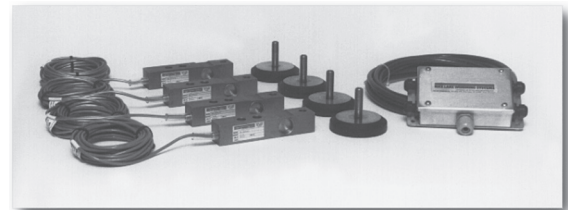
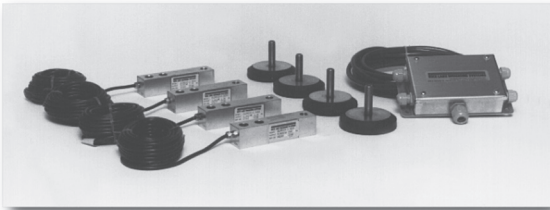
### Kit Includes

- (4) VPG® Celtron SQB-HSS stainless steel NTEP Certified 5,000 d, Class III load cells
- (1) JB4SS stainless steel NEMA Type 4X junction box
- (4) SureFoot® high-accuracy stainless steel support feet
- 20 ft EL147HE load cell cable
- (4) mounting plates and (8) load cell bolts

## Order Information

Scale Base Capacity	Part #	Price
1,000 lb for 2,000 lb base	<b>19035</b>	\$1,378.00
2,500 lb for 5,000 lb base	<b>19036</b>	\$1,378.00
4,000 lb for 10,000 lb base	<b>19037</b>	\$1,378.00

WEIGH MODULES



## Standard Precision Applications Kit

### Kit Includes

- (4) Rice Lake RL32018 alloy steel NTEP Certified 5,000 d, Class III load cells
- (1) JB4SS stainless steel NEMA Type 4X junction box
- (4) SureFoot high-accuracy stainless steel support feet
- 20 ft EL147HE load cell cable
- (4) mounting plates and (8) load cell bolts

NOTES: The use of NTEP Certified load cells in a scale base does not constitute approval of the completed base. Consult with local or state jurisdiction for compliance requirements.

## Order Information

Scale Base Capacity	Part #	Price
1,000 lb for 2,000 lb base	<b>19032</b>	\$1,060.00
2,500 lb for 5,000 lb base	<b>19033</b>	\$1,060.00
4,000 lb for 10,000 lb base	<b>19034</b>	\$1,060.00

## Wet Applications Kit

### Kit Includes

- (4) Rice Lake RL32018S-HE welded-seal stainless steel NTEP Certified 5,000 d, Class III load cells
- (1) JB4SS stainless steel NEMA Type 4X junction box
- (4) SureFoot® high-accuracy stainless steel support feet
- 20 ft EL147HE load cell cable
- (4) mounting plates and (8) load cell bolts

## Order Information

Scale Base Capacity	Part #	Price
1,000 lb for 2,000 lb base	<b>19038</b>	\$1,706.00
2,500 lb for 5,000 lb base	<b>19039</b>	\$1,706.00
4,000 lb for 10,000 lb base	<b>19040</b>	\$1,706.00

# Rice Lake Weighing Systems

## TABLE OF CONTENTS

### S-BEAMS

Page 96

#### RL20000I, ALLOY STEEL



Ideally suited for scale conversions and general-purpose weighing. Compact and rugged design. Capacities range from 25 lb to 20,000 lb, with cable lengths available in 20 ft, 30 ft or 35 ft.



Page 97

#### RL20000SS, STAINLESS STEEL



For suspended applications or mechanical scale conversions, this model provides the additional protection of stainless steel necessary in dry, corrosive environments. Available in capacities ranging from 50 lb to 20,000 lb.



Page 98

#### RL20000ST, STAINLESS STEEL



Ideally suited for suspended applications or mechanical scale conversions. The stainless steel design provides additional protection in dry, corrosive environments. The extremely miniature envelope is suitable for a wide variety of weighing applications in tension or compression. Capacities available from 50 lb to 5,000 lb, each comes with 20 ft of polyurethane cable.



Page 99

#### RL20001I, ALLOY STEEL



Suited for scale conversions, tension applications and general-purpose weighing. Compact and rugged design. Capacities range from 250 lb to 20,000 lb. Complete with 20 ft of load cell cable.



Page 100

#### RL20001HE, STAINLESS STEEL



A full stainless steel, welded-seal, S-beam featured in our ITCM HE products, and it is ideal for the harshest tension mounting applications. NTEP Certified capacities range from 500 lb to 5,000 lb; non-NTEP Certified capacity of 10,000 lb.



Page 101

#### RLETS, ALLOY STEEL



Ideally suited for scale conversions and general-purpose weighing. OIML approved and metric envelope capacities range from 250 kg to 2,500 kg. Complete with 6 m of load cell cable.



### SINGLE-ENDED BEAMS

Page 102

#### RL32022, ALLOY STEEL



The RL32022 is a metric version of the RL32018 load cell. Constructed of alloy steel and sealed to IP67 standards. OIML approved capacities range from 300 kg to 2,000 kg. Complete with 5 m of load cell cable.



# Rice Lake Weighing Systems

## SINGLE-ENDED BEAMS

Page 103

### RL32022-S, STAINLESS STEEL



This stainless steel load cell is the metric version of the RL32018S. Sealed to IP67 standards, load cell capacities range from 300 kg to 5,000 kg. OIML approved and comes with 5 m of cable.



Page 104

### RL32018, ALLOY STEEL



An alloy steel single-ended beam cell offered from 250 lb to 20,000 lb. Each load cell has 20 ft of cable and is FM approved and NTEP Certified from 500 lb to 10,000 lb.



Page 105

### RL32018, MLC COATED ALLOY STEEL



This is a multi-layer coated (MLC) alloy steel single-ended beam load cell offered from 1,000 lb to 20,000 lb. Each load cell has 20 ft of cable and is FM approved. It is NTEP Certified from 1,000 lb to 10,000 lb and is ideal for fertilizer applications.



Page 106

### RL32018S, STAINLESS STEEL



Available in capacities from 250 lbs to 20,000 lbs. Sealed to IP66 standards, each cell includes 20 ft of cable and is FM approved. NTEP Certified from 500 lb to 10,000 lb.



Page 107

### RL32018S-P, STAINLESS STEEL



Sealed to IP69K, it has a 3 mV output and is FM approved. Available in capacities from 1,000 lb to 10,000 lb. Comes complete with 20 ft of PTFE cable.



Page 108

### RL32018S-HE, STAINLESS STEEL



A hermetically sealed, stainless steel single-ended beam load cell with 20 ft of PTFE jacketed cable for protection in harsh environments. Sealed to IP69K standards, this cell is 3 mV/V and NTEP Certified from 500 lb to 10,000 lb.



Page 109

### RL32019S-HE, STAINLESS STEEL



A stainless steel single-ended beam with 2 mV/V and 30 ft of PTFE jacketed cable. Hermetically sealed to IP69K for tough environments. Available from 1,000 lb to 10,000 lb.



Page 110

### RL32218S-HE, STAINLESS STEEL



Available in capacities from 1,000 lb to 10,000 lb, this model is hermetically sealed and comes complete with either 20 ft of PTFE cable or 30 ft of rodent protection cable.



Page 111

### RL9018SS, STAINLESS STEEL



Hermetically sealed with an IP68/IP69K rating, this stainless steel, single-ended beam load cell has NTEP Certified for capacities from 5 kg to 500 kg. Comes with 3 m of cable.





## SINGLE-ENDED BEAMS

Page 112

### RL30000I, ALLOY STEEL



This threaded hole, single-ended beam is designed for low-profile scales and process applications. NTEP Certified cells in capacities ranging from 1,000 lb to 10,000 lb. Non-NTEP Certified cells in 250 lb, 500 lb and 20,000 lb capacities. Complete with 20 ft of load cell cable.



Page 113

### RL30002, ALLOY STEEL



Single-ended beam designed for low-profile scales and process applications. NTEP Certified cells in capacities ranging from 1,000 lb to 5,000 lb SE. Complete with 20 ft of load cell cable.



Page 114

### RLH35, STAINLESS STEEL



Stainless steel construction and integral mounting foot as well as dimensional and electrical interchangeability with several load cell manufacturers. Available in a 500 lb capacity with 20 ft of load cell cable.



Page 115

### RL39123, STAINLESS STEEL



Single-ended beam in stainless steel. Designed for low-profile scales and process applications. Capacities range from 250 lb to 10,000 lb. Complete with 20 ft or 30 ft of load cell cable.



Page 116

### RL32018S-T, STAINLESS STEEL



Replacement for the RL30745 load cell used in RLTM weigh modules and for the Mettler Toledo® model 745. Complete with 15 ft or 30 ft cable. NTEP Certified and FM approved. Capacities available from 500 lb to 10,000 lb.



Page 117

### RL35023S, MLC COATED STAINLESS STEEL



A version of the RL35023S stainless steel load cell but with the added protection of a proprietary coating. This coating protects the load cell element in dry chemical applications that would normally cause standard stainless steel load cells to fail. Capacities available from 1,000 lb to 10,000 lb.



Page 118

### RLHTO, STAINLESS STEEL



Low profile, hermetic sealing and high accuracy makes the RLHTO suitable for low-profile platforms, pallet truck weighers, tanks and silos. Capacities available from 500 kg to 5,000 kg.



Page 119

### RLSSB, STAINLESS STEEL



Rugged and precise single-ended beam offers welded-seal protection and stainless steel construction. Designed for use in the most hostile environments. Applications include platform scales, materials testing and process weighing. Capacities range from 1,000 lb to 10,000 lb. Complete with 15 ft of load cell cable.



Page 120

### RLSB250/RLSB250T, STAINLESS STEEL



Interchangeable with Cardinal® SB2500. Stainless steel construction with welded seal. NTEP Certified capacity of 2,500 lb to 10,000 lb available. Comes complete with 15 ft or 20 ft of load cell cable.



# Rice Lake Weighing Systems

## SINGLE-ENDED BEAMS

Page 121

### RL50219SS, STAINLESS STEEL



A direct replacement for the RL50210SS stainless cantilever beam cell. It is an IP65 and comes with 20 ft of cable. Used in the RL50210SS-TA weigh modules in capacities from 25 lb to 500 lb.

Page 122

### RL50210, ALLOY STEEL



Designed for tension or compression loading applications. Capacities range from 25 lb to 500 lb. Complete with 20 ft of load cell cable.



Page 123

### RL40BBS, ALLOY STEEL



Designed for precision force and weight measurement. Capacities range from 50 lb to 2,500 lb. Complete with 10 ft of load cell cable.

Page 124

### RL32011WB-L, STAINLESS STEEL



A Legal for Trade link-style replacement for the Avery Weigh-Tronix® Weigh Bar®. Stainless steel construction and IP67 rating for a variety of floor scale, mount assembly and truck scale designs. Standard capacities range from 1,250 lb to 10,000 lb.



Page 125

### RL32011WB-T, STAINLESS STEEL



A direct replacement for the threaded style Avery Weigh-Tronix Weigh Bar, with improved stainless steel construction and a potted IP67 housing. Available in 1,250 lb or 2,500 lb capacities.



## DOUBLE-ENDED BEAMS

Page 126

### RL72020, ALLOY STEEL



An alloy steel, double-ended beam load cell ideal for truck, tank and hopper applications. Complete with 30 ft of load cell cable and available in capacities of 5,000 lb to 250,000 lb.



Page 127

### RL72020SS, STAINLESS STEEL



A stainless steel, double-ended beam load cell with an environmental seal and NTEP Certified. Available in capacities of 5,000 to 150,000 lb and complete with 30 ft of cable.



Page 128

### RL72020, MLC COATED ALLOY STEEL



This multi-layer coated (MLC) alloy steel, double-ended beam load cell has capacities from 5,000 lb to 250,000 lb. Each load cell has 30 feet of cable and is ideal for fertilizer, tank, and hopper applications.



## DOUBLE-ENDED BEAMS

Page 129

### RL72019SS, STAINLESS STEEL

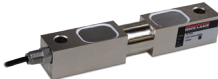


A direct replacement for the RL72010MH load cell. It is stainless steel and has a welded seal. Complete with 25 ft of cable and is available in capacities from 5,000 lb to 60,000 lb.



Page 130

### RL77032, ALLOY STEEL



Designed for tank and hopper applications. An alloy steel double-ended beam load cell with center loading. Capacities range from 1,000 lb to 75,000 lb. The load cell comes with 25 ft of load cell cable.



Page 131

### RL77032SS, STAINLESS STEEL



Double-ended beam with center loading. Designed for tank and hopper applications. Stainless steel provides protection against corrosive materials. Capacities range from 1,000 lb to 75,000 lb. Complete with 25 ft of load cell cable.



Page 132

### RL77032SS HE, STAINLESS STEEL



Double-ended beam with center loading. Designed for tank and hopper applications. Stainless steel construction and hermetic sealing provide protection in hostile environments. Capacities range from 1,000 lb to 75,000 lb. Complete with 25 ft of load cell cable.



Page 133

### RL75016, ALLOY STEEL



Designed for tank and hopper applications. An alloy steel double-ended beam load cell with center loading. Capacities range from 1,000 lb to 75,000 lb. The load cell comes with 25 ft of load cell cable.



Page 134

### RL75016, MLC COATED ALLOY STEEL



A version of the RL75016 load cell but with multi-layer coating (MLC) for extra protection in dry chemical applications. Has a coated double-ended beam with center loading designed for tank and hopper applications. Capacities range from 1,000 lb to 75,000 lb. Complete with 25 ft of load cell cable.



Page 135

### RL75016SS, STAINLESS STEEL



Double-ended beam with center loading. Designed for tank and hopper applications. Stainless steel provides protection against corrosive materials. Capacities range from 1,000 lb to 75,000 lb. Complete with 25 ft of load cell cable.



Page 136

### RL75016SS-W, STAINLESS STEEL



A double-ended beam, stainless steel load cell designed for tank and hopper applications. Capacities range from 5,000 lb to 25,000 lb.

# Rice Lake Weighing Systems

## DOUBLE-ENDED BEAMS

Page 137

### RL75016WHE, STAINLESS STEEL



Double-ended beam with center loading. Designed for tank and hopper applications. Stainless steel construction and hermetic sealing provide protection in hostile environments. Capacities range from 1,000 lb to 25,000 lb. Complete with 25 ft of load cell cable.



Page 138

### RL75058I, FOR RICE LAKE COIL SCALE



Nickel plated and environmentally sealed with stainless steel side plates. Used in the Rice Lake Weighing Systems coil scale. 20,000 lb to 75,000 lb, complete with 35 ft of load cell cable.



Page 139

### RL75058-LP, ALLOY STEEL



Nickel plated, high-alloy steel load cell with built-in lightning protection. Available in capacities from 10,000 lb to 125,000 lb. Sealed to IP67, it has a 3 mV/V output and is FM approved and NTEP Certified.



Page 140

### RL75058S-LP, STAINLESS STEEL



A stainless steel, hermetically sealed load cell with built-in lightning protection. It is available in capacities 10,000 lb to 125,000 lb with an IP68/IP69K rating.



Page 141

### RL75060S, STAINLESS STEEL



Provides durability and accuracy in high-capacity process measurement and control. Ideal for vehicle weighing in hostile environments. Units are NTEP certified and available in 100,000 lb capacity with 35 ft of cable and 25,000 lb with 60 ft of cable.



Page 142

### RL75223, ALLOY STEEL



High performance end-loaded, center-supported shear beam. Designed for low-profile truck and track scales in harsh environments. Welded seal provides superior protection. Parallel link loading provides free movement in all horizontal directions. Compatible with Translink Mounts. Capacities range from 50,000 lb to 100,000 lb.



Page 143

### RLDB50000S, STAINLESS STEEL



Stainless steel, welded-seal load cell designed as an interchangeable load cell for the Cardinal® DB50000S. It is NTEP Certified for 10,000 divisions and has 35 ft of cable standard. Available in 50,000 lb capacity.



Page 144

### RL75040, ALLOY STEEL



Double-ended beam load cell. Nickel plated and environmentally sealed with stainless steel plates. Designed for center mounting and double link loading, compatible with Unilink/Translink suspension up to 75,000 lb. Capacities range from 25,000 lb to 125,000 lb. Complete with 35 ft of load cell cable. Optional 40 ft or 50 ft cable available with some capacities.



## COMPRESSION CANISTERS

Page 145

### RLCSP1, STAINLESS STEEL



Welded-seal, stainless steel canister cell designed for vehicle and process applications. High capacity load cell is built for reliability, durability and extreme precision. Ideal for applications where optimal precision and durability are needed. Capacities range from 25,000 lb to 200,000 lb. Complete with 35 ft or 80 ft of load cell cable.



Page 146

### RL8C2P1SST, STAINLESS STEEL



Single-column design with low deflection; hermetically sealed for trouble-free operation. Stainless steel for use in harsh environments. Compact and rugged. Capacities of 50k, 100k and 200k. Complete with 35 ft of load cell cable.



## ROCKER COLUMN

Page 147

### RL82021, STAINLESS STEEL



The RL82021 is a stainless steel, hermetically sealed rock- style load cell. It features built- in lightning protection and stainless over braid cable. It is available in 30t and 40t capacities with 18m of cable.



Page 148

### RLSCA-50K, STAINLESS STEEL



A replacement for Cardinal® SCA products. Features stainless steel construction and welded sealing to provide IP67 environmental protection. Includes a load cell and two retrofit cups that allow match up with various field applications. NTEP Certified. Provides easy installation and access. Available in a 50,000 lb package, comes with 30 ft of standard load cell cable.



Page 149

### RL70510/RL80453, STAINLESS STEEL



Replacements for the Fairbanks Scales® 70510 and 80453 rocker cells found in many truck scales. Stainless steel and hermetically sealed.



Page 150

### RL75114-50K, STAINLESS STEEL



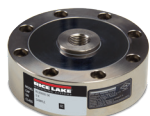
Stainless steel, hermetically sealed rocker column designed to interchange with the Fairbanks part number 64166. Comes with 30 ft of overbraid cable to protect it from abrasion and pests. NTEP Certified.



## COMPRESSION DISK

Page 151

### RL90000, ALLOY STEEL



Environmentally sealed low-profile compression disk. Models with capacities of 5,000 lb and 10,000 lb can also be used in tension loading applications. Shear web design provides excellent performance and its low profile makes it ideal for applications where height is critical. Capacities range from 5,000 lb to 100,000 lb. Complete with 50 ft of load cell cable.

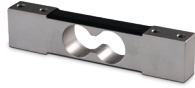


# Rice Lake Weighing Systems

## SINGLE POINTS

Page 152

### RLPC3SS, STAINLESS STEEL



Stainless steel, environmentally sealed single-point ideally suited for bench scales. NTEP certified and OIML approved with capacities from 7 kg to 150 kg, 10 ft of cable standard.



Page 153

### RLPC4SS-HE, STAINLESS STEEL



Stainless steel hermetically sealed single-point designed for bench scales used in washdown applications. Available in capacities from 10 kg to 100 kg. NTEP Certified and OIML approved.



Page 154

### RLPC6, STAINLESS STEEL



Stainless steel, hermetically sealed single-point load cell ideal for wet environments. NTEP Certified and comes with 10 ft of cable. Capacity from 10 kg to 200 kg.



Page 155

### RLPWM15HE, STAINLESS STEEL



Hermetically sealed, stainless steel, single-point load cell. Available in capacities ranging from 10 kg to 100 kg. NTEP Certified and comes complete with 2.83 ft or 10 ft of load cell cable.



Page 156

### RLPWM15, STAINLESS STEEL



Environmentally sealed and replaces the HBK® PW15 for many bench scale types. Comes in a range of capacities from 10 kg to 100 kg. NTEP certified and FM approved.



Page 157

### RLPCBC-60, STAINLESS STEEL



Stainless steel, hermetically sealed, single-point load cell that can be used in wet environments. NTEP Certified and comes complete with 10 ft of load cell cable. Capacity ranges from 50 kg to 1,000 kg.



Page 158

### RL1521A, ALUMINUM



Low-profile single-point load cell designed for electronic bench scales and platform scales. A replacement for the VPG® BLH® and NMB C2G1, capacities range from 3 kg to 35 kg.



Page 159

### RL1010, ALUMINUM



Off-center loading load cell designed for long-lasting, durable mounting of the weighing platform. Load cells with potted cavities are available for improved performance in damp environments. Potted model capacities range from 7 kg to 90 kg with 10 ft of load cell cable. Unpotted model capacities range from 3 kg and 5 kg with 3 ft of load cell cable. NTEP Certified from 10 kg to 50 kg.



## SINGLE POINTS

### Page 160

### RLSP4, ALUMINUM



A low-profile, off-center load cell designed for retail, postal and platform scale applications. Manufactured from aluminum, moment compensated for optimal accuracy and protected by a quality gauge coating compound that provides a barrier against high humidity environments. Available in capacities ranging from 7 kg to 100 kg, and comes standard with 10 ft of load cell cable.



### Page 161

### RLPWM12, ALUMINUM



The RLPWM12 is ideal for platform, hanging scales and other low-capacity beam applications. An aluminum, single point load cell with capacities 500 kg and 1000 kg available, this load cell is NTEP Certified. Complete with 10 ft of load cell cable.



### Page 162

### RLPWM16, ALUMINUM



A single point, aluminum load cell in a 75 kg capacity. This load cell has a potted cavity and offers excellent performance in damp environments. Complete with 10 ft of load cell cable.



### Page 163

### RL1042, ALUMINUM



A low-profile single point for platform weighing, this model is constructed of aluminum, and is a two-beam design. This design offers high immunity to side forces and is specially coated to provide humidity resistance. The unit is available in 1 kg capacity. Complete with 10 ft of load cell cable.



### Page 164

### RL1040, ALUMINUM



The RL1040 maintains long-term stability and durability. Potted cavities provide improved performance in damp environments. NTEP Certified capacities range from 5 kg to 100 kg. Complete with 10 ft of load cell cable.



### Page 165

### RL1140, STAINLESS STEEL



A single-point cell constructed of stainless steel. Ideal for platform scales, packaging and process weighing equipment. Capacities range from 15 kg to 150 kg. Complete with 10 ft of load cell cable.



### Page 166

### RL1380, STAINLESS STEEL



Designed for high performance in wet environments, these single-point cells provide an excellent option when stainless steel is required for an application. Available in capacities ranging from 7 kg to 60 kg. Complete with 10 ft of load cell cable.



### Page 167

### RL1385, STAINLESS STEEL



Low-profile, off-center loading load cell. Designed for direct mounting of a weighing platform, hanging scales and other low-capacity beam applications. Stainless steel construction with a humidity-resistant protective coating provides long-term stability, even in harsh environments. Potted cavities provide improved performance in damp environments. Capacities range from 10 kg to 200 kg. Complete with 10 ft of load cell cable.



# Rice Lake Weighing Systems

## SINGLE POINTS

Page 168

### RL260FD, STAINLESS STEEL

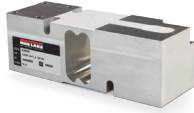


A Rice Lake fluid dampened load cell. The stainless steel housing and standard breather tube provide excellent protection in most applications. Available from 2 kg to 50 kg capacities. NTEP Certified and FM approved.



Page 169

### RL26018A, ALUMINUM



Ideal for bench scales. Comes in capacities from 50 kg to 635 kg. NTEP and FM approved and is environmentally sealed to IP67. Complete with 10 ft of cable.



Page 170

### RL1218A, ALUMINUM

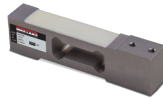


A high-capacity, off-center loading load cell. Weighs loads from 50 kg to 1,000 kg. Features potted cavities that offer excellent performance in damp environments.



Page 171

### RL42018A, ALUMINUM



An aluminum, IP66 single-point load cell. Available in capacities ranging from 3 kg to 100 kg and has NTEP Certified and FM approvals. 10 ft of cable included.



Page 172

### RLFLS, STAINLESS STEEL



Interchangeable with the Avery Weigh-Tronix® FLS, Rice Lake's single-point RLFLS is a solid choice for many bench scale applications. The potted RLFLS is stainless steel and rated at IP67, available in a 50 lb capacity.

## PLANAR BEAMS

Page 173

### RLBLP, ALUMINUM



Very low-profile aluminum sensor that can be used in bench scales in low-profile floor scales. Available in capacities ranging from 15 kg to 150 kg.

## TENSION LINK

Page 174

### RL2010 TENSION LINK



Ranges in capacities of 5,000 lb to 500,000 lb. Constructed of stainless steel. Ideal for unique tension applications.



MSI

Page 175

## MSI LOAD PIN SENSORS



A key component of MSI's integrated overhead weighing solutions is the Load Pin Sensor. Typically designed and manufactured specifically to each integrated solution, the MSI load pin is strictly industrial grade. Each load pin design is precision machined from 17-4 stainless steel for safety, strength and corrosion resistance.

Page 176

## MSI LOAD PIN QUESTIONNAIRE

The MSI Load Pin Questionnaire must be completed prior to quoting. An accurately completed questionnaire will ensure a proper installation with the highest accuracy.

Page 177

## MSI TENSION LINK



The MSI Tension Link integrates between a crane block and lifting equipment to provide force measurement for lifted items, making it an ideal integration for cranes. The MSI Tension Link features a 7:1 safety factor for compliance with industrial and military safety requirements.

Page 178

## MSI CLAMP-ON



The MSI Clamp-on load cell is a durable solution for measuring wire rope tension, providing dependable overload detection and prevention for overhead cranes and hoists. Available in two envelopes to accommodate most common wire ropes, 3/8 inch to 1/2 inch and 9/16 inch to 3/4 inch, the MSI Clamp-on installs quickly and easily to the wire rope dead end. Weight-based setpoints can be used to communicate with crane electronics providing operator alerts and safety shutoffs based on unsafe load conditions.

# RL20000I

Alloy Steel, Environmentally Sealed, NTEP Certified 1:5,000 III/1:10,000 IIII, IP67



Picture is a representation of actual product.

### Approvals



### Order Information

Load Rating	Part #	Est. Weight	Price
25 lb	21428	2 lb	\$290.00
50 lb	21429	2 lb	\$290.00
75 lb	21430	2 lb	\$290.00
100 lb	21431	2 lb	\$290.00
150 lb	21432	2 lb	\$290.00
200 lb	21433	2 lb	\$290.00
250 lb	21434	2 lb	\$290.00
300 lb	21435	2 lb	\$290.00
500 lb	21436	2 lb	\$290.00
750 lb	21437	2 lb	\$290.00
1,000 lb	21438	2 lb	\$290.00
1,500 lb	21439	2 lb	\$290.00
2,000 lb***	21356	2 lb	\$358.00
2,000 lb	21440	2 lb	\$290.00
2,500 lb	21441	2 lb	\$290.00
3,000 lb	21442	4 lb	\$334.00
5,000 lb***	17044	4 lb	\$505.00
5,000 lb	21443	4 lb	\$466.00
10,000 lb	21444	4 lb	\$466.00
15,000 lb	21445	7 lb	\$588.00
20,000 lb***	17045	17 lb	\$993.00
20,000 lb	21446	17 lb	\$927.00
<b>Conduit Adapter Kit* (must be factory installed to maintain warranty)</b>			
3/8-24 nipple	31533*	1 lb	\$37.00
3/8-24 to 1/4-18 NPT	31534*	1 lb	\$37.00
<b>Replacement Agriculture Scale Load Cell - 40 ft Cable</b>			
10,000 lb	151746	5 lb	\$493.00

\*PN 31533 and PN 31534 must be installed together to form the Conduit Adapter Kit

\*\*\*These load cells have 30ft or 35ft of cable and trimmed outputs and are used in many batch plants

### Dimensions

Rated Capacity	A	B	C	D	E
lb/in					
25 to 300	1/4-28 UNF	0.75	0.50	2.00	2.50
500 to 1,500	1/2-20 UNF	1.00	0.75	2.00	2.50
2,000 to 2,500	1/2-20 UNF	1.25	1.00	2.00	2.50
3,000	1/2-20 UNF	1.25	1.00	3.00	4.00
5,000 to 10,000	3/4-16 UNF	1.25	1.00	3.00	4.00
15,000	1-12 UNF	1.50	1.25	4.00	5.50
20,000	1 1/4-12 UNF	2.25	2.00	5.00	7.00

### Interchangeable Products

ARTECH®

**20210 (1-14 UNF)** (15,000 lb thread is 1-12 UNF for Rice Lake model)

### Weigh Module Available

RICE LAKE WEIGHING SYSTEMS

**ITCM Isolated**

**Tension Cell Mount..... page 38**

### Specifications

**Full Scale Output:**

3.0 mV/V

**Output Resistance:**

350 (± 3) ohm

**Input Resistance:**

385 (± 5) ohm

**Material/Finish:**

High-alloy steel, nickel plated

**Temperature:**

Compensated: 14 °F to 104 °F (-10 °C to 40 °C)

Operating: 0 °F to 150 °F (-18 °C to 65 °C)

**Seal Type:**

Environmentally sealed, IP67

**Safe Overload:**

150% full scale

**Rated Excitation:**

5 to 10 VDC (15 V maximum)

**Combined Error:**

0.02% full scale

**Insulation Resistance:**

5,000 megohm

**Cable Length:**

20 ft

30 ft (pn 17044 and 17045)

35 ft (pn 21356)

**Cable Diameter:**

0.200 in

Polyurethane jacket

**Cable Color Code:**

Red +Excitation

Black -Excitation

Green +Signal

White -Signal

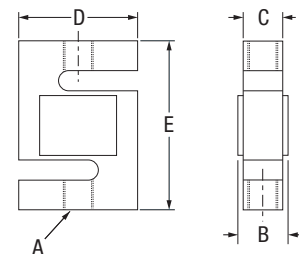
**Warranty:**

Two-year limited

**Approvals:**

NTEP 90-158

cFMus



Stainless Steel, Environmentally Sealed, NTEP Certified 1:10,000 Class III L Single Cell, IP67



Picture is a representation of actual product.

**Approvals**



**Order Information**

Load Rating	Part #	Est. Weight	Price
<b>NTEP Certified</b>			
100 lb	46511	2 lb	\$312.00
250 lb	46503	2 lb	\$312.00
300 lb	181826	2 lb	\$312.00
500 lb	46504	2 lb	\$312.00
750 lb	46505	2 lb	\$312.00
1,000 lb	46506	2 lb	\$312.00
2,500 lb	46507	2 lb	\$312.00
3,000 lb	46508	4 lb	\$345.00
5,000 lb	46509	4 lb	\$503.00
10,000 lb	46510	4 lb	\$525.00
<b>Non-NTEP Certified</b>			
50 lb	17013	2 lb	\$312.00
15,000 lb	158375	7 lb	\$715.00
20,000 lb	158376	13 lb	\$948.00
<b>Conduit Adapter Kit* (must be factory installed to maintain warranty)</b>			
3/8-24 nipple	31533*	1 lb	\$37.00
3/8-24 to 1/4-18 NPT	31534*	1 lb	\$37.00

\* PN 31533 and PN 31534 must be installed together to form the Conduit Adapter Kit

**Dimensions**

Rated Capacity	A	B	C	D	E
lb/in					
50 to 300	1/4-28 UNF	0.65	0.46	2.00	2.40
500 to 1,000	1/2-20 UNF	0.90	0.71	2.00	2.40
2,500	1/2-20 UNF	1.15	0.96	2.00	2.40
3,000	1/2-20 UNF	1.15	0.96	3.00	3.90
5,000	3/4-16 UNF	1.15	0.96	3.00	3.90
10,000	3/4-16 UNF	1.40	1.21	3.00	3.90
15,000	1-14 UNS	1.63	1.46	3.44	5.50
20,000	1 1/4-12 UNF	1.88	1.68	4.44	7.00

**Interchangeable Products**

VPG® REVERE  
**9363** ..... page 244  
ARTECH®  
**20210**

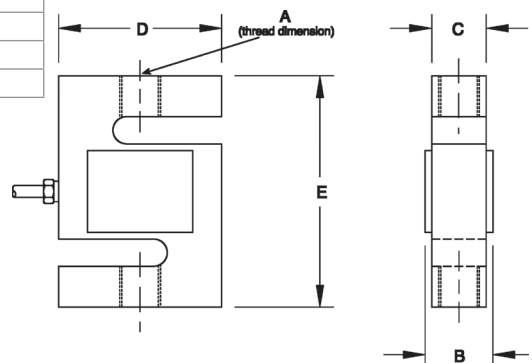
**Weigh Module Available**

RICE LAKE WEIGHING SYSTEMS  
**ITCM Isolated Tension Cell Mount**..... page 38

**Specifications**

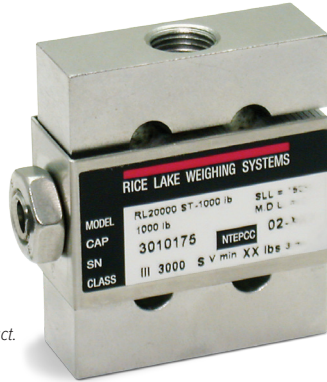
- Full Scale Output:**  
3.0 (± 0.008) mV/V
- Output Resistance:**  
350 (± 3.5) ohm
- Input Resistance:**  
390 (± 15) ohm
- Material/Finish:**  
Stainless steel
- Temperature:**  
Compensated:  
14 °F to 104 °F (-10 °C to 40 °C)  
Operating:  
0 °F to 150 °F (-18 °C to 65 °C)
- Seal Type:**  
Environmentally sealed, IP67
- Safe Overload:**  
150% full scale
- Rated Excitation:**  
5 to 10 VDC (15 V maximum)
- Combined Error:**  
0.03% full scale
- Insulation Resistance:**  
5,000 megohm
- Cable Length:**  
20 ft
- Cable Color Code:**  
Red +Excitation  
Black -Excitation  
Green +Signal  
White -Signal
- Warranty:**  
Two-year limited
- Approvals:**  
NTEP 98-078  
cFMus

**RICE LAKE  
LOAD CELLS**



# RL2000ST

Stainless Steel, Environmentally Sealed, NTEP Certified 1:10,000 Class III Single Cell, IP67



Picture is a representation of actual product.

### Approvals



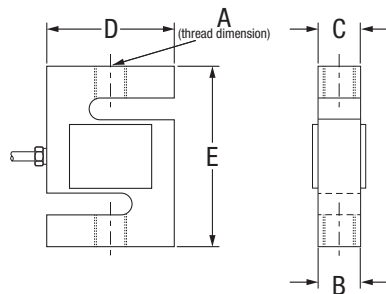
### Order Information

Load Rating	Part #	Est. Weight	Price
50 lb	72741	2 lb	\$334.00
100 lb	72742	2 lb	\$334.00
200 lb	72743	2 lb	\$334.00
250 lb	72744	2 lb	\$334.00
300 lb	72745	2 lb	\$334.00
500 lb	72746	2 lb	\$334.00
750 lb	72747	2 lb	\$334.00
1,000 lb	72748	2 lb	\$334.00
1,500 lb	72749	2 lb	\$334.00
2,000 lb	72750	2 lb	\$334.00
2,500 lb	72751	2 lb	\$334.00
3,000 lb	72752	4 lb	\$440.00
5,000 lb	72753	4 lb	\$545.00
<b>Conduit Adapter Kit* (must be factory installed to maintain warranty)</b>			
3/8-24 nipple	31533*	1 lb	\$37.00
3/8-24 to 1/4-18 NPT	31534*	1 lb	\$37.00

\*PN 31533 and PN 31534 must be installed together to form the Conduit Adapter Kit.

### Dimensions

Rated Capacity	A	B	C	D	E
lb/in					
50 to 300	1/4-28 UNF	0.65	0.46	2.00	2.40
500 to 1,000	1/2-20 UNF	0.90	0.71	2.00	2.40
1,500 to 2,500	1/2-20 UNF	1.15	0.96	2.00	2.40
3,000	1/2-20 UNF	1.15	0.96	3.00	3.90
5,000	3/4-16 UNF	1.15	0.96	3.00	3.90



### Specifications

- Full Scale Output:**  
3.0 mV/V
- Output Resistance:**  
350 (± 3.5) ohm
- Input Resistance:**  
430 (± 60) ohm
- Material/Finish:**  
Stainless steel
- Temperature:**  
Compensated:  
14 °F to 104 °F (-10 °C to 40 °C)  
Operating:  
0 °F to 150 °F (-18 °C to 65 °C)
- Seal Type:**  
Environmentally sealed, IP67
- Safe Overload:**  
150% full scale
- Rated Excitation:**  
5 to 10 VDC (15 V maximum)
- Combined Error:**  
0.03% full scale
- Insulation Resistance:**  
5,000 megohm
- Cable Length:**  
20 ft
- Cable Diameter:**  
0.190 in  
Polyurethane jacket
- Cable Color Code:**  
Red +Excitation  
Black -Excitation  
Green +Signal  
White -Signal
- Warranty:**  
Two-year limited
- Approvals:**  
NTEP 03-007  
FM

Alloy Steel, Environmentally Sealed, NTEP Certified Single Cell 1:5,000 III/1:10,000 IIIL, IP67



Picture is a representation of actual product.

**Approvals**



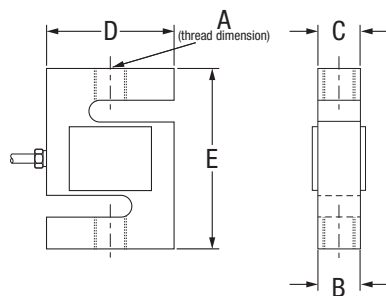
**Order Information**

Load Rating	Part #	Est. Weight	Price
250 lb	21402	2 lb	\$290.00
500 lb	21403	2 lb	\$290.00
750 lb	21404	2 lb	\$290.00
1,000 lb	21405	2 lb	\$290.00
1,500 lb	21406	2 lb	\$290.00
2,000 lb	21407	3 lb	\$290.00
2,500 lb	21408	4 lb	\$290.00
3,000 lb	21409	3 lb	\$334.00
5,000 lb	21410	4 lb	\$466.00
10,000 lb	21411	5 lb	\$466.00
15,000 lb	21412	7 lb	\$588.00
20,000 lb	21413	16 lb	\$927.00
<b>Conduit Adapter Kit* (must be factory installed to maintain warranty)</b>			
3/8-24 nipple	31533*	1 lb	\$37.00
3/8-24 to 1/4-18 NPT	31534*	1 lb	\$37.00

\*PN 31533 and PN 31534 must be installed together to form the Conduit Adapter Kit

**Dimensions**

Rated Capacity	A	B	C	D	E
lb/in					
250	3/8-24 UNF	0.75	0.50	2.00	3.00
500 to 2,000	1/2-20 UNF	1.00	0.75	2.00	3.00
2,500 to 3,000	1/2-20 UNF	1.25	1.00	2.00	3.00
5,000	3/4-16 UNF	1.25	1.00	3.00	4.25
10,000	3/4-16 UNF	1.25	1.00	3.50	4.75
15,000	1-14 UNS	1.50	1.25	4.00	5.50
20,000	1 1/4-12 UNF	2.25	2.00	5.00	7.00



**Interchangeable Products**

- VPG® CELTRON®  
**STC**.....page 188
- VPG® SENSORTRONICS®  
**60001**.....page 275

**Weigh Module Available**

- RICE LAKE WEIGHING SYSTEMS  
**ITCM Isolated Tension Cell Mount**..... page 38

**Specifications**

- Full Scale Output:**  
3.0 mV/V
- Output Resistance:**  
350 (± 3) ohm
- Input Resistance:**  
385 (± 5) ohm
- Material/Finish:**  
High-alloy steel, nickel plated
- Temperature:**  
Compensated:  
14 °F to 104 °F (-10 °C to 40 °C)  
Operating:  
0 °F to 150 °F (-18 °C to 65 °C)
- Seal Type:**  
Environmentally sealed, IP67
- Safe Overload:**  
150% full scale
- Rated Excitation:**  
5 to 10 VAC (15 V maximum)
- Combined Error:**  
0.02% full scale
- Insulation Resistance:**  
5,000 megohm
- Cable Length:**  
20 ft
- Cable Diameter:**  
0.200 in  
Polyurethane jacket
- Cable Color Code:**  
Red +Excitation  
Black -Excitation  
Green +Signal  
White -Signal
- Warranty:**  
Two-year limited
- Approvals:**  
cFMus  
NTEP 91-046

**RICE LAKE  
LOAD CELLS**

# RL20001HE

Stainless Steel, Welded Seal, NTEP Certified 1:5,000 Class III/1:10,000 Class III L Single Cell, IP68



Picture is a representation of actual product.

**Approvals**

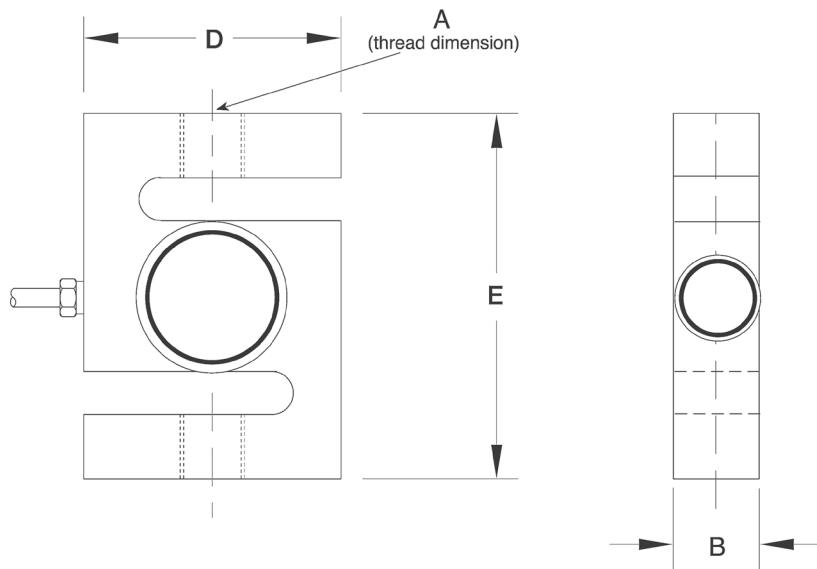


**Order Information**

Load Rating	Part #	Est. Weight	Price
<b>NTEP Certified</b>			
500 lb	46469	2 lb	\$900.00
750 lb	46470	2 lb	\$900.00
1,000 lb	46471	2 lb	\$900.00
1,500 lb	46472	2 lb	\$900.00
2,000 lb	46473	2 lb	\$900.00
2,500 lb	46474	2 lb	\$900.00
3,000 lb	46475	2 lb	\$900.00
5,000 lb	46476	5 lb	\$1,205.00
<b>Non-NTEP Certified</b>			
10,000 lb	36292	5 lb	\$1,205.00

**Dimensions**

Rated Capacity	A	B	D	E
lb/in				
500 to 3,000	1/2-20 UNF	1.00	2.00	3.00
5,000 to 10,000	3/4-16 UNF	1.00	3.50	4.75



**Interchangeable Products**

VPG® SENSORTRONICS®  
**60063** .....page 277

**Weigh Module Available**

RICE LAKE WEIGHING SYSTEMS  
**ITCM HE Isolated Tension Cell Mount**..... page 40

**Specifications**

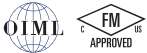
- Full Scale Output:**  
2.0 mV/V
- Bridge Resistance:**  
350 ohm, nominal
- Material/Finish:**  
Stainless steel
- Temperature:**  
Compensated:  
14 °F to 104 °F (-10 °C to 40 °C)  
Operating:  
0 °F to 150 °F (-18 °C to 65 °C)
- Seal Type:**  
Welded-seal, IP68
- Safe Overload:**  
150% full scale
- Rated Excitation:**  
5 to 10 VDC (15 V maximum)
- Combined Error:**  
0.02% full scale
- Insulation Resistance:**  
5,000 megohm
- Cable Length:**  
20 ft
- Cable Diameter:**  
0.200 in  
Polyurethane jacket
- Cable Color Code:**  
Red +Excitation  
Black -Excitation  
Green +Signal  
White -Signal
- Warranty:**  
Two-year limited
- Approvals:**  
cFMus  
NTEP 98-071

RICE LAKE  
LOAD CELLS



Picture is a representation of actual product.

**Approvals**



**Order Information**

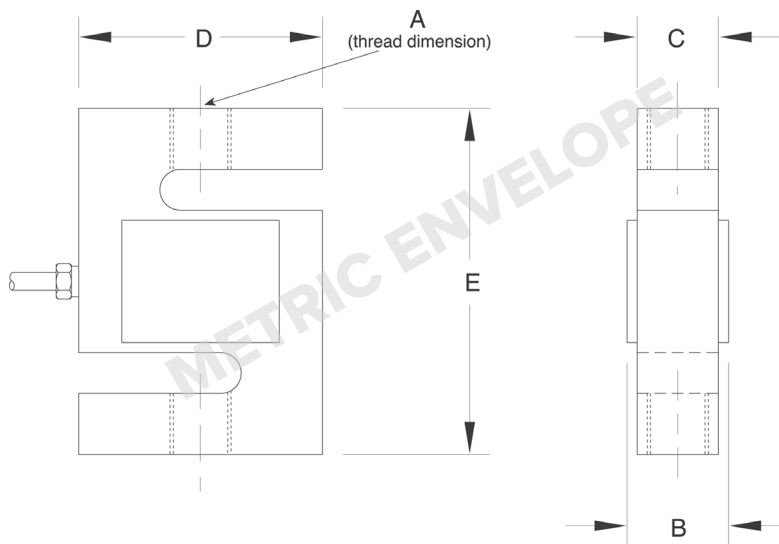
Load Rating	Part #	Est. Weight	Price
250 kg	<b>31254</b>	2 lb	\$312.00
500 kg	<b>31255</b>	2 lb	\$312.00
1,000 kg	<b>31256</b>	2 lb	\$312.00
2,500 kg	<b>31257</b>	3 lb	\$487.00

**Dimensions**

Rated Capacity	A	B	C	D	E
kg/mm					
250 to 1,000	M12 × 1.75-6H	25.4	19.1	50.8	76.0
2,500	M20 × 1.5-6H	31.8	25.4	76.2	108.0

**Specifications**

- Full Scale Output:**  
3.0 mV/V ± 0.25%
- Bridge Resistance:**  
350 ohm, nominal
- Material/Finish:**  
Alloy steel
- Temperature:**  
Operating:  
0 °F to 150 °F (-18 °C to 65 °C)
- Seal Type:**  
Environmentally sealed, IP67
- Safe Overload:**  
150% full scale
- Rated Excitation:**  
5 to 10 VAC/DC (15V maximum)
- Combined Error:**  
0.02% full scale
- Insulation Resistance:**  
5,000 megohm
- Cable Length:**  
6 m
- Cable Diameter:**  
0.200 in  
Polyurethane jacket
- Cable Color Code:**  
Red +Excitation  
Black -Excitation  
Green +Signal  
White -Signal
- Warranty:**  
Two-year limited
- Approvals:**  
cFMus  
OIML R60/1991-GB-95-09



# RL32022

Alloy Steel, Environmentally Sealed, OIML C3, IP67



Picture is a representation of actual product.

### Approvals



### Order Information

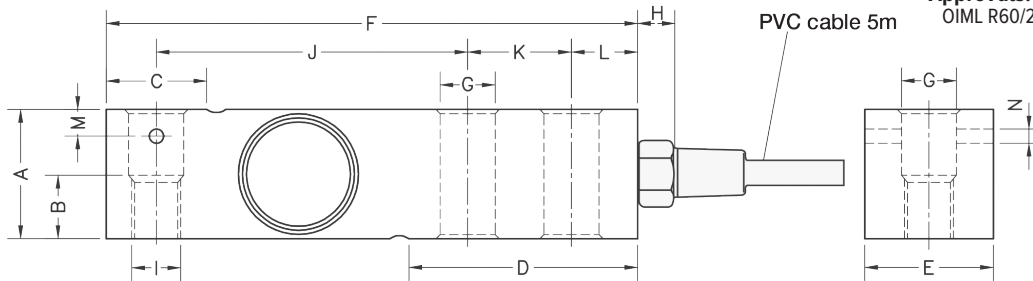
Load Rating	Part #	Est. Weight	Price
300 kg	211630	0.9 kg	\$312.00
500 kg	211631	0.9 kg	\$312.00
750 kg	211632	0.9 kg	\$312.00
1,000 kg	211633	0.9 kg	\$312.00
1,500 kg	211634	0.9 kg	\$312.00
2,000 kg	211635	0.9 kg	\$312.00

### Dimensions

Rated Capacity	A	B	C	D	E	F	G	H	I	J	K	L	M	N
kg/mm														
300 to 2,000	31.5	15.0	34.6	56.0	31.5	130.0	13.5	18.0	M12	76.2	25.4	15.8	6.5	3.5

### Specifications

- Full Scale Output:**  
2.0 mV/V ± 0.05%  
mV/V/ohm calibration
- Output Resistance:**  
350 (± 3) ohm
- Input Resistance:**  
400 (± 20) ohm
- Material/Finish:**  
Alloy steel, nickel plated
- Temperature:**  
Compensated:  
-14 °F to 104 °F (-10 °C to 40 °C)  
Operating:  
0 °F to 150 °F (-18 °C to 65 °C)
- Seal Type:**  
Environmentally sealed, IP67
- Safe Overload:**  
150% full scale
- Safe Sideload:**  
100% full scale
- Rated Excitation:**  
10 VDC (15 V maximum)
- Combined Error:**  
0.017% full scale
- Insulation Resistance:**  
> 5,000 megohm
- Deflection at Capacity:**  
0.2 to 0.4 mm
- Cable Length:**  
5 m
- Cable Color Code:**  
Green +Excitation  
Black -Excitation  
Red +Signal  
White -Signal
- Warranty:**  
Two-year limited
- Approvals:**  
OIML R60/2017-A-NL1-22.11



RICE LAKE  
LOAD CELLS





Picture is a representation of actual product.

**Approvals**



**Order Information**

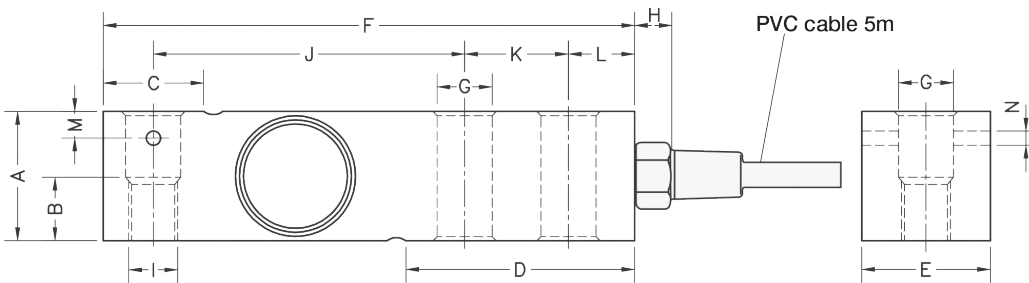
Load Rating	Part #	Est. Weight	Price
300 kg	211636	0.9 kg	\$350.00
500 kg	211637	0.9 kg	\$350.00
750 kg	211638	0.9 kg	\$350.00
1,000 kg	211639	0.9 kg	\$350.00
1,500 kg	211640	0.9 kg	\$350.00
2,000 kg	211641	0.9 kg	\$350.00
3,000 kg	211642	2.2 kg	\$445.00
5,000 kg	211643	2.2 kg	\$445.00

**Dimensions**

Rated Capacity	A	B	C	D	E	F	G	H	I	J	K	L	M	N
kg/mm														
300 to 2,000	31.5	15.0	34.6	56.0	31.5	130.0	13.5	18.0	M12	76.2	25.4	15.8	6.5	3.5
3,000 to 5,000	48.0	-	37.0	76.0	41.5	171.5	20.5	18.0	-	75.2	38.1	19.0	-	-

**Specifications**

- Full Scale Output:**  
2.0 mV/V ± 0.05%  
mV/V/ohm calibration
- Output Resistance:**  
350 (± 3) ohm
- Input Resistance:**  
400 (± 20) ohm
- Material/Finish:**  
Stainless steel
- Temperature:**  
Compensated:  
-14 °F to 104 °F (-10 °C to 40 °C)  
Operating:  
0 °F to 150 °F (-18 °C to 65 °C)
- Seal Type:**  
Hermetically sealed, IP69K
- Safe Overload:**  
150% full scale
- Safe Sideload:**  
100% full scale
- Rated Excitation:**  
10 VDC (15 V maximum)
- Combined Error:**  
0.017% full scale
- Insulation Resistance:**  
> 5,000 megohm
- Deflection at Capacity:**  
0.2 to 0.4 mm
- Cable Length:**  
5 m
- Cable Color Code:**  
Green +Excitation  
Black -Excitation  
Red +Signal  
White -Signal
- Warranty:**  
Two-year limited
- Approvals:**  
OIML



# RL32018

Alloy Steel, Environmentally Sealed, NTEP Certified 1:5,000 Class III Multiple Cell, IP66



Picture is a representation of actual product.

### Approvals



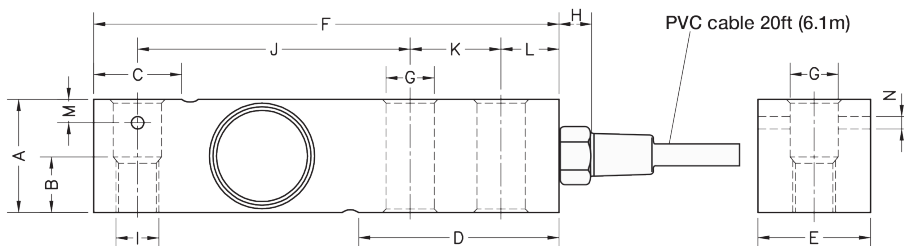
### Order Information

Load Rating	Part #	Est. Weight	Price
<b>NTEP Certified</b>			
500 lb	189151	2 lb	\$312.00
1,000 lb	189152	2 lb	\$312.00
1,500 lb	191732	2 lb	\$312.00
2,000 lb	189153	2 lb	\$312.00
2,500 lb	189154	2 lb	\$312.00
3,000 lb	189155	5 lb	\$312.00
4,000 lb	189156	5 lb	\$312.00
5,000 lb SE	189157	5 lb	\$312.00
5,000 lb LE	189158	5 lb	\$398.00
10,000 lb	189159	5 lb	\$398.00
<b>Non-NTEP Certified</b>			
250 lb	189150	2 lb	\$312.00
15,000 lb*	189160	10 lb	\$683.00
20,000 lb*	189161	10 lb	\$683.00
<b>With Overbraided Cable</b>			
2,500 lb	209166	10 lb	\$350.00
20,000 lb*	197558	10 lb	\$768.00

SE=small envelope; LE=large envelope  
\* Pending NTEP

### Dimensions

Rated Capacity	A	B	C	D	E	F	G	H	I	J	K	L	M	N
lb/in														
250 to 500	1.00	0.59	0.96	2.20	1.24	5.12	0.53	0.70	1/2-20 UNF	3.00	1.00	0.62	0.25	0.13
1,000 to 5,000 SE	1.24	0.59	0.96	2.20	1.24	5.12	0.53	0.70	1/2-20 UNF	3.00	1.00	0.62	0.25	0.13
5,000 LE to 10,000	1.50	-	1.45	2.99	1.50	6.75	0.80	0.70	3/4-16 UNF	3.75	1.50	0.75	-	-
15,000 to 20,000	2.00	-	-	4.00	2.00	8.75	1.06	-	1-14 UNS	4.90	2.00	1.00	-	-



### Interchangeable Products

- VPG® SENSORTRONICS®  
**65023A**.....page 281
- VPG® CELTRON®  
**SQB**.....page 191

### Weigh Module Available

- RICE LAKE WEIGHING SYSTEMS  
**RL50210TA**.....page 41
- RICE LAKE WEIGHING SYSTEMS  
**RL1800 Series**.....page 52

### Specifications

- Full Scale Output:**  
3.0 mV/V ± 0.05%  
mV/V/ohm calibration
- Output Resistance:**  
350 (± 3) ohm
- Input Resistance:**  
400 (± 20) ohm
- Material/Finish:**  
Alloy steel, nickel plated
- Temperature:**  
Compensated:  
-14 °F to 104 °F (-10 °C to 40 °C)  
Operating:  
0 °F to 150 °F (-18 °C to 65 °C)
- Seal Type:**  
Environmentally sealed, IP66
- Safe Overload:**  
150% full scale
- Safe Sideload:**  
100% full scale
- Rated Excitation:**  
10 VDC (15 V maximum)
- Combined Error:**  
0.017% full scale
- Insulation Resistance:**  
> 5,000 megohm
- Deflection at Capacity:**  
0.2 to 0.4 mm
- Cable Length:**  
20 ft
- Cable Color Code:**  
Red +Excitation  
Black -Excitation  
Green +Signal  
White -Signal
- Warranty:**  
Two-year limited
- Approvals:**  
NTEP 18-106  
cFMus FM18US0307X

RICE LAKE  
LOAD CELLS

SINGLE-ENDED BEAM  
**RL32018 MLC Coated**

Alloy Steel, Environmentally Sealed, NTEP Certified 1:5,000 Class III Multiple Cell, IP66



Picture is a representation of actual product.

**Approvals**



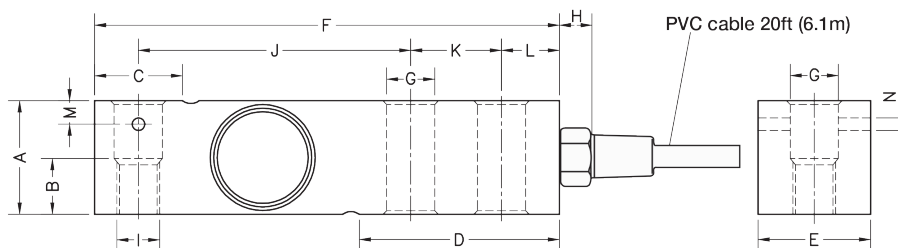
**Order Information**

Load Rating	Part #	Est. Weight	Price
<b>NTEP Certified</b>			
1,000 lb	<b>207842</b>	2 lb	\$344.00
1,500 lb	<b>207843</b>	2 lb	\$344.00
2,000 lb	<b>207844</b>	2 lb	\$344.00
2,500 lb	<b>207845</b>	2 lb	\$344.00
3,000 lb	<b>207846</b>	5 lb	\$344.00
4,000 lb	<b>207847</b>	5 lb	\$344.00
5,000 lb SE	<b>207848</b>	5 lb	\$344.00
5,000 lb LE	<b>207850</b>	5 lb	\$434.00
10,000 lb	<b>207851</b>	5 lb	\$434.00
<b>Non-NTEP Certified</b>			
15,000 lb	<b>207852</b>	10 lb	\$715.00
20,000 lb	<b>207853</b>	10 lb	\$715.00

SE=small envelope; LE=large envelope

**Dimensions**

Rated Capacity	A	B	C	D	E	F	G	H	I	J	K	L	M	N
lb/in														
1,000 to 5,000 SE	1.24	0.59	0.96	2.20	1.24	5.12	0.53	0.70	1/2-20 UNF	3.00	1.00	0.62	0.25	0.13
5,000 LE to 10,000	1.50	-	1.45	2.99	1.50	6.75	0.80	0.70	3/4-16 UNF	3.75	1.50	0.75	-	-
15,000 to 20,000	2.00	-	-	4.00	2.00	8.75	1.06	-	1-14 UNS	4.90	2.00	1.00	-	-



**Interchangeable Products**

- VPG® SENSORTRONICS®  
**65023A**.....page 281
- VPG® CELTRON®  
**SQB**.....page 191

**Weigh Module Available**

- RICE LAKE WEIGHING SYSTEMS  
**RL50210TA**..... page 41
- RICE LAKE WEIGHING SYSTEMS  
**RL1800 Series**..... page 54

**Specifications**

- Full Scale Output:**  
 3.0 mV/V ± 0.05%  
 mV/V/ohm calibration
- Output Resistance:**  
 350 (± 3) ohm
- Input Resistance:**  
 400 (± 20) ohm
- Material/Finish:**  
 Alloy steel, nickel plated, coated
- Temperature:**  
 Compensated:  
 -14 °F to 104 °F (-10 °C to 40 °C)  
 Operating:  
 0 °F to 150 °F (-18 °C to 65 °C)
- Seal Type:**  
 Environmentally sealed, IP66
- Safe Overload:**  
 150% full scale
- Safe Sideload:**  
 100% full scale
- Rated Excitation:**  
 10 VDC (15 V maximum)
- Combined Error:**  
 0.017% full scale
- Insulation Resistance:**  
 > 5,000 megohm
- Deflection at Capacity:**  
 0.2 to 0.4 mm
- Cable Length:**  
 20 ft
- Cable Color Code:**  
 Red +Excitation  
 Black -Excitation  
 Green +Signal  
 White -Signal
- Warranty:**  
 Two-year limited
- Approvals:**  
 cFMus  
 NTEP 18-106

**RICE LAKE  
LOAD CELLS**

SINGLE-ENDED BEAM  
**RL32018S**

Stainless Steel, Environmentally Sealed, NTEP Certified 1:5,000 Class III Multiple Cell, IP66



Picture is a representation of actual product.

Approvals



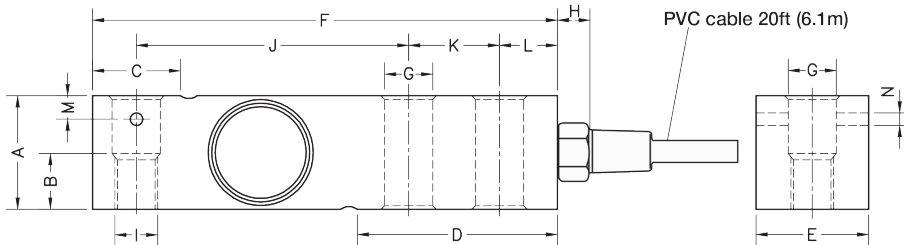
Order Information

Load Rating	Part #	Est. Weight	Price
<b>NTEP Certified</b>			
500 lb	<b>189163</b>	3 lb	\$344.00
1,000 lb	<b>189164</b>	3 lb	\$344.00
2,000 lb	<b>189165</b>	3 lb	\$344.00
2,500 lb	<b>189166</b>	3 lb	\$344.00
4,000 lb	<b>189167</b>	3 lb	\$344.00
5,000 lb SE	<b>189168</b>	3 lb	\$344.00
5,000 lb LE	<b>189169</b>	5 lb	\$440.00
10,000 lb	<b>189170</b>	5 lb	\$440.00
<b>Non-NTEP Certified</b>			
250 lb	<b>189162</b>	3 lb	\$344.00
15,000 lb*	<b>189171</b>	10 lb	\$736.00
20,000 lb*	<b>189172</b>	10 lb	\$736.00

SE=small envelope; LE=large envelope  
\*Pending NTEP

Dimensions

Rated Capacity	A	B	C	D	E	F	G	H	I	J	K	L	M	N
250 to 500	1.00	0.59	0.96	2.20	1.24	5.12	0.53	0.70	1/2-20 UNF	3.00	1.00	0.62	0.25	0.13
1,000 to 5,000 SE	1.24	0.59	0.96	2.20	1.24	5.12	0.53	0.70	1/2-20 UNF	3.00	1.00	0.62	0.25	0.13
5,000 LE to 10,000	1.50	-	1.45	2.99	1.50	6.75	0.80	0.70	3/4-16 UNF	3.75	1.50	0.75	-	-
15,000 to 20,000	2.00	-	-	4.00	2.00	8.75	1.06	-	1-14 UNS	4.90	2.00	1.00	-	-



Interchangeable Products

- RICE LAKE WEIGHING SYSTEMS  
**RL35023S** ..... page 117
- VPG® SENSORTRONICS®  
**65023S** ..... page 283
- VPG SENSORTRONICS  
**65023SS** ..... page 282
- VPG® CELTRON®  
**SQB-HSS** ..... page 192

Weigh Module Available

- RICE LAKE WEIGHING SYSTEMS  
**RL50210TA** ..... page 41
- RICE LAKE WEIGHING SYSTEMS  
**RL1800 Series** ..... page 52

Specifications

- Full Scale Output:**  
3.0 mV/V ± 0.05%  
mV/V/ohm calibration
- Output Resistance:**  
350 (± 3) ohm
- Input Resistance:**  
400 (± 20) ohm
- Material/Finish:**  
Stainless steel
- Temperature:**  
Compensated:  
14 °F to 104 °F (-10 °C to 40 °C)  
Operating range  
0 °F to 150 °F (-18 °C to 65 °C)

**Seal Type:**  
Environmentally sealed, IP66

**Safe Overload:**  
150% full scale

**Rated Excitation:**  
10 VDC (15 V maximum)

**Combined Error:**  
0.017% full scale

**Insulation Resistance:**  
> 5,000 megohm

**Deflection at Capacity:**  
0.2 to 0.4 mm

**Cable Length:**  
20 ft

**Cable Color Code:**  
Red +Excitation  
Black -Excitation  
Green +Signal  
White -Signal

**Warranty:**  
Two-year limited

**Approvals:**  
cFMus  
NTEP 18-106

RICE LAKE  
LOAD CELLS



Picture is a representation of actual product.

**Approvals**



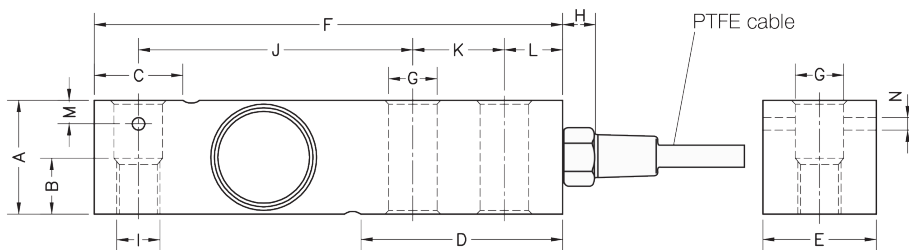
**Order Information**

Load Rating	Part #	Est. Weight	Price
1,000 lb	190654	3 lb	\$371.00
2,000 lb	190655	3 lb	\$371.00
2,500 lb	190656	3 lb	\$371.00
4,000 lb	190657	3 lb	\$371.00
5,000 lb SE	190658	3 lb	\$371.00
5,000 lb LE	190659	5 lb	\$418.00
10,000 lb	190660	5 lb	\$418.00

SE=small envelope; LE=large envelope

**Dimensions**

Rated Capacity	A	B	C	D	E	F	G	H	I	J	K	L	M	N
lb/in														
1,000 to 5,000 SE	1.24	0.59	0.96	2.20	1.25	5.12	0.53	0.70	1/2-20 UNF	3.00	1.00	0.62	0.25	0.13
5,000 LE to 10,000	1.50	—	1.45	2.99	1.50	6.75	0.80	0.70	3/4-16 UNF	3.75	1.50	0.75	—	—



**Interchangeable Products**

- RICE LAKE WEIGHING SYSTEMS
- RL32018S-HE.....page 108
- VPG® SENSORTRONICS®
- 65083.....page 284
- VPG® CELTRON®
- SQB-HSS.....page 192

**Weigh Module Available**

- RICE LAKE WEIGHING SYSTEMS
- RL1800 Series.....page 52

**Specifications**

- Full Scale Output:**  
3.0 mV/V ± 0.05%  
mV/V/ohm calibration
- Output Resistance:**  
350 (± 3) ohm
- Input Resistance:**  
400 (± 20) ohm
- Material/Finish:**  
Stainless steel
- Temperature:**  
Compensated:  
-14 °F to 104 °F (-10 °C to 40 °C)  
Operating:  
0 °F to 150 °F (-18 °C to 65 °C)
- Seal Type:**  
Hermetically sealed, IP69K
- Safe Overload:**  
150% full scale
- Safe Sideload:**  
100% full scale
- Rated Excitation:**  
10 VDC (15 V maximum)
- Combined Error:**  
0.017% full scale
- Insulation Resistance:**  
> 5,000 megohm
- Deflection at Capacity:**  
0.2 to 0.4 mm
- Cable Length:**  
20 ft PTFE cable
- Cable Color Code:**  
Red +Excitation  
Black -Excitation  
Green +Signal  
White -Signal
- Warranty:**  
Two-year limited
- Approvals:**  
cFMus

**RICE LAKE  
LOAD CELLS**

# RL32018S-HE

Stainless Steel, Hermetically Sealed, NTEP Certified 1:5,000 Class III Multiple Cell, IP69K



Picture is a representation of actual product.

### Approvals



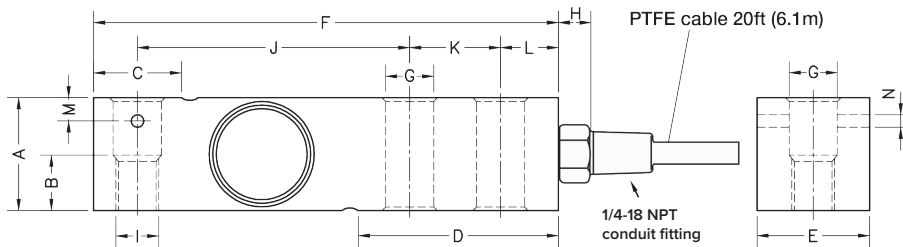
### Order Information

Load Rating	Part #	Est. Weight	Price
500 lb	189175	3 lb	\$429.00
1,000 lb	189176	3 lb	\$429.00
2,000 lb	189178	3 lb	\$429.00
2,500 lb	189179	3 lb	\$429.00
4,000 lb	189181	3 lb	\$429.00
5,000 lb SE	208667	3 lb	\$429.00
5,000 lb LE	189182	5 lb	\$477.00
10,000 lb	189183	5 lb	\$477.00

SE=small envelope; LE=large envelope

### Dimensions

Rated Capacity	A	B	C	D	E	F	G	H	I	J	K	L	M	N
lb/in														
500 to 5,000 SE	1.24	0.59	0.96	2.20	1.24	5.12	0.53	0.70	1/2-20 UNF	3.00	1.00	0.62	0.25	0.13
5,000 to 10,000	1.50	0.75	1.45	2.99	1.50	6.75	0.80	0.70	3/4-16 UNF	3.75	1.50	0.75	-	-



### Interchangeable Products

- RICE LAKE WEIGHING SYSTEMS  
**RL32018S-P** (non-NTEP) . page 107
- VPG® SENSORTRONICS®  
**65083**..... page 284
- VPG® CELTRON®  
**SQB-HSS**..... page 192

### Weigh Module Available

- RICE LAKE WEIGHING SYSTEMS  
**RL1800 Series**..... page 52

### Specifications

- Full Scale Output:**  
3.0 mV/V ± 0.05%  
mV/V/ohm calibration
- Output Resistance:**  
350 (± 3) ohm
- Input Resistance:**  
400 (± 20) ohm
- Material/Finish:**  
Stainless steel
- Temperature:**  
Compensated:  
14 °F to 104 °F (-10 °C to 40 °C)  
Operating:  
0 °F to 200 °F (-18 °C to 93 °C)
- Seal Type:**  
Hermetically sealed, IP69K
- Safe Overload:**  
150% full scale
- Safe Sideload:**  
100% full scale
- Rated Excitation:**  
5 to 10 VDC (15 V maximum)
- Combined Error:**  
0.017% full scale
- Insulation Resistance:**  
> 5,000 megohm
- Cable Length:**  
20 ft PTFE cable
- Cable Color Code:**  
Red +Excitation  
Black -Excitation  
Green +Signal  
White -Signal
- Warranty:**  
Two-year limited
- Approvals:**  
cFMus  
NTEP 18-106

RICE LAKE  
LOAD CELLS



Picture is a representation of actual product.

**Approvals**



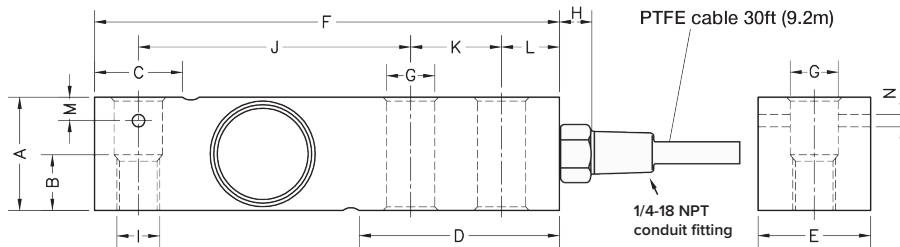
**Order Information**

Load Rating	Part #	Est. Weight	Price
1,000 lb	191629	4 lb	\$482.00
2,500 lb	191630	4 lb	\$482.00
4,000 lb	191631	4 lb	\$482.00
5,000 lb SE	208668	4 lb	\$482.00
5,000 lb LE	191632	6 lb	\$535.00
10,000 lb	191633	6 lb	\$535.00

SE=small envelope; LE=large envelope

**Dimensions**

Rated Capacity lb/in	A	B	C	D	E	F	G	H	I	J	K	L	M	N
1,000 to 5,000 SE	1.24	0.59	0.96	2.20	1.24	5.12	0.53	0.70	1/2-20 UNF	3.00	1.00	0.62	0.25	0.13
5,000 LE to 10,000	1.50	0.75	1.45	2.99	1.50	6.75	0.80	0.70	3/4-16 UNF	3.75	1.50	0.75	—	—



**Interchangeable Products**

RICE LAKE WEIGHING SYSTEMS  
**RL35082**  
VPG® SENSORTRONICS®  
**65083S** (20 ft cable)..... page 285

**Specifications**

- Full Scale Output:**  
2.0 mV/V ± 0.05%  
mV/V/ohm calibration
- Output Resistance:**  
350 (± 3) ohm
- Input Resistance:**  
400 (± 20) ohm
- Material/Finish:**  
Stainless steel
- Temperature:**  
Compensated:  
14 °F to 104 °F (-10 °C to 40 °C)  
Operating:  
0 °F to 200 °F (-18 °C to 93 °C)
- Seal Type:**  
Hermetically sealed, IP69K
- Safe Overload:**  
150% full scale
- Rated Excitation:**  
5 to 10 VDC (15 V maximum)
- Combined Error:**  
0.017% full scale
- Insulation Resistance:**  
> 5,000 megohm
- Deflection at Capacity:**  
0.2 to 0.4 mm
- Cable Length:**  
30 ft PTFE cable
- Cable Color Code:**  
Red +Excitation  
Black -Excitation  
Green +Signal  
White -Signal
- Warranty:**  
Two-year limited
- Approvals:**  
cFMus  
NTEP 18-106

**RICE LAKE  
LOAD CELLS**

# RL32218S-HE

Stainless Steel, Hermetically Sealed, NTEP Certified 1:5,000 Class III Multiple Cell, IP69K



Picture is a representation of actual product.

### Approvals



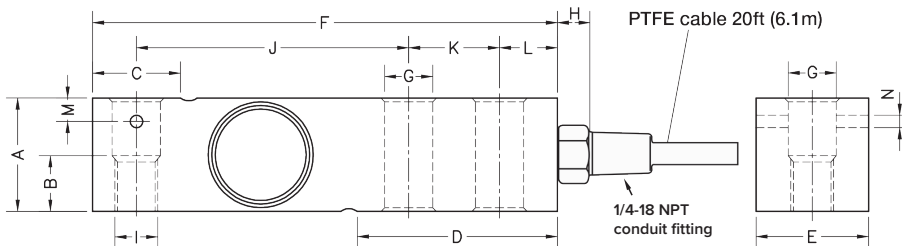
### Order Information

Load Rating	Part #	Est. Weight	Price
<b>RL32218S-HE PTFE Cable</b>			
1,000 lb	191634	3 lb	\$429.00
2,500 lb	191635	3 lb	\$429.00
4,000 lb	191636	3 lb	\$429.00
5,000 lb SE	208669	3 lb	\$429.00
5,000 lb LE	191637	5 lb	\$477.00
10,000 lb	191638	5 lb	\$477.00
<b>RL32218S-HE Rodent Protection Cable</b>			
1,000 lb	223599	3 lb	\$405.00
2,500 lb	209620	3 lb	\$405.00
4,000 lb	223600	3 lb	\$405.00
5,000 lb SE	223601	3 lb	\$525.00

SE=small envelope; LE=large envelope

### Dimensions

Rated Capacity	A	B	C	D	E	F	G	H	I	J	K	L	M	N
lb/in														
1,000 to 5,000 SE	1.24	0.59	0.96	2.20	1.24	5.12	0.53	0.70	1/2-20 UNF	3.00	1.00	0.62	0.25	0.13
5,000 LE to 10,000	1.50	0.75	1.45	2.99	1.50	6.75	0.80	0.70	3/4-16 UNF	3.75	1.50	0.75	-	-



### Interchangeable Products

RICE LAKE WEIGHING SYSTEMS

**RL35082**

RICE LAKE WEIGHING SYSTEMS

**RL32019S-HE**.....page 109

VPG® SENSORTRONICS®

**65083S**.....page 285

### Weigh Module Available

RICE LAKE WEIGHING SYSTEMS

**RL50210TA**.....page 41

RICE LAKE WEIGHING SYSTEMS

**RL1800 Series**.....page 52

### Specifications

#### Full Scale Output:

2.0 mV/V ± 0.05%  
mV/V/ohm calibration

#### Output Resistance:

350 (± 3) ohm

#### Input Resistance:

400 (± 20) ohm

#### Material/Finish:

Stainless steel

#### Temperature:

Compensated:  
14 °F to 104 °F (-10 °C to 40 °C)

Operating:  
0 °F to 200 °F (-18 °C to 93 °C)

#### Seal Type:

Hermetically sealed, IP69K

#### Safe Overload:

150% full scale

#### Rated Excitation:

5 to 10 VDC (15 V maximum)

#### Combined Error:

0.017% full scale

#### Insulation Resistance:

> 5,000 megohm

#### Cable Length:

20 ft PTFE cable  
30 ft RP

#### Cable Color Code:

Red +Excitation  
Black -Excitation  
Green +Signal  
White -Signal

#### Warranty:

Two-year limited

#### Approvals:

cFMus  
NTEP 18-106





Picture is a representation of actual product.

**Approvals**

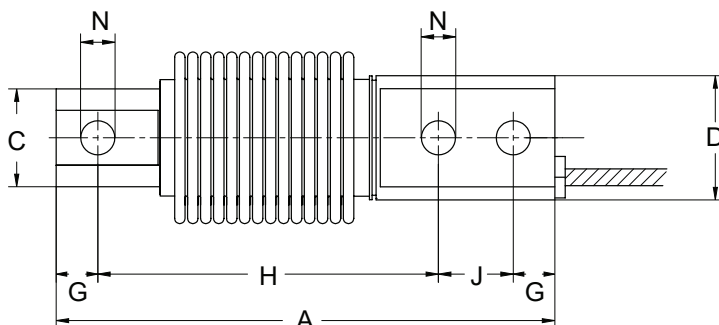
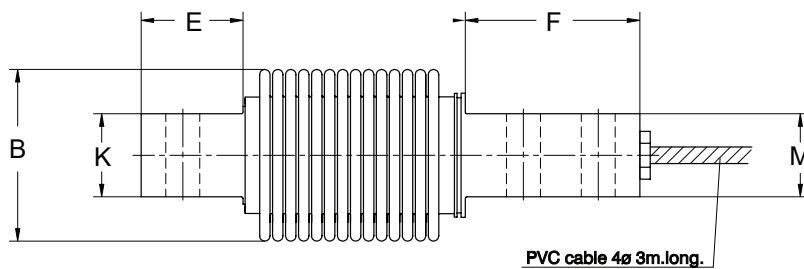


**Order Information**

Load Rating	Part #	Est. Weight	Price
<b>NTEP Certified</b>			
5 kg	<b>188691</b>	2 lb	\$524.00
10 kg	<b>188692</b>	2 lb	\$524.00
20 kg	<b>188693</b>	2 lb	\$524.00
30 kg	<b>188694</b>	2 lb	\$524.00
50 kg	<b>188702</b>	2 lb	\$524.00
75 kg	<b>188695</b>	2 lb	\$524.00
100 kg	<b>188696</b>	2 lb	\$524.00
200 kg	<b>188697</b>	2 lb	\$524.00
250 kg	<b>188698</b>	2 lb	\$524.00
300 kg	<b>188699</b>	2 lb	\$524.00
500 kg	<b>188700</b>	2 lb	\$524.00

**Dimensions**

Rated Capacity	A	B	C	D	E	F	G	H	J	K	M	N
kg/mm												
5 to 500	120.0	41.5	23.5	30.0	24.5	42.0	10.0	82.0	18.0	20.0	20.0	8.2



**Interchangeable Products**

RICE LAKE WEIGHING SYSTEMS  
**RLHBB**

**Specifications**

- Full Scale Output:**  
2.0 mV/V ± 10%  
mV/V/ohm calibration
- Output Resistance:**  
350 (± 3) ohm
- Input Resistance:**  
400 (± 20) ohm
- Material/Finish:**  
Stainless steel
- Temperature:**  
Compensated:  
14 °F to 104 °F (-10 °C to 40 °C)  
Operating:  
0 °F to 150 °F (-18 °C to 65 °C)
- Seal Type:**  
Hermetically sealed, IP68/IP69K
- Safe Overload:**  
150% full scale
- Rated Excitation:**  
5 to 10 VDC (15 V maximum)
- Combined Error:**  
0.017% full scale
- Insulation Resistance:**  
> 5,000 megohm
- Deflection at Capacity:**  
0.2 to 0.4 mm
- Cable Length:**  
3 m  
PVC cable
- Cable Color Code:**  
Blue +Excitation  
Black -Excitation  
White +Signal  
Red -Signal  
Green +Sense  
Yellow -Sense
- Warranty:**  
Two-year limited
- Approvals:**  
NTEP 18-107  
OIML R60/2017-A-NL1-19.27  
cFMus FM18US0307X

**RICE LAKE  
LOAD CELLS**

SINGLE-ENDED BEAM  
**RL30000I**

Alloy Steel, Environmentally Sealed, NTEP Certified 1:5,000 IIII Class III Multiple Cell, IP67



Picture is a representation of actual product.

Approvals



Order Information

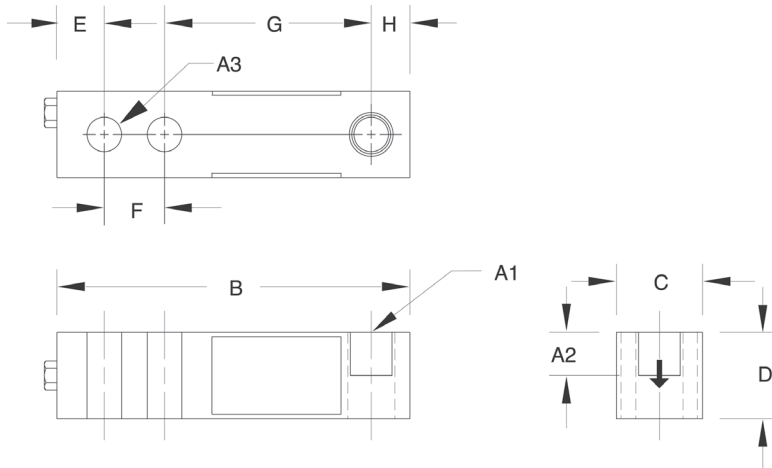
Load Rating	Part #	Est. Weight	Price
<b>NTEP Certified</b>			
1,000 lb	21491	3 lb	\$312.00
2,000 lb	21493	3 lb	\$312.00
2,500 lb	21495	3 lb	\$312.00
3,000 lb	21497	3 lb	\$312.00
4,000 lb	21498	3 lb	\$312.00
5,000 lb SE	21500	3 lb	\$312.00
5,000 lb LE	21501	5 lb	\$398.00
10,000 lb	21503	5 lb	\$398.00
<b>Non-NTEP Certified</b>			
250 lb	17341	3 lb	\$312.00
500 lb	17342	3 lb	\$312.00
20,000 lb	17109	10 lb	\$684.00
<b>Conduit Adapter Kit (must be factory installed to maintain warranty)</b>			
3/8-24 nipple	31533*	1 lb	\$37.00
3/8-24 to 1/4-18 NPT	31534*	1 lb	\$37.00

SE=small envelope; LE=large envelope

\* PN 31533 and PN 31534 must be installed together to form the Conduit Adapter Kit

Dimensions

Rated Capacity	A1	A2	A3	B	C	D	E	F	G	H
250 to 5,000 SE	1/2-20 UNF	0.60	0.53	5.12	1.25	1.25	0.62	1.00	3.00	0.50
5,000 LE to 10,000	3/4-16 UNF	0.75	0.78	6.75	1.50	1.50	0.75	1.50	3.75	0.75
20,000	1-14 UNF	1.00	1.03	8.75	2.00	2.00	1.00	2.00	4.75	1.00



Interchangeable Products

- VPG® REVERE  
**5123**..... page 246
- VPG® TEDEA-HUNTLEIGH®  
**3411**..... page 306
- ARTECH®  
**30310**

Weigh Module Available

- RICE LAKE WEIGHING SYSTEMS  
**RL50210TA**..... page 41
- RICE LAKE WEIGHING SYSTEMS  
**RL1800 Series**..... page 52

Specifications

- Full Scale Output:**  
3.0 mV/V
- Bridge Resistance:**  
350 ohm, nominal
- Material/Finish:**  
High-alloy steel, nickel plated
- Temperature:**  
Compensated:  
14 °F to 104 °F (-10 °C to 40 °C)  
Operating:  
0 °F to 150 °F (-18 °C to 65 °C)
- Seal Type:**  
Environmentally sealed, IP67
- Safe Overload:**  
150% full scale
- Safe Sideload:**  
100% full scale
- Rated Excitation:**  
5 to 10 VAC (15 V maximum)
- Combined Error:**  
0.02% full scale
- Insulation Resistance:**  
5,000 megohm
- Deflection at Capacity:**  
250 to 1,000 lb: 0.013 in  
2,000 to 3,000 lb: 0.015 in  
4,000 to 5,000 lb: 0.025 in  
10,000 lb: 0.032 in  
20,000 lb: 0.038 in
- Cable Length:**  
20 ft
- Cable Diameter:**  
0.200 in  
Polyurethane jacket
- Cable Color Code:**  
Red +Excitation  
Black -Excitation  
Green +Signal  
White -Signal
- Warranty:**  
Two-year limited
- Approvals:**  
cFMus  
NTEP 98-043

RICE LAKE  
LOAD CELLS

SINGLE-ENDED BEAM  
**RL30002 Thru Hole**

Alloy Steel, Environmentally Sealed, NTEP Certified 1:5,000 III L Class III Multiple Cell, IP67



Picture is a representation of actual product.

**Approvals**



**Order Information**

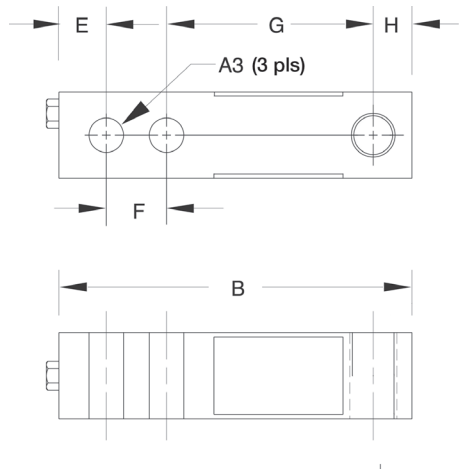
Load Rating	Part #	Est. Weight	Price
<b>NTEP Certified</b>			
1,000 lb	21521	3 lb	\$312.00
2,000 lb	21522	3 lb	\$312.00
2,500 lb	21523	3 lb	\$312.00
4,000 lb	21524	3 lb	\$312.00
5,000 lb SE	21525	3 lb	\$312.00
<b>Conduit Adapter Kit (must be factory installed to maintain warranty)</b>			
3/8-24 nipple	31533*	1 lb	\$37.00
3/8-24 to 1/4-18 NPT	31534*	1 lb	\$37.00

SE=small envelope

\* PN 31533 and PN 31534 must be installed together to form the Conduit Adapter Kit

**Dimensions**

Rated Capacity	A3	B	C	D	E	F	G	H
lb/in								
1,000 to 5,000 SE	0.53	5.12	1.25	1.25	0.62	1.00	3.00	0.50



**Interchangeable Products**

- VPG® TEDEA-HUNTLEIGH®  
3410
- ARTECH®  
30210

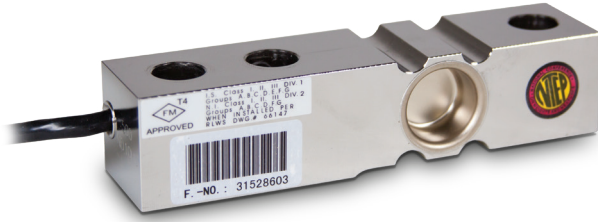
**Specifications**

- Full Scale Output:** 3.0 mV/V
- Bridge Resistance:** 350 ohm, nominal
- Material/Finish:** High-alloy steel, nickel plated
- Temperature:** Compensated: 14 °F to 104 °F (-10 °C to 40 °C)  
Operating: 0 °F to 150 °F (-18 °C to 65 °C)
- Seal Type:** Environmentally sealed, IP67
- Safe Overload:** 150% full scale
- Safe Sideload:** 100% full scale
- Rated Excitation:** 5 to 10 VDC (15 V maximum)
- Combined Error:** 0.02% full scale
- Insulation Resistance:** 5,000 megohm
- Deflection at Capacity:** 1,000 lb: 0.013 in  
2,000 to 3,000 lb: 0.015 in  
4,000 to 5,000 lb: 0.025 in
- Cable Length:** 20 ft
- Cable Diameter:** 0.200 in  
Polyurethane jacket
- Cable Color Code:** Red +Excitation  
Black -Excitation  
Green +Signal  
White -Signal
- Warranty:** Two-year limited
- Approvals:** cFMus  
NTEP 98-043

**RICE LAKE  
LOAD CELLS**

# RLH35

Stainless Steel, Welded Seal, NTEP Certified 1:5,000 Class IIIIL Multiple Cell, IP67



Picture is a representation of actual product.

**Approvals**

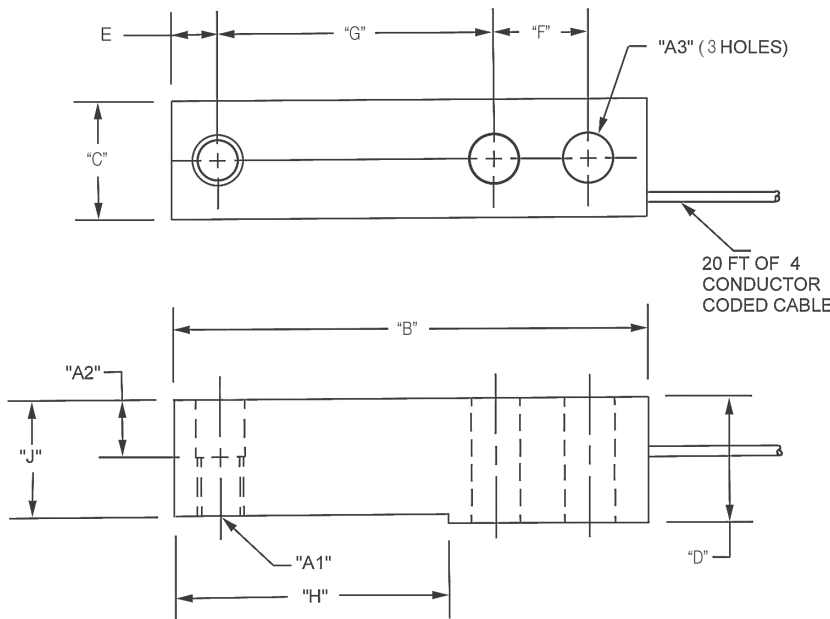


**Order Information**

Load Rating	Part #	Est. Weight	Price
500 lb	106038	4 lb	\$371.00

**Dimensions**

Rated Capacity	A1	A2	A3	C	D	B	E	F	G	H	J
500 lb/in	1/2-20 UNF	0.62	0.53	1.21	1.19	5.12	0.50	1.00	3.00	2.85	1.120



**RICE LAKE  
LOAD CELLS**

**Interchangeable Products**

- HBK®
- H35** ..... page 224
- METTLER TOLEDO®
- 500 lb-8 ft cable**
- TB601019-008
- 1,000 lb-20 ft cable**
- TB601016-020
- 2,500 lb-8 ft cable**
- TB601016-008

**Specifications**

- Full Scale Output:**  
3.0 mV/V
- Output Resistance:**  
350 ohm, nominal
- Input Resistance:**  
385 ohm, nominal
- Material/Finish:**  
Stainless steel
- Temperature:**  
Compensated:  
14 °F to 104 °F (-10 °C to 40 °C)  
Operating:  
0 °F to 150 °F (-18 °C to 65 °C)
- Seal Type:**  
Welded-seal, IP67
- Safe Overload:**  
150% full scale
- Rated Excitation:**  
5 to 10 VDC (15 V maximum)
- Combined Error:**  
0.02% full scale
- Insulation Resistance:**  
5,000 megohm
- Deflection at Capacity:**  
0.02 in
- Cable Length:**  
20 ft
- Cable Diameter:**  
0.190 in  
Polyurethane jacket
- Cable Color Code:**  
Green +Excitation  
Black -Excitation  
White +Signal  
Red -Signal  
Yellow Shield
- Warranty:**  
Two-year limited
- Approvals:**  
FM  
NTEP 06-023

### Interchangeable Products

- VPG® REVERE  
**9123**.....page 247
- ARTECH®  
**SS30310**

### Weigh Module Available

- RICE LAKE WEIGHING SYSTEMS  
**RL50210TA**..... page 41
- RICE LAKE WEIGHING SYSTEMS  
**RL1800 Series**..... page 52

### Specifications

- Full Scale Output:**  
3.0 mV/V
- Output Resistance:**  
349 to 355 ohm
- Input Resistance:**  
343 to 357 ohm
- Material/Finish:**  
Stainless steel
- Temperature:**  
Operating:  
0 °F to 150 °F (-18 °C to 65 °C)
- Seal Type:**  
Environmentally sealed, IP67
- Safe Overload:**  
150% full scale
- Safe Sideload:**  
100% full scale
- Rated Excitation:**  
5 to 10 VDC (15 V maximum)
- Nonlinearity:**  
0.03% full scale
- Hysteresis:**  
0.02% full scale
- Insulation Resistance:**  
5,000 megohm
- Deflection at Capacity:**  
250 to 1,000 lb: 0.013 in  
2,000 to 3,000 lb: 0.015 in  
4,000 to 5,000 lb: 0.025 in  
10,000 lb: 0.32 in
- Cable Length:**  
20 ft  
30 ft
- Cable Diameter:**  
0.200 in  
Polyurethane jacket
- Cable Color Code:**  
Red +Excitation  
Black -Excitation  
Green +Signal  
White -Signal
- Warranty:**  
Two-year limited
- Approvals:**  
cFMus

RICE LAKE  
LOAD CELLS



Picture is a representation of actual product.

### Approvals



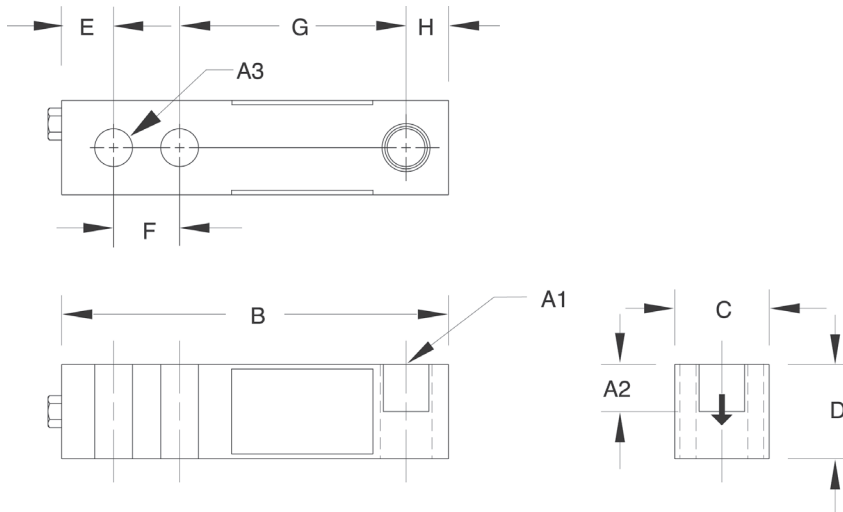
### Order Information

Load Rating	Part #	Est. Weight	Price
<b>20 ft Cables</b>			
250 lb	<b>17386</b>	3 lb	\$344.00
500 lb	<b>17387</b>	3 lb	\$344.00
1,000 lb	<b>17189</b>	3 lb	\$344.00
2,500 lb	<b>17191</b>	3 lb	\$344.00
4,000 lb	<b>17193</b>	3 lb	\$344.00
5,000 lb	<b>17194</b>	5 lb	\$439.00
10,000 lb	<b>17195</b>	5 lb	\$439.00
<b>30 ft Cables</b>			
4,000 lb	<b>95562</b>	3 lb	\$365.00
<b>Conduit Adapter Kit (must be factory installed to maintain warranty)</b>			
3/8-24 nipple	<b>31533*</b>	1 lb	\$37.00
3/8-24 to 1/4-18NPT	<b>31534*</b>	1 lb	\$37.00

\* PN 31533 and PN 31534 must be installed together to form the Conduit Adapter Kit

### Dimensions

Rated Capacity	A1	A2	A3	B	C	D	E	F	G	H
lb/in										
250 to 4,000	1/2-20 UNF	0.60	0.53	5.12	1.25	1.25	0.62	1.00	3.00	0.50
5,000 to 10,000	3/4-16 UNF	0.75	0.78	6.75	1.50	1.50	0.75	1.50	3.75	0.75



SINGLE-ENDED BEAM  
**RL32018S-T**

Stainless Steel, Hermetically Sealed, NTEP Certified, 1:5,000 Class III Multiple Cell, IP69K



Picture is a representation of actual product.

Approvals

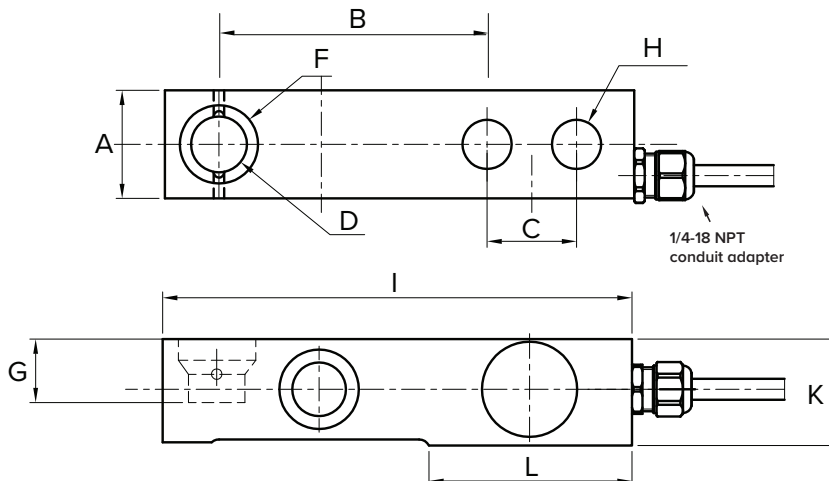


Order Information

Load Rating	Part #	Est. Weight	Price
<b>15 ft Cable</b>			
500 lb	189189	3 lb	\$477.00
1,250 lb	189190	3 lb	\$477.00
2,500 lb	189191	3 lb	\$477.00
5,000 lb	189192	5 lb	\$630.00
10,000 lb	189193	5 lb	\$758.00
<b>30 ft Cable</b>			
500 lb	191974	3 lb	\$503.00
1,250 lb	191975	3 lb	\$503.00
2,500 lb	191976	3 lb	\$503.00
5,000 lb	191977	5 lb	\$662.00
10,000 lb	191978	5 lb	\$790.00
<b>Replacement load pins</b>			
Rocker pin 500 to 2.5 K	108612	1 lb	\$85.00
Rocker pin 5 K	130408	1 lb	\$90.00
Rocker pin 10 K	131376	1 lb	\$130.00
O-ring (two per pin)	108202	1 lb	\$1.00

Dimensions

Rated Capacity	A	B	C	D	F	G	H	I	K	L
500 to 1,250 lb/in	1.21	3.00	1.00	0.62	0.88	0.68	0.51	5.25	1.19	2.27
2,500	1.21	3.00	1.00	0.62	0.88	0.68	0.51	5.25	1.19	2.27
5,000	1.44	3.00	1.00	0.62	0.88	0.90	0.51	5.38	1.44	2.28
10,000	1.69	3.75	1.50	0.88	1.38	1.15	0.76	6.75	1.69	2.91



Interchangeable Products

- METTLER TOLEDO®  
**TB600529-500 lb**
- METTLER TOLEDO  
**TB600363-1,250 lb**
- METTLER TOLEDO  
**TB600342-2,500 lb**
- METTLER TOLEDO  
**TB600343-5,000 lb**
- METTLER TOLEDO  
**TB600364-10,000 lb**
- HBK®  
**THC**

Weigh Module Available

RICE LAKE WEIGHING SYSTEMS  
**RLTM**..... page 56

Specifications

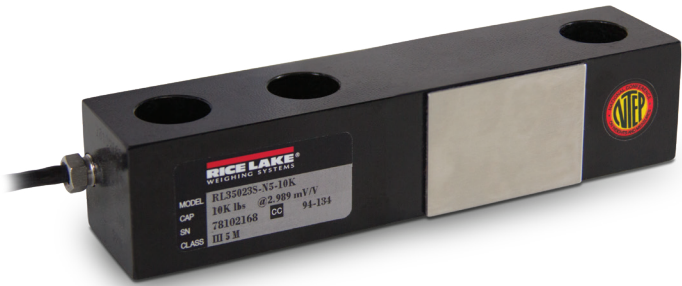
- Full Scale Output:**  
 2.0 mV/V ± 0.05%  
 mV/V/ohm calibration
- Output Resistance:**  
 350 (± 3) ohm
- Input Resistance:**  
 400 (± 20) ohm
- Material/Finish:**  
 Stainless steel
- Temperature:**  
 Compensated:  
 14 °F to 104 °F (-10 °C to 40 °C)  
 Operating:  
 0 °F to 150 °F (-18 °C to 65 °C)
- Seal Type:**  
 Hermetically sealed, IP69K
- Safe Overload:**  
 150% full scale
- Rated Excitation:**  
 5 to 10 VDC
- Combined Error:**  
 0.017% full scale
- Insulation Resistance:**  
 5,000 megohm
- Cable Length:**  
 15 ft  
 30 ft
- Cable Color Code:**  
 Green +Excitation  
 Black -Excitation  
 White +Signal  
 Red -Signal  
 Shield is attached to element
- Warranty:**  
 Two-year limited
- Approvals:**  
 cFMus  
 NTEP 18-106

RICE LAKE  
LOAD CELLS

**Discontinued**

# SINGLE-ENDED BEAM RL35023S MLC Coated

Stainless Steel, Environmentally Sealed, NTEP Certified 1:5,000 Class III Multiple Cell, IP67



Picture is a representation of actual product.

**Approvals**



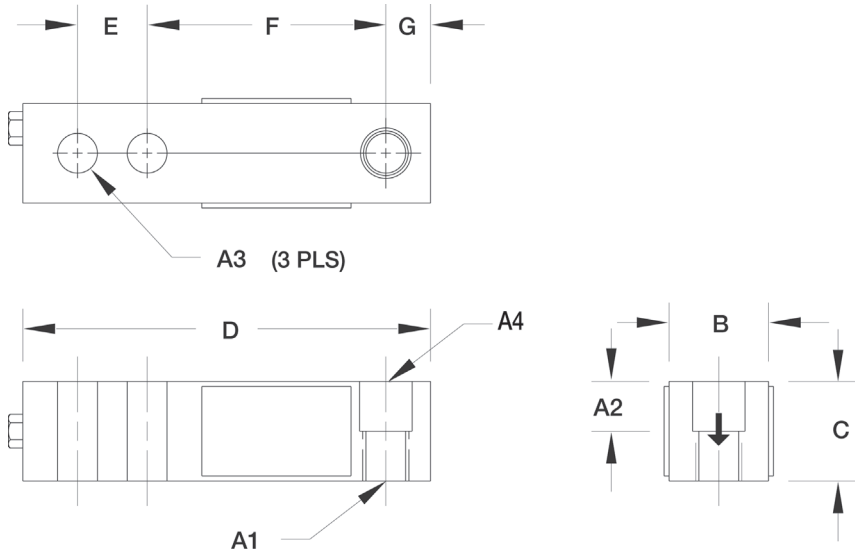
**Order Information**

Load Rating	Part #	Est. Weight	Price
10,000 lb	<b>182759</b>	3 lb	\$466.00
<b>Conduit Adapter Kit (must be factory installed to maintain warranty)</b>			
3/8-24 nipple	<b>31533*</b>	1 lb	\$37.00
3/8-24 to 1/4-18 NPT	<b>31534*</b>	1 lb	\$37.00

\* PN 31533 and PN 31534 must be installed together to form the Conduit Adapter Kit

**Dimensions**

Rated Capacity	A1	A2	A3	A4	B	C	D	E	F	G
10,000 lb/in	3/4-16 UNF	0.75	0.78	0.78 dia	1.50	1.50	6.75	1.50	3.75	0.75



**Interchangeable Products**

- VPG® SENSORTRONICS®  
**65023S\*** ..... page 283
- VPG SENSORTRONICS  
**65023SS\*** ..... page 282
- VPG® CELTRON®  
**SQB-HSS\*** ..... page 192

**Weigh Module Available**

- RICE LAKE WEIGHING SYSTEMS  
**RL50210TA**..... page 41
- RICE LAKE WEIGHING SYSTEMS  
**RL1800 Series**..... page 52

\*Cells are uncoated

**Specifications**

- Full Scale Output:**  
3.0 mV/V
- Output Resistance:**  
349 to 355 ohm
- Input Resistance:**  
343 to 357 ohm
- Material/Finish:**  
Stainless steel, coated
- Temperature:**  
Compensated:  
14 °F to 104 °F (-10 °C to 40 °C)  
Operating:  
0 °F to 150 °F (-18 °C to 65 °C)
- Seal Type:**  
Environmentally sealed, IP67
- Safe Overload:**  
150% full scale
- Safe Sideload:**  
100% full scale
- Rated Excitation:**  
5 to 10 VDC (15 V maximum)
- Combined Error:**  
0.02% full scale
- Insulation Resistance:**  
5,000 megohm
- Deflection at Capacity:**  
10,000 lb: 0.025 to 0.035 in
- Cable Length:**  
20 ft
- Cable Diameter:**  
0.200 in  
Polyurethane jacket
- Cable Color Code:**  
Red +Excitation  
Black -Excitation  
Green +Signal  
White -Signal
- Warranty:**  
Two-year limited
- Approvals:**  
cFMus  
NTEP 94-134

**RICE LAKE  
LOAD CELLS**

# RLHTO

Stainless Steel, Hermetically Sealed, IP66/68



Picture is a representation of actual product.

### Approvals

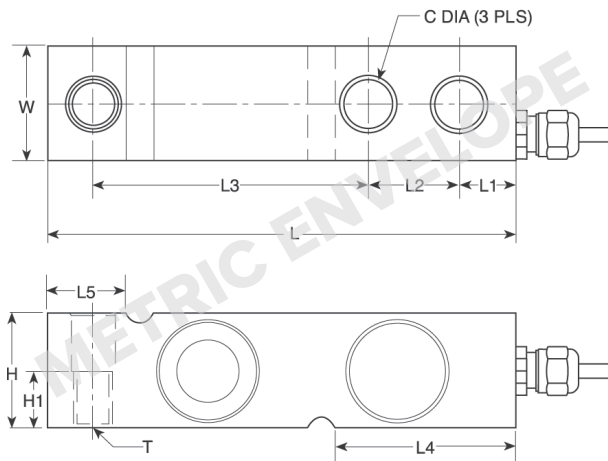


### Order Information

Load Rating	Part #	Est. Weight	Price
500 kg	31253	3 lb	\$514.00
1,000 kg	31250	3 lb	\$514.00
2,000 kg	31251	3 lb	\$514.00
5,000 kg	31252	5 lb	\$588.00

### Dimensions

Rated Capacity	C	H	H1	L	L1	L2	L3	L4	L5	T	W
kg/mm											
500 to 2,000	13.5	32.0	16.0	130.0	15.8	25.4	76.2	50.5	23.5	M12 x 1.75	32.0
5,000	20.5	48.0	—	171.5	19.0	38.1	95.3	70.0	37.0	—	36.5



RICE LAKE  
LOAD CELLS

### Interchangeable Products

VPG® TEDEA-HUNTLEIGH®

3510-OIML ..... page 308

### Weigh Module Available

RICE LAKE WEIGHING SYSTEMS

1700 HE .....page 33

### Specifications

**Full Scale Output:**

2.0 mV/V

**Output Resistance:**

350 (± 3) ohm

**Input Resistance:**

380 (± 10) ohm

**Material/Finish:**

Stainless steel

**Temperature:**

Operating:  
0 °F to 150 °F (-18 °C to 65 °C)

**Seal Type:**

Hermetically sealed, IP66/68

**Safe Overload:**

150% full scale

**Safe Sideload:**

100% full scale

**Rated Excitation:**

5 to 10 VDC (15 V maximum)

**Combined Error:**

0.02% applied load

**Insulation Resistance:**

2,000 megohm

**Deflection at Capacity:**

0.4 mm

**Cable Length:**

5 m

**Cable Diameter:**

0.220 in  
Polyurethane jacket

**Cable Color Code:**

Blue +Excitation  
Black -Excitation  
White +Signal  
Red - Signal  
Green +Sense  
Grey -Sense

**Warranty:**

Two-year limited

**Approvals:**

cFMus





Picture is a representation of actual product.

**Approvals**

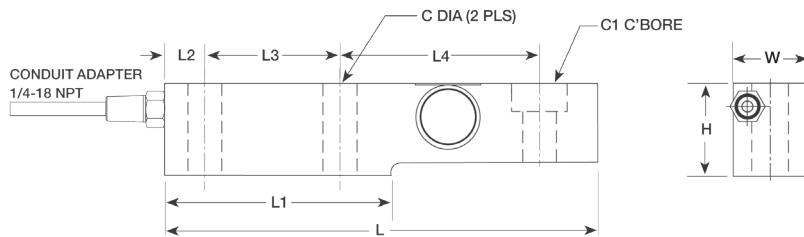


**Order Information**

Load Rating	Part #	Est. Weight	Price
1,000 lb	<b>34310</b>	5 lb	\$636.00
2,000 lb	<b>34311</b>	5 lb	\$636.00
5,000 lb	<b>34312</b>	6 lb	\$636.00
10,000 lb	<b>34313</b>	10 lb	\$758.00
Options			
Load cell button (1 K to 5 K)	<b>26112</b>	—	\$37.00

**Dimensions**

Rated Capacity	C	C1	H	L	L1	L2	L3	L4	W
lb/in									
1,000 to 5,000	0.53	0.68 thru C'Bore 1.19 x 0.47 DP	1.88	8.00	4.00	0.75	2.50	3.88	1.44
10,000	0.88	1.00 thru C'Bore 1.63 x 0.62 DP	2.75	9.25	4.62	0.81	2.63	4.88	1.88



**Interchangeable Products**

ARTECH®  
**SS30610**

**Weigh Module Available**

RICE LAKE WEIGHING SYSTEMS  
**RL1900 Series**..... page 55

**Specifications**

**Full Scale Output:**

2.0 mV/V

**Bridge Resistance:**

350 ohm, nominal

**Material/Finish:**

Stainless steel

**Temperature:**

Compensated:

14 °F to 104 °F (-10 °C to 40 °C)

Operating:

0 °F to 150 °F (-18 °C to 65 °C)

**Seal Type:**

Welded-seal, IP67

**Safe Overload:**

150% full scale

**Safe Sideload:**

100% full scale

**Rated Excitation:**

5 to 10 VDC (15 V maximum)

**Combined Error:**

0.02% full scale

**Non-repeatability:**

0.01% full scale

**Insulation Resistance:**

5,000 megohm

**Cable Length:**

15 ft

**Cable Diameter:**

0.200 in  
Polyurethane jacket

**Cable Color Code:**

Green +Excitation  
Black -Excitation  
White +Signal  
Red -Signal

**Warranty:**

Two-year limited

**Approvals:**

cFMus  
NTEP 96-053

**RICE LAKE  
LOAD CELLS**

# RLSB250/RLSB250T

Stainless Steel, Welded Seal, NTEP Certified 1:5,000 Class III Multiple Cell, IP67



Picture is a representation of actual product.

### Approvals

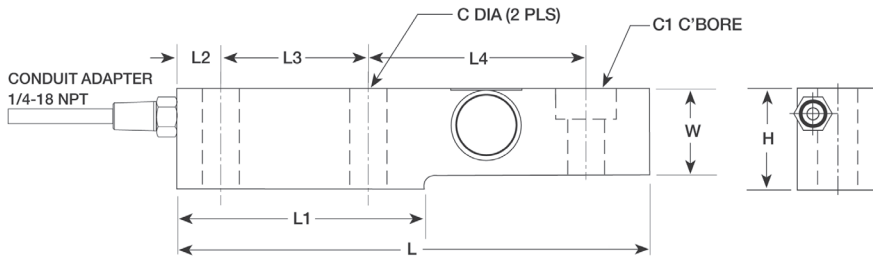


### Order Information

Load Rating	Part #	Est. Weight	Price
<b>Threaded</b>			
2,500 lb	116053	6 lb	\$636.00
5,000 lb	116054	6 lb	\$742.00
<b>Thru Hole</b>			
2,500 lb	34482	6 lb	\$636.00
10,000 lb	116055	10 lb	\$742.00
<b>Options</b>			
Load cell button	116084	—	\$11.00

### Dimensions

Rated Capacity	C	C1	H	L	L1	L2	L3	L4	T	W
2,500	0.53	1.20 x 0.75 DP	1.93	8.00	4.00	0.75	2.50	3.88	3/4-16 UNF	1.25
5,000	0.53	1.20 x 0.75 DP	1.93	8.00	4.00	0.75	2.50	3.88	3/4-16 UNF	1.45
10,000	—	1.20 x 0.75 DP	2.46	9.00	4.00	0.75	2.00	5.25	—	1.62



### Interchangeable Products

CARDINAL®  
**SB2500\***  
 \*No threads in load hole

### Specifications

- Full Scale Output:** 2.0 mV/V
- Bridge Resistance:** 350 ohm, nominal
- Material/Finish:** Stainless steel
- Temperature:** Compensated: 14 °F to 104 °F (-10 °C to 40 °C)  
Operating: 0 °F to 150 °F (-18 °C to 65 °C)
- Seal Type:** Welded-seal, IP67
- Safe Overload:** 150% full scale
- Safe Sideload:** 100% full scale
- Rated Excitation:** 5 to 10 VDC (15 V maximum)
- Combined Error:** 0.02% full scale
- Non-repeatability:** 0.01% full scale
- Insulation Resistance:** 5,000 megohm
- Cable Length:** 20 ft  
PN 34482: 15 ft
- Cable Diameter:** 0.200 in  
Polyurethane jacket
- Cable Color Code:** Green +Excitation  
Black -Excitation  
White +Signal  
Red -Signal
- Warranty:** Two-year limited
- Approvals:** cMus  
NTEP 96-053

RICE LAKE  
LOAD CELLS



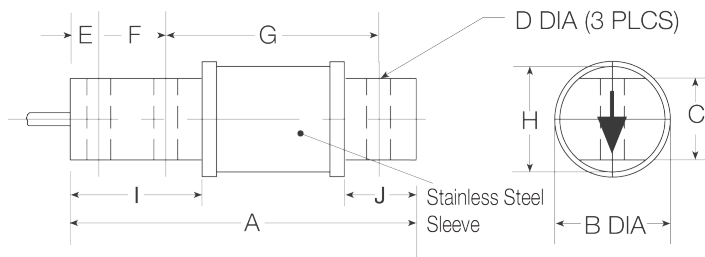
Picture is a representation of actual product.

### Order Information

Load Rating	Part #	Est. Weight	Price
25 lb	194014	2 lb	\$450.00
50 lb	194015	2 lb	\$450.00
75 lb	194016	2 lb	\$450.00
100 lb	194017	2 lb	\$450.00
150 lb	194018	2 lb	\$450.00
250 lb	194019	2 lb	\$450.00
500 lb	194020	2 lb	\$450.00

### Dimensions

Rated Capacity	A	B	C	D	E	F	G	H	I	J
lb/in										
25 to 500	2.81	1.30	0.62	0.26	0.25	0.50	1.81	1.00	1.00	0.50



### Interchangeable Products

- RICE LAKE WEIGHING SYSTEMS  
**RL50210 (alloy)**..... page 122
- RICE LAKE WEIGHING SYSTEMS  
**RL60040SST**

### Weigh Module Available

- RICE LAKE WEIGHING SYSTEMS  
**RL50219SS-TA**..... page 45

### Specifications

- Full Scale Output:**  
3.0 mV/V
- Output Resistance:**  
350 (± 3) ohm
- Input Resistance:**  
380 to 450 ohm
- Material/Finish:**  
Stainless steel
- Temperature:**  
Operating:  
0 °F to 150 °F (-18 °C to 65 °C)
- Seal Type:**  
Environmentally sealed, IP65
- Safe Overload:**  
150% full scale
- Rated Excitation:**  
5 to 10 VDC
- Nonlinearity:**  
0.03% full scale
- Hysteresis:**  
0.02% full scale
- Combined Error:**  
0.017% full scale
- Insulation Resistance:**  
5,000 megohm
- Cable Length:**  
20 ft
- Cable Color Code:**  
Red +Excitation  
Black -Excitation  
Green +Signal  
White -Signal
- Warranty:**  
Two-year limited

# RL50210

Alloy Steel, Environmentally Sealed, IP65



Picture is a representation of actual product.

### Approvals

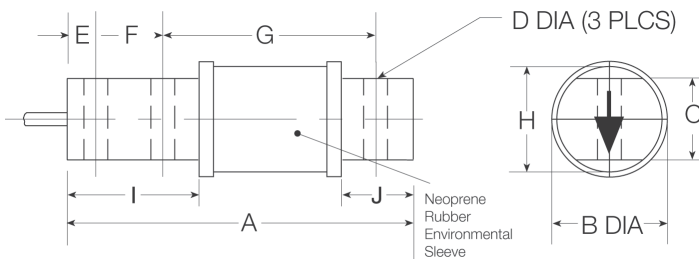


### Order Information

Load Rating	Part #	Est. Weight	Price
25 lb	17385	2 lb	\$260.00
50 lb	17380	2 lb	\$260.00
100 lb	17381	2 lb	\$260.00
150 lb	17382	2 lb	\$260.00
250 lb	17383	2 lb	\$260.00
500 lb	17384	2 lb	\$260.00

### Dimensions

Rated Capacity	A	B	C	D	E	F	G	H	I	J
lb/in										
25 to 500	2.81	1.30	0.62	0.26	0.25	0.50	1.81	1.00	1.00	0.50



RICE LAKE  
LOAD CELLS

### Interchangeable Products

- RICE LAKE WEIGHING SYSTEMS
- RL50219SS.....page 121
- VPG® SENSORTRONICS®
- 60040 ..... page 286
- ARTECH®
- 50210
- VPG® REVERE
- 5503

### Weigh Module Available

- RICE LAKE WEIGHING SYSTEMS
- RL50210TA..... page 41

### Specifications

- Full Scale Output:**  
3.0 mV/V
- Output Resistance:**  
349 to 355 ohm
- Input Resistance:**  
360 to 450 ohm
- Material/Finish:**  
High-alloy steel, nickel plated
- Temperature:**  
Operating:  
0 °F to 150 °F (-18 °C to 65 °C)
- Seal Type:**  
Environmentally sealed with neoprene sleeve, IP65
- Safe Overload:**  
150% full scale
- Rated Excitation:**  
5 to 10 VDC (15 V maximum)
- Nonlinearity:**  
0.03% full scale
- Hysteresis:**  
0.02% full scale
- Insulation Resistance:**  
5,000 megohm
- Deflection at Capacity:**  
25 to 50 lb: 0.008 in  
100 lb: 0.010 in  
150 lb: 0.012 in  
250 lb: 0.016 in  
500 lb: 0.025 in
- Cable Length:**  
20 ft
- Cable Diameter:**  
0.200 in  
Polyurethane jacket
- Cable Color Code:**  
Red +Excitation  
Black -Excitation  
Green +Signal  
White -Signal
- Warranty:**  
Two-year limited
- Approvals:**  
cFMus



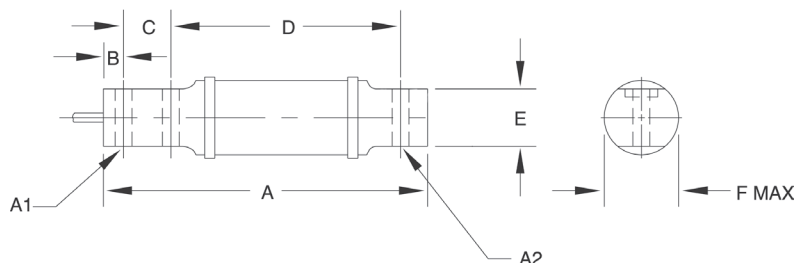
Picture is a representation of actual product.

## Order Information

Load Rating	Part #	Est. Weight	Price
50 lb	17395	3 lb	\$418.00
100 lb	17343	3 lb	\$418.00
200 lb	17396	3 lb	\$418.00
250 lb	17397	3 lb	\$418.00
500 lb	17398	3 lb	\$418.00
1,000 lb	17344	3 lb	\$418.00
2,500 lb	17345	9 lb	\$662.00

## Dimensions

Rated Capacity	A	A1	A2	B	C	D	E	F	G	H
lb/in										
50 to 100	6.00	0.31	0.31	0.38	0.88	4.25	1.06	1.41	—	—
200 to 1,000	6.62	0.52	0.52	0.50	1.12	4.25	1.06	1.41	—	—
2,500	11.38	0.53	0.62	0.50	1.75	8.25	1.25	2.19	1.19	0.12



## Interchangeable Products

HBK®

**BBS** ..... page 225

VPG® SENSORTRONICS®

**65087**

FAIRBANKS®

**3-481XX-1**

FAIRBANKS

**3-48660-1**

ARTECH®

**40310**

## Specifications

### Full Scale Output:

2.0 mV/V

### Output Resistance:

831 (± 5) ohm

### Input Resistance:

750 (±5) ohm

### Material/Finish:

High-alloy steel, nickel plated

### Temperature:

Operating:

0 °F to 150 °F (-18 °C to 65 °C)

### Seal Type:

Environmentally sealed with neoprene sleeve, IP65

### Safe Overload:

150% full scale

### Rated Excitation:

5 to 10 VDC (15 V maximum)

### Nonlinearity:

0.03% full scale

### Hysteresis:

0.02% full scale

### Insulation Resistance:

5,000 megohm

### Deflection at Capacity:

50 lb: 0.015 in

100 lb: 0.005 in

200 to 250 lb: 0.030 in

500 lb: 0.025 in

1,000 lb: 0.040 in

2,500 lb: 0.120 in

### Cable Length:

10 ft

### Cable Diameter:

0.200 in

Polyurethane jacket

### Cable Color Code:

Green +Excitation

Black -Excitation

White +Signal

Red -Signal

### Warranty:

Two-year limited

# RL32011WB-L

Stainless Steel, Environmentally Sealed, NTEP Certified 1:5,000 Class III Multiple Cell, Potted, IP67



Picture is a representation of actual product.

### Approvals

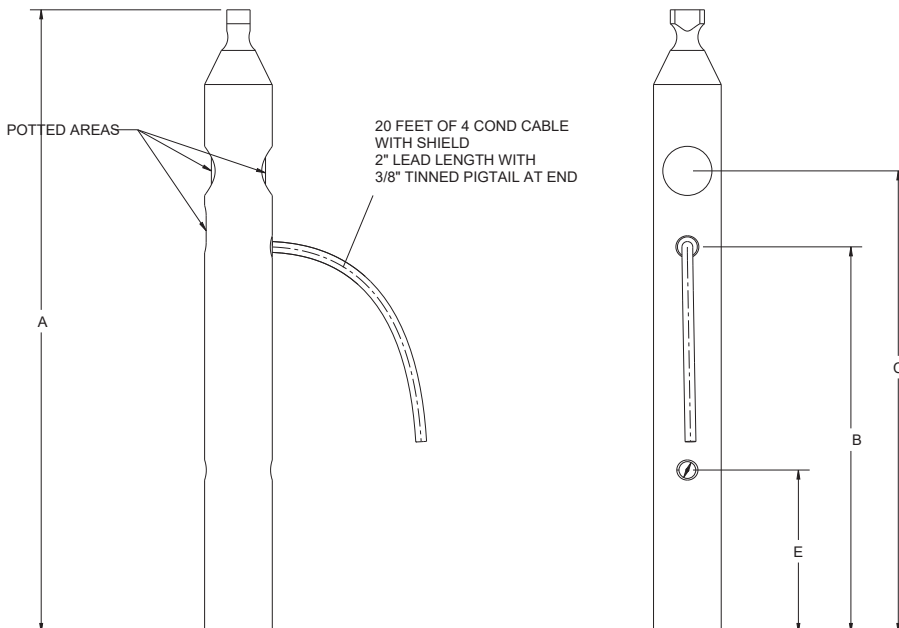
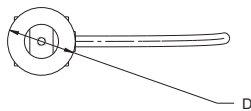


### Order Information

Load Rating	Part #	Est. Weight	Price
1,250 lb	119788	5 lb	\$730.00
5,000 lb	119790	9 lb	\$850.00
10,000 lb	119791	17 lb	\$950.00

### Dimensions

Rated Capacity lb/in	A	B	C	D	E
1,250	11.50	7.12	8.52	1.25	3.0
5,000	10.9	5.5	7.4	2.0	3.0
10,000	12.6	5.9	8.0	2.5	3.0



### Interchangeable Products

AVERY WEIGH TRONIX®  
Weigh Bar

### Specifications

- Full Scale Output:**  
2.0 (± 0.1%) mV/V
- Output Resistance:**  
350 (± 3) ohm
- Input Resistance:**  
385 (± 10) ohm
- Material/Finish:**  
Stainless steel
- Temperature:**  
Compensated:  
14 °F to 104 °F (-10 °C to 40 °C)  
Operating:  
0 °F to 150 °F (-18 °C to 65 °C)
- Seal Type:**  
Environmentally sealed, IP67
- Safe Overload:**  
150% full scale
- Safe Sideload:**  
100% full scale
- Rated Excitation:**  
5 to 10 VDC
- Combined Error:**  
0.02% full scale
- Non-repeatability:**  
± 0.01% full scale
- Insulation Resistance:**  
5,000 megohm
- Cable Length:**  
20 ft
- Cable Diameter:**  
0.190 in  
Polyurethane jacket
- Cable Color Code:**  
Green +Excitation  
Black -Excitation  
White +Signal  
Red -Signal
- Warranty:**  
Two-year limited
- Approvals:**  
NTEP 11-024



Picture is a representation of actual product.

**Approvals**

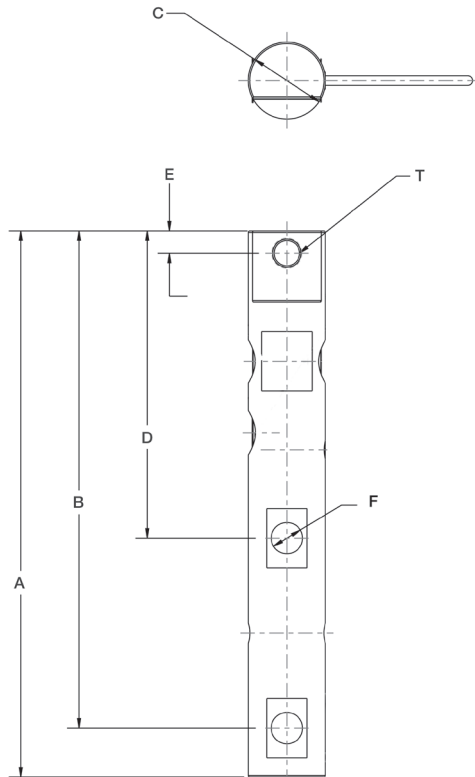


**Order Information**

Load Rating	Part #	Est. Weight	Price
1,250 lb	<b>119796</b>	3 lb	\$525.00
2,500 lb	<b>119797</b>	3 lb	\$525.00

**Dimensions**

Rated Capacity lb/in	A	B	C	D	E	F	T
1,250	11.50	10.47	1.25	6.47	0.47	0.53	1/2-13 UNC
2,500	11.50	10.47	1.62	6.47	0.47	0.66	5/8-11 UNC



**Interchangeable Products**

AVERY WEIGH TRONIX®  
**Weigh Bar**

**Specifications**

**Full Scale Output:**

2.0 (± 0.1%) mV/V

**Output Resistance:**

350 (± 3) ohm

**Input Resistance:**

385 (± 10) ohm

**Material/Finish:**

Stainless steel

**Temperature:**

Compensated:

14 °F to 104 °F (-10 °C to 40 °C)

Operating:

0 °F to 150 °F (-18 °C to 65 °C)

**Seal Type:**

Environmentally sealed, IP67

**Safe Overload:**

150% full scale

**Safe Sideload:**

100% full scale

**Rated Excitation:**

5 to 10 VDC

**Combined Error:**

0.02% full scale

**Non-repeatability:**

± 0.01% full scale

**Insulation Resistance:**

5,000 megohm

**Cable Length:**

20 ft

**Cable Diameter:**

0.190 in

Polyurethane jacket

**Cable Color Code:**

Green +Excitation

Black -Excitation

White +Signal

Red -Signal

**Warranty:**

Two-year limited

**Approvals:**

NTEP 11-024

# RL72020

Alloy Steel, Environmentally Sealed, NTEP Certified 1:5,000 Class III/1:10,000 Class IIIIL Multiple Cell, IP67



Picture is a representation of actual product.

### Approvals

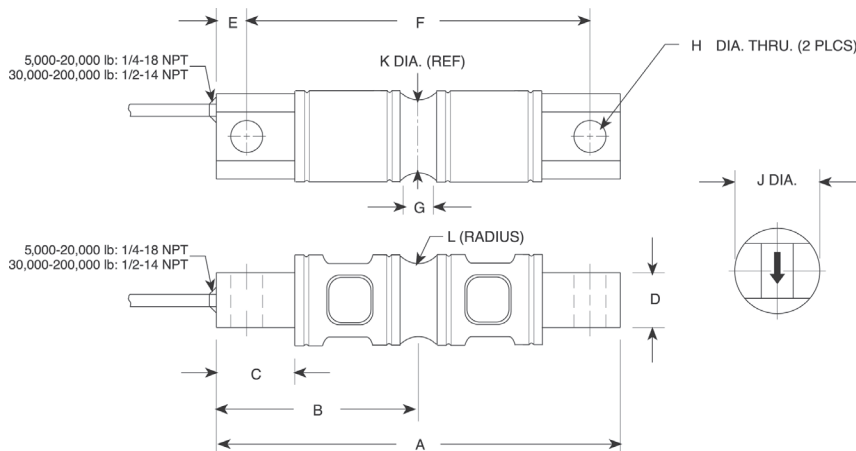


### Order Information

Load Rating	Part #	Est. Weight	Price
<b>NTEP</b>			
5,000 lb	201758	5 lb	\$695.00
10,000 lb	201759	6 lb	\$695.00
20,000 lb	201760	7 lb	\$695.00
30,000 lb	201761	18 lb	\$800.00
40,000 lb	201762	18 lb	\$800.00
50,000 lb	201763	18 lb	\$800.00
60,000 lb	201764	18 lb	\$800.00
100,000 lb	201765	28 lb	\$1,563.00
150,000 lb	201766	34 lb	\$1,563.00
200,000 lb	201767	90 lb	\$2,940.00
<b>Non-NTEP</b>			
250,000 lb	201768	93 lb	\$2,940.00

### Dimensions

Rated Capacity	A	B	C	D	E	F	G	H	J	K	L
lb/in											
5,000 to 10,000	8.12	4.06	1.44	1.12	0.62	6.88	0.62	0.66	1.70	1.48	0.50
20,000	8.12	4.06	1.44	1.12	0.62	6.88	0.84	0.66	1.95	1.48	0.50
30,000 to 60,000	10.25	5.12	1.88	2.37	0.88	8.50	1.00	1.06	3.20	2.73	1.00
100,000	11.25	5.62	1.88	2.50	0.88	9.50	1.00	1.06	3.50	3.24	1.50
150,000	11.25	5.62	1.88	2.80	0.88	9.50	1.25	1.06	3.90	3.64	1.50
200,000 to 250,000	16.10	8.05	3.05	4.60	1.55	13.00	1.30	1.56	5.38	5.17	2.00



### Interchangeable Products

VPG® REVERE

**5103\*** ..... page 255

ARTECH®

**70210**

METTLER-TOLEDO®

**SLD 430**

\*Conduit adapter optional

### Weigh Module Available

RICE LAKE WEIGHING SYSTEMS

**EZ Mount 1**..... page 65

### Specifications

#### Full Scale Output:

3.0 mV/V

#### Output Resistance:

700 (± 5) ohm

#### Input Resistance:

5 to 10 k: 700 (± 14) ohm  
20 to 150 k: 770 (± 10) ohm  
200 to 250 k: 700 (± 14) ohm

#### Material/Finish:

High-alloy steel, nickel plated

#### Temperature:

Compensated:  
14 °F to 104 °F (-10 °C to 40 °C)  
Operating:  
0 °F to 150 °F (-18 °C to 65 °C)

#### Seal Type:

Environmentally sealed, IP67

#### Safe Overload:

150% full scale

#### Safe Sideload:

100% full scale

#### Rated Excitation:

5 to 10 VDC (15 V maximum)

#### Combined Error:

0.02% full scale

#### Insulation Resistance:

5,000 megohm

#### Deflection at Capacity:

5,000 lb: 0.02 in  
10,000 lb: 0.025 in  
20,000 lb: 0.042 in  
30,000 to 50,000 lb: 0.02 in  
60,000 lb: 0.025 in  
100,000 lb: 0.02 in

#### Cable Length:

30 ft

#### Cable Color Code:

Red +Excitation  
Black -Excitation  
Green +Signal  
White -Signal

#### Warranty:

Two-year limited

#### Approvals:

cFMus  
NTEP 21-064



**Interchangeable Products**

VPG® REVERE  
**9103**.....page 256

**Weigh Module Available**

RICE LAKE WEIGHING SYSTEMS  
**EZ Mount 1 SS**.....page 67

**Specifications**

- Full Scale Output:**  
3.0 mV/V
- Output Resistance:**  
700 (± 5) ohm
- Input Resistance:**  
700 (± 10) ohm
- Material/Finish:**  
Stainless steel
- Temperature:**  
Operating:  
14 °F to 104 °F (-10 °C to 40 °C)
- Seal Type:**  
Environmentally sealed, IP67
- Safe Overload:**  
150% full scale
- Safe Sideload:**  
100% full scale
- Rated Excitation:**  
5 to 10 VDC
- Combined Error:**  
0.02% full scale
- Insulation Resistance:**  
5,000 megohm

- Cable Length:**  
30 ft polyurethane jacket
- Cable Color Code:**  
Red +Excitation  
Black -Excitation  
Green +Signal  
White -Signal

**Warranty:**  
Two-year limited

**Approvals:**  
NTEP 21-064  
cFMus



Picture is a representation of actual product.

**Approvals**

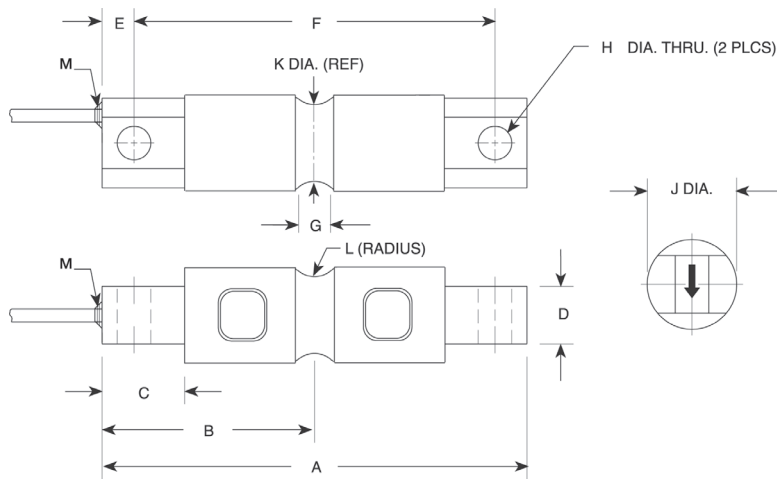


**Order Information**

Load Rating	Part #	Est. Weight	Price
<b>NTEP Certified</b>			
10,000 lb	<b>201781</b>	5 lb	\$820.00
20,000 lb	<b>201782</b>	7 lb	\$900.00
30,000 lb	<b>201783</b>	18 lb	\$1,033.00
40,000 lb	<b>201784</b>	18 lb	\$1,033.00
50,000 lb	<b>201785</b>	18 lb	\$1,033.00
60,000 lb	<b>201786</b>	18 lb	\$1,033.00
100,000 lb	<b>201787</b>	28 lb	\$1,960.00
<b>Non-NTEP Certified</b>			
5,000 lb	<b>201780</b>	5 lb	\$820.00
150,000 lb	<b>201788</b>	34 lb	\$2,173.00

**Dimensions**

Rated Capacity	A	B	C	D	E	F	G	H	J	K	L	M
lb/in												
5,000 to 10,000	8.12	4.06	1.44	1.12	0.62	6.88	0.62	0.66	1.70	1.48	0.50	1/4-18 NPT
20,000	8.12	4.06	1.44	1.12	0.62	6.88	0.84	0.66	1.95	1.48	0.50	1/4-18 NPT
30,000 to 60,000	10.25	5.12	1.88	2.37	0.88	8.50	1.00	1.06	3.20	2.73	1.00	1/2-14 NPT
100,000	11.25	5.62	1.88	2.50	0.88	9.50	1.00	1.06	3.50	3.24	1.50	1/2-14 NPT
150,000	11.25	5.62	1.88	2.80	0.88	9.50	1.25	1.06	3.90	3.64	1.50	1/2-14 NPT



**RICE LAKE  
LOAD CELLS**

# RL72020 MLC Coated

Alloy Steel, Environmentally Sealed, NTEP Certified 1:5,000 Class III/1:10,000 Class IIIIL Multiple Cell, IP67



Picture is a representation of actual product.

### Approvals

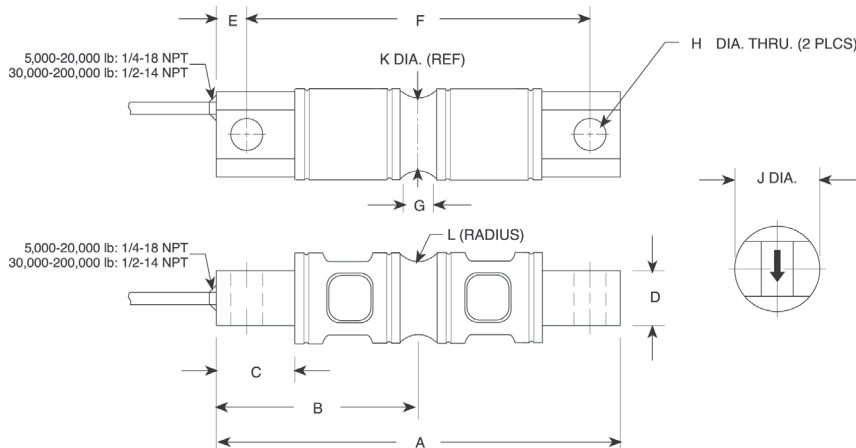


### Order Information

Load Rating	Part #	Est. Weight	Price
<b>NTEP</b>			
5,000 lb	201769	5 lb	\$720.00
10,000 lb	201770	6 lb	\$720.00
20,000 lb	201771	7 lb	\$720.00
30,000 lb	201772	18 lb	\$826.00
40,000 lb	201773	18 lb	\$826.00
50,000 lb	201774	18 lb	\$826.00
60,000 lb	201775	18 lb	\$826.00
100,000 lb	201776	28 lb	\$1,615.00
150,000 lb	201777	34 lb	\$1,615.00
200,000 lb	201778	90 lb	\$2,990.00
<b>Non-NTEP</b>			
250,000 lb	201779	93 lb	\$2,990.00

### Dimensions

Rated Capacity	A	B	C	D	E	F	G	H	J	K	L
lb/in											
5,000 to 10,000	8.12	4.06	1.44	1.12	0.62	6.88	0.62	0.66	1.70	1.48	0.50
20,000	8.12	4.06	1.44	1.12	0.62	6.88	0.84	0.66	1.95	1.48	0.50
30,000 to 60,000	10.25	5.12	1.88	2.37	0.88	8.50	1.00	1.06	3.20	2.73	1.00
100,000	11.25	5.62	1.88	2.50	0.88	9.50	1.00	1.06	3.50	3.24	1.50
150,000	11.25	5.62	1.88	2.80	0.88	9.50	1.25	1.06	3.90	3.64	1.50
200,000 to 250,000	16.10	8.05	3.05	4.60	1.55	13.00	1.30	1.56	5.38	5.17	2.00



### Interchangeable Products

VPG® REVERE

5103\* ..... page 255

ARTECH®

70210

METTLER TOLEDO®

SLD 430

\*Cells are uncoated

### Weigh Module Available

RICE LAKE WEIGHING SYSTEMS

EZ Mount 1..... page 68

### Specifications

#### Full Scale Output:

3.0 mV/V

#### Output Resistance:

5 to 10 k: 703 (± 4) ohm  
 20 to 150 k: 700 (± 5) ohm  
 200 to 250 k: 700 (± 5) ohm

#### Input Resistance:

5 to 10 k: 700 (± 14) ohm  
 20 to 150 k: 770 (± 10) ohm  
 200 to 250 k: 700 (± 14) ohm

#### Material/Finish:

Alloy steel, coated

#### Temperature:

Compensated:  
 14 °F to 104 °F (-10 °C to 40 °C)  
 Operating:  
 0 °F to 150 °F (-18 °C to 65 °C)

#### Seal Type:

Environmentally sealed, IP67

#### Safe Overload:

150% full scale

#### Safe Sideload:

100% full scale

#### Rated Excitation:

5 to 10 VDC (15 V maximum)

#### Combined Error:

0.02% full scale

#### Insulation Resistance:

5,000 megohm

#### Deflection at Capacity:

5,000 lb: 0.02 in  
 10,000 lb: 0.025 in  
 20,000 lb: 0.042 in  
 30,000 to 50,000 lb: 0.02 in  
 60,000 lb: 0.025 in  
 100,000 lb: 0.02 in

#### Cable Length:

30 ft

#### Cable Diameter:

5,000 to 20,000 lb: 0.200 in  
 30,000 to 250,000 lb: 0.305 in  
 Polyurethane jacket

#### Cable Color Code:

Red +Excitation  
 Black -Excitation  
 Green +Signal  
 White -Signal

#### Warranty:

Two-year limited

#### Approvals:

cFMus  
 NTEP 21-064



Picture is a representation of actual product.

**Approvals**

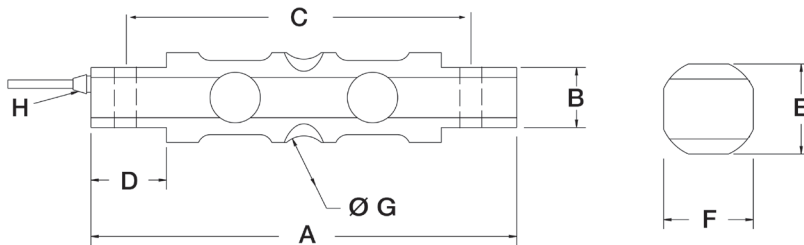


**Order Information**

Load Rating	Part #	Est. Weight	Price
5,000 lb	194021	5 lb	\$1,160.00
10,000 lb	194022	5 lb	\$1,160.00
20,000 lb	194023	5 lb	\$1,160.00
30,000 lb	194024	20 lb	\$1,585.00
40,000 lb	194025	20 lb	\$1,585.00
50,000 lb	194026	20 lb	\$1,585.00
60,000 lb	194027	20 lb	\$1,585.00

**Dimensions**

Rated Capacity	A	B	C	D	E	F	ØG	H
lb/in								
5,000 to 20,000	8.12	1.14	6.88	1.44	1.71	1.71	1.00	1/4-18 NPT
30,000 to 60,000	10.25	2.38	8.50	1.88	3.03	3.03	2.00	1/2-14 NPT



**Interchangeable Products**

VPG® REVERE  
**9103**..... page 256

**Weigh Module Available**

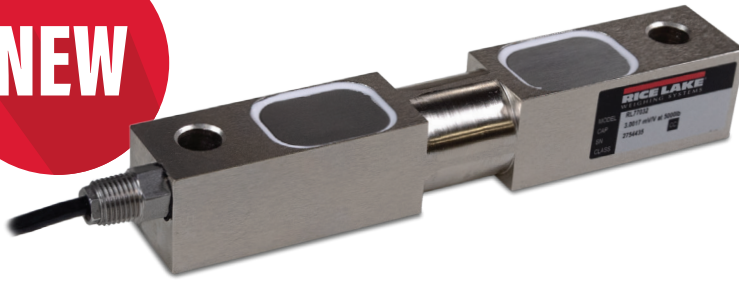
RICE LAKE WEIGHING SYSTEMS  
**EZ Mount 1 HE**..... page 69

**Specifications**

- Full Scale Output:**  
3.0 mV/V
- Output Resistance:**  
700 (± 5) ohm
- Input Resistance:**  
800 (± 30) ohm
- Material/Finish:**  
Stainless steel
- Temperature:**  
Operating:  
0 °F to 150 °F (-18 °C to 65 °C)
- Seal Type:**  
Welded-seal, IP68
- Safe Overload:**  
150% full scale
- Rated Excitation:**  
5 to 10 VDC
- Nonlinearity:**  
0.03% full scale
- Hysteresis:**  
0.5% full scale
- Insulation Resistance:**  
5,000 megohm
- Cable Length:**  
25 ft
- Cable Color Code:**  
Red +Excitation  
Black -Excitation  
Green +Signal  
White -Signal
- Warranty:**  
Two-year limited
- Approvals:**  
cFMus  
NTEP 21-064

# RL77032

Alloy Steel, Environmentally Sealed, IP67



Picture is a representation of actual product.

### Approvals

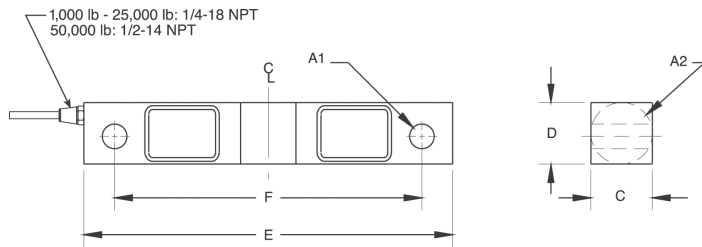


### Order Information

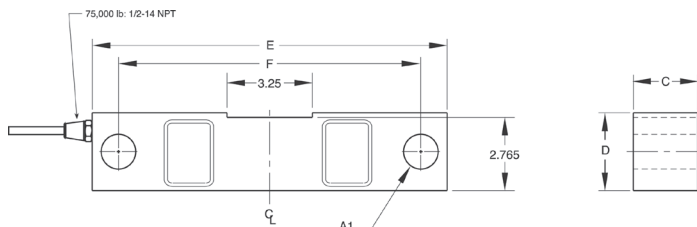
Load Rating	Part #	Est. Weight	Price
1,000 lb	221536	4 lb	\$555.00
1,500 lb	221537	4 lb	\$555.00
2,000 lb	221538	4 lb	\$555.00
2,500 lb	221539	4 lb	\$555.00
3,000 lb	221540	4 lb	\$555.00
5,000 lb	221541	4 lb	\$555.00
10,000 lb	221542	7 lb	\$635.00
15,000 lb	221543	7 lb	\$635.00
20,000 lb	221544	7 lb	\$635.00
25,000 lb	221545	7 lb	\$635.00
50,000 lb	221546	25 lb	\$980.00
75,000 lb	221547	27 lb	\$980.00

### Dimensions

Rated Capacity lb/in	A1	A2	C	D	E	F
1,000 to 50,000	0.50	1.25	1.25	1.25	7.50	6.25
10,000 to 25,000	0.81	1.99	1.44	1.94	8.75	7.50
50,000	1.31	3.00	2.44	2.94	13.50	11.50
75,000	1.31	-	2.44	2.94	13.50	11.50



1,000 to 50,000lb



75,000lb

### Interchangeable Products

- RICE LAKE WEIGHING SYSTEMS  
**RL75016** ..... page 133
- VPG® SENSORTRONICS®  
**65016** ..... page 290

### Weigh Module Available

- RICE LAKE WEIGHING SYSTEMS  
**RL1600 Series** ..... page 72

### Specifications

- Full Scale Output:**  
3.0 mV/V
- Output Resistance:**  
700 (± 5) ohm
- Input Resistance:**  
770 (± 10) ohm
- Material/Finish:**  
High-alloy steel, nickel plated
- Temperature:**  
Operating:  
0 °F to 150 °F (-18 °C to 65 °C)
- Seal Type:**  
Environmentally sealed, IP67
- Safe Overload:**  
150% full scale
- Safe Sideload:**  
100% full scale
- Rated Excitation:**  
5 to 10 VDC
- Nonlinearity:**  
0.03% full scale
- Hysteresis:**  
0.02% full scale
- Deflection at Capacity:**  
1,000 to 2,500 lb: 0.01 in  
5,000 lb: 0.015 in  
10,000 to 20,000 lb: 0.022 in  
25,000 lb: 0.036 in  
50,000 lb: 0.052 in  
75,000 lb: 0.07 in
- Insulation Resistance:**  
5,000 megohm
- Cable Length:**  
25 ft  
Polyurethane jacket
- Cable Color Code:**  
Red +Excitation  
Black -Excitation  
Green +Signal  
White -Signal
- Warranty:**  
Two-year limited
- Approvals:**  
cFMus

RICE LAKE  
LOAD CELLS



Picture is a representation of actual product.

**Approvals**

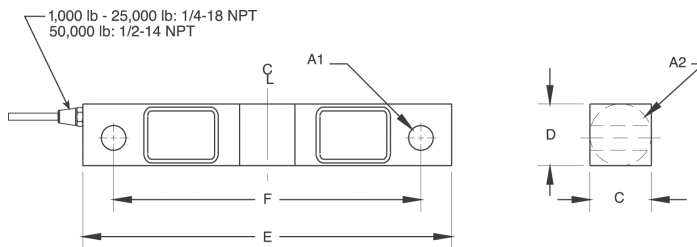


**Order Information**

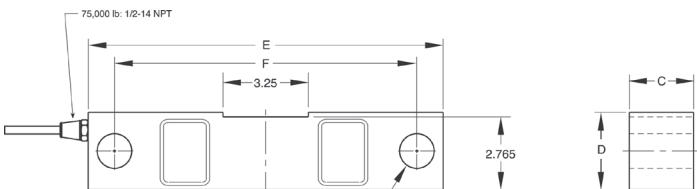
Load Rating	Part #	Est. Weight	Price
1,000 lb	221548	4 lb	\$580.00
1,500 lb	221549	4 lb	\$580.00
2,000 lb	221550	4 lb	\$580.00
2,500 lb	221551	4 lb	\$580.00
5,000 lb	221552	4 lb	\$580.00
10,000 lb	221553	7 lb	\$660.00
15,000 lb	221554	7 lb	\$660.00
20,000 lb	221555	7 lb	\$660.00
25,000 lb	221556	7 lb	\$660.00
50,000 lb	221557	25 lb	\$1,298.00
75,000 lb	221558	27 lb	\$1,298.00

**Dimensions**

Rated Capacity	A1	A2	C	D	E	F
lb/in						
1,000 to 50,000	0.50	1.25	1.25	1.25	7.50	6.25
10,000 to 25,000	0.81	1.99	1.44	1.94	8.75	7.50
50,000	1.31	3.00	2.44	2.94	13.50	11.50
75,000	1.31	-	2.44	2.94	13.50	11.50



1,000 to 50,000lb



75,000lb

**Interchangeable Products**

- RICE LAKE WEIGHING SYSTEMS  
**RL75016SS**..... page 135
- RICE LAKE WEIGHING SYSTEMS  
**RL77032SS HE**..... page 132
- RICE LAKE WEIGHING SYSTEMS  
**RL75016S-W**..... page 136
- VPG® SENSORTRONICS®  
**65016**..... page 290

**Weigh Module Available**

- RICE LAKE WEIGHING SYSTEMS  
**RL1600 Series**..... page 74

**Specifications**

- Full Scale Output:**  
3.0 mV/V
- Output Resistance:**  
700 (± 5) ohm
- Input Resistance:**  
770 (± 10) ohm
- Material/Finish:**  
Stainless steel
- Temperature:**  
Operating:  
0 °F to 150 °F (-18 °C to 65 °C)
- Seal Type:**  
Environmentally sealed, IP67
- Safe Overload:**  
150% full scale
- Safe Sideload:**  
100% full scale
- Rated Excitation:**  
5 to 10 VDC
- Nonlinearity:**  
0.07% full scale
- Hysteresis:**  
0.02% full scale
- Deflection at Capacity:**  
1,000 to 2,500 lb: 0.01 in  
5,000 lb: 0.015 in  
10,000 to 20,000 lb: 0.022 in  
25,000 lb: 0.036 in  
50,000 lb: 0.052 in  
75,000 lb: 0.07 in
- Insulation Resistance:**  
5,000 megohm
- Cable Length:**  
25 ft  
Polyurethane
- Cable Color Code:**  
Red +Excitation  
Black -Excitation  
Green +Signal  
White -Signal
- Warranty:**  
Two-year limited
- Approvals:**  
cFMus

**RICE LAKE  
LOAD CELLS**

# RL77032SS HE

Stainless Steel, Hermetically Sealed, IP69K



Picture is a representation of actual product.

## Approvals

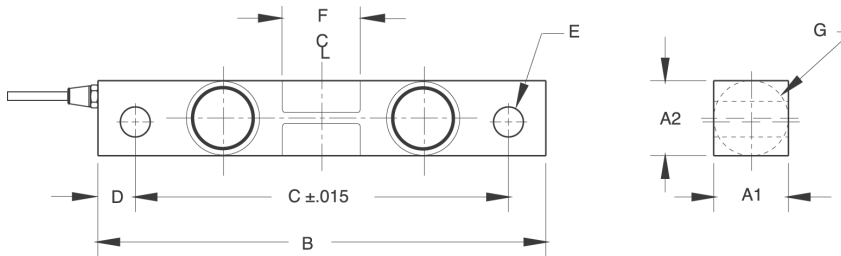


## Order Information

Load Rating	Part #	Est. Weight	Price
1,000 lb	221559	4 lb	\$735.00
1,500 lb	221560	4 lb	\$735.00
2,000 lb	221561	4 lb	\$735.00
2,500 lb	221562	4 lb	\$735.00
5,000 lb	221563	4 lb	\$735.00
10,000 lb	221564	7 lb	\$830.00
15,000 lb	221565	7 lb	\$830.00
20,000 lb	221566	7 lb	\$830.00
25,000 lb	221567	7 lb	\$830.00

## Dimensions

Rated Capacity	A1	A2	B	C	D	E	F	G	CONDUIT ADAPTER
lb/in									
1,000 to 5,000	1.22	1.22	7.50	6.25	0.62	0.50	1.12	1.25	1/2-14 NPT
10,000 to 25,000	1.44	1.94	8.75	7.50	0.62	0.81	1.62	1.99	1/2-14 NPT



RICE LAKE  
LOAD CELLS

## Interchangeable Products

- RICE LAKE WEIGHING SYSTEMS  
RL75016WHE..... page 137
- VPG® SENSORTRONICS®  
65016WH..... page 292

## Weigh Module Available

- RICE LAKE WEIGHING SYSTEMS  
RL1600 HE Series.....page 76

## Specifications

- Full Scale Output:**  
3.0 mV/V
- Output Resistance:**  
700 (± 5) ohm
- Input Resistance:**  
770 (± 10) ohm
- Material/Finish:**  
Stainless steel
- Temperature:**  
Operating:  
0 °F to 150 °F (-18 °C to 65 °C)
- Seal Type:**  
Hermetically sealed, IP69K
- Safe Overload:**  
150% full scale
- Safe Sideload:**  
100% full scale
- Rated Excitation:**  
5 to 10 VDC
- Nonlinearity:**  
0.03% full scale
- Hysteresis:**  
0.02% full scale
- Deflection at Capacity:**  
1,000 lb: 0.01 in  
5,000 lb: 0.015 in  
10,000 to 20,000 lb: 0.022 in  
25,000 lb: 0.036 in  
50,000 lb: 0.052 in  
75,000 lb: 0.07 in
- Insulation Resistance:**  
5,000 megohm
- Cable Length:**  
25 ft  
Polyurethane jacket
- Cable Color Code:**  
Red +Excitation  
Black -Excitation  
Green +Signal  
White -Signal
- Warranty:**  
Two-year limited
- Approvals:**  
cFMus



Picture is a representation of actual product.

### Approvals



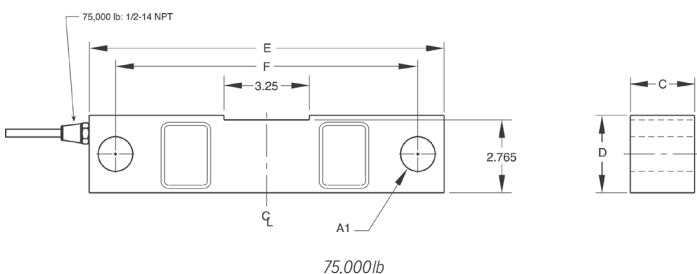
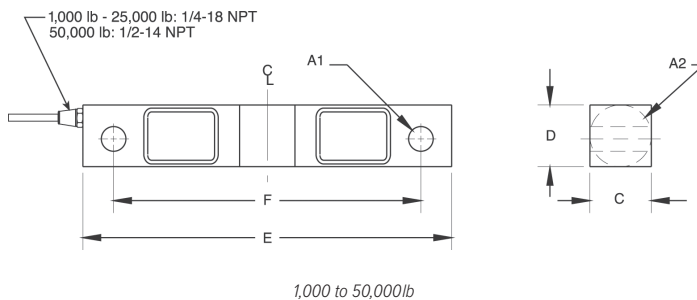
### Order Information

Load Rating	Part #	Est. Weight	Price
1,000 lb	17300	4 lb	\$556.00
1,500 lb	17302	4 lb	\$556.00
2,000 lb	17304	4 lb	\$556.00
2,500 lb	17306	4 lb	\$556.00
3,000 lb	17308	4 lb	\$556.00
5,000 lb	17309	4 lb	\$556.00
10,000 lb	17311	7 lb	\$636.00
15,000 lb	17313	7 lb	\$636.00
20,000 lb	17315	7 lb	\$636.00
25,000 lb	17317	7 lb	\$636.00
50,000 lb	17319	25 lb	\$980.00
75,000 lb*	25357	27 lb	\$980.00

\*75,000lb capacity has a square center

### Dimensions

Rated Capacity	A1	A2	C	D	E	F
lb/in						
1,000 to 5,000	0.50	1.25	1.25	1.25	7.50	6.25
10,000 to 25,000	0.81	1.99	1.44	1.94	8.75	7.50
50,000	1.31	3.00	2.44	2.94	13.50	11.50
75,000	1.31	—	2.44	2.94	13.50	11.50



### Interchangeable Products

- RICE LAKE WEIGHING SYSTEMS
- RL77032.....page 130
- VPG® CELTRON®
- DSR.....page 195
- VPG® SENSORTRONICS®
- 65016.....page 290
- VPG® REVERE
- 5203

### Weigh Module Available

- RICE LAKE WEIGHING SYSTEMS
- RL1600 Series.....page 70

### Specifications

- Full Scale Output:** 3.0 mV/V
- Output Resistance:** 700 (± 5) ohm
- Input Resistance:** 770 (± 10) ohm
- Material/Finish:** High-alloy steel, nickel plated
- Temperature:** Operating: 0 °F to 150 °F (-18 °C to 65 °C)
- Seal Type:** Environmentally sealed, IP67
- Safe Overload:** 150% full scale
- Safe Sideload:** 100% full scale
- Rated Excitation:** 5 to 10 VDC (15 V maximum)
- Nonlinearity:** 0.03% full scale
- Hysteresis:** 0.02% full scale
- Insulation Resistance:** 5,000 megohm
- Deflection at Capacity:** 1,000 to 3,000 lb: 0.01 in  
5,000 lb: 0.015 in  
10,000 to 20,000 lb: 0.022 in  
25,000 lb: 0.036 in  
50,000 lb: 0.052 in  
75,000 lb: 0.07 in
- Cable Length:** 25 ft
- Cable Diameter:** 1,000 to 25,000 lb: 0.200 in  
50,000 to 75,000 lb: 0.305 in  
Polyurethane jacket
- Cable Color Code:** Red +Excitation  
Black -Excitation  
Green +Signal  
White -Signal
- Warranty:** Two-year limited
- Approvals:** cFMus

RICE LAKE LOAD CELLS

# RL75016 MLC Coated

Alloy Steel, Environmentally Sealed, IP67



Picture is a representation of actual product.

## Approvals



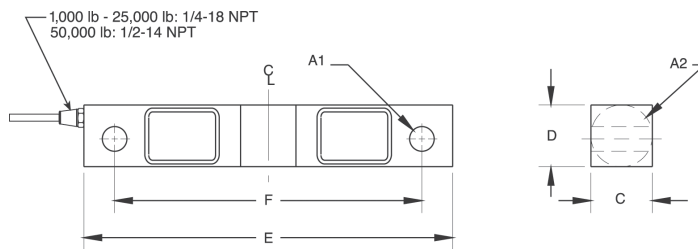
## Order Information

Load Rating	Part #	Est. Weight	Price
1,000 lb	187058	4 lb	\$583.00
1,500 lb	187059	4 lb	\$583.00
2,000 lb	187060	4 lb	\$583.00
2,500 lb	187061	4 lb	\$583.00
3,000 lb	187062	4 lb	\$583.00
5,000 lb	187063	4 lb	\$583.00
10,000 lb	187064	7 lb	\$662.00
15,000 lb	187065	7 lb	\$662.00
20,000 lb	187066	7 lb	\$662.00
25,000 lb	187067	7 lb	\$662.00
50,000 lb	187068	25 lb	\$1,007.00
75,000 lb*	187069	27 lb	\$1,007.00

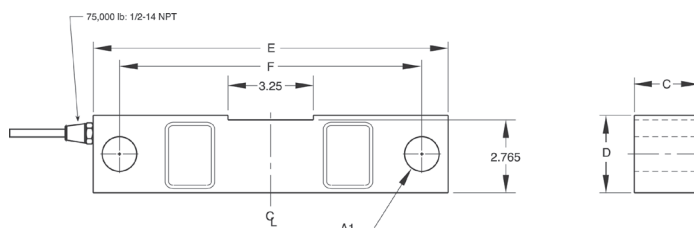
\*75,000lb capacity has a square center

## Dimensions

Rated Capacity	A1	A2	C	D	E	F
1,000 to 5,000	0.50	1.25	1.25	1.25	7.50	6.25
10,000 to 25,000	0.81	1.99	1.44	1.94	8.75	7.50
50,000	1.31	3.00	2.44	2.94	13.50	11.50
75,000	1.31	—	2.44	2.94	13.50	11.50



1,000 to 50,000lb



75,000lb

## Interchangeable Products

RICE LAKE WEIGHING SYSTEMS

**RL75016\*** (Alloy)..... page 133

VPG® CELTRON®

**DSR\*** (Alloy)..... page 195

VPG® SENSORTRONICS®

**65016\*** (Alloy)..... page 290

## Weigh Module Available

RICE LAKE WEIGHING SYSTEMS

**RL1600 Series**..... page 75

\*Cells are uncoated

## Specifications

**Full Scale Output:**

3.0 mV/V

**Output Resistance:**

700 (± 5) ohm

**Input Resistance:**

770 (± 10) ohm

**Material/Finish:**

Alloy steel, coated

**Temperature:**

Operating:  
0 °F to 150 °F (-18 °C to 65 °C)

**Seal Type:**

Environmentally sealed, IP67

**Safe Overload:**

150% full scale

**Safe Sideload:**

100% full scale

**Rated Excitation:**

5 to 10 VDC (15 V maximum)

**Nonlinearity:**

0.03% full scale

**Hysteresis:**

0.02% full scale

**Insulation Resistance:**

5,000 megohm

**Cable Length:**

25 ft

**Cable Color Code:**

Red +Excitation  
Black -Excitation  
Green +Signal  
White -Signal

**Warranty:**

Two-year limited

**Approvals:**

cFMus



Limited Stock Available

# DOUBLE-ENDED BEAM RL75016SS

Stainless Steel, Environmentally Sealed, IP67



Picture is a representation of actual product.

### Approvals



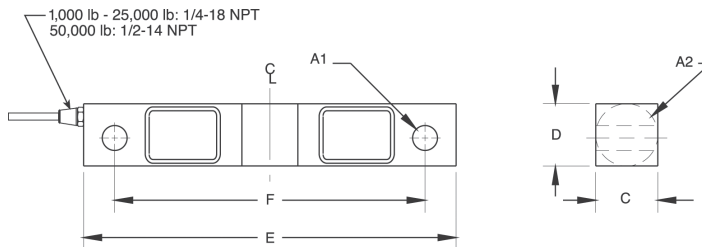
### Order Information

Load Rating	Part #	Est. Weight	Price
1,000 lb	17301	4 lb	\$583.00
1,500 lb	17303	4 lb	\$583.00
2,000 lb	17305	4 lb	\$583.00
2,500 lb	17307	4 lb	\$583.00
5,000 lb	17310	4 lb	\$583.00
10,000 lb	17312	7 lb	\$662.00
15,000 lb	17314	7 lb	\$662.00
20,000 lb	17316	7 lb	\$662.00
25,000 lb	17318	7 lb	\$662.00
50,000 lb	17320	25 lb	\$1,298.00
75,000 lb*	25356	27 lb	\$1,298.00

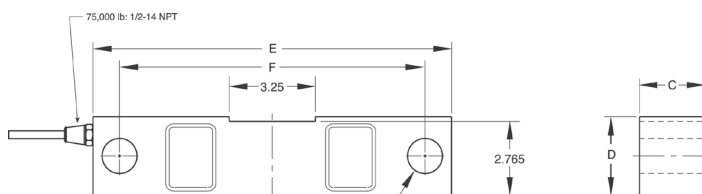
\*75,000lb capacity has a square center

### Dimensions

Rated Capacity lb/in	A1	A2	C	D	E	F
1,000 to 5,000	0.50	1.25	1.25	1.25	7.50	6.25
10,000 to 25,000	0.81	1.99	1.44	1.94	8.75	7.50
50,000	1.31	3.00	2.44	2.94	13.50	11.50
75,000	1.31	—	2.44	2.94	13.50	11.50



1,000 to 50,000lb



75,000lb

### Interchangeable Products

- RICE LAKE WEIGHING SYSTEMS  
**RL77032SS** .....page 131
- RICE LAKE WEIGHING SYSTEMS  
**RL75016WHE\*** ..... page 137
- VPG® SENSORTRONICS®  
**65016W** .....page 291
- VPG SENSORTRONICS  
**65016WH\*** ..... page 292
- VPG® REVERE  
**9203**

### Weigh Module Available

- RICE LAKE WEIGHING SYSTEMS  
**RL1600 Series** .....page 73

### Specifications

- Full Scale Output:**  
3.0 mV/V
- Output Resistance:**  
700 (± 5) ohm
- Input Resistance:**  
770 (± 10) ohm
- Material/Finish:**  
Stainless steel
- Temperature:**  
Operating:  
0 °F to 150 °F (-18 °C to 65 °C)
- Seal Type:**  
Environmentally sealed, IP67
- Safe Overload:**  
150% full scale
- Safe Sideload:**  
100% full scale
- Rated Excitation:**  
5 to 10 VDC (15 V maximum)
- Nonlinearity:**  
0.07% full scale
- Hysteresis:**  
0.02% full scale
- Insulation Resistance:**  
5,000 megohm
- Deflection at Capacity:**  
1,000 to 3,000 lb: 0.01 in  
5,000 lb: 0.015 in  
10,000 to 20,000 lb: 0.022 in  
25,000 lb: 0.036 in  
50,000 lb: 0.052 in  
75,000 lb: 0.07 in
- Cable Length:**  
25 ft
- Cable Diameter:**  
1,000 to 25,000 lb: 0.200 in  
50,000 to 75,000 lb: 0.305 in  
Polyurethane jacket
- Cable Color Code:**  
Red +Excitation  
Black -Excitation  
Green +Signal  
White -Signal
- Warranty:**  
Two-year limited
- Approvals:**  
cFMus

RICE LAKE  
LOAD CELLS

# RL75016SS-W

Stainless Steel, Welded Seal, IP67



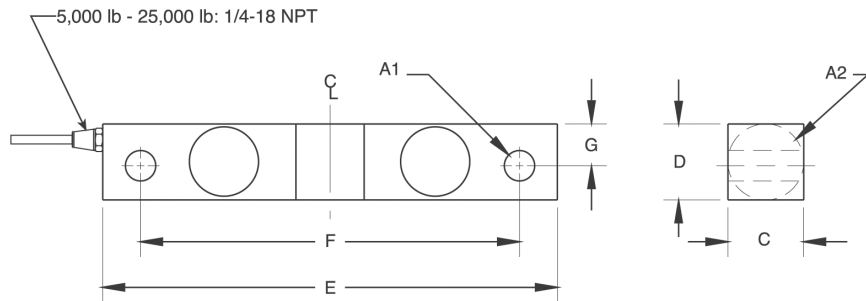
Picture is a representation of actual product.

## Order Information

Load Rating	Part #	Est. Weight	Price
5,000 lb	168115	4 lb	\$630.00
10,000 lb	168116	7 lb	\$715.00
15,000 lb	168117	7 lb	\$715.00
20,000 lb	168118	7 lb	\$715.00
25,000 lb	168119	7 lb	\$715.00

## Dimensions

Rated Capacity	A1	A2	C	D	E	F	G
lb/in							
5,000	0.50	1.25	1.25	1.25	7.50	6.25	0.69
10,000 to 25,000	0.81	1.99	1.44	1.94	8.75	7.50	0.96



RICE LAKE  
LOAD CELLS

## Interchangeable Products

- RICE LAKE WEIGHING SYSTEMS  
**RL77032SS HE**..... page 132
- RICE LAKE WEIGHING SYSTEMS  
**RL75016SS**..... page 135
- RICE LAKE WEIGHING SYSTEMS  
**RL75016WHE**..... page 137

## Specifications

- Full Scale Output:**  
3.0 mV/V
- Output Resistance:**  
700 (± 5) ohm
- Input Resistance:**  
770 (± 10) ohm
- Material/Finish:**  
Stainless steel
- Temperature:**  
Operating:  
0 °F to 150 °F (-18 °C to 65 °C)
- Seal Type:**  
Welded-seal, IP67
- Safe Overload:**  
100% full scale
- Rated Excitation:**  
5 to 10 VDC (15 V max)
- Hysteresis:**  
0.02% full scale
- Linearity:**  
0.03% full scale
- Cable Length:**  
25 ft
- Cable Color Code:**  
Red +Excitation  
Black -Excitation  
Green +Signal  
White -Signal
- Warranty:**  
Two-year limited

Limited Stock Available

# DOUBLE-ENDED BEAM RL75016WHE

Stainless Steel, Hermetically Sealed, IP69K



Picture is a representation of actual product.

## Approvals

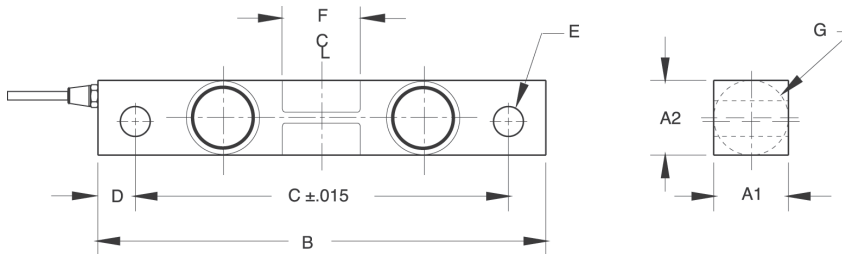


## Order Information

Load Rating	Part #	Est. Weight	Price
1,000 lb	67043	4 lb	\$736.00
1,500 lb	67044	4 lb	\$736.00
2,000 lb	67045	4 lb	\$736.00
2,500 lb	67046	4 lb	\$736.00
5,000 lb	67047	4 lb	\$736.00
10,000 lb	67048	7 lb	\$832.00
15,000 lb	67049	7 lb	\$832.00
20,000 lb	67050	7 lb	\$832.00
25,000 lb	67051	7 lb	\$832.00

## Dimensions

Rated Capacity	A1	A2	B	C	D	E	F	G	CONDUIT ADAPTER
lb/in									
1,000 to 5,000	1.22	1.22	7.50	6.25	0.62	0.50	1.12	1.25	1/2-14 NPT
10,000 to 25,000	1.44	1.94	8.75	7.50	0.62	0.81	1.62	1.99	1/2-14 NPT



## Interchangeable Products

RICE LAKE WEIGHING SYSTEMS	
<b>RL77032SS HE</b> .....	page 132
RICE LAKE WEIGHING SYSTEMS	
<b>RL75016SS*</b> .....	page 135
RICE LAKE WEIGHING SYSTEMS	
<b>RL75016SS-W*</b> .....	page 136
VPG® SENSORTRONICS®	
<b>65016W*</b> .....	page 291
VPG SENSORTRONICS	
<b>65016WH</b> .....	page 292

## Weigh Module Available

RICE LAKE WEIGHING SYSTEMS	
<b>RL1600 Series</b> .....	page 73

\*Welded seal

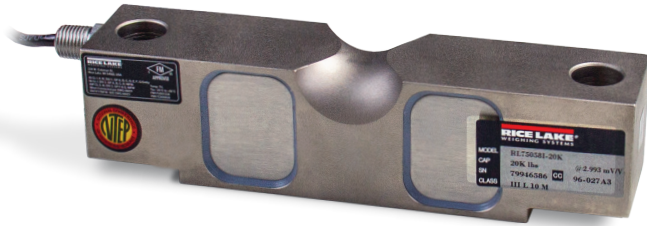
## Specifications

- Full Scale Output:** 3.0 mV/V
- Output Resistance:** 699 to 707 ohm
- Input Resistance:** 686 to 714 ohm
- Material/Finish:** Stainless steel
- Temperature:** Operating range 0 °F to 150 °F (-18 °C to 65 °C)
- Seal Type:** Hermetically sealed, IP69K
- Safe Overload:** 150% full scale
- Safe Sideload:** 100% full scale
- Rated Excitation:** 5 to 10 VDC (15 V maximum)
- Insulation Resistance:** 2,000 megohm
- Cable Length:** 25 ft
- Cable Diameter:** 0.200 in Polyurethane jacket
- Cable Color Code:** Red +Excitation  
Black -Excitation  
Green +Signal  
White -Signal
- Warranty:** Two-year limited
- Approvals:** cFMus

RICE LAKE  
LOAD CELLS

# RL75058I for Rice Lake Coil Scale

Alloy Steel, Environmentally Sealed, NTEP Certified 1:5,000 Class III Multiple Cell, IP67



Picture is a representation of actual product.

### Approvals

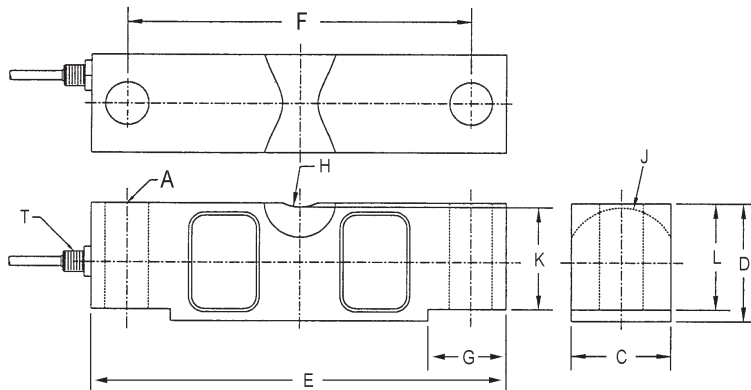


### Order Information

Load Rating	Part #	Est. Weight	Price
20,000 lb	121439	8 lb	\$673.00
25,000 lb	121440	8 lb	\$673.00
40,000 lb	121441	13 lb	\$805.00
50,000 lb	121442	19 lb	\$885.00
60,000 lb	121443	19 lb	\$885.00
75,000 lb	121444	19 lb	\$885.00

### Dimensions

Rated Capacity	A	C	D	E	F	G	H	J	K	L	T
lb/in											
20,000 to 25,000	0.68	1.69	1.94	7.75	6.50	1.38	0.75	0.90	1.63	1.70	1/4-18 NPT
40,000	0.81	1.94	2.44	10.25	8.50	1.93	1.00	1.12	2.00	2.10	1/4-18 NPT
50,000 to 75,000	1.06	2.44	2.94	10.25	8.50	1.93	1.00	1.37	2.54	2.65	1/2-14 NPT



### Specifications

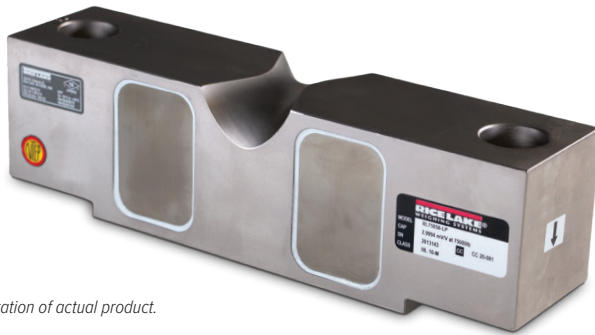
- Full Scale Output:**  
3.0 mV/V
- Output Resistance:**  
699 to 707 ohm
- Input Resistance:**  
686 to 714 ohm
- Material/Finish:**  
High-alloy steel, nickel plated
- Temperature:**  
Compensated:  
14 °F to 104 °F/-10 °C to 40 °C  
Operating:  
0 °F to 150 °F/-18 °C to 65 °C
- Seal Type:**  
Environmentally sealed, IP67
- Safe Overload:**  
150% full scale
- Safe Sideload:**  
100% full scale
- Rated Excitation:**  
5 to 10 VDC (15 V maximum)
- Combined Error:**  
0.02% full scale
- Insulation Resistance:**  
5,000 megohm
- Cable Length:**  
35 ft
- Cable Diameter:**  
20,000 lb: 0.200 in  
40,000 to 75,000 lb: 0.305 in  
Polyurethane jacket
- Cable Color Code:**  
Red +Excitation  
Black -Excitation  
Green +Signal  
White -Signal
- Warranty:**  
Two-year limited
- Approvals:**  
cFMus  
NTEP 98-143

RICE LAKE  
LOAD CELLS



Alloy Steel, Environmentally Sealed, NTEP Certified 1:10,000 Class IIIIL Multiple Cell, IP67

# DOUBLE-ENDED BEAM RL75058-LP



Picture is a representation of actual product.

### Approvals



### Order Information

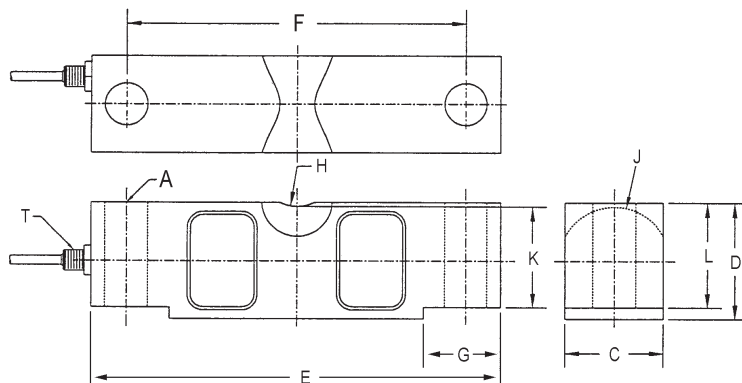
Load Rating	Part #	Est. Weight	Price
<b>NTEP Certified 35 ft Cable</b>			
20,000 lb	197770	8 lb	\$673.00
25,000 lb	197771	8 lb	\$673.00
40,000 lb	197772	13 lb	\$805.00
50,000 lb	197773	19 lb	\$885.00
60,000 lb	197774	19 lb	\$885.00
75,000 lb	197775	19 lb	\$885.00
100,000 lb	197776	40 lb	\$1,669.00
125,000 lb	197777	40 lb	\$1,669.00
<b>Non-NTEP Certified 35 ft Cable</b>			
10,000 lb	197769	8 lb	\$652.00
<b>NTEP Certified 60 ft Cable</b>			
50,000 lb	197778	20 lb	\$995.00
75,000 lb**	197781	20 lb	\$995.00
75,000 lb*	197782	20 lb	\$1,100.00
125,000 lb	197779	40 lb	\$1,800.00
<b>NTEP Certified 100 ft Cable</b>			
75,000 lb	197780	22 lb	\$1,100.00

\*Stainless steel overbraid cable

\*\*Used in Rice Lake truck scales

### Dimensions

Rated Capacity	A	C	D	E	F	G	H	J	K	L	T
lb/in											
10,000 to 25,000	0.68	1.69	1.94	7.75	6.50	1.38	0.75	0.90	1.63	1.70	1/4-18 NPT
40,000	0.81	1.94	2.44	10.25	8.50	1.93	1.00	1.12	2.00	2.10	1/4-18 NPT
50,000 to 75,000	1.06	2.44	2.94	10.25	8.50	1.93	1.00	1.37	2.54	2.65	1/2-14 NPT
100,000 to 125,000	1.62	2.90	3.86	15.25	12.75	3.13	1.50	1.80	3.30	3.43	1/2-14 NPT



### Interchangeable Products

- VPG® SENSORTRONICS®  
**65058A** ..... page 293
- VPG® CELTRON®  
**CLB** ..... page 196
- ARTECH®  
**70210**
- ARTECH®  
**70310**

### Weigh Module Available

- RICE LAKE WEIGHING SYSTEMS  
**RL2100HE** ..... page 36
- RICE LAKE WEIGHING SYSTEMS  
**MVS** ..... page 77

### Specifications

- Full Scale Output:**  
3.0 mV/V
- Output Resistance:**  
700 (± 5) ohm
- Input Resistance:**  
770 (± 10) ohm
- Material/Finish:**  
High-alloy steel, nickel plated
- Temperature:**  
Compensated:  
14 °F to 104 °F (-10 °C to 40 °C)  
Operating:  
0 °F to 150 °F (-18 °C to 65 °C)
- Seal Type:**  
Environmentally sealed, IP67
- Safe Overload:**  
150% full scale
- Safe Sideload:**  
100% full scale
- Rated Excitation:**  
5 to 10 VDC (15 V maximum)
- Combined Error:**  
0.02% full scale
- Insulation Resistance:**  
5,000 megohm
- Cable Length:**  
35 ft  
60 ft  
100 ft
- Cable Diameter:**  
10,000 to 25,000 lb: 0.200 in  
40,000 to 125,000 lb: 0.305 in  
Polyurethane jacket
- Cable Color Code:**  
Red +Excitation  
Black -Excitation  
Green +Signal  
White -Signal
- Warranty:**  
Two-year limited
- Approvals:**  
cFMus  
NTEP 20-081

RICE LAKE  
LOAD CELLS

# RL75058S-LP

Stainless Steel, Hermetically Sealed, NTEP Certified 1:10,000 Class III Multiple Cell, IP68/69K



Picture is a representation of actual product.

### Approvals

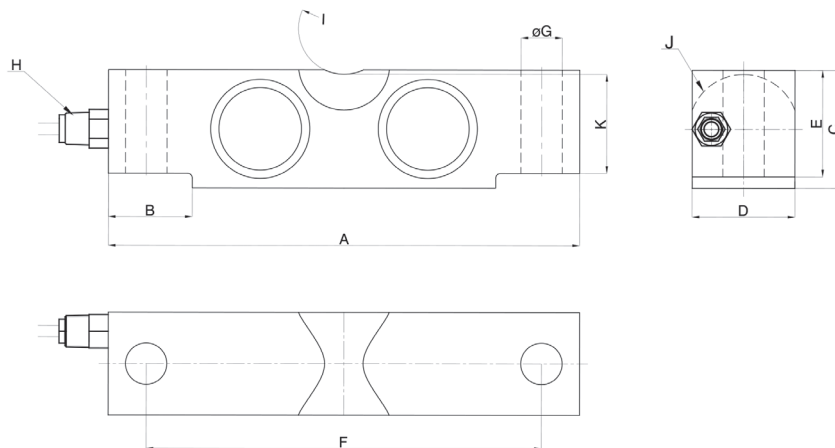


### Order Information

Load Rating	Part #	Est. Weight	Price
<b>NTEP Certified 35 ft Cable</b>			
20,000 lb	197797	8 lb	\$927.00
25,000 lb	197798	8 lb	\$927.00
40,000 lb	198430	13 lb	\$1,160.00
50,000 lb	197799	19 lb	\$1,160.00
60,000 lb	197800	19 lb	\$1,160.00
75,000 lb	197801	19 lb	\$1,160.00
100,000 lb	197803	40 lb	\$1,895.00
125,000 lb	197804	40 lb	Consult
<b>Non-NTEP Certified 35 ft Cable</b>			
10,000 lb	197796	8 lb	\$864.00
<b>NTEP Certified 60 ft Cable</b>			
75,000 lb	197802	20 lb	\$1,240.00

### Dimensions

Rated Capacity	A	B	C	D	E	F	ØG	H	I	J	K
lb/in											
10,000 to 25,000	7.75	1.38	1.94	1.69	1.70	6.50	0.68	1/4-18 NPT	R19.1	R22.9	1.63
40,000	10.25	1.93	2.44	1.94	2.10	8.50	0.81	1/4-18 NPT	R25.4	R28.5	2.00
50,000 to 75,000	10.25	1.93	2.94	2.44	2.65	8.50	1.06	1/2-14 NPT	R25.4	R34.8	2.54
100,000 to 125,000	15.25	3.13	3.86	2.90	3.43	12.75	1.62	1/2-14 NPT	R38.1	R45.7	3.30



### Interchangeable Products

VPG® SENSORTRONICS®  
**65058S**..... page 294

### Weigh Module Available

RICE LAKE WEIGHING SYSTEMS  
**RL2100HE**..... page 36  
 RICE LAKE WEIGHING SYSTEMS  
**MVS**..... page 77

### Specifications

- Full Scale Output:** 3.0 mV/V
- Output Resistance:** 700 (± 7) ohm
- Input Resistance:** 700 (± 14) ohm
- Material/Finish:** Stainless steel
- Temperature:**  
 Compensated: 14 °F to 104 °F (-10 °C to 40 °C)  
 Operating: 0 °F to 150 °F (-18 °C to 65 °C)
- Seal Type:** Hermetically sealed, IP68/IP69K
- Safe Overload:** 150% full scale
- Safe Sideload:** 100% full scale
- Rated Excitation:** 5 to 10 VDC (15 V maximum)
- Combined Error:** 0.02% full scale
- Insulation Resistance:** 5,000 megohm
- Cable Length:** 35 ft, 60 ft
- Cable Diameter:** 10,000 to 25,000 lb: 0.200 in  
 40,000 to 125,000 lb: 0.305 in  
 Polyurethane jacket
- Cable Color Code:**  
 Red +Excitation  
 Black -Excitation  
 Green +Signal  
 White -Signal
- Warranty:** Two-year limited
- Approvals:** cFmus, NTEP 20-081

RICE LAKE  
LOAD CELLS

**Limited Stock Available**

DOUBLE-ENDED BEAM  
**RL75060S**

Stainless Steel, Welded Seal, NTEP Certified 1:5,000 III/1:10,000 Class IIIIL Multiple Cell, IP67



Picture is a representation of actual product.

**Approvals**

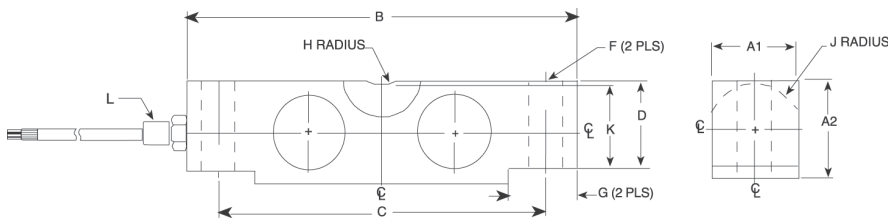


**Order Information**

Load Rating	Part #	Est. Weight	Price
<b>35 ft Cable</b>			
100,000 lb	<b>50564</b>	19 lb	\$2,115.00
<b>60 ft Cable</b>			
25,000 lb	<b>157931</b>	6 lb	\$1,050.00

**Dimensions**

Rated Capacity	F	A1	A2	B	C	G	H	J	K	D	L
lb/in											
25,000	0.68	1.69	1.94	7.75	6.50	1.38	0.75	0.90	1.63	1.70	1/4-18 NPT
100,000	1.06	2.44	3.44	10.25	8.50	1.93	1.00	1.37	2.54	2.65	1/2-14 NPT



**Weigh Module Available**

- RICE LAKE WEIGHING SYSTEMS  
**RL2100HE**..... page 36
- RICE LAKE WEIGHING SYSTEMS  
**MVS**..... page 77

**Specifications**

- Full Scale Output:**  
3.0 mV/V
- Output Resistance:**  
699 to 707 ohm
- Input Resistance:**  
686 to 714 ohm
- Material/Finish:**  
Stainless steel
- Temperature:**  
Compensated:  
14 °F to 104 °F (-10 °C to 40 °C)  
Operating:  
0 °F to 150 °F (-18 °C to 65 °C)
- Seal Type:**  
Welded-seal, IP67
- Safe Overload:**  
150% full scale
- Safe Sideload:**  
100% full scale
- Rated Excitation:**  
5 to 10 VDC (15 V maximum)
- Combined Error:**  
0.02% full scale
- Insulation Resistance:**  
1,000 megohm
- Cable Length:**  
35 ft  
60 ft
- Cable Diameter:**  
25,000 lb: 0.200 in  
100,000 lb: 0.305 in  
Polyurethane jacket
- Cable Color Code:**  
Red +Excitation  
Black -Excitation  
Green +Signal  
White -Signal
- Warranty:**  
Two-year limited
- Approvals:**  
cFMus  
NTEP 96-027

**RICE LAKE  
LOAD CELLS**

# RL75223

Alloy Steel, Welded Seal, NTEP Certified 1:10,000 Class IIIIL Multiple Cell, IP67



Picture is a representation of actual product.

### Approvals

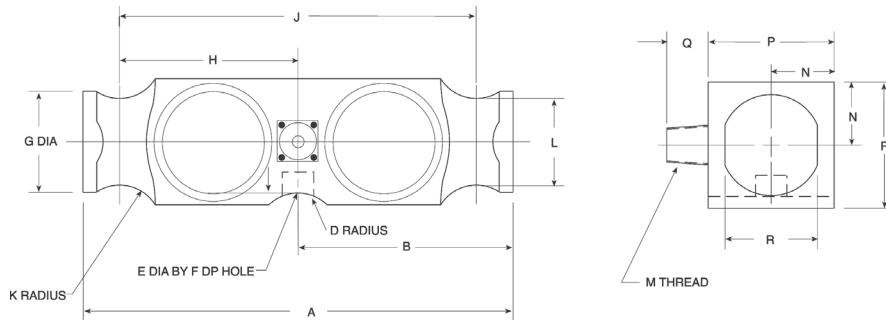


### Order Information

Load Rating	Part #	Est. Weight	Price
<b>40 ft Cable</b>			
50,000 lb	21611	20 lb	\$900.00
65,000 lb	21612	20 lb	\$900.00
100,000 lb	21613	20 lb	\$1,160.00
<b>60 ft Cable</b>			
50,000 lb	107583	20 lb	\$980.00

### Dimensions

Rated Capacity	A	B	D	E	F	G	H	J	K	L	M	N	P	Q	R
50,000 to 65,000	10.25	5.12	1.00	0.75	0.78	2.40	4.25	8.50	1.00	2.06	1/2-14 NPT	1.50	3.00	1.03	2.20
100,000	10.25	5.12	1.00	—	—	2.40	4.25	8.50	1.00	2.06	1/2-14 NPT	1.50	3.00	1.03	2.20



RICE LAKE LOAD CELLS

### Interchangeable Products

- VPG® REVERE  
**5223** .....page 257
- VPG® SENSORTRONICS®  
**65040A-XX-1127W**..... page 298
- ARTECH®  
**80210**
- THURMAN®  
**TSC 800**
- UNIBRIDGE®  
**DL9000**

### Weigh Module Available

- RICE LAKE WEIGHING SYSTEMS  
**Translink™** .....page 78

### Specifications

- Full Scale Output:**  
3.0 mV/V
- Output Resistance:**  
699 to 707 ohm
- Input Resistance:**  
686 to 714 ohm
- Material/Finish:**  
High-alloy steel
- Temperature:**  
Compensated:  
14 °F to 104 °F (-10 °C to 40 °C)  
Operating:  
0 °F to 150 °F (-18 °C to 65 °C)
- Seal Type:**  
Welded-seal, IP67
- Safe Overload:**  
150% full scale
- Safe Sideload:**  
100% full scale
- Rated Excitation:**  
5-10 VDC (15 V maximum)
- Combined Error:**  
0.03% full scale
- Non-repeatability:**  
0.01% full scale
- Insulation Resistance:**  
5,000 megohm
- Deflection at Capacity:**  
50,000 lb: 0.018 in  
65,000 lb: 0.022 in  
100,000 lb: 0.034 in
- Cable Length:**  
40 ft  
60 ft
- Cable Diameter:**  
0.305 in  
Polyurethane jacket
- Cable Color Code:**  
Red +Excitation  
Black -Excitation  
Green +Signal  
White -Signal
- Warranty:**  
Two-year limited
- Approvals:**  
cFMus  
NTEP 97-126



DOUBLE-ENDED BEAM  
**RLDB50000S**

Stainless Steel, Welded Seal, NTEP Certified 1:10,000 IIL Multiple Cell, IP67



Picture is a representation of actual product.

Approvals

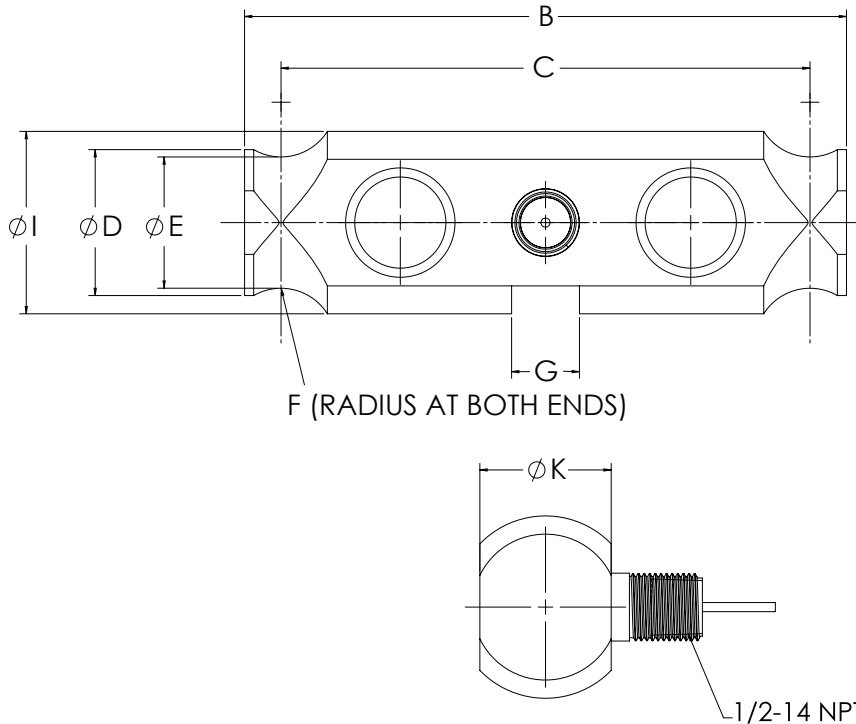


Order Information

Load Rating	Part #	Est. Weight	Price
50,000 lb	<b>91765</b>	10 lb	\$1,266.00

Dimensions

Rated Capacity	B	C	D	E	F	G	K	I
50,000 lb/in	8.25	7.25	2.00	1.76	0.75	0.93	1.80	2.50



Interchangeable Products

CARDINAL®  
DB50000S

Specifications

**Full Scale Output:**

2.0 (± 0.1%) mV/V

**Output Resistance:**

699 to 707 ohm

**Input Resistance:**

686 to 714 ohm

**Material/Finish:**

Stainless steel

**Temperature:**

Compensated:

14 °F to 104 °F (-10 °C to 40 °C)

Operating:

0 °F to 150 °F (-18 °C to 65 °C)

**Seal Type:**

Welded-seal, IP67

**Safe Overload:**

150% full scale

**Safe Sideload:**

100% full scale

**Rated Excitation:**

5 to 10 VDC (15 V maximum)

**Combined Error:**

0.03% full scale

**Non-repeatability:**

0.01% full scale

**Insulation Resistance:**

5,000 megohm

**Deflection at Capacity:**

0.01 in

**Cable Length:**

35 ft

**Cable Diameter:**

0.305 in

Polyurethane jacket

**Cable Color Code:**

Red +Excitation

Black -Excitation

White +Signal

Green -Signal

**Warranty:**

Two-year limited

**Approvals:**

cFMus

NTEP 92-018

RICE LAKE  
LOAD CELLS

# RL75040

Alloy Steel, Environmentally Sealed, NTEP Certified 1:10,000 Class IIIIL Multiple Cell, IP67



Picture is a representation of actual product.

### Approvals



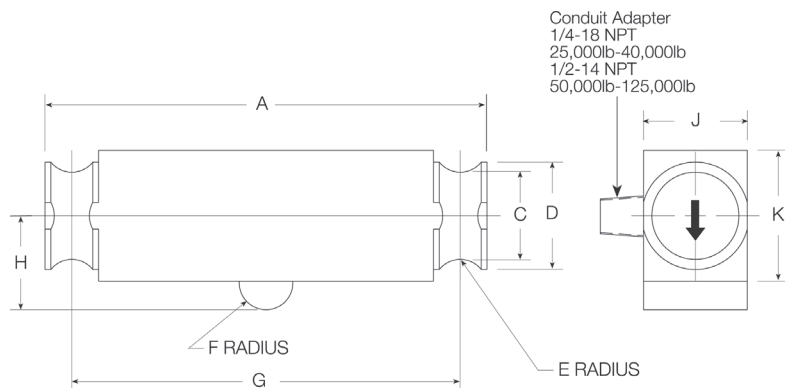
### Order Information

Load Rating	Part #	Est. Weight	Price
<b>35 ft Cable</b>			
25,000 lb	21614	11 lb	\$673.00
40,000 lb	21615	12 lb	\$805.00
50,000 lb LE	21616	17 lb	\$885.00
60,000 lb LE	21617	17 lb	\$885.00
75,000 lb	21618	17 lb	\$885.00
100,000 lb	21619	40 lb	\$1,669.00
125,000 lb	21620	40 lb	\$1,669.00
<b>40 ft Cable</b>			
50,000 lb SE	87253	11 lb	\$805.00
60,000 lb SE	53593	11 lb	\$805.00
<b>50 ft Cable</b>			
50,000 lb LE	21621	18 lb	\$917.00
60,000 lb LE	21622	18 lb	\$917.00
75,000 lb	40951	18 lb	\$917.00

SE=small envelope; LE=large envelope

### Dimensions

Rated Capacity	A	C	D	E	F	G	H	J	K
lb/in									
25,000 to 60,000 SE	8.25	1.63	2.00	0.50	0.50	7.25	1.75	1.94	2.44
50,000 LE to 75,000	11.50	1.70	2.20	0.75	1.00	10.00	2.00	1.94	2.94
100,000 to 125,000	14.50	2.44	3.20	1.00	1.50	12.50	2.75	2.90	3.86



### Interchangeable Products

- VPG® SENSORTRONICS®  
**65040A** ..... page 296
- ARTECH®  
**80310**
- THURMAN®  
**TSC 840**
- SENTRAN  
**WD1**
- ANYLOAD  
**102TH**

### Weigh Module Available

- RICE LAKE WEIGHING SYSTEMS  
**Translink™** .....page 78

### Specifications

- Full Scale Output:**  
3.0 mV/V
- Output Resistance:**  
700 (± 5) ohm
- Input Resistance:**  
770 (± 10) ohm  
pn 87253 and 53593: 686 to 714 ohms
- Material/Finish:**  
High-alloy steel, nickel plated
- Temperature:**  
Compensated:  
14 °F to 104 °F (-10 °C to 40 °C)  
Operating:  
0 °F to 150 °F (-18 °C to 65 °C)
- Seal Type:**  
Environmentally sealed, IP67
- Safe Overload:**  
150% full scale
- Safe Sideload:**  
100% full scale
- Rated Excitation:**  
5 to 10 VDC (15 V maximum)
- Combined Error:**  
0.03% full scale
- Insulation Resistance:**  
1,000 megohm
- Cable Length:**  
35 ft  
40 ft  
50 ft
- Cable Diameter:**  
25,000 lb: 0.200 in  
40,000 to 75,000 lb: 0.305 in  
Polyurethane jacket
- Cable Color Code:**  
Red +Excitation  
Black -Excitation  
Green +Signal  
White -Signal
- Warranty:**  
Two-year limited
- Approvals:**  
cFMus  
NTEP 00-027



Picture is a representation of actual product.

### Approvals

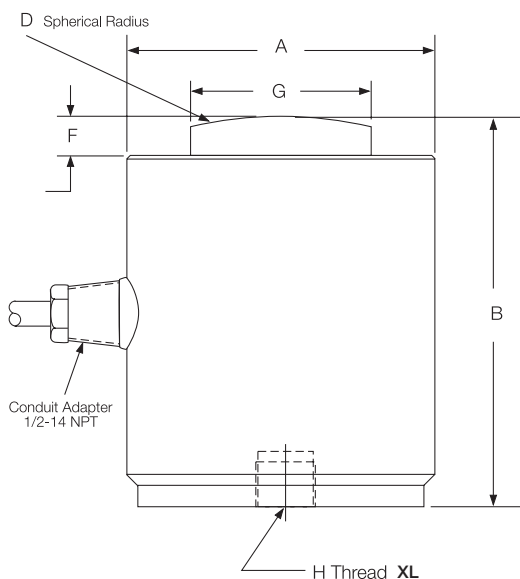


### Order Information

Load Rating	Part #	Est. Weight	Price
<b>35 ft Cable</b>			
25,000 lb	32702	7 lb	\$1,903.00
50,000 lb	32701	7 lb	\$1,903.00
100,000 lb	32700	15 lb	\$2,226.00
200,000 lb	32699	28 lb	\$3,175.00
<b>80 ft Cable</b>			
200,000 lb	197788	30 lb	\$3,312.00

### Dimensions

Rated Capacity	A	B	D	F	G	H	L-DEPTH
lb/in							
25,000 to 50,000	3.00	3.25	6.00	0.40	1.25	1/2-20 UNF	0.31
100,000	4.00	5.00	6.00	0.51	2.31	3/4-16 UNF	0.56
200,000	6.00	7.25	17.00	1.04	3.13	3/4-16 UNF	0.75



### Interchangeable Products

- VPG® REVERE
- CSP** ..... page 265
- VPG® SENSORTRONICS®
- 65088-1000**
- VPG® REVERE
- 692B**
- HOWE RICHARDSON®
- 244699-000X**
- STREETER AMET®
- 3760XXX**

### Weigh Module Available

- RICE LAKE WEIGHING SYSTEMS
- MagnaMount™** ..... page 80

### Specifications

- Full Scale Output:**  
2.0 mV/V
- Output Resistance:**  
475.2 to 484.8 ohm
- Input Resistance:**  
445.5 to 454.5 ohm
- Material/Finish:**  
Stainless steel
- Temperature:**  
Compensated:  
14 °F to 104 °F (-10 °C to 40 °C)  
Operating:  
0 °F to 150 °F (-18 °C to 65 °C)
- Seal Type:**  
Welded-seal, IP67
- Safe Overload:**  
150% full scale
- Rated Excitation:**  
5 to 10 VDC (15 V maximum)
- Combined Error:**  
0.03% full scale
- Non-repeatability:**  
0.01% full scale
- Insulation Resistance:**  
1,000 megohm
- Deflection at Capacity:**  
25,000 to 50,000 lb: 0.003 in  
100,000 to 125,000 lb: 0.006 in
- Cable Length:**  
35 ft  
80 ft
- Cable Diameter:**  
0.305 in  
Polyurethane jacket
- Cable Color Code:**  
Green +Excitation  
Black -Excitation  
White +Signal  
Red -Signal  
Orange Shield
- Warranty:**  
Two-year limited
- Approvals:**  
NTEP 95-140

RICE LAKE  
LOAD CELLS

COMPRESSION CANISTER  
**RL8C2P1SST**

Stainless Steel, Hermetically Sealed, NTEP Certified 1:10,000 Class IIIIL Multiple Cell, IP68



Picture is a representation of actual product.

Approvals

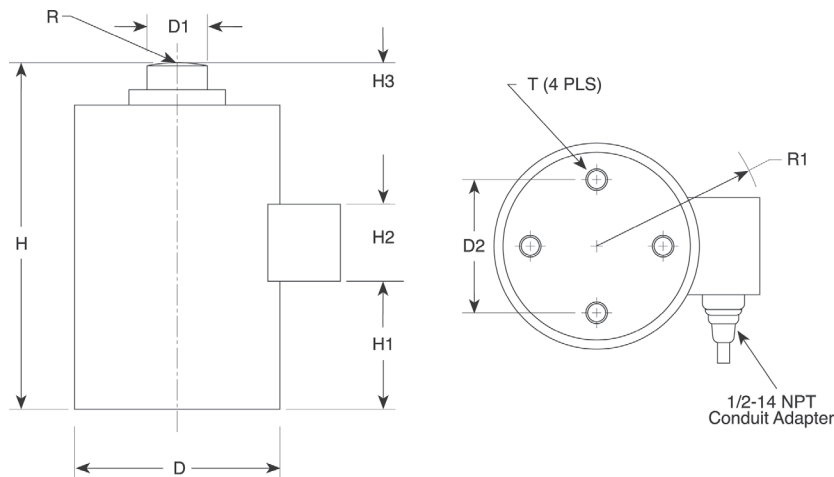


Order Information

Load Rating	Part #	Est. Weight	Price
50,000 lb	34855	20 lb	\$2,325.00
100,000 lb	34856	36 lb	\$2,325.00
200,000 lb	34857	75 lb	\$3,598.00

Dimensions

Rated Capacity	D	D1	D2	H	H1	H2	H3	R	R1	T
lb/in										
50,000	4.50	1.25	2.38	7.50	1.17	0.75	0.75	8.00	3.75	3/8-24 UNF x .63 DP
100,000	5.75	1.75	4.00	9.13	2.00	0.87	1.05	12.00	4.05	1/2-20 UNF x .75 DP
200,000	7.50	2.50	5.50	11.63	2.93	0.97	0.97	12.00	5.11	5/8-18 UNF x 25.4 DP



RICE LAKE  
LOAD CELLS

Interchangeable Products

VPG® REVERE

792..... page 266

Specifications

**Full Scale Output:**

2.0 mV/V

**Output Resistance:**

350 (± 3.5) ohm

**Input Resistance:**

350 (± 3.5) ohm

**Material/Finish:**

Stainless steel

**Temperature:**

Compensated:  
14 °F to 104 °F (-10 °C to 40 °C)

Operating:  
0 °F to 150 °F (-18 °C to 65 °C)

**Seal Type:**

Hermetically sealed, IP68

**Safe Overload:**

150% full scale

**Rated Excitation:**

10 VDC (15 V maximum)

**Combined Error:**

0.03% full scale

**Non-repeatability:**

0.01% full scale

**Insulation Resistance:**

> 1,000 megohm

**Deflection at Capacity:**

50,000 lb: 0.004 in  
 100,000 lb: 0.006 in  
 200,000 lb: 0.009 in

**Cable Length:**

35 ft

**Cable Color Code:**

Green +Excitation  
 Black -Excitation  
 White +Signal  
 Red -Signal  
 Orange Shield

**Warranty:**

Two-year limited

**Approvals:**

cFMus  
 NTEP 92-218



Picture is a representation of actual product.

**Approvals**

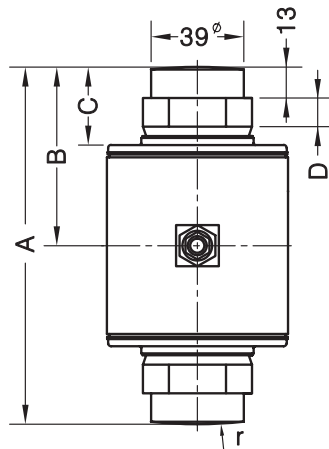


**Order Information**

Load Rating	Part #	Est. Weight	Price
30,000 lb	<b>221271</b>	8 lb	\$695.00
40,000 lb	<b>207495</b>	8 lb	\$695.00
Load Cup Kits			
30,000 lb	<b>223356</b>	7.50 lb	\$110.00
40,000 lb	<b>223357</b>	7.94 lb	\$110.00

**Dimensions**

Rated Capacity	A	B	C	D	Ball r
lb/in					
30,000	5.51	2.76	1.10	0.28	7.09
40,000	5.91	2.95	1.30	0.47	7.87



**Specifications**

**Full Scale Output:**  
2.0 mV/V

**Output Resistance:**  
1,005 (± 5) ohm

**Input Resistance:**  
1,150 (± 50) ohm

**Material/Finish:**  
Stainless steel

**Temperature:**  
Compensated:  
14 °F to 104 °F (-10 °C to 40 °C)  
Operating:  
0 °F to 150 °F (-18 °C to 65 °C)

**Seal Type:**  
Hermetically sealer, IP69K

**Safe Overload:**  
120% full scale

**Rated Excitation:**  
5 to 10 VDC

**Combined Error:**  
0.013% full scale

**Non-repeatability:**  
0.01% full scale

**Insulation Resistance:**  
5,000 megohm

**Deflection at Capacity:**  
0.621 mm

**Cable Length:**  
18 m overbraid cable

**Cable Color Code:**  
Green +Excitation  
Black -Excitation  
Red +Signal  
White -Signal  
Blue +Sense  
Yellow -Sense

**Warranty:**  
Two-year limited

**Approvals:**  
NTEP

**RICE LAKE  
LOAD CELLS**

ROCKER COLUMN  
**RLSCA-50K**

Stainless Steel, Welded Seal, NTEP Certified 1:10,000 Class III Multiple Cell, IP67



Picture is a representation of actual product.

Approvals



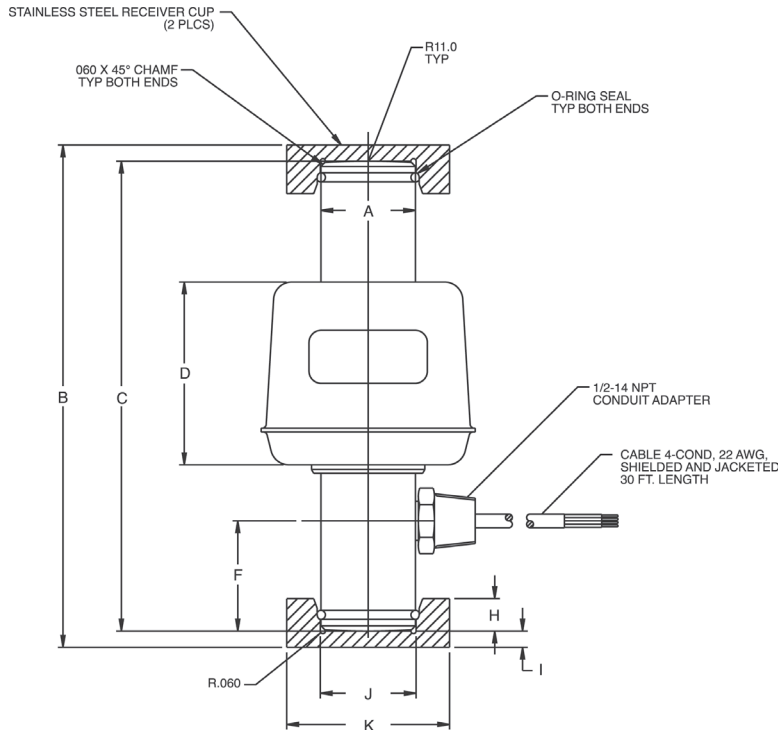
Order Information

Load Rating	Part #	Est. Weight	Price
50,000 lb*	<b>68918</b>	7 lb	\$1,055.00
Replacement Parts			
Replacement load cup set upper and lower included	<b>85433</b>	1 lb	\$100.00
Replacement O-ring	<b>92988</b>	1 lb	\$1.00/each

\*Load cell supplied with load cups

Dimensions

Rated Capacity	A	B	C	D	F	H	I	J	K
50,000 lb/in	1.46	7.75	7.25	2.82	1.70	0.50	0.25	1.48	2.50



Interchangeable Products

CARDINAL®  
**SCA-50K**

Specifications

- Full Scale Output:**  
2 mV/V nominal
- Output Resistance:**  
1,050 (± 10) ohm
- Input Resistance:**  
1,100 to 1,500 ohm
- Material/Finish:**  
Stainless steel
- Temperature:**  
Compensated:  
14 °F to 104 °F (-10 °C to 40 °C)  
Operating:  
0 °F to 150 °F (-18 °C to 65 °C)
- Seal Type:**  
Welded-seal, IP67
- Safe Overload:**  
150% full scale
- Rated Excitation:**  
5 to 10 VDC (15 V maximum)
- Combined Error:**  
0.025% full scale
- Non-repeatability:**  
0.01% full scale
- Insulation Resistance:**  
1,000 megohm
- Cable Length:**  
30 ft
- Cable Diameter:**  
0.200 in  
Polyurethane jacket
- Cable Color Code:**  
Green +Excitation  
Black -Excitation  
Red +Signal  
White -Signal
- Warranty:**  
Two-year limited
- Approvals:**  
NTEP 01-073  
cFMus

RICE LAKE  
LOAD CELLS

# RL70510/RL80453

Stainless Steel, Hermetically Sealed, NTEP Certified 1:10,000 Class III L, IP69K



Picture is a representation of actual product.

### Approvals



### Order Information: RL70510

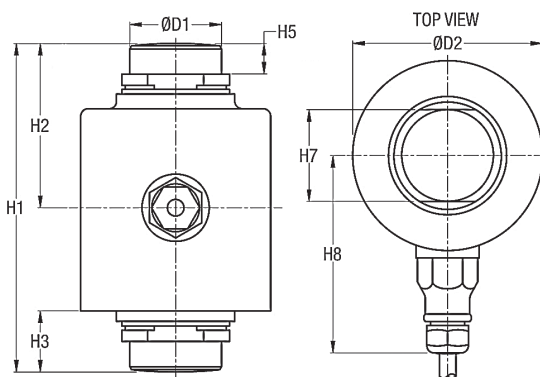
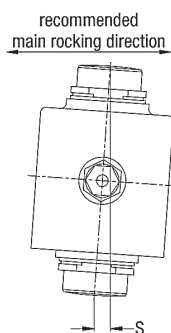
Load Rating	Part #	Est. Weight	Price
30t	169363	6 lb	\$1,044.00
Upper load cup	109332	4 lb	\$143.00
Lower load cup	109331	4 lb	\$116.00

### Order Information: RL80453

Load Rating	Part #	Est. Weight	Price
100,000 lb	169365	6 lb	\$1,070.00
Upper load cup	109332	4 lb	\$143.00
Lower load cup	109331	4 lb	\$116.00

### Dimensions

Rated Capacity	H1	H2	H3	H5	H7	H8	D1	D2
t/in								
30	5.51	2.76	1.02	0.51	1.54	3.32	1.54	3.18
lb/in								
100,000	5.91	2.95	1.30	0.51	1.54	3.32	1.54	3.18



### Interchangeable Products

FAIRBANKS®	
70510	LCF HR 4020-2A
FAIRBANKS	
80453	LCF HR 4020-21

### Specifications

#### Full Scale Output:

2.0 mV/V

#### Output Resistance:

1,000 (± 2) ohm

#### Input Resistance:

1,150 (± 50) ohm

#### Material/Finish:

Stainless steel

#### Temperature:

Compensated:

14 °F to 104 °F (-10 °C to 40 °C)

Operating:

0 °F to 150 °F (-18 °C to 65 °C)

#### Seal Type:

Hermetically sealed, IP69K

#### Safe Overload:

200% full scale

#### Rated Excitation:

5 to 10 VDC (15 V max)

#### Combined Error:

0.02% full scale

#### Insulation Resistance:

5,000 megohm

#### Cable Length:

15 ft

#### Cable Diameter:

0.200 in

Stainless steel overbraid cable

#### Cable Color Code:

Green +Excitation

Black -Excitation

White +Signal

Red -Signal

Yellow Shield

#### Warranty:

Two-year limited

#### Approvals:

NTEP 15-057

RICE LAKE  
LOAD CELLS

# RL75114-50K

Stainless Steel, Welded Seal, NTEP Certified 1:10,000 Class III L, IP67



Picture is a representation of actual product.

### Approvals



### Order Information

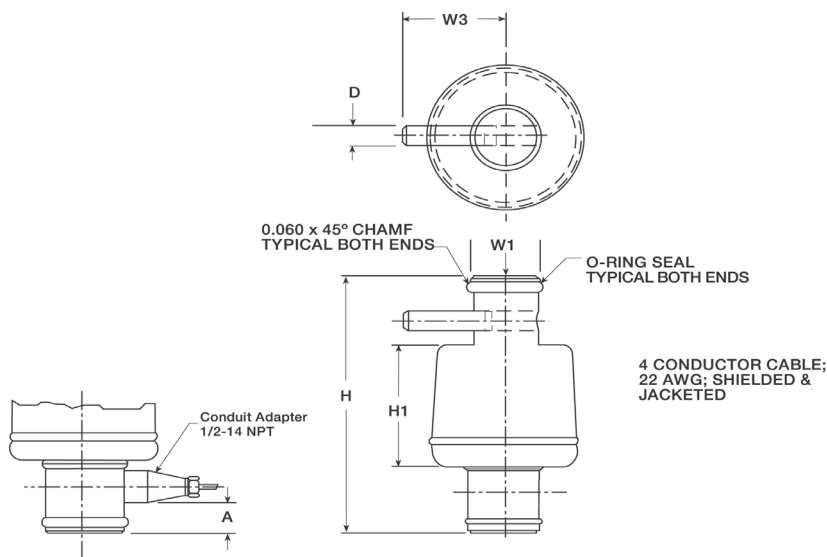
Load Rating	Part #	Est. Weight	Price
50,000 lb LE	88074	6 lb	\$1,266.00
Replacement Parts			
Replacement O-ring	92988	1lb	\$1.00
Spring pin	116181	1 lb	\$5.00

LE=Large envelope

Not interchangeable with Sensortronics 65114 - different mV/V

### Dimensions

Rated Capacity	A	D	H	H1	W1	W3
50,000 LE	0.87	0.38	7.56	2.82	1.46	2.18



### Interchangeable Products

FAIRBANKS®

64166..... LCF HR 4020-2

### Specifications

**Full Scale Output:**

1.8 mV/V nominal

**Output Resistance:**

1,000 (± 10) ohm

**Input Resistance:**

1,000 ohm

**Material/Finish:**

Stainless steel

**Temperature:**

Compensated:  
14 °F to 104 °F (-10 °C to 40 °C)

Operating:

0 °F to 150 °F (-18 °C to 65 °C)

**Seal Type:**

Welded-seal, IP67

**Safe Overload:**

150% full scale

**Rated Excitation:**

5 to 10 VDC

**Combined Error:**

0.025% full scale

**Non-repeatability:**

0.01% full scale

**Insulation Resistance:**

1,000 megohm

**Cable Length:**

30 ft

**Cable Diameter:**

0.200 in overbraid cable

**Cable Color Code:**

Green +Excitation

Black -Excitation

White +Signal

Red -Signal

**Warranty:**

Two-year limited

**Approvals:**

NTEP 06-022

cFMus





25K shown

5K shown

Load cup sold separately on 5,000 and 10,000 lb models.

Picture is a representation of actual product.

**Approvals**



**Order Information**

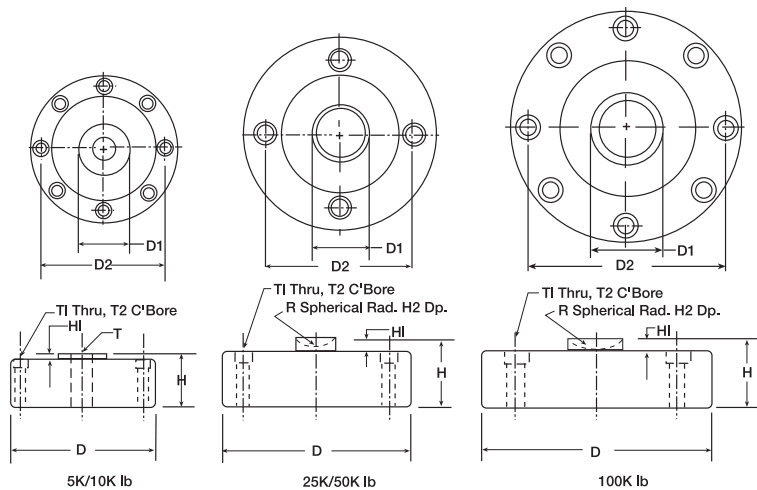
Load Rating	Part #	Est. Weight	Price
5,000 lb*	<b>33061</b>	6 lb	\$689.00
10,000 lb*	<b>33062</b>	6 lb	\$689.00
25,000 lb	<b>33063</b>	9 lb	\$843.00
50,000 lb	<b>33064</b>	9 lb	\$843.00
100,000 lb	<b>33065</b>	13 lb	\$990.00
Load Cup**	<b>33616</b>		\$37.00

\*5,000lb and 10,000lb models can be used in compression and tension load applications.

\*\*Load cup, PN 33616, is required for compression applications on 5,000lb and 10,000lb capacity load cells.

**Dimensions**

Rated Capacity	T	R	D	D1	D2	H	H1	H2	T1	T2
lb/in										
5,000* to 10,000*	5/8-18 UNF-3B	—	4.12	1.26	3.50	1.37	0.12	—	0.28	0.406 x 0.283 DP
25,000 to 50,000	—	0.875	4.75	1.53	4.00	2.12	0.50	0.30	0.34	0.508 x 0.38 DP
100,000	—	0.875	5.50	1.98	4.60	2.25	0.25	0.30	0.41	0.626 x 0.4 DP



**Interchangeable Products**

VPG® CELTRON®  
LCD .....page 199

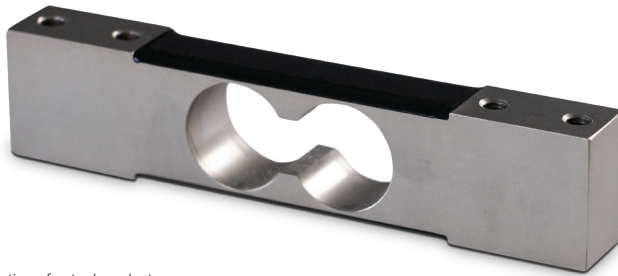
**Specifications**

- Full Scale Output:**  
4.0 mV/V
- Output Resistance:**  
5,000 to 50,000 lb: 350 (± 3) ohm  
100,000 lb: 700 (± 5) ohm
- Input Resistance:**  
5,000 to 50,000 lb: 385 (± 5) ohm  
100,000 lb: 770 (± 70) ohm
- Material/Finish:**  
High-alloy steel, nickel plated
- Temperature:**  
Operating:  
0 °F to 150 °F (-18 °C to 65 °C)
- Seal Type:**  
Environmentally sealed, IP67
- Safe Overload:**  
150% full scale
- Safe Sideload:**  
100% full scale
- Rated Excitation:**  
15 VDC (15 V maximum)
- Nonlinearity:**  
0.05% full scale
- Hysteresis:**  
0.02% full scale
- Insulation Resistance:**  
2,000 megohm
- Cable Length:**  
50 ft
- Cable Diameter:**  
5,000 to 25,000 lb: 0.200 in  
50,000 to 100,000 lb: 0.305 in  
Polyurethane jacket
- Cable Color Code:**  
Red +Excitation  
Black -Excitation  
Green +Signal  
White -Signal
- Warranty:**  
Two-year limited
- Approvals:**  
cMus

**RICE LAKE  
LOAD CELLS**

SINGLE POINT  
**RLPC3SS**

Stainless Steel, Environmentally Sealed, NTEP Certified 1:3,000 Class III Single Cell, IP67



Picture is a representation of actual product.

Approvals

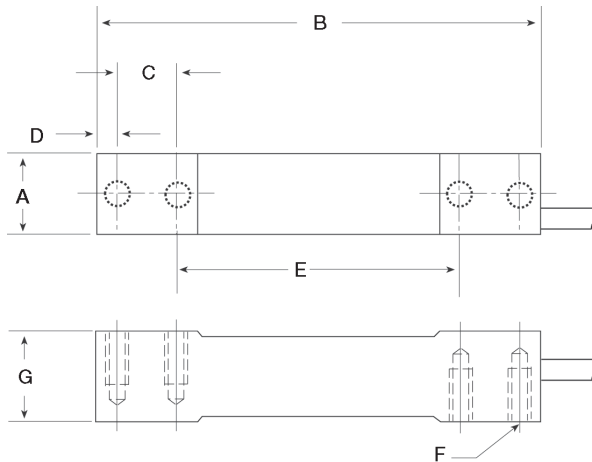


Order Information

Load Rating	Part #	Est. Weight	Price
7 kg	205274	2 lb	\$328.00
10 kg	205275	2 lb	\$328.00
30 kg	205276	2 lb	\$328.00
60 kg	205277	2 lb	\$328.00
100 kg	205278	2 lb	\$328.00
150 kg	205279	2 lb	\$328.00

Dimensions

Rated Capacity	A	B	C	D	E	F	G
kg/mm							
7 to 10	19.0	139.8	19.0	6.6	88.7	M6 × 1.0	30.0
30 to 60	23.8	139.8	19.0	6.6	88.7	M6 × 1.0	30.0
100 to 150	30.7	139.7	22.4	6.6	79.3	3/8-16 UNC	30.0



Interchangeable Products

RICE LAKE WEIGHING SYSTEMS	
<b>RL1380</b> .....	page 166
FLINTEC®	
<b>PC3</b> .....	page 216
HBK®	
<b>PWS</b> .....	page 231

Specifications

- Full Scale Output:**  
2 mV/V
- Output Resistance:**  
350 (± 10) ohm
- Input Resistance:**  
385 (± 15) ohm
- Material/Finish:**  
Stainless steel
- Temperature:**  
Compensated:  
14 °F to 104 °F (-10 °C to 40 °C)  
Operating:  
0 °F to 150 °F (-18 °C to 65 °C)
- Seal Type:**  
Environmentally sealed, IP67
- Safe Overload:**  
150% full scale
- Rated Excitation:**  
5 to 10 VDC
- Combined Error:**  
0.02% full scale
- Insulation Resistance:**  
5,000 megohm
- Cable Length:**  
10 ft
- Cable Diameter:**  
0.140 in  
Polyurethane jacket
- Cable Color Code:**  
Green +Excitation  
Black -Excitation  
White +Signal  
Red -Signal  
Yellow Shield
- Max Platform Size:**  
7 kg to 30 kg: 350 × 350 mm  
60 kg to 150 kg: 450 × 450 mm
- Warranty:**  
One-year limited
- Approvals:**  
NTEP 21-017  
OIML R60/2017-A-NL1-21.17

RICE LAKE  
LOAD CELLS



Picture is a representation of actual product.

**Approvals**

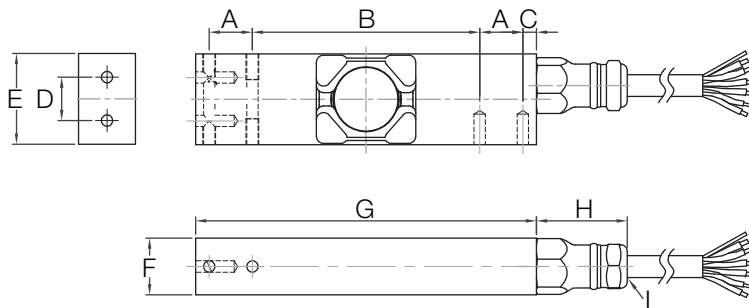


**Order Information**

Load Rating	Part #	Est. Weight	Price
10 kg	205270	3 lb	\$630.00
20 kg	205271	3 lb	\$630.00
50 kg	205272	3 lb	\$630.00
100 kg	205273	3 lb	\$630.00

**Dimensions**

Rated Capacity	A	B	C	D	E	F	G	H	I
kg/mm									
10 to 100	19.0	100.0	6.0	19.1	40.0	25.0	150.0	40.0	M4 × 6



**Interchangeable Products**

- FLINTEC®  
**PC4** ..... page 217
- HBK®  
**PW15AH\*** ..... page 230
- \*350 Ohm

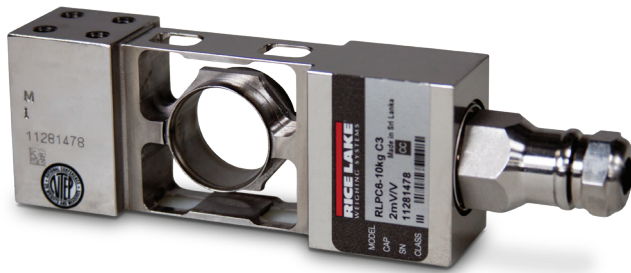
**Specifications**

- Full Scale Output:**  
2 mV/V
- Output Resistance:**  
960 (± 50) ohm
- Input Resistance:**  
1100 (± 50) ohm
- Material/Finish:**  
Stainless steel
- Temperature:**  
Compensated:  
14 °F to 104 °F (-10 °C to 40 °C)  
Operating:  
0 °F to 150 °F (-18 °C to 65 °C)
- Seal Type:**  
Hermetically sealed, IP69K
- Safe Overload:**  
150% full scale
- Rated Excitation:**  
5 to 10 VDC
- Combined Error:**  
0.02% full scale
- Insulation Resistance:**  
> 5,000 megohm
- Cable Length:**  
10 ft
- Cable Color Code:**  
Green +Excitation  
Black -Excitation  
White +Signal  
Red -Signal  
Blue +Sense  
Brown -Sense  
Yellow Shield
- Max Platform Size:**  
500 × 400 mm
- Warranty:**  
One-year limited
- Approvals:**  
NTEP 21-016  
OIML R60/2017-A-NL1-21.18

**RICE LAKE  
LOAD CELLS**

SINGLE POINT  
**RLPC6**

Stainless Steel, Hermetically Sealed, NTEP Certified 1:5,000 Class III Single Cell, IP69K



Picture is a representation of actual product.

Approvals

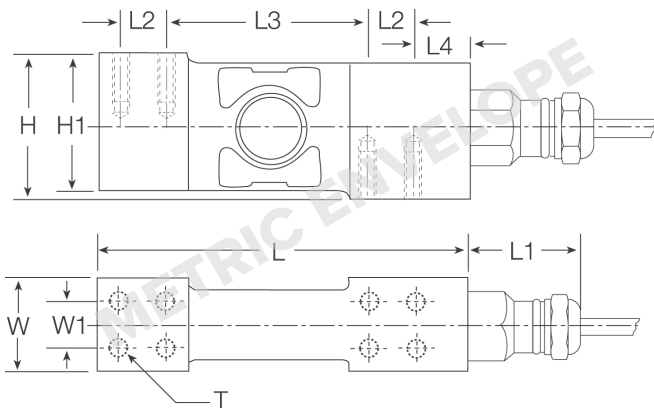


Order Information

Load Rating	Part #	Est. Weight	Price
10 kg	87027	3 lb	\$630.00
20 kg	87028	3 lb	\$630.00
50 kg	87029	3 lb	\$630.00
100 kg	87030	3 lb	\$630.00
200 kg	87031	3 lb	\$630.00

Dimensions

Rated Capacity	H	H1	L	L1	L2	L3	L4	W	W1	T
kg/mm										
10 to 200	48.0	45.5	123.0	41.0	15.2	67.6	17.8	30.1	15.2	8 x M6/15 DP



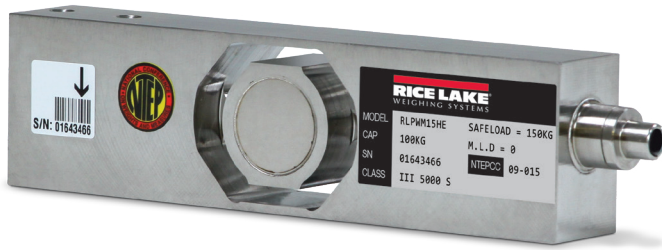
**Interchangeable Products**

FLINTEC®  
PC6 ..... page 218

**Specifications**

- Full Scale Output:**  
2.0 mV/V
- Output Resistance:**  
960 (± 50) ohm, nominal
- Input Resistance:**  
1,100 (± 50) ohm
- Material/Finish:**  
Stainless steel
- Temperature:**  
Compensated:  
14 °F to 104 °F (-10 °C to 40 °C)  
Operating:  
0 °F to 150 °F (-18 °C to 65 °C)
- Seal Type:**  
Hermetically sealed, IP69K
- Safe Overload:**  
200% full scale
- Safe Sideload:**  
100% full scale
- Rated Excitation:**  
5 to 10 VDC
- Combined Error:**  
0.02% full scale
- Insulation Resistance:**  
5,000 megohm
- Cable Length:**  
10 ft
- Cable Diameter:**  
0.196 in  
Polyurethane jacket
- Deflection at Capacity:**  
0.006 to 0.010 in
- Cable Color Code:**  
Green +Excitation  
Black -Excitation  
White +Signal  
Red -Signal  
Yellow Shield
- Max Platform Size:**  
24 × 24 in
- Warranty:**  
Two-year limited
- Approvals:**  
FM  
NTEP 06-011

**RICE LAKE  
LOAD CELLS**



Picture is a representation of actual product.

**Approvals**

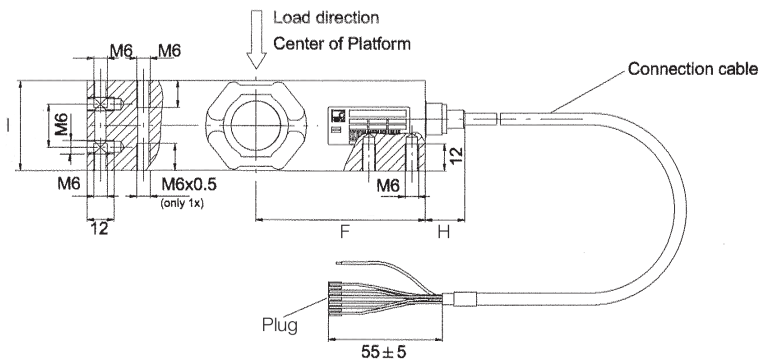


**Order Information**

Load Rating	Part #	Est. Weight	Price
<b>10 ft Cable</b>			
10 kg	<b>108685</b>	3 lb	\$768.00
20 kg	<b>108686</b>	3 lb	\$768.00
50 kg	<b>108687</b>	3 lb	\$768.00
100 kg	<b>108688</b>	3 lb	\$768.00
<b>2.83 ft Cable</b>			
10 kg	<b>107174</b>	3 lb	\$768.00
20 kg	<b>107175</b>	3 lb	\$768.00
50 kg	<b>107176</b>	3 lb	\$768.00
100 kg	<b>107177</b>	3 lb	\$768.00

**Dimensions**

Rated Capacity	B	E	F	G	H	I	J
kg/mm							
10 to 100	19.0	25.0	75.0	100.0	17.5	40.0	150.0



**Mounting:**  
Cylindrical head screw M6-10.9  
Tightening torque: 14 N·m

**Interchangeable Products**

HBK®  
PW15AH ..... page 230

**Specifications**

- Full Scale Output:**  
2.0 mV/V
- Output Resistance:**  
350 (± 10) ohm
- Input Resistance:**  
380 (± 15) ohm
- Material/Finish:**  
Stainless steel
- Temperature:**  
Compensated:  
14 °F to 104 °F (-10 °C to 40 °C)  
Operating:  
0 °F to 150 °F (-18 °C to 65 °C)
- Seal Type:**  
Hermetically sealed, IP69K
- Safe Overload:**  
150% full scale
- Rated Excitation:**  
5 to 10 VDC (15 V maximum)
- Combined Error:**  
0.02% full scale
- Insulation Resistance:**  
1,000 megohm
- Cable Length:**  
10 ft  
2.83 ft
- Cable Diameter:**  
0.212 in PVC jacket
- Cable Color Code:**  
Blue +Excitation  
Black -Excitation  
White +Signal  
Red -Signal  
Green +Sense  
Grey -Sense
- Max Platform Size:**  
500 × 400 mm
- Warranty:**  
Two-year limited
- Approvals:**  
FM  
NTEP 09-015

**RICE LAKE  
LOAD CELLS**

SINGLE POINT  
**RLPWM15**

Stainless Steel, Environmentally Sealed, NTEP Certified 1:5,000 Class III Single Cell, IP67



Picture is a representation of actual product.

**Approvals**

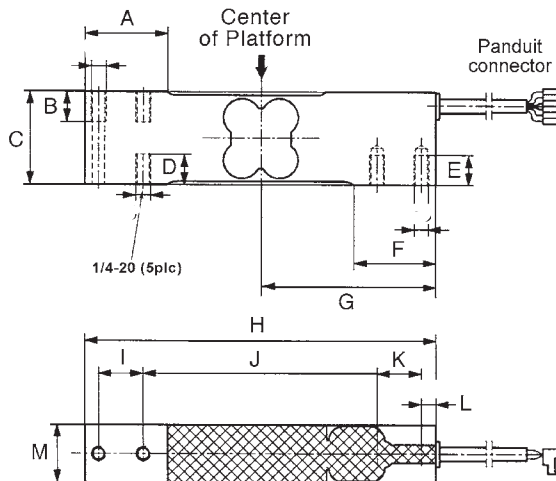


**Order Information**

Load Rating	Part #	Est. Weight	Price
10 kg	119904	1 lb	\$344.00
15 kg	119912	1 lb	\$344.00
20 kg	119905	1 lb	\$344.00
50 kg	119908	1 lb	\$344.00
75 kg	119909	1 lb	\$344.00
100 kg	119910	1 lb	\$344.00

**Dimensions**

Rated Capacity	A	B	C	D	E	F	G	H	I	J	K	L	M	T
kg/mm														
10 to 100	35.0	13.0	40.0	13.0	13.0	35.0	75.0	150.0	19.0	100.0	19.0	6.2	25.0	1/4-20 UNC



**Interchangeable Products**

- HBK®  
**PW15**..... page 229
- VPG® TEDEA-HUNTLEIGH®  
**1142**..... page 318

**Specifications**

- Full Scale Output:**  
2.0 mV/V
- Bridge Resistance:**  
350 ohm, nominal
- Material/Finish:**  
Stainless steel
- Temperature:**  
Compensated:  
14 °F to 104 °F (-10 °C to 40 °C)  
Operating:  
0 °F to 150 °F (-18 °C to 65 °C)
- Seal Type:**  
Environmentally sealed, IP67
- Safe Overload:**  
150% full scale
- Rated Excitation:**  
5 to 10 VDC (15 V maximum)
- Combined Error:**  
0.02% full scale
- Insulation Resistance:**  
1,000 megohm
- Cable Length:**  
10 ft
- Cable Diameter:**  
0.190 in PVC jacket
- Cable Color Code:**  
Blue +Excitation  
Black -Excitation  
White +Signal  
Red -Signal  
Green +Sense  
Grey -Sense
- Max Platform Size:**  
15 × 15 in
- Warranty:**  
Two-year limited
- Approvals:**  
FM  
NTEP 11-038

RICE LAKE  
LOAD CELLS



Picture is a representation of actual product.

**Approvals**

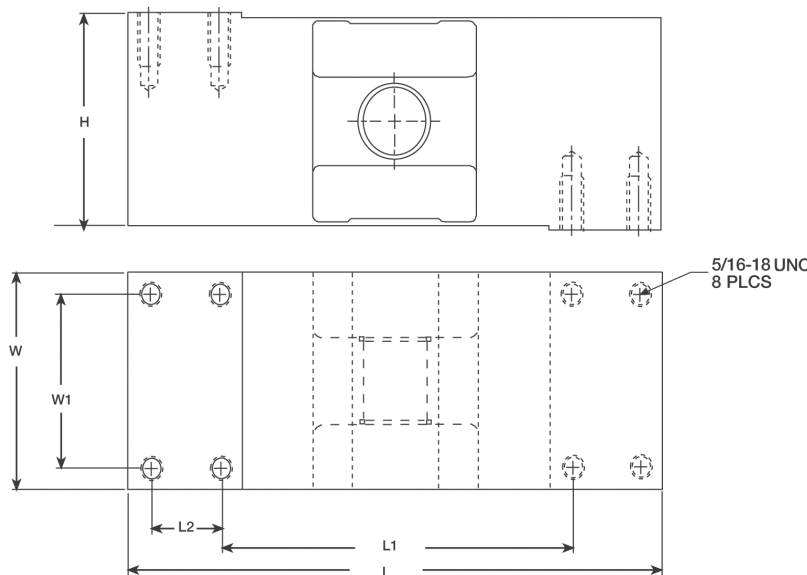


**Order Information**

Load Rating	Part #	Est. Weight	Price
50 kg	<b>87022</b>	12 lb	\$980.00
100 kg	<b>87023</b>	12 lb	\$980.00
250 kg	<b>87024</b>	13 lb	\$980.00
500 kg	<b>87025</b>	13 lb	\$980.00
1,000 kg	<b>87026</b>	15 lb	\$980.00

**Dimensions**

Rated Capacity	L	L1	L2	W	W1	H
kg/mm						
50 to 1,000	190.5	107.0	35.0	73.7	50.0	73.7



**Specifications**

**Full Scale Output:**

2 mV/V

**Output Resistance:**

960 (± 50) ohm

**Input Resistance:**

1,100 (± 50) ohm

**Material/Finish:**

Stainless steel

**Temperature:**

Compensated:

14 °F to 104 °F (-10 °C to 40 °C)

Operating:

0 °F to 150 °F (-18 °C to 65 °C)

**Seal Type:**

Hermetically sealed, IP69K

**Safe Overload:**

200% full scale

**Safe Sideload:**

100% full scale

**Rated Excitation:**

5 to 10 VDC

**Combined Error:**

0.020% full scale

**Insulation Resistance:**

5,000 megohm

**Cable Length:**

10 ft

**Cable Diameter:**

0.196 in

Polyurethane jacket

**Cable Color Code:**

Green +Excitation

Black -Excitation

White +Signal

Red -Signal

Blue +Sense

Brown -Sense

Yellow Shield (shield connected to element)

**Max Platform Size:**

24 × 24 in

**Warranty:**

Two-year limited

**Approvals:**

FM

NTEP 07-094

**RICE LAKE  
LOAD CELLS**

SINGLE POINT  
**RL1521A**

Aluminum, Environmentally Sealed, NTEP Certified 1:5,000 Class III Single Cell, IP66



Picture is a representation of actual product.

Approvals

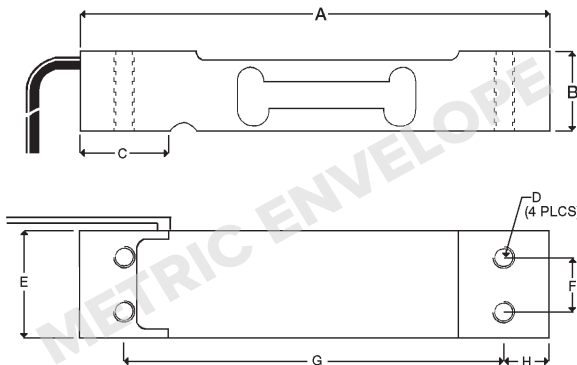


Order Information:

Load Rating	Part #	Est. Weight	Price
<b>1.50 ft Cables</b>			
3 kg	50620	1 lb	\$148.00
5 kg	50619	1 lb	\$148.00
7 kg	50621	1 lb	\$148.00
10 kg	50622	1 lb	\$148.00
15 kg	50623	1 lb	\$148.00
20 kg	50624	1 lb	\$148.00
30 kg	50625	1 lb	\$148.00
35 kg	50626	1 lb	\$148.00
<b>10 ft Cables</b>			
3 kg	132261	3 lb	\$148.00
5 kg	132262	3 lb	\$148.00
7 kg	132263	3 lb	\$148.00
10 kg	132264	3 lb	\$148.00
15 kg	132265	3 lb	\$148.00
20 kg	132266	3 lb	\$148.00
30 kg	132267	3 lb	\$148.00
35 kg	132268	3 lb	\$148.00

Dimension

Rated Capacity	A	B	C	D	E	F	G	H
kg/mm								
3 to 7	130.0	22.0	25.0	M6 × 1.0	25.4	15.0	106.0	12.0
10 to 30	130.0	22.0	25.0	M6 × 1.0	30.0	15.0	106.0	12.0
35	130.0	22.0	25.0	M6 × 1.0	40.0	15.0	106.0	12.0



Interchangeable Products

- VPG® CELTRON®
- LPS** except 3 kg ..... page 197
- VPG® TEDEA-HUNTLEIGH®
- 1022** ..... page 310
- VPG® BLH®
- C2G1**
- FAIRBANKS®
- 4900 Series**
- Checkweighers**
- NMB®
- C2G1**
- ARTECH®
- 61022**

Specifications

- Full Scale Output:**  
2.0 mV/V
- Output Resistance:**  
350 (± 3) ohm
- Input Resistance:**  
410 (± 15) ohm
- Material/Finish:**  
Aluminum
- Temperature:**  
Compensated:  
14 °F to 104 °F (-10 °C to 40 °C)  
Operating:  
0 °F to 150 °F (-18 °C to 65 °C)
- Seal Type:**  
Environmentally sealed, IP66
- Safe Overload:**  
150% full scale
- Rated Excitation:**  
5 to 10 VDC (15 V maximum)
- Combined Error:**  
0.03% full scale
- Insulation Resistance:**  
2,000 megohm
- Cable Length:**  
10 ft  
1.50 ft
- Cable Diameter:**  
0.14 in PVC jacket
- Cable Color Code:**  
Green +Excitation  
Black -Excitation  
Red +Signal  
White -Signal
- Max Platform Size:**  
13.75 × 13.75 in
- Warranty:**  
Two-year limited
- Approvals:**  
cFMus  
NTEP 98-166

RICE LAKE  
LOAD CELLS





Picture is a representation of actual product.

Approvals

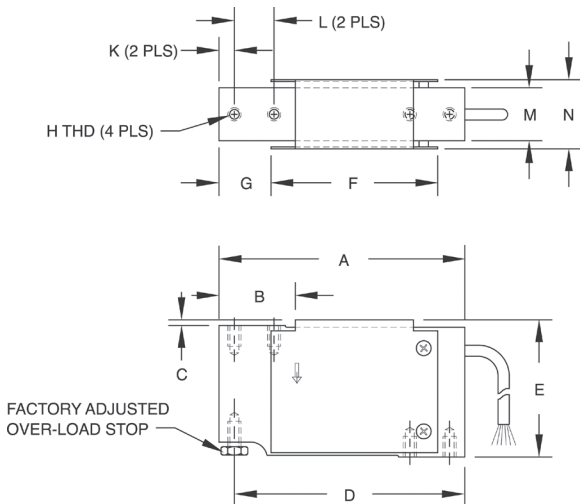


Order Information

Load Rating	Part #	Est. Weight	Price
<b>NTEP Certified, Potted</b>			
10 kg	50819	2 lb	\$205.00
15 kg	50820	2 lb	\$205.00
20 kg	50821	2 lb	\$205.00
30 kg	50822	2 lb	\$205.00
50 kg	50823	2 lb	\$205.00
<b>Non-NTEP Certified, Potted</b>			
7 kg	17529	2 lb	\$205.00
10 kg	17530	2 lb	\$205.00
15 kg	17531	2 lb	\$195.00
20 kg	17532	2 lb	\$205.00
30 kg	17533	2 lb	\$205.00
50 kg	17534	2 lb	\$205.00
90 kg	17535	2 lb	\$205.00
<b>Non-NTEP Certified, Unpotted</b>			
3 kg	17527	1 lb	\$190.00
5 kg	17528	1 lb	\$190.00

Dimensions

Rated Capacity	A	B	C	D	E	F	G	H	K	L	M	N
kg/mm												
3 to 90	118.1	34.0	3.0	110.5	66.0	80.0	25.0	1/4-20 UNC x 13 DP	7.5	19.1	25.4	33.5



**Interchangeable Products**  
 VPG® TEDEA-HUNTLEIGH®  
 1010/1015.....page 311

Specifications

- Full Scale Output:** 2.0 mV/V
- Output Resistance:** 350 (± 3) ohm, nominal
- Input Resistance:** 415 (± 15) ohm
- Material/Finish:** Anodized aluminum
- Temperature:** Compensated: 14 °F to 104 °F (-10 °C to 40 °C); Operating: 0 °F to 150 °F (-18 °C to 65 °C)
- Seal Type:** Potted: IP67; Unpotted: IP65
- Safe Overload:** 150% at center of loading point, full scale
- Rated Excitation:** 5 to 10 VDC (15 V maximum)
- Combined Error:** 0.02% full scale
- Insulation Resistance:** 5,000 megohm
- Deflection at Capacity:** 0.015 in
- Cable Length:** Potted: 10 ft; Unpotted: 3 ft
- Cable Diameter:** 0.200 in PVC jacket
- Cable Color Code:** Green +Excitation; Black -Excitation; Red +Signal; White -Signal; Blue +Sense; Brown -Sense
- Max Platform Size:** 15.75 x 15.75 in
- Warranty:** Two-year limited
- Approvals:** cFMus; NTEP 00-062

RICE LAKE LOAD CELLS

SINGLE POINT  
**RLSP4**

Aluminum, Environmentally Sealed, NTEP Certified 1:5,000 Class III Single Cell, IP66



Picture is a representation of actual product.

Approvals

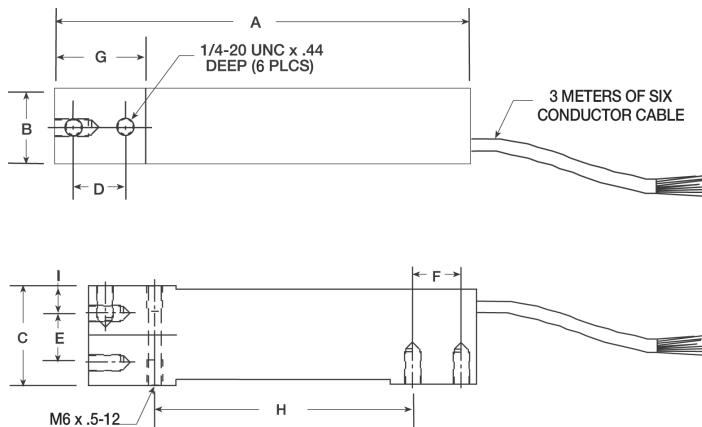


Order Information

Load Rating	Part #	Est. Weight	Price
<b>NTEP Certified</b>			
7 kg	91725	2 lb	\$222.00
10 kg	91726	2 lb	\$222.00
15 kg	91727	2 lb	\$222.00
20 kg	91728	2 lb	\$222.00
30 kg	91729	2 lb	\$222.00
50 kg	91730	2 lb	\$222.00
75 kg	91731	2 lb	\$222.00
100 kg	91732	2 lb	\$222.00

Dimensions

Rated Capacity	A	B	C	D	E	F	G	H	I
kg/mm									
5 to 100	150.3	25.4	39.9	19.1	19.1	19.1	33.8	99.6	11.4



Interchangeable Products

HBK®  
**SP4M**..... page 228

Specifications

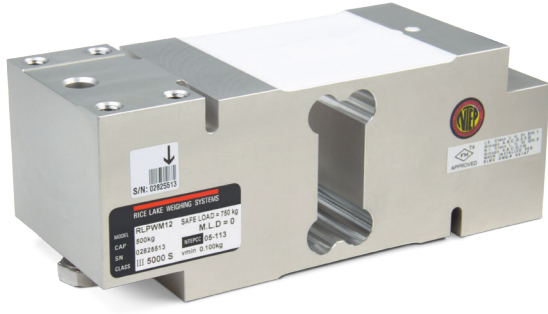
- Full Scale Output:**  
2.0 mV/V
- Output Resistance:**  
350 (± 3) ohm
- Input Resistance:**  
350 ohm
- Material/Finish:**  
Anodized aluminum
- Temperature:**  
Compensated:  
14 °F to 104 °F (-10 °C to 40 °C)  
Operating:  
0 °F to 150 °F (-18 °C to 65 °C)
- Seal Type:**  
Environmentally sealed, IP66
- Safe Overload:**  
150% full scale
- Rated Excitation:**  
5 to 10 VDC (15 V maximum)
- Combined Error:**  
0.02% full scale
- Insulation Resistance:**  
5,000 megohm
- Deflection at Capacity:**  
0.4 mm
- Cable Length:**  
10 ft
- Cable Diameter:**  
0.19 in PVC jacket
- Cable Color Code:**  
Green +Excitation  
Black -Excitation  
Red +Signal  
White -Signal  
Blue +Sense  
Brown -Sense  
Yellow Shield
- Max Platform Size:**  
5 to 10 kg: 12 × 12 in  
15 to 30 kg: 18 × 18 in  
50 to 100 kg: 24 × 24 in
- Warranty:**  
Two-year limited
- Approvals:**  
FM  
NTEP 05-114

RICE LAKE  
LOAD CELLS

**Limited Stock Available**

SINGLE POINT  
**RLPWM12**

Aluminum, Environmentally Sealed, NTEP Certified 1:5,000 Class III Single Cell, IP67



Picture is a representation of actual product.

**Approvals**

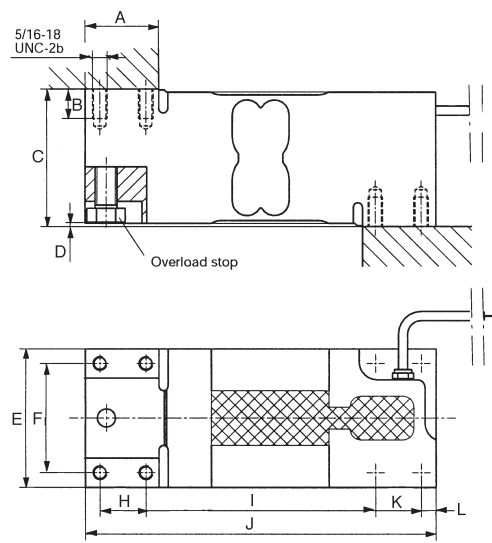


**Order Information**

Load Rating	Part #	Est. Weight	Price
500 kg	<b>91681</b>	6 lb	\$334.00
1,000 kg	<b>91683</b>	6 lb	\$334.00

**Dimensions**

Rated Capacity	A	B	C	D	E	F	H	I	J	K	L
kg/mm											
500 to 1,000	40.0	16.0	75.0	1.5	76.0	60.0	25.0	125.0	191.0	25.0	8.0



**Interchangeable Products**

VPG® TEDEA-HUNTLEIGH®  
**1250** ..... page 322

**Specifications**

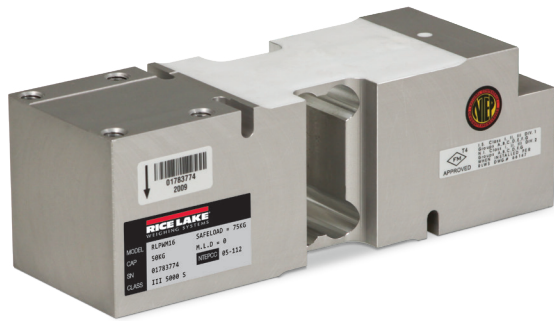
- Full Scale Output:**  
2.0 mV/V
- Output Resistance:**  
330 to 450 ohm, nominal
- Input Resistance:**  
300 to 500 ohm
- Material/Finish:**  
Aluminum
- Temperature:**  
Compensated:  
14 °F to 104 °F (-10 °C to 40 °C)  
Operating:  
0 °F to 150 °F (-18 °C to 65 °C)
- Seal Type:**  
Environmentally sealed, IP67
- Safe Overload:**  
150% full scale
- Rated Excitation:**  
5 to 10 VDC (15 V maximum)
- Combined Error:**  
0.02% full scale
- Insulation Resistance:**  
1,000 megohm
- Cable Length:**  
10 ft
- Cable Diameter:**  
0.190 in PVC jacket
- Cable Color Code:**  
Green +Excitation  
Black -Excitation  
Red +Signal  
White -Signal  
Blue +Sense  
Brown -Sense
- Max Platform Size:**  
30 x 30 in
- Warranty:**  
Two-year limited
- Approvals:**  
FM  
NTEP 05-113

**RICE LAKE LOAD CELLS**

SINGLE POINT  
**RLPWM16**

Aluminum, Environmentally Sealed, NTEP Certified 1:5,000 Class III Single Cell, IP67

**Limited Stock Available**



Picture is a representation of actual product.

Approvals

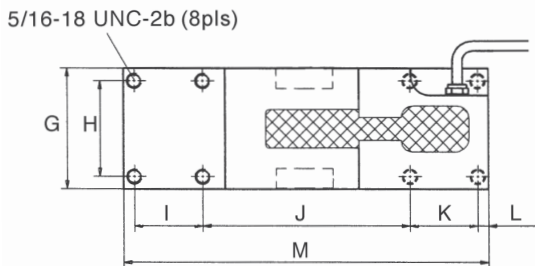
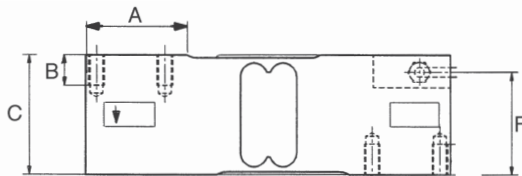


Order Information

Load Rating	Part #	Est. Weight	Price
75 kg	91686	5 lb	\$313.00

Dimensions

Rated Capacity	A	B	C	F	G	H	I	J	K	L	M
kg/mm											
75	52.0	16.0	62.3	52.3	63.0	50.0	35.0	107.0	35.0	5.5	188.0



Interchangeable Products

RICE LAKE WEIGHING SYSTEMS

**RL1260**

VPG® TEDEA-HUNTLEIGH®

**1260** ..... page 319

Specifications

**Full Scale Output:**

2.0 mV/V

**Output Resistance:**

300 to 500 ohm

**Input Resistance:**

300 to 500 ohm

**Material/Finish:**

Aluminum

**Temperature:**

Compensated:

14 °F to 104 °F (-10 °C to 40 °C)

Operating:

0 °F to 150 °F (-18 °C to 65 °C)

**Seal Type:**

Environmentally sealed, IP67

**Safe Overload:**

150% full scale

**Rated Excitation:**

5 to 10 VDC (15 V maximum)

**Combined Error:**

0.02% full scale

**Insulation Resistance:**

1,000 megohm

**Cable Length:**

10 ft

**Cable Diameter:**

0.190 in PVC jacket

**Deflection at Capacity**

50 to 635 kg < 0.6 mm

**Cable Color Code:**

Green +Excitation

Black -Excitation

Red +Signal

White -Signal

Blue +Sense

Brown -Sense

**Max Platform Size:**

24 × 24 in

**Warranty:**

Two-year limited

**Approvals:**

FM

NTEP 05-112

RICE LAKE  
LOAD CELLS

Limited Stock Available

SINGLE POINT  
**RL1042**

Aluminum, Environmentally Sealed, NTEP Certified 1:5,000 Class III Single Cell, IP66



Picture is a representation of actual product.

**Approvals**

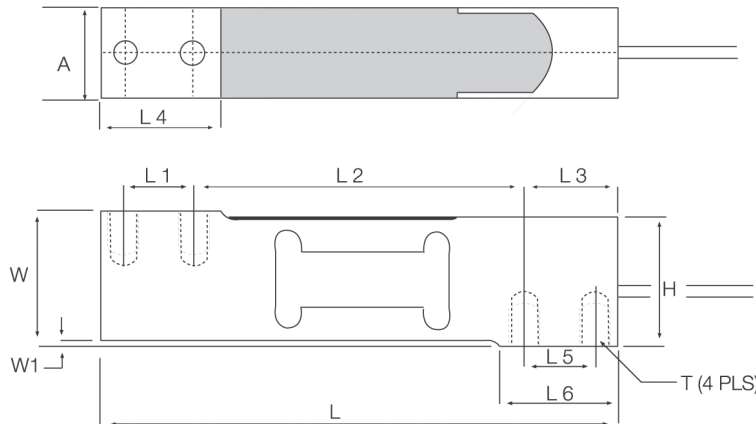


**Order Information**

Load Rating	Part #	Est. Weight	Price
1 kg	40955	1 lb	\$190.00

**Dimensions**

Rated Capacity	A	H	L	L1	L2	L3	L4	L5	L6	W	W1	T
kg/mm												
1	20.0	39.0	150.0	19.0	100.0	25.0	34.0	19.0	34.0	40.0	1.0	1/4-20 UNC



**Interchangeable Products**

- RICE LAKE WEIGHING SYSTEMS
- RLSP4**.....page 160
- VPG® TEDEA-HUNTLEIGH®
- 1042**.....page 313
- HBK®
- SP4M**.....page 228
- FLINTEC®
- PC 42**

**Specifications**

- Full Scale Output:**  
2.0 mV/V
- Output Resistance:**  
350 (± 3) ohm
- Input Resistance:**  
415 (± 15) ohm
- Material/Finish:**  
Aluminum
- Temperature:**  
Compensated:  
14 °F to 104 °F (-10 °C to 40 °C)  
Operating:  
0 °F to 150 °F (-18 °C to 65 °C)
- Seal Type:**  
Environmentally sealed, IP66
- Safe Overload:**  
150% full scale  
Over-center loading point
- Rated Excitation:**  
5 to 10 VDC (15 V maximum)
- Combined Error:**  
0.02% full scale
- Insulation Resistance:**  
2,000 megohm
- Deflection at Capacity:**  
0.015 in
- Cable Length:**  
10 ft
- Cable Diameter:**  
0.200 in PVC jacket
- Cable Color Code:**  
Green +Excitation  
Black -Excitation  
Red +Signal  
White -Signal  
Blue +Sense  
Brown -Sense
- Max Platform Size:**  
16 × 16 in
- Warranty:**  
Two-year limited
- Approvals:**  
FM  
NTEP 97-138

RICE LAKE  
LOAD CELLS

SINGLE POINT  
**RL1040**

Aluminum, NTEP Certified 1:5,000 Class III Single Cell, Potted and Unpotted, IP65/IP67



Picture is a representation of actual product.

Approvals

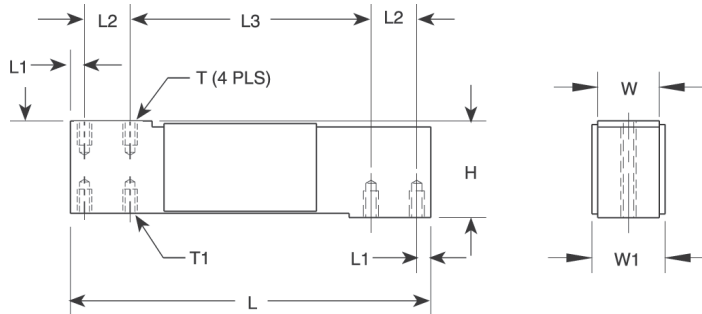


Order Information

Load Rating	Part #	Est. Weight	Price
<b>Potted IP67</b>			
7 kg	32860	2 lb	\$206.00
10 kg	32861	2 lb	\$206.00
15 kg	32862	2 lb	\$206.00
20 kg	32863	2 lb	\$206.00
30 kg	32864	2 lb	\$206.00
50 kg	32865	2 lb	\$206.00
100 kg	32866	2 lb	\$206.00
<b>Unpotted IP65</b>			
5 kg	32859	2 lb	\$206.00

Dimensions

Rated Capacity	H	L	L1	L2	L3	T	T1	W	W1
kg/mm									
5 to 100	40.0	150.0	5.95	19.1	100.0	1/4-20 UNC × 10 DP	1/4-28 UNF × 10 DP	25.4	29.4



Interchangeable Products

VPG® TEDEA-HUNTLEIGH®

1040 ..... page 314

CARDINAL®

TSP

Specifications

**Full Scale Output:**

2.0 mV/V

**Output Resistance:**

350 (± 3) ohm

**Input Resistance:**

415 (± 5) ohm

**Material/Finish:**

Anodized aluminum

**Temperature:**

Compensated:  
14 °F to 104 °F (-10 °C to 40 °C)

Operating:  
0 °F to 150 °F (-18 °C to 65 °C)

**Seal Type:**

Potted, IP67  
Unpotted, IP65

**Safe Overload:**

200% at center loading point, full scale

**Rated Excitation:**

5 to 10 VDC (15 V maximum)

**Combined Error:**

0.02% full scale

**Insulation Resistance:**

2,000 megohm

**Deflection at Capacity:**

0.4 mm

**Cable Length:**

10 ft

**Cable Diameter:**

0.200 in PVC jacket

**Cable Color Code:**

Green +Excitation  
Black -Excitation  
Red +Signal  
White -Signal  
Blue +Sense  
Brown -Sense

**Max Platform Size:**

15.75 × 15.75 in

**Warranty:**

Two-year limited

**Approvals:**

cFMus  
NTEP 95-074

RICE LAKE  
LOAD CELLS



Picture is a representation of actual product.

**Approvals**

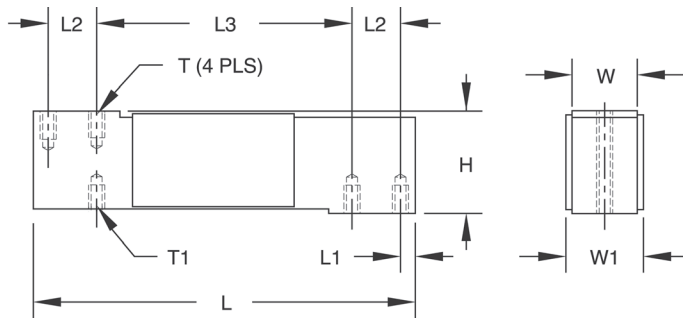


**Order Information**

Load Rating	Part #	Est. Weight	Price
15 kg	17544	3 lb	\$339.00
30 kg	17545	3 lb	\$339.00
50 kg	17546	3 lb	\$339.00
75 kg	17547	3 lb	\$339.00
100 kg	17548	3 lb	\$339.00
150 kg	36467	3 lb	\$339.00

**Dimensions**

Rated Capacity	H	L	L1	L2	L3	T	T1	W	W1
kg/mm									
15 to 150	40.0	150.0	6.0	19.1	100.0	1/4-20 UNC × 10 DP	1/4-28 UNF × 10 DP	25.4	29.4



**Interchangeable Products**

VPG® TEDEA-HUNTLEIGH®  
1140.....page 316

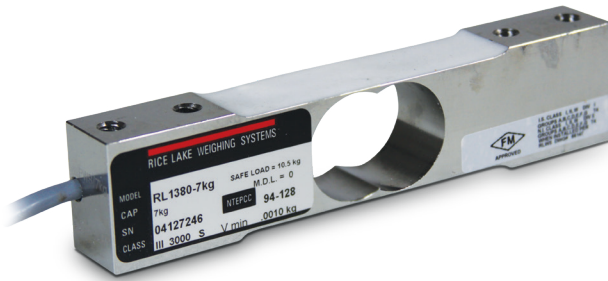
**Specifications**

- Full Scale Output:**  
2.0 mV/V
- Output Resistance:**  
350 (± 5) ohm, nominal
- Input Resistance:**  
383 (± 15) ohm
- Material/Finish:**  
Stainless steel
- Temperature:**  
Operating:  
14 ° F to 104 ° F (-10 ° C to 40 ° C)  
Compensated:  
14 ° F to 104 ° F (-10 ° C to 40 ° C)
- Seal Type:**  
Environmentally sealed, IP65
- Safe Overload:**  
200% at center loading point, full scale
- Rated Excitation:**  
5 to 10 VDC (15 V maximum)
- Combined Error:**  
0.02% full scale
- Insulation Resistance:**  
2,000 megohm
- Deflection at Capacity:**  
0.4 mm
- Cable Length:**  
10 ft
- Cable Diameter:**  
0.200 in PVC jacket
- Cable Color Code:**  
Green +Excitation  
Black -Excitation  
Red +Signal  
White -Signal  
Blue +Sense  
Brown -Sense
- Max Platform Size:**  
15.75 × 15.75 in
- Warranty:**  
Two-year limited
- Approvals:**  
cFMus

**RICE LAKE  
LOAD CELLS**

SINGLE POINT  
**RL1380**

Stainless Steel, Environmentally Sealed, NTEP Certified 1:3,000 Class III Single Cell, IP67



Picture is a representation of actual product.

**Approvals**

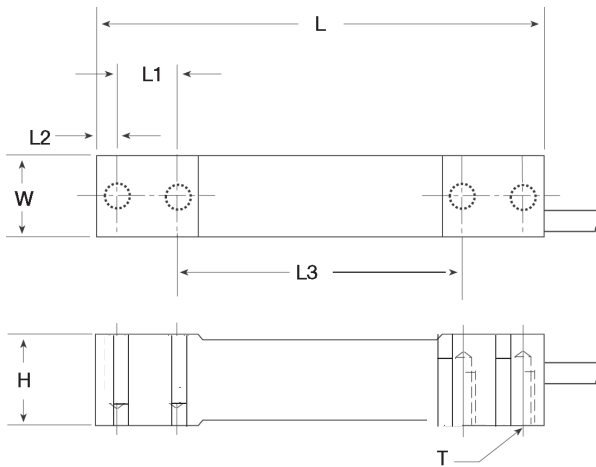


**Order Information**

Load Rating	Part #	Est. Weight	Price
7 kg	30783	2 lb	\$344.50
10 kg	30782	2 lb	\$344.50
15 kg	30781	2 lb	\$344.50
30 kg	30780	2 lb	\$344.50
60 kg	30779	2 lb	\$344.50

**Dimensions**

Rated Capacity	H	L	L1	L2	L3	T	W
kg/mm							
7 to 15	30.2	139.7	19.1	6.4	88.9	1/4-20 UNC	19.0
30 to 60	30.2	139.7	19.1	6.4	88.9	1/4-20 UNC	23.6



**Interchangeable Products**

HBK®  
PWS.....page 231

**Specifications**

- Full Scale Output:**  
2.0 mV/V
- Output Resistance:**  
359 (± 10) ohm
- Input Resistance:**  
390 (± 15) ohm
- Material/Finish:**  
Stainless steel
- Temperature:**  
Compensated:  
14 °F to 104 °F (-10 °C to 40 °C)  
Operating:  
0 °F to 150 °F (-18 °C to 65 °C)
- Seal Type:**  
Environmentally sealed, IP67
- Safe Overload:**  
150% full scale
- Rated Excitation:**  
5 to 10 VDC (15 V maximum)
- Combined Error:**  
0.03% full scale
- Insulation Resistance:**  
5,000 megohm
- Deflection at Capacity:**  
<0.4 mm full scale
- Cable Length:**  
10 ft
- Cable Diameter:**  
0.190 in  
Polyurethane jacket
- Cable Color Code:**  
Green +Excitation  
Black -Excitation  
White +Signal  
Red -Signal  
Yellow Shield
- Max Platform Size:**  
15.75 × 15.75 in
- Warranty:**  
Two-year limited
- Approvals:**  
FM  
NTEP 94-128

RICE LAKE  
LOAD CELLS





Picture is a representation of actual product.

**Approvals**

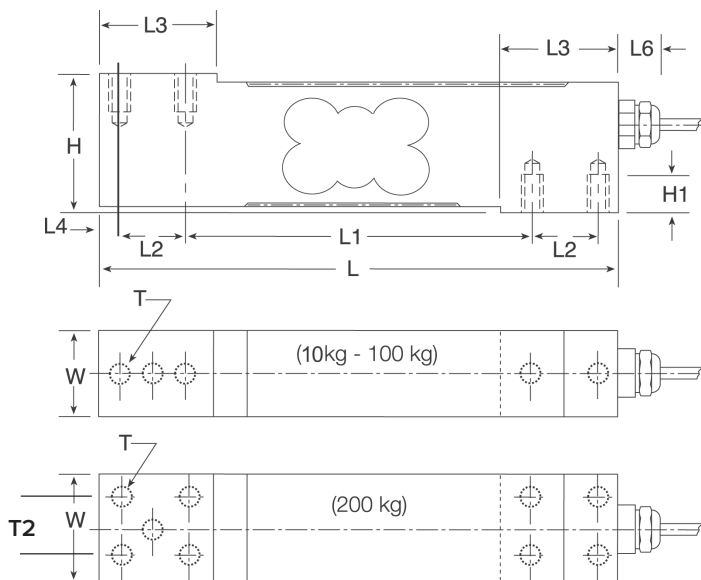


**Order Information**

Load Rating	Part #	Est. Weight	Price
<b>NTEP Certified</b>			
10 kg	41405	3 lb	\$328.00
15 kg	41233	3 lb	\$328.00
30 kg	41234	3 lb	\$328.00
50 kg	41235	3 lb	\$328.00
75 kg	41236	3 lb	\$328.00
<b>Non-NTEP Certified</b>			
100 kg	41237	3 lb	\$310.00
200 kg	41406	4 lb	\$477.00

**Dimensions**

Rated Capacity	H	H1	L	L1	L2	L3	L4	L6	W	T	T2
kg/mm											
10 to 100	40.0	10.0	150.0	100.0	19.0	32.0	6.0	20.0	25.4	1/4-20 UNC x 19.1 DP	N/A
200	40.0	10.0	150.0	100.0	19.0	32.0	6.0	20.0	38.1	1/4-20 UNC x 19.1 DP	25.4



**Interchangeable Products**

FLINTEC®  
PC1.....page 215

**Specifications**

- Full Scale Output:**  
2.0 mV/V
- Output Resistance:**  
330 (± 25) ohm
- Input Resistance:**  
390 (± 20) ohm
- Material/Finish:**  
Stainless steel
- Temperature:**  
Operating:  
0 °F to 150 °F (-18 °C to 65 °C)
- Seal Type:**  
Environmentally sealed, IP67
- Safe Overload:**  
200% full scale
- Rated Excitation:**  
5 VDC (15 V maximum)
- Combined Error:**  
0.02% full scale
- Insulation Resistance:**  
5,000 megohm
- Cable Length:**  
10 ft
- Cable Diameter:**  
0.196 in  
Polyurethane jacket
- Cable Color Code:**  
Green +Excitation  
Black -Excitation  
White +Signal  
Red -Signal  
Yellow Shield
- Max Platform Size:**  
18 × 18 in
- Warranty:**  
Two-year limited
- Approvals:**  
FM  
NTEP 00-125

**RICE LAKE  
LOAD CELLS**

SINGLE POINT  
**RL260FD**

Fluid Damped, Stainless Steel, Environmentally Sealed, NTEP Certified Single Cell 1:3,000, IP68



Protective Cover

Picture is a representation of actual product.

Approvals

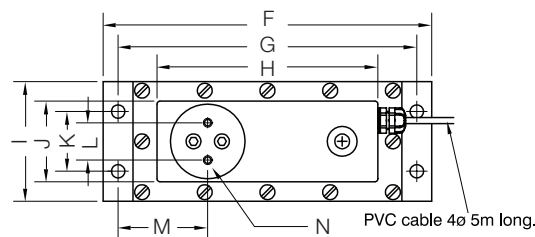
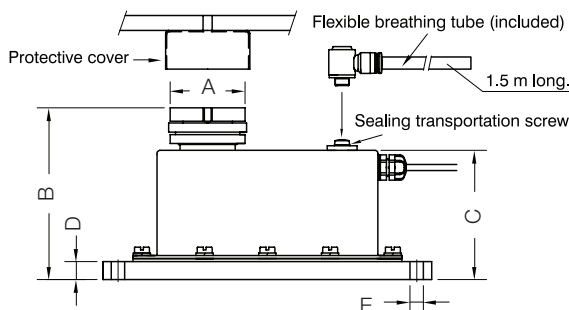


Order Information

Load Rating	Part #	Est. Weight	Price
2 kg	194928	8 lb	\$710.00
3 kg	199001	8 lb	\$710.00
5 kg	194929	8 lb	\$710.00
7 kg	194930	8 lb	\$710.00
10 kg	194932	8 lb	\$710.00
15 kg	194933	8 lb	\$710.00
20 kg	194934	8 lb	\$710.00
30 kg	194935	8 lb	\$710.00
50 kg	194936	16 lb	\$710.00

Dimensions

Rated Capacity	A	B	C	D	E	F	G	H	I	J	K	L	M	N
kg/mm														
2 to 50	50 dia	115.0	86.5	12.0	9.0	220.0	200.0	148.0	80.0	54.0	40.0	25.0	60.0	1/4-20 UNC



Interchangeable Products

VPG® TEDEA-HUNTLEIGH®

**240\*** ..... page 325

\*5000d NTEP, 10ft cable

Specifications

**Full Scale Output:**

2.0 mV/V

**Output Resistance:**

350 (± 3) ohm

**Input Resistance:**

400 (± 20) ohm

**Material/Finish:**

Stainless steel

**Temperature:**

Compensated:

14 °F to 104 °F (-10 °C to 40 °C)

Operating:

0 °F to 150 °F (-18 °C to 65 °C)

**Seal Type:**

Environmentally sealed, IP68

**Safe Overload:**

200% of full scale

**Rated Excitation:**

5 to 10 VDC

**Combined Error:**

0.017% full scale

**Insulation Resistance:**

> 5,000 megohm

**Cable Length:**

5 m

**Cable Color Code:**

Green +Excitation

Black -Excitation

Red +Signal

White -Signal

Blue +Sense

Yellow -Sense

**Warranty:**

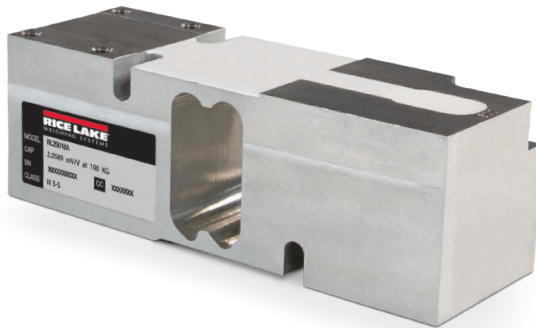
Two-year limited

**Approvals:**

NTEP 20-045

cFMus

RICE LAKE  
LOAD CELLS



Picture is a representation of actual product.

**Approvals**

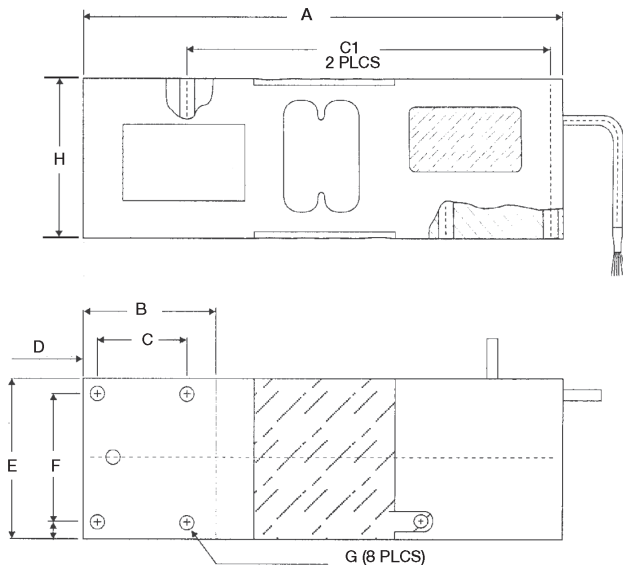


**Order Information**

Load Rating	Part #	Est. Weight	Price
50 kg	<b>188682</b>	5 lb	\$290.00
75 kg	<b>188683</b>	5 lb	\$290.00
100 kg	<b>188684</b>	5 lb	\$290.00
150 kg	<b>188685</b>	5 lb	\$290.00
200 kg	<b>188686</b>	5 lb	\$290.00
250 kg	<b>188687</b>	5 lb	\$290.00
300 kg	<b>188688</b>	5 lb	\$290.00
500 kg	<b>188689</b>	5 lb	\$290.00
635 kg	<b>188690</b>	5 lb	\$290.00

**Dimensions**

Rated Capacity	A	B	C	C1	D	E	F	G	H
kg/mm									
50 to 635	188.0	52.0	35.0	142.0	5.5	63.5	50.0	5/16-18 UNC	62.3



**Interchangeable Products**

- RICE LAKE WEIGHING SYSTEMS  
**RLPWM16**.....page 162
- RICE LAKE WEIGHING SYSTEMS  
**RL1260**  
VPG® TEDEA-HUNTLEIGH®  
**1260** .....page 319

**Specifications**

- Full Scale Output:**  
2.0 mV/V nominal
- Output Resistance:**  
350 (± 3) ohm
- Input Resistance:**  
415 (± 15) ohm
- Material/Finish:**  
Anodized aluminum
- Temperature:**  
Compensated:  
14 °F to 104 °F (-10 °C to 40 °C)  
Operating:  
0 °F to 150 °F (-18 °C to 65 °C)
- Seal Type:**  
Environmentally sealed, IP67
- Safe Overload:**  
150% of full scale
- Rated Excitation:**  
5 to 10 VDC (15 V maximum)
- Combined Error:**  
0.02% full scale
- Insulation Resistance:**  
> 5,000 megohm
- Deflection at Capacity:**  
0.3 to 0.5 mm
- Cable Length:**  
10 ft
- Cable Color Code:**  
Green +Excitation  
Black -Excitation  
Red +Signal  
White -Signal  
Blue +Sense  
Yellow -Sense
- Warranty:**  
Two-year limited
- Approvals:**  
cFMus  
NTEP 18-108

**RICE LAKE  
LOAD CELLS**

SINGLE POINT  
**RL1218A**

Aluminum, Environmentally Sealed, NTEP Certified 1:5,000 Class III Single Cell, IP67



Picture is a representation of actual product.

Approvals

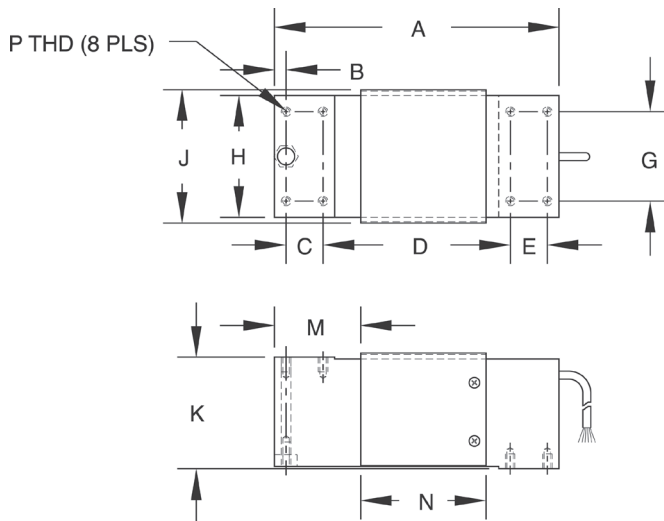


Order Information

Load Rating	Part #	Est. Weight	Price
50 kg	191096	5 lb	\$328.00
75 kg	191097	5 lb	\$328.00
100 kg	191098	5 lb	\$328.00
150 kg	191099	5 lb	\$328.00
200 kg	191100	5 lb	\$328.00
250 kg	191101	5 lb	\$328.00
300 kg	191102	5 lb	\$328.00
500 kg	191103	5 lb	\$328.00
635 kg	191104	5 lb	\$328.00
1,000 kg	191105	5 lb	\$328.00

Dimensions

Rated Capacity	A	B	C	D	E	G	H	J	K	M	N	P
kg/mm												
50 to 1,000	191.0	8.0	25.0	125.0	25.0	60.0	75.0	82.0	75.0	57.5	85.0	5/16-18 UNC x 15 DP



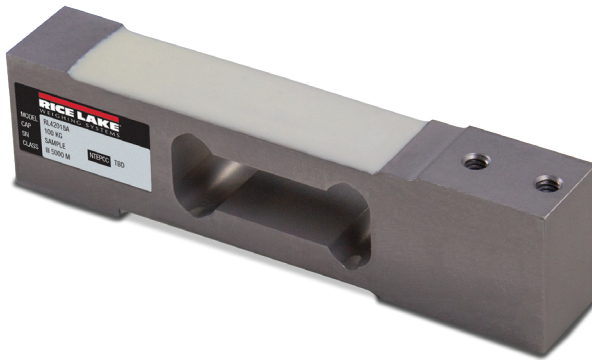
Interchangeable Products

RICE LAKE WEIGHING SYSTEMS  
**RLPWM12**.....page 161  
 VPG® TEDEA-HUNTLEIGH®  
**1250** ..... page 322

Specifications

- Full Scale Output:**  
2.0 mV/V nominal
- Output Resistance:**  
350 (± 3) ohm
- Input Resistance:**  
415 (± 15) ohm
- Material/Finish:**  
Anodized aluminum
- Temperature:**  
Compensated:  
14 °F to 104 °F (-10 °C to 40 °C)  
Operating:  
0 °F to 150 °F (-18 °C to 65 °C)
- Seal Type:**  
Environmentally sealed, IP67
- Safe Overload:**  
150% full scale
- Rated Excitation:**  
5-10 VDC (15 V maximum)
- Combined Error:**  
0.02% full scale
- Insulation Resistance:**  
> 5,000 megohm
- Deflection at Capacity:**  
0.4 mm
- Cable Length:**  
10 ft
- Cable Color Code:**  
Green +Excitation  
Black -Excitation  
Red +Signal  
White -Signal  
Blue +Sense  
Yellow -Sense
- Max Platform Size:**  
50 to 500 kg: 800 × 800 mm  
635 to 1,000 kg: 600 × 600 mm
- Warranty:**  
Two-year limited
- Approvals:**  
cFMus  
NTEP 18-133

RICE LAKE  
LOAD CELLS



Picture is a representation of actual product.

**Approvals**

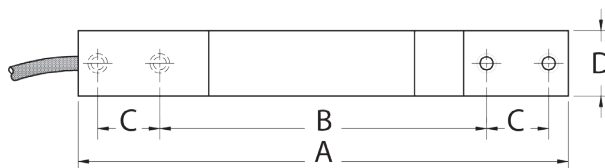
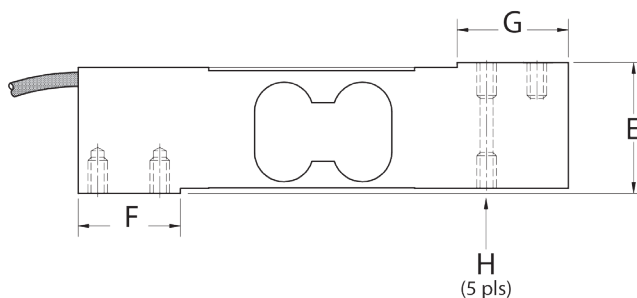


**Order Information**

Load Rating	Part #	Est. Weight	Price
3 kg	<b>188672</b>	2 lb	\$190.00
5kg	<b>188673</b>	2lb	\$190.00
7 kg	<b>188674</b>	2lb	\$190.00
10 kg	<b>188675</b>	2lb	\$190.00
15 kg	<b>188676</b>	2lb	\$190.00
20 kg	<b>188677</b>	2lb	\$190.00
30 kg	<b>188678</b>	2lb	\$190.00
50 kg	<b>188679</b>	2lb	\$190.00
75 kg	<b>188680</b>	2lb	\$190.00
100 kg	<b>188681</b>	2lb	\$190.00

**Dimensions**

Rated Capacity	A	B	C	D	E	F	G	H
kg/mm								
3 to 30	150.0	100.0	19.0	20.0	40.0	31.2	34.0	1/4-20 UNC
50 to 100	150.0	100.0	19.0	25.4	40.0	31.2	34.0	1/4-20 UNC



**Interchangeable Products**

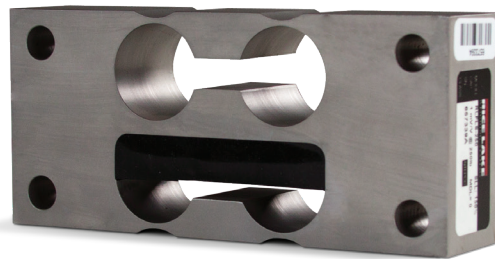
- RICE LAKE WEIGHING SYSTEMS  
**RL1042**.....page 163
- RICE LAKE WEIGHING SYSTEMS  
**RLSP4**.....page 160
- VPG® TEDEA-HUNTLEIGH®  
**1042**.....page 313
- HBK®  
**SP4M\***.....page 228

\*Color code is different

**Specifications**

- Full Scale Output:**  
2.0 mV/V ± 10%
- Output Resistance:**  
350 (± 3) ohm
- Input Resistance:**  
400 (± 20) ohm
- Material/Finish:**  
Aluminum
- Temperature:**  
Compensated:  
14 °F to 104 °F (-10 °C to 40 °C)  
Operating:  
0 °F to 150 °F (-18 °C to 65 °C)
- Seal Type:**  
Environmentally sealed, IP66
- Safe Overload:**  
150% of full scale at center loading point
- Rated Excitation:**  
10 VDC
- Combined Error:**  
0.02% full scale
- Insulation Resistance:**  
> 5,000 megohm
- Deflection at Capacity:**  
0.3 to 0.5 mm
- Cable Length:**  
10 ft
- Cable Color Code:**  
Green +Excitation  
Black -Excitation  
Red +Signal  
White -Signal  
Blue +Sense  
Yellow -Sense
- Max Platform Size:**  
15.75 × 15.75 in max
- Warranty:**  
Two-year limited
- Approvals:**  
cFMus  
NTEP 18-105

**RICE LAKE  
LOAD CELLS**



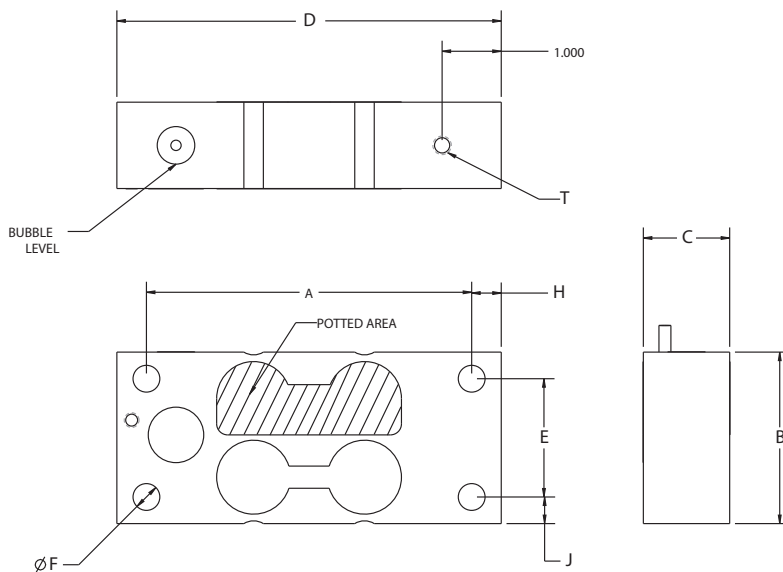
Picture is a representation of actual product.

### Order Information

Load Rating	Part #	Est. Weight	Price
50 lb	125612	3 lb	\$650.00

### Dimensions

Rated Capacity	A	B	C	D	E	F	H	J	T
50	5.50	2.90	0.74	6.50	2.00	0.50	0.50	0.45	5/16-18 UNC x 0.50



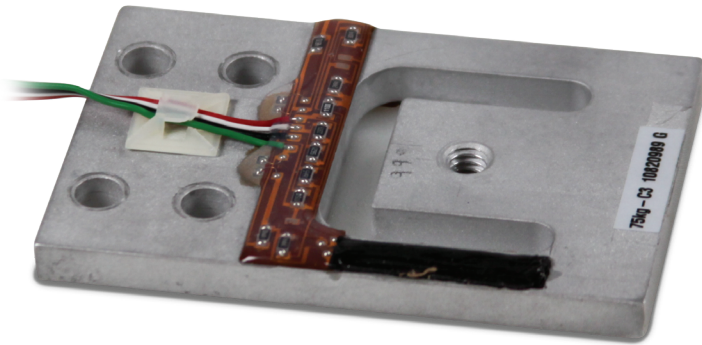
### Interchangeable Products

EVERY WEIGH-TRONIX®  
FLS

### Specifications

- Full Scale Output:**  
1.0 (± 10%) mV/V
- Output Resistance:**  
350 (± 3) ohm
- Input Resistance:**  
385 (± 10) ohm
- Material/Finish:**  
Stainless steel
- Temperature:**  
Operating:  
0 °F to 150 °F (-18 °C to 65 °C)
- Seal Type:**  
Environmentally sealed, IP67
- Safe Overload:**  
150% full scale
- Rated Excitation:**  
5 to 15 VDC
- Nonlinearity:**  
0.02% full scale
- Hysteresis:**  
0.02% full scale
- Insulation Resistance:**  
5,000 megohm
- Cable Length:**  
10 ft
- Cable Color Code:**  
Green +Excitation  
Black -Excitation  
Red +Signal  
White -Signal
- Warranty:**  
Two-year limited

RICE LAKE  
LOAD CELLS



Picture is a representation of actual product.

**Interchangeable Products**

FLINTEC®

PB.....page 221

**Specifications**

**Full Scale Output:**

1.0 mV/V

**Output Resistance:**

1,000 (± 10) ohm

**Input Resistance:**

1,180 (± 50) ohm

**Material/Finish:**

Aluminum

**Temperature:**

Operating:  
0 °F to 150 °F (-18 °C to 65 °C)

**Seal Type:**

Environmentally sealed, IP65

**Safe Overload:**

150% full scale

**Rated Excitation:**

5 to 15 VDC

**Combined Error:**

0.05% full scale

**Insulation Resistance:**

5,000 megohm

**Cable Length:**

15 kg: 1.0 m  
37.5 kg, 75 kg, 150 kg: 1.5 m

**Cable Color Code:**

Green +Excitation  
Black -Excitation  
White +Signal  
Red -Signal

**Warranty:**

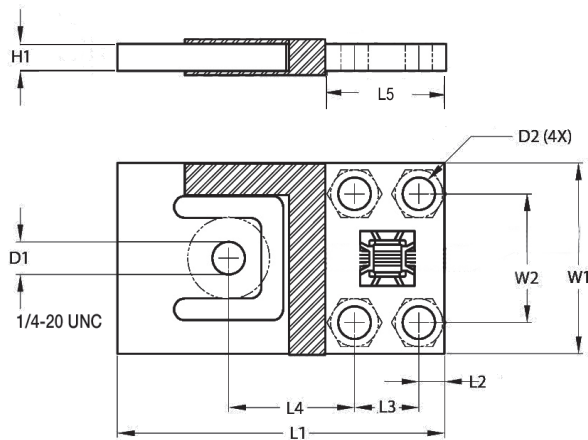
Two-year limited

**Order Information**

Load Rating	Part #	Est. Weight	Price
15 kg	100272	1 lb	\$87.00
37.5 kg	104645	1 lb	\$92.00
75 kg	100273	1 lb	\$97.00
150 kg	100274	1 lb	\$102.00

**Dimensions**

Rated Capacity	L1	L2	L3	L4	L5	W1	W2	H1	D1	D2
kg/mm										
15.0	70.0	4.9	14.0	28.0	23.7	39.0	27.8	4.1	7.6	5.1
37.5	76.2	6.0	15.0	29.3	27.0	44.5	30.0	4.8	7.6	6.6
75.0	84.4	6.4	15.0	34.0	27.7	54.8	30.0	6.4	7.6	6.6
150.0	107.3	7.8	22.9	45.9	38.4	69.9	44.5	7.9	9.1	8.1



**RICE LAKE  
LOAD CELLS**

TENSION LINK  
**RL2010**

Stainless Steel, Environmentally Sealed, IP67



Picture is a representation of actual product.

**Specifications**

- Full Scale Output:**  
3.0 (± 0.1%) mV/V
- Bridge Resistance:**  
350 ohm, nominal
- Material/Finish:**  
Stainless steel
- Temperature:**  
Operating:  
0 °F to 150 °F (-18 °C to 65 °C)
- Seal Type:**  
Environmentally sealed, IP67
- Safe Overload:**  
150% full scale
- Rated Excitation:**  
5 to 10 VDC (15 V maximum)
- Linearity:**  
0.05% full scale
- Repeatability:**  
0.03% full scale
- Insulation Resistance:**  
5,000 megohm
- Cable Length:**  
40 ft
- Cable Diameter:**  
0.25 in  
Polyurethane jacket with connector
- Cable Color Code:**  
Green +Excitation  
Black -Excitation  
White +Signal  
Red -Signal
- Warranty:**  
Two-year limited

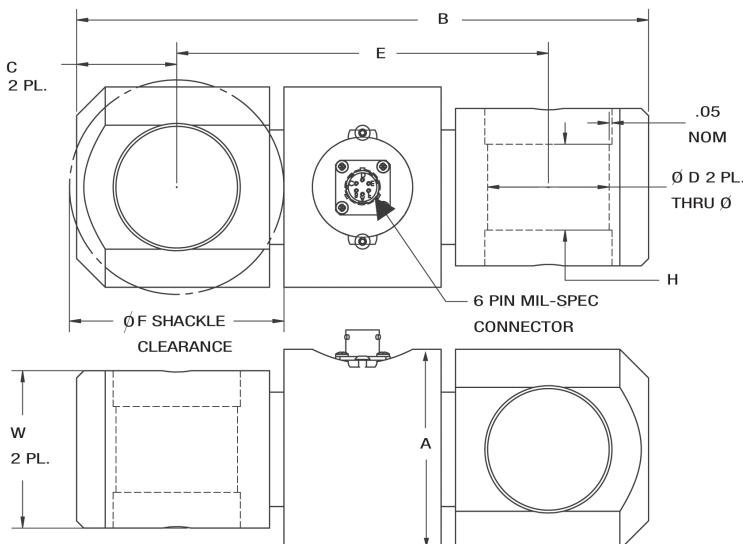
**Order Information**

Load Rating	Part #	Est. Weight	Price
5,000 lb	117731	5 lb	\$1,430.00
10,000 lb	117732	5 lb	\$1,430.00
25,000 lb	117733	8 lb	\$1,690.00
50,000 lb	117735	34 lb	\$2,915.00
75,000 lb	117736	34 lb	\$2,915.00
100,000 lb	117737	56 lb	\$3,127.00
150,000 lb	117738	56 lb	\$3,127.00
200,000 lb	117739	95 lb	\$5,565.00
250,000 lb	117740	117 lb	\$5,989.00
300,000 lb	117741	191 lb	\$8,427.00
500,000 lb	117742	191 lb	\$8,427.00
<b>Replacement Parts</b>			
40 ft load cell cable	187132		\$175.00

NOTE: Consult factory for shackles

**Dimensions**

Rated Capacity	A	B	C	ØD	E	ØF	W	H
5,000 to 10,000	2.00	6.50	1.00	1.05	4.50	2.38	1.37	0.75
25,000	2.75	8.00	1.38	1.55	5.25	2.88	2.00	1.00
50,000 to 75,000	3.25	14.00	2.50	2.31	9.00	5.00	3.00	1.75
100,000 to 150,000	4.00	16.00	2.88	2.88	10.25	6.25	4.00	2.00
200,000	6.00	18.00	3.25	3.38	11.50	6.50	4.75	2.38
250,000	6.50	20.00	3.75	3.88	12.50	7.50	5.00	2.75
300,000 to 500,000	7.50	24.00	4.50	4.31	15.00	9.50	5.40	3.00



RICE LAKE  
LOAD CELLS





## Standard Features

- Designed and manufactured to each integrated solution. Machined from 17-4 stainless steel for safety, strength and corrosion resistance.
- (Contact MSI for application consultation)

For most overhead weighing applications, traditional scales are an ideal solution. However, applications with limited to no headroom require specialty equipment beyond even reduced-height or low-profile crane scales.

One such solution is an MSI load pin sensor. A load pin sensor is a type of load cell that directly replaces clevis, pivot, normal shaft or equalizer pins. Load pin sensors are designed to be permanently installed, so they can continuously monitor vertical or horizontal tension. An integrated load pin provides load monitoring and overload protection without impacting headroom to promote safety and to prevent costly equipment damage.

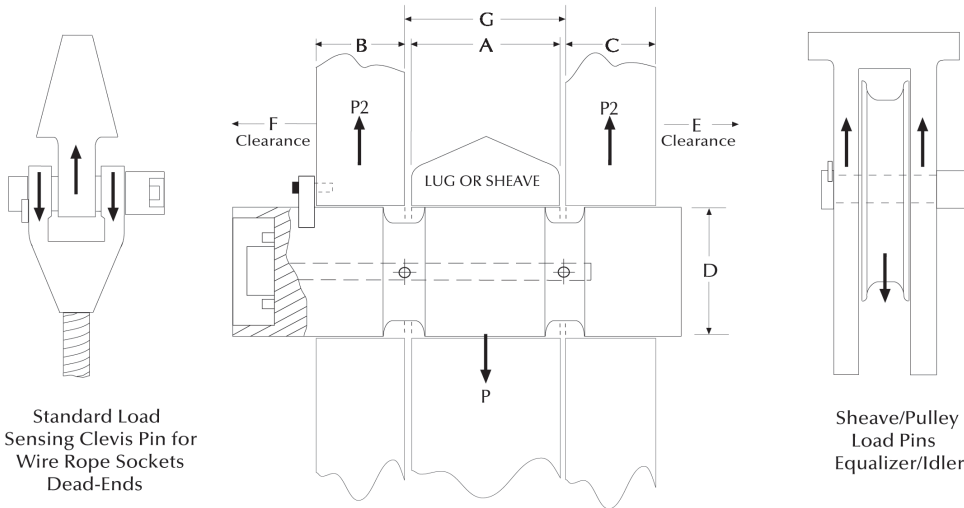
Rice Lake's industry leading engineers design and manufacture custom load pin sensors for any application. Every load pin is constructed from stainless steel for safety, strength (minimum 5:1) and corrosion resistance.

To receive a quote for a load pin sensor, complete the load pin questionnaire on page 176 or online at [www.ricelake.com/questionnaires](http://www.ricelake.com/questionnaires). For further assistance, contact an MSI overhead weighing specialist.

# MSI Load Pin Questionnaire

Name: \_\_\_\_\_  
 Company: \_\_\_\_\_  
 Phone: \_\_\_\_\_

## LOAD PIN CRITICAL DIMENSIONS



A=Width	B=Width	C=Width	D=Diameter	E=Clearance	F=Clearance	G=Width
inch	inch	inch	inch	inch	inch	inch

NOTE: Minimum clearance between A and G is 0.0625 inch

## LOAD PIN DATA

Lube port:  Yes  No \_\_\_\_\_ # of exits  
 Accuracy requirement: \_\_\_\_\_  
 Hoist capacity: \_\_\_\_\_ tons  
 Temperature requirement: \_\_\_\_\_  
 Parts of wire rope: \_\_\_\_\_  
 Output requirement: \_\_\_\_\_  
 Sensor capacity: \_\_\_\_\_ tons  
 Material testing requirements: \_\_\_\_\_  
 Safety factor:  3:1  5:1  7:1  10:1  
 Load vector orientation/alignment:  
 Application: \_\_\_\_\_  ←  →  ↑  ↓

## CABLE CONNECTIONS

End-mounted cable: Sensor's cable length: \_\_\_\_\_ feet  
 End-mounted connector: Comments: \_\_\_\_\_  
 (standard) \_\_\_\_\_  
 Side-mounted cable: \_\_\_\_\_  
 Side-mounted connector: \_\_\_\_\_  
 Recessed connector: \_\_\_\_\_

Form #0201 New 10/2024

RICE LAKE  
LOAD CELLS



## Standard Features

- Integrates between a crane block and lifting equipment to provide force measurement for lifted items. This ideal integration for cranes features a 7:1 safety factor for compliance with industrial and military safety requirements.

## Options

(Contact MSI for application consultation)

- Crosby® top and bottom shackles

## Specifications

### Full Scale Output:

0.8 mV/V

### Output Resistance:

2,000 ohm

### Input Resistance:

1,500 ohm

### Material/Finish:

4340 steel

### Connector Pin Out:

A: EX +

B: Sig +

C: Sig -

D: EX -

### Accuracy:

0.1% sensor accuracy

## Part Number/Price

Part #	Description	Price
181907	2 K 7200 style load cell only	Consult
181908	5 K 7200 style load cell only	Consult
181909	10 K 7200 style load cell only	Consult
178093	25 K 7200 style load cell only	Consult
178094	50 K 7200 style load cell only	Consult
181910	100 K 7200 style load cell only	Consult

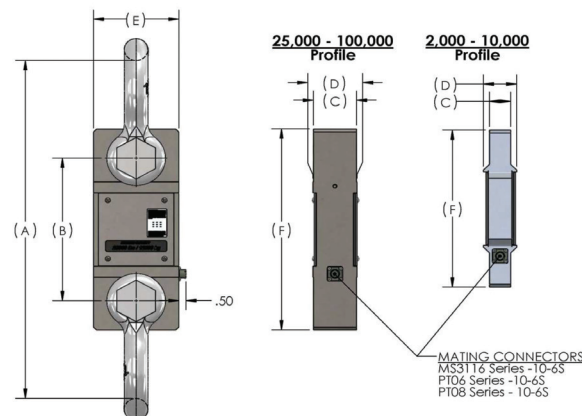
Contact factory for higher capacities

## Options/Accessories

Part #	Description	Price
165978	Load cell to MSI-7001 interface cable, 6.5 ft	\$345.00
165979	Load cell to MSI-7001 interface cable, 10 ft	\$365.00
165990	Load cell to MSI-7001 interface cable, 25 ft	\$460.00
134505	Load cell mating cable to bare wires, 10 ft	\$195.00

## Dimensions

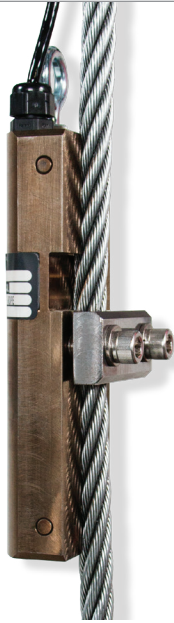
Capacity (lbs)	P/N	Load Cell Material	(A) Headroom Loss	(B) C-C Length	(C) Lug Thk	(D) Body Thk	(E) Body Width	(F) Body Length	Lug Hole	Crosby Shackle
2,000	181907	Aluminum	13.50 in	8.00 in	0.99 in	2.13 in	4.50 in	9.75 in	0.78 in	3-1/4 T 151357
5,000	181908	Aluminum	13.50 in	8.00 in	0.99 in	2.13 in	4.50 in	9.75 in	0.78 in	3-1/7 T 151357
10,000	181909	Aluminum	16.13 in	8.50 in	1.35 in	2.13 in	5.37 in	10.75 in	1.05 in	6-1/2 T 151355
25,000	178093	Steel	22.39 in	9.26 in	2.24 in	2.24 in	4.80 in	12.76 in	1.67 in	17 T 141992
50,000	178094	Steel	25.74 in	9.76 in	2.74 in	2.81 in	5.43 in	13.76 in	2.05 in	25 T 151356
100,000	181910	Steel	28.49 in	10.74 in	3.09 in	3.09 in	6.86 in	15.74 in	2.30 in	55 T 146336



RICE LAKE  
LOAD CELLS

# MSI Clamp-On

Load Cell



## Standard Features

- A durable solution for measuring wire rope tension and preventing overloads for cranes and hoists. Available in two envelopes for accommodating the most common wire ropes. Weight-based setpoints can provide the operator alerts and safety shut-offs based on unsafe load conditions.

## Options

(Contact MSI for application consultation)

- Custom sizes available on request
- Pair with an SCT transmitter for basic safety functions

## Specifications

**System Accuracy of Calibrated Capacity:**  
3 to 5%

**Output Resistance:**  
350 ohm

**Material/Finish:**  
4340 steel, zinc plated

**IP Rating:**  
IP68

**Cable Length:**  
20 ft integral cable with blunt end termination

**Cable Color Code:**  
Red +Excitation  
Black -Excitation  
Green +Signal  
White -Signal

## Part Number/Price

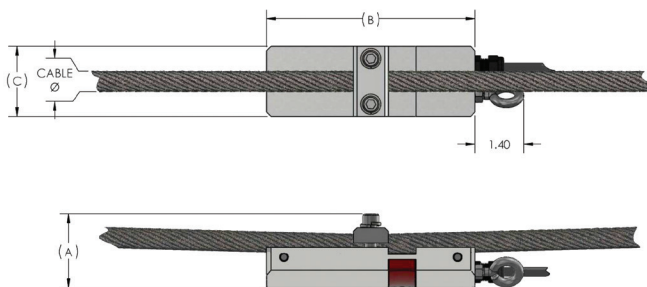
Part #	Description	Price
179080	Load Cell Assembly Clamp-On for 3/8 to 1/2 in wire rope	\$790.00
179082	Load Cell Assembly Clamp-On for 9/16 to 3/4 in wire rope	\$940.00
188816	Kit with SCT-2200 for 3/8 to 1/2 in wire rope	\$1,400.00
188817	Kit with SCT-2200 for 9/16 to 3/4 in wire rope	\$1,550.00

Larger diameter clamp ons available - call for pricing

## Dimensions

Cable Range	Part #	A	B	C
3/8 to 1/2	179080	Cable + 1.70	6.00	2.00
9/16 to 3/4	179082	Cable + 1.67	6.00	2.00

\*8mm cable can be used with PN 179080



Optional SCT-2200 transmitter

RICE LAKE  
LOAD CELLS

### COMPRESSION CANISTERS

Page 180

#### C2P1, ALLOY STEEL



Single-column design with low deflection and trouble-free operation. High alloy steel and epoxy coated for use in harsh environments. Compact and rugged. NTEP Certified capacities range from 20,000 lb to 200,000 lb; non-NTEP Certified capacity of 300,000 lb. Complete with 10 ft or 35 ft of load cell cable.



Page 181

#### C3P1, ALLOY STEEL



Environmentally protected, single-column design provides low deflection and trouble-free operation. Compact and rugged high-alloy steel. Epoxy coated for corrosion resistance. Capacities range from 500 lb to 10,000 lb. Complete with 35 ft of load cell cable.



### TENSION CANISTERS

Page 182

#### T2P1, ALLOY STEEL



Single-column, environmentally protected design provides low deflection and trouble-free operation. High-alloy steel and epoxy coated construction yields reliable performance in harsh environments. Designed for high-capacity tension applications. Capacities of 20,000 lb and 50,000 lb. Complete with 35 ft of load cell cable.



Page 183

#### T3P1, ALLOY STEEL



Features low deflection and trouble-free operation. Single-column, environmentally protected design with high-alloy steel and epoxy-coated construction for optimal performance in harsh environments. Designed for high-capacity tension operations. Capacities of 500 lb and 10,000 lb. Complete with 35 ft of load cell cable.



# C2P1

Alloy Steel, Environmentally Sealed, NTEP Certified 1:4,500 Class III L Multiple Cell, IP67



Picture is a representation of actual product.

### Approvals

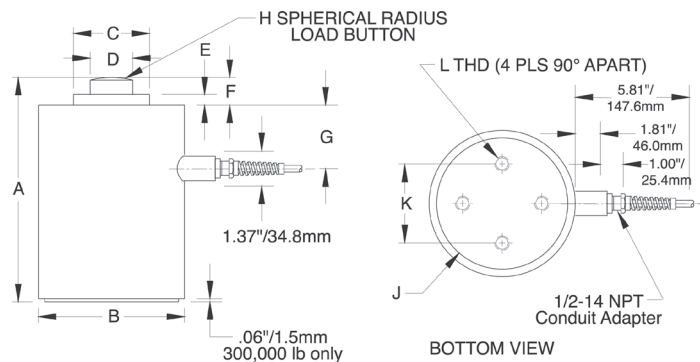


### Order Information

Load Rating	Part #	Est. Weight	Price
<b>NTEP Certified, 10 ft Cables</b>			
20,000 lb	21625	25 lb	\$3,595.00
50,000 lb	21626	25 lb	\$3,495.00
100,000 lb	21627	50 lb	\$3,695.00
200,000 lb	21628	110 lb	\$3,995.00
<b>NTEP Certified, 35 ft Cables</b>			
20,000 lb	21630	25 lb	\$3,695.00
50,000 lb	21632	25 lb	\$3,595.00
100,000 lb	21633	50 lb	\$3,795.00
200,000 lb	21634	110 lb	\$4,195.00
<b>Non-NTEP Certified, 10 ft Cables</b>			
300,000 lb	17670	180 lb	\$8,095.00
<b>Non-NTEP Certified, 35 ft Cables</b>			
300,000 lb	17671	190 lb	\$8,195.00

### Dimensions

Rated Capacity	A	B	C	D	E	F	G	H	J	K	L
20,000 to 50,000	7.50	4.50	2.25	1.25	0.50	0.75	2.50	6.00	—	2.38	3/8-24 UNF × 3/8 DP
100,000	9.13	6.00	3.13	1.75	0.63	1.06	2.50	12.00	—	4.00	1/2-20 UNF × 3/4 DP
200,000	11.63	8.00	4.50	2.50	0.63	1.06	3.50	12.00	—	5.50	5/8-18 UNF × 1 DP
300,000	14.00	10.00	5.00	3.00	0.75	1.31	4.31	15.00	8.00	5.50	3/4-16 UNF × 1 1/4 DP



### Interchangeable Products

- FAIRBANKS®  
**3-38065-X, 3-38066-X**
- STREETER RICHARDSON®  
**2011611, 2011612**
- STREETER RICHARDSON  
**2011613, 2011614, 2011617**
- METTLER TOLEDO®  
**10049200A, 10014900A**
- METTLER TOLEDO  
**10011900A, 10049300A**

### Specifications

- Full Scale Output:**  
2.0 mV/V
- Output Resistance:**  
350 (± 3.5) ohm
- Input Resistance:**  
350 (± 3.5) ohm
- Material/Finish:**  
High-alloy steel, epoxy coated
- Temperature:**  
Compensated:  
14 °F to 104 °F (-10 °C to 40 °C)  
Operating:  
0 °F to 150 °F (-18 °C to 65 °C)
- Seal Type:**  
NEMA Type 6 Environmentally sealed, IP67
- Safe Overload:**  
150% full scale
- Rated Excitation:**  
5 to 20 VDC
- Nonlinearity:**  
0.03% full scale
- Hysteresis:**  
0.02% full scale
- Insulation Resistance:**  
5,000 megohm
- Deflection at Capacity:**  
20,000 lb: 0.0075 in  
30,000 lb: 0.0075 in  
50,000 lb: 0.0065 in  
100,000 lb: 0.0075 in  
200,000 lb: 0.0070 in  
300,000 lb: 0.012 in
- Cable Length:**  
10 ft  
35 ft
- Cable Color Code:**  
Green +Excitation  
Black -Excitation  
White +Signal  
Red -Signal  
Yellow Shield
- Warranty:**  
Three-year limited
- Approvals:**  
NTEP  
FM

VPG® BLH®



Picture is a representation of actual product.

**Approvals**



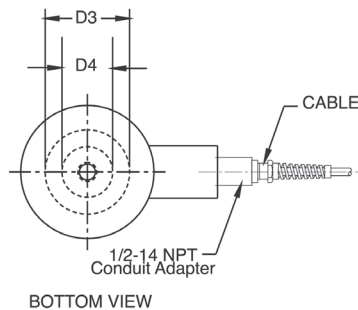
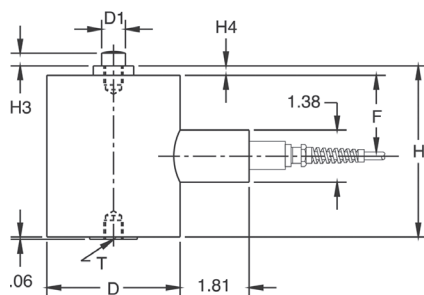
**Order Information**

Load Rating	Part #	Est. Weight	Price
500 lb	17672	10 lb	\$3,595.00
1,000 lb	17673	10 lb	\$3,595.00
2,000 lb	17674	10 lb	\$3,595.00
3,000 lb	17675	10 lb	\$3,595.00
5,000 lb	17676	15 lb	\$3,695.00
10,000 lb	17677	15 lb	\$3,695.00

**Dimensions**

Rated Capacity	D	D1	D3	D4	F	H	H3	H4	L	T
lb/in										
500 to 3,000	3.50	0.62	1.25	—	2.25	4.56	0.38	0.25	—	1/2-20 UNF × 0.50 DP
5,000 to 10,000	3.50	1.06	2.50	1.75	2.66	5.94	0.62	0.38	0.50	1-14 UNS × 1.25 DP

HOLES CAN BE DRILLED WITHIN THIS AREA TO RECEIVE LOCKING SCREWS. MAX. DEPTH OF HOLES IS "L" DIM.



**Interchangeable Products**

- FAIRBANKS®  
**3-38054-X**
- METTLER TOLEDO®  
**1004400A, KN713700**
- METTLER TOLEDO  
**KB200570, 10049100A**

**Specifications**

- Full Scale Output:**  
3.0 mV/V
- Output Resistance:**  
350 (± 3.5) ohm
- Input Resistance:**  
350 (± 3.5) ohm
- Material/Finish:**  
High-alloy steel, epoxy coated
- Temperature:**  
Operating:  
0 °F to 150 °F (-18 °C to 65 °C)
- Seal Type:**  
NEMA Type 6 Environmentally sealed, IP67
- Safe Overload:**  
150% full scale
- Rated Excitation:**  
5 to 20 VDC
- Nonlinearity:**  
0.05% full scale
- Hysteresis:**  
500 lb: 0.05% full scale  
1,000 to 10,000 lb: 0.02% full scale
- Insulation Resistance:**  
5,000 megohm
- Deflection at Capacity:**  
500 lb: 0.007 in  
1,000 lb: 0.006 in  
2,000 lb: 0.005 in  
3,000 lb: 0.005 in  
5,000 lb: 0.007 in  
10,000 lb: 0.005 in
- Cable Length:**  
35 ft
- Cable Color Code:**  
Green +Excitation  
Black -Excitation  
White +Signal  
Red -Signal  
Yellow Shield
- Warranty:**  
Three-year limited
- Approvals:**  
FM

# T2P1

Alloy Steel, Environmentally Sealed, IP67



Picture is a representation of actual product.

### Approvals

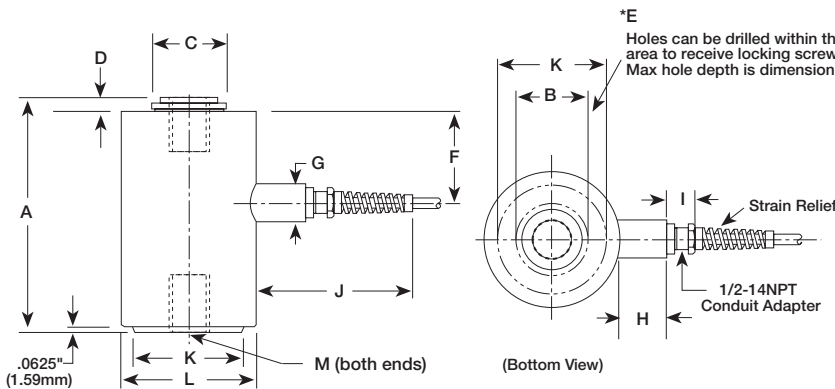


### Order Information

Load Rating	Part #	Est. Weight	Price
20,000 lb	17660	30 lb	\$3,695.00
50,000 lb	17661	65 lb	\$3,895.00

### Dimensions

Rated Capacity	A	B	C	D	E	F	G	H	I	J	K	L	M
lb/in													
20,000	8.50	2.63	2.75	0.50	1.00	3.38	1.38	1.81	1.00	5.81	4.00	5.00	1 1/2-12 UNF × 2 DP
50,000	11.44	3.75	4.00	0.63	1.00	5.00	1.38	1.81	1.00	5.81	5.75	6.50	2-12 UNF × 2.63 DP



### Interchangeable Products

FAIRBANKS®  
**657090, 657091**  
 STREETER RICHARDSON®  
**2011711, 2011712**

### Specifications

- Full Scale Output:**  
2.0 mV/V
- Output Resistance:**  
350 (± 3.5) ohm
- Input Resistance:**  
350 (± 3.5) ohm
- Material/Finish:**  
High-alloy steel, epoxy coated
- Temperature:**  
Operating:  
0 °F to 150 °F (-18 °C to 65 °C)
- Seal Type:**  
Environmentally sealed, IP67
- Safe Overload:**  
150% full scale
- Rated Excitation:**  
5 to 20 VDC
- Combined Error:**  
± 0.03% full scale
- Repeatability:**  
0.02% full scale
- Insulation Resistance:**  
5,000 megohm
- Deflection at Capacity:**  
20,000 lb: 0.0075 in  
50,000 lb: 0.0100 in
- Cable Length:**  
35 ft
- Cable Color Code:**  
Green +Excitation  
Black -Excitation  
White +Signal  
Red -Signal  
Yellow Shield
- Warranty:**  
Three-year limited
- Approvals:**  
FM





Picture is a representation of actual product.

### Approvals

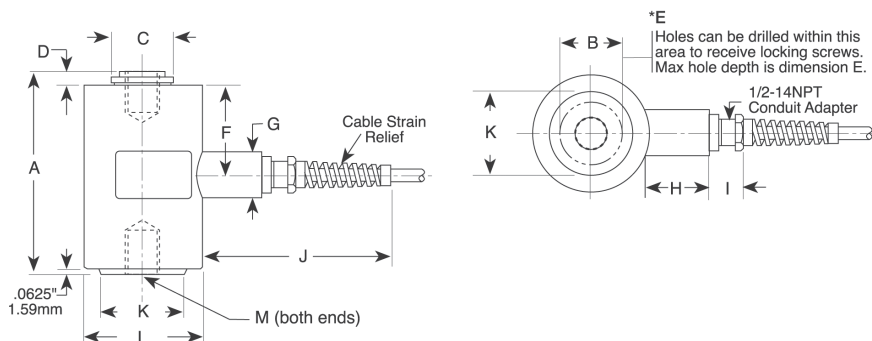


### Order Information

Load Rating	Part #	Est. Weight	Price
500 lb	17654	10 lb	\$3,595.00
1,000 lb	17655	10 lb	\$3,595.00
2,000 lb	17656	10 lb	\$3,595.00
3,000 lb	17657	10 lb	\$3,595.00
5,000 lb	17658	15 lb	\$3,695.00
10,000 lb	17659	15 lb	\$3,695.00

### Dimensions

Rated Capacity	A	B	C	D	E	F	G	H	I	J	K	L	M
500 to 3,000 lb/in	4.56	—	1.06	0.25	—	2.25	1.38	1.81	1.00	5.81	1.25	3.50	1/2-20 UNF × 0.5 DP
5,000 to 10,000 lb/in	5.93	1.75	1.87	0.38	0.50	2.66	1.38	1.81	1.00	5.81	2.50	3.50	1-14 UNS × 1.25 DP



### Interchangeable Products

FAIRBANKS®

**3-39897-X, 3-40766-X**

STREETER RICHARDSON®

**20117XX**

METTLER TOLEDO®

**10048X00A, KN75066**

### Specifications

#### Full Scale Output:

3.0 mV/V

#### Output Resistance:

350 ohm (± 3.5)

#### Input Resistance:

350 ohm (± 3.5)

#### Material/Finish:

High-alloy steel, epoxy coated

#### Temperature:

Operating:  
0 °F to 150 °F (-18 °C to 65 °C)

#### Seal Type:

Environmentally sealed, IP67

#### Safe Overload:

150% full scale

#### Rated Excitation:

5 to 20 VDC

#### Nonlinearity:

0.05% full scale

#### Hysteresis:

500 lb: 0.05% full scale  
1,000 to 10,000 lb: 0.02% full scale

#### Insulation Resistance:

5,000 megohm

#### Deflection at Capacity:

500 lb: 0.007 in  
1,000 lb: 0.006 in  
2,000 lb: 0.005 in  
3,000 lb: 0.005 in  
5,000 lb: 0.007 in  
10,000 lb: 0.005 in

#### Cable Length:

35 ft

#### Cable Color Code:

Green +Excitation  
Black -Excitation  
White +Signal  
Red -Signal  
Yellow Shield

#### Warranty:

Three-year limited

#### Approvals:

FM



# VPG Celtron

## TABLE OF CONTENTS

### S-BEAMS

Page 187

#### STC, LOW-CAPACITY, ALLOY STEEL



Ideally suited for batching and filling, conveyor and hopper/tank weighing. Nickel plated, high-alloy steel construction. Capacities range from 50 lb to 200 lb. Complete with 20 ft of load cell cable.



Page 188

#### STC, ALLOY STEEL



Nickel plated, alloy steel construction. Suited for batching, filling and hopper/tank weighing applications. Capacities range from 250 lb to 40,000 lb. Comes with 20 ft of load cell cable.



Page 189

#### STC SS, STAINLESS STEEL



Industrial S-beam in a protective stainless steel construction. Ideal for tension applications. Capacities range from 250 lb to 10,000 lb. Provided with a standard 20 ft of load cell cable.



Page 190

#### STC-HSS, STAINLESS STEEL



Features upgraded protection to the standard environmentally sealed S-beam. Ideal for dry, dirty suspended tank, hopper and mechanical replacement applications. Provides a mid-range solution. Available in capacities ranging from 500 lb to 10,000 lb. Each unit includes 20 ft of standard load cell cable.

### SINGLE-ENDED BEAMS

Page 191

#### SQB, ALLOY STEEL



Single-ended beam designed for low-profile scales and platform, hopper and tank weighing applications. NTEP Certified cells in capacities from 1,000 lb to 10,000 lb. Non-NTEP Certified cells in 500 lb, 15,000 lb and 20,000 lb capacities. Complete with 20 ft of load cell cable.



Page 192

#### SQB-HSS, STAINLESS STEEL



A stainless steel, welded-seal, single-ended beam load cell with exceptional performance and reliability. Suitable for hostile environment applications, such as food and chemical processing. Designed for single or multiple load cell installations and easy adaptation of mounting hardware. Capacities range from 1,000 lb to 10,000 lb. Complete with 20 ft of load cell cable.



Page 193

#### MBB, ALLOY STEEL



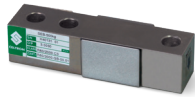
Ultra-small load cell designed for bench, platform, tank and conveyor weighing applications. Nickel plated and environmentally protected with a stainless steel side plate. Capacities range from 50 lb to 250 lb. Complete with 5 ft of load cell cable.



## SINGLE-ENDED BEAMS

**Page 194**

### SEB, ALLOY STEEL



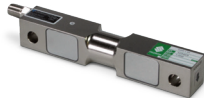
Designed for various scale and process weighing applications, this single-ended beam is manufactured from high-alloy steel and nickel plated to ensure an IP67 rating. OIML approved and metric envelope capacities range from 500 kg to 2.5 t. Comes with 6 m of standard load cell cable.



## DOUBLE-ENDED BEAMS

**Page 195**

### DSR, ALLOY STEEL



Double-ended beam with center loading. Designed for tank, hopper and silo applications. Capacities range from 1,000 lb to 75,000 lb. Complete with 25 ft of load cell cable.



**Page 211960**

### CLB, ALLOY STEEL



An alloy steel, nickel-plated, double-ended beam ideal for applications in truck, track, tank and hopper applications. Center-loaded design and compatible with MVS and TSA mounting assemblies. Available in capacities ranging from 20,000 lb to 125,000 lb. Provided with 35 ft of load cell cable.



## SINGLE POINTS

**Page 197**

### LPS, ALUMINUM



Most suitable for mass production operations. Constructed of anodized aluminum and fully potted IP65 levels, providing excellent protection against moisture ingress. Available in NTEP capacities ranging from 3 kg to 20 kg, and non-NTEP capacities ranging from 10 kg to 100 kg.



**Page 198**

### LOC, ALUMINUM, HEAVY CAPACITY



Low-profile, off-center loading load cell. Designed for direct mounting of a weighing platform and hanging scales. Long-term stability and durability are maintained. Capacities range from 100 kg to 500 kg. Complete with 3 m of load cell cable.



## COMPRESSION CANISTERS

**Page 199**

### LCD, ALLOY STEEL



Environmentally protected, low-profile compression disk. 5,000 lb and 10,000 lb models can also be used in tension-loading applications. The shear web design provides excellent performance and a low-profile feature makes it ideal for applications where height is critical. Capacities range from 5,000 lb to 100,000 lb. Complete with 50 ft of load cell cable.



# STC Low Capacity

Alloy Steel, Environmentally Sealed, IP67



Picture is a representation of actual product.

### Approvals

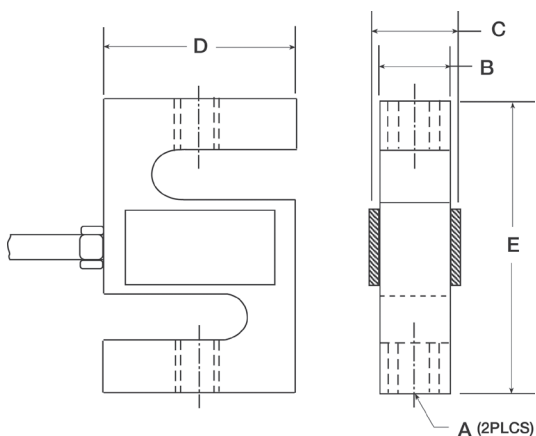


### Order Information

Load Rating	Part #	Est. Weight	Price
50 lb	30044	2 lb	\$210.00
100 lb	30045	2 lb	\$210.00
150 lb	30046	2 lb	\$210.00
200 lb	35787	2 lb	\$210.00

### Dimensions

Rated Capacity	A	B	C	D	E
lb/in					
50 to 200	1/4-28 UNF	0.50	1.05	2.00	2.50



### Interchangeable Products

RICE LAKE WEIGHING SYSTEMS  
**RL20000I**..... page 96

### Weigh Module Available

RICE LAKE WEIGHING SYSTEMS  
**ITCM-Isolated Tension Cell Mount**..... page 38

### Specifications

**Full Scale Output:**  
 3.0 mV/V (50 lb capacity, 2.0 mV/V)

**Output Resistance:**  
 350 (± 3) ohm

**Input Resistance:**  
 385 (± 5) ohm

**Material/Finish:**  
 High-alloy steel, nickel plated

**Temperature:**  
 Operating:  
 0 °F to 150 °F (-18 °C to 65 °C)

**Seal Type:**  
 Environmentally sealed, IP67

**Safe Overload:**  
 150% full scale

**Rated Excitation:**  
 5 to 15 VDC

**Nonlinearity:**  
 0.03% full scale

**Hysteresis:**  
 0.02% full scale

**Insulation Resistance:**  
 5,000 megohm

**Cable Length:**  
 20 ft

**Cable Diameter:**  
 0.200 in  
 Polyurethane jacket

**Cable Color Code:**  
 Red +Excitation  
 Black -Excitation  
 Green +Signal  
 White -Signal

**Warranty:**  
 One-year limited

**Approvals:**  
 cFMus

VPG® CELTRON®

S-BEAM  
**STC**

Alloy Steel, Environmentally Sealed, NTEP Certified 1:5,000 III/1:10,000 IIIL Single Cell, IP67

VPG® CELTRON®



Picture is a representation of actual product

**Approvals**



**Order Information**

Load Rating	Part #	Est. Weight	Price
<b>NTEP Certified</b>			
250 lb	30047	2 lb	\$225.00
500 lb	30051	2 lb	\$225.00
750 lb	30054	2 lb	\$225.00
1,000 lb	30067	2 lb	\$225.00
1,500 lb	30069	2 lb	\$225.00
2,000 lb	30072	3 lb	\$225.00
2,500 lb	30073	3 lb	\$225.00
3,000 lb	30074	3 lb	\$285.00
5,000 lb	30076	3 lb	\$410.00
10,000 lb	30077	5 lb	\$410.00
15,000 lb	30078	9 lb	\$515.00
20,000 lb	30079	17 lb	\$810.00
<b>Non-NTEP Certified</b>			
40,000 lb	46674	39 lb	\$955.00

**Special Load Cells**

Load Rating	Part #	Est. Weight	Price
<b>30 ft Cable Matched Outputs</b>			
3,000 lb	67882	3 lb	\$310.00
5,000 lb	67881	4 lb	\$550.00
20,000 lb	67883	17 lb	\$895.00

**Dimensions**

Rated Capacity	A	B	C	D	E
lb/in					
250	3/8-24 UNF	0.75	0.50	2.00	3.00
500 to 1,500	1/2-20 UNF	1.00	0.75	2.00	3.00
2,000 to 3,000	1/2-20 UNF	1.25	1.00	2.00	3.00
5,000	3/4-16 UNF	1.25	1.00	3.00	4.25
10,000	3/4-16 UNF	1.25	1.00	3.50	4.75
15,000	1-14 UNS	1.50	1.25	4.00	5.50
20,000	1 1/4-12 UNF	2.19	2.00	5.00	7.00
40,000	1 1/2-12 UNF	2.75	2.50	6.00	10.00

**Interchangeable Products**

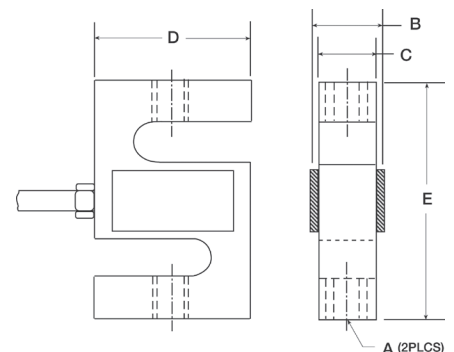
RICE LAKE WEIGHING SYSTEMS  
**RL20001I** ..... page 99  
 VPG® SENSORTRONICS®  
**60001**.....page 275

**Weigh Module Available**

RICE LAKE WEIGHING SYSTEMS  
**ITCM-Isolated Tension Cell Mount**..... page 38

**Specifications**

- Full Scale Output:**  
3.0 mV/V nominal
- Output Resistance:**  
350 (± 3) ohm
- Input Resistance:**  
385 (± 5) ohm
- Material/Finish:**  
High-alloy steel, nickel plated
- Temperature:**  
Compensated:  
14 °F to 104 °F (-10 °C to 40 °C)  
Operating:  
0 °F to 150 °F (-18 °C to 65 °C)
- Seal Type:**  
Environmentally sealed, IP67
- Safe Overload:**  
150% full scale
- Combined Error:**  
0.02% full scale
- Rated Excitation:**  
5 to 15 VDC
- Non-repeatability:**  
0.01% full scale
- Insulation Resistance:**  
5,000 megohm
- Cable Length:**  
20 ft
- Cable Diameter:**  
250 to 20,000 lb: 0.200 in  
40,000 lb: 0.305 in  
Polyurethane jacket
- Cable Color Code:**  
Red +Excitation  
Black -Excitation  
Green +Signal  
White -Signal
- Warranty:**  
One-year limited
- Approvals:**  
cFMus  
NTEP





Picture is a representation of actual product

**Approvals**

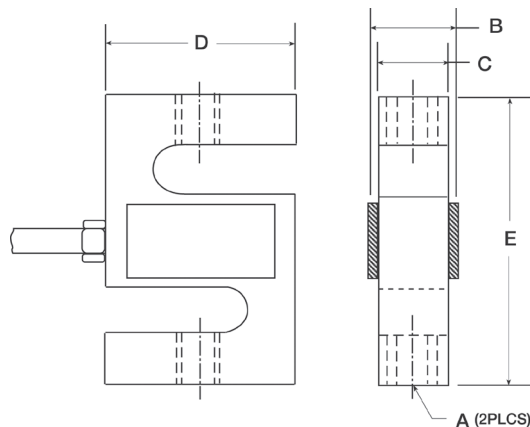


**Order Information**

Load Rating	Part #	Est. Weight	Price
250 lb	46659	2 lb	\$325.00
500 lb	46661	2 lb	\$325.00
750 lb	46662	2 lb	\$325.00
1,000 lb	46663	2 lb	\$325.00
1,500 lb	46664	2 lb	\$325.00
2,000 lb	46665	2 lb	\$325.00
2,500 lb	46666	3 lb	\$350.00
3,000 lb	46667	2 lb	\$350.00
5,000 lb	46668	4 lb	\$485.00
10,000 lb	46669	4 lb	\$495.00

**Dimensions**

Rated Capacity	A	B	C	D	E
lb/in					
250	3/8-24 UNF	0.75	0.50	2.00	3.00
500 to 1,500	1/2-20 UNF	1.00	0.75	2.00	3.00
2,000 to 3,000	1/2-20 UNF	1.25	1.00	2.00	3.00
5,000	3/4-16 UNF	1.25	1.00	3.00	4.25
10,000	3/4-16 UNF	1.25	1.00	3.50	4.25



**Interchangeable Products**

VPG® SENSORTRONICS®  
60050 .....page 276

**Specifications**

- Full Scale Output:**  
3.0 mV/V nominal
- Output Resistance:**  
350 (± 3) ohm
- Input Resistance:**  
385 (± 5) ohm
- Material/Finish:**  
Stainless steel
- Temperature:**  
Operating:  
0 °F to 150 °F (-18 °C to 65 °C)
- Seal Type:**  
Environmentally sealed, IP67
- Safe Overload:**  
150% full scale
- Rated Excitation:**  
5 to 15 VDC
- Nonlinearity:**  
0.03% full scale
- Hysteresis:**  
0.02% full scale
- Insulation Resistance:**  
5,000 megohm
- Cable Length:**  
20 ft
- Cable Diameter:**  
0.200 in  
Polyurethane jacket
- Cable Color Code:**  
Red +Excitation  
Black -Excitation  
Green +Signal  
White -Signal
- Warranty:**  
One-year limited
- Approvals:**  
cFMus



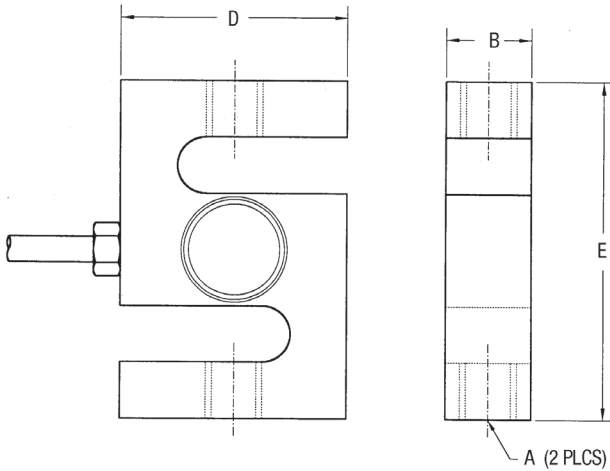
Picture is a representation of actual product

## Order Information

Load Rating	Part #	Est. Weight	Price
500 lb	69326	2 lb	\$493.00
750 lb	69327	2 lb	\$493.00
1,000 lb	69328	2 lb	\$493.00
1,500 lb	69329	2 lb	\$493.00
2,000 lb	69330	2 lb	\$493.00
2,500 lb	69331	2 lb	\$493.00
3,000 lb	69332	2 lb	\$525.00
5,000 lb	69333	4 lb	\$736.00
10,000 lb	69334	4 lb	\$736.00

## Dimensions

Rated Capacity	A	B	D	E
lb/in				
500 to 3,000	1/2-20 UNF	1.00	2.00	2.97
5,000 to 10,000	3/4-16 UNF	1.00	3.00	4.25



## Weigh Module Available

RICE LAKE WEIGHING SYSTEMS  
**ITCM-Isolated  
 Tension Cell Mount..... page 38**

## Specifications

**Full Scale Output:**

2.0 mV/V

**Output Resistance:**

350 (± 3) ohm

**Input Resistance:**

385 (± 5) ohm

**Material/Finish:**

Stainless steel

**Temperature:**

Operating:  
 0 °F to 150 °F (-18 °C to 65 °C)

**Seal Type:**

Welded-seal, IP67

**Safe Overload:**

150% full scale

**Rated Excitation:**

5 to 15 VDC

**Combined Error:**

0.05%

**Insulation Resistance:**

5,000 megohm

**Cable Length:**

20 ft

**Cable Diameter:**

0.200 in  
 Polyurethane jacket

**Cable Color Code:**

Red +Excitation  
 Black -Excitation  
 Green +Signal  
 White -Signal

**Warranty:**

One-year limited





Picture is a representation of actual product

**Approvals**



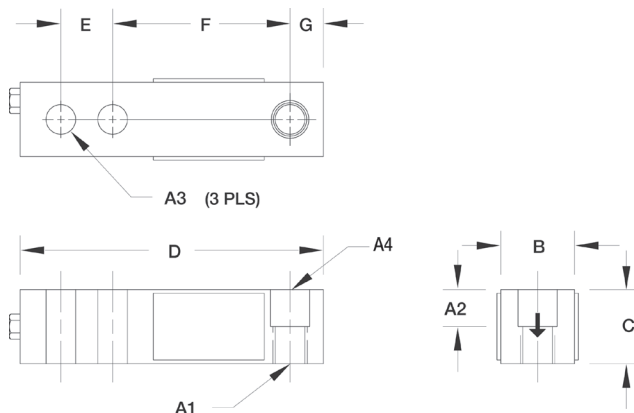
**Order Information**

Load Rating	Part #	Est. Weight	Price
<b>NTEP Certified</b>			
1,000 lb	30106	3 lb	\$215.00
2,000 lb	30109	3 lb	\$215.00
2,500 lb	30112	3 lb	\$215.00
3,000 lb	30113	3 lb	\$215.00
4,000 lb	30270	3 lb	\$215.00
5,000 lb SE	30114	3 lb	\$215.00
5,000 lb LE	30115	5 lb	\$365.00
10,000 lb	30117	5 lb	\$365.00
<b>Non-NTEP Certified</b>			
500 lb	30101	3 lb	\$215.00
15,000 lb	30118	9 lb	\$475.00
20,000 lb	30121	10 lb	\$495.00

SE=small envelope; LE=large envelope

**Dimensions**

Rated Capacity	A4	A2	A3	A1	B	C	D	E	F	G
500 lb/in	0.53 dia	0.50	0.53	1/2-20 UNF	1.25	1.00	5.12	1.00	3.00	0.50
1,000 to 5,000 SE	0.53 dia	0.62	0.53	1/2-20 UNF	1.25	1.25	5.12	1.00	3.00	0.50
5,000 LE to 10,000	0.78 dia	0.75	0.78	3/4-16 UNF	1.50	1.50	6.75	1.50	3.75	0.75
15,000 to 20,000	1.03 dia	1.00	1.03	1-14 UNS	2.00	2.00	8.88	2.00	4.88	1.00



**Interchangeable Products**

VPG® SENSORTRONICS®  
**65023A**..... page 281

**Weigh Module Available**

RICE LAKE WEIGHING SYSTEMS  
**RL50210TA**..... page 41  
 RICE LAKE WEIGHING SYSTEMS  
**RL1800 Series**..... page 52

**Specifications**

- Full Scale Output:**  
3.0 mV/V
- Output Resistance:**  
350 (± 3) ohm
- Input Resistance:**  
385 (± 5) ohm
- Material/Finish:**  
High-alloy steel, nickel plated
- Temperature:**  
Compensated:  
14 °F to 104 °F (-10 °C to 40 °C)  
Operating:  
0 °F to 150 °F (-18 °C to 65 °C)
- Seal Type:**  
Environmentally sealed, IP67
- Safe Overload:**  
150% full scale
- Safe Sideload:**  
100% full scale
- Rated Excitation:**  
5 to 15 VDC
- Combined Error:**  
0.02% full scale
- Insulation Resistance:**  
5,000 megohm
- Deflection at Capacity:**  
500 to 1,000 lb: 0.013 in  
2,000 to 3,000 lb: 0.015 in  
4,000 to 5,000 lb: 0.025 in  
10,000 lb: 0.035 in
- Cable Length:**  
20 ft
- Cable Diameter:**  
0.200 in  
Polyurethane jacket
- Cable Color Code:**  
Red +Excitation  
Black -Excitation  
Green +Signal  
White -Signal
- Warranty:**  
One-year limited
- Approvals:**  
cFMus  
NTEP

# SQB-HSS

Stainless Steel, Welded Seal, NTEP Certified 1:5,000 Class III Multiple Cell, IP67



Picture is a representation of actual product

### Approvals



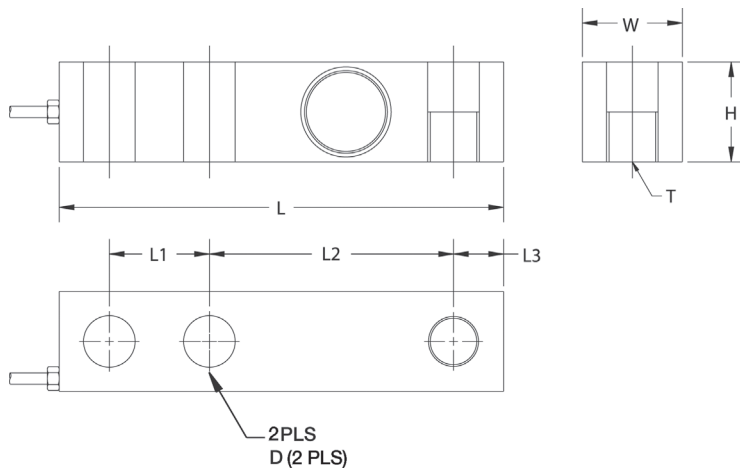
### Order Information

Load Rating	Part #	Est. Weight	Price
1,000 lb	67118	3 lb	\$344.00
2,000 lb	67119	3 lb	\$344.00
2,500 lb	67120	3 lb	\$344.00
3,000 lb	67121	3 lb	\$344.00
4,000 lb	67122	3 lb	\$344.00
5,000 lb SE	67123	3 lb	\$344.00
5,000 lb LE	67124	5 lb	\$450.00
10,000 lb	67125	5 lb	\$450.00

SE=small envelope; LE=large envelope

### Dimensions

Rated Capacity	L	L1	L2	L3	W	H	D	T
lb/in								
1,000 to 5,000 SE	5.12	1.00	3.00	0.50	1.25	1.25	0.53	1/2-20 UNF
5,000 LE to 10,000	6.75	1.50	3.75	0.75	1.50	1.50	0.78	3/4-16 UNF



### Interchangeable Products

VPG® SENSORTRONICS®  
**65083**..... page 284

### Weigh Module Available

RICE LAKE WEIGHING SYSTEMS  
**RL1800 Series**..... page 52

### Specifications

- Full Scale Output:**  
3.0 mV/V
- Output Resistance:**  
350 (± 3) ohm
- Input Resistance:**  
385 (± 5) ohm
- Material/Finish:**  
Stainless steel
- Temperature:**  
Compensated:  
14 °F to 104 °F (-10 °C to 40 °C)  
Operating:  
0 °F to 150 °F (-18 °C to 65 °C)
- Seal Type:**  
Welded-seal, IP67
- Safe Overload:**  
150% full scale
- Safe Sideload:**  
100% full scale
- Rated Excitation:**  
5 to 15 VDC
- Combined Error:**  
0.02 full scale
- Insulation Resistance:**  
5,000 megohm
- Cable Length:**  
20 ft
- Cable Diameter:**  
0.200 in  
Polyurethane jacket
- Cable Color Code:**  
Red +Excitation  
Black -Excitation  
Green +Signal  
White -Signal
- Warranty:**  
One-year limited
- Approvals:**  
cFMus  
NTEP



Picture is a representation of actual product

### Approvals

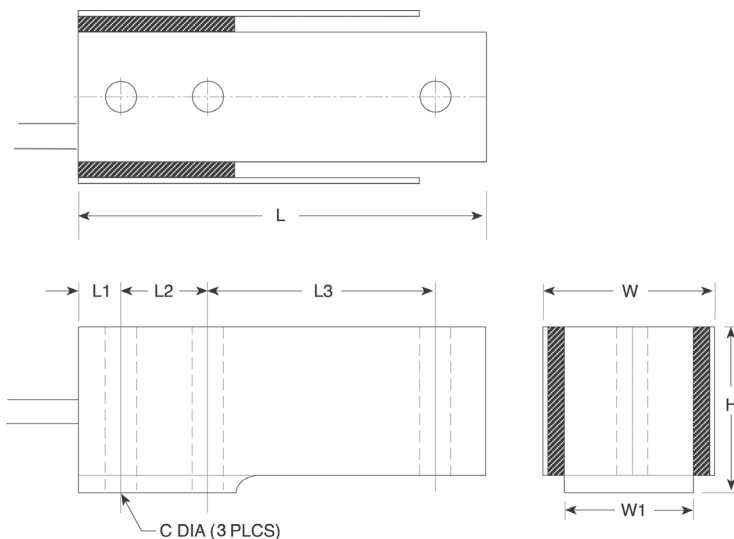


### Order Information

Load Rating	Part #	Est. Weight	Price
50 lb	30130	2 lb	\$205.00
100 lb	30131	2 lb	\$205.00
150 lb	30132	2 lb	\$205.00
250 lb	35786	2 lb	\$205.00

### Dimensions

Rated Capacity	C	W	W1	H	L	L1	L2	L3
50 to 150	0.17	0.75	0.50	0.98	2.38	0.25	0.50	1.33
250	0.17	1.00	0.75	0.98	2.38	0.25	0.50	1.33



### Interchangeable Products

INTERFACE®  
MB

### Specifications

**Full Scale Output:**

3.0 mV/V

**Output Resistance:**

350 (± 3) ohm

**Input Resistance:**

385 (± 5) ohm

**Material/Finish:**

High-alloy steel, nickel plated

**Temperature:**

Operating:  
0 °F to 150 °F (-18 °C to 65 °C)

**Seal Type:**

Environmentally sealed, IP65

**Safe Overload:**

150% full scale

**Rated Excitation:**

5 to 15 VDC

**Nonlinearity:**

0.03% full scale

**Hysteresis:**

0.02% full scale

**Insulation Resistance:**

5,000 megohm

**Cable Length:**

5 ft

**Cable Color Code:**

Red +Excitation  
Black -Excitation  
Green +Signal  
White -Signal

**Warranty:**

One-year limited

**Approvals:**

cFMus

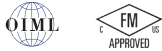
# SEB

Alloy Steel, Environmentally Sealed, OIML C3, IP67



Picture is a representation of actual product

### Approvals

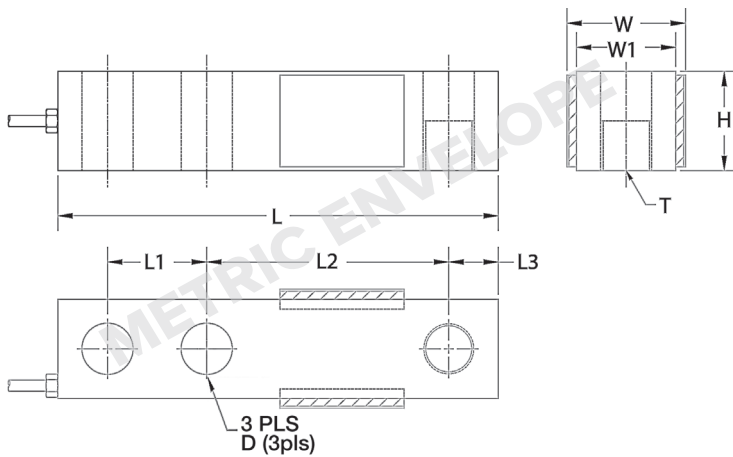


### Order Information

Load Rating	Part #	Est. Weight	Price
500 kg	69315	3 lb	\$228.00
1 t	69316	3 lb	\$228.00
2 t	69318	3 lb	\$228.00
2.5 t	69319	3 lb	\$228.00

### Dimensions

Rated Capacity	L	L1	L2	L3	W	W1	H	D	T
kg-t/mm									
500 to 2.5	130.0	25.4	76.2	12.7	38.1	31.8	31.8	13.5	M12 × 1.75



### Specifications

- Full Scale Output:**  
3.0 mV/V
- Output Resistance:**  
350 (± 3) ohm
- Input Resistance:**  
385 (± 5) ohm
- Material/Finish:**  
High-alloy steel, nickel plated
- Temperature:**  
Compensated:  
14 °F to 104 °F (-10 °C to 40 °C)  
Operating:  
0 °F to 150 °F (-18 °C to 65 °C)
- Seal Type:**  
Environmentally sealed, IP67
- Safe Overload:**  
150% full scale
- Safe Sideload:**  
100% full scale
- Rated Excitation:**  
5 to 15 VDC
- Combined Error:**  
0.025%
- Insulation Resistance:**  
5,000 megohm
- Cable Length:**  
6 m
- Cable Diameter:**  
0.200 in  
Polyurethane jacket
- Cable Color Code:**  
Red +Excitation  
Black -Excitation  
Green +Signal  
White -Signal
- Warranty:**  
One-year limited
- Approvals:**  
cFMus  
OIML



Picture is a representation of actual product

**Approvals**



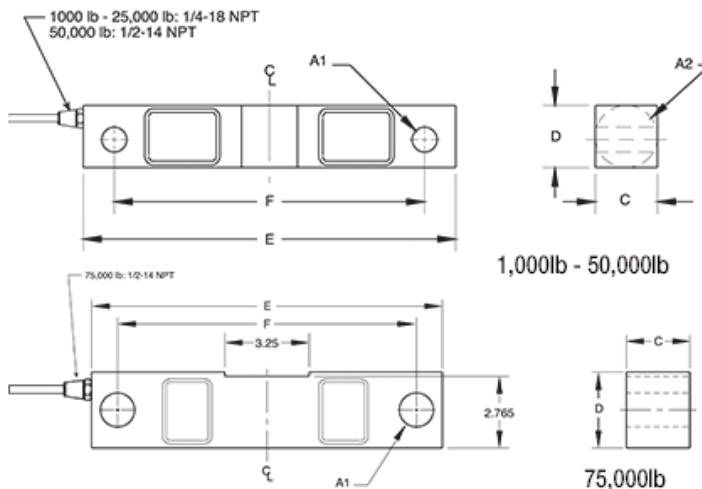
**Order Information**

Load Rating	Part #	Est. Weight	Price
1,000 lb	30080	4 lb	\$525.00
1,500 lb	30081	4 lb	\$525.00
2,000 lb	30088	4 lb	\$525.00
2,500 lb	30089	4 lb	\$525.00
3,000 lb	30091	4 lb	\$525.00
5,000 lb	30094	4 lb	\$525.00
10,000 lb	30095	7 lb	\$610.00
15,000 lb	30096	7 lb	\$610.00
20,000 lb	30097	7 lb	\$610.00
25,000 lb	30098	7 lb	\$610.00
50,000 lb	30099	25 lb	\$875.00
75,000 lb*	30100	25 lb	\$875.00

\*75,000 lb capacity has a square center

**Dimensions**

Rated Capacity	A1	A2	C	D	E	F
1,000 to 5,000	0.50	1.25	1.25	1.25	7.50	6.25
10,000 to 25,000	0.81	1.99	1.44	1.94	8.75	7.50
50,000	1.31	3.00	2.44	2.94	13.50	11.50
75,000	1.31	—	2.44	2.94	13.50	11.50



**Interchangeable Products**

- RICE LAKE WEIGHING SYSTEMS  
**RL75016** ..... page 133
- RICE LAKE WEIGHING SYSTEMS  
**RL75016WHE**..... page 137
- VPG® SENSORTRONICS®  
**65016**..... page 290
- VPG® REVERE  
**5203**

**Weigh Module Available**

- RICE LAKE WEIGHING SYSTEMS  
**RL1600 Series** .page 70 and page 71

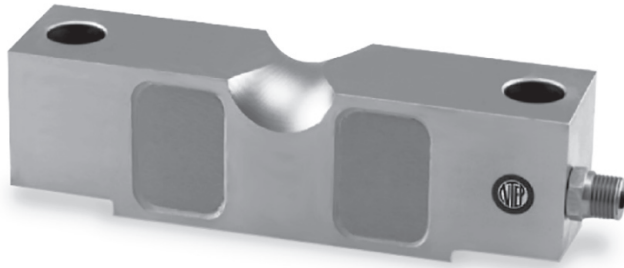
**Specifications**

- Full Scale Output:**  
3.0 mV/V
- Output Resistance:**  
700 (± 5) ohm
- Input Resistance:**  
770 (± 10) ohm
- Material/Finish:**  
High-alloy steel, nickel plated
- Temperature:**  
Operating:  
0 °F to 150 °F (-18 °C to 65 °C)
- Seal Type:**  
Environmentally sealed, IP67
- Safe Overload:**  
150% full scale
- Safe Sideload:**  
100% full scale
- Rated Excitation:**  
5 to 15 VDC
- Nonlinearity:**  
0.03% full scale
- Hysteresis:**  
0.02% full scale
- Insulation Resistance:**  
5,000 megohm
- Deflection at Capacity:**  
1,000 to 3,000 lb: 0.01 in  
5,000 lb: 0.015 in  
10,000 to 20,000 lb: 0.022 in  
25,000 lb: 0.036 in  
50,000 lb: 0.052 in  
75,000 lb: 0.07 in
- Cable Length:**  
25 ft
- Cable Diameter:**  
1,000 to 25,000 lb: 0.200 in  
50,000 to 75,000 lb: 0.305 in  
Polyurethane jacket
- Cable Color Code:**  
Red +Excitation  
Black -Excitation  
Green +Signal  
White -Signal
- Warranty:**  
One-year limited
- Approvals:**  
cFMus

# CLB

Alloy Steel, Environmentally Sealed, NTEP Certified 1:10,000 Class IIIIL Multiple Cell, IP67

VPG® CELTRON®



Picture is a representation of actual product

**Approvals**

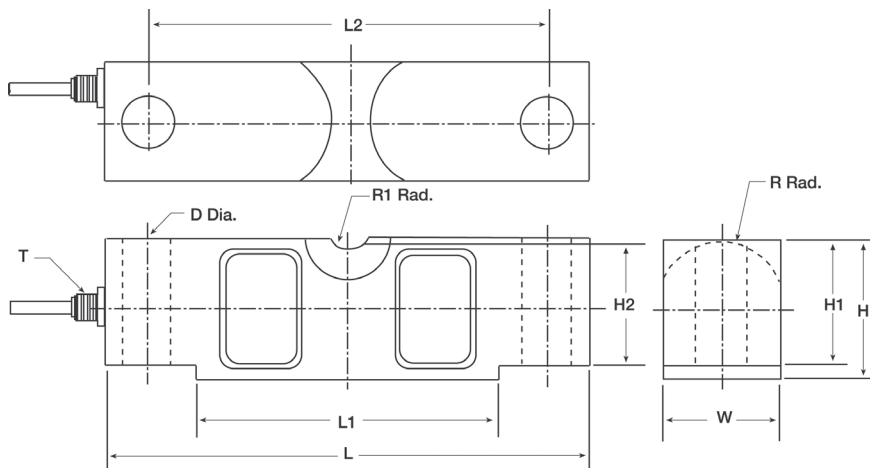


**Order Information**

Load Rating	Part #	Est. Weight	Price
20,000 lb	46675	8 lb	\$646.00
25,000 lb	46676	8 lb	\$662.00
40,000 lb	46677	13 lb	\$790.00
50,000 lb	46678	19 lb	\$858.00
60,000 lb	46679	19 lb	\$858.00
75,000 lb	46680	19 lb	\$858.00
125,000 lb	46682	40 lb	\$1,563.00

**Dimensions**

Rated Capacity	L	L1	L2	W	H	H1	H2	D	R	R1	T
lb/in											
20,000 to 25,000	7.75	4.99	6.50	1.69	1.94	1.70	1.63	0.68	0.90	0.75	1/4-18 NPT
40,000	10.25	6.39	8.50	1.94	2.44	2.10	2.00	0.81	1.12	1.00	1/4-18 NPT
50,000 to 75,000	10.25	6.39	8.50	2.44	2.94	2.65	2.54	1.06	1.37	1.00	1/2-14 NPT
125,000	15.25	8.99	12.75	2.90	3.86	2.43	3.30	1.62	1.80	1.50	1/2-14 NPT



**Interchangeable Products**

RICE LAKE WEIGHING SYSTEMS  
**RL75058I**..... page 138  
 VPG® SENSORTRONICS®  
**65058A**..... page 293

**Weigh Module Available**

RICE LAKE WEIGHING SYSTEMS  
**MVS**..... page 77

**Specifications**

- Full Scale Output:**  
3.0 mV/V
- Output Resistance:**  
700 (± 5) ohm
- Input Resistance:**  
770 (± 10) ohm
- Material/Finish:**  
High-alloy steel, nickel plated
- Temperature:**  
Compensated:  
14 °F to 104 °F (-10 °C to 40 °C)  
Operating:  
0 °F to 150 °F (-18 °C to 65 °C)
- Seal Type:**  
Environmentally sealed, IP67
- Safe Overload:**  
150% full scale
- Safe Sideload:**  
100% full scale
- Rated Excitation:**  
5 to 15 VDC
- Combined Error:**  
0.025%
- Insulation Resistance:**  
5,000 megohm
- Cable Length:**  
25 ft
- Cable Diameter:**  
20,000 to 25,000 lb: 0.200 in  
40,000 to 125,000 lb: 0.305 in  
Polyurethane jacket
- Cable Color Code:**  
Red +Excitation  
Black -Excitation  
Green +Signal  
White -Signal
- Warranty:**  
One-year limited
- Approvals:**  
cFMus  
NTEP



Picture is a representation of actual product

**Approvals**

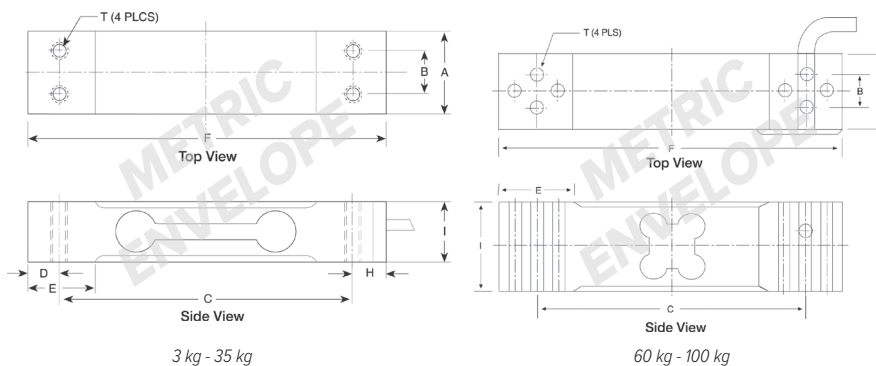


**Order Information**

Load Rating	Part #	Est. Weight	Price
<b>NTEP Certified</b>			
3 kg	41822	1 lb	\$138.00
6 kg	41823	1 lb	\$138.00
10 kg	41824	1 lb	\$138.00
15 kg	41825	1 lb	\$138.00
20 kg	41826	1 lb	\$138.00
<b>Non-NTEP Certified</b>			
10 kg	30145	1 lb	\$127.00
15 kg	30146	1 lb	\$127.00
20 kg	30147	1 lb	\$127.00
30 kg	46502	1 lb	\$127.00
35 kg	30148	1 lb	\$127.00
60 kg	41149	2 lb	\$127.00
100 kg	41150	2 lb	\$127.00

**Dimensions**

Rated Capacity	A	B	C	D	E	F	H	I	T
kg/mm									
3	15.0	7.0	58.0	6.0	12.0	70.0	6.0	22.0	M3 × 0.5
6 to 20	30.0	15.0	106.0	12.0	25.0	130.0	12.0	22.0	M6 × 1.0
30 to 35	40.0	15.0	106.0	12.0	25.0	130.0	12.0	22.0	M6 × 1.0
60 to 100	35.0	15.0	117.0	-	-	150.0	-	40.0	M6 × 1.0



**Interchangeable Products**

- RICE LAKE WEIGHING SYSTEMS
- RL1521A**.....page 158
- VPG® TEDEA-HUNTLEIGH®
- 1022** .....page 310
- VPG® BLH
- C2G1**
- NMB®
- C2G1**

**Specifications**

- Full Scale Output:**  
2.0 mV/V
- Output Resistance:**  
350 (± 3) ohm
- Input Resistance:**  
410 (± 15) ohm
- Material/Finish:**  
Aluminum
- Temperature:**  
Compensated:  
14 °F to 104 °F (-10 °C to 40 °C)  
Operating:  
0 °F to 150 °F (-18 °C to 65 °C)
- Seal Type:**  
Environmentally sealed, IP65
- Safe Overload:**  
150% full scale
- Rated Excitation:**  
5 to 15 VDC
- Combined Error:**  
0.25% full scale
- Non-repeatability:**  
0.02%
- Insulation Resistance:**  
5,000 megohm
- Cable Length:**  
3 to 35 kg: 16.5 in  
60 kg: 14 in  
100 kg: 6.5 ft
- Cable Diameter:**  
0.14 in  
PVC jacket
- Cable Color Code:**  
Red +Excitation  
Black -Excitation  
Green +Signal  
White -Signal
- Max Platform Size:**  
13.75 × 13.75 in
- Warranty:**  
One-year limited
- Approvals:**  
cFMus  
NTEP

VPG® CELTRON®

# LOC Heavy Capacity

Aluminum, Environmentally Sealed, NTEP Certified 1:5,000 Class III Single Cell, IP65

VPG® CELTRON®



Picture is a representation of actual product

### Approvals

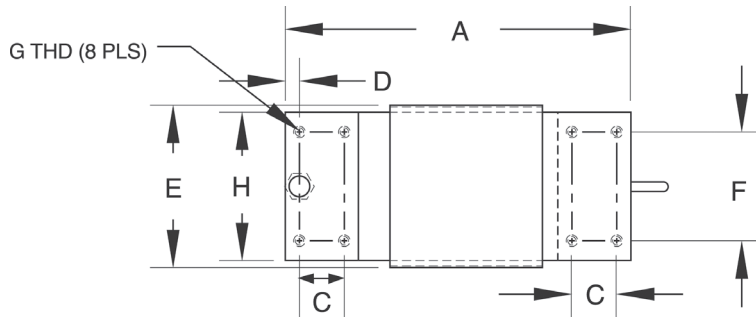


### Order Information

Load Rating	Part #	Est. Weight	Price
100 kg	39797	7 lb	\$313.00
150 kg	39796	7 lb	\$313.00
250 kg	39795	7 lb	\$313.00
300 kg	39794	7 lb	\$313.00
500 kg	39793	7 lb	\$313.00

### Dimensions

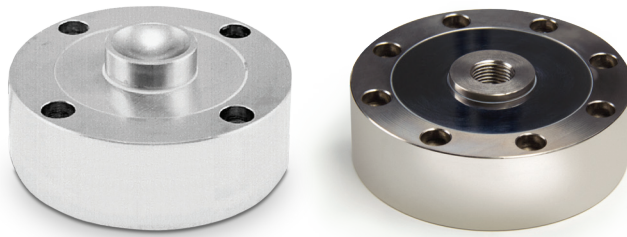
Rated Capacity	A	C	D	E	F	G	H
kg/mm							
100 to 500	191.0	25.0	11.0	82.0	60.0	5/16-18 UNC × 20 DP	75.0



### Specifications

- Full Scale Output:**  
2.0 mV/V
- Output Resistance:**  
350 (± 3) ohm
- Input Resistance:**  
410 (± 10) ohm
- Material/Finish:**  
Aluminum
- Temperature:**  
Compensated:  
14 °F to 104 °F (-10 °C to 40 °C)  
Operating:  
0 °F to 150 °F (-18 °C to 65 °C)
- Seal Type:**  
Environmentally sealed, IP65
- Safe Overload:**  
150% full scale
- Rated Excitation:**  
5 to 15 VDC
- Combined Error:**  
0.025% full scale
- Non-repeatability:**  
0.02%
- Insulation Resistance:**  
5,000 megohm
- Cable Length:**  
3 m
- Cable Diameter:**  
0.200 in PVC jacket
- Cable Color Code:**  
Red +Excitation  
Black -Excitation  
Green +Signal  
White -Signal
- Max Platform Size:**  
24 × 24 in
- Warranty:**  
One-year limited
- Approvals:**  
cFMus  
NTEP





25,000 lb to 100,000 lb

5,000 lb to 10,000 lb

Picture is a representation of actual product

**Approvals**



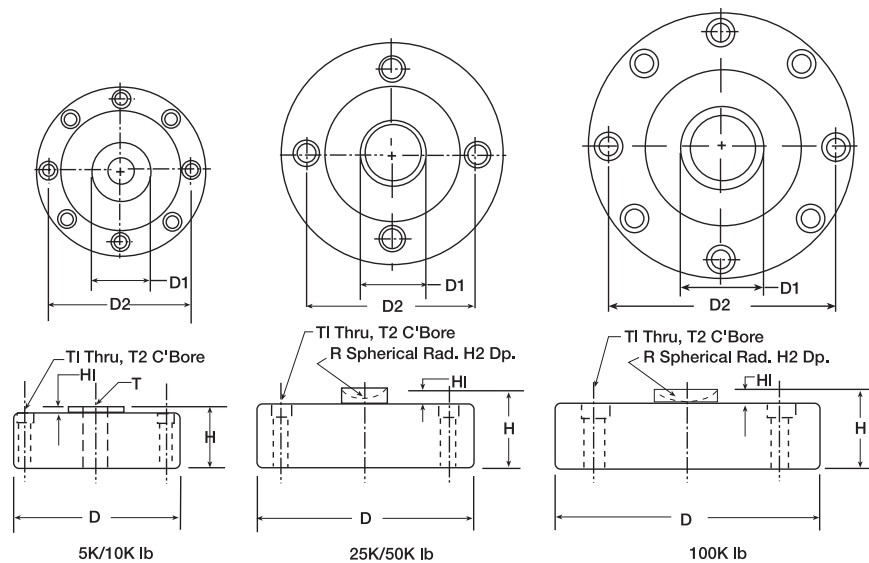
**Order Information**

Load Rating	Part #	Est. Weight	Price
5,000 lb*	<b>41966</b>	6 lb	\$636.00
10,000 lb*	<b>41967</b>	6 lb	\$636.00
25,000 lb	<b>41968</b>	9 lb	\$822.00
50,000 lb	<b>41969</b>	9 lb	\$822.00
100,000 lb	<b>41970</b>	12 lb	\$975.00
Options			
Ball 1.25 in diameter	<b>65841</b>	1 lb	\$37.00
Load cup**	<b>33616</b>	1 lb	\$37.00

\* 5,000lb and 10,000lb models can be used in compression and tension load applications  
 \*\* Load cup, PN 33616, is required for compression applications on 5,000lb and 10,000lb capacity load cells and is sold separately

**Dimensions**

Rated Capacity	T	R	D	D2	H	H1	H2	T1	T2
5,000 to 10,000	5/8-18 UNF	—	4.12	3.50	1.37	0.12	—	0.28	0.406 × 0.283 DP
25,000 to 50,000	—	0.875	4.75	4.00	2.12	0.50	0.31	0.34	0.508 × 0.38 DP
100,000	—	0.875	5.43	4.60	2.25	0.25	0.31	0.41	0.626 × 0.4 DP



**Interchangeable Products**

RICE LAKE WEIGHING SYSTEMS  
**RL90000** .....page 151

**Specifications**

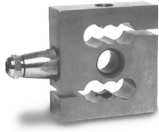
- Full Scale Output:**  
4.0 mV/V
- Output Resistance:**  
5,000 to 50,000 lb: 350 (± 3) ohm  
100,000 lb: 700 (± 5) ohm
- Input Resistance:**  
5,000 to 50,000 lb: 385 (± 5) ohm  
100,000 lb: 770 (± 70) ohm
- Material/Finish:**  
High-alloy steel, nickel plated
- Temperature:**  
Operating:  
0 °F to 150 °F (-18 °C to 65 °C)
- Seal Type:**  
Environmentally sealed, IP67
- Safe Overload:**  
150% full scale
- Rated Excitation:**  
15 VDC
- Nonlinearity:**  
0.05% full scale
- Hysteresis:**  
0.02% full scale
- Insulation Resistance:**  
2,000 megohm
- Cable Length:**  
50 ft
- Cable Diameter:**  
5,000 to 25,000 lb: 0.200 in  
50,000 to 100,000 lb: 0.305 in  
Polyurethane jacket
- Cable Color Code:**  
Red +Excitation  
Black -Excitation  
Green +Signal  
White -Signal
- Warranty:**  
One-year limited
- Approvals:**  
cFMus



S-BEAMS

Page 204

**UB1, STAINLESS STEEL**



Designed for single or multiple-cell tension load applications, these stainless steel S-beams feature voltage factory calibration, assuring matched outputs for easy calibration in multiple-cell applications. Features hermetic sealing of the strain gauge area and cable entry, providing the ultimate in protection from outside elements. 20 ft of cable is included to simplify cable and load cell repairs. Capacities range from 10 kN to 50 kN.



Page 205

**UB6, STAINLESS STEEL**



Stainless steel S-beam designed to meet the most stringent accuracy requirements. 20 ft of field-replaceable cable is included to simplify cable and load cell repairs. Capacities range from 1 kN to 5 kN.



SINGLE-ENDED BEAMS

Page 206

**SLB, STAINLESS STEEL**



This stainless steel, single-ended beam has one of the highest NTEP Certified ratings in the industry. A new generation of potting makes this load cell suitable for tough industrial environments. Capacities range from 200 lb to 5,000 lb. Complete with 10 ft of load cell cable.



Page 207

**SB4, STAINLESS STEEL**



Designed for multiple-cell applications, such as floor scales and hoppers, these stainless steel, single-ended beams are used exclusively in Rice Lake Weighing Systems' Paramounts® HS mounting systems. mV/V/ohm calibration assures matched outputs for easy calibration. Features true hermetic sealing of both the strain gauge area and cable entry, providing protection from outside elements. Includes field-replaceable load cell cable to simplify cable and load cell repairs. Available in both NTEP Certified and Non-NTEP Certified ranges 5 kN to 100 kN.



Page 208

**SB5, STAINLESS STEEL**



Made for multiple-cell applications, such as floor scales and tank, bin and hopper weighing systems. Used exclusively in Rice Lake Weighing Systems' Paramounts® EP mounting systems. mV/V/ohm calibration assures matched outputs for easy calibration. Available in both NTEP Certified and Non-NTEP Certified ranges 5 kN to 100 kN.



Page 209

**BK2, STAINLESS STEEL**



Designed to lower the scale profile by providing a load cell that is half the overall height of traditional solutions. Ideal for applications such as low-profile floor scales, this model is constructed of stainless steel and is environmentally protected for indoor applications. mV/V/ohm calibration assures matched outputs for easy calibration. Available in capacities from 200 kg to 2,000 kg and includes 10 ft of standard load cell cable.



Page 210

**SB6, STAINLESS STEEL**



Stainless steel, hermetically sealed single-ended beam with special loading hole provides excellent performance in the harshest environments with a low-profile design. Capacities range from 0.2 kN to 2 kN. Complete with 10 ft of load cell cable.



## SINGLE-ENDED BEAMS

Page 211

### SB14, STAINLESS STEEL



Stainless steel, fully hermetically sealed, single-ended beam suitable for the harshest environments. Capacities range from 500 lb to 5,000 lb. Complete with 10 ft of load cell cable.



## ROCKER COLUMNS

Page 212

### RC1, STAINLESS STEEL



Offers stainless steel and hermetic sealing, making these cells suitable for use in tough industrial environments. Capacities are 25 t, 40 t and 50,000 lb. Cable lengths of 15 ft, 35 ft and 60 ft for easy field replacement and load cell repairs.



Page 213

### RC3, STAINLESS STEEL



Rocker designed and provides superior performance and full hermetic design in applications in moist and high humidity environments. Constructed of stainless steel. Available in capacities from 7.5 t to 50 t.



## SINGLE POINTS

Page 214

### PCB, STAINLESS STEEL



A unique "brick" style of load cell. Constructed of stainless steel and hermetically sealed, this unique design provides superior protection in applications where moisture and high humidity are problems. This model features both a welded gauge cavity area, and waterproof cable entry for long-lasting performance. Provides an upgrade from aluminum to stainless steel. Available in capacities from 50 kg to 1,000 kg. Each unit includes 10 ft of load cell cable.



Page 215

### PC1, STAINLESS STEEL



With an environmentally protected seal and stainless steel construction, these load cells are suitable for use in tough industrial environments. Capacities range from 10 kg to 200 kg.



## SINGLE POINTS

Page 216

### PC3, STAINLESS STEEL

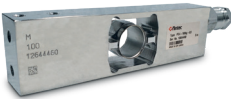


A stainless steel, single point load cell. Has an IP67 rating and is environmentally sealed, making it ideal for harsh environments. Capacities range from 7 kg to 150 kg. Complete with 10 ft of load cell cable.



Page 217

### PC4, STAINLESS STEEL

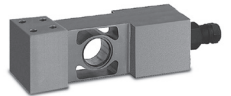


Hermetic load cell that is ideal for adverse conditions. Made of stainless steel with a single point design. NTEP Certified and OIML approved capacities range from 10 kg to 100 kg. Complete with 10 ft of cable.



Page 218

### PC6, STAINLESS STEEL



Constructed of stainless steel utilizing hermetic sealing, these load cells are suitable for tough industrial environments. Includes 3 m of field-replaceable load cell cable to simplify cable and load cell repairs. Capacities range from 20 kg to 200 kg.



Page 232193

### PC7, STAINLESS STEEL



Ideal for washdown applications. Hermetically sealed to IP69K standards, this stainless steel component comes with 3 m of cable and an integrated mounting spacer for easy installation. Available in capacities ranging from 100 kg to 500 kg.



Page 220

### PC2, STAINLESS STEEL



This high-accuracy stainless steel, single-point load cell is an ideal replacement cell for hopper applications with damaged bellows. This cell also features complete hermetic sealing for use in the toughest environments. This product is offered at 150 kg and comes complete with 10 ft of load cell cable.



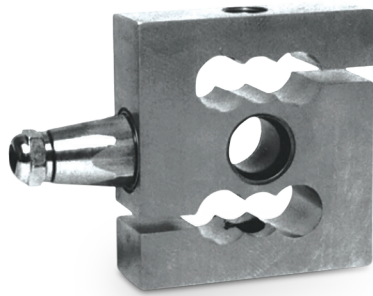
## PLANAR BEAM

Page 221

### PB, ALUMINUM

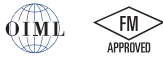


An inexpensive alternative planar beam used in low profile, light capacity applications. The compact size and mV/V per ohm calibration simplifies installation. Capacities range from 15 kg to 150 kg and includes 1.5 m of load cell cable.



Picture is a representation of actual product.

### Approvals



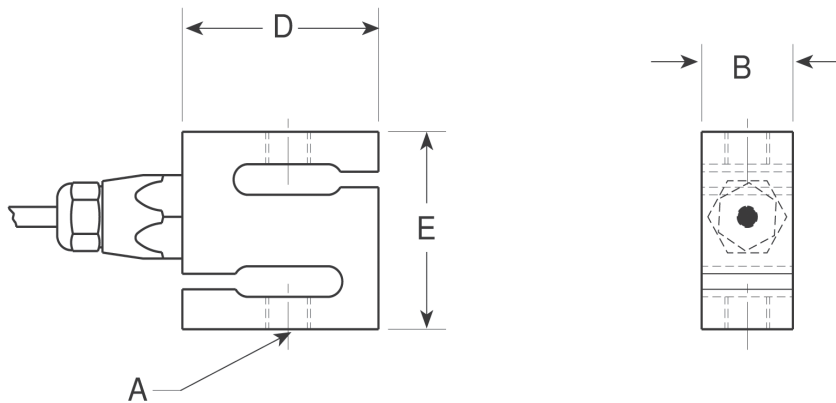
### Order Information

Load Rating	Part #	Est. Weight	Price
10 kN	17073	4 lb	\$747.00
20 kN	17074	4 lb	\$747.00
50 kN	17075	13 lb	\$747.00
Options			
Conduit adapter, 1/2-14 NPT	17703	1 lb	\$50.00

### Dimensions

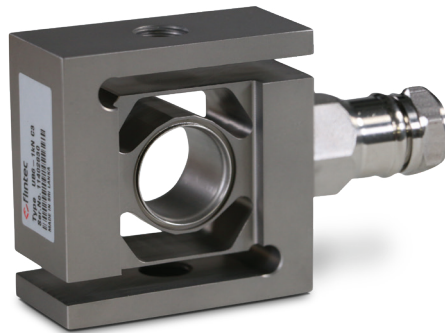
Rated Capacity	A*	B	D	E
kN/in				
10 to 20	5/8-18 UNF	1.18	3.38	3.62
50	1-12 UNF	1.69	5.62	5.37

\*Also available with metric threads



### Specifications

- Full Scale Output:**  
2.0 mV/V  
mV/V/ohm calibration
- Output Resistance:**  
1,000 (± 2) ohm
- Input Resistance:**  
1,100 (± 50) ohm
- Material/Finish:**  
Stainless steel
- Temperature:**  
Operating:  
0 °F to 150 °F (-18 °C to 65 °C)
- Seal Type:**  
Hermetically sealed, IP69K
- Safe Overload:**  
200% full scale
- Rated Excitation:**  
5 to 15 VDC
- Nonlinearity:**  
0 to -0.03% full scale
- Hysteresis:**  
0 to +0.05% full scale
- Combined Error:**  
± 0.03%
- Insulation Resistance:**  
10,000 megohm
- Cable Length:**  
20 ft
- Cable Diameter:**  
0.196 in  
Polyurethane jacket
- Cable Color Code:**  
Green +Excitation  
Black -Excitation  
White +Signal  
Red -Signal  
Yellow Shield
- Warranty:**  
One-year limited
- Approvals:**  
FM  
OIML



Picture is a representation of actual product.

**Approvals**



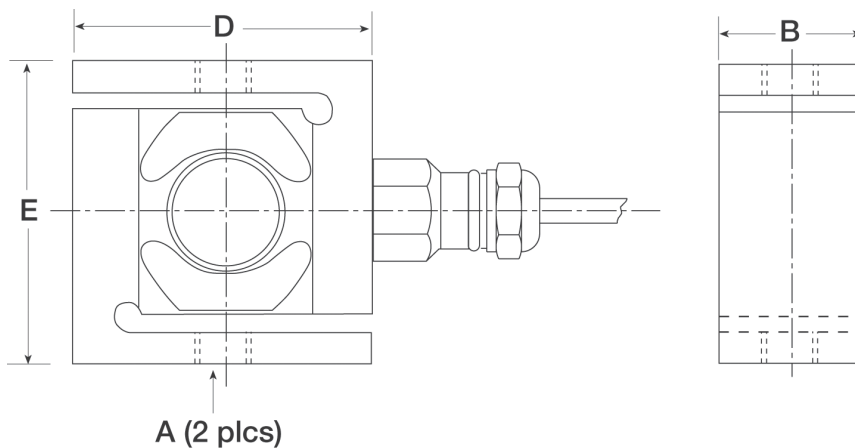
**Order Information**

Load Rating	Part #	Est. Weight	Price
1 kN	36214	3lb	\$640.00
2 kN	36215	3lb	\$640.00
5 kN	36216	3lb	\$640.00

**Dimensions**

Rated Capacity kN/in	A*	B	D	E
1 to 5	1/2-20 UNF	1.20	2.42	2.42

\*Also available with metric threads



**Specifications**

- Full Scale Output:**  
2.0 mV/V  
mV/V/ohm calibration
- Output Resistance:**  
1,000 (± 2) ohm
- Input Resistance:**  
1,100 (± 50) ohm
- Material/Finish:**  
Stainless steel
- Temperature:**  
Operating:  
0 °F to 150 °F (-18 °C to 65 °C)
- Seal Type:**  
Hermetically sealed, IP69K
- Safe Overload:**  
200% full scale
- Rated Excitation:**  
5 to 15 VDC
- Combined Error:**  
0.02% full scale
- Insulation Resistance:**  
5,000 megohm
- Cable Length:**  
20 ft
- Cable Diameter:**  
0.196 in  
Polyurethane jacket
- Cable Color Code:**  
Green +Excitation  
Black -Excitation  
White +Signal  
Red -Signal  
Yellow Shield
- Warranty:**  
One-year limited
- Approvals:**  
FM  
OIML



# SLB

Stainless Steel, Environmentally Sealed, NTEP Certified 1:4,000 Class III Single Cell/1:7,500 Class III Multiple Cell, OIML C3, IP67



Picture is a representation of actual product.

### Approvals

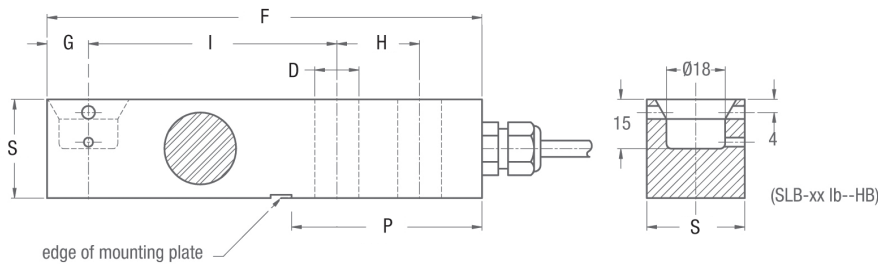


### Order Information: Blind Hole

Load Rating	Part#	Est. Weight	Price
200 lb	77422	3 lb	\$350.00
500 lb	77423	3 lb	\$350.00
1,000 lb	68527	3 lb	\$350.00
2,500 lb	68528	3 lb	\$350.00
5,000 lb	68529	3 lb	\$350.00

### Dimensions

Rated Capacity	D	F	G	H	I	P	S
200 to 5,000 lb/in	0.51	5.37	0.50	1.00	3.00	2.42	1.19



### Interchangeable Products

FAIRBANKS®\*  
**LCF-HR4050-3**

\*Stainless overbraid cable

### Specifications

**Full Scale Output:**

2.0 mV/V  
mV/V/ohm calibration

**Output Resistance:**

1,000 (± 2) ohm

**Input Resistance:**

1,100 (± 50) ohm

**Material/Finish:**

Stainless steel

**Temperature:**

Compensated:  
14 °F to 104 °F (-10 °C to 40 °C)  
Operating:  
0 °F to 150 °F (-18 °C to 65 °C)

**Seal Type:**

Environmentally sealed, IP67

**Combined Error:**

0.01% full scale

**Safe Overload:**

200% full scale

**Safe Sideload:**

100% full scale

**Rated Excitation:**

5 to 15 VDC

**Insulation Resistance:**

5,000 megohm

**Cable Length:**

10 ft

**Cable Diameter:**

0.196 in  
Polyurethane jacket

**Cable Color Code:**

Green +Excitation  
Black -Excitation  
White +Signal  
Red -Signal  
Yellow Shield

**Warranty:**

One-year limited

**Approvals:**

FM  
NTEP  
OIML





Picture is a representation of actual product.

**Approvals**



**Order Information**

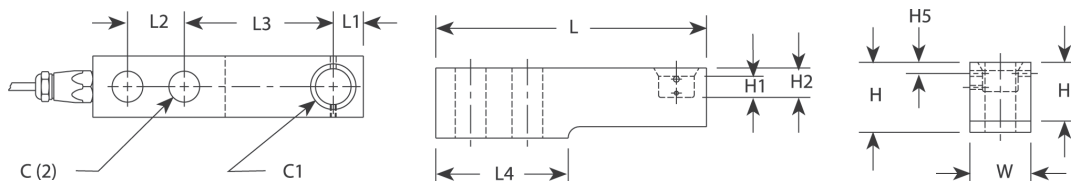
Load Rating	Part #	Est. Weight	Price
<b>NTEP Certified/OIML</b>			
5 kN	26662	4 lb	\$715.00
10 kN	26663	4 lb	\$715.00
23 kN	26664	4 lb	\$715.00
50 kN	26665	7 lb	\$795.00
<b>Non-NTEP Certified/Non-OIML</b>			
5 kN	17390	4 lb	\$652.00
10 kN	17391	4 lb	\$652.00
23 kN	17392	4 lb	\$652.00
50 kN	17393	7 lb	\$715.00
100 kN	17394	17 lb	\$970.00
<b>Options</b>			
Conduit adapter, 1/2-14 NPT	17703	1 lb	\$50.00

**30 ft Cables**

Load Rating	Part #	Est. Weight	Price
<b>NTEP Certified/OIML</b>			
5 kN	100164	4 lb	\$821.00
10 kN	100165	4 lb	\$821.00
23 kN	100166	4 lb	\$821.00
50 kN	100167	7 lb	\$970.00
<b>Non-NTEP Certified/Non-OIML</b>			
5 kN	100169	4 lb	\$747.00
10 kN	100170	4 lb	\$747.00
23 kN	100171	4 lb	\$747.00
50 kN	100173	7 lb	\$832.00
100 kN	100168	17 lb	\$1,033.00

**Dimensions**

Rated Capacity kN/in	C	C1	H	H1	H2	H3	H5	L	L1	L2	L3	L4	W
5 to 23	0.53	0.71	1.42	0.39	0.59	1.19	0.16	6.10	0.59	1.38	3.15	2.98	1.18
50	0.85	0.98	1.93	0.58	0.81	1.62	0.31	7.48	0.83	1.57	4.13	3.66	1.69
100	1.06	1.18	2.87	0.82	1.21	2.43	—	9.65	1.19	1.97	5.31	4.72	2.36



**Weigh Module Available**

- RICE LAKE WEIGHING SYSTEMS  
**Paramounts® HE**..... page 36
- RICE LAKE WEIGHING SYSTEMS  
**Paramounts® HS**..... page 49

**Specifications**

- Full Scale Output:**  
2.0 mV/V  
mV/V/ohm calibration
- Output Resistance:**  
1,000 (± 2) ohm
- Input Resistance:**  
1,100 (± 50) ohm
- Material/Finish:**  
Stainless steel
- Temperature:**  
Compensated:  
14 °F to 104 °F (-10 °C to 40 °C)  
Operating:  
0 °F to 150 °F (-18 °C to 65 °C)
- Seal Type:**  
Hermetically sealed, IP69K
- Safe Overload:**  
200% full scale
- Safe Sideload:**  
100% full scale
- Rated Excitation:**  
5 to 15 VDC
- Combined Error:**  
± 0.03% full scale
- Insulation Resistance:**  
10,000 megohm
- Deflection at Capacity:**  
10 kN: 0.012 in  
23 kN: 0.02 in  
50 kN: 0.012 in  
100 kN: 0.016 in
- Cable Length:**  
5 to 23 kN: 10 ft  
50 to 100 kN: 15 ft  
Also available in 30 ft
- Cable Diameter:**  
0.196 in  
Polyurethane jacket
- Cable Color Code:**  
Green +Excitation  
Black -Excitation  
White +Signal  
Red -Signal  
Yellow Shield
- Warranty:**  
One-year limited
- Approvals:**  
FM  
NTEP  
OIML

FLINTEC®

# SB5

Stainless Steel, Environmentally Sealed, NTEP Certified 1:5,000 Class III Multiple Cell, OIML C3, IP67



Picture is a representation of actual product

### Approvals



### Order Information

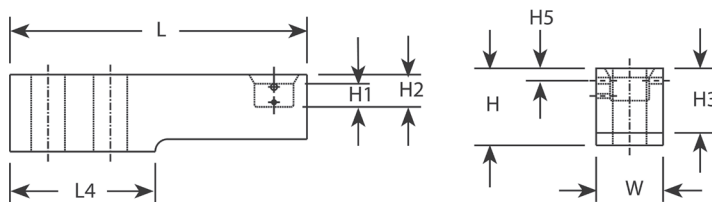
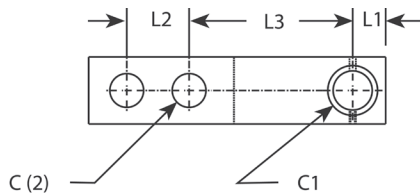
Load Rating	Part #	Est. Weight	Price
<b>NTEP Certified/OIML</b>			
5 kN	33387	3 lb	\$430.00
10 kN	33388	3 lb	\$430.00
20 kN	33389	3 lb	\$430.00
50 kN	33390	7 lb	\$560.00
<b>Non-NTEP Certified/Non-OIML</b>			
100 kN	33391	16 lb	\$853.00

### 30 ft Cables

Load Rating	Part #	Est. Weight	Price
<b>NTEP Certified/OIML</b>			
5 kN	100174	5 lb	\$487.00
10 kN	100175	5 lb	\$487.00
20 kN	100176	5 lb	\$487.00
50 kN	100177	7 lb	\$720.00
<b>Non-NTEP Certified/Non-OIML</b>			
100 kN	100178	16 lb	\$932.00

### Dimensions

Rated Capacity	C	C1	H	H1	H2	H3	H5	L	L1	L2	L3	L4	W
<b>kN/in</b>													
5 to 20	0.53	0.71	1.42	0.39	0.59	1.19	0.16	6.10	0.59	1.38	3.15	2.98	1.18
50	0.85	0.98	1.93	0.58	0.81	1.62	0.31	7.48	0.83	1.57	4.13	3.66	1.69
100	1.06	1.18	2.87	0.82	1.21	2.43	—	9.65	1.19	1.97	5.31	4.72	2.36



### Weigh Module Available

RICE LAKE WEIGHING SYSTEMS  
**Paramounts® EP** .....page 47

### Specifications

- Full Scale Output:**  
2.0 mV/V  
mV/V/ohm calibration
- Output Resistance:**  
1,000 (± 2) ohm
- Input Resistance:**  
1,100 (± 50) ohm
- Material/Finish:**  
Stainless steel
- Temperature:**  
Compensated:  
14 °F to 104 °F (-10 °C to 40 °C)  
Operating:  
0 °F to 150 °F (-18 °C to 65 °C)
- Seal Type:**  
Environmentally sealed, IP67
- Safe Overload:**  
200% full scale
- Safe Sideload:**  
100% full scale
- Rated Excitation:**  
5 to 15 VDC
- Combined Error:**  
± 0.03% full scale
- Insulation Resistance:**  
10,000 megohm
- Deflection at Capacity:**  
5 kN: 0.008 in  
10 kN: 0.012 in  
20 kN: 0.02 in  
50 kN: 0.012 in
- Cable Length:**  
5 to 20 kN: 10 ft  
50 to 100 kN: 15 ft  
Also available in 30 ft
- Cable Diameter:**  
0.196 in  
Polyurethane jacket
- Cable Color Code:**  
Green +Excitation  
Black -Excitation  
White +Signal  
Red -Signal  
Yellow Shield
- Warranty:**  
One-year limited
- Approvals:**  
FM  
NTEP  
OIML



Picture is a representation of actual product.

### Approvals



Available upon request

Available upon request

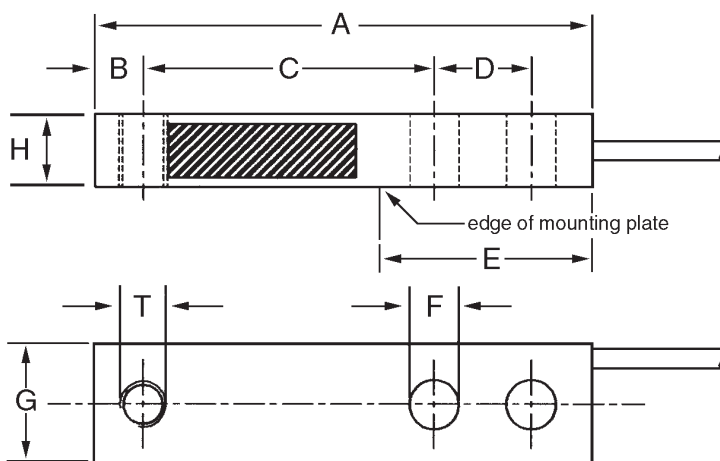
### Order Information

Load Rating	Part #	Est. Weight	Price
<b>NTEP Certified</b>			
500 kg	<b>84839</b>	2 lb	\$243.00
1,000 kg	<b>84840</b>	2 lb	\$243.00
2,000 kg	<b>84841</b>	2 lb	\$243.00
<b>Non-NTEP Certified</b>			
200 kg	<b>84838</b>	2 lb	\$243.00

### Dimensions

Rated Capacity	A	B	C	D	E	F	G	H	T*
kg/mm									
200	128.5	12.7	76.2	25.4	53.8	13(2x)	31.8	16.1	1/2-20 UNF
500	128.5	12.7	76.2	25.4	53.8	13(2x)	31.8	16.1	1/2-20 UNF
1,000	128.5	12.7	76.2	25.4	53.8	13(2x)	31.8	19.1	1/2-20 UNF
2,000	130.2	12.7	76.2	25.4	53.8	13(2x)	31.8	25.4	1/2-20 UNF

\*Metric thread is available



### Specifications

#### Full Scale Output:

2.0 mV/V  
mV/V/ohm calibration

#### Output Resistance:

1,000 (± 2) ohm

#### Input Resistance:

1,100 (± 50) ohm

#### Material/Finish:

Stainless steel

#### Temperature:

Compensated:  
14 °F to 104 °F (-10 °C to 40 °C)  
Operating:  
0 °F to 150 °F (-18 °C to 65 °C)

#### Seal Type:

Environmentally sealed, IP67

#### Safe Overload:

200% full scale

#### Safe Sideload:

100% full scale

#### Rated Excitation:

5 to 15 VDC

#### Combined Error:

0.030%

#### Insulation Resistance:

5,000 megohm

#### Cable Length:

10 ft  
Also available in 30 ft

#### Cable Diameter:

0.196 in  
Polyurethane jacket

#### Cable Color Code:

Green +Excitation  
Black -Excitation  
White +Signal  
Red -Signal  
Yellow Shield

#### Warranty:

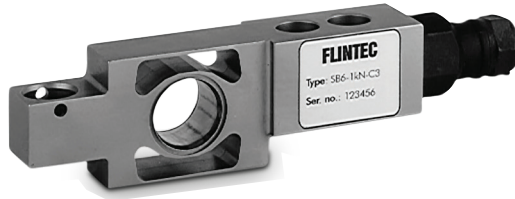
One-year limited

#### Approvals:

NTEP  
EX (Available upon request)  
OIML (Available upon request)

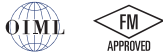
# SB6

Stainless Steel, Hermetically Sealed, OIML C3, IP68



Picture is a representation of actual product.

### Approvals

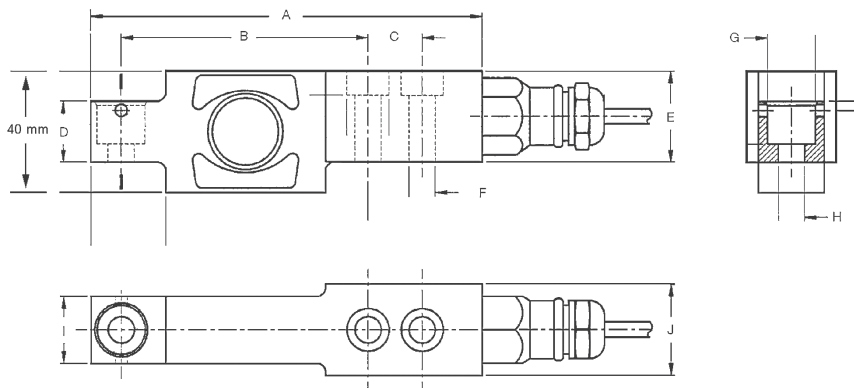


### Order Information

Load Rating	Part #	Est. Weight	Price
0.2 kN	41163	3 lb	\$556.00
0.5 kN	41164	3 lb	\$556.00
1 kN	41165	3 lb	\$556.00
2 kN	41166	3 lb	\$556.00

### Dimensions

Rated Capacity	A	B	C	D	E	F	G	H	I	J
kN/mm										
0.2 to 2	130.0	82.0	18.0	20.0	30.0	8.7	16.0	8.7	22.0	30.0



### Specifications

- Full Scale Output:**  
2.0 mV/V  
mV/V/ohm calibration
- Output Resistance:**  
1,000 (± 2) ohm
- Input Resistance:**  
1,100 (± 50) ohm
- Material/Finish:**  
Stainless steel
- Temperature:**  
Operating:  
0 °F to 150 °F (-18 °C to 65 °C)
- Seal Type:**  
Hermetically sealed, IP68
- Safe Overload:**  
200% full scale
- Safe Sideload:**  
100% full scale
- Rated Excitation:**  
5 to 15 VDC
- Combined Error:**  
0.01% full scale
- Insulation Resistance:**  
5,000 megohm
- Cable Length:**  
10 ft
- Cable Diameter:**  
0.196 in  
Polyurethane jacket
- Cable Color Code:**  
Green +Excitation  
Black -Excitation  
White +Signal  
Red -Signal  
Yellow Shield
- Warranty:**  
One-year limited
- Approvals:**  
FM  
OIML



Picture is a representation of actual product.

**Approvals**



Available upon request

**Order Information-CU Version\***

Load Rating	Part#	Est. Weight	Price
500 lb	41167	3 lb	\$493.00
1,000 lb	41168	3 lb	\$493.00
2,500 lb	41169	3 lb	\$493.00
5,000 lb	41170	3 lb	\$493.00

\*CU versions have a counterbore/unified thread 1/2-20UNF

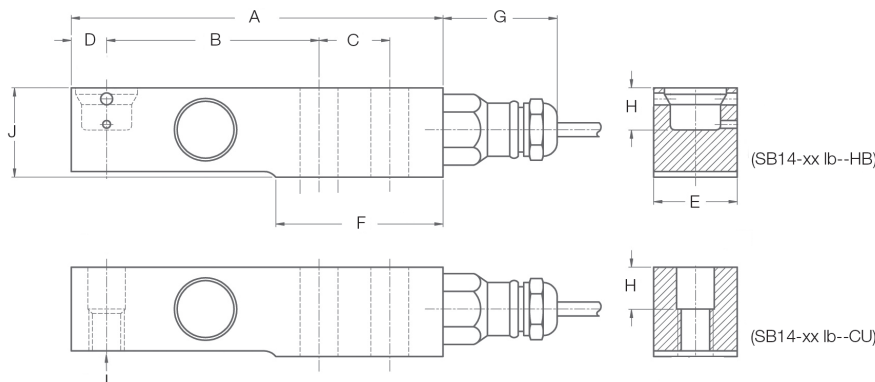
**Order Information-HB Version\*\***

Load Rating	Part#	Est. Weight	Price
500 lb	119556	3 lb	\$493.00
1,000 lb	119557	3 lb	\$493.00
2,500 lb	119558	3 lb	\$493.00
5,000 lb	119559	3 lb	\$493.00

\*\*HB versions have a blind load hole

**Dimensions**

Rated Capacity	A	B	C	D	E	F	G	H	I	J
lb/in										
500 to 5,000	5.25	3.00	1.00	0.50	1.18	2.35	1.61	0.59	1/2-20 UNF	1.22



**Interchangeable Products**

FAIRBANKS®  
LCF-HR4060-XX

**Specifications**

**Full Scale Output:**

2.0 mV/V  
mV/V/ohm calibration

**Output Resistance:**

1,000 (± 2) ohm

**Input Resistance:**

1,100 (± 50) ohm

**Material/Finish:**

Stainless steel

**Temperature:**

Compensated:  
14 °F to 104 °F (-10 °C to 40 °C)  
Operating:  
0 °F to 150 °F (-18 °C to 65 °C)

**Seal Type:**

Hermetically sealed, IP69K

**Safe Overload:**

200% full scale

**Safe Sideload:**

100% full scale

**Rated Excitation:**

5 to 15 VDC

**Combined Error:**

± 0.03% full scale

**Insulation Resistance:**

5,000 megohm

**Cable Length:**

10 ft

**Cable Diameter:**

0.196 in  
Polyurethane jacket

**Cable Color Code:**

Green +Excitation  
Black -Excitation  
White +Signal  
Red -Signal  
Yellow Shield

**Warranty:**

One-year limited

**Approvals:**

FM  
NTEP  
OIML (Available upon request)

# RC1

Stainless Steel, Hermetically Sealed, NTEP Certified 1:10,000 Multiple Cell, OIML C3, IP68



Picture is a representation of actual product.

### Approvals



### Order Information

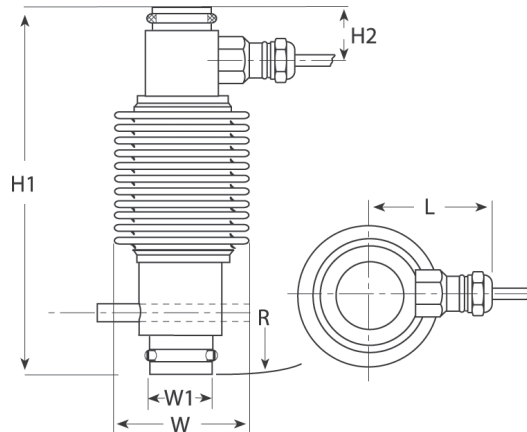
Load Rating	Part #	Est. Weight	Price
25 t (250 kN)*	<b>36217</b>	8 lb	\$858.00
40 t (400 kN)	<b>36218</b>	10 lb	\$1,457.00
50,000 lb**	<b>170734</b>	8 lb	\$1,075.00
Accessories			
Conduit adapter, 1/2-14 NPT	<b>17703</b>	1 lb	\$50.00
Load cup*, upper (25 t only)	<b>71602</b>	-	\$195.00
Load cup*, lower (25 t only)	<b>44290</b>	-	\$195.00
Anti-rotation pin	<b>214044</b>	-	\$10.00

\*For Mettler Toledo® digital to analog conversion: requires replacement of all system load cells, junction box and instrumentation; consult factory. Kit on page 81.

\*\*1,000ohm bridge

### Dimensions

Rated Capacity	H1	H2	L	R	W	W1
t/in						
25	7.56	1.22	2.44	10.98	2.83	1.46
40	8.86	1.34	2.72	14.02	3.35	1.46
50,000 lb	7.56	1.22	2.44	10.98	2.83	1.46



### Interchangeable Products

FAIRBANKS®  
**63215 LCF-HR4020-1**  
FAIRBANKS®  
**82052**

### Specifications

#### Full Scale Output:

2.0 mV/V  
mV/V/ohm calibration

#### Output Resistance:

351 (± 1) ohm  
50,000 lb: 1,000 (± 2) ohm

#### Input Resistance:

400 (± 15) ohm  
50,000 lb: 1,100 (± 50) ohm

#### Material/Finish:

Stainless steel

#### Temperature:

Compensated:  
14 °F to 104 °F (-10 °C to 40 °C)  
Operating:  
0 °F to 150 °F (-18 °C to 65 °C)

#### Seal Type:

Hermetically sealed, IP68

#### Safe Overload:

200% full scale

#### Safe Sideload:

100% full scale

#### Rated Excitation:

5 to 15 VDC

#### Combined Error:

± 0.02% full scale

#### Insulation Resistance:

5,000 megohm

#### Cable Length:

25 t (250 kN): 35 ft  
40 t (400 kN): 60 ft  
50,000 lb: 15 ft overbraid

#### Cable Diameter:

0.196 in  
Polyurethane jacket

#### Cable Color Code:

Green +Excitation  
Black -Excitation  
White +Signal  
Red -Signal  
Yellow Shield

#### Warranty:

One-year limited

#### Approvals:

FM  
NTEP  
OIML



Picture is a representation of actual product.

**Approvals**



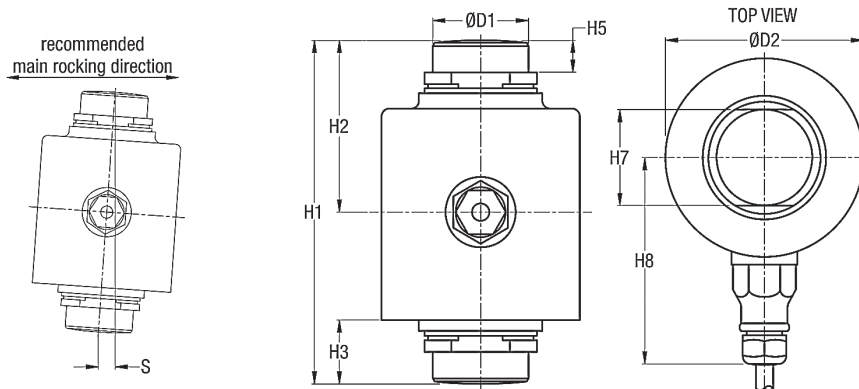
**Order Information**

Load Rating	Part #	Est. Weight	Price
7.5 t	<b>168944</b>	3 lb	\$795.00
15 t	<b>168946</b>	3 lb	\$795.00
22.5 t	<b>168947</b>	3 lb	\$795.00
30 t	<b>84203</b>	7 lb	\$1,007.00
40 t	<b>84204</b>	9 lb	\$1,007.00
50 t	<b>84205</b>	10 lb	\$1,282.00
Options			
Upper cup (50 t) alloy steel	<b>111365</b>	5 lb	\$195.00
Lower cup (50 t) alloy steel	<b>111366</b>	5 lb	\$195.00
Upper cup (50 t) stainless steel	<b>154107</b>	5 lb	\$181.00
Lower cup (50 t) stainless steel	<b>154106</b>	5 lb	\$181.00

The kits for the RC3 cells are on page 82. Cups 111365 and 111366 are used in kits 129844 and 111367. Cups 154107 and 154106 are used in kits 154347, 154348 and 154349.

**Dimensions**

Rated Capacity	H1	H2	H3	H5	H7	H8	D1	D2
t/in								
7.5 to 22.5	3.50	1.73	0.67	0.43	1.10	2.95	1.10	2.56
30	5.51	2.76	1.20	0.51	1.55	3.31	1.55	3.19
40	5.91	2.95	1.22	0.51	1.55	3.31	1.55	3.19
50	7.01	3.50	1.26	0.67	1.73	3.71	1.73	3.90



**Interchangeable Products**

FAIRBANKS®  
30 t 70510 LCF-HR4020-2A

**Specifications**

**Full Scale Output:**

2.0 mV/V  
mV/V/ohm calibration

**Output Resistance:**

1,000 (± 2) ohm

**Input Resistance:**

1,150 (± 50) ohm

**Material/Finish:**

Stainless steel

**Temperature:**

Compensated:  
14 °F to 104 °F (-10 °C to 40 °C)  
Operating:  
0 °F to 150 °F (-18 °C to 65 °C)

**Seal Type:**

Hermetically sealed, IP69K

**Safe Overload:**

200% full scale

**Safe Sideload:**

200% full scale

**Rated Excitation:**

5 to 15 VDC

**Combined Error:**

0.02% full scale

**Insulation Resistance:**

5,000 megohm

**Cable Length:**

7.5 to 22.5 t: 40 ft  
30 to 50 t: 18 m

**Cable Diameter:**

0.307 in  
Polyurethane jacket

**Cable Color Code:**

Green +Excitation  
Black -Excitation  
White +Signal  
Red -Signal  
Yellow Shield

**Warranty:**

One-year limited

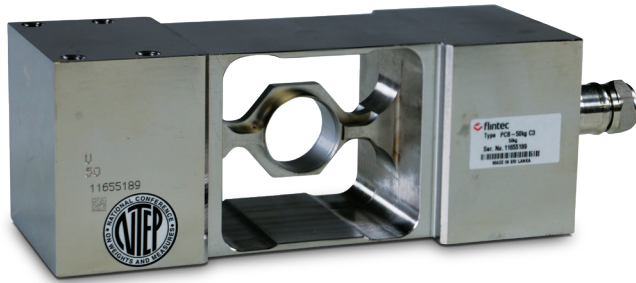
**Approvals:**

FM  
NTEP  
OIML

FLINTEC®

# PCB

Stainless Steel, Hermetically Sealed, NTEP Certified 1:5,000 Class III Single Cell, OIML C3, IP69K



Picture is a representation of actual product.

### Approvals

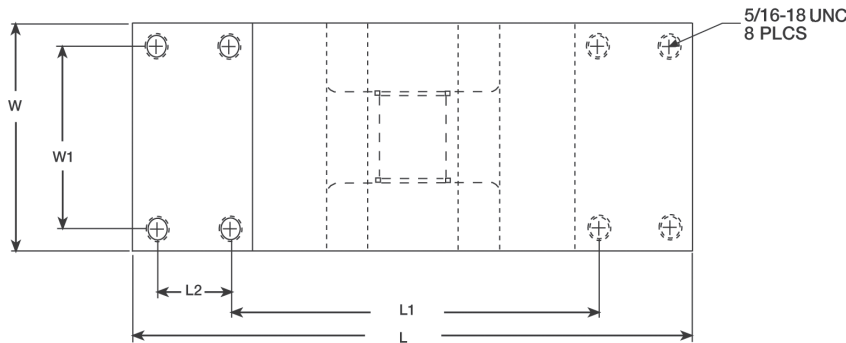
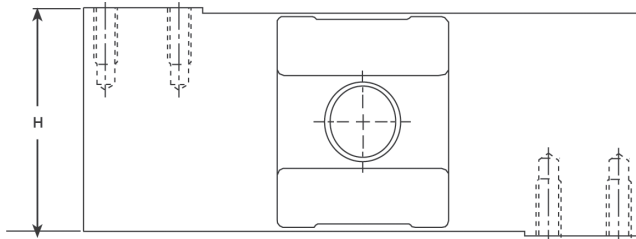


### Order Information

Load Rating	Part #	Est. Weight	Price
50 kg	45274	15 lb	\$900.00
100 kg	45275	15 lb	\$900.00
250 kg	45276	15 lb	\$900.00
500 kg	45277	15 lb	\$900.00
1,000 kg	45278	15 lb	\$900.00
Options			
Conduit adapter, 1/2-14 NPT	17703	1 lb	\$50.00

### Dimensions

Rated Capacity	L	L1	L2	W	W1	H
kg/mm						
50 to 1,000	190.5	124.8	24.9	74.9	59.9	74.9



### Interchangeable Products

RICE LAKE WEIGHING SYSTEMS  
**RLPWM12**.....page 161

RICE LAKE WEIGHING SYSTEMS  
**RL1250\***

VPG® TEDEA-HUNTLEIGH®  
**1250\*** ..... page 322

\* Environmentally sealed

### Specifications

**Full Scale Output:**

2.0 mV/V

**Output Resistance:**

960 (± 50) ohm

**Input Resistance:**

1,100 (± 50) ohm

**Material/Finish:**

Stainless steel

**Temperature:**

Compensated:

14 °F to 104 °F (-10 °C to 40 °C)

Operating:

0 °F to 150 °F (-18 °C to 65 °C)

**Seal Type:**

Hermetically sealed, IP69K

**Safe Overload:**

200% full scale

**Safe Sideload:**

100% full scale

**Rated Excitation:**

5 to 15 VDC

**Combined Error:**

0.02% full scale

**Insulation Resistance:**

5,000 megohm

**Deflection at Capacity:**

0.015 in

**Cable Length:**

10 ft

**Cable Diameter:**

0.196 in

Polyurethane jacket

**Cable Color Code:**

Green +Excitation

Black -Excitation

White +Signal

Red -Signal

Yellow Shield

**Max Platform Size:**

39 × 39 in

**Warranty:**

One-year limited

**Approvals:**

FM

NTEP

OIML





Picture is a representation of actual product.

Approvals

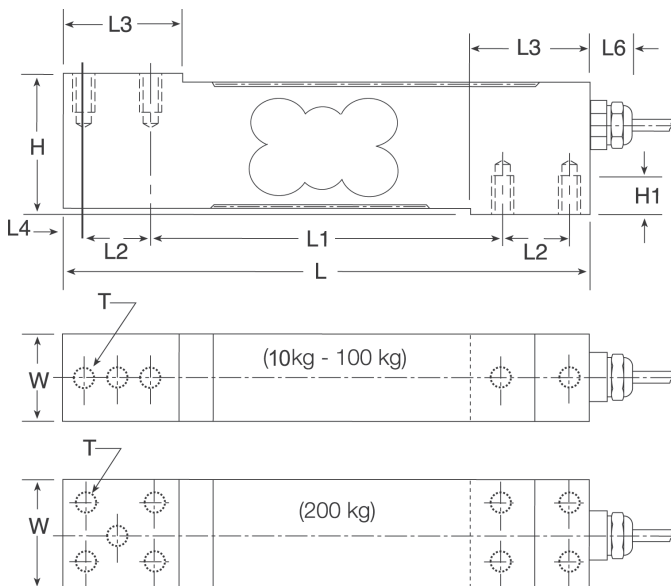


Order Information

Load Rating	Part #	Est. Weight	Price
<b>NTEP Certified</b>			
10 kg	41821	3lb	\$328.00
15 kg	36219	3lb	\$328.00
30 kg	36220	3lb	\$328.00
50 kg	36221	3lb	\$328.00
75 kg	36222	3lb	\$328.00
<b>Non-NTEP Certified</b>			
100 kg	36223	3lb	\$328.00
200 kg	36224	4lb	\$492.00

Dimensions

Rated Capacity	H	H1	L	L1	L2	L3	L4	L6	W	T
kg/mm										
10 to 100	40.0	10.0	150.0	100.0	19.0	32.0	6.0	20.0	25.4	1/4-20 UNC x 19.1DP
200	40.0	10.0	150.0	100.0	19.0	32.0	6.0	20.0	38.1	1/4-20 UNC x 19.1DP



Interchangeable Products

RICE LAKE WEIGHING SYSTEMS  
 RL1385..... page 167

Specifications

**Full Scale Output:**  
2.0 mV/V

**Output Resistance:**  
330 (± 25) ohm

**Input Resistance:**  
390 (± 20) ohm

**Material/Finish:**  
Stainless steel

**Temperature:**  
Compensated:  
14 °F to 104 °F (-10 °C to 40 °C)  
Operating:  
0 °F to 150 °F (-18 °C to 65 °C)

**Seal Type:**  
Environmentally sealed, IP67

**Safe Overload:**  
200% full scale

**Safe Sideload:**  
100% full scale

**Rated Excitation:**  
5 to 15 VDC

**Combined Error:**  
0.02% full scale

**Insulation Resistance:**  
5,000 megohm

**Cable Length:**  
10 ft

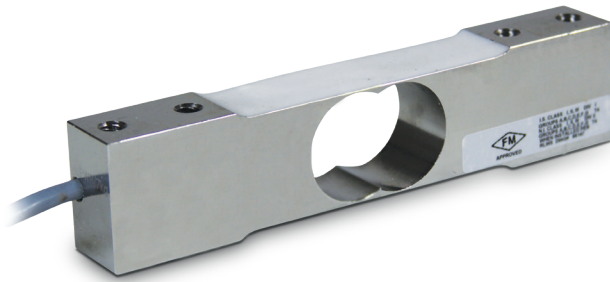
**Cable Diameter:**  
0.196 in  
Polyurethane jacket

**Cable Color Code:**  
Green +Excitation  
Black -Excitation  
White +Signal  
Red -Signal  
Yellow Shield

**Max Platform Size:**  
18 x 18 in

**Warranty:**  
One-year limited

**Approvals:**  
FM  
NTEP  
OIML



Picture is a representation of actual product.

**Approvals**

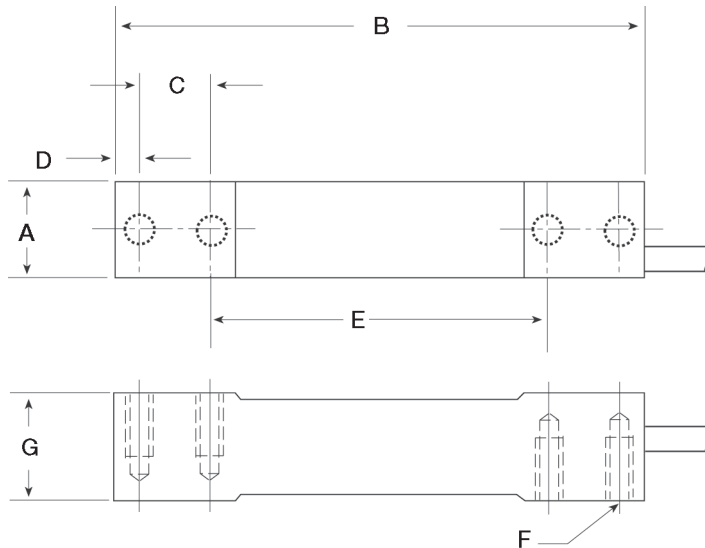


**Order Information**

Load Rating	Part #	Est. Weight	Price
7 kg	<b>202686</b>	2 lb	\$328.00
10 kg	<b>202687</b>	2 lb	\$328.00
30 kg	<b>202688</b>	2 lb	\$328.00
60 kg	<b>202689</b>	2 lb	\$328.00
100 kg	<b>202690</b>	2 lb	\$328.00
150 kg	<b>202691</b>	2 lb	\$328.00

**Dimensions**

Rated Capacity	A	B	C	D	E	F	G
kg/mm							
7 to 10	18.2	140.0	19.0	6.4	88.9	1/4-20 UNC	30.0
30 to 60	24.5	140.0	19.0	6.4	88.9	1/4-20 UNC	30.0
100 to 150	30.8	140.0	22.4	7.8	79.3	3/8-16 UNC	30.0

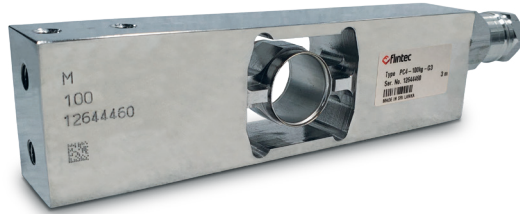


**Interchangeable Products**

- RICE LAKE WEIGHING SYSTEMS
- RL1380**.....page 166
- HBK®
- PWS**.....page 231

**Specifications**

- Full Scale Output:**  
2 mV/V
- Output Resistance:**  
350 (± 10) ohm
- Input Resistance:**  
385 (± 15) ohm
- Material Finish:**  
Stainless Steel
- Temperature:**  
Compensated:  
14 °F to 104 °F (-10 °C to 40 °C)  
Operating:  
0 °F to 150 °F (-18 °C to 65 °C)
- Seal Type:**  
Environmentally Sealed, IP67
- Safe Overload:**  
150% full scale
- Rated Excitation:**  
5 to 10 VDC
- Combined Error:**  
0.02% full scale
- Insulation Resistance:**  
5,000 megohm
- Cable Length:**  
10 ft
- Cable Diameter:**  
0.140 in  
Polyurethane jacket
- Color Code:**  
Green +Excitation  
Black -Excitation  
White +Signal  
Red -Signal  
Yellow Shield
- Max Platform Size:**  
7 to 30 kg: 350 × 350 mm  
60 to 150 kg: 450 × 450 mm
- Warranty:**  
One-year limited
- Approvals:**  
FM  
NTEP  
OIML



Picture is a representation of actual product.

**Approvals**

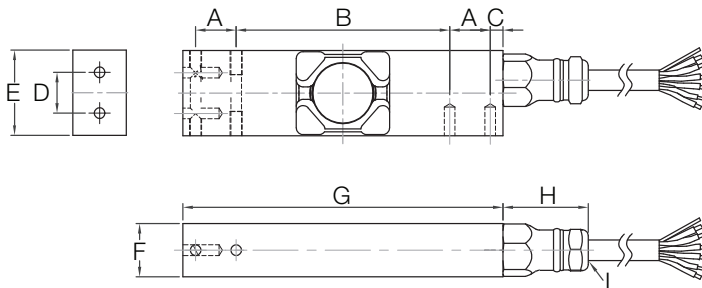


**Order Information**

Load Rating	Part #	Est. Weight	Price
10 kg	<b>202692</b>	3 lb	\$630.00
20 kg	<b>202693</b>	3 lb	\$630.00
50 kg	<b>202694</b>	3 lb	\$630.00
100 kg	<b>202695</b>	3 lb	\$630.00

**Dimensions**

Rated Capacity	A	B	C	D	E	F	G	H
kg/mm								
10 to 100	19.0	100.0	6.0	19.1	40.0	25.0	150.0	40.0



**Interchangeable Products**

RICE LAKE WEIGHING SYSTEMS  
**RLPWM15HE**..... page 155  
 HBK®  
**PW15AH\*** ..... page 230  
 \*350 Ohm

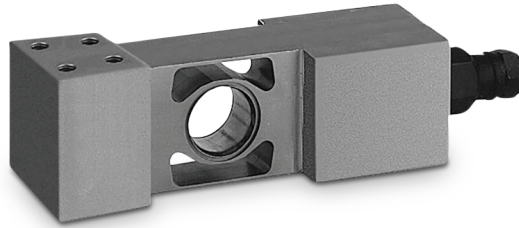
**Specifications**

- Full Scale Output:**  
2 mV/V
- Output Resistance:**  
960 (± 50) ohm
- Input Resistance:**  
1100 (± 50) ohm
- Material:**  
Stainless Steel
- Temperature :**  
Compensated:  
14 °F to 104 °F (-10 °C to 40 °C)  
Operating:  
0 °F to 150 °F (-18 °C to 65 °C)
- Seal Type:**  
Hermetically sealed, IP69K
- Safe Overload:**  
150% full scale
- Rated Excitation:**  
5 to 10 VDC
- Combined Error:**  
0.02% full scale
- Insulation Resistance:**  
> 5,000 megohm
- Cable Length:**  
10 ft
- Color Code:**  
Green +Excitation  
Black -Excitation  
White +Signal  
Red -Signal  
Blue +Sense  
Brown -Sense  
Yellow Shield
- Max Platform Size:**  
500 × 400 mm
- Warranty:**  
One-year limited
- Approvals:**  
FM  
NTEP  
OIML



# PC6

Stainless Steel, Hermetically Sealed, NTEP Certified 1:5,000 Class III Single Cell, OIML C3, IP69K



Picture is a representation of actual product.

### Approvals

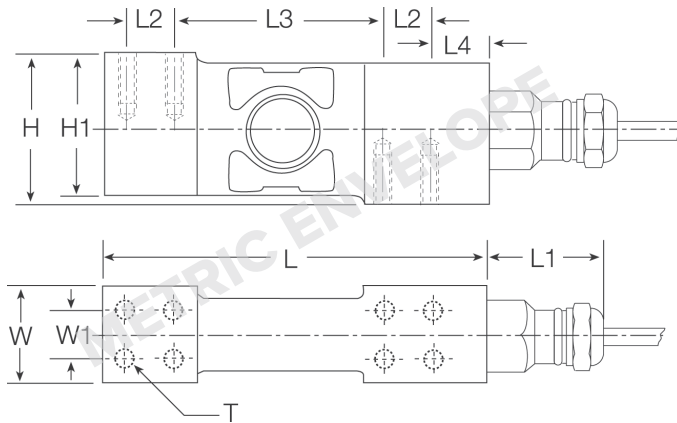


### Order Information

Load Rating	Part #	Est. Weight	Price
20 kg	36225	3 lb	\$640.00
50 kg	36226	3 lb	\$640.00
100 kg	36227	3 lb	\$640.00
200 kg	36228	3 lb	\$640.00

### Dimensions

Rated Capacity	H	H1	L	L1	L2	L3	L4	W	W1	T
kg/mm										
20 to 200	48.0	45.5	123.0	41.0	15.2	67.6	17.8	30.1	15.2	8 × M6/15 DP



### Interchangeable Products

RICE LAKE WEIGHING SYSTEMS  
**RLPC6** ..... page 154

### Specifications

- Full Scale Output:**  
2.0 mV/V
- Output Resistance:**  
960 (± 50) ohm
- Input Resistance:**  
1,100 (± 50) ohm
- Material/Finish:**  
Stainless steel
- Temperature:**  
Compensated range  
14 °F to 104 °F (-10 °C to 40 °C)  
Operating range  
0 °F to 150 °F (-18 °C to 65 °C)
- Seal Type:**  
Hermetically sealed, IP69K
- Safe Overload:**  
200% full scale
- Safe Sideload:**  
100% full scale
- Rated Excitation:**  
5 to 10 VDC (15 V maximum)
- Combined Error:**  
0.02% full scale
- Insulation Resistance:**  
5,000 megohm
- Cable Length:**  
3 m
- Cable Color Code:**  
Green +Excitation  
Black -Excitation  
White +Signal  
Red -Signal  
Yellow Shield
- Max Platform Size:**  
24 × 24 in
- Warranty:**  
One-year limited
- Approvals:**  
FM  
NTEP  
OIML



Picture is a representation of actual product.

**Approvals**

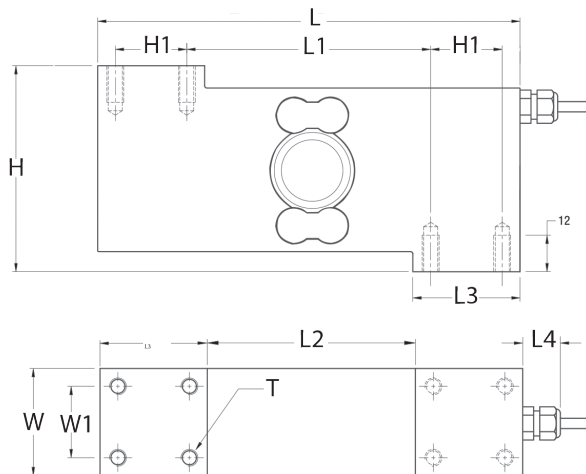


**Order Information**

Load Rating	Part #	Est. Weight	Price
100 kg	<b>161719</b>	6 lb	\$742.00
250 kg	<b>161720</b>	6 lb	\$742.00
500 kg	<b>161721</b>	6 lb	\$742.00

**Dimensions**

Rated Capacity	H	H1	L	L1	L2	L3	L4	W	W1	T
kg/in										
100 to 500	2.88	1.00	5.91	3.41	2.92	1.50	0.63	1.50	1.00	M8



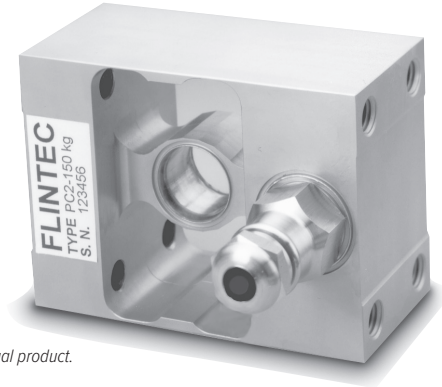
**Interchangeable Products**

VPG® TEDEA-HUNTLEIGH®  
**1510**..... page 324

**Specifications**

- Full Scale Output:**  
2 mV/V ±5%
- Output Resistance:**  
350 (± 10) ohm
- Input Resistance:**  
380 (± 20) ohm
- Material/Finish:**  
Stainless steel construction with electro-polished finish
- Temperature:**  
Operating:  
0 °F to 150 °F (-18 °C to 65 °C)
- Seal Type:**  
Hermetically sealed, IP69K
- Safe Overload:**  
150% full scale
- Rated Excitation:**  
5 to 15 VDC
- Insulation Resistance:**  
5,000 megohm
- Cable Length:**  
3 m
- Cable Color Code:**  
Green +Excitation  
Black -Excitation  
White +Signal  
Red -Signal  
Blue +Sense  
Brown -Sense  
Yellow Shield
- Max Platform Size:**  
600 × 600 mm
- Warranty:**  
One-year limited
- Approvals:**  
OIML

FLINTEC®



Picture is a representation of actual product.

### Approvals

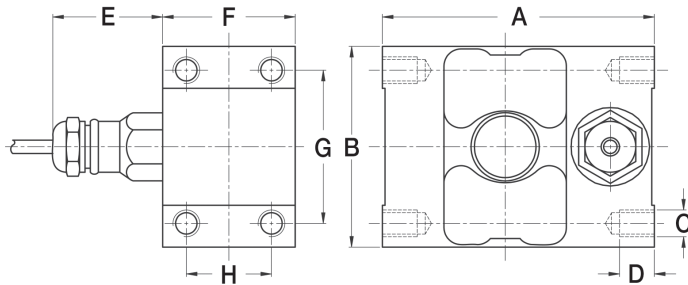


### Order Information

Load Rating	Part #	Est. Weight	Price
150 kg	41176	2 lb	\$1,160.00

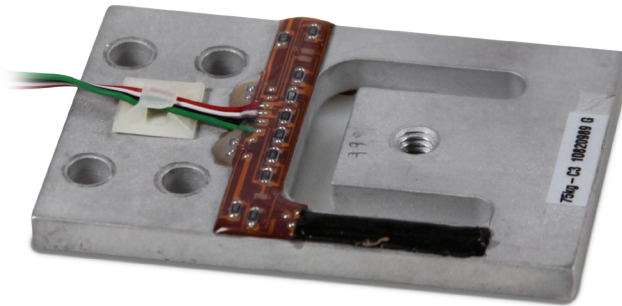
### Dimensions

Rated Capacity	A	B	C	D	E	F	G	H
150 kg/mm	101.6	75.0	M10	13.0	41.0	49.5	57.2	31.8



### Specifications

- Full Scale Output:**  
2.0 mV/V
- Output Resistance:**  
960 (± 50) ohm
- Input Resistance:**  
1,100 (± 50) ohm
- Material/Finish:**  
Stainless steel
- Temperature:**  
Operating:  
0 °F to 150 °F (-18 °C to 65 °C)
- Seal Type:**  
Hermetically sealed, IP68
- Safe Overload:**  
200% full scale
- Safe Sideload:**  
100% full scale
- Rated Excitation:**  
5 to 15 VDC
- Combined Error:**  
0.02% full scale
- Insulation Resistance:**  
5,000 megohm
- Cable Length:**  
10 ft
- Cable Diameter:**  
0.196 in  
Polyurethane jacket
- Cable Color Code:**  
Green +Excitation  
Black -Excitation  
White +Signal  
Red -Signal  
Blue +Sense  
Brown -Sense  
Yellow Shield
- Warranty:**  
One-year limited
- Approvals:**  
FM



**Interchangeable Products**

RICE LAKE WEIGHING SYSTEMS  
**RLBP**..... page 173

**Specifications**

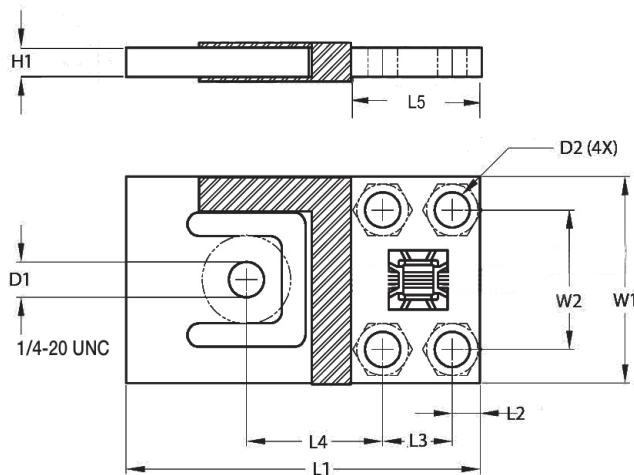
- Full Scale Output:**  
1 mV/V  
mV/V/ohm calibration
- Output Resistance:**  
1,000 (± 10) ohm
- Input Resistance:**  
1,180 (± 50) ohm
- Material/Finish:**  
Aluminum
- Temperature:**  
Operating:  
0 °F to 150 °F (-18 °C to 65 °C)
- Seal Type:**  
Environmentally sealed, IP65
- Safe Overload:**  
150% full scale
- Rated Excitation:**  
5 to 10 VDC
- Combined Error:**  
0.060% full scale
- Insulation Resistance:**  
5,000 megohm
- Cable Length:**  
1.5 m
- Cable Color Code:**  
Green +Excitation  
Black -Excitation  
White +Signal  
Red -Signal  
Yellow Shield
- Warranty:**  
One-year limited

**Order Information**

Load Rating	Part #	Est. Weight	Price
15 kg	<b>96361</b>	1 lb	\$85.00
37.5 kg	<b>96362</b>	1 lb	\$90.00
75 kg	<b>96363</b>	1 lb	\$96.00
150 kg	<b>96364</b>	1 lb	\$108.00

**Dimensions**

Rated Capacity	L1	L2	L3	L4	L5	W1	W2	H1	D1	D2	Deflection (mm) at E max
kg/mm											
15	70.0	4.9	14.0	28.0	23.7	39.0	27.8	4.1	7.6	5.1	0.3
37.5	76.2	6.0	15.0	29.3	27.0	44.5	30.0	4.8	7.6	6.6	0.4
75	84.4	6.4	15.0	34.0	27.7	54.8	30.0	6.4	7.6	6.6	0.4
150	107.3	7.8	22.9	45.9	38.4	69.9	44.5	7.9	9.1	8.1	0.6







SINGLE-ENDED BEAMS

Page 224

**H35, STAINLESS STEEL**



Offers all stainless steel construction, an integral mounting foot as well as dimensional and electrical interchangeability with several load cell manufacturers. Available in capacities ranging from 500 lb to 5,000 lb, with 20 ft of cable.



Page 225

**BBS, ALLOY STEEL**



Low-cost bending beam load cell designed for precision force and weight measurement. Features excellent performance and protection against adverse environments, alloy steel sensing elements and low mounting sensitivity. Capacities range from 50 lb to 1,000 lb. Complete with 10 ft of load cell cable.



Page 226

**Z6, STAINLESS STEEL**



Featuring stainless steel and a welded seal, this bending beam load cell is ideal for harsh or caustic environments and washdown applications. Capacities range from 5 kg to 200 kg. Complete with 10 ft of load cell cable.



ROCKER COLUMN

Page 227

**C16A, STAINLESS STEEL**



A rocker column load cell specifically designed for high-capacity weighing in the harshest environments. Ideal for truck scale applications, it features all stainless steel construction with IP68 hermetic sealing. Easy to install and maintain. Available in capacities ranging from 20 t to 60 t and includes 12 m of load cell cable.



SINGLE POINTS

Page 228

**SP4M, ALUMINUM**



Low-profile, off-center load cell designed for use in retail, postal and platform scale applications. Manufactured from aluminum and is movement compensated for guaranteed accuracy. Protected by a quality gauge coating compound that provides a barrier against high humidity environments. Capacities range from 3 kg to 100 kg, and comes standard with 3 meters of load cell cable.



Page 229

**PW15, STAINLESS STEEL**

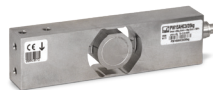


A stainless steel, single point load cell with capacities ranging from 15 kg to 150 kg. Ideal for platform, hanging scale and other low capacity beam applications. Complete with 10 ft of load cell cable.



Page 230

**PW15AH, STAINLESS STEEL**



The new standard for hermetically sealed, single-point load cells. A unique sealing process guarantees moisture protection from high-pressure jets. IP69K rated and available in 10 kg to 100 kg capacities.



Page 231

**PWS, STAINLESS STEEL**



A single-point cell, constructed of stainless steel and designed for performance in harsh, high-shock load environments. Ideal for platform scales as well as packaging and process weighing equipment. Capacities range from 7 kg to 150 kg. Complete with 10 ft of load cell cable.



# H35

Stainless Steel, Welded Seal, NTEP Certified 1:5,000 Class III Multiple Cell, IP67



Picture is a representation of actual product.

### Approvals

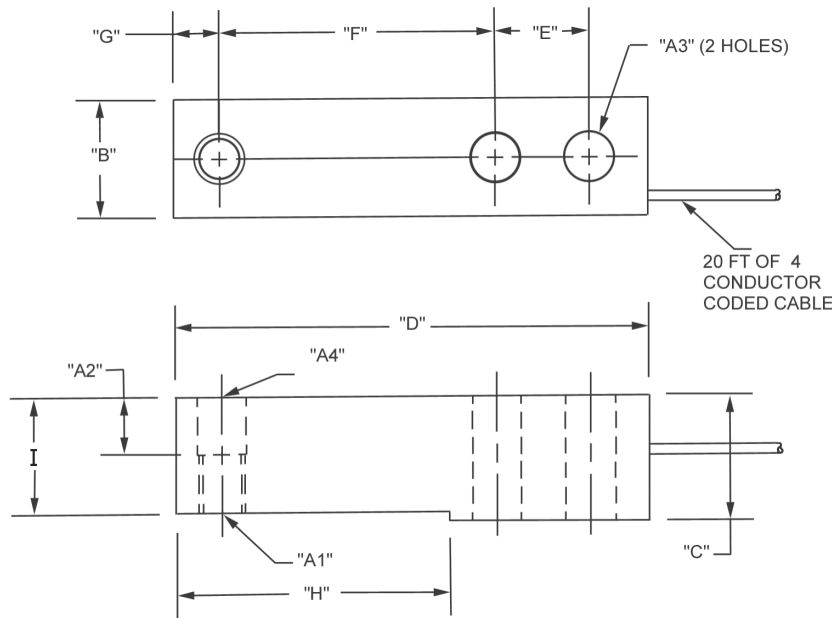


### Order Information

Load Rating	Part #	Est. Weight	Price
500 lb	84818	3 lb	\$389.00
1,000 lb	64876	3 lb	\$389.00
2,500 lb	64877	3 lb	\$389.00
4,000 lb	64878	3 lb	\$389.00
5,000 lb	64879	3 lb	\$389.00

### Dimensions

Rated Capacity	A1	A2	A3	A4	B	C	D	E	F	G	H	I
500 to 5,000	1/2-20 UNF-2B	0.62	0.53	0.53	1.21	1.19	5.12	1.00	3.00	0.50	2.85	1.12



### Interchangeable Products

RICE LAKE WEIGHING SYSTEMS	
RLH35 .....	page 114
METTLER TOLEDO®	
500 lb-8 ft cable .....	TB601019-008
1,000 lb-20 ft cable .....	TB601016-020
2,500 lb-8 ft cable .....	TB601016-008
4,000 lb-20 ft cable .....	TB601017-020
5,000 lb-8 ft cable .....	TB601018-008
METTLER TOLEDO	
500 lb .....	TB600830-020
METTLER TOLEDO	
1,000 lb .....	TB600831-020
METTLER TOLEDO	
2,000 lb .....	TB600832-020
METTLER TOLEDO	
2,500 lb .....	TB600833-020

### Specifications

- Full Scale Output:**  
3.0 mV/V
- Output Resistance:**  
350 (± 3) ohm
- Input Resistance:**  
385 ohm nominal
- Material/Finish:**  
Stainless steel
- Temperature:**  
Compensated:  
14 °F to 104 °F (-10 °C to 40 °C)  
Operating:  
0 °F to 150 °F (-18 °C to 65 °C)
- Seal Type:**  
Welded-seal, IP67
- Safe Overload:**  
150% full scale
- Safe Sideload:**  
100% full scale
- Rated Excitation:**  
5 to 15 VDC
- Combined Error:**  
0.02% full scale
- Insulation Resistance:**  
5,000 megohm
- Cable Length:**  
20 ft
- Cable Diameter:**  
0.190 in Polyurethane jacket
- Cable Color Code:**  
Green +Excitation  
Black -Excitation  
White +Signal  
Red -Signal  
Yellow Shield
- Warranty:**  
One-year limited
- Approvals:**  
FM  
NTEP

HBK®



Picture is a representation of actual product.

### Approvals

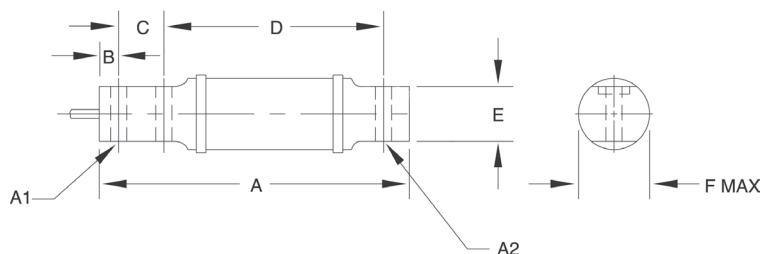


### Order Information

Load Rating	Part #	Est. Weight	Price
50 lb	17352	3 lb	\$975.00
100 lb	17353	3 lb	\$975.00
200 lb	17354	3 lb	\$975.00
250 lb	17355	3 lb	\$975.00
500 lb	17356	3 lb	\$975.00
1,000 lb	17357	3 lb	\$975.00

### Dimensions

Rated Capacity	A	A1	A2	B	C	D	E	F
lb/in								
50 to 100	6.00	0.31	0.31	0.38	0.88	4.25	1.06	1.25
200 to 1,000	6.63	0.51	0.51	0.50	1.12	4.25	1.06	1.25



### Interchangeable Products

RICE LAKE WEIGHING SYSTEMS

**RL40BBS** ..... page 123

VPG® SENSORTRONICS®

**60007**

VPG® BLH®

**LBG1**

FAIRBANKS®

**3-481XX-1, 3-486XX-1**

### Specifications

#### Full Scale Output:

2.0 mV/V

#### Output Resistance:

750 (± 10) ohm

#### Input Resistance:

810 (± 10) ohm

#### Material/Finish:

High-alloy steel, nickel plated

#### Temperature:

Operating:  
0 °F to 150 °F (-18 °C to 65 °C)

#### Seal Type:

Environmentally sealed, IP65

#### Safe Overload:

150% full scale

#### Safe SideLoad:

50% full scale

#### Rated Excitation:

5 to 15 VDC

#### Nonlinearity:

0.03% full scale

#### Hysteresis:

0.03% full scale

#### Insulation Resistance:

1,000 megohm

#### Deflection at Capacity:

50 lb: 0.015 in  
100 lb: 0.025 in  
200 to 250 lb: 0.030 in  
500 lb: 0.020 in  
1,000 lb: 0.040 in

#### Cable Length:

10 ft

#### Cable Diameter:

0.190 in  
Polyurethane jacket

#### Cable Color Code:

Green +Excitation  
Black -Excitation  
White +Signal  
Red -Signal  
Yellow Shield

#### Warranty:

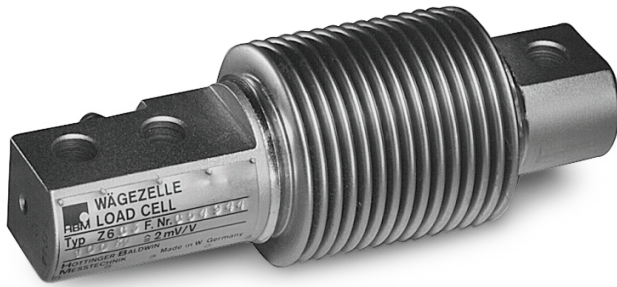
One-year limited

#### Approvals:

FM

# Z6

Stainless Steel, Welded Seal, OIML C3, IP68



Picture is a representation of actual product.

**Approvals**

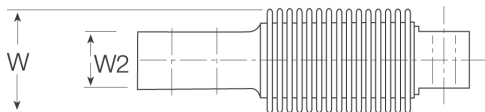
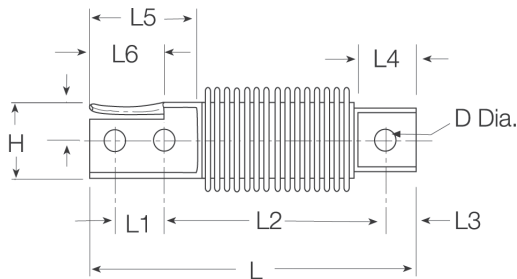


**Order Information**

Load Rating	Part #	Est. Weight	Price
<b>OIML C3</b>			
10 kg	36173	2 lb	\$725.00
20 kg	36174	2 lb	\$725.00
50 kg	36175	2 lb	\$725.00
100 kg	36176	2 lb	\$725.00
200 kg	36177	2 lb	\$725.00
<b>OIML D1</b>			
5 kg	36172	2 lb	\$725.00

**Dimensions**

Rated Capacity	H	L	L1	L2	L3	L4	L5	L6	W	W2	D
kg/mm											
5 to 200	31.0	123.0	18.0	82.0	9.9	21.0	45.0	27.9	42.0	20.1	8.2



**Interchangeable Products**

- RICE LAKE WEIGHING SYSTEMS
- RL9018SS** .....page 111
- RICE LAKE WEIGHING SYSTEMS
- RLHBB**
- VPG® REVERE
- SHB** ..... page 253
- METTLER TOLEDO®
- MTB**

**Specifications**

- Full Scale Output:**  
2.0 mV/V
- Output Resistance:**  
356 ohm
- Input Resistance:**  
350 to 400 ohm
- Material/Finish:**  
Stainless steel
- Temperature:**  
Operating:  
0 °F to 150 °F (-18 °C to 65 °C)
- Seal Type:**  
Welded-seal, IP68
- Safe Overload:**  
150% full scale
- Rated Excitation:**  
5 to 15 V DC
- Combined Error:**  
0.05% full scale
- Insulation Resistance:**  
5,000 megohm
- Cable Length:**  
10 ft
- Cable Diameter:**  
0.190 in PVC jacket
- Cable Color Code:**  
Blue +Excitation  
Black -Excitation  
White +Signal  
Red -Signal  
Green +Sense  
Grey -Sense
- Warranty:**  
One-year limited
- Approvals:**  
FM  
OIML  
Ex (available upon request)

Stainless Steel, Hermetically Sealed, NTEP Certified 1:10,000 Class IIII Multiple Cell/OIML, IP68



Picture is a representation of actual product.

## Approvals

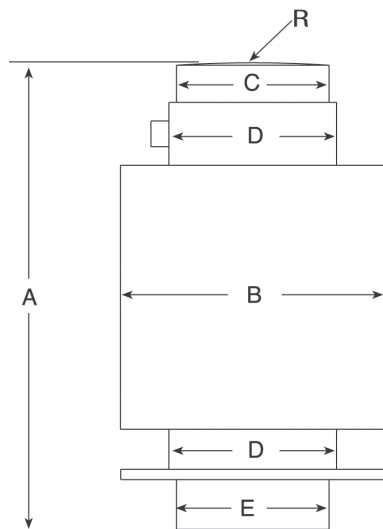


## Order Information

Load Rating	Part #	Est. Weight	Price
<b>OIML C3</b>			
20t	<b>69312</b>	6 lb	\$1,125.00
30t	<b>69313</b>	6 lb	\$1,125.00
40t	<b>69314</b>	10 lb	\$1,125.00
60t	<b>125266</b>	10 lb	\$1,125.00
<b>NTEP Certified</b>			
20t	<b>106149</b>	6 lb	\$1,125.00
30t	<b>106150</b>	6 lb	\$1,125.00
40t	<b>106151</b>	10 lb	\$1,125.00
60t	<b>125265</b>	10 lb	\$1,175.00

## Dimensions

Rated Capacity	A	B	C	D	E	R
t/mm						
20	150.0	76.1	44.0	48.0	44.0	130.0
30	150.0	76.1	44.0	48.0	44.0	160.0
40	150.0	76.1	44.0	48.0	44.0	180.0
60	210.0	76.1	44.0	48.0	44.0	220.0



## Specifications

**Full Scale Output:**2 mV/V  $\pm$  1%**Output Resistance:**706 ( $\pm$  3.5) ohm**Input Resistance:**700 ( $\pm$  20) ohm**Material/Finish:**

Stainless steel

**Temperature:**

Compensated:

14 °F to 104 °F (-10 °C to 40 °C)

Operating:

0 °F to 150 °F (-18 °C to 65 °C)

**Seal Type:**

Hermetically sealed, IP68

**Safe Overload:**

130% full scale

**Rated Excitation:**

5 to 15 VDC

**Combined Error:**

0.03% full scale

**Insulation Resistance:**

5,000 megohm

**Cable Length:**

12 m

**Cable Diameter:**

0.190 in Polyurethane jacket

**Cable Color Code:**

Blue +Excitation

Black -Excitation

White +Signal

Red -Signal

Green +Sense

Grey -Sense

**Warranty:**

One-year limited

**Approvals:**

NTEP

OIML



Picture is a representation of actual product.

Approvals

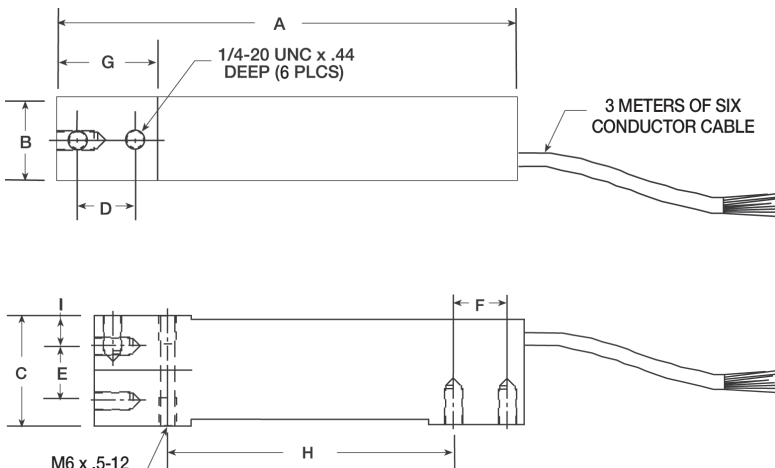


Order Information

Load Rating	Part #	Est. Weight	Price
<b>NTEP Certified</b>			
7 kg	72764	2 lb	\$250.00
15 kg	72767	2 lb	\$250.00
20 kg	72769	2 lb	\$250.00
30 kg	72771	2 lb	\$250.00
50 kg	72776	2 lb	\$250.00
75 kg	72777	2 lb	\$250.00
100 kg	72778	2 lb	\$250.00
<b>OIML with Metric Threads</b>			
3 kg	121396	2 lb	\$250.00
5 kg	121397	2 lb	\$250.00
7 kg	121398	2 lb	\$250.00
10 kg	121399	2 lb	\$250.00
15 kg	121400	2 lb	\$250.00
20 kg	121401	2 lb	\$250.00
30 kg	121402	2 lb	\$250.00
50 kg	121403	2 lb	\$250.00
75 kg	124835	2 lb	\$250.00
100 kg	121404	2 lb	\$250.00

Dimensions

Rated Capacity	A	B	C	D	E	F	G	H	I
kg/mm									
3 to 100	150.3	25.4	39.9	19.1	19.1	19.1	33.8	99.6	11.4



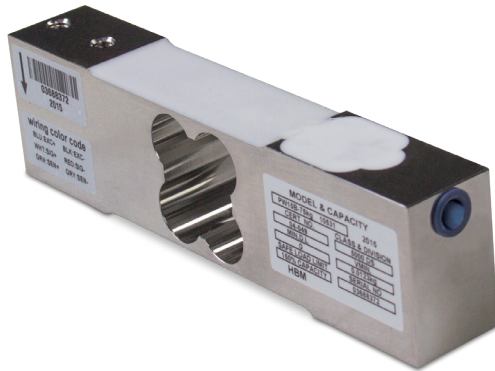
Interchangeable Products

- RICE LAKE WEIGHING SYSTEMS  
**RLSP4\***.....page 160
- RICE LAKE WEIGHING SYSTEMS  
**RL1042**.....page 163
- VPG® TEDEA-HUNTLEIGH®  
**1042**.....page 313

\*Color code is different

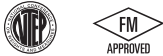
Specifications

- Full Scale Output:**  
2.0 mV/V
- Output Resistance:**  
350 (± 3) ohm
- Input Resistance:**  
350 ohm
- Material/Finish:**  
Anodized aluminum
- Temperature:**  
Compensated:  
14 °F to 104 °F (-10 °C to 40 °C)  
Operating:  
0 °F to 150 °F (-18 °C to 65 °C)
- Seal Type:**  
Environmentally sealed, IP67
- Safe Overload:**  
150% full scale
- Rated Excitation:**  
5 to 15 VDC
- Combined Error:**  
0.02% full scale
- Insulation Resistance:**  
5,000 megohm
- Deflection at Capacity:**  
0.015 in
- Cable Length:**  
3 m (9.8 ft)
- Cable Diameter:**  
0.190 in PVC jacket
- Cable Color Code:**  
Blue +Excitation  
Black -Excitation  
White +Signal  
Red -Signal  
Green +Sense  
Grey -Sense
- Warranty:**  
One-year limited
- Approvals:**  
FM  
NTEP  
OIML



Picture is a representation of actual product.

**Approvals**

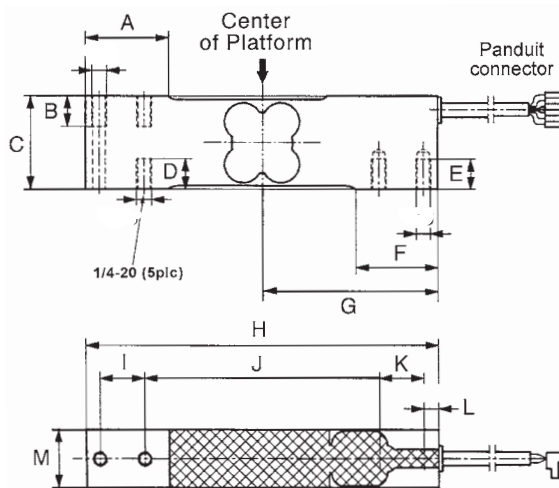


**Order Information**

Load Rating	Part #	Est. Weight	Price
15 kg	<b>76771</b>	3 lb	\$410.00
20 kg	<b>76772</b>	3 lb	\$410.00
50 kg	<b>76774</b>	3 lb	\$410.00
75 kg	<b>76775</b>	3 lb	\$410.00
100 kg	<b>76776</b>	3 lb	\$410.00
150 kg	<b>84820</b>	3 lb	\$410.00

**Dimensions**

Rated Capacity	A	B	C	D	E	F	G	H	I	J	K	L	M
kg/mm													
15 to 150	35.0	13.0	40.0	13.0	13.0	35.0	75.0	150.0	19.0	100.0	19.0	6.2	25.0



**Interchangeable Products**

- RICE LAKE WEIGHING SYSTEMS  
**RLPWM15**.....page 156
- VPG® TEDEA-HUNTLEIGH®  
**1142\*** .....page 318

\*Color code is different

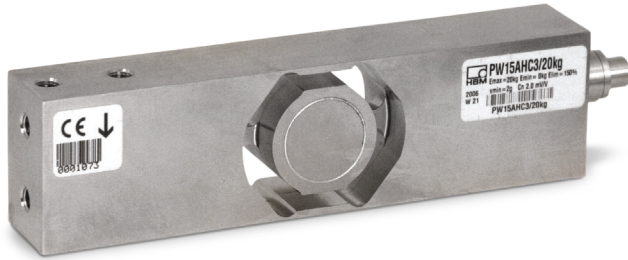
**Specifications**

- Full Scale Output:**  
2.0 mV/V
- Output Resistance:**  
359 (± 5) ohm
- Input Resistance:**  
380 (± 15) ohm
- Material/Finish:**  
Stainless steel
- Temperature:**  
Compensated:  
14 °F to 104 °F (-10 °C to 40 °C)  
Operating:  
0 °F to 150 °F (-18 °C to 65 °C)
- Seal Type:**  
Environmentally sealed, IP67
- Safe Overload:**  
150% full scale
- Rated Excitation:**  
5 to 15 VDC
- Total Error:**  
0.02% full scale
- Insulation Resistance:**  
1,000 megohm
- Deflection at Capacity:**  
0.2 mm
- Cable Length:**  
10 ft
- Cable Diameter:**  
0.190 in PVC jacket
- Cable Color Code:**  
Blue +Excitation  
Black -Excitation  
White +Signal  
Red -Signal  
Green +Sense  
Grey -Sense
- Warranty:**  
One-year limited
- Approvals:**  
FM  
NTEP



SINGLE POINT  
**PW15AH**

Stainless Steel, Hermetically Sealed, NTEP Certified 1:5,000 Class III Single Cell, OIML C3, IP69K



Picture is a representation of actual product.

Approvals

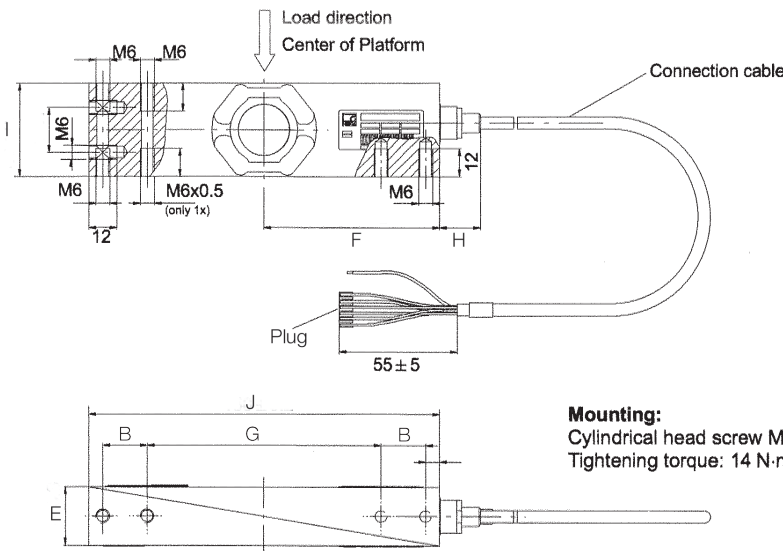


Order Information

Load Rating	Part #	Est. Weight	Price
10 kg	101915	3 lb	\$750.00
20 kg	101916	3 lb	\$750.00
50 kg	101917	3 lb	\$750.00
100 kg	101918	3 lb	\$750.00

Dimensions

Rated Capacity	B	E	F	G	H	I	J
kg/mm							
10 to 100	19.0	25.0	75.0	100.0	17.5	40.0	150.0



Interchangeable Products

RICE LAKE WEIGHING SYSTEMS  
**RLPWM15HE**.....page 155  
 FLINTEC®  
**PC4**..... page 217

Specifications

- Full Scale Output:**  
2.0 mV/V
- Output Resistance:**  
350 (± 10) ohm
- Input Resistance:**  
380 (± 15) ohm
- Material/Finish:**  
Stainless steel
- Temperature:**  
Compensated:  
14 °F to 104 °F (-10 °C to 40 °C)  
Operating:  
0 °F to 150 °F (-18 °C to 65 °C)
- Seal Type:**  
Hermetically sealed, IP69K
- Safe Overload:**  
150% full scale
- Rated Excitation:**  
5 to 15 VDC
- Combined Error:**  
0.02% full scale
- Insulation Resistance:**  
1,000 megohm
- Cable Length:**  
10 ft
- Cable Diameter:**  
0.212 in  
PVC jacket
- Cable Color Code:**  
Blue +Excitation  
Black -Excitation  
White +Signal  
Red -Signal  
Green +Sense  
Grey -Sense
- Warranty:**  
One-year limited
- Approvals:**  
NTEP  
OIML  
FM





Picture is a representation of actual product.

**Approvals**

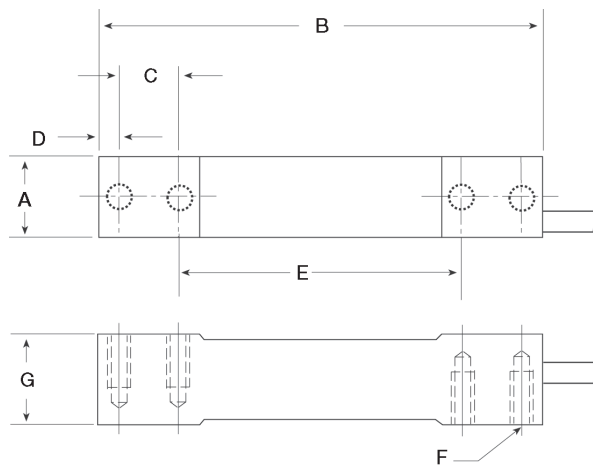


**Order Information**

Load Rating	Part #	Est. Weight	Price
7 kg	<b>36185</b>	2 lb	\$410.00
10 kg	<b>36186</b>	2 lb	\$410.00
15 kg	<b>36187</b>	2 lb	\$410.00
30 kg	<b>36188</b>	2 lb	\$410.00
60 kg	<b>36189</b>	2 lb	\$410.00
100 kg	<b>68551</b>	2 lb	\$410.00
150 kg	<b>69345</b>	2 lb	\$410.00

**Dimensions**

Rated Capacity	A	B	C	D	E	F	G
kg/mm							
7 to 15	30.2	139.7	19.1	6.4	88.9	1/4-20 UNC	19.1
30 to 60	30.2	139.7	19.1	6.4	88.9	1/4-20 UNC	23.9
100 to 150	30.2	139.7	22.3	7.8	79.2	3/8-16 UNC	30.7



**Interchangeable Products**

RICE LAKE WEIGHING SYSTEMS  
**RL1380**.....page 166

**Specifications**

**Full Scale Output:**

2.0 mV/V

**Output Resistance:**

359 (± 10) ohm

**Input Resistance:**

390 (± 15) ohm

**Material/Finish:**

Stainless steel

**Temperature:**

Compensated:

14 °F to 104 °F (-10 °C to 40 °C)

Operating:

0 °F to 150 °F (-18 °C to 65 °C)

**Seal Type:**

Environmentally sealed, IP67

**Safe Overload:**

150% full scale

**Rated Excitation:**

5 to 10 VDC (15 V maximum)

**Combined Error:**

0.03% full scale

**Insulation Resistance:**

5,000 megohm

**Deflection at Capacity:**

< 0.4 mm full scale

**Cable Length:**

10 ft

**Cable Diameter:**

0.190 in

Polyurethane jacket

**Cable Color Code:**

Green +Excitation

Black -Excitation

White +Signal

Red -Signal

Yellow Shield

**Warranty:**

One-year limited

**Approvals:**

FM

NTEP

OIML





### COMPRESSION DISK

#### Page 234 1200, ALLOY STEEL/ALUMINUM

---



Resistance to extraneous forces allows for high fatigue life, less stringent mounting alignment and lesser possibility of reading errors. This design permits smaller, portable and compact testing machines. Capacities range from 1,000 lb to 100,000 lb. Complete with 10 ft of load cell cable.

#### Page 235 3200, STAINLESS STEEL

---



Designed specifically for difficult applications in harsh environments, these units incorporate welded stainless steel diaphragms to resist corrosion and seal against moisture intrusion. These load cells provide high accuracy, resistance to off-center loads with minimum error, excellent temperature specifications and low height envelope for ease of installation. Capacities range from 5,000 lb to 100,000 lb. Complete with 20 ft of load cell cable.

### TENSION/COMPRESSION

#### Page 236 SML, LOW HEIGHT

---



This low height load cell is designed for tension and compression measurement. It features an anodized aluminum construction for capacities ranging from 5 lb to 300 lb. It is also available in stainless steel for capacities ranging from 500 lb to 2,000 lb. Features 5 ft of load cell cable.

#### Page 237 WMC, STAINLESS STEEL, ROD END

---



Constructed of stainless steel, environmentally sealed and designed for tension or compression. Capacities range from 15,000 lb to 200,000 lb.

#### Page 238 WMC MINIATURE SEALED, STAINLESS STEEL

---



Constructed from stainless steel in capacities ranging from 5 lb to 10,000 lb. The extremely miniature envelope allows for a wide variety of weighing applications in tension or compression. Features 5 ft of cable.

# 1200 Series

Low-Profile Alloy Steel/Aluminum, Environmentally Sealed, IP67



Picture is a representation of model 1211

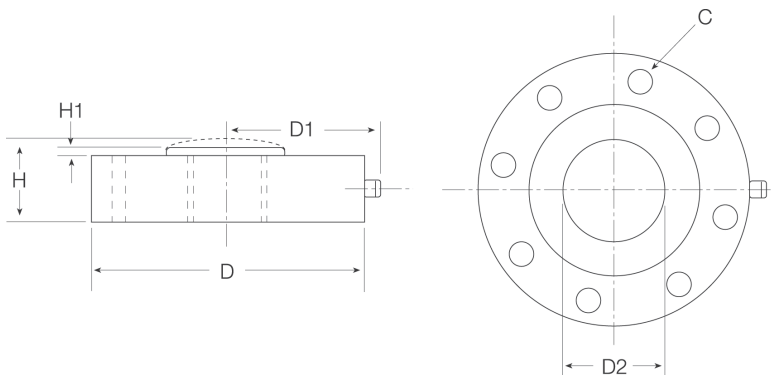
## Order Information

Load Rating	Part #	Est. Weight	Price
<b>Aluminum</b>			
<b>Model 1211</b>			
1,000 lb	36132	4 lb	\$1,282.00
2,000 lb	36133	4 lb	\$1,282.00
<b>Alloy Steel</b>			
<b>Model 1211</b>			
5,000 lb	36134	5 lb	\$1,405.00
10,000 lb	36135	5 lb	\$1,405.00
<b>Model 1221</b>			
25,000 lb	36136	8 lb	\$1,563.00
50,000 lb	36137	8 lb	\$1,563.00
<b>Model 1231</b>			
100,000 lb	36138	22 lb	\$2,465.00

Consult factory for load cell bases

## Dimensions

Rated Capacity	C	D	D1	D2	H	H1
lb/in						
1,000 to 10,000	0.28 dia 8 holes	4.12	2.63	1.34	1.37	0.12
25,000 to 50,000	0.34 dia 4 holes	4.75	2.95	1.57	1.75	0.12
100,000	0.47 dia 12 holes	7.50	4.32	3.12	2.25	0.25



## Specifications

**Full Scale Output:**

1,000 to 2,000 lb: 2.0 mV/V  
5,000 to 100,000 lb: 4.0 mV/V

**Bridge Resistance:**

350 ohm, nominal

**Material/Finish:**

1,000 to 2,000 lb: Aluminum  
5,000 to 100,000 lb: Alloy steel

**Temperature:**

Operating:  
0 °F to 150 °F (-18 °C to 65 °C)

**Seal Type:**

Environmentally sealed, IP67

**Safe Overload:**

150% full scale

**Rated Excitation:**

5 to 10 VDC (20 V maximum)

**Nonlinearity:**

0.05% full scale

**Hysteresis:**

0.02 to 0.04% full scale

**Insulation Resistance:**

5,000 megohm

**Cable Length:**

10 ft

**Cable Color Code:**

Red +Excitation  
Black -Excitation  
Green +Signal  
White -Signal

**Warranty:**

Two-year limited



Picture is a representation of model 3211

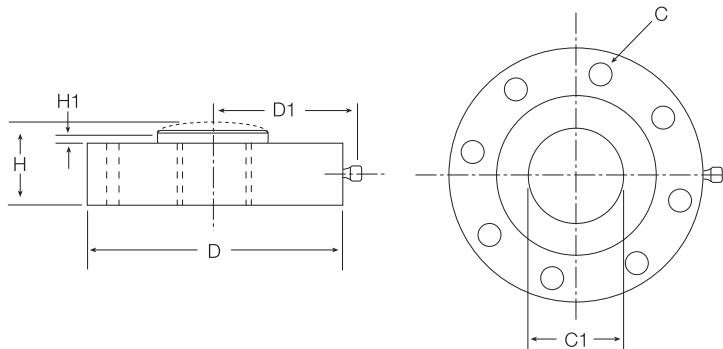
### Order Information

Load Rating	Part #	Est. Weight	Price
<b>Model 3211</b>			
5,000 lb	36140	5 lb	\$1,600.00
10,000 lb	36141	5 lb	\$1,600.00
<b>Model 3221</b>			
25,000 lb	36142	8 lb	\$1,813.00
50,000 lb	36143	8 lb	\$1,813.00
<b>Model 3231</b>			
100,000 lb	36144	10 lb	\$3,090.00

Consult factory for load cell bases

### Dimensions

Rated Capacity lb/in	C	C1	D	D1	H	H1
5,000 to 10,000	0.28 dia 8 holes	1.34	4.12	2.56	1.37	0.12
25,000 to 50,000	0.34 dia 4 holes	1.57	4.75	2.87	1.75	0.12
100,000	0.47 dia 12 holes	3.12	7.50	4.25	2.25	0.25



### Specifications

- Full Scale Output:**  
4.0 mV/V
- Bridge Resistance:**  
350 ohm nominal
- Material/Finish:**  
Stainless steel
- Temperature:**  
Operating:  
0 °F to 150 °F (-18 °C to 65 °C)
- Seal Type:**  
Hermetically sealed, IP66/68
- Safe Overload:**  
150% full scale
- Rated Excitation:**  
5 to 10 VDC (20 V maximum)
- Nonlinearity:**  
0.05% full scale
- Hysteresis:**  
0.04% full scale
- Insulation Resistance:**  
5,000 megohm
- Cable Length:**  
20 ft
- Cable Color Code:**  
Red +Excitation  
Black -Excitation  
Green +Signal  
White -Signal
- Warranty:**  
Two-year limited

# SML

Low-height, Aluminum / Stainless Steel



Picture is a representation of actual product

## Order Information

Load Rating	Part #	Est. Weight	Price
5 lb	185097	1 lb	\$843.00
10 lb	185098	1 lb	\$843.00
25 lb	185099	1 lb	\$630.00
50 lb	185100	1 lb	\$630.00
100 lb	185101	1 lb	\$630.00
200 lb	185102	1 lb	\$630.00
300 lb	185103	1 lb	\$630.00
500 lb	185104	1 lb	\$630.00
1,000 lb	185105	1 lb	\$843.00
2,000 lb	185106	1 lb	\$843.00

## Dimensions

Rated Capacity	A	B	C	D	E	F	G	H	I
lb/in									
5 to 10	1.80	0.52	0.73	0.90	10-32 UNF .20 deep	0.34	0.13	0.29	0.50
25 to 100	2.00	0.64	0.73	1.00	1/4-28 UNF .25 deep	0.46	0.13	0.38	0.50
200 to 1,000	2.12	0.89	0.98	1.06	3/8-24 UNF .38 deep	0.71	0.13	0.46	0.57
2,000	2.80	1.16	1.24	1.40	1/2-20 UNF .49 deep	1.00	0.13	0.75	0.77

## Specifications

**Full Scale Output:**

2.0 mV/V

**Bridge Resistance:**

350 ohm nominal

**Material/Finish:**

5 to 300 lb: Aluminum

500 to 2,000 lb: Stainless steel

**Temperature:**

Operating:

-65 °F to 200 °F (-54 °C to 93 °C)

**Safe Overload:**

5 to 10 lb: 800%

25 to 2,000 lb: 150%

**Rated Excitation:**

15 VDC maximum

**Nonlinearity:**

5 to 300 lb: ± 0.05% full scale

500 to 1,000 lb: ± 0.10% full scale

2,000 lb: ± 0.20% full scale

**Hysteresis:**

5 to 300 lb: ± 0.05% full scale

500 to 1,000 lb: ± 0.10% full scale

2,000 lb: ± 0.20% full scale

**Insulation Resistance:**

> 5,000 megohm

**Cable Length:**

5 ft

**Cable Color Code:**

Red +Excitation

Black -Excitation

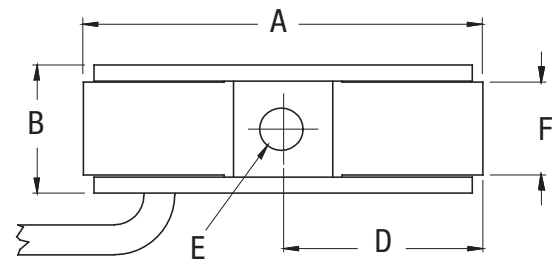
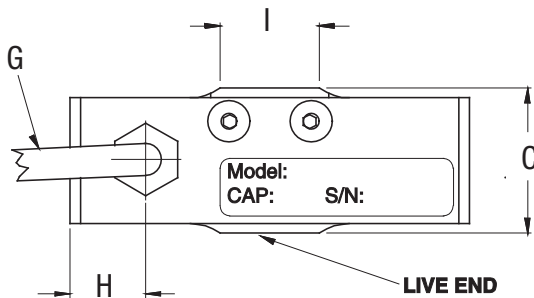
White +Signal

Green -Signal

**Warranty:**

One-year limited

INTERFACE®





Picture is a representation of actual product

## Specifications

### Full Scale Output:

2.0 mV/V

### Bridge Resistance:

350 ohm nominal

### Material/Finish:

Stainless steel

### Temperature:

Operating:  
-65 °F to 250 °F (-54 °C to 121 °C)

### Safe Overload:

150% full scale

### Rated Excitation:

15 VDC Max

### Nonlinearity:

15 to 30 k: ± 0.10% full scale  
100 k: ± 0.15% full scale  
200 k: ± 0.20% full scale

### Hysteresis:

± 0.15% full scale

### Insulation Resistance:

> 5,000 megohm

### Connector Pin Out:

A +Excitation  
B +Sense  
C -Excitation  
D -Sense  
E -Signal  
F +Signal

### Warranty:

One-year limited

## Order Information

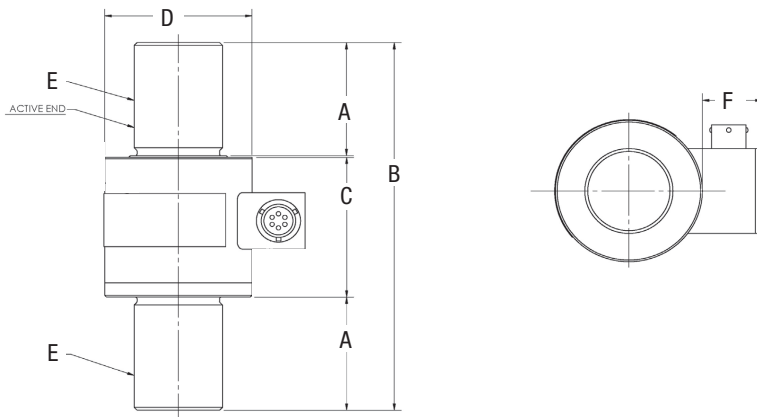
Load Rating	Part #	Est. Weight	Price
15,000 lb	<b>185079</b>	5 lb	\$2,040.00
20,000 lb	<b>185080</b>	5 lb	\$2,040.00
30,000 lb	<b>185081</b>	5 lb	\$2,040.00
50,000 lb	<b>185583</b>	5 lb	\$2,040.00
100,000 lb	<b>185082</b>	20 lb	\$3,705.00
200,000 lb	<b>185083</b>	40 lb	\$4,400.00

## Load Cell Cable Option

	Part #	Est. Weight	Price
10 ft cable with PT06A-10-6S (SR) connector	<b>185459</b>	2 lb	\$250.00

## Dimensions

Rated Capacity	A	B	C	D	E	F
15,000 to 50,000 lb/in	2.00	6.50	2.47	2.50	1.5-12 UNF	1.01
100,000	3.00	10.00	3.97	3.50	2.50-12 UNF	1.28
200,000	4.00	13.00	4.97	4.47	3.50-8 UNF	1.36



# WMC Miniature Sealed

Stainless Steel



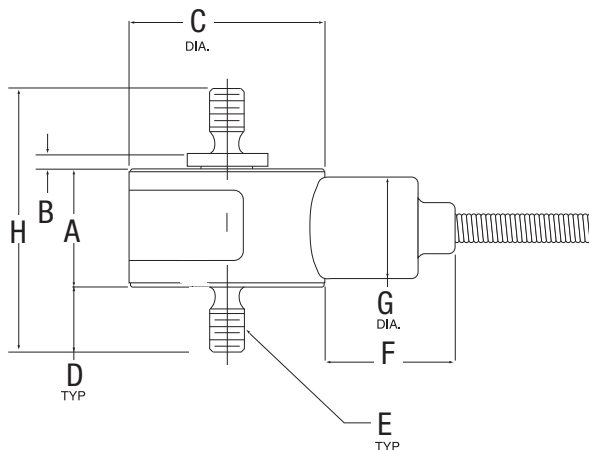
Picture is a representation of actual product

## Order Information

Load Rating	Part #	Est. Weight	Price
5 lb	185090	1 lb	\$1,373.00
10 lb	185091	1 lb	\$1,373.00
25 lb	185092	1 lb	\$1,267.00
50 lb	185093	1 lb	\$1,267.00
100 lb	185094	1 lb	\$1,267.00
250 lb	185095	1 lb	\$1,267.00
500 lb	185096	1 lb	\$1,267.00
1,000 lb	185084	1 lb	\$1,267.00
2,000 lb	185085	1 lb	\$1,373.00
3,000 lb	185086	1 lb	\$1,373.00
5,000 lb	185087	1 lb	\$1,373.00
7,500 lb	185088	1 lb	\$1,373.00
10,000 lb	185089	1 lb	\$1,373.00

## Dimensions

Rated Capacity	A	B	C	D	E	F	G	H
lb/in								
5 to 10	0.45	0.06	0.75	0.25	6-32 UNC	0.50	0.39	1.01
25 to 100	0.52	0.03	1.00	0.25	10-32 UNF	0.50	0.39	1.05
250 to 500	0.53	0.03	1.00	0.38	1/4-28 UNF	0.50	0.39	1.32
1,000	0.53	0.03	1.00	0.38	0.25-28 UNF	0.50	0.39	1.32
2,000 to 3,000	0.72	0.03	1.00	0.50	0.38-24 UNF	0.50	0.39	1.75
5,000	0.94	0.03	1.25	0.63	0.50-20 UNF	0.50	0.39	2.23
7,500 to 10,000	1.09	0.03	1.38	0.88	0.75-16 UNF	0.50	0.39	2.88



## Specifications

**Full Scale Output:**

2.0 mV/V

**Bridge Resistance:**

350 ohm nominal

**Material/Finish:**

Stainless steel

**Temperature:**Operating:  
-65 °F to 250 °F (-54 °C to 121 °C)**Safe Overload:**

150% full scale

**Rated Excitation:**

12 VDC

**Nonlinearity:**5 to 500 lb: ± 0.15% full scale  
1,000 to 10,000 lb: ± 0.20% full scale**Hysteresis:**5 to 500 lb: ± 0.15% full scale  
1,000 to 10,000 lb: ± 0.20% full scale**Insulation Resistance:**

&gt; 5,000 megohm

**Cable Length:**

5 ft

**Cable Color Code:**Red +Excitation  
Black -Excitation  
White +Signal  
Green -Signal**Warranty:**

One-year limited



# VPG Revere

## TABLE OF CONTENTS

### S-BEAMS

Page 243

**363, ALLOY STEEL**



S-beam type load cell with a compact and economical design. Ideally suited for scale conversions and general-purpose weighing. NTEP Certified capacities range from 100 lb to 10,000 lb; non-NTEP Certified capacity of 50 lb. Complete with 20 ft of load cell cable.



Page 244

**9363, STAINLESS STEEL**



A stainless steel S-beam type load cell with trimmed outputs for easy installation. Compact and economical design, ideally suited for scale conversions and general-purpose weighing. NTEP Certified capacities range from 100 lb to 10,000 lb; non-NTEP Certified capacity of 50 lb, 15,000 lb and 20,000 lb. Complete with 20 ft of load cell cable. Trimmed outputs makes installation easy.



Page 245

**BSP, STAINLESS STEEL**



Welded-seal stainless steel S-beam load cell designed for compression and tension. Ideal for scale conversions and general-purpose weighing. NTEP Certified capacities range from 100 lb to 5,000 lb; non-NTEP Certified capacity of 10,000 lb. Complete with 30 ft of load cell cable.



### SINGLE-ENDED BEAMS

Page 246

**5123, ALLOY STEEL**



Low-cost, high performance, single-ended beam designed for low-profile scales and process weighing in both Legal for Trade and non-Legal for Trade applications. Capacities range from 1,000 lb to 10,000 lb. Complete with 20 ft of load cell cable.



Page 247

**9123, STAINLESS STEEL**



Single-ended stainless steel beam designed for low-profile scales and process weighing in both Legal for Trade and non-Legal for Trade applications. Capacities range from 250 lb to 20,000 lb. Complete with 20 ft of load cell cable.



Page 248

**9523, STAINLESS STEEL**



Single-ended beam offers both welded sealing and stainless steel construction for use in most hostile environments. Applications include platform scales and process weighing. Capacities range from 1,000 lb to 10,000 lb.



Page 249

**ACB, STAINLESS STEEL**



Hermetically sealed, stainless steel, single-ended shear beam load cell utilizing a 1,000 ohm bridge. Capacities range from 500 kg to 5,000 kg.



Page 250

**9102, STAINLESS STEEL**



A form, fit and function match for the VPG® Revere 5102. It is constructed of stainless steel and ideally suited for the toughest industrial applications where high accuracy and low profile are required. Capacities range from 200 lb to 2,500 lb. Complete with 10 ft of load cell cable.



# VPG Revere

## SINGLE-ENDED BEAMS

Page 251

### 5102, ALLOY STEEL



Its high accuracy, low profile and redundant sealing make the 5102 well suited for use in small and medium platform scales, and process applications in harsh environments. Capacities range from 50 lb to 2,500 lb. Complete with 10 ft of load cell cable.

Page 252

### 5723 LINK BEAM, ALLOY STEEL



High-performance beam uses a well-proven link-loading technique. This low-cost and flexible loading method allows load movement without reading error in tanks, hoppers and platform scales. Capacities range from 1,000 lb to 10,000 lb.



Page 253

### SHB, STAINLESS STEEL



Constructed of stainless steel and features a welded seal for tough industrial environments where high accuracy and low profiles are required. Capacities range from 20 kg to 200 kg. Complete with 10 ft of load cell cable.



Page 254

### SSB, STAINLESS STEEL



Rugged and precise, this single-ended beam offers welded seal protection and stainless steel construction. Designed for use in the most hostile environments. Applications include platform scales, materials testing and process weighing. NTEP Certified capacities range from 1,000 lb to 10,000 lb.



## DOUBLE-ENDED BEAMS

Page 255

### 5103, ALLOY STEEL



Designed for truck, track and process weighing. High accuracy, low profile, tolerance to non-axial loading and redundant seal. NTEP Certified capacities range from 5,000 lb to 250,000 lb. Complete with 30 ft of load cell cable.



Page 256

### 9103, STAINLESS STEEL



Stainless steel double-ended beam designed for truck, track and process weighing. High accuracy, low profile and tolerance to non-axial loading and redundant seal. NTEP Certified capacities range from 10,000 lb to 100,000 lb; non-NTEP Certified capacities of 5,000 lb and 150,000 lb. Complete with 30 ft of load cell cable.



Page 257

### 5223, ALLOY STEEL



Very high performance end-loaded, center-supported double-ended beam designed for low-profile track and truck scales in harsh environments. Parallel link loading provides free movement in all horizontal directions with virtually no friction. Capacities range from 50,000 lb to 100,000 lb. Complete with 40 ft of load cell cable. Optional overbraid available.



Page 258

### 9223, STAINLESS STEEL



High-profile, high accuracy compression type load cell for truck, tank, track and hopper applications. Ideally suited for harsh environments. Each cell comes with 40 ft of load cell cable. Available in 50,000 lb and 125,000 lb capacities.



## DOUBLE-ENDED BEAMS

Page 259

### 9803, STAINLESS STEEL



This center loaded double-ended beam features full stainless steel construction. Ideal for both truck scale and process weighing applications. Available in 50,000 lb to 100,000 lb capacities. Each unit is provided with standard 30 ft of load cell cable.



Page 260

### 9323, STAINLESS STEEL



Very high performance end-loaded, center-supported double-ended beam designed for low-profile track and truck scales in harsh environments. Parallel link loading provides free movement in all horizontal directions with virtually no friction. Available in 50,000 lb and 60,000 lb with 30 ft of load cell cable.



Page 261

### 9423, STAINLESS STEEL



Designed for low-profile track and truck scales in harsh environments. Parallel link loading provides free movement in all horizontal directions with virtually no friction. High-performance end-loaded, center-supported double-ended beam, available in 50,000 lb and 60,000 lb. Complete with 30 ft of load cell cable.



## COMPRESSION CANISTERS

Page 262

### ASC, STAINLESS STEEL



A stainless steel, hermetically sealed, single-column compression load cell. An IP68 rating, combined with built-in surge protection, ensures the unit is well-protected. Capacities ranging from 30 T to 50 T, OIML approved and comes with 15 m of load cell cable.



Page 263

### RLC, STAINLESS STEEL



A low profile, high performance ring torsion type load cell in stainless steel. This product is suitable for small and medium platform scales as well as process weighing. Capacities range from 0.25 T to 10 T.



Page 264

### CP, STAINLESS STEEL



This welded-seal, canister cell is designed for compression service only. High-capacity transducers are built for reliability, durability and extreme precision. Compression Precision (CP) cells are recommended for most industrial applications. Single bridge available for 10,000 lb to 500,000 lb capacities, dual bridges available upon request. Complete with 30 ft of load cell cable.



Page 265

### CSP, STAINLESS STEEL



This welded-seal, stainless steel canister cell is designed for compression service only. High-capacity transducers are built for reliability, durability and extreme precision. Ideal for applications where ultimate precision is needed. NTEP Certified capacities range from 25,000 lb to 200,000 lb.



Page 266

### 792, STAINLESS STEEL



Single-column design with low deflection and welded-seal for easy operation. High-alloy steel, epoxy coated for use in harsh environments. Capacities range from 50,000 lb to 200,000 lb. Complete with 35 ft of Polyurethane cable.



# VPG Revere

## SINGLE POINTS

Page 267

### 462, ALLOY STEEL



Very high-performance single-point cell designed for high-precision counter scales. Resistant to moisture and severe impact loading. Capacities range from 2 lb to 250 lb. Complete with 10 ft of load cell cable.



Page 268

### HPS, STAINLESS STEEL



This stainless steel, welded-seal, low-profile single-point load cell is designed for bench scale and checkweigher applications in caustic/acidic environments. Insensitive to off-center loading and tolerates most severe washdowns. Comes complete with 10 ft of load cell cable.



Page 269

### HPSM, STAINLESS STEEL



Low-profile single-point load cell with metric envelope designed for bench scale and checkweigher applications in caustic/acidic environments. Insensitive to off-center loading. Tolerates most severe washdowns. Capacities range from 6 kg to 30 kg. Includes 20 ft of load cell cable.



AXLE SCALE  
LOAD CELL

Page 270

### AX3040, ALLOY STEEL



Constructed of alloy steel, environmentally sealed and used in the AX3040 axle scale.



Picture is a representation of actual product

**Approvals**

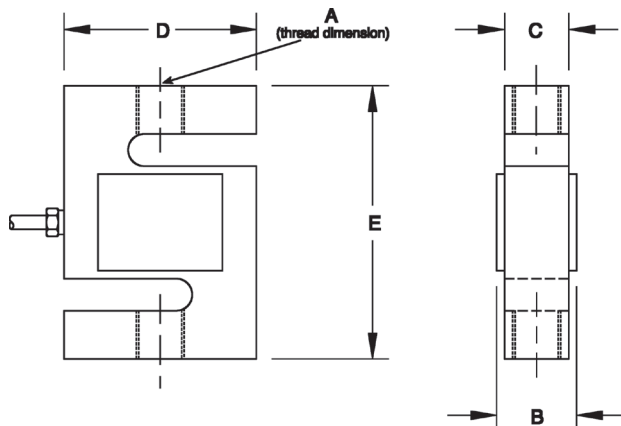


**Order Information**

Load Rating	Part #	Est. Weight	Price
<b>NTEP Certified</b>			
100 lb	21463	2 lb	\$312.00
200 lb	21464	2 lb	\$312.00
300 lb	21465	2 lb	\$312.00
500 lb	21466	2 lb	\$312.00
750 lb	21467	2 lb	\$312.00
1,000 lb	21468	2 lb	\$312.00
1,500 lb	21469	2 lb	\$312.00
2,000 lb	21470	2 lb	\$312.00
3,000 lb	21471	4 lb	\$312.00
5,000 lb	21472	4 lb	\$493.00
10,000 lb	21473	4 lb	\$493.00
<b>Non-NTEP Certified</b>			
50 lb	17043	2 lb	\$312.00

**Dimensions**

Rated Capacity	A	B	C	D	E
50 to 300 lb/in	1/4-28 UNF	0.65	0.50	2.00	2.50
500 to 1,500	1/2-20 UNF	0.90	0.75	2.00	2.50
2,000	1/2-20 UNF	1.15	1.00	2.00	2.50
3,000	1/2-20 UNF	1.15	1.00	3.00	4.00
5,000 to 10,000	3/4-16 UNF	1.15	1.00	3.00	4.00



**Interchangeable Products**

RICE LAKE WEIGHING SYSTEMS  
**RL20000I**..... page 96

**Weigh Module Available**

RICE LAKE WEIGHING SYSTEMS  
**ITCM Isolated Tension Cell Mount**..... page 38

**Specifications**

**Full Scale Output:**

3.0 mV/V

**Output Resistance:**

350 (± 3.5) ohm

**Input Resistance:**

390 (± 15) ohm

**Material/Finish:**

High alloy, nickel plated

**Temperature:**

Compensated:  
14 °F to 104 °F (-10 °C to 40 °C)

Operating:  
0 °F to 150 °F (-18 °C to 65 °C)

**Seal Type:**

Environmentally sealed, IP67

**Safe Overload:**

150% full scale

**Rated Excitation:**

5 to 10 VDC (15 V maximum)

**Combined Error:**

0.02% full scale

**Non-repeatability:**

0.01% full scale

**Insulation Resistance:**

5,000 megohm

**Cable Length:**

20 ft

**Cable Color Code:**

Red +Excitation  
Black -Excitation

Green +Signal  
White -Signal

**Warranty:**

One-year limited

**Approvals:**

cFMus

NTEP





Picture is a representation of actual product

Approvals

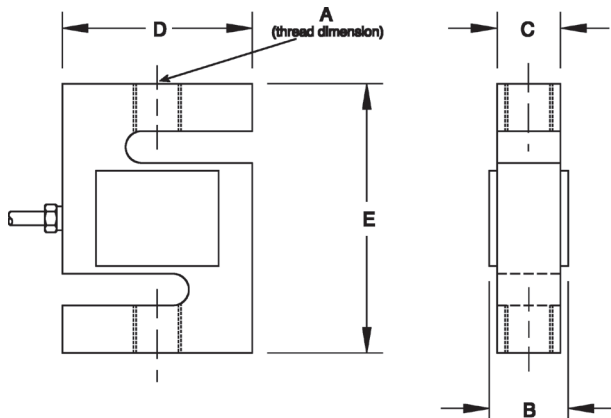


Order Information

Load Rating	Part #	Est. Weight	Price
<b>NTEP Certified</b>			
100 lb	31317	2 lb	\$312.00
200 lb	31316	2 lb	\$312.00
300 lb	31315	2 lb	\$312.00
500 lb	31314	2 lb	\$312.00
750 lb	31313	2 lb	\$312.00
1,000 lb	31312	2 lb	\$312.00
1,500 lb	31311	2 lb	\$312.00
2,000 lb	31310	2 lb	\$312.00
2,500 lb	98875	3 lb	\$312.00
3,000 lb	31309	4 lb	\$418.00
5,000 lb	31318	4 lb	\$503.00
10,000 lb	31308	4 lb	\$583.00
<b>Non-NTEP Certified</b>			
50 lb	17076	2 lb	\$312.00
15,000 lb	165260	7 lb	\$715.00
20,000 lb	165261	13 lb	\$948.00

Dimensions

Rated Capacity	A	B	C	D	E
lb/in					
50 to 300	1/4-28 UNF	0.65	0.46	2.00	2.40
500 to 1,500	1/2-20 UNF	0.90	0.71	2.00	2.40
2,000 to 2,500	1/2-20 UNF	1.13	0.96	2.00	2.40
3,000	1/2-20 UNF	1.13	0.96	3.00	3.90
5,000	3/4-16 UNF	1.15	0.96	3.00	3.90
10,000	3/4-16 UNF	1.40	1.21	2.94	3.90
15,000	1-14 UNS	1.63	1.46	3.44	5.50
20,000	1 1/4-12 UNF	1.88	1.68	4.44	7.00



Interchangeable Products

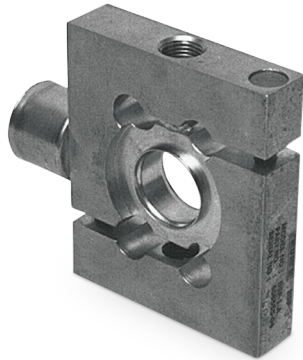
- RICE LAKE WEIGHING SYSTEMS  
**RL20000SS** .....page 97
- RICE LAKE WEIGHING SYSTEMS  
**RL20000ST** ..... page 98

Weigh Module Available

- RICE LAKE WEIGHING SYSTEMS  
**ITCM Isolated Tension Cell Mount**..... page 38

Specifications

- Full Scale Output:**  
3.0 mV/V
- Output Resistance:**  
350 (± 3.5) ohm
- Input Resistance:**  
390 (± 15) ohm
- Material/Finish:**  
Stainless steel
- Temperature:**  
Compensated:  
14 °F to 104 °F (-10 °C to 40 °C)  
Operating:  
0 °F to 150 °F (-18 °C to 65 °C)
- Seal Type:**  
Environmentally sealed, IP67
- Safe Overload:**  
150% full scale
- Rated Excitation:**  
5 to 10 VDC (15 V maximum)
- Combined Error:**  
0.025% full scale
- Non-repeatability:**  
0.01% full scale
- Insulation Resistance:**  
5,000 megohm
- Cable Length:**  
20 ft
- Cable Color Code:**  
Red +Excitation  
Black -Excitation  
Green +Signal  
White -Signal
- Warranty:**  
One-year limited
- Approvals:**  
cFMus  
NTEP



Picture is a representation of actual product

**Approvals**

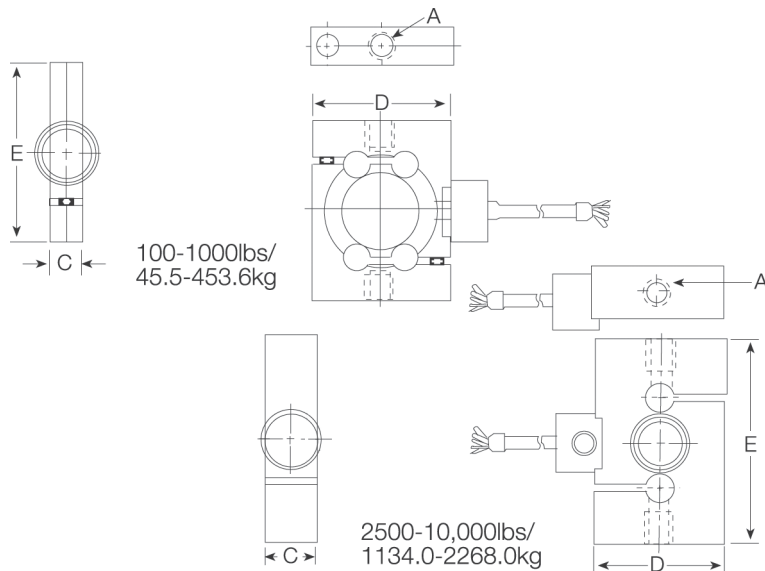


**Order Information**

Load Rating	Part #	Est. Weight	Price
<b>NTEP Certified</b>			
100 lb	21447	3 lb	\$948.00
250 lb	21448	3 lb	\$948.00
500 lb	21449	3 lb	\$948.00
1,000 lb	21450	3 lb	\$948.00
2,500 lb	21451	4 lb	\$980.00
5,000 lb	21452	6 lb	\$1,007.00
<b>Non-NTEP Certified</b>			
10,000 lb	17032	6 lb	\$1,007.00

**Dimensions**

Rated Capacity	A	C	D	E
100 to 250 lb/in	3/8-24 UNF	0.94	2.48	3.32
500	1/2-20 UNF	0.71	2.44	3.50
1,000	1/2-20 UNF	0.71	2.44	3.50
2,500	1/2-20 UNF	0.95	2.44	3.75
5,000 to 10,000	1-14 UNS	1.44	2.44	4.75



**Weigh Module Available**

RICE LAKE WEIGHING SYSTEMS  
**ITCM Isolated  
Tension Cell Mount..... page 38**

**Specifications**

- Full Scale Output:**  
3.0 mV/V
- Output Resistance:**  
350 (± 3.5) ohm
- Input Resistance:**  
350 (± 3.5) ohm
- Material/Finish:**  
Stainless steel
- Temperature:**  
Compensated:  
14 °F to 104 °F (-10 °C to 40 °C)  
Operating:  
0 °F to 150 °F (-18 °C to 65 °C)
- Seal Type:**  
Welded-seal, IP67
- Safe Overload:**  
150% full scale
- Rated Excitation:**  
5 to 10 VDC (15 V maximum)
- Combined Error:**  
0.03% full scale
- Non-repeatability:**  
0.01% full scale
- Insulation Resistance:**  
5,000 megohm
- Cable Length:**  
30 ft
- Cable Color Code:**  
Green +Excitation  
Black -Excitation  
White +Signal  
Red -Signal
- Warranty:**  
One-year limited
- Approvals:**  
cFMus  
NTEP

**VPG® REVERSE**

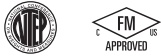
# 5123

Alloy Steel, Environmentally Sealed, NTEP Certified 1:5,000 Class III Multiple Cell, IP67



Picture is a representation of actual product

### Approvals

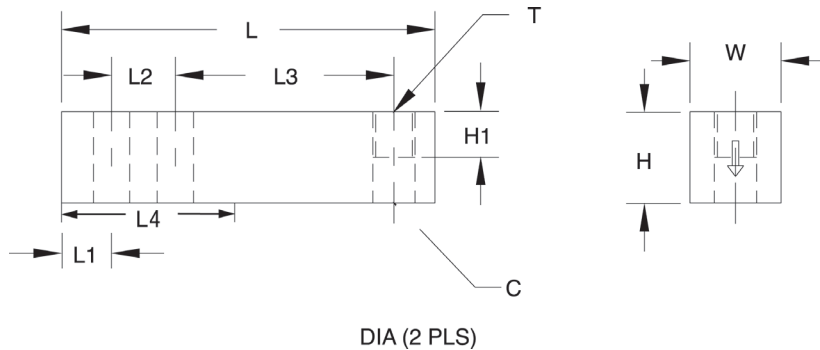


### Order Information

Load Rating	Part #	Est. Weight	Price
1,000 lb	21516	3 lb	\$312.00
2,500 lb	21517	3 lb	\$312.00
4,000 lb	21518	3 lb	\$312.00
5,000 lb	21519	8 lb	\$398.00
10,000 lb	21520	8 lb	\$398.00

### Dimensions

Rated Capacity	C	H	H1	L	L1	L2	L3	L4	T	W
1,000 to 4,000	0.53	1.25	0.62	5.12	0.62	1.00	3.00	2.25	1/2-20 UNF	1.25
5,000 to 10,000	0.78	1.50	0.75	6.75	0.75	1.50	3.75	3.12	3/4-16 UNF	1.50



### Interchangeable Products

- RICE LAKE WEIGHING SYSTEMS  
**RL30000I**.....page 112
- RICE LAKE WEIGHING SYSTEMS  
**RL32018**.....page 104
- VPG® TEDEA-HUNTLEIGH®  
**3411**.....page 306
- ARTECH®  
**30310**

### Weigh Module Available

- RICE LAKE WEIGHING SYSTEMS  
**RL50210TA**.....page 41
- RICE LAKE WEIGHING SYSTEMS  
**RL1800 Series**.....page 52

### Specifications

- Full Scale Output:**  
3.0 mV/V
- Output Resistance:**  
352 (± 3) ohm
- Input Resistance:**  
350 (± 7) ohm
- Material/Finish:**  
Alloy steel, nickel plated
- Temperature:**  
Compensated:  
14 °F to 104 °F (-10 °C to 40 °C)  
Operating:  
0 °F to 150 °F (-18 °C to 65 °C)
- Seal Type:**  
Environmentally sealed, IP67
- Safe Overload:**  
150% full scale
- Safe Sideload:**  
100% full scale
- Rated Excitation:**  
5 to 10 VDC (15 V maximum)
- Combined Error:**  
0.025% full scale
- Non-repeatability:**  
0.01% full scale
- Insulation Resistance:**  
1,000 megohm
- Deflection at Capacity:**  
1,000 lb: 0.016 in  
2,500 lb: 0.03 in  
4,000 lb: 0.04 in  
5,000 lb: 0.035 in  
10,000 lb: 0.042 in
- Cable Length:**  
20 ft
- Cable Color Code:**  
Red +Excitation  
Black -Excitation  
Green +Signal  
White -Signal
- Warranty:**  
One-year limited
- Approvals:**  
cFMus  
NTEP

VPG® REVERE





Picture is a representation of actual product

Pictured with integral foot for 250lb-2,000lb

Approvals



Order Information

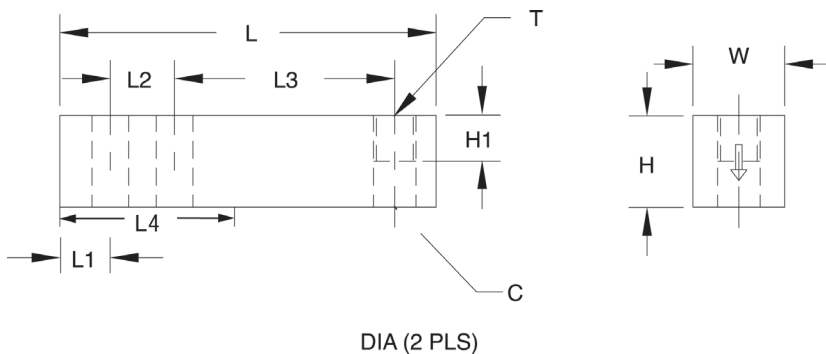
Load Rating	Part #	Est. Weight	Price
<b>NTEP Certified</b>			
250 lb*	69380	3 lb	\$312.00
500 lb*	69381	3 lb	\$312.00
1,000 lb*	69382	3 lb	\$312.00
2,000 lb*	99314	3 lb	\$312.00
2,500 lb	69383	3 lb	\$312.00
4,000 lb	69384	3 lb	\$312.00
5,000 lb SE	69385	3 lb	\$312.00
5,000 lb LE	69386	8 lb	\$398.00
10,000 lb	69387	8 lb	\$398.00
15,000 lb	69388	8 lb	\$683.00
20,000 lb	69389	9 lb	\$683.00
<b>Conduit Adapters (must be factory installed to maintain warranty)</b>			
1/4-18 NPT	31534	1 lb	\$37.00

SE=small envelope; LE=large envelope

\* Load cell has an integral foot

Dimensions

Rated Capacity	C	H	H1	L	L1	L2	L3	L4	T	W
lb/in										
250 to 5,000 SE	0.53	1.23	0.67	5.12	0.62	1.00	3.00	2.25	1/2-20 UNF	1.23
5,000 LE to 15,000	0.78	1.45	0.70	6.75	0.75	1.50	3.75	3.12	3/4-16 UNF	1.50
20,000	1.06	1.95	0.98	8.75	1.00	2.00	4.75	4.00	1-12 UNF	1.95



Interchangeable Products

- RICE LAKE WEIGHING SYSTEMS  
**RL39123\*\*** .....page 115
- RICE LAKE WEIGHING SYSTEMS  
**RL32018S** .....page 106
- RICE LAKE WEIGHING SYSTEMS  
**RL32018S-HE**.....page 108

Weigh Module Available

- RICE LAKE WEIGHING SYSTEMS  
**RL50210TA**.....page 41
- RICE LAKE WEIGHING SYSTEMS  
**RL1800 Series**..... page 52

\*\* Non-NTEP Certified

Specifications

- Full Scale Output:**  
3.0 mV/V
- Output Resistance:**  
350 (± 3.5) ohm
- Input Resistance:**  
350 (± 3.5) ohm
- Material/Finish:**  
Stainless steel
- Temperature:**  
Compensated:  
0 °F to 150 °F (-18 °C to 65 °C)  
Operating:  
0 °F to 150 °F (-18 °C to 65 °C)
- Seal Type:**  
Environmentally sealed, IP67
- Safe Overload:**  
150% full scale
- Safe Sideload:**  
100% full scale
- Rated Excitation:**  
5 to 10 VDC (15 V maximum)
- Combined Error:**  
0.02% full scale
- Non-repeatability:**  
0.01% full scale
- Insulation Resistance:**  
5,000 megohm
- Cable Length:**  
20 ft
- Cable Color Code:**  
Red +Excitation  
Black -Excitation  
Green +Signal  
White -Signal
- Warranty:**  
One-year limited
- Approvals:**  
cFMus  
NTEP

# 9523

Stainless Steel, Welded-seal, IP67



Picture is a representation of actual product

### Approvals

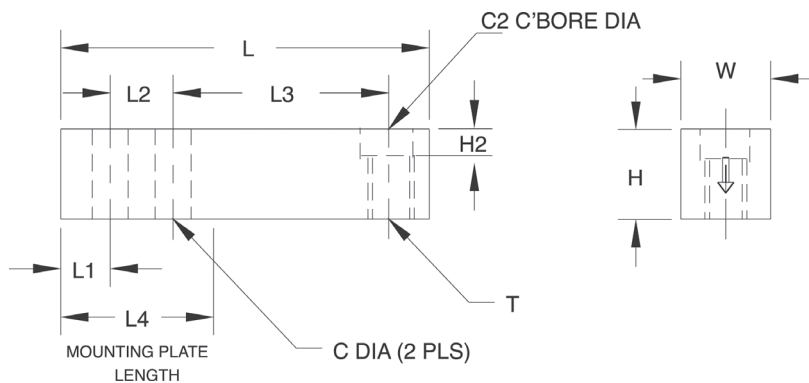


### Order Information

Load Rating	Part #	Est. Weight	Price
1,000 lb	17221	3 lb	\$577.00
2,500 lb	17222	3 lb	\$577.00
4,000 lb	17223	3 lb	\$577.00
5,000 lb	17224	5 lb	\$636.00
10,000 lb	17225	5 lb	\$662.00

### Dimensions

Rated Capacity lb/in	C	C2	H	H2	L	L1	L2	L3	L4	T	W
1,000 to 4,000	0.53	0.81	1.25	0.56	6.12	1.62	1.00	3.00	3.38	1/2-20 UNF	1.25
5,000 to 10,000	0.78	1.19	1.50	0.59	7.71	1.71	1.50	3.75	4.08	3/4-16 UNF	1.50



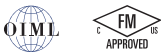
### Specifications

- Full Scale Output:**  
3.0 mV/V
- Output Resistance:**  
350 (± 3.5) ohm
- Input Resistance:**  
350 (± 3.5) ohm
- Material/Finish:**  
Stainless steel
- Temperature:**  
Operating:  
0 °F to 150 °F (-18 °C to 65 °C)
- Seal Type:**  
Welded-seal, IP67
- Safe Overload:**  
150% full scale
- Safe Sideload:**  
100% full scale
- Rated Excitation:**  
5 to 10 VDC (15 V maximum)
- Non-repeatability:**  
0.01% full scale
- Combined Error:**  
0.03% full scale
- Insulation Resistance:**  
5,000 megohm
- Deflection at Capacity:**  
1,000 lb: 0.016 in  
2,500 lb: 0.03 in  
4,000 lb: 0.041 in  
5,000 lb: 0.035 in  
10,000 lb: 0.042 in
- Cable Length:**  
20 ft
- Cable Color Code:**  
Red +Excitation  
Black -Excitation  
Green +Signal  
White -Signal
- Warranty:**  
One-year limited
- Approvals:**  
cFMus



Picture is a representation of actual product

### Approvals

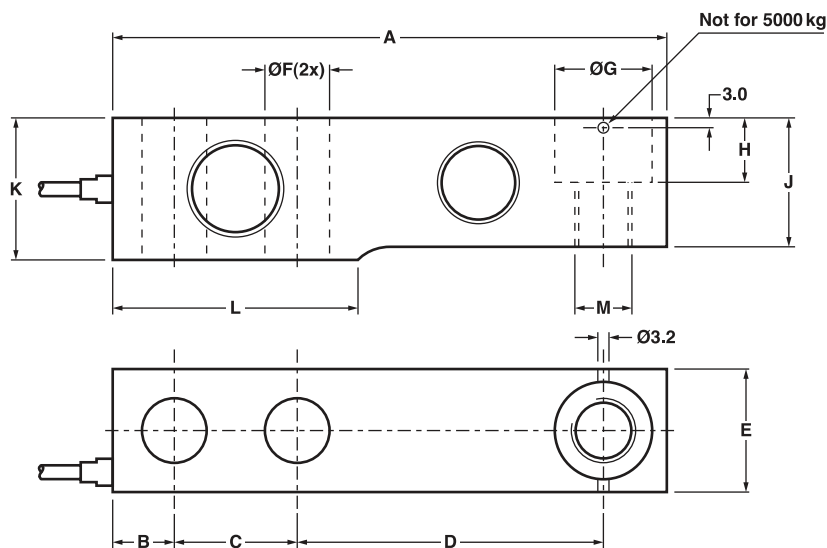


### Order Information

Load Rating	Part #	Est. Weight	Price
500 kg	<b>166750</b>	2 lb	\$344.00
1,000 kg	<b>166751</b>	2 lb	\$344.00
2,000 kg	<b>166752</b>	3 lb	\$344.00
5,000 kg	<b>166753</b>	4 lb	\$477.00

### Dimensions

Rated Capacity	A	B	C	D	E	F	G	H	J	K	L	M
kg/mm												
500	130.0	15.5	25.4	76.2	31.8	13.0	20.5	14.2	26	31.8	57.1	M12
1,000	130.0	15.5	25.4	76.2	31.8	13.0	20.5	14.2	28	31.8	57.1	M12
2,000	130.0	15.5	25.4	76.2	31.8	13.0	20.5	14.2	32	35.8	57.1	M12
5,000	172.0	19.1	38.1	95.3	38.0	20.5	30.2	20.0	40	44.0	76.2	M20



### Specifications

#### Full Scale Output:

2mV/V

#### Output Resistance:

1,000 (± 10) ohm

#### Input Resistance:

1,000 (± 50) ohm

#### Material/Finish:

Stainless steel

#### Temperature:

Compensated:

14 °F to 104 °F (-10 °C to 40 °C)

Operating:

0 °F to 150 °F (-18 °C to 65 °C)

#### Seal Type:

Hermetically sealed, IP68

#### Safe Overload:

150% full scale

#### Rated Excitation:

5 to 12 VDC

#### Combined Error:

0.02%

#### Insulation Resistance:

5,000 megohm

#### Cable Length:

500 to 1,000 kg: 3 m

2,000 to 5,000 kg: 6 m

#### Cable Color Code:

Green +Excitation

Black -Excitation

White +Signal

Red -Signal

Yellow +Sense

Blue -Sense

#### Warranty:

One-year limited

#### Approvals:

cFMus

OIML

# 9102

Stainless Steel, Welded-seal, NTEP Certified 1:5,000 Class III Multiple Cell, IP66/68



Picture is a representation of actual product

### Approvals

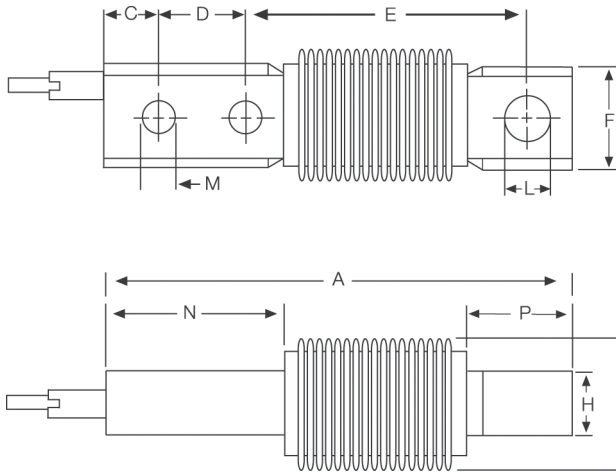


### Order Information

Load Rating	Part #	Est. Weight	Price
200 lb	40917	2 lb	\$842.00
500 lb	40918	2 lb	\$842.00
1,000 lb	40919	2 lb	\$842.00
2,500 lb	40920	2 lb	\$842.00

### Dimensions

Rated Capacity	A	B	C	D	E	F	H	L	M	N	P
lb/in											
200	5.00	1.53	0.38	0.62	3.50	1.22	0.75	0.39	0.27	1.50	1.25
500 to 1,000	5.38	1.53	0.62	1.00	3.25	1.22	0.75	0.40	0.40	2.07	1.20
2,500	5.38	1.53	0.62	1.00	3.25	1.22	0.75	0.53	0.40	2.07	1.20



### Interchangeable Products

VPG® REVERE

5102 ..... page 251

### Specifications

**Full Scale Output:**

2.0 mV/V

**Output Resistance:**

350 (± 3.5) ohm

**Input Resistance:**

350 (± 3.5) ohm

**Material/Finish:**

Stainless steel

**Temperature:**

Compensated:

14 °F to 104 °F (-10 °C to 40 °C)

Operating:

0 °F to 150 °F (-18 °C to 65 °C)

**Seal Type:**

Welded-seal, IP66/68

**Safe Overload:**

150% full scale

**Rated Excitation:**

5 to 10 VDC (15 V maximum)

**Combined Error:**

0.03% full scale

**Non-repeatability:**

0.01% full scale

**Insulation Resistance:**

5,000 megohm

**Deflection at Capacity:**

200 lb: 0.020 in

500 to 2,500 lb: 0.026 in

**Cable Length:**

10 ft

**Cable Color Code:**

Red +Excitation

Black -Excitation

Green +Signal

White -Signal

**Warranty:**

One-year limited

**Approvals:**

cFMus

NTEP



Picture is a representation of actual product

### Interchangeable Products

VPG® REVERE

**9102** ..... page 250

### Specifications

**Full Scale Output:**

2.0 mV/V

**Output Resistance:**

350 (± 3.5) ohm

**Input Resistance:**

350 (± 3.5) ohm

**Material/Finish:**

High-alloy steel, nickel plated

**Temperature:**

Operating:  
0 °F to 150 °F (-18 °C to 65 °C)

**Seal Type:**

Environmentally sealed with neoprene sleeve, IP67

**Safe Overload:**

150% full scale

**Rated Excitation:**

5 to 10 VDC (15 V maximum)

**Combined Error:**

0.03% full scale

**Non-repeatability:**

0.01% full scale

**Insulation Resistance:**

5,000 megohms

**Deflection at Capacity:**

50 to 200 lb: 0.020 in  
500 to 2,500 lb: 0.026 in

**Cable Length:**

10 ft

**Cable Color Code:**

Red +Excitation  
Black -Excitation  
Green +Signal  
White -Signal

**Warranty:**

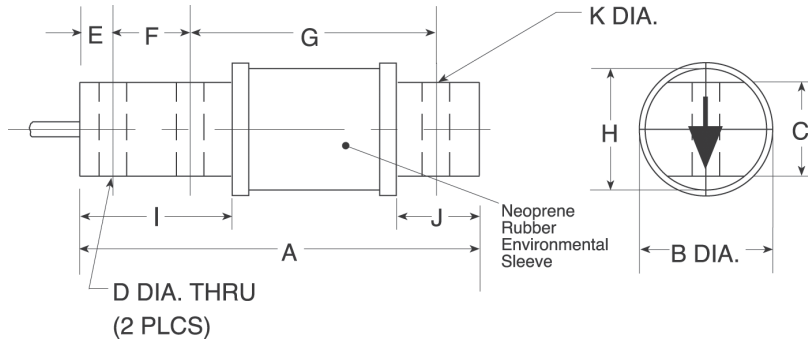
One-year limited

### Order Information

Load Rating	Part #	Est. Weight	Price
50 lb	<b>21709</b>	2 lb	\$514.00
100 lb	<b>21710</b>	2 lb	\$514.00
200 lb	<b>21711</b>	2 lb	\$514.00
500 lb	<b>21712</b>	2 lb	\$514.00
1,000 lb	<b>21713</b>	2 lb	\$535.00
2,500 lb	<b>21714</b>	2 lb	\$535.00

### Dimensions

Rated Capacity	A	B	C	D	E	F	G	H	I	J	K
lb/in											
50 to 200	5.00	1.25	0.75	0.27	0.38	0.62	3.50	1.23	1.50	1.25	0.39
500 to 1,000	5.38	1.25	0.75	0.41	0.62	1.00	3.25	1.23	2.07	1.20	0.41
2,500	5.38	1.25	0.75	0.41	0.62	1.00	3.25	1.23	2.07	1.20	0.53



# 5723

Alloy Steel, Environmentally Sealed, NTEP Certified 1:5,000 Class III Multiple Cell, IP67



Picture is a representation of actual product

**Approvals**

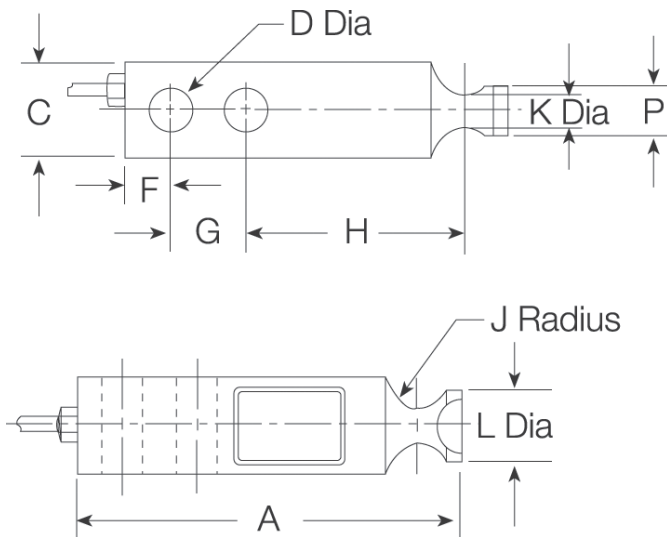


**Order Information**

Load Rating	Part #	Est. Weight	Price
1,000 lb	31396	3 lb	\$334.00
1,500 lb	79713	3 lb	\$334.00
2,500 lb	31397	3 lb	\$365.00
4,000 lb	31398	3 lb	\$365.00
5,000 lb	31399	4 lb	\$503.00
7,500 lb	85306	4 lb	\$503.00
10,000 lb	31400	4 lb	\$503.00

**Dimensions**

Rated Capacity	A	C	D	F	G	H	J	K	L	P
1,000 to 4,000	5.12	1.25	0.53	0.62	1.00	3.00	0.44	0.60	0.92	0.62
5,000 to 10,000	6.75	1.50	0.78	0.75	1.50	3.75	0.56	0.86	1.20	0.90



**Interchangeable Products**

ARTECH®  
30410

**Specifications**

- Full Scale Output:**  
3.0 mV/V
- Output Resistance:**  
350 (± 3.5) ohm
- Input Resistance:**  
350 (± 3.5) ohm
- Material/Finish:**  
High-alloy steel
- Temperature:**  
Compensated:  
14 °F to 104 °F (-10 °C to 40 °C)  
Operating:  
0 °F to 150 °F (-18 °C to 65 °C)
- Seal Type:**  
Environmentally sealed, IP67
- Safe Overload:**  
150% full scale
- Safe Sideload:**  
100% full scale
- Rated Excitation:**  
5 to 10 V
- Combined Error:**  
0.02% full scale
- Non-repeatability:**  
0.01% full scale
- Insulation Resistance:**  
5,000 megohm
- Deflection at Capacity:**  
1,000 lb: 0.016 in  
2,500 lb: 0.03 in  
4,000 lb: 0.04 in  
5,000 lb: 0.035 in  
10,000 lb: 0.042 in
- Cable Length:**  
20 ft
- Cable Color Code:**  
Red +Excitation  
Black -Excitation  
Green +Signal  
White -Signal
- Warranty:**  
One-year limited
- Approvals:**  
cFMus  
NTEP



Picture is a representation of actual product

**Approvals**

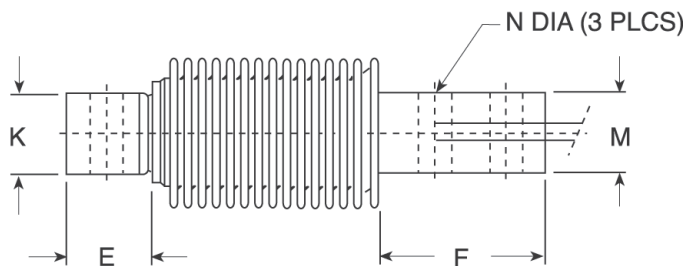
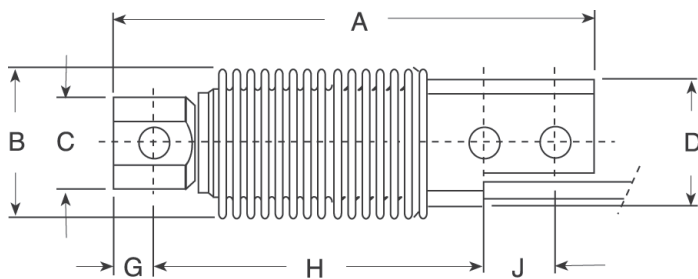


**Order Information**

Load Rating	Part #	Est. Weight	Price
20 kg	<b>28801</b>	2 lb	\$455.00
50 kg	<b>28802</b>	2 lb	\$455.00
100 kg	<b>28803</b>	2 lb	\$455.00
200 kg	<b>28804</b>	2 lb	\$455.00

**Dimensions**

Rated Capacity	A	B	C	D	E	F	G	H	J	K	M	N
kg/mm												
20 to 200	120.0	38.0	22.9	31.7	21.2	42.0	10.0	82.0	18.0	20.0	20.0	8.20



**Interchangeable Products**

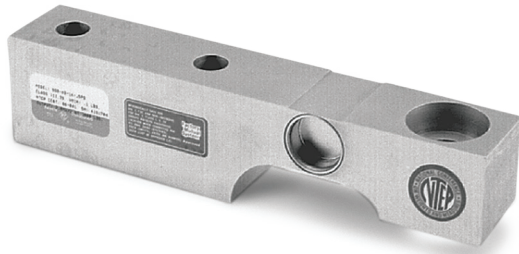
RICE LAKE WEIGHING SYSTEMS  
**RL9018SS** .....page 111  
 HBK®  
**Z6** .....page 226

**Specifications**

- Full Scale Output:**  
2.0 mV/V
- Output Resistance:**  
350 (± 3.5) ohm
- Input Resistance:**  
460 (± 3.5) ohm
- Material/Finish:**  
Stainless steel
- Temperature:**  
Compensated:  
14 °F to 104 °F (-10 °C to 40 °C)  
Operating:  
0 °F to 150 °F (-18 °C to 65 °C)
- Seal Type:**  
Welded-seal, IP67
- Safe Overload:**  
150% full scale
- Rated Excitation:**  
5 to 10 VDC (15 V maximum)
- Combined Error:**  
0.02% full scale (SHB-A3)
- Non-repeatability:**  
0.01% full scale
- Insulation Resistance:**  
5,000 megohm
- Deflection at Capacity:**  
0.4 mm
- Cable Length:**  
10 ft
- Cable Color Code:**  
Green +Excitation  
Black -Excitation  
White +Signal  
Red -Signal
- Warranty:**  
One-year limited
- Approvals:**  
cFMus  
NTEP

# SSB

Stainless Steel, Welded-seal, NTEP Certified 1:10,000 Class III Single Cell, IP67



Picture is a representation of actual product

### Approvals

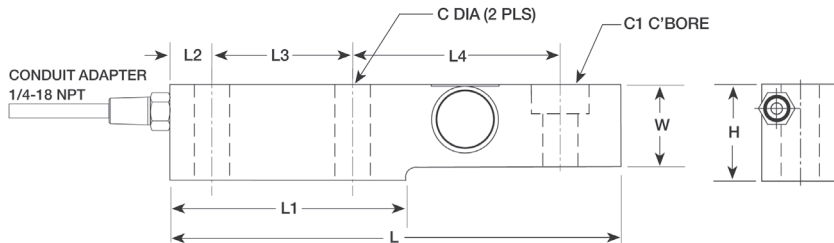


### Order Information

Load Rating	Part #	Est. Weight	Price
1,000 lb	21538	5 lb	\$726.00
2,000 lb	21539	5 lb	\$726.00
5,000 lb	21540	5 lb	\$726.00
10,000 lb	21541	10 lb	\$805.00

### Dimensions

Rated Capacity	C	W	C1	H	L	L1	L2	L3	L4	CONDUIT ADAPTER
lb/in										
1,000 to 5,000	0.53	1.44	1.19 x 0.56 DP	1.88	8.00	4.00	0.75	2.50	3.87	1/4-18NPT
10,000	0.88	1.88	1.63 x 0.62 DP	2.75	9.25	4.62	0.81	2.62	4.87	1/4-18NPT



### Interchangeable Products

RICE LAKE WEIGHING SYSTEMS  
**RLSSB**.....page 119  
 HBK®  
**SB3**.....Discontinued

### Weigh Module Available

RICE LAKE WEIGHING SYSTEMS  
**RL1900 Series**..... page 55

### Specifications

- Full Scale Output:**  
2.0 mV/V
- Output Resistance:**  
350 (± 3.5) ohm
- Input Resistance:**  
350 (± 3.5) ohm
- Material/Finish:**  
Stainless steel
- Temperature:**  
Compensated:  
14 °F to 104 °F (-10 °C to 40 °C)  
Operating:  
0 °F to 150 °F (-18 °C to 65 °C)
- Seal Type:**  
Welded-seal, IP67
- Safe Overload:**  
150% full scale
- Safe Sideload:**  
100% full scale
- Rated Excitation:**  
5 to 10 VDC (15 V maximum)
- Combined Error:**  
0.02% full scale
- Non-repeatability:**  
0.01% full scale
- Insulation Resistance:**  
5,000 megohm
- Deflection at Capacity:**  
0.018 in
- Cable Length:**  
15 ft
- Cable Color Code:**  
Green +Excitation  
Black -Excitation  
White +Signal  
Red -Signal
- Warranty:**  
One-year limited
- Approvals:**  
cFMus  
NTEP





Picture is a representation of actual product

**Approvals**

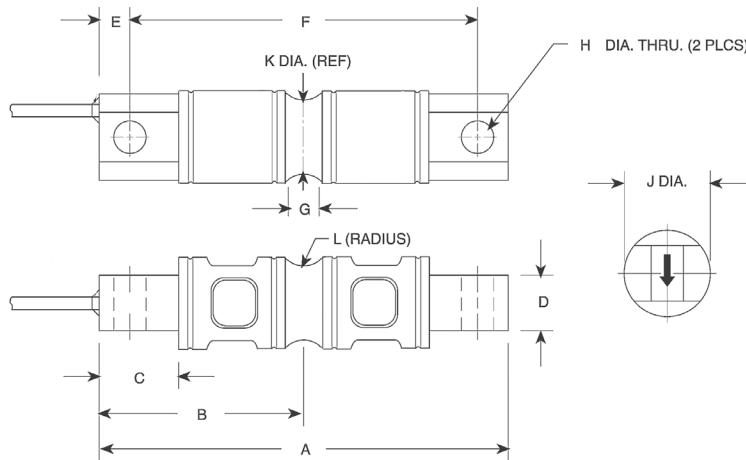


**Order Information**

Load Rating	Part #	Est. Weight	Price
5,000 lb	<b>34494</b>	5 lb	\$694.00
10,000 lb	<b>34495</b>	5 lb	\$694.00
20,000 lb	<b>34496</b>	6 lb	\$694.00
30,000 lb	<b>34497</b>	19 lb	\$800.00
40,000 lb	<b>34498</b>	19 lb	\$800.00
50,000 lb	<b>34499</b>	19 lb	\$895.00
60,000 lb	<b>34500</b>	19 lb	\$895.00
75,000 lb	<b>159506</b>	19 lb	\$895.00
100,000 lb	<b>34501</b>	30 lb	\$1,563.00
150,000 lb	<b>17292</b>	35 lb	\$1,563.00
200,000 lb	<b>17293</b>	46 lb	\$2,940.00
250,000 lb	<b>17294</b>	92 lb	\$2,940.00

**Dimensions**

Rated Capacity	A	B	C	D	E	F	G	H	J	K	L
lb/in											
5,000 to 10,000	8.12	4.06	1.44	1.12	0.62	6.87	0.62	0.65	1.70	1.48	0.50
20,000	8.12	4.06	1.44	1.12	0.62	6.87	0.84	0.65	1.95	1.48	0.50
30,000 to 75,000	10.25	5.12	1.88	2.37	0.88	8.50	1.00	1.06	3.00	2.73	1.00
100,000	11.25	5.62	1.88	2.50	0.88	9.50	1.00	1.06	3.50	3.24	1.50
150,000	11.25	5.62	1.88	2.80	0.88	9.50	1.25	1.06	3.90	3.64	1.50
200,000 to 250,000	16.10	8.05	3.05	4.60	1.55	13.00	1.30	1.55	5.375	5.17	2.00



**Interchangeable Products**

RICE LAKE WEIGHING SYSTEMS  
**RL70000**  
**RL72020**.....page 126

**Weigh Module Available**

RICE LAKE WEIGHING SYSTEMS  
**EZ Mount 1**..... page 65

**Specifications**

**Full Scale Output:**

3.0 mV/V

**Output Resistance:**

700 (± 7) ohm

**Input Resistance:**

700 (± 7) ohm

**Material/Finish:**

High-alloy steel, nickel plated

**Temperature:**

Compensated:  
 14 °F to 104 °F (-10 °C to 40 °C)

Operating:  
 0 °F to 150 °F (-18 °C to 65 °C)

**Seal Type:**

Environmentally sealed, IP67

**Safe Overload:**

150% full scale

**Safe Sideload:**

100% full scale

**Rated Excitation:**

5 to 10 VDC (15 V maximum)

**Non-repeatability:**

0.01% full scale

**Combined Error:**

0.025% full scale

**Insulation Resistance:**

5,000 megohm

**Deflection at Capacity:**

5,000 lb: 0.02 in  
 10,000 lb: 0.025 in  
 20,000 lb: 0.042 in  
 30,000 to 50,000 lb: 0.02 in  
 60,000 lb: 0.025 in  
 100,000 to 150,000 lb: 0.02 in  
 200,000 to 250,000 lb: 0.035 in

**Cable Length:**

30 ft

**Cable Diameter:**

0.295 in  
 Polyurethane jacket

**Cable Color Code:**

Red +Excitation  
 Black -Excitation  
 Green +Signal  
 White -Signal

**Warranty:**

One-year limited

**Approvals:**

cMus  
 NTEP



# 9103

Stainless Steel, Environmentally Sealed, NTEP Certified 1:10,000 Class III Multiple Cell, IP67



Picture is a representation of actual product

### Approvals

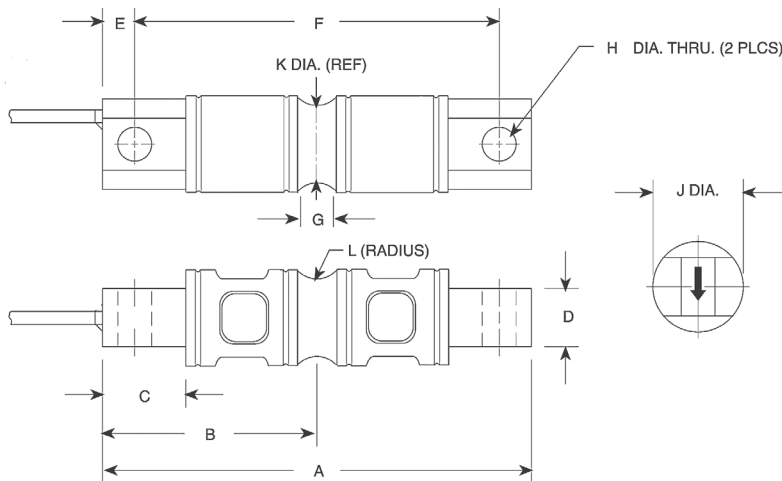


### Order Information

Load Rating	Part #	Est. Weight	Price
<b>NTEP Certified</b>			
10,000 lb	17329	5 lb	\$820.00
20,000 lb	17330	5 lb	\$820.00
30,000 lb	17331	19 lb	\$901.00
40,000 lb	17332	19 lb	\$901.00
50,000 lb	17333	19 lb	\$1,007.00
60,000 lb	17334	19 lb	\$1,007.00
100,000 lb	17335	30 lb	\$1,960.00
<b>Non-NTEP Certified</b>			
5,000 lb	17328	5 lb	\$795.00
150,000 lb	17336	30 lb	\$2,008.00
<b>Conduit Adapter Kit (must be factory installed to maintain warranty)</b>			
3/8-24 to 1/4-18NPT	31534	1 lb	\$37.00
5/8-18UNF to 1/2-14 NPT	31535	1 lb	\$37.00

### Dimensions

Rated Capacity	A	B	C	D	E	F	G	H	J	K	L
5,000 to 10,000 lb/in	8.12	4.06	1.44	1.12	0.62	6.88	0.62	0.66	1.70	1.48	0.50
20,000	8.12	4.06	1.44	1.12	0.62	6.88	0.84	0.66	1.95	1.48	0.50
30,000 to 60,000	10.25	5.12	1.88	2.37	0.88	8.50	1.00	1.06	3.00	2.73	1.00
100,000	11.25	5.62	1.88	2.50	0.88	9.50	1.00	1.06	3.50	3.24	1.50
150,000	11.25	5.62	1.88	2.80	0.88	9.50	1.25	1.06	3.90	3.64	1.50



### Interchangeable Products

RICE LAKE WEIGHING SYSTEMS  
**RL70000SS**  
**RL72020SS**..... page 127

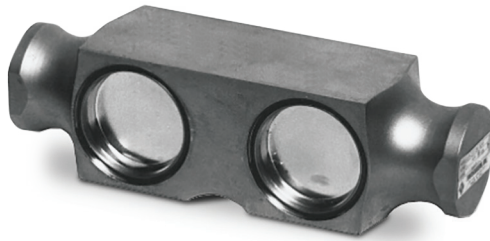
### Weigh Module Available

RICE LAKE WEIGHING SYSTEMS  
**EZ Mount 1**.....page 67

### Specifications

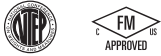
- Full Scale Output:** 3.0 mV/V
- Output Resistance:** 700 (± 7) ohm
- Input Resistance:** 700 (± 7) ohm
- Material/Finish:** Stainless steel
- Temperature:** Compensated: 14 °F to 104 °F (-10 °C to 40 °C)  
Operating: 0 °F to 150 °F (-18 °C to 65 °C)
- Seal Type:** Environmentally sealed, IP67
- Safe Overload:** 150% full scale
- Safe Sideload:** 100% full scale
- Rated Excitation:** 5 to 10 VDC (15 V maximum)
- Combined Error:** 0.03% full scale
- Non-repeatability:** 0.02% full scale
- Insulation Resistance:** 5,000 megohm
- Deflection at Capacity:** 5,000 lb: 0.02 in  
10,000 lb: 0.025 in  
20,000 lb: 0.042 in  
30,000 to 50,000 lb: 0.02 in  
60,000 lb: 0.025 in  
100,000 to 150,000 lb: 0.02 in
- Cable Length:** 30 ft
- Cable Diameter:** 0.295 in  
Polyurethane jacket
- Cable Color Code:** Red +Excitation  
Black -Excitation  
Green +Signal  
White -Signal
- Warranty:** One-year limited
- Approvals:** cFMus  
NTEP

VP® REVERSE



Picture is a representation of actual product

**Approvals**

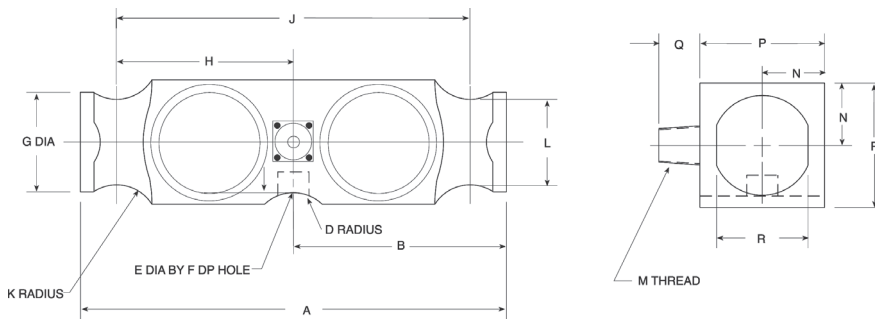


**Order Information**

Load Rating	Part #	Est. Weight	Price
50,000 lb	<b>21605</b>	22 lb	\$901.00
65,000 lb	<b>21606</b>	22 lb	\$901.00
100,000 lb	<b>21607</b>	22 lb	\$1,160.00
Overbraided Cable			
50,000 lb	<b>101121</b>	24 lb	\$948.00
65,000 lb	<b>101122</b>	24 lb	\$948.00
100,000 lb	<b>101123</b>	24 lb	\$1,266.00

**Dimensions**

Rated Capacity	A	B	D	E	F	G	H	J	K	L	M	N	P	Q	R
50,000 to 65,000	10.25	5.12	1.00	0.75	0.78	2.40	4.25	8.50	1.00	2.06	1/2-14 NPT	1.50	3.00	1.03	2.20
100,000	10.25	5.12	1.00	—	—	2.40	4.25	8.50	1.00	2.06	1/2-14 NPT	1.50	3.00	1.03	2.20



**Interchangeable Products**

RICE LAKE WEIGHING SYSTEMS  
**RL75223** ..... page 142  
 THURMAN®  
**TSC 800**

**Weigh Module Available**

RICE LAKE WEIGHING SYSTEMS  
**Translink™** .....page 78

**Specifications**

**Full Scale Output:**  
3.0 mV/V

**Output Resistance:**  
700 (± 7) ohm

**Input Resistance:**  
700 (± 7) ohm

**Material/Finish:**  
High-alloy steel, nickel plated

**Temperature:**  
Compensated:  
14 °F to 104 °F (-10 °C to 40 °C)  
Operating:  
0 °F to 150 °F (-18 °C to 65 °C)

**Seal Type:**  
Welded-seal, IP67

**Safe Overload:**  
150% full scale

**Safe Sideload:**  
100% full scale

**Rated Excitation:**  
5 to 10 VDC (20 V maximum)

**Combined Error:**  
0.025% full scale

**Non-repeatability:**  
0.01% full scale

**Insulation Resistance:**  
5,000 megohm

**Deflection at Capacity:**  
50,000 lb: 0.018 in  
65,000 lb: 0.022 in  
100,000 lb: 0.034 in

**Cable Length:**  
40 ft

**Cable Diameter:**  
0.295 in  
Polyurethane jacket

**Cable Color Code:**  
Red +Excitation  
Black -Excitation  
Green +Signal  
White -Signal

**Warranty:**  
One-year limited

**Approvals:**  
cFMus  
NTEP



# 9223

Stainless Steel, Environmentally Sealed, NTEP Certified 1:10,000 Class III Multiple Cell, IP67



Picture is a representation of actual product

### Approvals

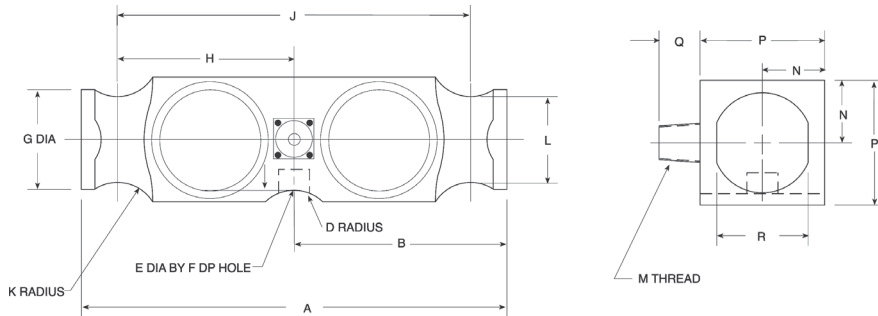


### Order Information

Load Rating	Part #	Est. Weight	Price
50,000 lb	84150	22 lb	\$1,055.00
65,000 lb	84151	22 lb	\$1,055.00
100,000 lb	84152	22 lb	\$1,394.00
125,000 lb	84153	22 lb	\$1,394.00

### Dimensions

Rated Capacity	A	B	D	E	F	G	H	J	K	L	M	N	P	Q	R
lb/in															
50,000 to 125,000	10.25	5.12	1.00	0.75	0.78	2.40	4.25	8.50	1.00	2.06	1/2-14 NPT	1.50	2.94	1.03	2.20

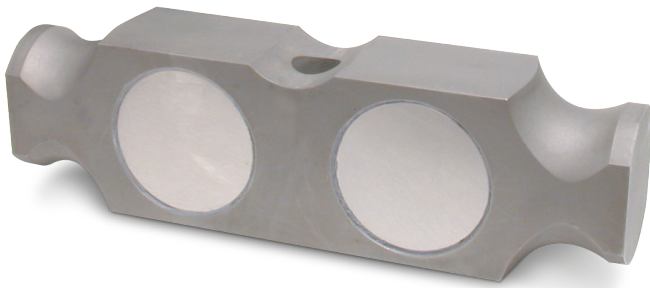


### Weigh Module Available

RICE LAKE WEIGHING SYSTEMS  
**Translink™** .....page 70

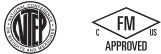
### Specifications

- Full Scale Output:**  
3.0 mV/V
- Output Resistance:**  
700 (± 7) ohm
- Input Resistance:**  
700 (± 7) ohm
- Material/Finish:**  
Stainless steel
- Temperature:**  
Compensated:  
14 °F to 104 °F (-10 °C to 40 °C)  
Operating:  
0 °F to 150 °F (-18 °C to 65 °C)
- Seal Type:**  
Environmentally sealed, IP67
- Safe Overload:**  
150% full scale
- Safe Sideload:**  
100% full scale
- Rated Excitation:**  
5 to 10 VDC (20 V maximum)
- Combined Error:**  
0.02% full scale
- Non-repeatability:**  
0.01% full scale
- Insulation Resistance:**  
5,000 megohm
- Deflection at Capacity:**  
50,000 lb: 0.018 in  
65,000 lb: 0.022 in  
100,000 lb: 0.034 in
- Cable Length:**  
40 ft
- Cable Diameter:**  
0.295 in  
Polyurethane jacket
- Cable Color Code:**  
Red +Excitation  
Black -Excitation  
Green +Signal  
White -Signal
- Warranty:**  
One-year limited
- Approvals:**  
cFMus  
NTEP



Picture is a representation of actual product

Approvals

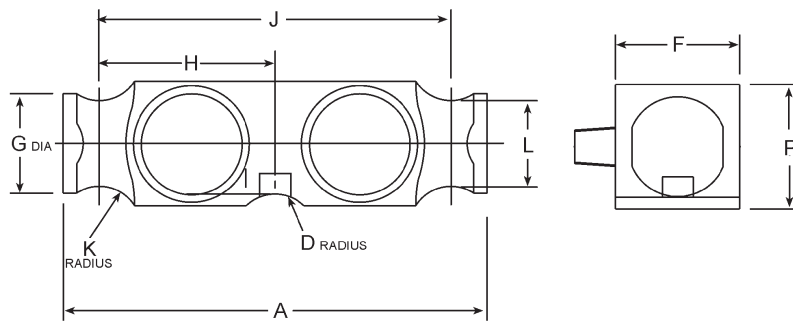


Order Information

Load Rating	Part #	Est. Weight	Price
50,000 lb	69489	17 lb	\$1,000.00
65,000 lb	69490	17 lb	\$1,000.00
100,000 lb	124390	17 lb	\$1,000.00

Dimensions

Rated Capacity	A	D	F	G	H	J	K	L	P
lb/in									
50,000 to 100,000	10.25	1.00	1.94	2.40	4.25	8.50	1.00	2.06	2.94



Interchangeable Products

NV TECHNOLOGY®  
**BLC-2-XX-N**  
 THURMAN®  
**10088970A-50K**

Specifications

- Full Scale Output:**  
3.0 mV/V
- Output Resistance:**  
700 (± 3.5) ohm
- Input Resistance:**  
700 (± 3.5) ohm
- Material/Finish:**  
Stainless steel
- Temperature:**  
Compensated:  
14 °F to 104 °F (-10 °C to 40 °C)  
Operating:  
0 °F to 150 °F (-18 °C to 65 °C)
- Seal Type:**  
Environmentally sealed, IP67
- Safe Overload:**  
150% full scale
- Safe Sideload:**  
100% full scale
- Rated Excitation:**  
5 to 10 VDC (15 V maximum)
- Combined Error:**  
0.02% full scale
- Non-repeatability:**  
0.01% full scale
- Insulation Resistance:**  
5,000 megohm
- Cable Length:**  
30 ft
- Cable Diameter:**  
0.295 in  
Polyurethane jacket
- Cable Color Code:**  
Red +Excitation  
Black -Excitation  
Green +Signal  
White -Signal
- Warranty:**  
One-year limited
- Approvals:**  
cFMus  
NTEP

# 9323

Stainless Steel, Environmentally Sealed, NTEP Certified 1:10,000 Class IIIIL Multiple Cell, IP67



Picture is a representation of actual product

### Approvals

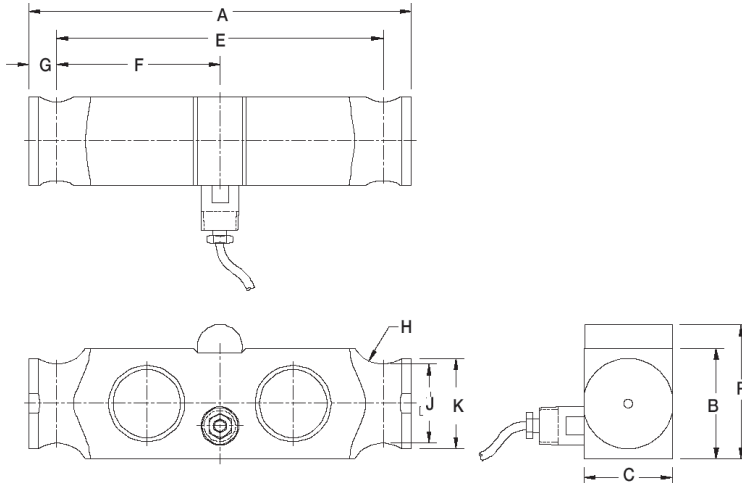


### Order Information

Load Rating	Part #	Est. Weight	Price
50,000 lb	84156	13 lb	\$885.00
60,000 lb	84157	13 lb	\$885.00

### Dimensions

Rated Capacity	A	B	C	E	F	G	H	J	K	P
50,000 to 60,000	8.50	2.45	1.95	7.25	3.63	0.63	0.75	1.75	2.00	3.00

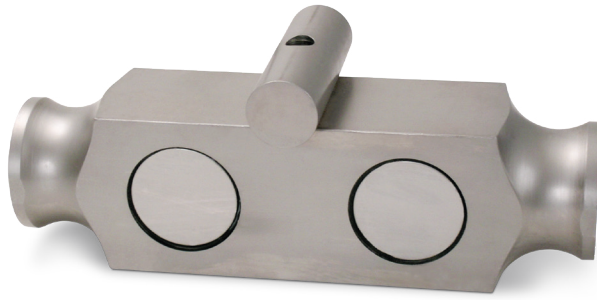


### Interchangeable Products

NV TECHNOLOGY®  
BLC-1-N-WP

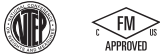
### Specifications

- Full Scale Output:**  
3.0 mV/V
- Output Resistance:**  
700 (± 7) ohm
- Input Resistance:**  
700 (± 7) ohm
- Material/Finish:**  
Stainless steel
- Temperature:**  
Compensated:  
14 °F to 104 °F (-10 °C to 40 °C)  
Operating:  
0 °F to 150 °F (-18 °C to 65 °C)
- Seal Type:**  
Environmentally sealed, IP67
- Safe Overload:**  
150% full scale
- Safe Sideload:**  
100% full scale
- Rated Excitation:**  
5 to 10 VDC (15 V maximum)
- Non-repeatability:**  
0.01% full scale
- Combined Error:**  
0.02% full scale
- Insulation Resistance:**  
5,000 megohm
- Cable Length:**  
30 ft
- Cable Diameter:**  
0.295 in polyurethane jacket
- Cable Color Code:**  
Red -Excitation  
Black -Excitation  
Green +Signal  
White -Signal
- Warranty:**  
One-year limited
- Approvals:**  
cFMus  
NTEP



Picture is a representation of actual product

Approvals

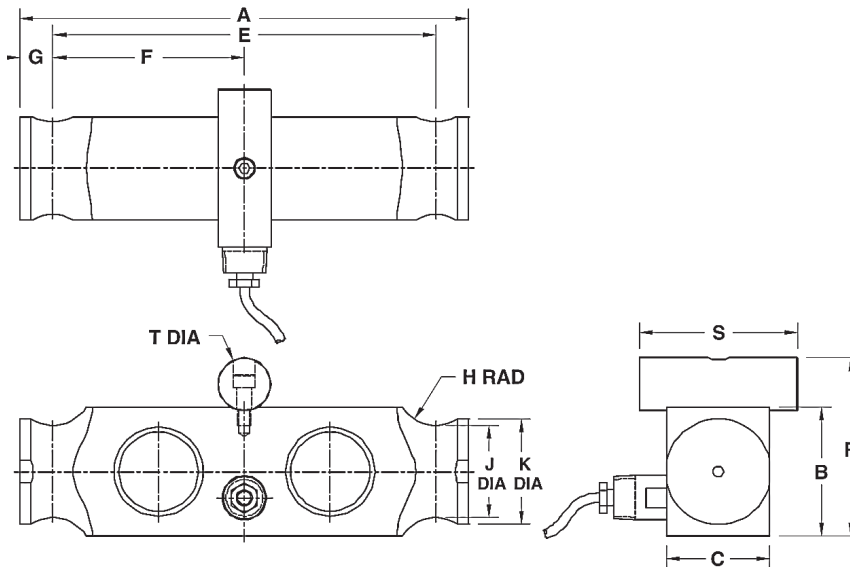


Order Information

Load Rating	Part #	Est. Weight	Price
50,000 lb	79711	14 lb	\$1,007.00
60,000 lb	79712	14 lb	\$1,055.00

Dimensions

Rated Capacity	A	B	C	E	F	G	H	J	K	R	S	T
lb/in												
50,000 to 60,000	8.50	2.45	1.95	7.25	3.62	0.63	0.75	1.75	2.00	3.38	3.00	1.00



Interchangeable Products

NV TECHNOLOGY®  
BLC-1-N

Specifications

**Full Scale Output:**  
3.0 mV/V

**Output Resistance:**  
700 (± 7) ohm

**Input Resistance:**  
700 (± 7) ohm

**Material/Finish:**  
Stainless steel

**Temperature:**  
Compensated:  
14 °F to 104 °F (-10 °C to 40 °C)  
Operating:  
0 °F to 150 °F (-18 °C to 65 °C)

**Seal Type:**  
Environmentally sealed, IP67

**Safe Overload:**  
150% full scale

**Safe Sideload:**  
100% full scale

**Rated Excitation:**  
5 to 10 VDC (15 V maximum)

**Combined Error:**  
0.02% full scale

**Non-repeatability:**  
0.01% full scale

**Insulation Resistance:**  
5,000 megohm

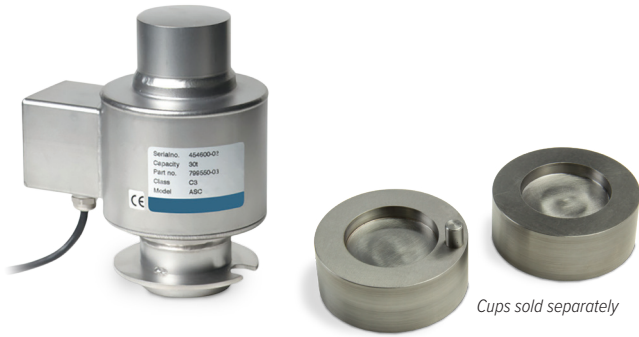
**Cable Length:**  
30 ft

**Cable Diameter:**  
0.295 in  
Polyurethane jacket

**Cable Color Code:**  
Red +Excitation  
Black -Excitation  
Green +Signal  
White -Signal

**Warranty:**  
One-year limited

**Approvals:**  
cFMus  
NTEP



Picture is a representation of actual product

### Approvals



Available upon request

### Specifications

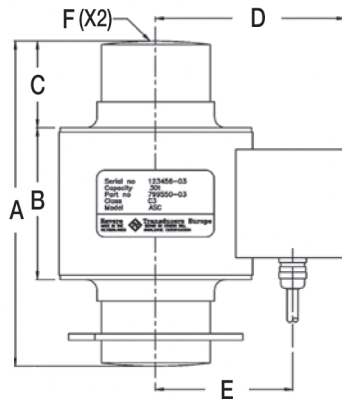
- Full Scale Output:**  
2.00 (± 0.02) mV/V
- Output Resistance:**  
700 (± 7) ohm
- Input Resistance:**  
700 (± 35) ohm
- Material/Finish:**  
Stainless steel
- Temperature:**  
Operating:  
0 °F to 150 °F (-18 °C to 65 °C)
- Seal Type:**  
Hermetically sealed, IP68
- Safe Overload:**  
150% full scale
- Rated Excitation:**  
5 to 20 VDC
- Combined Error:**  
0.02% full scale
- Insulation Resistance:**  
5,000 megohm
- Cable Length:**  
15 m
- Cable Diameter:**  
0.295 in  
Polyurethane jacket
- Cable Color Code:**  
Green +Excitation  
Black -Excitation  
White +Signal  
Red -Signal
- Warranty:**  
One-year limited
- Approvals:**  
cFMus  
OIML  
Ex (available upon request)

### Order Information

Load Rating	Part #	Est. Weight	Price
<b>OIML</b>			
30 T	<b>151312</b>	5 lb	\$736.00
40 T	<b>151313</b>	5 lb	\$736.00
50 T	<b>151314</b>	5 lb	\$736.00
<b>Options</b>			
Load Cup Set (Upper and Lower)	<b>160452</b>	6 lb	\$100.00

### Dimensions

Rated Capacity	A	B	C	D	E	F
T/mm						
30 to 50	150	70	40	87	69	R200







Picture is a representation of actual product

**Approvals**



**Order Information: NTEP Certified**

Load Rating	Part #	Est. Weight	Price
<b>NTEP Certified</b>			
0.5 T	36190	2 lb	\$689.00
1 T	36191	2 lb	\$689.00
2 T	36192	3 lb	\$742.00
3.5 T	36193	3 lb	\$742.00
5 T	36194	3 lb	\$742.00
10 T	177263	6 lb	\$742.00
<b>OIML</b>			
0.25 T	126714	2 lb	\$689.00
0.5 T	126715	2 lb	\$689.00
1 T	126716	2 lb	\$742.00
2 T	126717	3 lb	\$742.00
3.5 T	126718	3 lb	\$742.00
5 T	126719	3 lb	\$742.00
10 T	177262	3 lb	\$742.00

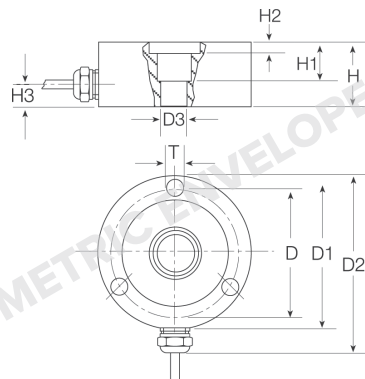
**Replacement Rocker Pin Set\***

Load Rating (Per Module)	Part #	Price
250 kg to 1 T	170875	\$132.00
2 T to 5 T	170876	\$132.00
10 T	170877	\$132.00

\*Kit includes upper cup, rocker pin and grease

**Dimensions**

Rated Capacity	D	D1	D2	D3	H	H1	H2	H3	T
0.25 to 1	2.76	3.15	3.84	0.40	0.99	0.60	0.04	0.37	M6 (3 x 120°)
2 to 5	2.76	3.15	3.84	0.60	1.18	0.79	0.24	0.33	M6 (3 x 120°)
10	3.26	3.74	4.42	0.98	1.37	0.58	-	0.39	M6 (3 x 120°)



**Weigh Module Available**

RICE LAKE WEIGHING SYSTEMS  
**RLC**..... page 63

**Specifications**

- Full Scale Output:**  
2.0 mV/V
- Output Resistance:**  
1,025 (± 25) ohm
- Input Resistance:**  
1,110 (± 50) ohm
- Material/Finish:**  
Stainless steel
- Temperature:**  
Compensated:  
14 °F to 104 °F (-10 °C to 40 °C)  
Operating:  
0 °F to 150 °F (-18 °C to 65 °C)
- Seal Type:**  
Hermetically sealed, IP66/68
- Safe Overload:**  
150% full scale
- Safe Sideload:**  
100% full scale
- Rated Excitation:**  
5 to 10 VDC (15 V maximum)
- Combined Error:**  
0.02% full scale
- Insulation Resistance:**  
5,000 megohm
- Cable Length:**  
5 m
- Cable Color Code:**  
Pink +Excitation  
Grey -Excitation  
Brown +Signal  
White -Signal
- Warranty:**  
One-year limited
- Approvals:**  
FM  
OIML  
NTEP





Picture is a representation of actual product

**Approvals**

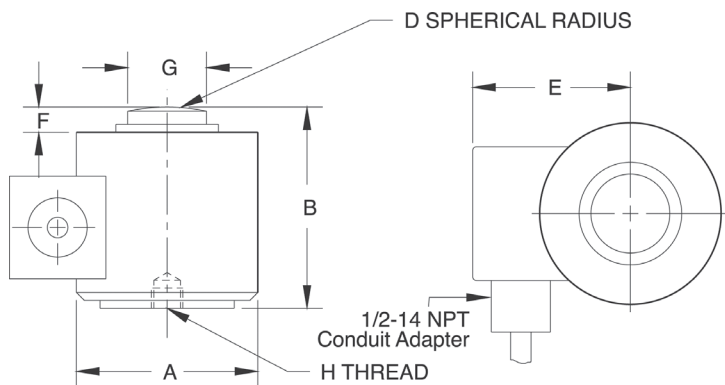


**Order Information**

Load Rating	Part #	Est. Weight	Price
10,000 lb	<b>17588</b>	8 lb	\$1,425.00
25,000 lb	<b>17589</b>	8 lb	\$1,425.00
50,000 lb	<b>17590</b>	8 lb	\$1,425.00
100,000 lb	<b>17591</b>	16 lb	\$1,575.00
200,000 lb	<b>17592</b>	40 lb	\$2,432.00
300,000 lb	<b>17593</b>	40 lb	\$2,676.00
500,000 lb	<b>17594</b>	53 lb	\$4,765.00

**Dimensions**

Rated Capacity	A	B	D	E	F	G	H	DEPTH of H
10,000 to 50,000	2.48	3.25	6.00	3.30	0.40	1.25	1/2-20 UNF	0.31
100,000	4.12	5.00	6.00	3.50	0.51	2.31	3/4-16 UNF	0.56
200,000 to 300,000	6.00	7.25	17.00	4.60	1.04	3.13	3/4-16 UNF	0.75
500,000	6.50	9.00	17.00	4.80	0.56	3.69	3/4-16 UNF	0.75



**Interchangeable Products**

- VPG® REVERE  
**392B** ..... *Discontinued*
- ARTECH®  
**90210**
- CARDINAL®  
**CP1**
- HOWE RICHARDSON®  
**20908XXX**
- STREETER AMET®  
**3753070, 3752030, 3752040, 3751940**

**Weigh Module Available**

RICE LAKE WEIGHING SYSTEMS®  
**MagnaMount®** ..... *page 80*

**Specifications**

- Full Scale Output:**  
1.75 mV/V
- Output Resistance:**  
480 (± 4.8) ohm
- Input Resistance:**  
450 (± 4.5) ohm
- Material/Finish:**  
Stainless steel
- Temperature:**  
Operating:  
0 °F to 150 °F (-18 °C to 65 °C)
- Seal Type:**  
Welded-seal, IP68
- Safe Overload:**  
150% full scale
- Rated Excitation:**  
5 to 10 VDC (15 V maximum)
- Combined Error:**  
0.15% full scale
- Non-repeatability:**  
0.03% full scale
- Insulation Resistance:**  
5,000 megohm
- Deflection at Capacity:**  
10,000 to 50,000 lb: 0.003 in  
100,000 to 300,000 lb: 0.006 in  
500,000 lb: 0.009 in
- Cable Length:**  
30 ft
- Cable Diameter:**  
0.295 in  
Polyurethane jacket
- Cable Color Code:**  
Green +Excitation  
Black -Excitation  
White +Signal  
Red -Signal
- Warranty:**  
One-year limited
- Approvals:**  
cFMus

VPG® REVERE



Picture is a representation of actual product

**Approvals**

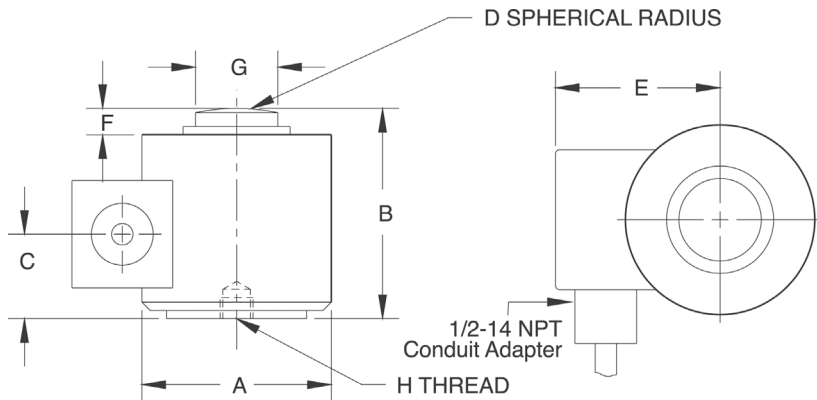


**Order Information**

Load Rating	Part #	Est. Weight	Price
<b>NTEP Certified, 30 ft Cable</b>			
25,000 lb	<b>21649</b>	7 lb	\$1,700.00
50,000 lb	<b>21650</b>	7 lb	\$1,700.00
100,000 lb	<b>21651</b>	15 lb	\$1,892.00
200,000 lb	<b>21652</b>	36 lb	\$2,538.00
<b>NTEP Certified, 60 ft Cable</b>			
200,000 lb	<b>188769</b>	40 lb	\$2,645.00
<b>Non-NTEP Certified, 30 ft Cable</b>			
10,000 lb	<b>17595</b>	6 lb	\$1,611.00
300,000 lb	<b>17597</b>	40 lb	\$2,645.00
500,000 lb	<b>17598</b>	40 lb	\$4,966.00
<b>OIML, 60 ft Cable</b>			
60T	<b>194528</b>	15 lb	\$1,892.00

**Dimensions**

Rated Capacity	A	B	C	D	E	F	G	H	DEPTH of H
lb/in									
10,000 to 50,000	2.88	3.25	1.28	6.00	2.51	0.40	1.25	1/2-20 UNF	0.38
100,000	4.12	5.00	2.15	6.00	3.39	0.51	2.31	3/4-16 UNF	0.56
200,000 to 300,000	6.00	7.25	3.63	17.00	4.26	1.04	3.13	3/4-16 UNF	0.75
500,000	6.50	9.00	4.34	17.00	4.59	0.56	3.69	3/4-16 UNF	0.75



**Interchangeable Products**

- RICE LAKE WEIGHING SYSTEMS
- RLCSP1\*** ..... page 145
- VPG® REVERE
- 692B\*** ..... Discontinued
- ARTECH®
- 90310\***
- HOWE RICHARDSON®
- 244699-000X\***
- STREETER AMET®
- 3760XXX**

\* Load cell diameter may not be identical

**Weigh Module Available**

- RICE LAKE WEIGHING SYSTEMS
- MagnaMount®** ..... page 80

**Specifications**

- Full Scale Output:**  
2 mV/V
- Output Resistance:**  
480 (± 4.8) ohm
- Input Resistance:**  
450 (± 4.5) ohm
- Material/Finish:**  
Stainless steel
- Temperature:**  
Compensated:  
14 °F to 104 °F (-10 °C to 40 °C)  
Operating:  
0 °F to 150 °F (-18 °C to 65 °C)
- Seal Type:**  
Welded-seal, IP68
- Safe Overload:**  
150% full scale
- Rated Excitation:**  
5 to 10 VDC (15 V maximum)
- Combined Error:**  
0.02% full scale (0.05% Non-NTEP Certified)
- Non-repeatability:**  
0.01% full scale
- Insulation Resistance:**  
5,000 megohm
- Deflection at Capacity:**  
10,000 to 50,000 lb: 0.003 in  
100,000 to 300,000 lb: 0.006 in  
500,000 lb: 0.009 in
- Cable Length:**  
30 ft  
60 ft
- Cable Diameter:**  
0.295 in  
Polyurethane jacket
- Cable Color Code:**  
Green +Excitation  
Black -Excitation  
White +Signal  
Red -Signal
- Warranty:**  
One-year limited
- Approvals:**  
cFMus  
NTEP  
OIML

**VPG® REVERE**



Picture is a representation of actual product

**Approvals**

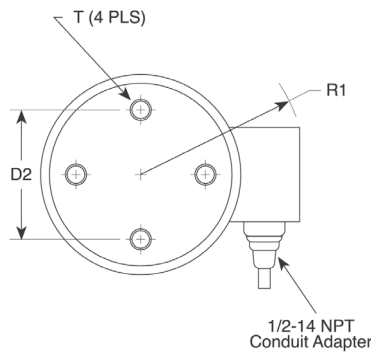
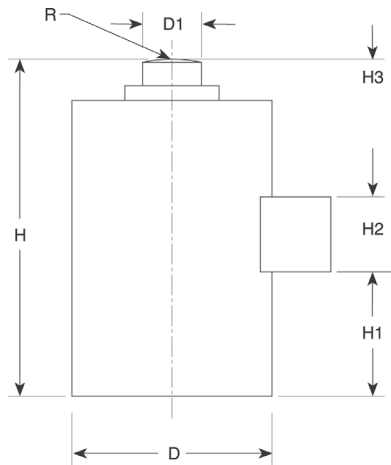


**Order Information**

Load Rating	Part #	Est. Weight	Price
50,000 lb	31307	19 lb	\$2,326.00
100,000 lb	31306	35 lb	\$2,326.00
200,000 lb	31305	74 lb	\$3,598.00

**Dimensions**

Rated Capacity	D	D1	D2	H	H1	H2	H3	R	R1	T
lb/in										
50,000	4.50	1.25	2.38	7.50	3.06	1.60	0.75	6.00	3.75	3/8-24 UNF x .63 DP
100,000	5.75	1.75	4.00	9.13	2.60	1.60	1.05	12.00	4.05	1/2-20 UNF x .75 DP
200,000	7.50	2.50	5.50	11.63	3.95	1.60	0.97	12.00	5.11	5/8-18 UNF x 1.00 DP



**Interchangeable Products**

RICE LAKE WEIGHING SYSTEMS  
**RL8C2P1SST** ..... page 146  
 ARTECH®  
**90405**

**Specifications**

- Full Scale Output:**  
2.0 mV/V
- Output Resistance:**  
350 (± 3.5) ohm
- Input Resistance:**  
350 (± 3.5) ohm
- Material/Finish:**  
Stainless steel
- Temperature:**  
Compensated:  
14 °F to 104 °F (-10 °C to 40 °C)  
Operating:  
0 °F to 150 °F (-18 °C to 65 °C)
- Seal Type:**  
Welded-seal, IP68
- Safe Overload:**  
150% full scale
- Rated Excitation:**  
5 to 10 VDC (15 V maximum)
- Combined Error:**  
0.03% full scale
- Non-repeatability:**  
0.01% full scale
- Insulation Resistance:**  
5,000 megohm
- Deflection at Capacity:**  
50,000 lb: 0.004 in  
100,000 lb: 0.006 in  
200,000 lb: 0.009 in
- Cable Length:**  
35 ft
- Cable Diameter:**  
0.295 in  
Polyurethane jacket
- Cable Color Code:**  
Green +Excitation  
Black -Excitation  
White +Signal  
Red -Signal
- Warranty:**  
One-year limited
- Approvals:**  
cFMus  
NTEP



Picture is a representation of actual product

### Approvals

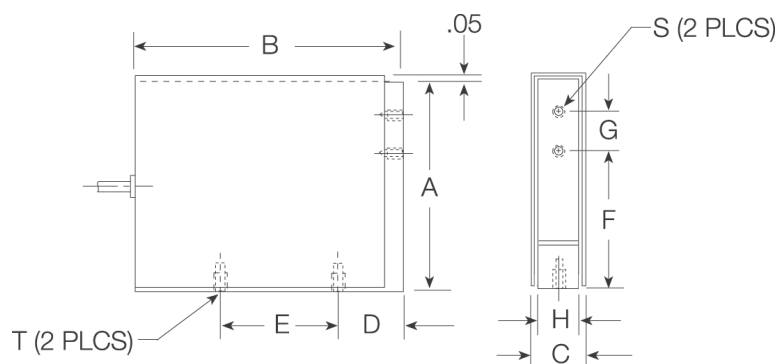


### Order Information

Load Rating	Part #	Est. Weight	Price
2 lb	17442	3 lb	\$630.00
5 lb	17443	3 lb	\$630.00
10 lb	17444	3 lb	\$630.00
20 lb	17445	3 lb	\$630.00
50 lb	17446	5 lb	\$662.00
100 lb	17447	5 lb	\$662.00
250 lb	17448	5 lb	\$683.00

### Dimensions

Rated Capacity	A	B	C	D	E	F	G	H	T	S
lb/in										
2 to 20	4.00	5.13	0.91	1.25	2.20	2.60	0.75	0.75	1/4-28 UNF x .38 DP	10-32 UNF x .25 DP
50 to 100	4.60	6.00	1.16	1.90	2.20	2.60	1.00	1.00	3/8-24 UNF x .50 DP	1/4-28 UNF x .50 DP
250	4.60	6.00	1.16	1.90	2.20	2.35	1.50	1.00	3/8-24 UNF x .50 DP	3/8-24 UNF x .50 DP



### Specifications

- Full Scale Output:**  
2.0 mV/V
- Output Resistance:**  
350 (± 3.5) ohm
- Input Resistance:**  
390 (± 15) ohm
- Material/Finish:**  
Alloy steel with stainless steel cover
- Temperature:**  
Operating:  
0 °F to 150 °F (-18 °C to 65 °C)
- Seal Type:**  
Environmentally sealed, IP67
- Safe Overload:**  
150% full scale
- Rated Excitation:**  
5 to 10 VDC nominal (15 V maximum)
- Combined Error:**  
0.03% full scale
- Non-repeatability:**  
0.01% full scale
- Insulation Resistance:**  
5,000 megohm
- Deflection at Capacity:**  
2 to 20 lb: 0.06 in  
50 to 250 lb: 0.04 in
- Cable Length:**  
10 ft
- Cable Color Code:**  
Red +Excitation  
Black -Excitation  
Green +Signal  
White -Signal
- Warranty:**  
One-year limited
- Approvals:**  
cFMus





Picture is a representation of actual product

### Approvals

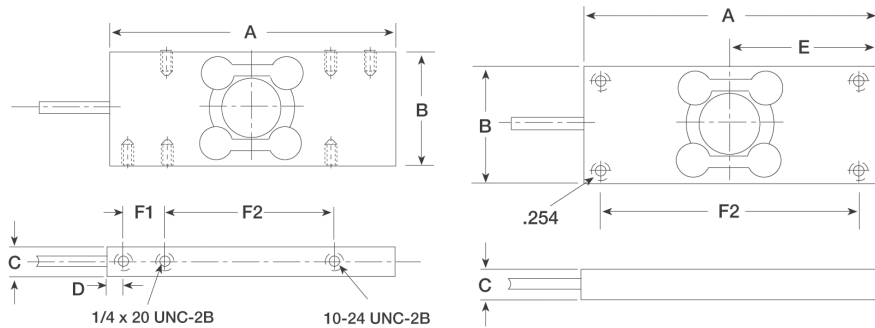


### Order Information

Load Rating	Part #	Est. Weight	Price
6 kg	<b>22335</b>	2 lb	\$652.00
6 kg	<b>116475</b>	2 lb	\$652.00
25 lb	<b>17406</b>	2 lb	\$652.00
50 lb	<b>17407</b>	2 lb	\$652.00
100 lb	<b>17408</b>	2 lb	\$826.00

### Dimensions

Rated Capacity	A	B	C	D	E	F1	F2
kg or lb/mm							
6kg	127.0	50.2	18.5	—	63.5	—	107.9
25 to 50 lb	127.0	50.2	18.5	6.3	—	19.0	76.2
100 lb	127.0	46.2	23.8	6.3	—	19.0	76.2



HPS 6 kg to 100 lb  
(PN 22335, 17406, 17407, 17408)

HPS (6 kg)  
(PN 116475)

### Specifications

- Full Scale Output:**  
25 to 100 lb: 3.0 mV/V  
6 kg: 2.0 mV/V
- Output Resistance:**  
350 (± 7) ohm
- Input Resistance:**  
400 (± 6) ohm
- Material/Finish:**  
Stainless steel
- Temperature:**  
Operating:  
0 °F to 150 °F (-18 °C to 65 °C)
- Seal Type:**  
Welded-seal, IP67
- Safe Overload:**  
150% full scale
- Rated Excitation:**  
5 to 10 VAC (15 V maximum)
- Combined Error:**  
0.03% full scale
- Non-repeatability:**  
0.01% full scale
- Insulation Resistance:**  
5,000 megohm
- Cable Length:**  
10 ft
- Cable Color Code:**  
Green +Excitation  
Black -Excitation  
White +Signal  
Red -Signal
- Warranty:**  
One-year limited
- Approvals:**  
cFMus



Picture is a representation of actual product

### Approvals

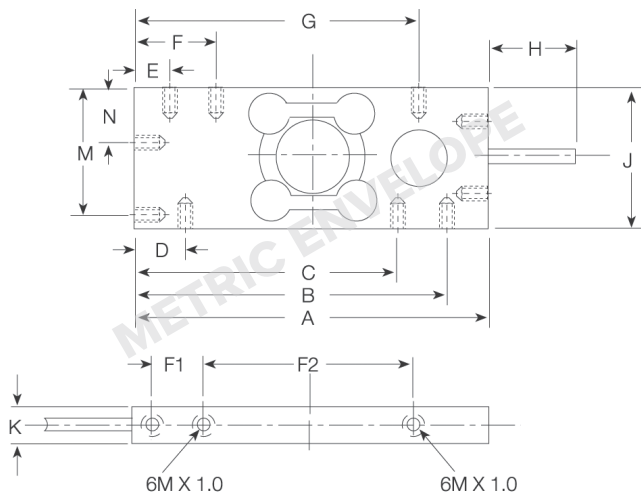


### Order Information

Load Rating	Part #	Est. Weight	Price
6 kg	22334	2 lb	\$652.00
12 kg	109131	2 lb	\$652.00
30 kg	115336	2 lb	\$736.00

### Dimensions

Rated Capacity	A	B	C	D	E	F	F1	F2	G	H	J	K	M	N
kg/mm														
6 to 30	130	117	98	23	14	33	19	75	108	25	50	19	44	20



### Specifications

- Full Scale Output:**  
2.0 mV/V
- Output Resistance:**  
350 (± 3.5) ohm
- Input Resistance:**  
350 (± 3.5) ohm
- Material/Finish:**  
Stainless steel
- Temperature:**  
Operating:  
0 °F to 150 °F (-18 °C to 65 °C)
- Seal Type:**  
Welded-seal, IP67
- Safe Overload:**  
150% full scale
- Rated Excitation:**  
5 to 10 VDC (15 V maximum)
- Combined Error:**  
0.03% full scale
- Non-repeatability:**  
0.01% full scale
- Insulation Resistance:**  
5,000 megohm
- Cable Length:**  
20 ft
- Cable Color Code:**  
Green +Excitation  
Black -Excitation  
White +Signal  
Red -Signal
- Warranty:**  
One-year limited
- Approvals:**  
cFMus

**AX3040**

Alloy Steel, Environmentally Sealed, IP66



Picture is a representation of actual product

**Specifications****Full Scale Output:**

0.5 mV/V at 12,500 lb

**Output Resistance:**

350 ohm (nominal)

**Input Resistance:**

350 ohm (nominal)

**Material/Finish:**

Alloy steel

**Temperature:**

Operating:

14 °F to 104 °F (-10 °C to 40 °C)

**Seal Type:**

Environmentally sealed, IP66

**Manufacturer Model Number:**

8300420-10

**Rated Excitation:**

15 VDC

**Nonlinearity:**

±1.0% full scale

**Insulation Resistance:**

5,000 megohm at 50 VDC

**Warranty:**

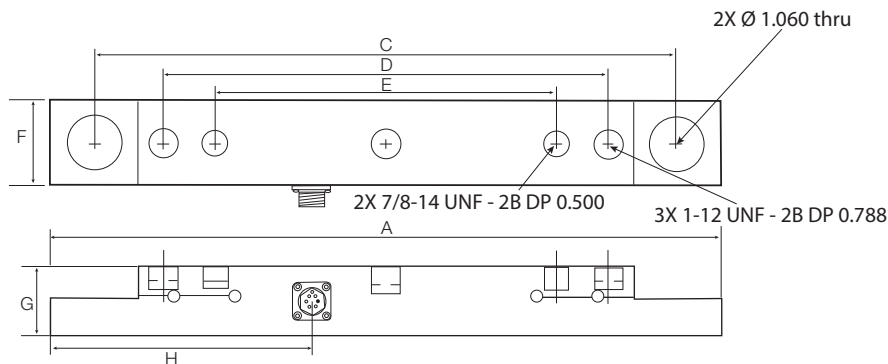
One-year limited

**Order Information**

Load Rating	Part #	Est. Weight	Price
20,000 lb	<b>111766</b>	30 lb	\$1,170.00

**Dimensions**

Rated Capacity	A	B	C	D	E	F	G	H
20,000 lb/in	22.60	24.60	19.60	15.00	11.50	2.84	2.38	8.80





# VPG Sensortronics

## TABLE OF CONTENTS

### S-BEAMS

Page 275

**60001, ALLOY STEEL**



Suitable for single- or multiple-cell tension load applications. Nickel plated, high-alloy steel construction. Complete with 20 ft of load cell cable and full environmental protection with stainless steel side plates. Capacities range from 25 lb to 20,000 lb. Capacities of 5,000 lb or higher have standardized output for multiple-cell installations.



Page 276

**60050, STAINLESS STEEL**



Suitable for single- or multiple-cell applications. Complete with 20 ft of load cell cable and full environmental protection with stainless steel side plates. Stainless steel construction for added corrosion protection. Capacities range from 250 lb to 20,000 lb. Capacities of 5,000 lb or higher have standardized output for multiple-cell installations.



Page 277

**60063, STAINLESS STEEL**



Welded-seal, stainless steel, S-beam load cell designed for compression and tension. Ideal for scale conversions and general-purpose weighing. NTEP Certified capacities range from 500 lb to 5,000 lb; non-NTEP Certified capacity of 10,000 lb.



### SINGLE-ENDED

Page 278

**65023A-5297, ALLOY STEEL**



This model is manufactured from alloy steel and is nickel-plated to provide protection from the elements. Custom featured with mV/V/ohm calibration and 8.5 ft of load cell cable for 1,000 lb and 2,500 lb capacities, and 10 ft for 5,000 lb capacity. This model was originally designed for Fairbanks Scales® under part number 65023-XX-5164.



Page 279

**65023A-5107-10, ALLOY STEEL**



The 65023A-5107-10 is a replacement load cell for the previously offered 65023-5141 VPG® Sensortronics cell. This model was previously specific to Pennsylvania Scale and features 10 ft of load cell cable. Available in 1,000 lb and 2,500 lb capacities.



Page 280

**65023A-5507, ALLOY STEEL**



The 65023A-XX-5507 is a low profile version of the 65023A-XX-5107 at just 0.75 in high. Available in 1,000 lb and 2,500 lb capacities.



Page 281

**65023A, ALLOY STEEL**



Designed for low-profile floor scales. Environmentally protected with stainless steel side plates. Nickel-plated alloy steel with a threaded loading hole. Capacities from 250 lb to 20,000 lb.



## SINGLE-ENDED BEAMS

Page 282

### 65023SS, STAINLESS STEEL



Designed for low-profile floor scales. Environmentally protected with stainless steel side plates. Stainless steel and a threaded hole for loading. Available in 250 lb, 500 lb, 15,000 lb and 20,000 lb capacities.



Page 283

### 65023S, STAINLESS STEEL



Designed for low-profile floor scales. Environmentally protected with stainless steel side plates. Stainless steel construction and a threaded hole for loading. Capacities range from 1,000 lb to 10,000 lb.



Page 284

### 65083, STAINLESS STEEL



This welded-seal precision load cell offers exceptional performance and reliability in hostile environment applications typical of food and chemical processing. Designed for single- or multiple-cell installations, the 65083 has a threaded load hole for easy adaptation of mounting hardware or leveling feet typical of floor scales. Capacities range from 1,000 lb to 10,000 lb. Complete with 20 ft of load cell cable.



Page 285

### 65083S, STAINLESS STEEL



This precision load cell offers exceptional performance and reliability in hostile environment applications typical of food and chemical processing. Designed for single- or multiple-cell installations, the 65083S is provided with a threaded load hole for easy adaptation of mounting hardware or leveling feet typical of floor scales. Capacities range from 1,000 lb to 10,000 lb. Complete with 20 ft of load cell cable.



Page 286

### 60040, ALLOY STEEL



Designed for low-profile, single- or multiple-cell weighing applications. Complete with 20 ft of load cell cable. Nickel plated, high-alloy steel construction, environmentally protected with a neoprene sleeve. Capacities range from 25 lb to 500 lb.



## SINGLE POINTS

Page 287

### 60048SS, STAINLESS STEEL



Load cell specifically designed for heavy-duty, off-center loads on a 20 x 20 inch platform. Stainless steel construction specially designed for washdown situations. Complete with 10 ft of load cell cable. 1,000 lb capacity load cell may be used with 30 x 30 inch platform. Capacities range from 50 lb to 1,000 lb.



Page 288

### 60051, STAINLESS STEEL



Designed as a replacement for the NCI® Mark III in hostile environments. Stainless steel, moisture-resistant single-point cell. Complete with 10 ft of load cell cable. 10 lb to 25 lb cells may be used with a base size of 8 x 8 inch; 50 lb to 200 lb cells may be used with a base size of 12 x 12 inch.



Page 289













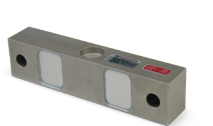








### 60060, ALUMINUM



High-capacity, off-center load cell accurately weighs loads on a 30 x 30 inch platform. Aluminum clear anodized construction. Capacities range from 100 lb to 2,000 lb. Complete with 10 ft of load cell cable.



## DOUBLE-ENDED BEAMS

<p>Page 290</p> 	<p><b>65016, ALLOY STEEL</b></p> <p>Nickel plated and environmentally protected with stainless steel side plates. Designed for center loading compatibility with RL1600 tank weighing assemblies. Capacities range from 1,000 lb to 75,000 lb. Complete with 25 ft of load cell cable.</p>	
<p>Page 291</p> 	<p><b>65016W, STAINLESS STEEL</b></p> <p>Offered in stainless steel and with welded-seal. Designed for center loading compatibility with RL1600 tank weighing assemblies. Capacities range from 1,000 lb to 75,000 lb. Complete with 25 ft of load cell cable.</p>	
<p>Page 292</p> 	<p><b>65016WH, STAINLESS STEEL</b></p> <p>Stainless steel, full hermetic version of the popular 65016 series load cells. Capacities range from 1,000 lb to 25,000 lb. Complete with 25 ft of load cell cable.</p>	
<p>Page 293</p> 	<p><b>65058A, ALLOY STEEL</b></p> <p>Nickel plated and environmentally protected with stainless steel side plates. Designed for center link loading and compatibility with the MVS or similar suspension systems up to 75,000 lb. NTEP Certified capacities range from 20,000 lb to 125,000 lb; non-NTEP Certified capacity of 10,000 lb. Complete with 35 ft of load cell cable.</p>	 
<p>Page 294</p> 	<p><b>65058S, STAINLESS STEEL</b></p> <p>The Vishay Sensortronics 65058S is a double-ended beam specifically designed for harsh environment vehicle weighing applications. This stainless steel, welded-seal load cell is an ideal substitute for traditional alloy steel, nickel plated units where corrosive or washdown conditions exist. This model is compatible with both the MVS and TSA mounts, and is available in capacities ranging from 20,000 lb to 125,000 lb. Each unit is provided with a standard 35 ft of load cell cable.</p>	 
<p>Page 295</p> 	<p><b>65061A, ALLOY STEEL</b></p> <p>This unique double-ended beam has been a standard model in Fairbanks Scales® truck scales for years. This NTEP Certified, zinc plated, alloy steel load cell (stainless, welded-seal in 50,000 lb is also available) is sealed with a potting compound that has been proven through the test of time in numerous applications. Capacities available in 40,000 lb and 50,000 lb. Complete with 60 ft of copper over braid load cell cable.</p>	 
<p>Page 296</p> 	<p><b>65040A, ALLOY STEEL</b></p> <p>Nickel plated and environmentally protected with stainless steel side plates. Designed for center mounting and double link loading. Capacities range from 25,000 lb to 125,000 lb. Complete with 35 ft of load cell cable.</p>	 
<p>Page 297</p> 	<p><b>65040S, STAINLESS STEEL</b></p> <p>This model is an upgraded version of the VPG® Sensortronics® 65040A, and is offered in stainless steel, with welded sealing. The center-supported, double-ended beam design is compatible with Unilink/Translink™ mounts. Ideal for applications where harsh chemicals and washdown conditions exist. Available in capacities ranging from 25,000 lb to 75,000 lb, and is provided with 35 ft of load cell cable.</p>	 

## DOUBLE-ENDED BEAMS

Page 298

### 65040A-1127W, ALLOY STEEL



This center-loaded, double-link load cell is made of alloy steel. It is a replacement for the RL75223 or VPG® Revere 5223 load cell, and is NTEP Certified. It comes with 40 ft of cable, and is available in 50,000 lb, 65,000 lb and 100,000 lb capacities.



## ROCKER COLUMN

Page 299

### 65114, STAINLESS STEEL



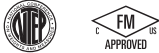
The 65114 was specially designed to provide the superior protection of stainless steel and hermetic sealing for truck scale applications. This model is built to provide a high degree of accuracy while protecting against the severe conditions that truck scale load cells often endure. Available in two different heights, this product can easily be adapted to existing applications.





Picture is a representation of actual product

**Approvals**



**Interchangeable Products**

- RICE LAKE WEIGHING SYSTEMS  
**RL20001I** ..... page 99
- VPG® CELTRON®  
**STC**.....page 188

**Weigh Module Available**

- RICE LAKE WEIGHING SYSTEMS  
**ITCM Isolated Tension  
Cell Mount**..... page 38

**Specifications**

**Full Scale Output:**  
3.0 mV/V

**Output Resistance:**  
349 to 355 ohm

**Input Resistance:**  
343 to 450 ohm

**Material/Finish:**  
High-alloy steel, nickel plated

**Temperature:**  
Compensated:  
14 °F to 104 °F (-10 °C to 40 °C)  
Operating:  
0 °F to 150 °F (-18 °C to 65 °C)

**Seal Type:**  
Environmentally sealed, IP67

**Safe Overload:**  
150% full scale

**Rated Excitation:**  
5 to 10 VDC (15 V maximum)

**Combined Error:**  
0.03% full scale

**Insulation Resistance:**  
5,000 megohm

**Cable Length:**  
20 ft

**Cable Diameter:**  
0.200 in  
Polyurethane jacket

**Cable Color Code:**  
Red +Excitation  
Black -Excitation  
Green +Signal  
White -Signal

**Warranty:**  
One-year limited

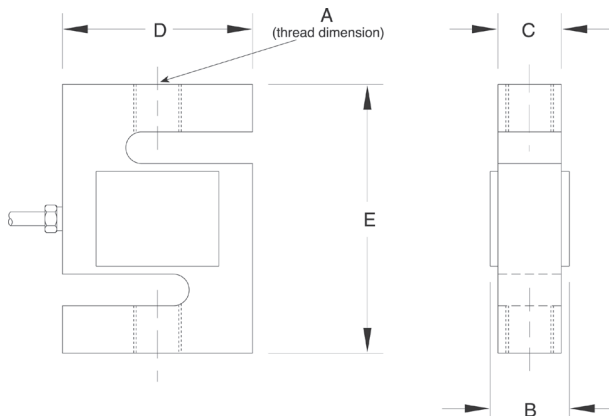
**Approvals:**  
cFMus  
NTEP

**Order Information**

Load Rating	Part #	Est. Weight	Price
25 lb	61116	2 lb	\$312.00
50 lb	61117	2 lb	\$312.00
100 lb	61118	2 lb	\$312.00
200 lb	61119	2 lb	\$312.00
250 lb	61120	2 lb	\$312.00
300 lb	61121	2 lb	\$312.00
500 lb	61122	2 lb	\$312.00
750 lb	61123	2 lb	\$312.00
1,000 lb	61124	2 lb	\$312.00
1,500 lb	61125	2 lb	\$312.00
2,000 lb	61126	2 lb	\$312.00
2,500 lb	61127	2 lb	\$355.00
3,000 lb	61128	2 lb	\$355.00
5,000 lb	61129	4 lb	\$503.00
10,000 lb	61130	5 lb	\$503.00
15,000 lb	61131	7 lb	\$609.00
20,000 lb	61132	18 lb	\$949.00

**Dimensions**

Rated Capacity	A	B	C	D	E
lb/in					
25 to 200	1/4-28 UNF	0.65	0.50	2.00	2.50
250 to 300	3/8-24 UNF	0.75	0.50	2.00	3.00
500 to 2,000	1/2-20 UNF	1.00	0.75	2.00	3.00
2,500 to 3,000	1/2-20 UNF	1.25	1.00	2.00	3.00
5,000	3/4-16 UNF	1.25	1.00	3.00	4.25
10,000	3/4-16 UNF	1.25	1.00	3.50	4.75
15,000	1-14 UNS	1.50	1.25	4.00	5.50
20,000	1 1/4-12 UNF	2.25	2.00	5.00	7.00





Picture is a representation of actual product

### Approvals

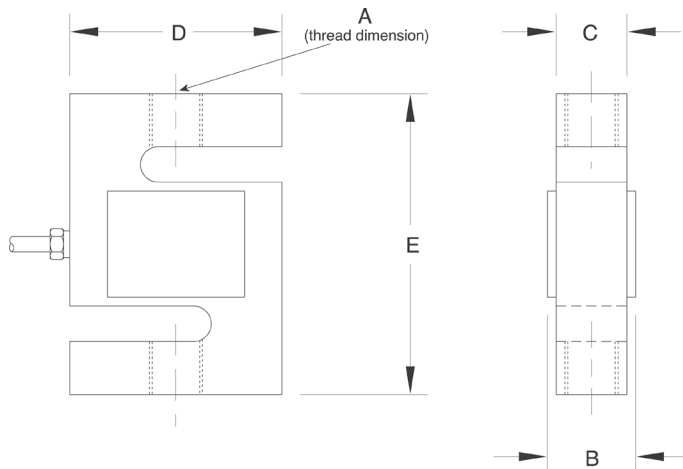


### Order Information

Load Rating	Part #	Est. Weight	Price
250 lb	17077	2 lb	\$344.00
500 lb	17078	3 lb	\$344.00
750 lb	17079	3 lb	\$344.00
1,000 lb	17080	3 lb	\$344.00
1,500 lb	17081	3 lb	\$344.00
2,000 lb	17082	3 lb	\$387.00
2,500 lb	17083	3 lb	\$387.00
3,000 lb	17084	3 lb	\$387.00
5,000 lb	17085	4 lb	\$583.00
10,000 lb	17086	5 lb	\$583.00
15,000 lb	17087	8 lb	\$689.00
20,000 lb	17088	16 lb	\$1,033.00

### Dimensions

Rated Capacity	A	B	C	D	E
lb/in					
250	3/8-24 UNF	0.75	0.50	2.00	3.00
500 to 1,500	1/2-20 UNF	1.00	0.75	2.00	3.00
2,000 to 3,000	1/2-20 UNF	1.25	1.00	2.00	3.00
5,000	3/4-16 UNF	1.25	1.00	3.00	4.25
10,000	3/4-16 UNF	1.25	1.00	3.50	4.75
15,000	1-14 UNS	1.50	1.25	4.00	5.50
20,000	1 1/4-12 UNF	2.00	1.94	5.00	7.00



### Interchangeable Products

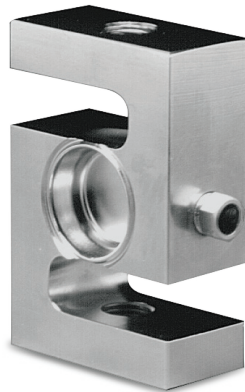
VPG® CELTRON®  
STC SS..... page 189

### Weigh Module Available

RICE LAKE WEIGHING SYSTEMS  
ITCM Isolated Tension  
Cell Mount..... page 38

### Specifications

- Full Scale Output:**  
3.0 mV/V
- Output Resistance:**  
349 to 355 ohm
- Input Resistance:**  
343 to 450 ohm
- Material/Finish:**  
Stainless steel
- Temperature:**  
Operating:  
0 °F to 150 °F (-18 °C to 65 °C)
- Seal Type:**  
Environmentally sealed, IP67
- Safe Overload:**  
150% full scale
- Rated Excitation:**  
5 to 10 VDC (15 V maximum)
- Nonlinearity:**  
0.03% full scale
- Hysteresis:**  
0.02% full scale
- Insulation Resistance:**  
5,000 megohm
- Cable Length:**  
20 ft
- Cable Diameter:**  
0.200 in  
Polyurethane jacket
- Cable Color Code:**  
Red +Excitation  
Black -Excitation  
Green +Signal  
White -Signal
- Warranty:**  
One-year limited
- Approvals:**  
cFMus



Picture is a representation of actual product

**Approvals**

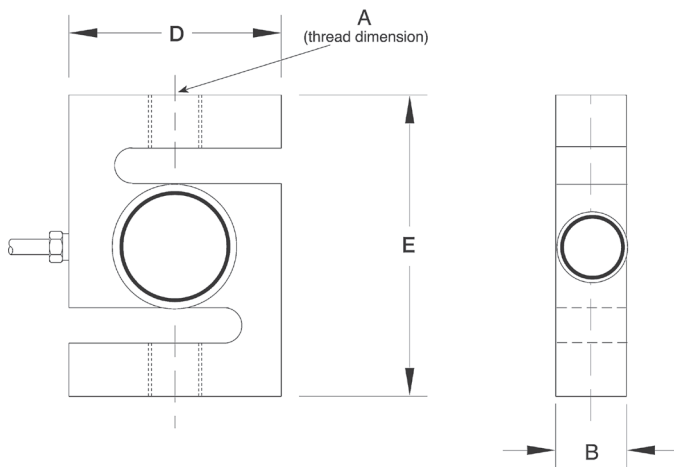


**Order Information**

Load Rating	Part #	Est. Weight	Price
<b>NTEP Certified</b>			
500 lb	<b>36272</b>	3 lb	\$875.00
750 lb	<b>36273</b>	3 lb	\$875.00
1,000 lb	<b>36274</b>	3 lb	\$875.00
1,500 lb	<b>36275</b>	3 lb	\$875.00
2,000 lb	<b>36276</b>	3 lb	\$875.00
2,500 lb	<b>36277</b>	3 lb	\$875.00
3,000 lb	<b>36278</b>	3 lb	\$875.00
5,000 lb	<b>36279</b>	4 lb	\$1,160.00
<b>Non-NTEP Certified</b>			
10,000 lb	<b>36280</b>	4 lb	\$1,160.00

**Dimensions**

Rated Capacity	A	B	D	E
lb/in				
500 to 3,000	1/2-20 UNF	1.00	2.00	3.00
5,000 to 10,000	3/4-16 UNF	1.00	3.50	4.75



**Interchangeable Products**

RICE LAKE WEIGHING SYSTEMS  
**RL20001HE**.....page 100

**Weigh Module Available**

RICE LAKE WEIGHING SYSTEMS  
**ITCM Isolated Tension Cell Mount**..... page 38

**Specifications**

**Full Scale Output:**

2.0 mV/V

**Output Resistance:**

349 to 355 ohm

**Input Resistance:**

349 to 350 ohm

**Material/Finish:**

Stainless steel

**Temperature:**

Compensated:  
14 °F to 104 °F (-10 °C to 40 °C)

Operating:  
0 °F to 150 °F (-18 °C to 65 °C)

**Seal Type:**

Welded-seal, IP68

**Safe Overload:**

150% full scale

**Rated Excitation:**

5 to 10 VDC (15 V maximum)

**Combined Error:**

0.03% full scale

**Insulation Resistance:**

5,000 megohm

**Cable Length:**

20 ft

**Cable Diameter:**

0.200 in  
Polyurethane jacket

**Cable Color Code:**

Red +Excitation  
Black -Excitation  
Green +Signal  
White -Signal

**Warranty:**

One-year limited

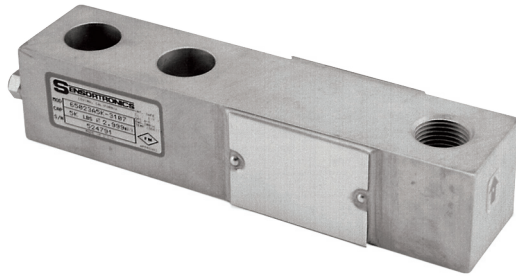
**Approvals:**

cFMus  
NTEP

# 65023A-5297

Alloy Steel, Environmentally Sealed, NTEP Certified 1:5,000 Class III Multiple Cell, IP67

SENSORTRONICS®  
V/pc®



Picture is a representation of actual product

### Approvals



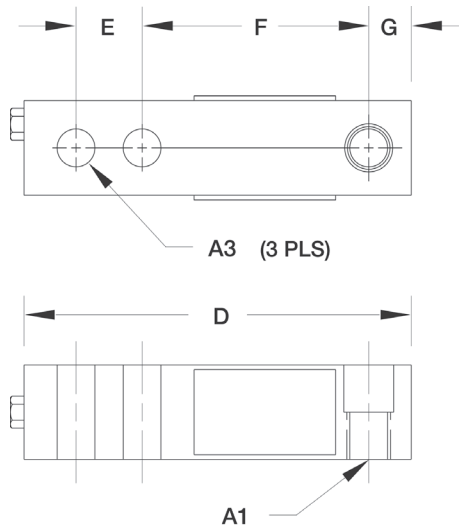
### Order Information

Load Rating	Part #	Est. Weight	Price
1,000 lb	<b>68825</b>	3 lb	\$312.00
2,500 lb	<b>68824</b>	3 lb	\$312.00
5,000 lb LE	<b>156957</b>	5 lb	\$398.00

LE=large envelope

### Dimensions

Rated Capacity	A1	A2	A3	B	C	D	E	F	G
1,000 to 2,500 lb/in	1/2-20 UNF	0.62	0.53	1.25	1.25	5.12	1.00	3.00	0.50
5,000 LE	3/4-16 UNF	0.75	0.78	1.50	1.50	6.75	1.50	3.75	0.75



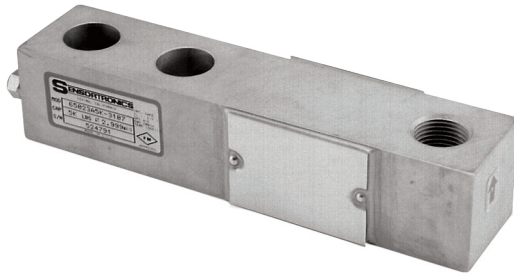
### Interchangeable Products

FAIRBANKS®  
**65023A-XX-5164**

### Specifications

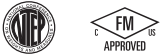
- Full Scale Output:**  
3.0 mV/V  
mV/V/ohm calibration
- Output Resistance:**  
349 to 355 ohm
- Input Resistance:**  
343 to 357 ohm
- Material/Finish:**  
High-alloy steel, nickel plated
- Temperature:**  
Compensated:  
14 °F to 104 °F (-10 °C to 40 °C)  
Operating:  
0 °F to 150 °F (-18 °C to 65 °C)
- Seal Type:**  
Environmentally sealed, IP67
- Safe Overload:**  
150% full scale
- Safe Sideload:**  
100% full scale
- Rated Excitation:**  
5 to 10 V
- Combined Error:**  
0.02% full scale
- Insulation Resistance:**  
5,000 megohm
- Deflection at Capacity:**  
1,000 lb: 0.013 in  
2,500 to 5,000 lb: 0.015 in
- Cable Length:**  
1,000 to 2,500 lb: 8.5 ft  
5,000 lb: 10 ft
- Cable Diameter:**  
0.200 in  
Polyurethane jacket
- Cable Color Code:**  
Red +Excitation  
Black -Excitation  
Green +Signal  
White -Signal
- Warranty:**  
One-year limited
- Approvals:**  
cFMus  
NTEP





Picture is a representation of actual product

**Approvals**

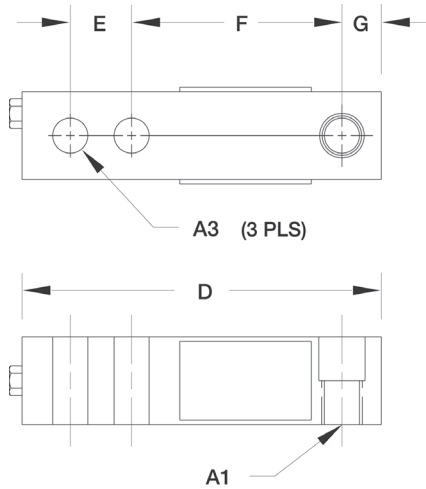


**Order Information**

Load Rating	Part #	Est. Weight	Price
1,000 lb	<b>68827</b>	3 lb	\$312.00
2,500 lb	<b>68826</b>	3 lb	\$312.00

**Dimensions**

Rated Capacity	A1	A2	A3	B	C	D	E	F	G
lb/in									
1,000 to 2,500	1/2-20 UNF	0.62	0.53	1.25	1.25	5.12	1.00	3.00	0.50



**Interchangeable Products**

PENNSYLVANIA®  
**65023A-XX-5141**

**Specifications**

- Full Scale Output:**  
3.0 mV/V  
mV/V/ohm calibrated
- Output Resistance:**  
349 to 355 ohm
- Input Resistance:**  
343 to 357 ohm
- Material/Finish:**  
High-alloy steel, nickel plated
- Temperature:**  
Compensated:  
14 °F to 104 °F (-10 °C to 40 °C)  
Operating:  
0 °F to 150 °F (-18 °C to 65 °C)
- Seal Type:**  
Environmentally sealed, IP67
- Safe Overload:**  
150% full scale
- Safe Sideload:**  
100% full scale
- Rated Excitation:**  
5 to 10 V
- Combined Error:**  
0.02% full scale
- Insulation Resistance:**  
5,000 megohm
- Deflection at Capacity:**  
1,000 lb: 0.013 in  
2,500 lb: 0.015 in
- Cable Length:**  
10 ft
- Cable Diameter:**  
0.200 in  
Polyurethane jacket
- Cable Color Code:**  
Red +Excitation  
Black -Excitation  
Green +Signal  
White -Signal
- Warranty:**  
One-year limited
- Approvals:**  
cFMus  
NTEP

VPG®  
**SENSORTRONICS®**

# 65023A-5507

Alloy Steel, Environmentally Sealed, NTEP Certified 1:5,000 Class III Multiple Cell, IP67



Picture is a representation of actual product

### Approvals

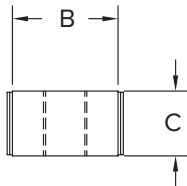
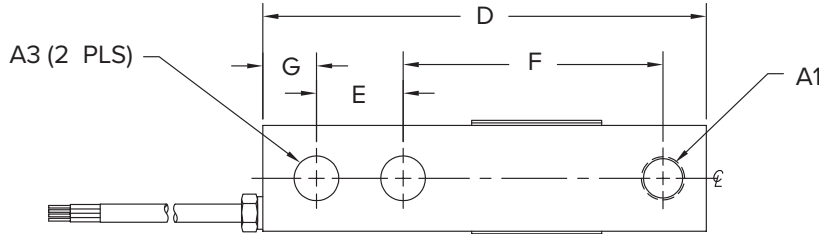


### Order Information

Load Rating	Part #	Est. Weight	Price
1,000 lb	107785	3 lb	\$312.00
2,500 lb	107786	3 lb	\$312.00

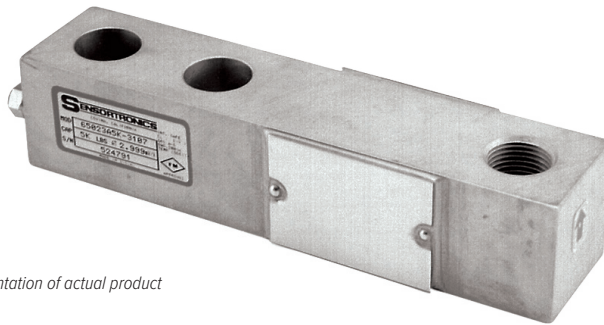
### Dimensions

Rated Capacity	A1	A3	B	C	D	E	F	G
lb/in								
1,000 to 2,500	1/2-20 UNF-2B	0.516	1.22	0.75	5.12	1.00	3.00	0.62



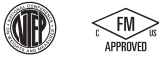
### Specifications

- Full Scale Output:**  
3.0 mV/V
- Output Resistance:**  
349 to 355 ohm
- Input Resistance:**  
343 to 357 ohm
- Material/Finish:**  
High-alloy steel, nickel plated
- Temperature:**  
Compensated:  
14 °F to 104 °F (-10 °C to 40 °C)  
Operating:  
0 °F to 150 °F (-18 °C to 65 °C)
- Seal Type:**  
Environmentally sealed, IP67
- Safe Overload:**  
150% full scale
- Safe Sideload:**  
100% full scale
- Rated Excitation:**  
5 to 10 V
- Combined Error:**  
0.02% full scale
- Insulation Resistance:**  
5,000 megohm
- Deflection at Capacity:**  
1,000 lb: 0.013 in  
2,500 lb: 0.015 in
- Cable Length:**  
10 ft
- Cable Diameter:**  
0.200 in  
Polyurethane jacket
- Cable Color Code:**  
Red +Excitation  
Black -Excitation  
Green +Signal  
White -Signal
- Warranty:**  
One-year limited
- Approvals:**  
cFMus  
NTEP



Picture is a representation of actual product

**Approvals**



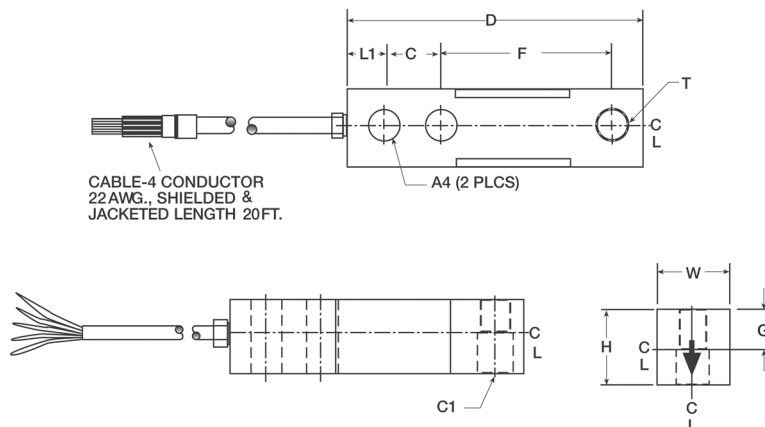
**Order Information**

Load Rating	Part #	Est. Weight	Price
<b>NTEP Certified</b>			
1,000 lb	21507	3 lb	\$312.00
1,500 lb	69832	3 lb	\$312.00
2,000 lb	21508	3 lb	\$312.00
2,500 lb	21509	3 lb	\$312.00
3,000 lb	21510	3 lb	\$312.00
4,000 lb	21511	3 lb	\$312.00
5,000 lb SE	102884	3 lb	\$312.00
5,000 lb LE	21512	5 lb	\$398.00
10,000 lb	21513	5 lb	\$398.00
<b>Non-NTEP Certified</b>			
250 lb	176426	3 lb	\$312.00
500 lb	17125	3 lb	\$312.00
15,000 lb	17155	9 lb	\$689.00
20,000 lb	17159	10 lb	\$689.00
<b>NTEP Certified 50 ft Cable</b>			
5,000 lb SE	196716	3 lb	\$360.00

SE=small envelope; LE=large envelope

**Dimensions**

Rated Capacity	T	L1	C1	W	H	D	C	F	G
250 to 500	1/2-20 UNF	0.62	0.53	1.25	1.00	5.12	1.00	3.00	0.50
1,000 to 5,000 SE	1/2-20 UNF	0.62	0.53	1.25	1.25	5.12	1.00	3.00	0.62
5,000 LE to 10,000	3/4-16 UNF	0.75	0.78	1.50	1.50	6.75	1.50	3.75	0.75
15,000 to 20,000	1-14 UNS	1.00	1.03	2.00	2.00	8.88	2.00	4.88	1.00



CABLE-4 CONDUCTOR  
22AWG., SHIELDED &  
JACKETED LENGTH 20FT.

**Interchangeable Products**

VPG® CELTRON®  
**SQB**.....page 191

**Weigh Module Available**

RICE LAKE WEIGHING SYSTEMS  
**RL50210TA**..... page 41  
RICE LAKE WEIGHING SYSTEMS  
**RL1800 Series**..... page 52

**Specifications**

- Full Scale Output:**  
3.0 mV/V
- Output Resistance:**  
349 to 355 ohm
- Input Resistance:**  
343 to 357 ohm
- Material/Finish:**  
High-alloy steel, nickel plated
- Temperature:**  
Compensated:  
14 °F to 104 °F (-10 °C to 40 °C)  
Operating:  
0 °F to 150 °F (-18 °C to 65 °C)
- Seal Type:**  
Environmentally sealed, IP67
- Safe Overload:**  
150% full scale
- Safe Sideload:**  
100% full scale
- Rated Excitation:**  
5 to 10 V
- Nonlinearity:**  
0.03% full scale
- Hysteresis:**  
0.02% full scale
- Insulation Resistance:**  
5,000 megohm
- Deflection at Capacity:**  
250 to 1,500 lb: 0.013 in  
1,000 to 5,000 SE lb: 0.017 to 0.025 in  
5,000 LE to 10,000 lb: 0.025 to 0.035 in  
15,000 to 20,000 lb: 0.048 to 0.063 in

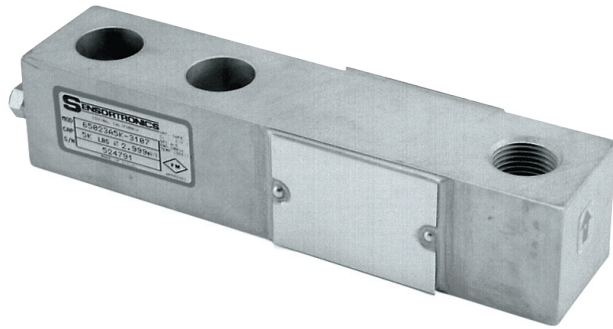
- Cable Length:**  
20 ft
- Cable Diameter:**  
0.200 in  
Polyurethane jacket
- Cable Color Code:**  
Red +Excitation  
Black -Excitation  
Green +Signal  
White -Signal
- Warranty:**  
One-year limited

**Approvals:**  
cFMus  
NTEP



# 65023SS

Stainless Steel, Environmentally Sealed, IP67



Picture is a representation of actual product

### Approvals

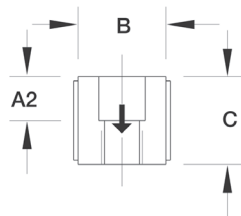
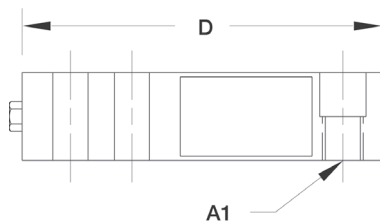
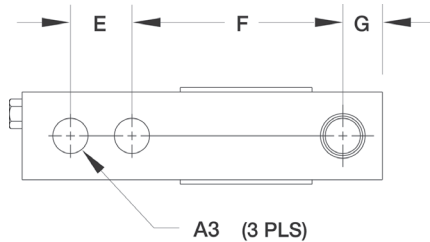


### Order Information

Load Rating	Part #	Est. Weight	Price
<b>Threaded Hole</b>			
250 lb	46499	3 lb	\$387.00
500 lb	17188	3 lb	\$387.00
15,000 lb	17156	9 lb	\$805.00
20,000 lb	17160	9 lb	\$805.00

### Dimensions

Rated Capacity	A1	A2	A3	B	C	D	E	F	G
<b>lb/in</b>									
250 to 500	1/2-20 UNF	0.50	0.53	1.25	1.00	5.12	1.00	3.00	0.50
15,000 to 20,000	1-14 UNS	1.00	1.03	2.00	2.00	8.88	2.00	4.88	1.00

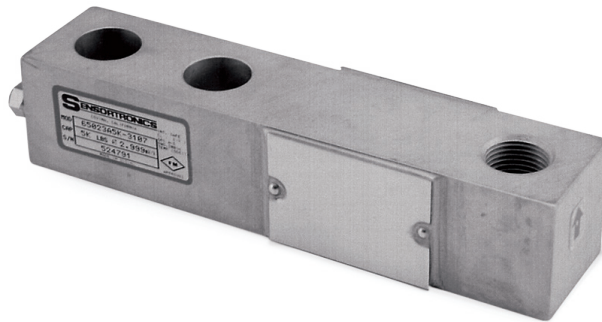


### Weigh Module Available

- RICE LAKE WEIGHING SYSTEMS  
**RL50210TA**..... page 41
- RICE LAKE WEIGHING SYSTEMS  
**RL1800 Series**..... page 52

### Specifications

- Full Scale Output:**  
3.0 mV/V
- Output Resistance:**  
349 to 355 ohm
- Input Resistance:**  
343 to 357 ohm
- Material/Finish:**  
Stainless steel
- Temperature:**  
Operating:  
0 °F to 150 °F (-18 °C to 65 °C)
- Seal Type:**  
Environmentally sealed, IP67
- Safe Overload:**  
150% full scale
- Safe Sideload:**  
100% full scale
- Rated Excitation:**  
5 to 10 VDC (15 V maximum)
- Nonlinearity:**  
0.03% full scale
- Hysteresis:**  
0.02% full scale
- Insulation Resistance:**  
5,000 megohm
- Deflection at Capacity:**  
250 to 500 lb: 0.013 in  
15,000 to 20,000 lb: 0.048 to 0.063 in
- Cable Length:**  
20 ft
- Cable Diameter:**  
0.200 in  
Polyurethane jacket
- Cable Color Code:**  
Red +Excitation  
Black -Excitation  
Green +Signal  
White -Signal
- Warranty:**  
One-year limited
- Approvals:**  
cFMus



Picture is a representation of actual product

### Approvals



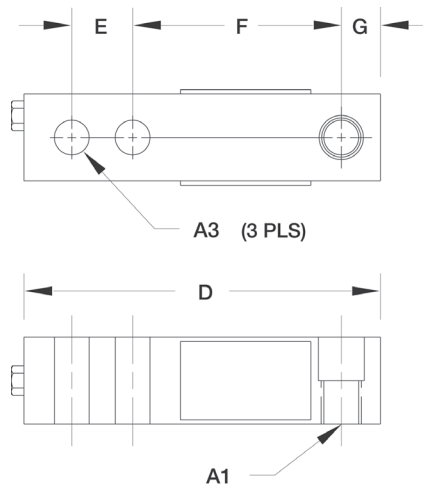
### Order Information

Load Rating	Part #	Est. Weight	Price
<b>Threaded Hole</b>			
1,000 lb	28925	3 lb	\$365.00
2,000 lb	28926	3 lb	\$365.00
2,500 lb	28927	3 lb	\$365.00
2,500 lb*	170030	3 lb	\$365.00
4,000 lb	28929	3 lb	\$365.00
5,000 lb	28930	5 lb	\$455.00
10,000 lb	28931	5 lb	\$455.00

\*65023S 2,500lb- 5513, low-profile 0.75 inches tall

### Dimensions

Rated Capacity	A1	A2	A3	B	C	D	E	F	G
1,000 to 4,000	1/2-20 UNF	0.62	0.53	1.00	1.25	5.12	1.00	3.00	0.50
5,000 to 10,000	3/4-16 UNF	0.75	0.78	1.50	1.50	6.75	1.50	3.75	0.75



### Interchangeable Products

VPG® SENSORTRONICS®  
**65023SS** ..... page 282

### Weigh Module Available

RICE LAKE WEIGHING SYSTEMS  
**RL50210TA**..... page 41  
 RICE LAKE WEIGHING SYSTEMS  
**RL1800 Series**..... page 52

### Specifications

**Full Scale Output:**

3.0 mV/V

**Output Resistance:**

349 to 355 ohm

**Input Resistance:**

343 to 357 ohm

**Material/Finish:**

Stainless steel

**Temperature:**

Compensated:

14 °F to 104 °F (-10 °C to 40 °C)

Operating:

0 °F to 150 °F (-18 °C to 65 °C)

**Seal Type:**

Environmentally sealed, IP67

**Safe Overload:**

150% full scale

**Rated Excitation:**

5 to 10 VDC (15 V maximum)

**Combined Error:**

0.02% full scale

**Insulation Resistance:**

5,000 megohm

**Deflection at Capacity:**

500 to 1,000 lb: 0.013 in

1,500 to 4,000 lb: 0.017 to 0.025 in

5,000 to 10,000 lb: 0.025 to 0.035 in

15,000 to 20,000 lb: 0.048 to 0.063 in

**Cable Length:**

20 ft

**Cable Color Code:**

Red +Excitation

Black -Excitation

Green +Signal

White -Signal

**Warranty:**

One-year limited

**Approvals:**

cFMus

NTEP



Picture is a representation of actual product

### Approvals

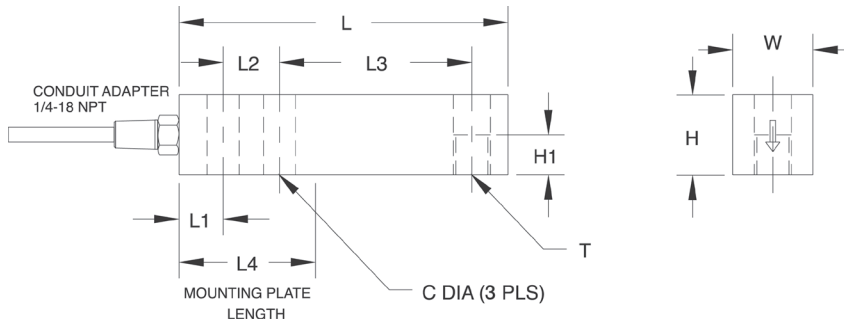


### Order Information

Load Rating	Part #	Est. Weight	Price
1,000 lb	17262	3 lb	\$439.00
2,500 lb	17263	3 lb	\$439.00
4,000 lb	17264	3 lb	\$439.00
5,000 lb	17265	5 lb	\$455.00
10,000 lb	17266	5 lb	\$455.00

### Dimensions

Rated Capacity	C	H	H1	L	L1	L2	L3	L4	T	W
1,000 to 4,000	0.53	1.22	0.61	5.12	0.62	1.00	3.00	2.25	1/2-20 UNF	1.22
5,000 to 10,000	0.78	1.50	0.75	6.75	0.75	1.50	3.75	3.00	3/4-16 UNF	1.50



### Interchangeable Products

VPG® CELTRON®  
SQB-HSS ..... page 192

### Weigh Module Available

RICE LAKE WEIGHING SYSTEMS  
RL50210TA ..... page 41  
RICE LAKE WEIGHING SYSTEMS  
RL1800 Series ..... page 52

### Specifications

**Full Scale Output:**

3.0 mV/V

**Output Resistance:**

349 to 355 ohm

**Input Resistance:**

343 to 357 ohm

**Material/Finish:**

Stainless steel

**Temperature:**

Operating:  
0 °F to 150 °F (-18 °C to 65 °C)

**Seal Type:**

Welded-seal, IP67

(Conduit is recommended for maximum protection against the ingress of water and moisture through the cable entry.)

**Safe Overload:**

150% full scale

**Safe Sideload:**

100% full scale

**Rated Excitation:**

5 to 10 VDC (15 V maximum)

**Combined Error:**

0.03% full scale

**Non-repeatability:**

0.01% full scale

**Insulation Resistance:**

5,000 megohm

**Deflection at Capacity:**

1,000 to 4,000 lb: 0.008 to 0.026 in  
5,000 to 10,000 lb: 0.030 to 0.055 in

**Cable Length:**

20 ft

**Cable Diameter:**

0.220 in  
PTFE jacket

**Conduit Adapter Size:**

1/4-18 NPT

**Cable Color Code:**

Red +Excitation  
Black -Excitation  
Green +Signal  
White -Signal

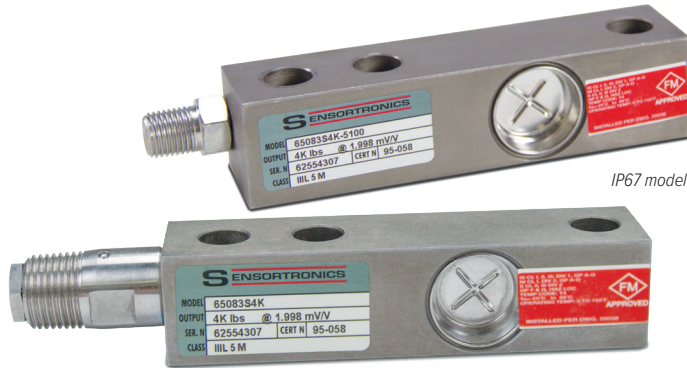
**Warranty:**

One-year limited

**Approvals:**

cFMus

Stainless Steel, Welded Seal, Hermetically Sealed, NTEP Certified 1:5,000 Class III Multiple Cell, IP67/IP69K



Picture is a representation of actual product

IP69K model

### Approvals

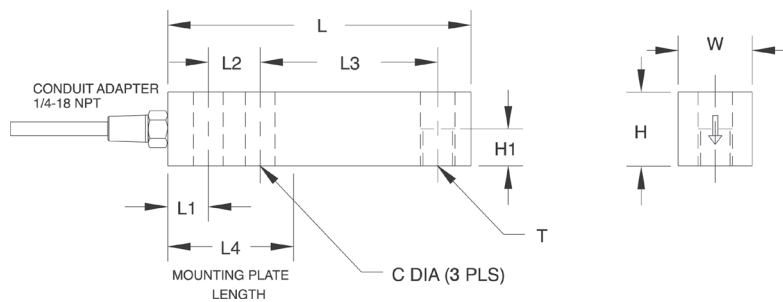


### Order Information

Load Rating	Part #	Est. Weight	Price
<b>Welded Seal IP67</b>			
1,000 lb	33552	3 lb	\$450.00
2,500 lb	33553	3 lb	\$450.00
4,000 lb	33554	3 lb	\$450.00
5,000 lb	33555	5 lb	\$503.00
10,000 lb	33556	5 lb	\$503.00
<b>Hermetically Sealed IP69K</b>			
1,000 lb	33734	3 lb	\$535.00
2,500 lb	33735	3 lb	\$535.00
4,000 lb	33736	16 lb	\$535.00

### Dimensions

Rated Capacity	C	H	H1	L	L1	L2	L3	L4	T	W
1,000 to 4,000 lb/in	0.53	1.22	0.61	5.12	0.62	1.00	3.00	2.25	1/2-20 UNF	1.22
5,000 to 10,000	0.78	1.50	0.75	6.75	0.75	1.50	3.75	3.00	3/4-16 UNF	1.50



### Weigh Module Available

- RICE LAKE WEIGHING SYSTEMS  
**RL50210TA**..... page 41
- RICE LAKE WEIGHING SYSTEMS  
**RL1800 Series**..... page 52

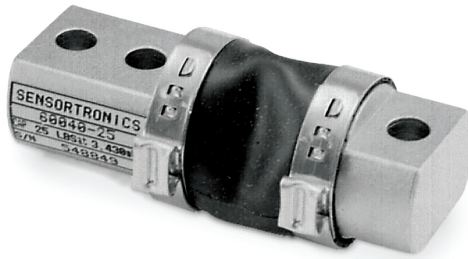
### Specifications

- Full Scale Output:**  
2.0 mV/V
- Output Resistance:**  
349 to 355 ohm
- Input Resistance:**  
343 to 357 ohm
- Material/Finish:**  
Stainless steel
- Temperature:**  
Compensated:  
14 °F to 104 °F (-10 °C to 40 °C)  
Operating:  
0 °F to 150 °F (-18 °C to 65 °C)
- Seal Type:**  
Welded-seal, IP67  
Hermetically sealed, IP69K
- Safe Overload:**  
150% full scale
- Safe Sideload:**  
100% full scale
- Rated Excitation:**  
5 to 10 VDC (15 V maximum)
- Combined Error:**  
0.02% full scale
- Non-repeatability:**  
0.01% full scale
- Insulation Resistance:**  
5,000 megohm
- Deflection at Capacity:**  
1,000 to 4,000 lb: 0.012 in  
5,000 to 10,000 lb: 0.030 in
- Cable Length:**  
20 ft
- Cable Diameter:**  
0.220 in  
PTFE jacket
- Conduit Adapter Size:**  
IP67: 1/4-18 NPT  
IP69K: 1/2-14 NPT
- Cable Color Code:**  
Red +Excitation  
Black -Excitation  
Green +Signal  
White -Signal
- Warranty:**  
One-year limited
- Approvals:**  
cFMus  
NTEP

VPG®  
SENSORTRONICS®

# 60040

Alloy Steel, Environmentally Sealed, IP65



Picture is a representation of actual product

### Approvals

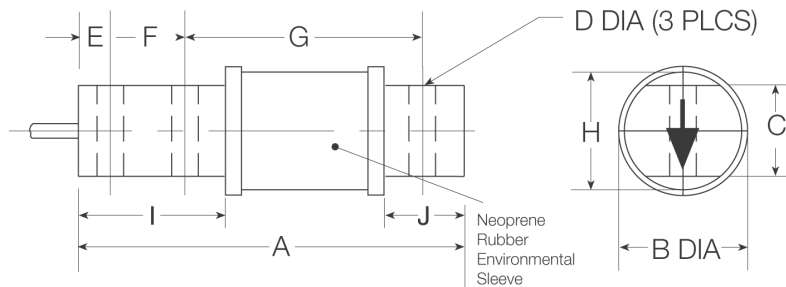


### Order Information

Load Rating	Part #	Est. Weight	Price
25 lb	17369	2 lb	\$260.00
50 lb	17370	2 lb	\$260.00
75 lb	17371	2 lb	\$260.00
100 lb	17372	2 lb	\$260.00
150 lb	17373	2 lb	\$260.00
250 lb	17374	2 lb	\$260.00
500 lb	17375	2 lb	\$260.00

### Dimensions

Rated Capacity	A	B	C	D	E	F	G	H	I	J
lb/in										
25 to 500	2.81	1.30	0.62	0.26	0.25	0.50	1.81	1.00	1.00	0.50



### Interchangeable Products

RICE LAKE WEIGHING SYSTEMS  
**RL50210**..... page 122  
 VPG® REVERSE  
**5503**  
 ARTECH®  
**50210**

### Specifications

**Full Scale Output:**  
3.0 mV/V

**Output Resistance:**  
349 to 355 ohm

**Input Resistance:**  
380 to 450 ohm

**Material/Finish:**  
High-alloy steel, nickel plated

**Temperature:**  
Operating:  
0 °F to 150 °F (-18 °C to 65 °C)

**Seal Type:**  
Environmentally sealed with a neoprene sleeve, IP65

**Safe Overload:**  
150% full scale

**Rated Excitation:**  
5 to 10 VDC (15 V maximum)

**Nonlinearity:**  
0.03% full scale

**Hysteresis:**  
0.02% full scale

**Insulation Resistance:**  
5,000 megohm

**Deflection at Capacity:**  
 25 to 50 lb: 0.008 in  
 75 to 100 lb: 0.010 in  
 150 lb: 0.012 in  
 250 lb: 0.016 in  
 500 lb: 0.025 in

**Cable Length:**  
20 ft

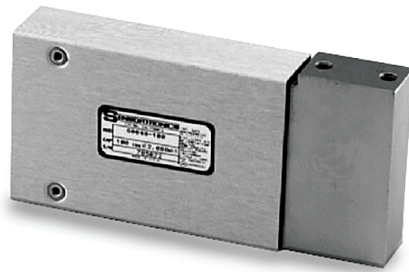
**Cable Diameter:**  
0.200 in  
Polyurethane jacket

**Cable Color Code:**  
 Red +Excitation  
 Black -Excitation  
 Green +Signal  
 White -Signal

**Warranty:**  
One-year limited

**Approvals:**  
cFMus





Picture is a representation of actual product

**Approvals**



**Order Information**

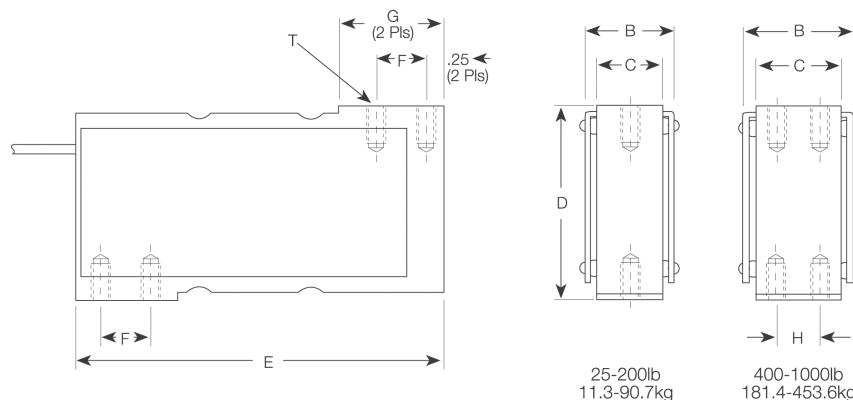
Load Rating		Part #	Est. Weight	Price
<b>10 ft Cable</b>				
50 lb		<b>17421</b>	4 lb	\$630.00
100 lb		<b>17423</b>	4 lb	\$630.00
200 lb		<b>17425</b>	4 lb	\$630.00
400 lb		<b>17427</b>	5 lb	\$673.00
500 lb		<b>17429</b>	5 lb	\$689.00
1,000 lb		<b>17431</b>	6 lb	\$736.00
<b>25 ft Cable</b>				
1,000 lb		<b>17514</b>	7 lb	\$779.00
<b>Adapters</b>				
Adapter kit	400 lb to 500 lb	<b>25562</b>	—	\$45.00
Single adapter	25 lb to 200 lb	<b>17683</b>	—	\$37.00

PN25562 is needed to convert 400 to 500lb capacity cells

PN17683 is needed to use the VPG Sensortronics 60048 load cell in NCI model 3255 and 3256 bases, 50 to 200lb capacities

**Dimensions**

Rated Capacity	T	B	C	D	E	F	G	H
lb/in								
50 to 200	1/4-28 UNF × 0.75 DP	1.25	1.00	3.00	6.00	1.00	1.50	—
400 to 500	1/4-28 UNF × 0.75 DP	1.25	1.00	3.00	6.00	1.00	1.50	0.50
1,000	5/16-24 UNF × 0.75 DP	1.75	1.50	3.00	6.00	1.00	1.50	1.00



**Interchangeable Products**

NCI®/WEIGH-TRONIX®  
**Mark V**

**Specifications**

- Full Scale Output:**  
2.0 mV/V nominal
- Output Resistance:**  
349 to 355 ohm
- Input Resistance:**  
350 to 450 ohm
- Material/Finish:**  
Stainless steel
- Temperature:**  
Operating:  
0 °F to 150 °F (-18 °C to 65 °C)

**Seal Type:**  
Environmentally sealed, IP67

**Safe Overload:**  
150% full scale

**Rated Excitation:**  
5 to 10 VDC (15 V maximum)

**Nonlinearity:**  
0.03% full scale

**Hysteresis:**  
0.02% full scale

**Insulation Resistance:**  
5,000 megohm

**Deflection at Capacity:**  
50 to 100 lb: 0.013 in  
200 lb: 0.015 in  
400 to 500 lb: 0.023 in  
1,000 lb: 0.016 in

**Cable Length:**  
10 ft  
25 ft

**Cable Diameter:**  
0.200 in  
Polyurethane jacket

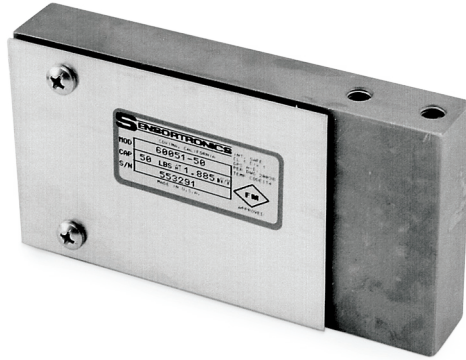
**Cable Color Code:**  
Red +Excitation  
Black -Excitation  
Green +Signal  
White -Signal

**Warranty:**  
One-year limited

**Approvals:**  
cFMus

# 60051

Stainless Steel, Environmentally Sealed, IP67



Picture is a representation of actual product

### Approvals

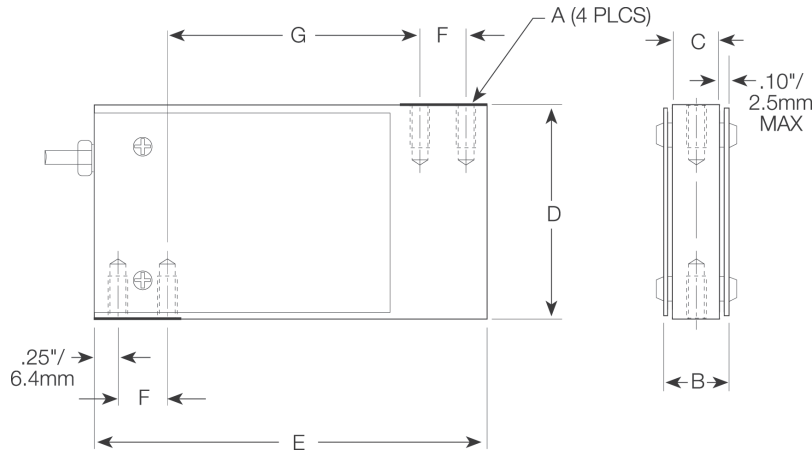


### Order Information

Load Rating	Part #	Est. Weight	Price
10 lb	17432	2 lb	\$450.00
15 lb	17433	2 lb	\$450.00
25 lb	17434	2 lb	\$450.00
50 lb	17435	3 lb	\$450.00
100 lb	17436	3 lb	\$450.00
200 lb	17437	3 lb	\$450.00

### Dimensions

Rated Capacity	A	B	C	D	E	F	G
lb/in							
10 to 25	1/4-28 UNF	0.70	0.50	2.50	4.63	0.75	2.62
50 to 200	1/4-28 UNF	0.95	0.75	2.50	4.63	0.75	2.62

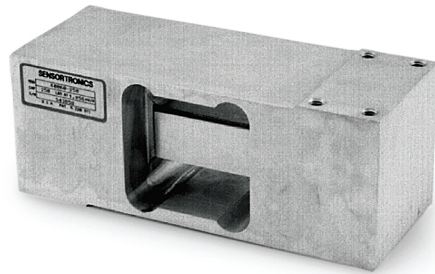


### Interchangeable Products

NCI®/WEIGHTRONICS®  
**Mark III**  
 NCI/WEIGHTRONICS  
**Mark IX**

### Specifications

- Full Scale Output:**  
2.0 mV/V
- Output Resistance:**  
349 to 355 ohm
- Input Resistance:**  
380 to 450 ohm
- Material/Finish:**  
Stainless steel
- Temperature:**  
Operating:  
0 °F to 150 °F (-18 °C to 65 °C)
- Seal Type:**  
Environmentally sealed, IP67
- Safe Overload:**  
150% full scale
- Rated Excitation:**  
5 to 10 VDC (15 V maximum)
- Nonlinearity:**  
0.03% full scale
- Hysteresis:**  
0.02% full scale
- Insulation Resistance:**  
5,000 megohm
- Deflection at Capacity:**  
10 to 15 lb: 0.0014 in  
25 to 200 lb: 0.0010 in
- Cable Length:**  
10 ft
- Cable Diameter:**  
0.200 in  
Polyurethane jacket
- Cable Color Code:**  
Red +Excitation  
Black -Excitation  
Green +Signal  
White -Signal
- Warranty:**  
One-year limited
- Approvals:**  
cFMus



Picture is a representation of actual product

**Approvals**

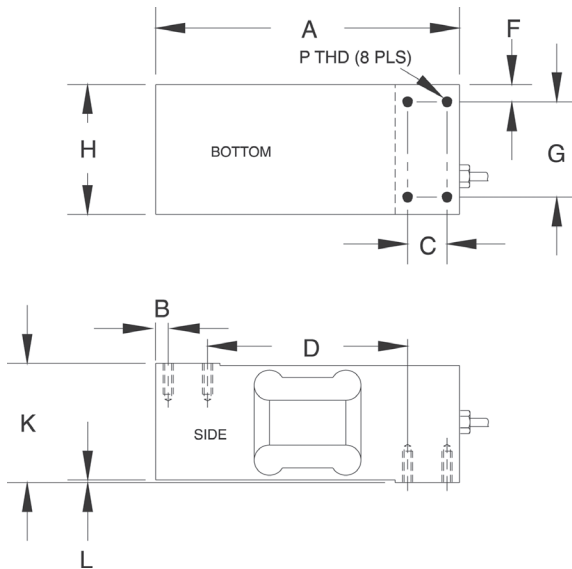


**Order Information**

Load Rating	Part #	Est. Weight	Price
<b>NTEP Certified</b>			
250 lb	17582	6 lb	\$371.00
300 lb	112689	6 lb	\$371.00
500 lb	17583	6 lb	\$371.00
750 lb	17584	6 lb	\$371.00
1,000 lb	17585	6 lb	\$371.00
2,000 lb	17586	6 lb	\$371.00
<b>Non-NTEP Certified</b>			
100 lb	36479	6 lb	\$371.00
150 lb	112688	6 lb	\$371.00

**Dimensions**

Rated Capacity	A	B	C	D	F	G	H	K	L	P
lb/in										
100 to 2,000	7.50	0.31	0.98	4.92	0.30	2.36	2.95	2.95	0.06	5/16-18-UNC x 0.75 DP



**Specifications**

- Full Scale Output:**  
2.0 mV/V
- Output Resistance:**  
349 to 355 ohm
- Input Resistance:**  
400 nominal ohm
- Material/Finish:**  
Aluminum, clear anodized
- Temperature:**  
Compensated:  
14 °F to 104 °F (-10 °C to 40 °C)  
Operating:  
0 °F to 150 °F (-18 °C to 65 °C)
- Seal Type:**  
Environmentally sealed, IP67
- Safe Overload:**  
150% full scale
- Safe Sideload:**  
100% full scale
- Rated Excitation:**  
5 to 10 VDC (15 V maximum)
- Combined Error:**  
0.02% full scale
- Insulation Resistance:**  
5,000 megohm
- Deflection at Capacity:**  
100 to 250 lb: 0.010 in  
500 to 2,000 lb: 0.006 in
- Cable Length:**  
10 ft
- Cable Diameter:**  
0.200 in  
Polyurethane jacket
- Cable Color Code:**  
Red +Excitation  
Black -Excitation  
Green +Signal  
White -Signal
- Max Platform Size:**  
30 x 30 in
- Warranty:**  
One-year limited
- Approvals:**  
cFMus  
NTEP

# 65016

Alloy Steel, Environmentally Sealed, IP67



Picture is a representation of actual product

### Approvals



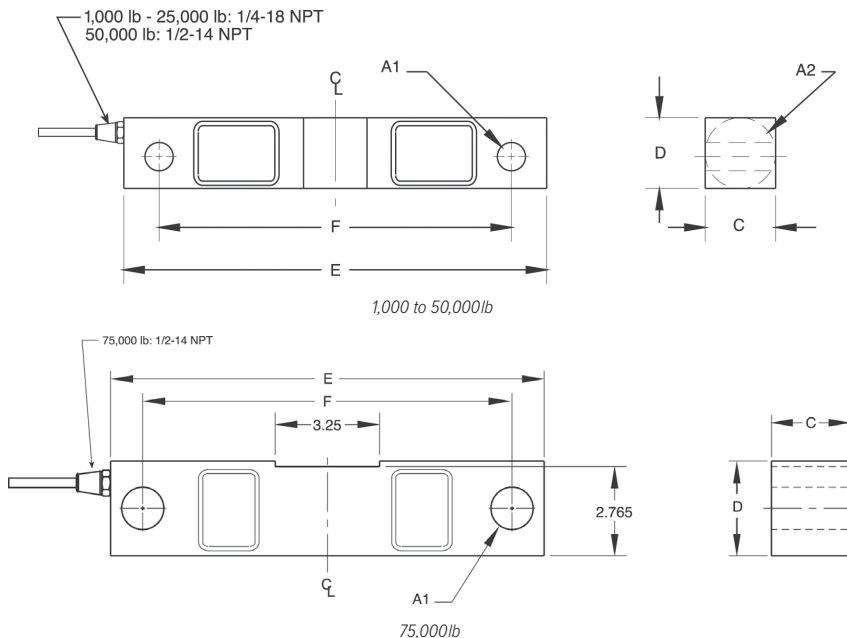
### Order Information

Load Rating	Part #	Est. Weight	Price
1,000 lb	17268	4 lb	\$583.00
1,500 lb	17270	4 lb	\$583.00
2,500 lb	17273	4 lb	\$583.00
5,000 lb	17275	4 lb	\$583.00
10,000 lb	17277	7 lb	\$662.00
15,000 lb	17279	7 lb	\$662.00
20,000 lb	17281	7 lb	\$662.00
25,000 lb	17282	7 lb	\$662.00
35,000 lb	46498	8 lb	\$917.00
50,000 lb	17284	27 lb	\$1,033.00
75,000 lb*	25358	27 lb	\$1,033.00

\*75,000lb capacity has a square center

### Dimensions

Rated Capacity	A1	A2	C	D	E	F	CONDUIT ADAPTER
lb/in							
1,000 to 5,000	0.50	1.25	1.25	1.25	7.50	6.25	1/4-18 NPT
10,000 to 25,000	0.81	1.99	1.44	1.94	8.75	7.50	1/4-18 NPT
35,000	0.81	2.50	1.50	2.50	8.75	7.50	1/4-18 NPT
50,000	1.31	3.00	2.44	2.94	13.50	11.50	1/2-14 NPT
75,000	1.31	—	2.44	2.94	13.50	11.50	1/2-14 NPT



### Interchangeable Products

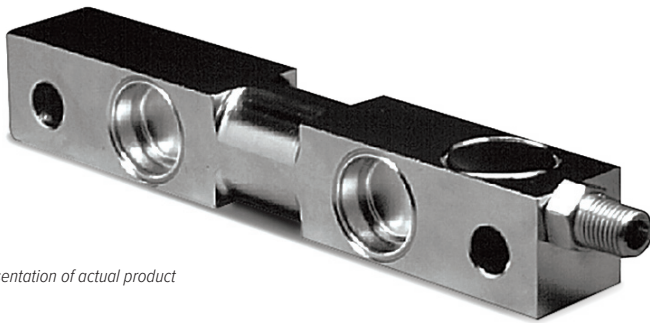
- RICE LAKE WEIGHING SYSTEMS  
**RL77032**..... page 130
- RICE LAKE WEIGHING SYSTEMS  
**RL75016**..... page 133
- VPG® CELTRON®  
**DSR**..... page 195
- VPG® REVERE  
**5203**

### Weigh Module Available

- RICE LAKE WEIGHING SYSTEMS  
**RL1600 Series**... page 70 and page 72

### Specifications

- Full Scale Output:**  
3.0 mV/V nominal
- Output Resistance:**  
699 to 707 ohm
- Input Resistance:**  
686 to 714 ohm
- Material/Finish:**  
High-alloy steel, nickel plated
- Temperature:**  
Operating:  
0 °F to 150 °F (-18 °C to 65 °C)
- Seal Type:**  
Environmentally sealed, IP67
- Safe Overload:**  
150% full scale
- Safe Sideload:**  
100% full scale
- Rated Excitation:**  
5 to 10 VDC (15 V maximum)
- Nonlinearity:**  
0.03% full scale
- Hysteresis:**  
0.02% full scale
- Insulation Resistance:**  
5,000 megohm
- Cable Length:**  
25 ft
- Cable Diameter:**  
1,000 to 25,000 lb: 0.200 in  
50,000 to 75,000 lb: 0.301 in  
Polyurethane jacket
- Cable Color Code:**  
Red +Excitation  
Black -Excitation  
Green +Signal  
White -Signal
- Warranty:**  
One-year limited
- Approvals:**  
cFMus



Picture is a representation of actual product

Approvals



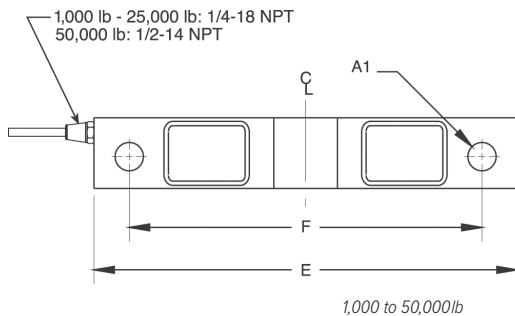
Order Information

Load Rating	Part #	Est. Weight	Price
1,000 lb	36295	4 lb	\$630.00
1,500 lb	36296	4 lb	\$630.00
2,000 lb	36297	4 lb	\$630.00
2,500 lb	36298	4 lb	\$630.00
5,000 lb	36299	4 lb	\$630.00
10,000 lb	36300	7 lb	\$715.00
15,000 lb	36301	7 lb	\$715.00
20,000 lb	36302	7 lb	\$715.00
25,000 lb	36303	7 lb	\$715.00
50,000 lb	36304	27 lb	\$1,479.00
75,000 lb*	36305	27 lb	\$1,479.00

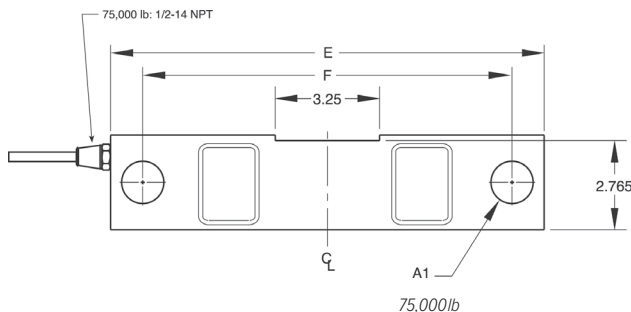
\*75,000lb capacity has a square center

Dimensions

Rated Capacity	E	G	A1	A2	B	C	CONDUIT ADAPTER	F
lb/in								
1,000 to 5,000	0.50	1.25	1.25	1.25	7.50	6.25	1/4-18 NPT	1.12
10,000 to 25,000	0.81	1.99	1.44	1.94	8.75	7.50	1/4-18 NPT	1.62
50,000	1.31	3.00	2.44	2.94	13.50	11.50	1/2-14 NPT	3.75
75,000	1.31	—	2.44	2.94	13.50	11.50	1/2-14 NPT	3.75



1,000 to 50,000lb



75,000lb

Interchangeable Products

- RICE LAKE WEIGHING SYSTEMS  
**RL77032SS HE**..... page 132
- RICE LAKE WEIGHING SYSTEMS  
**RL75016WHE**..... page 137
- VPG® SENSORTRONICS®  
**65016WH**..... page 292

Weigh Module Available

- RICE LAKE WEIGHING SYSTEMS  
**RL1600 Series SS**.....page 73

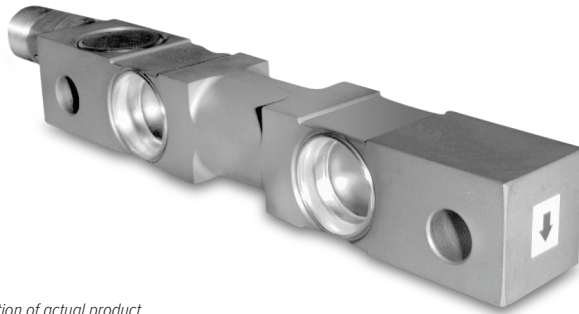
Specifications

- Full Scale Output:**  
3.0 mV/V nominal
- Output Resistance:**  
699 to 707 ohm
- Input Resistance:**  
686 to 714 ohm
- Material/Finish:**  
Stainless steel
- Temperature:**  
Operating:  
0 °F to 150 °F (-18 °C to 65 °C)
- Seal Type:**  
Welded-seal, IP67
- Safe Overload:**  
150% full scale
- Safe Sideload:**  
100% full scale
- Rated Excitation:**  
5 to 10 VDC (15 V maximum)
- Nonlinearity:**  
0.03% full scale
- Hysteresis:**  
0.02% full scale
- Insulation Resistance:**  
5,000 megohm
- Cable Length:**  
25 ft
- Cable Diameter:**  
1,000 to 25,000 lb: 0.200 in  
50,000 to 75,000 lb: 0.305 in  
Polyurethane jacket
- Cable Color Code:**  
Red +Excitation  
Black -Excitation  
Green +Signal  
White -Signal
- Warranty:**  
One-year limited
- Approvals:**  
cFMus

VPG®  
SENSORTRONICS®

# 65016WH

Stainless Steel, Hermetically Sealed, IP68



Picture is a representation of actual product

### Approvals

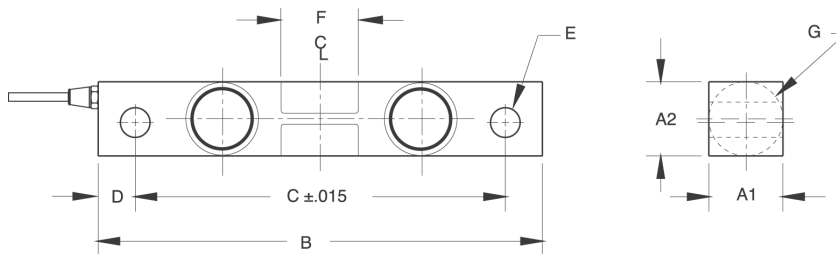


### Order Information

Load Rating	Part #	Est. Weight	Price
1,000 lb	65827	4 lb	\$736.00
1,500 lb	65828	4 lb	\$736.00
2,000 lb	65829	4 lb	\$736.00
2,500 lb	65830	4 lb	\$736.00
5,000 lb	65831	4 lb	\$736.00
10,000 lb	65832	7 lb	\$843.00
15,000 lb	65833	7 lb	\$843.00
20,000 lb	65834	7 lb	\$843.00
25,000 lb	65835	7 lb	\$843.00

### Dimensions

Rated Capacity	A1	A2	B	C	D	E	F	G	CONDUIT ADAPTER
lb/in									
1,000 to 5,000	1.22	1.22	7.50	6.25	0.62	0.50	1.12	1.25	1/2-14 NPT
10,000 to 25,000	1.44	1.94	8.75	7.50	0.62	0.81	1.62	1.99	1/2-14 NPT



### Interchangeable Products

- RICE LAKE WEIGHING SYSTEMS  
**RL77032SS HE**..... page 132
- RICE LAKE WEIGHING SYSTEMS  
**RL75016WHE**..... page 137
- RICE LAKE WEIGHING SYSTEMS  
**RL75016SS\***..... page 135
- VPG® SENSORTRONICS®  
**65016W\***..... page 291

\*Welded-seal

### Weigh Module Available

- RICE LAKE WEIGHING SYSTEMS  
**RL1600 Series**... page 75 and page 76

### Specifications

- Full Scale Output:**  
3.0 mV/V nominal
- Output Resistance:**  
699 to 707 ohm
- Input Resistance:**  
686 to 714 ohm
- Material/Finish:**  
Stainless steel
- Temperature:**  
Operating:  
0 °F to 150 °F (-18 °C to 65 °C)
- Seal Type:**  
Hermetically sealed, IP68
- Safe Overload:**  
150% full scale
- Safe Sideload:**  
100% full scale
- Rated Excitation:**  
5 to 10 VDC (15 V maximum)
- Nonlinearity:**  
0.03% full scale
- Hysteresis:**  
0.02% full scale
- Insulation Resistance:**  
5,000 megohm
- Cable Length:**  
25 ft
- Cable Diameter:**  
0.200 in  
Polyurethane jacket
- Cable Color Code:**  
Red +Excitation  
Black -Excitation  
Green +Signal  
White -Signal
- Warranty:**  
One-year limited
- Approvals:**  
cFMus



Picture is a representation of actual product

### Approvals



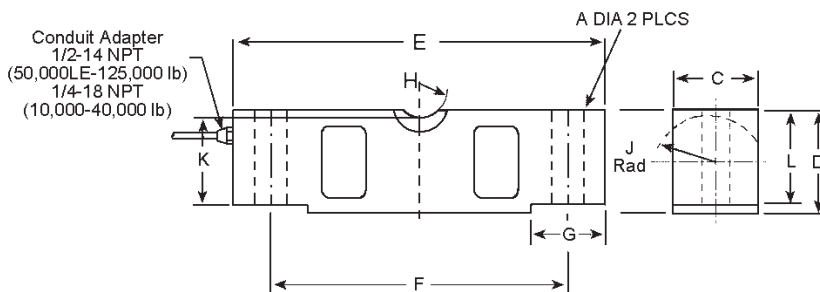
### Order Information

Load Rating	Part #	Est. Weight	Price
<b>NTEP Certified</b>			
20,000 lb	21592	7 lb	\$673.00
25,000 lb	21593	7 lb	\$673.00
40,000 lb	21608	13 lb	\$805.00
50,000 lb SE	26081	13 lb	\$895.00
50,000 lb LE	21594	21 lb	\$895.00
60,000 lb	21595	21 lb	\$895.00
75,000 lb	21596	21 lb	\$895.00
100,000 lb	21609	40 lb	\$1,669.00
125,000 lb	21610	40 lb	\$1,669.00
<b>Non-NTEP Certified</b>			
10,000 lb	17287	7 lb	\$652.00
<b>60 ft cable</b>			
75,000 lb	39459	26 lb	\$911.00

SE=small envelope; LE=large envelope

### Dimensions

Rated Capacity	A	C	D	E	F	G	H	J	K	L
lb/in										
10,000 to 25,000	0.68	1.69	1.94	7.75	6.50	1.38	0.75	0.90	1.63	1.70
40,000 to 50,000 SE	0.81	1.94	2.44	10.25	8.50	1.93	1.00	1.12	2.00	2.10
50,000 LE to 75,000	1.06	2.44	2.94	10.25	8.50	1.93	1.00	1.37	2.54	2.65
100,000 to 125,000	1.62	2.90	3.86	15.25	12.75	3.13	1.50	1.80	3.30	3.43



### Interchangeable Products

- RICE LAKE WEIGHING SYSTEMS  
**RL75058-LP** ..... page 139
- VPG® CELTRON®  
**CLB** ..... page 196

### Weigh Module Available

- RICE LAKE WEIGHING SYSTEMS  
**RL2100 HE** ..... page 36
- RICE LAKE WEIGHING SYSTEMS  
**MVS** ..... page 77

### Specifications

**Full Scale Output:**

3.0 mV/V

**Output Resistance:**

699 to 707 ohm

**Input Resistance:**

686 to 714 ohm

**Material/Finish:**

High-alloy steel, nickel plated

**Temperature:**

Compensated:

14 °F to 104 °F (-10 °C to 40 °C)

Operating:

0 °F to 150 °F (-18 °C to 65 °C)

**Seal Type:**

Environmentally sealed, IP67

**Safe Overload:**

150% full scale

**Safe Sideload:**

100% full scale

**Rated Excitation:**

5 to 10 VDC (15 V maximum)

**Combined Error:**

0.02% full scale

**Insulation Resistance:**

1,000 megohm

**Cable Length:**

35 ft

**Cable Diameter:**

10,000 to 25,000 lb: 0.200 in

40,000 to 125,000 lb: 0.305 in

Polyurethane jacket

**Cable Coloring:**

Red +Excitation

Black -Excitation

Green +Signal

White -Signal

**Warranty:**

One-year limited

**Approvals:**

cFMus

NTEP

VPG®  
SENSORTRONICS®

# 65058S

Stainless Steel, Welded Seal, NTEP Certified 1:10,000 Class III Multiple Cell, IP67



Picture is a representation of actual product

### Approvals

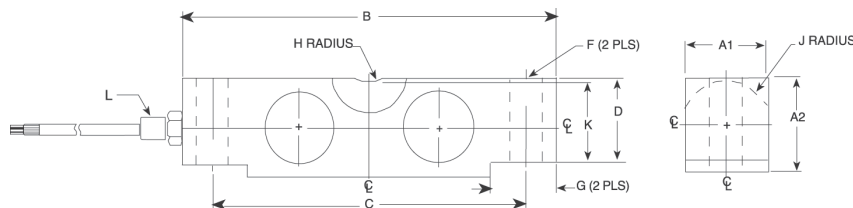


### Order Information

Load Rating	Part #	Est. Weight	Price
<b>35 ft Cable</b>			
20,000 lb	45475	7 lb	\$927.00
25,000 lb	45476	7 lb	\$927.00
40,000 lb	45477	11 lb	\$1,160.00
50,000 lb	45478	14 lb	\$1,160.00
60,000 lb	45479	20 lb	\$1,160.00
75,000 lb	45480	20 lb	\$1,160.00
100,000 lb	45481	40 lb	\$2,433.00
125,000 lb	45482	40 lb	\$2,963.00
<b>60 ft Cable</b>			
75,000 lb	48698	20 lb	\$1,300.00

### Dimensions

Rated Capacity	A1	A2	B	C	D	F	G	H	J	K	L
lb/in											
20,000 to 25,000	1.69	1.94	7.75	6.50	1.70	0.68	1.38	0.75	0.90	1.63	1/4-18 NPT
40,000	1.94	2.44	10.25	8.50	2.10	0.81	1.93	1.00	1.12	2.00	1/4-18 NPT
50,000 to 75,000	2.44	2.94	10.25	8.50	2.65	1.06	1.93	1.00	1.37	2.54	1/2-14 NPT
100,000	2.44	3.44	10.25	8.50	2.65	1.06	1.93	1.00	1.37	2.54	1/2-14 NPT
125,000	2.90	3.86	15.25	12.75	3.43	1.62	3.13	1.50	1.80	3.30	1/2-14 NPT



### Weigh Module Available

- RICE LAKE WEIGHING SYSTEMS  
**RL2100 HE**..... page 36
- RICE LAKE WEIGHING SYSTEMS  
**MVS**.....page 77

### Specifications

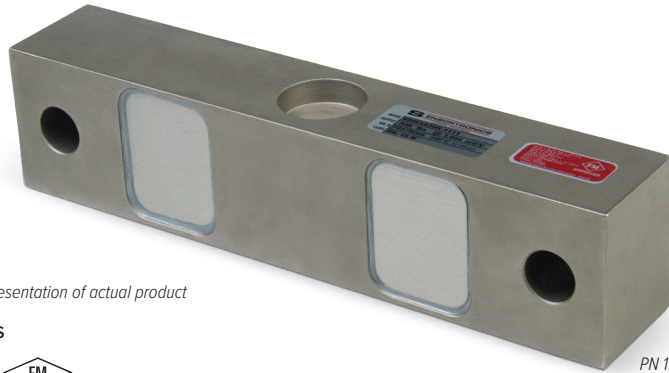
- Full Scale Output:**  
3.0 mV/V
- Output Resistance:**  
699 to 707 ohm
- Input Resistance:**  
686 to 714 ohm
- Material/Finish:**  
Stainless steel
- Temperature:**  
Compensated:  
14 °F to 104 °F (-10 °C to 40 °C)  
Operating:  
0 °F to 150 °F (-18 °C to 65 °C)

- Seal Type:**  
Welded-seal, IP67
- Safe Overload:**  
150% full scale
- Safe Sideload:**  
100% full scale
- Rated Excitation:**  
5 to 10 VDC (15 V maximum)
- Nonlinearity:**  
0.03% full scale
- Hysteresis:**  
0.02% full scale
- Insulation Resistance:**  
1,000 megohm
- Cable Length:**  
35 ft  
60 ft
- Cable Diameter:**  
20,000 to 25,000 lb: 0.200 in  
40,000 to 125,000 lb: 0.305 in  
Polyurethane jacket
- Cable Coloring:**  
Red +Excitation  
Black -Excitation  
Green +Signal  
White -Signal

- Warranty:**  
One-year limited

- Approvals:**  
cFMus  
NTEP





Picture is a representation of actual product

PN 154800 shown

### Approvals



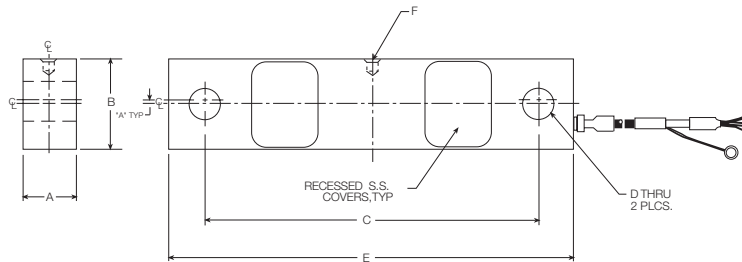
### Order Information

Load Rating	Part #	Est. Weight	Price
<b>Alloy Steel</b>			
40,000 lb	47850	18 lb	\$1,267.00
50,000 lb	47851	18 lb	\$1,267.00
<b>Stainless Steel</b>			
50,000 lb (welded-seal)	67387	18 lb	\$1,410.00
50,000 lb* (environmentally sealed)	154800	18 lb	\$1,267.00
<b>Mounting Assembly Accessories*</b>			
Load Button	25524	1 lb	\$51.00
Load Pin	50807	1 lb	\$98.00
Bearing Screw	44837	1 lb	\$130.00
Bushing	50748	1 lb	\$40.00
Load Cell Stand	50767	1 lb	\$327.00
Support Pin	50747	1 lb	\$35.00
Washer	15180	1 lb	\$2.30
Cotter Pin	15244	1 lb	\$1.50
Load Button (use with 154800)*	154802	1 lb	\$37.00

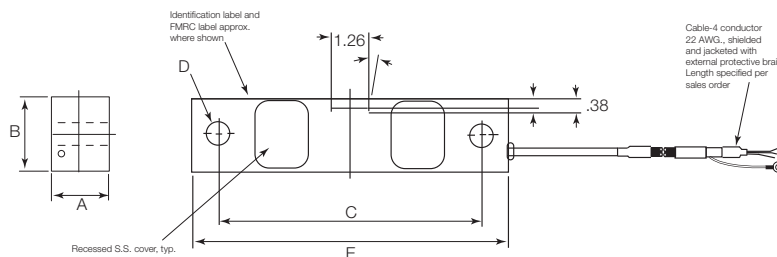
\*Counterbored hole for load button

### Dimensions

Rated Capacity	A	B	C	D	E	F
lb/in						
40,000	1.94	2.44	8.75	0.78	10.50	0.257 × 0.375 DP
50,000	1.94	2.44	8.75	0.78	10.50	0.257 × 0.375 DP



PN 47850, 47851, 67387



PN 154800

### Interchangeable Products

- FAIRBANKS®  
**Rodan 90814-40 k**
- FAIRBANKS  
**Rodan 91088-50 k**

### Specifications

#### Full Scale Output:

3.0 mV/V

#### Output Resistance:

699 to 707 ohm

#### Input Resistance:

686 to 714 ohm

#### Material/Finish:

High-alloy steel, nickel plated  
Stainless steel

#### Temperature:

Compensated:  
14 °F to 104 °F (-10 °C to 40 °C)  
Operating:  
0 °F to 150 °F (-18 °C to 65 °C)

#### Seal Type:

Environmentally sealed, IP67  
PN 67387: Welded-seal, IP67

#### Safe Overload:

150% full scale

#### Safe Sideload:

100% full scale

#### Rated Excitation:

5 to 10 VDC (15 V maximum)

#### Combined Error:

0.02% full scale

#### Insulation Resistance:

5,000 megohm

#### Cable Length:

60 ft, copper over braid

#### Cable Diameter:

0.230 in  
Polyurethane jacket

#### Cable Coloring:

Red +Excitation  
Black -Excitation  
Green +Signal  
White -Signal

#### Warranty:

One-year limited

#### Approvals:

cFMus  
NTEP

# 65040A

Alloy Steel, Environmentally Sealed, NTEP Certified Class IIIIL Multiple Cell 1:6,000/1:10,000, IP67



Picture is a representation of actual product

### Approvals



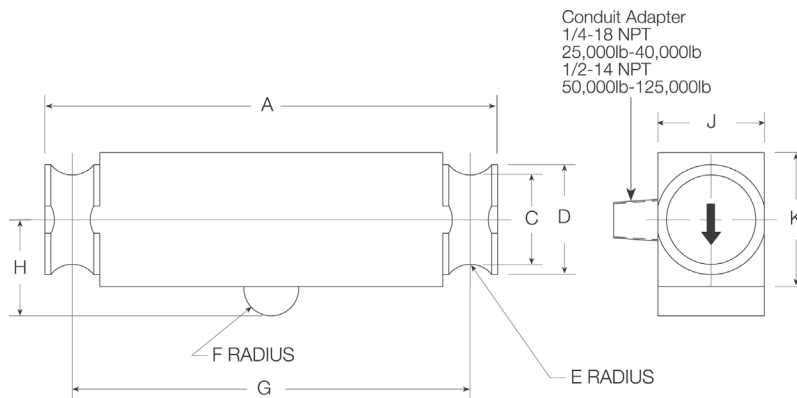
### Order Information

Load Rating	Part #	Est. Weight	Price
<b>NTEP Certified</b>			
25,000 lb	21598	11 lb	\$673.00
40,000 lb	21599	11 lb	\$805.00
50,000 lb SE	69562	11 lb	\$805.00
50,000 lb	21600	19 lb	\$885.00
60,000 lb	21601	19 lb	\$885.00
75,000 lb	21602	19 lb	\$885.00
100,000 lb	21603	40 lb	\$1,670.00
125,000 lb	21604	40 lb	\$1,670.00

SE=small envelope

### Dimensions

Rated Capacity	A	C	D	E	F	G	H	J	K
lb/in									
25,000 to 50,000 SE	8.25	1.63	2.00	0.50	0.50	7.25	1.75	1.94	2.44
50,000 to 75,000	11.50	1.70	2.20	0.75	1.00	10.00	2.00	1.94	2.94
100,000 to 125,000	14.50	2.44	3.20	1.00	1.50	12.50	2.75	2.90	3.86



### Interchangeable Products

RICE LAKE WEIGHING SYSTEMS  
**RL75040** ..... page 144  
 THURMAN®  
**TSC 840**

### Weigh Module Available

RICE LAKE WEIGHING SYSTEMS  
**Translink™** .....page 78

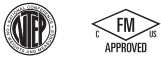
### Specifications

- Full Scale Output:**  
3.0mV/V
- Output Resistance:**  
686 to 714 ohm
- Input Resistance:**  
699 to 707 ohm
- Material/Finish:**  
High-alloy steel, nickel plated
- Temperature:**  
Compensated:  
14 °F to 104 °F (-10 °C to 40 °C)  
Operating:  
0 °F to 150 °F (-18 °C to 65 °C)
- Seal Type:**  
Environmentally sealed, IP67
- Safe Overload:**  
150% full scale
- Safe Sideload:**  
100% full scale
- Rated Excitation:**  
5 to 10 VDC (15 V maximum)
- Combined Error:**  
0.02% full scale
- Insulation Resistance:**  
1,000 megohm
- Cable Length:**  
35 ft
- Cable Diameter:**  
25,000 lb: 0.200 in  
50,000 to 125,000 lb: 0.305 in  
Polyurethane jacket
- Cable Coloring:**  
Red +Excitation  
Black -Excitation  
Green +Signal  
White -Signal
- Warranty:**  
One-year limited
- Approvals:**  
cFMus  
NTEP



Picture is a representation of actual product

**Approvals**

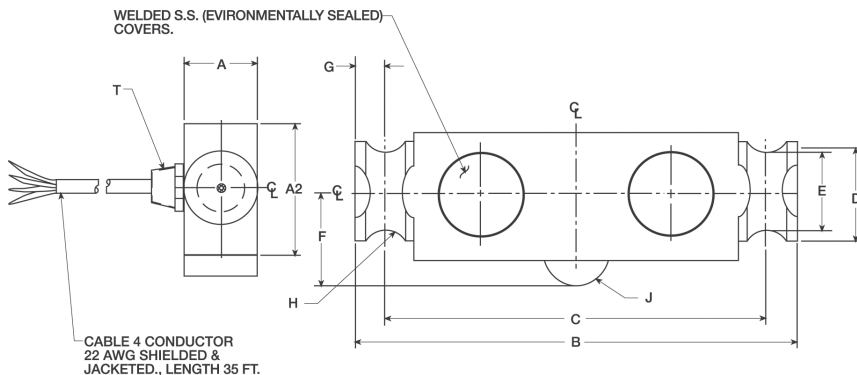


**Order Information**

Load Rating	Part #	Est. Weight	Price
25,000 lb	45467	15 lb	\$810.00
40,000 lb	45468	15 lb	\$970.00
50,000 lb	45469	25 lb	\$1,055.00
60,000 lb	45470	25 lb	\$1,055.00
75,000 lb	45471	25 lb	\$1,055.00

**Dimensions**

Rated Capacity	A	A2	B	C	D	E	F	G	H	J	T
lb/in											
25,000 to 40,000	1.94	2.44	8.25	7.25	2.00	1.63	1.75	0.50	0.50	0.50	1/4-18 NPT
50,000 to 75,000	1.94	2.94	11.50	10.00	2.20	1.70	2.00	0.75	0.75	1.00	1/4-18 NPT



**Interchangeable Products**

RICE LAKE WEIGHING SYSTEMS  
**RL75040** ..... page 144  
 VPG® SENSORTRONICS®  
**65040A** ..... page 296

**Specifications**

- Full Scale Output:**  
3.0 mV/V
- Output Resistance:**  
699 to 707 ohm
- Input Resistance:**  
686 to 714 ohm
- Material/Finish:**  
Stainless steel
- Temperature:**  
Compensated:  
14 °F to 104 °F (-10 °C to 40 °C)  
Operating:  
0 °F to 150 °F (-18 °C to 65 °C)
- Seal Type:**  
Welded-seal, IP68
- Safe Overload:**  
150% full scale
- Safe Sideload:**  
100% full scale
- Rated Excitation:**  
5 to 10 VDC (15 V maximum)
- Combined Error:**  
0.02% full scale
- Insulation Resistance:**  
5,000 megohm
- Cable Length:**  
35 ft
- Cable Diameter:**  
25,000 lb: 0.200 in  
40,000 to 75,000 lb: 0.301 in  
Polyurethane jacket
- Cable Coloring:**  
Red +Excitation  
Black -Excitation  
Green +Signal  
White -Signal
- Warranty:**  
One-year limited
- Approvals:**  
cFMus  
NTEP

VPG® SENSORTRONICS®

# 65040A-1127W

Alloy Steel, Welded Seal, NTEP Certified 1:10,000 Class III Multiple Cell, IP67

VPG®  
SENSORTRONICS®



Picture is a representation of actual product

### Approvals

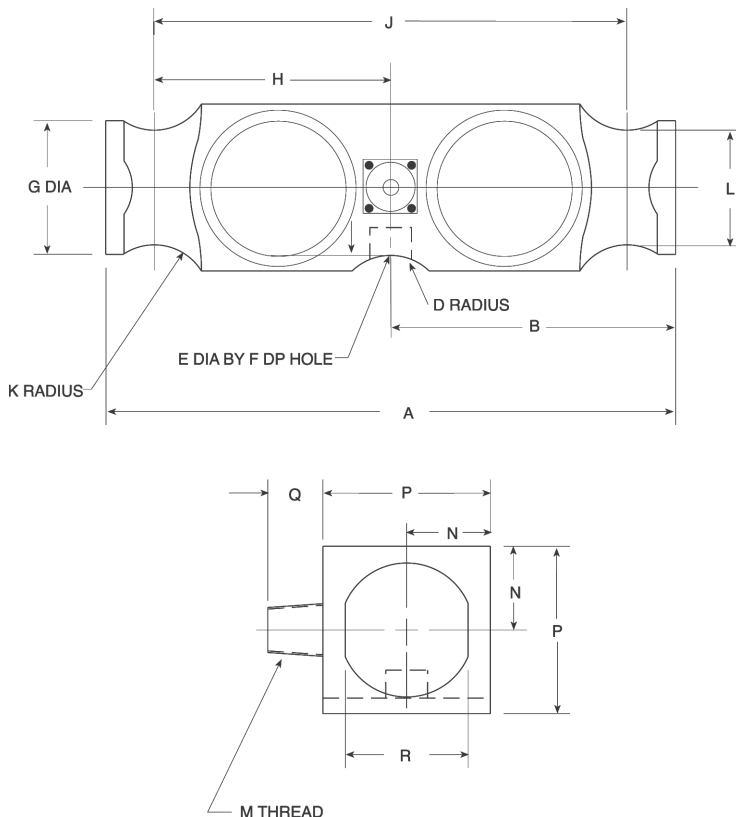


### Order Information

Load Rating	Part#	Est. Weight	Price
50,000 lb	66080	18 lb	\$1,055.00
65,000 lb	87162	20 lb	\$1,055.00
100,000 lb	87163	20 lb	\$1,405.00

### Dimensions

Rated Capacity	A	B	D	E	F	G	H	J	K	L	M	N	P	Q	R
lb/in															
50,000 to 65,000	10.25	5.12	1.00	0.75	0.78	2.40	4.25	8.50	1.00	2.06	1/2-14 NPT	1.50	3.00	1.03	2.20
100,000	10.25	5.12	1.00	—	—	2.40	4.25	8.50	1.00	2.06	1/2-14 NPT	1.50	3.00	1.03	2.20



### Interchangeable Products

- RICE LAKE WEIGHING SYSTEMS  
**RL75223** .....page 142
- VPG® REVERE  
**5223** .....page 257
- ARTECH®  
**80210**
- THURMAN®  
**TSC 800**

### Weigh Module Available

- RICE LAKE WEIGHING SYSTEMS  
**Translink™** .....page 78

### Specifications

- Full Scale Output:**  
3.0 mV/V
- Output Resistance:**  
686 to 714 ohm
- Input Resistance:**  
699 to 707 ohm
- Material/Finish:**  
High-alloy steel
- Temperature:**  
Compensated:  
14 °F to 104 °F (-10 °C to 40 °C)  
Operating:  
0 °F to 150 °F (-18 °C to 65 °C)
- Seal Type:**  
Welded-seal, IP67
- Safe Overload:**  
150% full scale
- Safe Sideload:**  
100% full scale
- Rated Excitation:**  
5 to 10 VDC (15 V maximum)
- Combined Error:**  
0.03% full scale
- Non-repeatability:**  
0.01% full scale
- Insulation Resistance:**  
1,000 megohm
- Deflection at Capacity:**  
50,000 lb: 0.018 in  
65,000 lb: 0.022 in  
100,000 lb: 0.034 in
- Cable Length:**  
40 ft
- Cable Diameter:**  
0.305 in  
Polyurethane jacket
- Cable Color Code:**  
Red +Excitation  
Black -Excitation  
Green +Signal  
White -Signal
- Warranty:**  
One-year limited
- Approvals:**  
cFMus  
NTEP



Picture is a representation of actual product

**Approvals**



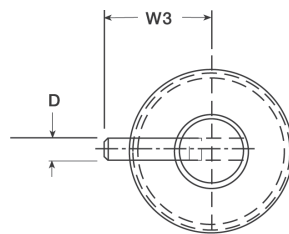
**Order Information**

Load Rating	Part #	Est. Weight	Price
50,000 lb	<b>46497</b>	5 lb	\$842.00
50,000 lb LE	<b>47952</b>	6 lb	\$842.00
<b>Options</b>			
Replacement anti-rotational pins	<b>116181</b>	1 lb	\$5.00
Replacement O-ring	<b>92988</b>	1 lb	\$1.00

LE=large envelope

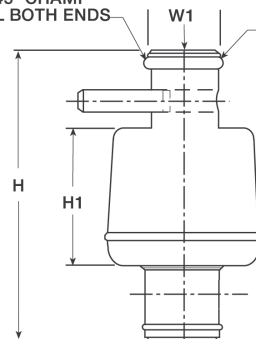
**Dimensions**

Rated Capacity	A	D	H	H1	H2	W1	W2	W3
50,000 lb/in	0.62	0.38	6.00	2.82	1.59	1.46	1.46	2.50
50,000 LE	0.62	0.38	7.56	2.82	1.59	1.46	1.46	2.50

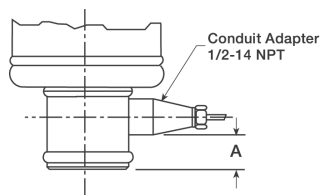


0.060 x 45° CHAMF  
TYPICAL BOTH ENDS

O-RING SEAL  
TYPICAL BOTH ENDS



4 CONDUCTOR CABLE;  
22 AWG; SHIELDED &  
JACKETED



**Interchangeable Products**

FAIRBANKS®  
**63951**

**Specifications**

**Full Scale Output:**  
2.0 mV/V nominal

**Output Resistance:**  
1,000 (± 10 ohm)

**Input Resistance:**  
1,000 ohm

**Material/Finish:**  
Stainless steel

**Temperature:**  
Compensated:  
14 °F to 104 °F (-10 °C to 40 °C)  
Operating:  
0 °F to 150 °F (-18 °C to 65 °C)

**Seal Type:**  
Hermetically sealed, IP68

**Safe Overload:**  
150% full scale

**Rated Excitation:**  
5 to 10 VDC (15 V maximum)

**Combined Error:**  
0.03% full scale

**Insulation Resistance:**  
1,000 megohm

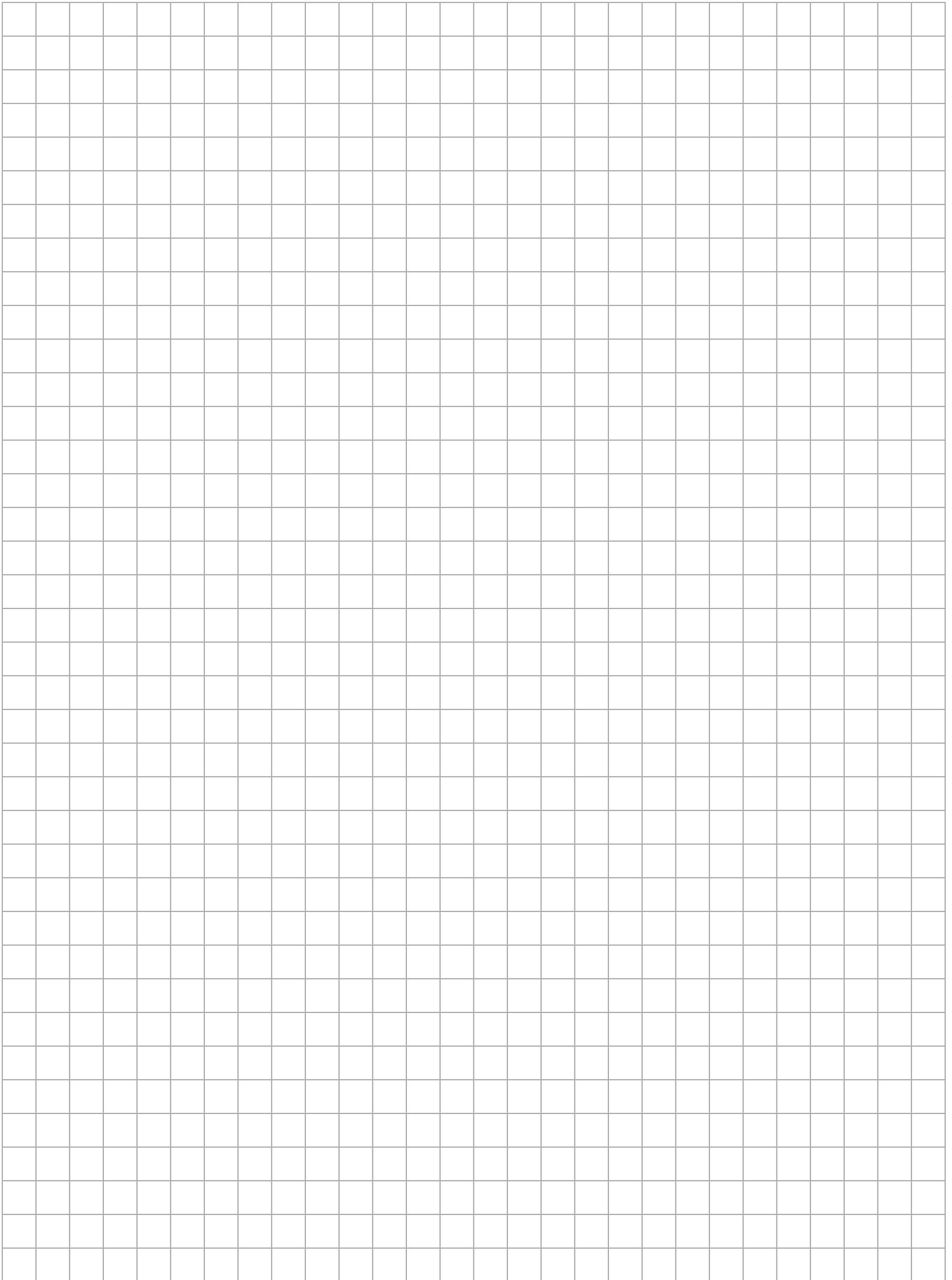
**Cable Length:**  
35 ft

**Cable Diameter:**  
0.305 in  
Polyurethane jacket

**Cable Color Code:**  
Red +Excitation  
Black -Excitation  
Green +Signal  
White -Signal

**Warranty:**  
Two-year limited

**Approvals:**  
cFMus  
NTEP

A large grid of empty cells for data entry, consisting of 20 columns and 30 rows.

# VPG Tedea-Huntleigh

## TABLE OF CONTENTS

### S-BEAMS

Page 305

#### 620, STAINLESS STEEL



Ideally suited for harsh environments, lever conversions, hoppers/tanks, vibratory feeders, general purpose weighing and force measurement applications. The stainless steel, welded cavity design provides protection against water and corrosive materials. Capacities range from 500 kg to 2,000 kg. Complete with 5 m of load cell cable.



### SINGLE-ENDED

Page 306

#### 3411/3421, ALLOY STEEL AND STAINLESS STEEL



Single-ended beam available in both alloy and stainless steel with NTEP Certification. These products are ideal for low-profile platforms, pallet truck weighers, tanks, and silos while providing stability for more severe weighing applications. Both versions are available in 1,000 lb to 5,000 lb capacities, with 10,000 lb capacity available in stainless steel. Complete with 10 ft of load cell cable.



Page 307

#### 3510-NTEP, STAINLESS STEEL



Low profile and all-welded sealing combined with high accuracy makes the 3510 ideally suited for low-profile platforms, weigh modules, tanks and silos. Hermetic sealing and polyurethane shielded cable enable this load cell to function in harsh environments while maintaining its operating specifications. Capacities range from 1,000 lb to 4,000 lb.



Page 308

#### 3510-OIML, STAINLESS STEEL



OIML approved, 6,000 division single-ended beam. Low profile and all-welded sealing combined with high accuracy makes this model suited for low-profile platforms, weigh modules, tanks and silos. Polyurethane shielded cable enables function in harsh environments while maintaining its operating specifications. Capacities range from 500 kg to 5,000 kg.



Page 309

#### 355, STAINLESS STEEL



Welded stainless steel construction, welded sealing and polyurethane shielded cable enables function in harsh environments while maintaining its operating specifications. Suitable for low-profile platforms, weighing and packing machines, electromechanical conversions and general-purpose weighing applications. Capacities range from 5 kg to 500 kg.



### SINGLE POINTS

Page 310

#### 1022, ALUMINUM



Very low profile, single-point load cell designed for direct mounting in low-cost platforms. Anodized aluminum construction is combined with two-beam machined technology to provide an affordable load cell option. Capacities range from 3 kg to 35 kg. Complete with 1.5 ft or 10 ft of load cell cable.



Page 311

#### 1010/1015, ALUMINUM



Off-center loading load cell designed for direct mounting of a weighing platform and simplified construction of platform scales. Long-term stability and durability are maintained. Load cells with potted cavities are available for improved performance in damp environments. The model 1015 has a balanced bridge for applications where multiple cells are used. Capacities range from 3 kg to 90 kg.



VPG®  
TEDEA-HUNTLEIGH®

# VPG Tedea-Huntleigh

## SINGLE POINTS

Page 312

### 1030, ALUMINUM



This very low profile, three-beam single-point load cell is insensitive to off-center loads, providing accurate results. Coated with a unique humidity-resistant protective coating to assure long-term stability in harsh environments and extreme temperatures. Capacities range from 3 kg to 10 kg. Complete with 1 m of load cell cable.



Page 313

### 1042, ALUMINUM



A lower profile single-point load cell for platform weighing. This model is constructed of aluminum and is a two-beam design. This design offers high immunity to side forces and is specially coated to provide humidity resistance. Capacities range from 1 kg to 100 kg. Complete with 10 ft of load cell cable.



Page 314

### 1040, ALUMINUM



Low-profile, off-center loading load cell. Designed for direct mounting of weighing platforms, hanging scales and other low capacity beam applications. Long-term stability and durability are maintained. Load cells with potted cavities are available for improved performance in damp environments. Capacities range from 5 kg to 100 kg.



Page 315

### 1130, STAINLESS STEEL

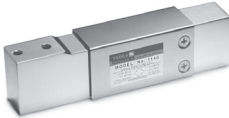


Stainless steel, single-point load cell designed for high performance in harsh environments. This product is primarily designed for platform weighing but is cost-effective to make it an appropriate selection for numerous applications. Capacities range from 7.5 kg to 100 kg. Complete with 1.5 m, 3 m or 25 ft of load cell cable.



Page 316

### 1140, STAINLESS STEEL



Low-profile, off-center loading load cell designed for direct mounting of weighing platforms, hanging scales and other low capacity beam applications. Stainless steel construction and a unique humidity-resistant protective coating provide long-term stability, even in harsh environments. Load cells are potted for improved performance in damp environments. Capacities range from 15 kg to 150 kg.



Page 317

### 1240, STAINLESS STEEL



Compact in design, this low-profile single-point load cell is ideally suited for light-industrial or people-weighing applications where deck height is a concern. The three-beam design makes the load cell less likely to be impacted by side forces and mounting imperfections. It features stainless steel construction and humidity-resistant coating for use in harsh environments with extreme temperatures. Capacities range from 200 kg to 250 kg. Complete with 10 ft of load cell cable.





## SINGLE POINTS

Page 318

### 1142, STAINLESS STEEL



The perfect selection for new or retrofit scales with compact size, high accuracy and low cost. Stainless steel construction with a humidity-resistant protective coating helps ensure stable operation in damp environments. NTEP Certified and available with OIML approval. Capacities range from 10 kg to 150 kg. Complete with 10 ft of load cell cable.



Page 319

### 1260, ALUMINUM



High capacity, off-center loading aluminum single-point load cell. This model is of the two-beam design, and is specially coated to assure durability in harsh environments. Capacities range from 50 kg to 635 kg. Complete with 10 ft of load cell cable.



Page 320

### 1260S, ALUMINUM



This single-point, off-center loading, aluminum load cell is designed for high-capacity applications and harsh environments. NTEP Certified to 10,000 divisions. Capacities range from 75 kg to 635 kg. Complete with 10 ft of load cell cable.



Page 321

### 1263, ALUMINUM



Constructed of high-quality aluminum and offers high immunity to side loads, making it suitable for a wide array of applications like bench scales and process weighing. Its special humidity-resistant protective coating helps assure long-term stability over the entire compensated range. OIML approved capacities range from 50 kg to 635 kg. Complete with 1.5 m of load cell cable.



Page 322

### 1250, ALUMINUM



High capacity, off-center loading load cell accurately weighs loads from 50 kg to 1,000 kg. Long-term stability and durability are maintained. Load cells are potted for improved performance in damp environments.



Page 323

### 1320, ALUMINUM



Single-point load cell featuring individual adjustment to eliminate corner errors and direct mounting of low-profile platforms to simplify the construction of floor scales, weigh bars, hanging scales and other types of weighing devices. Capacities range from 1,000 kg to 2,000 kg.



# VPG Tedea-Huntleigh

## SINGLE POINTS

### Page 324

### 1510, STAINLESS STEEL



A stainless steel, welded-seal single-point load cell ideally suited for washdown applications. Suitable for use with a variety of platform and monorail scales in sanitary environments. Capacities range from 100 kg to 500 kg.



### Page 325

### 240, ALLOY STEEL/STAINLESS STEEL, FLUID DAMPED



Designed to decrease weighing time and improve weighing accuracy in high-speed weighing applications. When damped, this model endures harsh conditions with shock-loading applications longer than undamped models. Sealed for protection in washdown situations. Capacities range from 2 kg to 50 kg.



TEDEA-HUNTLEIGH®  
VPG®

### Page 326

### 9010, ALUMINUM, FLUID DAMPED



A self-contained weighing module for use in repeated shock-loading applications or where fast weighing and settling times are required. Each is custom manufactured per specific application requirements. Capacities range from 3 kg to 50 kg.



### Page 327

### 9010 APPLICATION DEFINITION FORM

## PLANAR BEAM

### Page 328

### 380, ALUMINUM



Low-profile planar beam designed for a range of capacities and direct mounting in platform scales. Capacities range from 7.5 kg to 150 kg. Complete with 1.5 m of flat ribbon PVC cable.



## COMPRESSION CANISTER

### Page 329

### 220, STAINLESS STEEL



Bending ring load cell with low profile design ideal for high capacity weighing applications, including weighbridges, tanks, silos, high capacity platform scales and force measurement. OIML approved capacities range from 5,000 kg to 30,000 kg.



### Page 330

### 120, STAINLESS STEEL



Stainless steel, welded-seal canister offered in capacities from 20,000 kg to 50,000 kg. Includes load cup and load pin.



Picture is a representation of actual product

**Approvals**



Available upon request

Available upon request

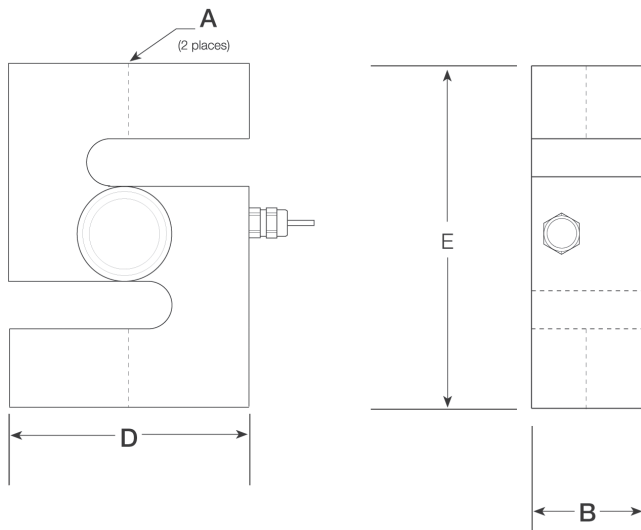
**Order Information**

Load Rating	Part #	Est. Weight	Price
500 kg	<b>36389</b>	4 lb	\$689.00
1,000 kg	<b>36390</b>	4 lb	\$689.00
2,000 kg	<b>36391</b>	4 lb	\$689.00

**Dimensions**

Rated Capacity	A	B	D	E
kg/mm				
500 to 1,000	1/2-20 UNF	33.5	73.2	94.0
2,000	3/4-16 UNF	33.5	73.2	94.0

Metric threads available



**Weigh Module Available**

RICE LAKE WEIGHING SYSTEMS  
**ITCM Isolated Tension Cell Mount**..... page 38

**Specifications**

**Full Scale Output:**  
2.0 mV/V

**Output Resistance:**  
350 (± 3) ohm

**Input Resistance:**  
400 (± 20) ohm

**Material/Finish:**  
Stainless steel

**Temperature:**  
Compensated:  
14 °F to 104 °F (-10 °C to 40 °C)  
Operating:  
0 °F to 150 °F (-18 °C to 65 °C)

**Seal Type:**  
Welded-seal, IP68

**Safe Overload:**  
150% full scale

**Rated Excitation:**  
5 to 10 VDC (15 V maximum)

**Combined Error:**  
0.02% full scale

**Insulation Resistance:**  
1,000 megohm

**Cable Length:**  
5 m

**Cable Diameter:**  
0.220 in  
Polyurethane jacket

**Cable Color Code:**  
Blue +Excitation  
Black -Excitation  
White +Signal  
Red -Signal  
Green +Sense  
Grey -Sense

**Warranty:**  
One-year limited

**Approvals:**  
cFMus  
NTEP  
Ex (Available upon request)  
OIML (Available upon request)

VPG®  
TEDEA-HUNTLEIGH®

# 3411/3421

Alloy/Stainless Steel, Environmentally Sealed, NTEP Certified 1:3,000 Single Cell, 1:5,000 Multiple Cell Class III, IP67



Picture is a representation of actual product

### Approvals



Available upon request

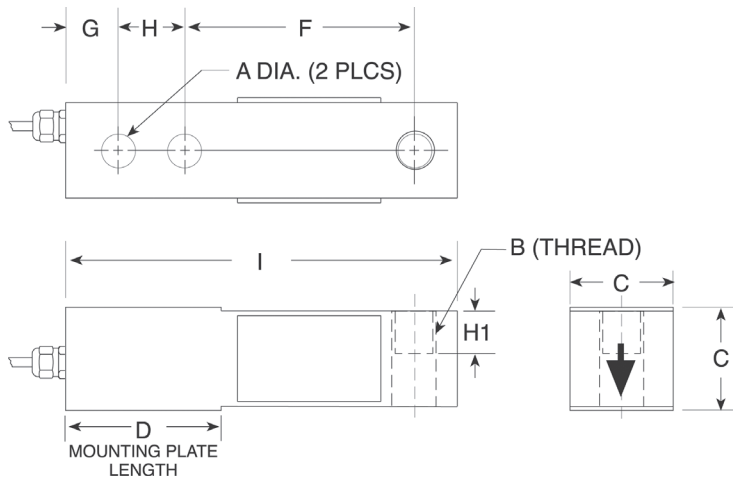
Available upon request

### Order Information

Load Rating	Part #	Est. Weight	Price
<b>Alloy Steel</b>			
1,000 lb	29903	3 lb	\$312.00
2,500 lb	29904	3 lb	\$312.00
4,000 lb	29905	3 lb	\$312.00
5,000 lb	29906	4 lb	\$397.00
<b>Stainless Steel</b>			
1,000 lb	47871	3 lb	\$371.00
2,500 lb	47872	3 lb	\$371.00
4,000 lb	47873	3 lb	\$350.00
5,000 lb	47874	4 lb	\$445.00
10,000 lb	47875	4 lb	\$471.00

### Dimensions

Rated Capacity	A	B	C	D	F	G	H	H1	I
1,000 to 4,000	0.53	1/2-20 UNF	1.24	2.25	3.00	0.63	1.00	0.60	5.12
5,000 to 10,000	0.78	3/4-16 UNF	1.49	3.00	3.75	0.75	1.50	0.75	6.75



### Interchangeable Products

- RICE LAKE WEIGHING SYSTEMS  
**RL30000I**.....page 112
- RICE LAKE WEIGHING SYSTEMS  
**RL39123\***.....page 115
- VPG® REVERE  
**5123**.....page 246
- VPG REVERE  
**9123\***.....page 247

### Weigh Module Available

- RICE LAKE WEIGHING SYSTEMS  
**RL50210TA**.....page 41
- RICE LAKE WEIGHING SYSTEMS  
**RL1800 Series**.....page 52

\*Stainless steel

### Specifications

- Full Scale Output:**  
3.0 mV/V
- Output Resistance:**  
351 (± 5) ohm
- Input Resistance:**  
385 (± 10) ohm
- Material/Finish:**  
High-alloy, nickel plated  
Stainless steel
- Temperature:**  
Compensated:  
14 °F to 104 °F (-10 °C to 40 °C)  
Operating:  
0 °F to 150 °F (-18 °C to 65 °C)
- Seal Type:**  
Environmentally sealed, IP67
- Safe Overload:**  
150% full scale
- Safe Sideload:**  
100% full scale
- Rated Excitation:**  
5 to 10 VDC (15 V maximum)
- Combined Error:**  
0.03% full scale
- Insulation Resistance:**  
2,000 megohm
- Deflection at Capacity:**  
0.015 in
- Cable Length:**  
10 ft
- Cable Diameter:**  
0.200 in  
PVC jacket
- Cable Color Code:**  
Red +Excitation  
Black -Excitation  
Green +Signal  
White -Signal  
Blue +Sense  
Brown -Sense
- Warranty:**  
One-year limited
- Approvals:**  
cFMus  
NTEP  
Ex (Available upon request)  
OIML (Available upon request)



Picture is a representation of actual product

**Approvals**

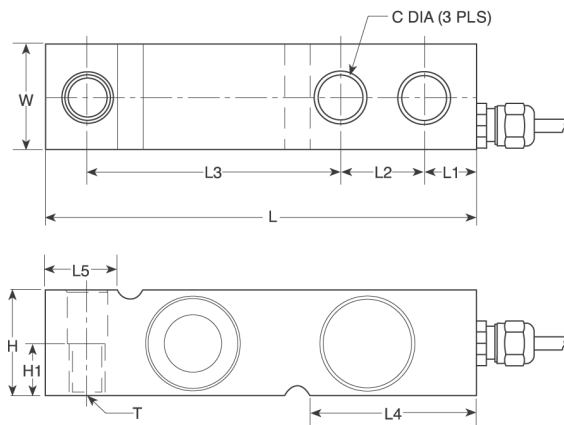


**Order Information**

Load Rating	Part #	Est. Weight	Price
1,000 lb	<b>36458</b>	3 lb	\$515.00
1,500 lb	<b>36459</b>	3 lb	\$515.00
2,500 lb	<b>36460</b>	3 lb	\$515.00
4,000 lb	<b>36461</b>	3 lb	\$515.00

**Dimensions**

Rated Capacity	C	H	H1	L	L1	L2	L3	L4	L5	T	W
lb/in											
1,000 to 4,000	0.53	1.26	0.63	5.12	0.62	1.00	3.00	1.97	0.91	1/2-14 UNF	1.26



**Interchangeable Products**

- VPG® SENSORTRONICS®  
**65083**..... page 284
- VPG® CELTRON®  
**SQB-HSS**.....page 192

**Weigh Module Available**

- RICE LAKE WEIGHING SYSTEMS  
**RL1700 HE** .....page 33

**Specifications**

- Full Scale Output:**  
3.0 mV/V
- Output Resistance:**  
350 (± 3) ohm
- Input Resistance:**  
415 (± 15) ohm
- Material/Finish:**  
Stainless steel
- Temperature:**  
Compensated:  
14 °F to 104 °F (-10 °C to 40 °C)  
Operating:  
0 °F to 150 °F (-18 °C to 65 °C)

- Seal Type:**  
Welded-seal, IP68

- Safe Overload:**  
150% full scale

- Safe Sideload:**  
100% full scale

- Rated Excitation:**  
5 to 10 VDC (15 V maximum)

- Combined Error:**  
0.02% full scale

- Insulation Resistance:**  
1,000 megohm

- Deflection at Capacity:**  
0.015 in

- Cable Length:**  
5 m

- Cable Diameter:**  
0.220 in  
Polyurethane jacket

- Cable Color Code:**  
Blue +Excitation  
Black -Excitation  
White +Signal  
Red -Signal  
Green +Sense  
Gray -Sense

- Warranty:**  
One-year limited

- Approvals:**  
cFMus  
NTEP

**VPG®  
TEDEA-HUNTLEIGH®**

SINGLE-ENDED BEAM  
**3510-OIML**

Stainless Steel, Welded Seal, OIML C3, IP68



Picture is a representation of actual product

Approvals



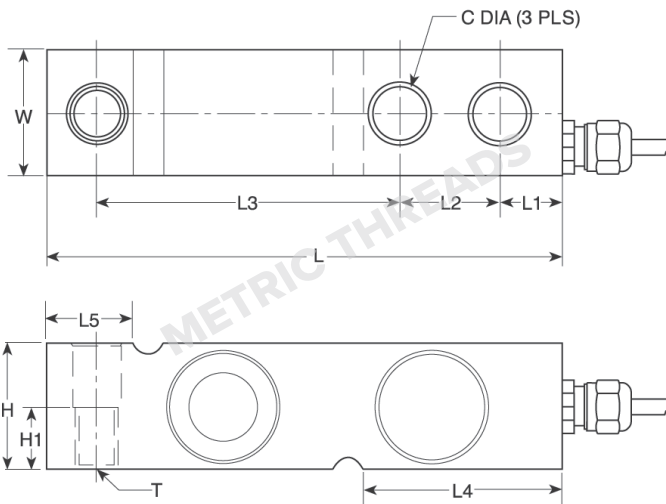
Available upon request

Order Information

Load Rating	Part #	Est. Weight	Price
500 kg	30161	3 lb	\$514.00
1,000 kg	30162	3 lb	\$514.00
2,000 kg	30163	3 lb	\$514.00
5,000 kg	30164	5 lb	\$514.00

Dimensions

Rated Capacity	C	H	H1	L	L1	L2	L3	L4	L5	T	W
kg/mm											
500 to 2,000	13.5	32.0	16.0	130.0	15.8	25.4	76.2	50.5	23.5	M12 × 1.75 Thrd.	32.0
5,000	20.5	48.0	—	171.5	19.0	38.1	95.3	70.0	37.0	—	36.5



Interchangeable Products

RICE LAKE WEIGHING SYSTEMS  
**RLHTO** .....page 118

Weigh Module Available

RICE LAKE WEIGHING SYSTEMS  
**RL1700 HE** .....page 33

Specifications

- Full Scale Output:**  
2.0 mV/V
- Output Resistance:**  
350 (± 3) ohm
- Input Resistance:**  
380 (± 10) ohm
- Material/Finish:**  
Stainless steel
- Temperature:**  
Operating:  
0 °F to 150 °F (-18 °C to 65 °C)
- Seal Type:**  
Welded-seal, IP68
- Safe Overload:**  
150% full scale
- Safe Sideload:**  
100% full scale
- Rated Excitation:**  
5 to 10 VDC (15 V maximum)
- Combined Error:**  
0.02% full scale
- Insulation Resistance:**  
2,000 megohm
- Deflection at Capacity:**  
0.015 in
- Cable Length:**  
5 m
- Cable Diameter:**  
0.220 in  
Polyurethane jacket
- Cable Color Code:**  
Blue +Excitation  
Black -Excitation  
White +Signal  
Red -Signal  
Green +Sense  
Gray -Sense
- Warranty:**  
One-year limited
- Approvals:**  
cFMus  
OIML  
Ex (Available upon request)

TEDEA-HUNTLEIGH® VPC®



Picture is a representation of actual product

**Approvals**



Available upon request

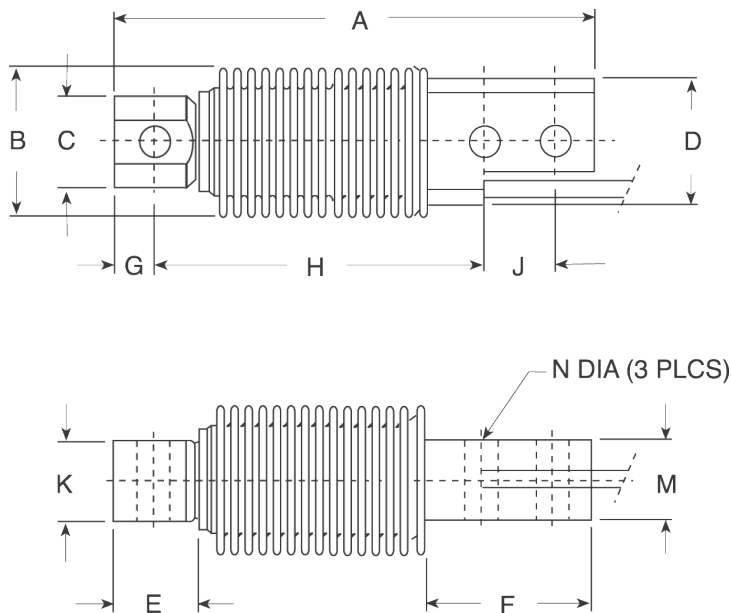
Available upon request

**Order Information**

Load Rating	Part #	Est. Weight	Price
5 kg	<b>30165</b>	2 lb	\$556.00
10 kg	<b>30166</b>	2 lb	\$556.00
20 kg	<b>30167</b>	2 lb	\$556.00
50 kg	<b>30168</b>	2 lb	\$556.00
100 kg	<b>30169</b>	2 lb	\$556.00
200 kg	<b>30170</b>	2 lb	\$556.00
500 kg	<b>36463</b>	2 lb	\$556.00

**Dimensions**

Rated Capacity	A	B	C	D	E	F	G	H	J	K	M	N
kg/mm												
5 to 500	120.0	40.0	23.0	32.0	20.5	45.5	10.0	82.0	18.0	20.0	20.0	8.2



**Interchangeable Products**

- RICE LAKE WEIGHING SYSTEMS
- RL9018SS** .....page 111
- VPG® REVERE
- SHB**..... page 253
- HBK®
- Z6** ..... page 226

**Weigh Module Available**

- RICE LAKE WEIGHING SYSTEMS
- RL1700 HE** .....page 33

**Specifications**

- Full Scale Output:**  
2.0 mV/V
- Output Resistance:**  
355 (± 5) ohm
- Input Resistance:**  
380 (± 10) ohm
- Material/Finish:**  
Stainless steel
- Temperature:**  
Compensated:  
14 °F to 104 °F (-10 °C to 40 °C)  
Operating:  
0 °F to 150 °F (-18 °C to 65 °C)
- Seal Type:**  
Welded-seal, IP68
- Safe Overload:**  
150% full scale
- Rated Excitation:**  
5 to 10 VDC (15 V maximum)
- Combined Error:**  
0.02% full scale
- Insulation Resistance:**  
2,000 megohm
- Deflection at Capacity:**  
0.015 in
- Cable Length:**  
10 ft
- Cable Diameter:**  
0.220 in  
Polyurethane jacket
- Cable Color Code:**  
Blue +Excitation  
Black -Excitation  
White +Signal  
Red -Signal  
Green +Sense  
Grey -Sense
- Warranty:**  
One-year limited
- Approvals:**  
cFMus  
NTEP  
Ex (Available upon request)  
OIML (Available upon request)

**VPG®**  
**TEDEA-HUNTLEIGH®**



Picture is a representation of actual product

Approvals



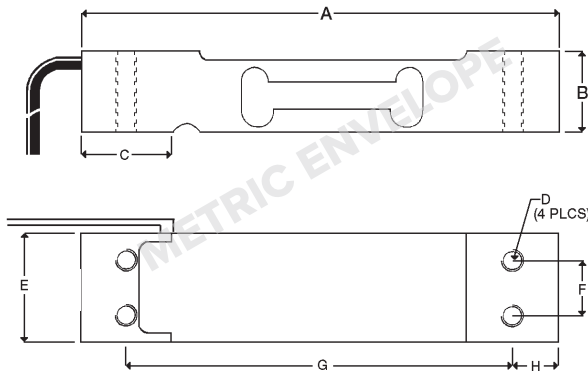
Available upon request

Order Information

Load Rating	Part #	Est. Weight	Price
<b>1.5 ft Cables NTEP Certified</b>			
3 kg	41135	2 lb	\$148.00
5 kg	41136	2 lb	\$148.00
7 kg	41137	2 lb	\$148.00
10 kg	41138	2 lb	\$148.00
15 kg	41139	2 lb	\$148.00
20 kg	41140	2 lb	\$148.00
30 kg	41141	2 lb	\$148.00
35 kg	41142	2 lb	\$148.00
<b>10 ft Cables NTEP Certified</b>			
3 kg	132269	2 lb	\$148.00
5 kg	132270	2 lb	\$148.00
7 kg	132271	2 lb	\$148.00
10 kg	132272	2 lb	\$148.00
15 kg	132273	2 lb	\$148.00
20 kg	132274	2 lb	\$148.00
30 kg	132275	2 lb	\$148.00
35 kg	132276	2 lb	\$148.00
<b>1.5 ft Cables OIML Approved</b>			
10 kg	150770	2 lb	\$148.00
15 kg	150771	2 lb	\$148.00
20 kg	150772	2 lb	\$148.00
30 kg	150773	2 lb	\$148.00

Dimensions

Rated Capacity	A	B	C	D	E	F	G	H
kg/mm								
3 to 7	130.0	22.0	25.0	M6 × 1.0	25.4	15.0	106.0	12.0
10 to 30	130.0	22.0	25.0	M6 × 1.0	30.0	15.0	106.0	12.0
35	130.0	22.0	25.0	M6 × 1.0	40.0	15.0	106.0	12.0



Interchangeable Products

- RICE LAKE WEIGHING SYSTEMS
- RL1521A.....page 158
- VPG® CELTRON®
- LPS.....page 197
- VPG® BLH®
- C2G1
- NMB®
- C2G1

Specifications

- Full Scale Output:**  
2.0 mV/V
- Output Resistance:**  
350 (± 3) ohm
- Input Resistance:**  
415 (± 15) ohm
- Material/Finish:**  
Anodized aluminum
- Temperature:**  
Compensated:  
14 °F to 104 °F (-10 °C to 40 °C)  
Operating:  
0 °F to 150 °F (-18 °C to 65 °C)
- Seal Type:**  
Environmentally sealed, IP66
- Safe Overload:**  
150% full scale
- Rated Excitation:**  
5 to 10 VDC (15 V maximum)
- Combined Error:**  
0.02% full scale
- Insulation Resistance:**  
2,000 megohm
- Cable Length:**  
10 ft  
1.5 ft
- Cable Diameter:**  
0.140 in  
PVC jacket
- Cable Color Code:**  
Green +Excitation  
Black -Excitation  
Red +Signal  
White -Signal
- Max Platform Size:**  
13.78 × 13.78 in
- Warranty:**  
One-year limited
- Approvals:**  
cFMus  
NTEP  
OIML  
Ex (Available upon request)







Picture is a representation of actual product

### Approvals

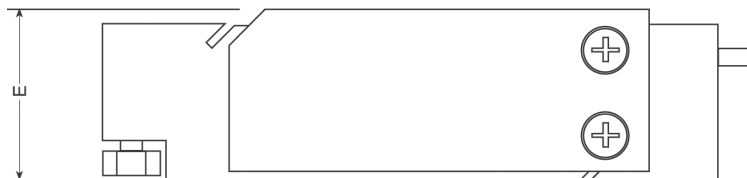
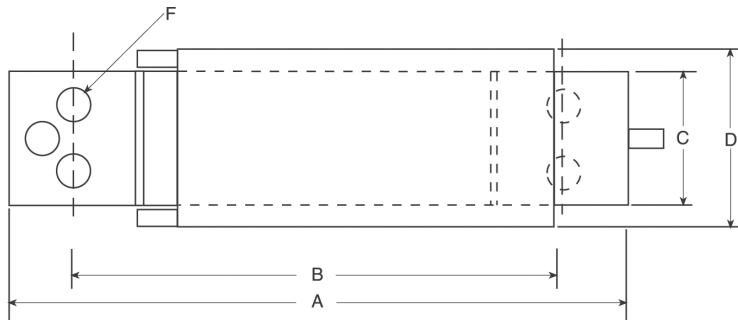


### Order Information

Load Rating	Part #	Est. Weight	Price
3 kg	47882	1 lb	\$280.00
5 kg	47883	1 lb	\$280.00
7 kg	47884	1 lb	\$280.00
10 kg	47885	1 lb	\$280.00

### Dimensions

Rated Capacity	A	B	C	D	E	F
kg/mm						
3 to 10	117.9	93.7	25.4	33.3	32.5	1/4-20UNC x 10DP



### Specifications

**Full Scale Output:**

2.0 mV/V

**Output Resistance:**

350 (± 3) ohm

**Input Resistance:**

415 (± 15) ohm

**Material/Finish:**

Anodized aluminum

**Temperature:**

Operating:  
0 °F to 150 °F (-18 °C to 65 °C)

**Seal Type:**

Environmentally sealed, IP65

**Safe Overload:**

150% full scale

**Rated Excitation:**

5 to 10 VDC (15 V maximum)

**Combined Error:**

0.02% full scale

**Insulation Resistance:**

5,000 megohm

**Deflection at Capacity:**

0.015 in

**Cable Length:**

1 m

**Cable Diameter:**

0.200 in PVC jacket

**Cable Color Code:**

Green +Excitation  
Black -Excitation  
Red +Signal  
White -Signal  
Blue +Sense  
Brown -Sense

**Max Platform Size:**

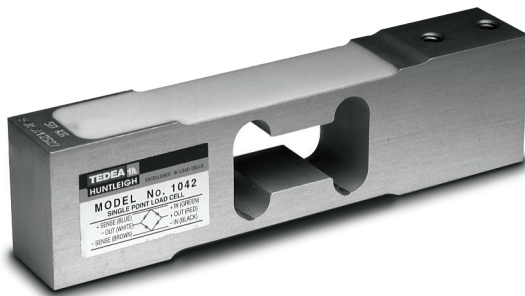
13.78 x 13.78 in

**Warranty:**

One-year limited

**Approvals:**

cFMus  
OIML



Picture is a representation of actual product

**Approvals**



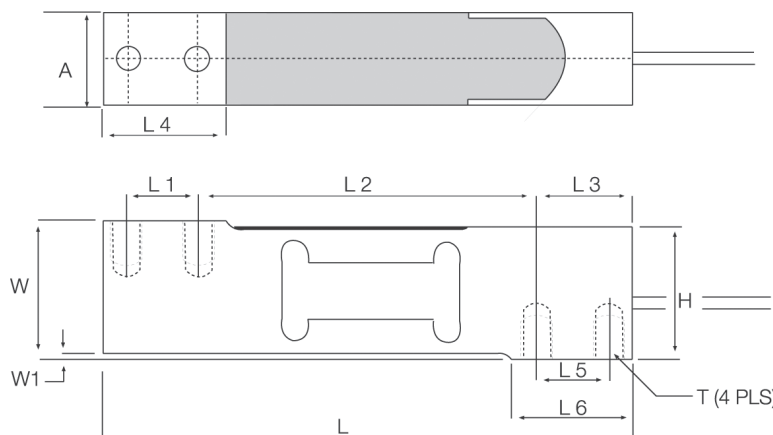
Available upon request

**Order Information**

Load Rating	Part #	Est. Weight	Price
1 kg	40680	2 lb	\$190.00
3 kg	40681	2 lb	\$190.00
5 kg	40682	2 lb	\$190.00
10 kg	40683	2 lb	\$190.00
15 kg	40684	2 lb	\$190.00
20 kg	40685	2 lb	\$190.00
30 kg	40686	2 lb	\$190.00
50 kg	40687	2 lb	\$190.00
75 kg	40688	2 lb	\$190.00
100 kg	40689	2 lb	\$190.00

**Dimensions**

Rated Capacity	A	H	L	L1	L2	L3	L4	L5	L6	W	W1	T
kg/mm												
1 to 30	20.0	39.0	150.0	19.0	100.0	25.0	34.0	19.0	34.0	40.0	1.0	1/4-20 UNC
50 to 100	25.2	39.0	150.0	19.0	100.0	25.0	34.0	19.0	34.0	40.0	1.0	1/4-20 UNC



**Interchangeable Products**

- RICE LAKE WEIGHING SYSTEMS  
**RL1042**.....page 163
- RICE LAKE WEIGHING SYSTEMS  
**RL42018A**.....page 171

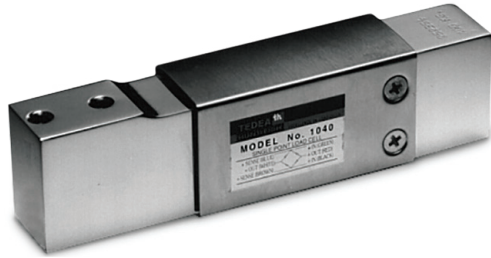
**Specifications**

- Full Scale Output:**  
2.0 mV/V
- Output Resistance:**  
350 (± 3) ohm
- Input Resistance:**  
415 (± 15) ohm
- Material/Finish:**  
Aluminum
- Temperature:**  
Compensated:  
14 °F to 104 °F (-10 °C to 40 °C)  
Operating:  
0 °F to 150 °F (-18 °C to 65 °C)
- Seal Type:**  
Environmentally sealed, IP66
- Safe Overload:**  
150% full scale
- Rated Excitation:**  
5 to 10 VDC (15 V maximum)
- Combined Error:**  
0.02% full scale
- Insulation Resistance:**  
2,000 megohm
- Deflection at Capacity:**  
0.015 in
- Cable Length:**  
10 ft
- Cable Diameter:**  
0.200 in PVC jacket
- Cable Color Code:**  
Green +Excitation  
Black -Excitation  
Red +Signal  
White -Signal  
Blue +Sense  
Brown -Sense
- Max Platform Size:**  
16 × 16 in
- Warranty:**  
One-year limited
- Approvals:**  
NTEP  
cFMus  
OIML (Available upon request)

**VPG®**  
**TEDEA-HUNTLEIGH®**

# 1040

Aluminum, Environmentally Sealed, NTEP Certified 1:5,000 Class III Single Cell, IP65



Picture is a representation of actual product

### Approvals



Available upon request

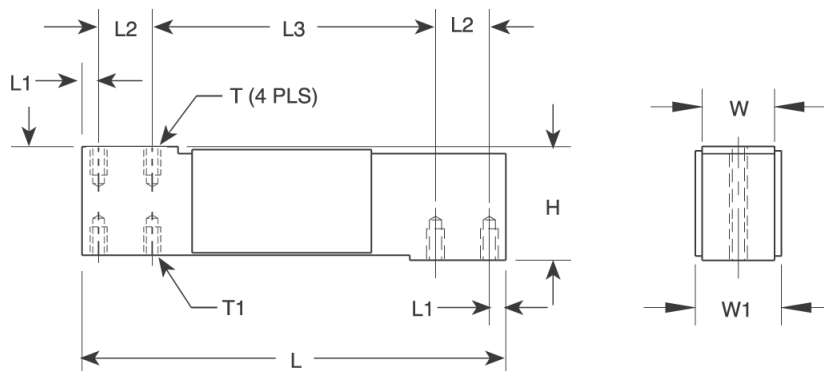
Available upon request

### Order Information

Load Rating	Part #	Est. Weight	Price
<b>NTEP Certified, Potted</b>			
10 kg	33719	2 lb	\$207.00
15 kg	33720	2 lb	\$207.00
20 kg	33721	2 lb	\$207.00
30 kg	33722	2 lb	\$207.00
50 kg	33723	2 lb	\$207.00
100 kg	33724	2 lb	\$207.00
<b>Non-NTEP Certified, Potted</b>			
5 kg	17449	2 lb	\$200.00
7 kg	17483	2 lb	\$200.00
<b>NTEP Certified, Unpotted</b>			
7 kg	33726	2 lb	\$200.00

### Dimensions

Rated Capacity	H	L	L1	L2	L3	T	T1	W	W1
kg/mm									
5 to 100	40.0	150.0	6.0	19.1	100.0	1/4-20	1/4-28	25.4	29.4



### Interchangeable Products

RICE LAKE WEIGHING SYSTEMS

**RL1040** ..... page 164

METTLER TOLEDO®

**0785**

CARDINAL®

**TSP**

### Specifications

**Full Scale Output:**

2.0 mV/V

**Output Resistance:**

350 (± 3) ohm

**Input Resistance:**

415 (± 15) ohm

**Material/Finish:**

Anodized aluminum

**Temperature:**

Compensated:

14 °F to 104 °F (-10 °C to 40 °C)

Operating:

0 °F to 150 °F (-18 °C to 65 °C)

**Seal Type:**

Environmentally sealed, IP65

**Safe Overload:**

200% at center loading point, full scale

**Rated Excitation:**

5 to 10 VDC (15 V maximum)

**Combined Error:**

0.02% full scale

**Insulation Resistance:**

2,000 megohm

**Deflection at Capacity:**

0.015 in

**Cable Length:**

10 ft

**Cable Diameter:**

0.200 in

PVC jacket

**Cable Color Code:**

Green +Excitation

Black -Excitation

Red +Signal

White -Signal

Blue +Sense

Brown -Sense

**Max Platform Size:**

15.75 × 15.75 in

**Warranty:**

One-year limited

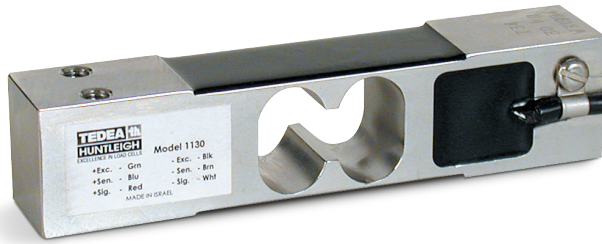
**Approvals:**

cFMus

NTEP

Ex (Available upon request)

OIML (Available upon request)



Picture is a representation of actual product

**Approvals**



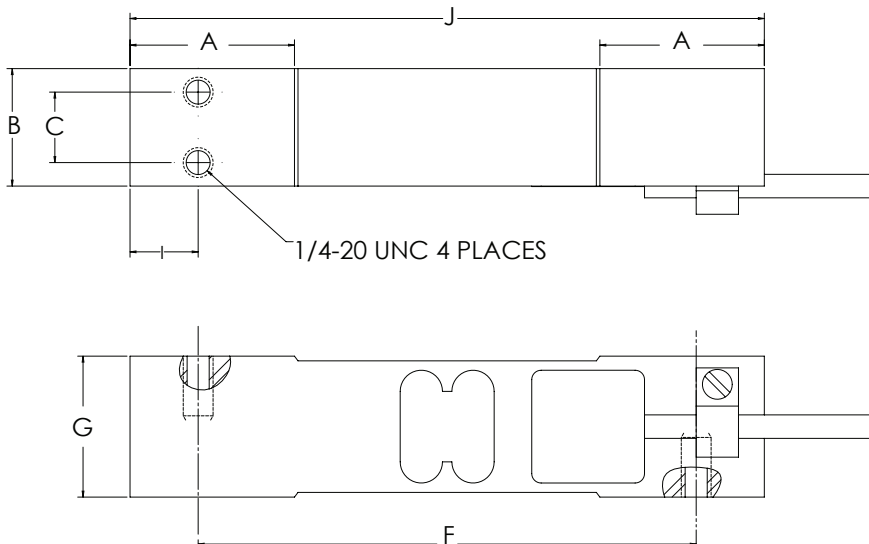
**Order Information**

Load Rating	Part #	Est. Weight	Price
<b>1.5 m Cable</b>			
7.5 kg	53485	2 lb	\$270.00
10 kg	112374	2 lb	\$270.00
15 kg	53486	2 lb	\$270.00
30 kg	53487	2 lb	\$270.00
50 kg	53488	2 lb	\$270.00
100 kg*	53490	2 lb	\$270.00
<b>3 m Cable</b>			
7.5 kg	111381	2 lb	\$280.00
10 kg	112365	2 lb	\$280.00
15 kg	114132	2 lb	\$280.00
30 kg	114133	2 lb	\$280.00
<b>25 ft Cable Trimmed Outputs</b>			
15 kg	124512	2 lb	\$315.00
30 kg	124513	2 lb	\$315.00

\*Non-NTEP Certified

**Dimensions**

Rated Capacity	A	B	C	F	G	I	J
kg/mm							
7.5 to 100	35.0	25.0	15.0	106.0	30.0	14.5	135.0



**Interchangeable Products**

AVERY WEIGH-TRONIX®  
**MK29**

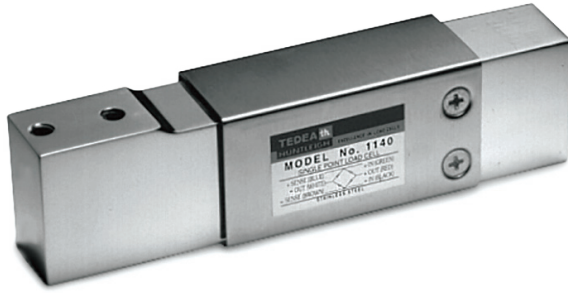
**Specifications**

- Full Scale Output:**  
2.0 mV/V
- Output Resistance:**  
350 (± 3) ohm
- Input Resistance:**  
385 (± 15) ohm
- Material/Finish:**  
Stainless steel
- Temperature:**  
Compensated:  
14 °F to 104 °F (-10 °C to 40 °C)  
Operating:  
0 °F to 150 °F (-18 °C to 65 °C)
- Seal Type:**  
Environmentally sealed, IP66
- Safe Overload:**  
200% full scale, at center loading point
- Rated Excitation:**  
5 to 10 VDC (15 V maximum)
- Combined Error:**  
0.02% full scale
- Insulation Resistance:**  
2,000 megohm
- Deflection at Capacity:**  
0.015 in
- Cable Length:**  
1.5 m  
3 m  
25 ft
- Cable Diameter:**  
0.200 in  
PVC jacket
- Cable Color Code:**  
Green +Excitation  
Black -Excitation  
Red +Signal  
White -Signal  
Blue +Sense  
Brown -Sense
- Max Platform Size:**  
15.75 × 15.75 in
- Warranty:**  
One-year limited
- Approvals:**  
cFMus  
NTEP (100 kg is non-NTEP)

**VPG®  
TEDEA-HUNTLEIGH®**

# 1140

Stainless Steel, Environmentally Sealed, Potted IP65



Picture is a representation of actual product

**Approvals**

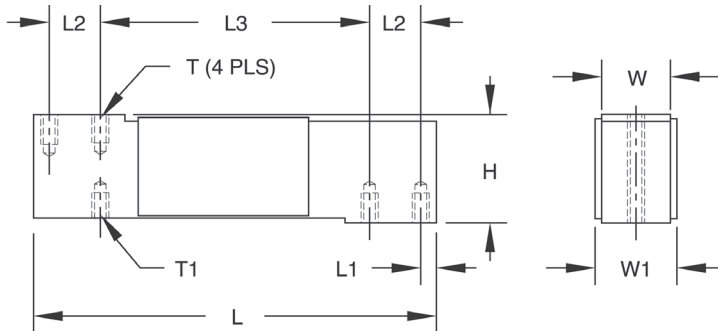


**Order Information**

Load Rating	Part #	Est. Weight	Price
15 kg	17451	3 lb	\$339.00
30 kg	17452	3 lb	\$339.00
50 kg	17468	3 lb	\$339.00
75 kg	17485	3 lb	\$339.00
100 kg	17453	3 lb	\$339.00
150 kg	36466	3 lb	\$339.00

**Dimensions**

Rated Capacity	H	L	L1	L2	L3	T	T1	W	W1
kg/mm									
15 to 150	40.0	150.0	5.95	19.1	100.0	1/4-20	1/4-28	25.4	29.4



**Interchangeable Products**

RICE LAKE WEIGHING SYSTEMS  
**RL1140**.....page 165

**Specifications**

- Full Scale Output:**  
2.0 mV/V
- Output Resistance:**  
350 (± 5) ohm
- Input Resistance:**  
383 (± 15) ohm
- Material/Finish:**  
Stainless steel
- Temperature:**  
Compensated:  
14 °F to 104 °F (-10 °C to 40 °C)  
Operating:  
0 °F to 150 °F (-18 °C to 65 °C)
- Seal Type:**  
Environmentally sealed, IP65
- Safe Overload:**  
150% at center loading point, full scale
- Rated Excitation:**  
5 to 10 VDC (15 V maximum)
- Combined Error:**  
0.02% full scale
- Insulation Resistance:**  
2,000 megohm
- Deflection at Capacity:**  
0.015 in
- Cable Length:**  
10 ft
- Cable Color Code:**  
Green +Excitation  
Black -Excitation  
Red +Signal  
White -Signal  
Blue +Sense  
Brown -Sense
- Max Platform Size:**  
15.75 × 15.75 in
- Warranty:**  
One-year limited
- Approvals:**  
cFMus

TEDEA-HUNTLEIGH® VPC®



Picture is a representation of actual product

Approvals

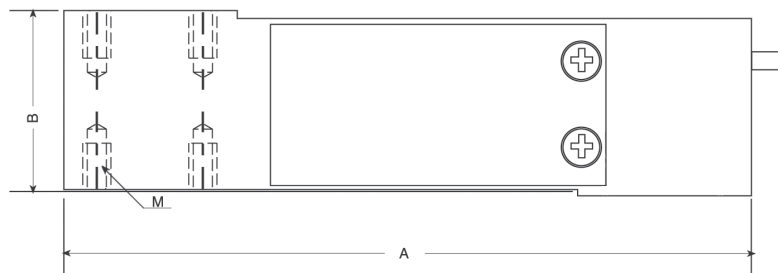
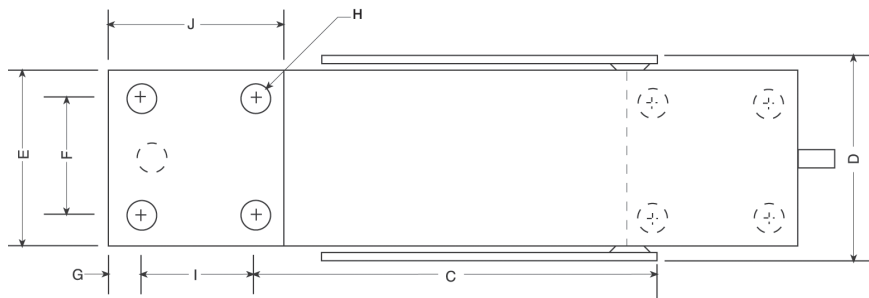


Order Information

Load Rating	Part #	Est. Weight	Price
200 kg	47880	3 lb	\$371.00
250 kg	47881	3 lb	\$371.00

Dimensions

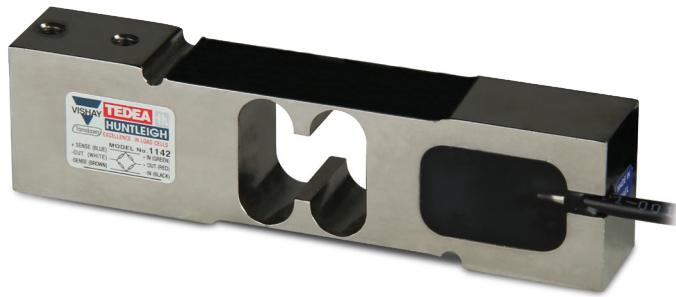
Rated Capacity	A	B	C	D	E	F	G	I	J	H	M
kg/mm											
200 to 250	150.1	39.9	86.6	43.4	38.1	25.4	6.35	25.4	38.1	1/4-20 UNC x 13 DP	1/4-28 UNF x 10 DP



Specifications

- Full Scale Output:**  
2.0 mV/V
- Output Resistance:**  
351 (± 5) ohm
- Input Resistance:**  
380 (± 15) ohm
- Material/Finish:**  
Stainless steel
- Temperature:**  
Operating:  
0 °F to 150 °F (-18 °C to 65 °C)
- Seal Type:**  
Environmentally sealed, IP64
- Safe Overload:**  
150% full scale
- Rated Excitation:**  
5 to 10 VDC (15 V maximum)
- Combined Error:**  
0.02% full scale
- Insulation Resistance:**  
2,000 megohm
- Deflection at Capacity:**  
0.015 in
- Cable Length:**  
10 ft
- Cable Diameter:**  
0.200 in  
PVC jacket
- Cable Color Code:**  
Green +Excitation  
Black -Excitation  
Red +Signal  
White -Signal  
Blue +Sense  
Brown -Sense
- Max Platform Size:**  
15.5 x 15.5 in
- Warranty:**  
One-year limited
- Approvals:**  
cFMus

VPC®  
TEDEA-HUNTLEIGH®



Picture is a representation of actual product

### Approvals



Available upon request

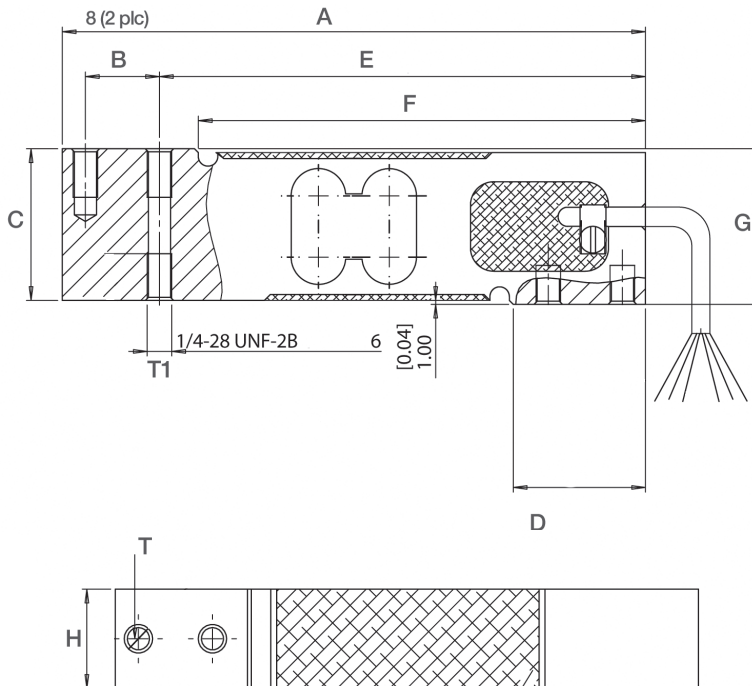
### Order Information

Load Rating	Part #	Est. Weight	Price
10 kg	156361	3 lb	\$339.00
15 kg	156362	3 lb	\$339.00
20 kg	156363	3 lb	\$339.00
30 kg	156364	3 lb	\$339.00
50 kg	156365	3 lb	\$339.00
100 kg	156367	3 lb	\$339.00
150 kg	157809	3 lb	\$339.00

Metric threads available as an option

### Dimensions

Rated Capacity	A	B	C	D	E	F	G	H	T	T1
kg/mm										
10 to 150	150.0	19.1	39.0	34.0	125.0	115.0	40.0	25.4	1/4-20 UNC	1/4-28 UNF



### Interchangeable Products

RICE LAKE WEIGHING SYSTEMS

RLPWM15..... page 156

HBK®\*

PW15..... page 229

\*Color code is different

### Specifications

**Full Scale Output:**

2.0 mV/V

**Output Resistance:**

351 (± 5.0) ohm

**Input Resistance:**

385 (± 10) ohm

**Material/Finish:**

Stainless steel

**Temperature:**

Compensated:

14 °F to 104 °F (-10 °C to 40 °C)

Operating:

0 °F to 150 °F (-18 °C to 65 °C)

**Seal Type:**

Environmentally sealed, IP66

**Safe Overload:**

150% full scale

**Rated Excitation:**

5 to 10 VDC nominal (15 V maximum)

**Combined Error:**

0.02% full scale

**Insulation Resistance:**

2,000 megohm

**Deflection at Capacity:**

0.015 in

**Cable Length:**

10 ft

**Cable Diameter:**

0.200 in PVC Jacket

**Cable Color Code:**

Green +Excitation

Black -Excitation

Red +Signal

White -Signal

Blue +Sense

Brown -Sense

**Max Platform Size:**

16 × 16 in

**Warranty:**

One-year limited

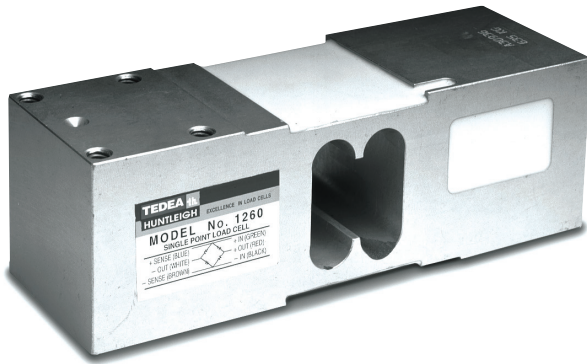
**Approvals:**

cFMus

NTEP

OIML (Available upon request)





Picture is a representation of actual product

**Approvals**



Available upon request

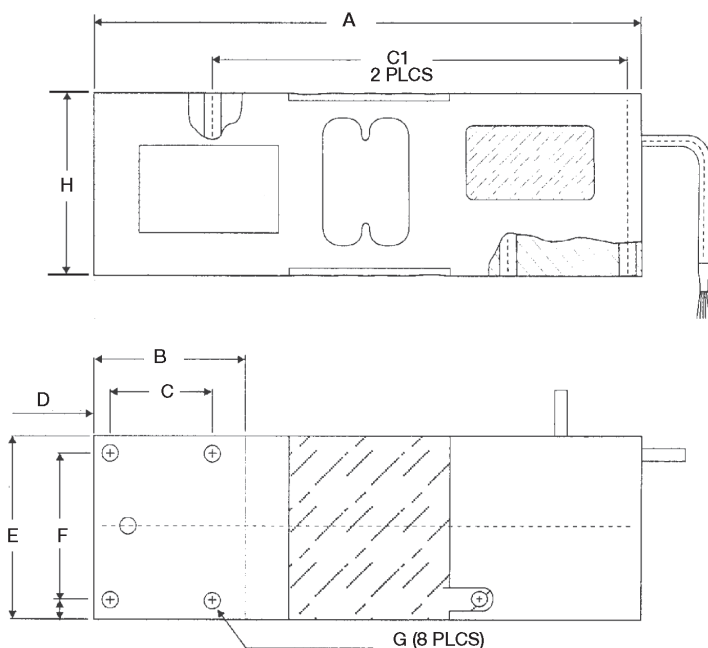
Available upon request

**Order Information**

Load Rating	Part #	Est. Weight	Price
50 kg	40769	5 lb	\$328.00
75 kg	40770	5 lb	\$328.00
100 kg	40771	5 lb	\$328.00
150 kg	159005	5 lb	\$328.00
200 kg	40772	5 lb	\$328.00
250 kg	40773	5 lb	\$328.00
300 kg	40774	5 lb	\$328.00
500 kg	40775	5 lb	\$328.00
635 kg	40776	5 lb	\$328.00

**Dimensions**

Rated Capacity	A	B	C	C1	D	E	F	G	H
kg/mm									
50 to 635	188.0	52.0	35.0	142.0	5.5	62.3	50.0	5/16-18 UNC	62.3



**Interchangeable Products**

- RICE LAKE WEIGHING SYSTEMS  
**RL1260**
- RICE LAKE WEIGHING SYSTEMS  
**RLPWM16**.....page 162
- VPG® TEDEA-HUNTLEIGH®  
**1260S**.....page 320

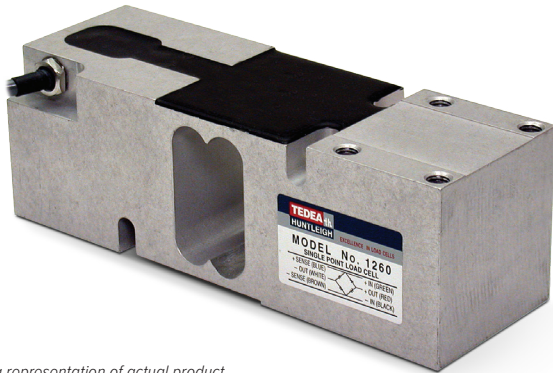
**Specifications**

- Full Scale Output:**  
2.0 mV/V
- Output Resistance:**  
350 (± 3) ohm
- Input Resistance:**  
415 (± 15) ohm
- Material/Finish:**  
Anodized aluminum
- Temperature:**  
Compensated:  
14 °F to 104 °F (-10 °C to 40 °C)  
Operating:  
0 °F to 150 °F (-18 °C to 65 °C)
- Seal Type:**  
Environmentally sealed, IP67
- Safe Overload:**  
150% of full scale at center loading point
- Rated Excitation:**  
5 to 10 VDC (15 V maximum)
- Combined Error:**  
0.02% full scale
- Insulation Resistance:**  
2,000 megohm
- Cable Length:**  
10 ft
- Cable Diameter:**  
0.220 in  
Polyurethane jacket
- Cable Color Code:**  
Green +Excitation  
Black -Excitation  
Red +Signal  
White -Signal  
Blue +Sense  
Brown -Sense
- Max Platform Size:**  
24 × 24 in
- Warranty:**  
One-year limited
- Approvals:**  
cFMus  
NTEP  
Ex (Available upon request)  
OIML (Available upon request)

**VPG®**  
**TEDEA-HUNTLEIGH®**

SINGLE POINT  
**1260S**

Aluminum, Environmentally Sealed, NTEP Certified 1:10,000 Class III Single Cell, IP66



Picture is a representation of actual product

Approvals

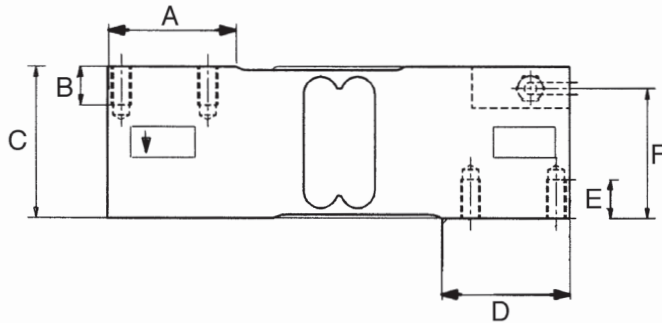


Order Information

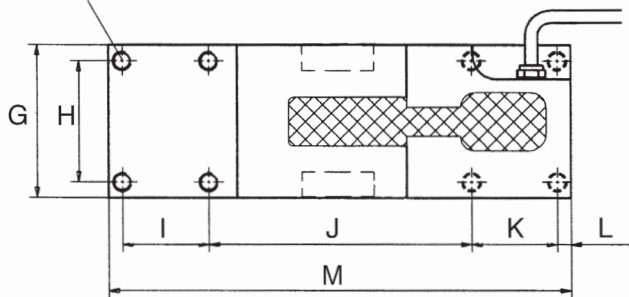
Load Rating	Part #	Est. Weight	Price
75 kg	76395	5 lb	\$344.00
100 kg	76396	5 lb	\$344.00
150 kg	76397	5 lb	\$344.00
200 kg	76398	5 lb	\$344.00
250 kg	76399	5 lb	\$344.00
500 kg	76401	5 lb	\$344.00
635 kg	76402	5 lb	\$344.00

Dimensions

Rated Capacity	A	B	C	D	E	F	G	H	I	J	K	L	M
kg/mm													
75 to 635	52.0	16.0	62.3	52.0	16.0	52.3	63.0	50.0	35.0	107.0	35.0	5.5	188.0



5/16-18 UNC-2b (8pls)



Interchangeable Products

- RICE LAKE WEIGHING SYSTEMS  
**RL1260**
- RICE LAKE WEIGHING SYSTEMS  
**RL26018A**.....page 169
- VPG® TEDEA-HUNTLEIGH®  
**1260** .....page 319

Specifications

- Full Scale Output:**  
2.0 mV/V
- Output Resistance:**  
350 (± 3) ohm
- Input Resistance:**  
415 (± 15) ohm
- Material/Finish:**  
Anodized aluminum
- Temperature:**  
Compensated:  
14 °F to 104 °F (-10 °C to 40 °C)  
Operating:  
0 °F to 150 °F (-18 °C to 65 °C)
- Seal Type:**  
Environmentally sealed, IP66
- Safe Overload:**  
150% of full scale at center loading point
- Rated Excitation:**  
5 to 10 VDC (15 V maximum)
- Combined Error:**  
0.02% full scale
- Insulation Resistance:**  
2,000 megohm
- Cable Length:**  
10 ft
- Cable Diameter:**  
0.220 in  
Polyurethane jacket
- Cable Color Code:**  
Green +Excitation  
Black -Excitation  
Red +Signal  
White -Signal  
Blue +Sense  
Brown -Sense
- Max Platform Size:**  
24 × 24 in
- Warranty:**  
One-year limited
- Approvals:**  
cFMus  
NTEP



Picture is a representation of actual product

Approvals



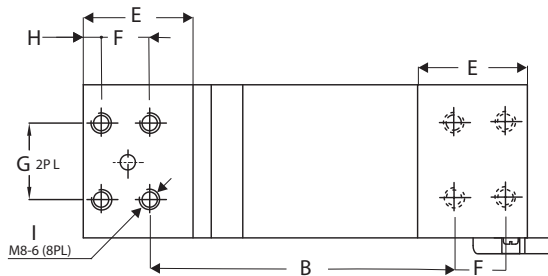
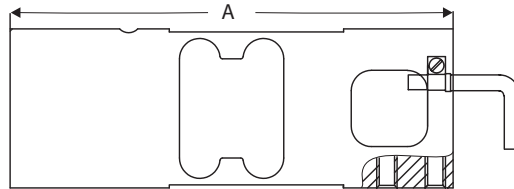
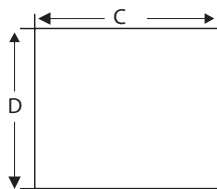
Available upon request

Order Information

Load Rating	Part #	Est. Weight	Price
50 kg	157478	5 lb	\$290.00
100 kg	157479	5 lb	\$290.00
150 kg	157480	5 lb	\$290.00
200 kg	157481	5 lb	\$290.00
250 kg	157482	5 lb	\$290.00
300 kg	157483	5 lb	\$290.00
500 kg	157484	5 lb	\$290.00
635 kg	157485	5 lb	\$290.00

Dimensions

Rated Capacity	A	B	C	D	E	F	G	H	I
kg/mm									
50 to 635 kg	174.0	122.0	60.0	62.5	43.0	19.0	30.0	7.0	M8-6



Interchangeable Products

TRANSCELL®  
FAV

Specifications

**Full Scale Output:**

2 mV/V

**Output Resistance:**

350 (± 3) ohm

**Input Resistance:**

415 (± 15) ohm

**Material/Finish:**

Anodized aluminum

**Temperature:**

Operating:  
0 °F to 150 °F (-18 °C to 65 °C)

**Seal Type:**

Environmentally sealed, IP66

**Safe Overload:**

150% of rated output

**Rated Excitation:**

10 VAC (15 V maximum)

**Insulation Resistance:**

2,000 megohm

**Cable Length:**

1.5 m

**Cable Diameter:**

0.200 in  
PVC jacket

**Cable Color Code:**

Green +Excitation  
Black -Excitation  
Red +Signal  
White -Signal

**Max Platform Size:**

24 × 24 in

**Warranty:**

One-year limited

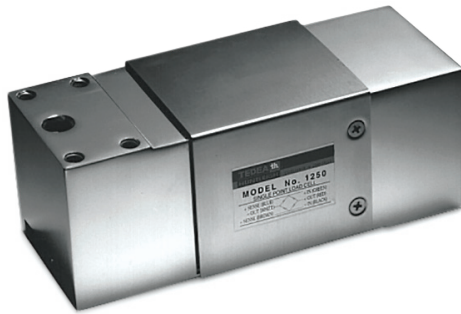
**Approvals:**

OIML  
Ex (Available upon request)

VPG®  
TEDEA-HUNTLEIGH®

# 1250

Aluminum, Environmentally Sealed, NTEP Certified 1:5,000 Class III Single Cell, Potted, IP67



Picture is a representation of actual product

### Approvals



Available upon request

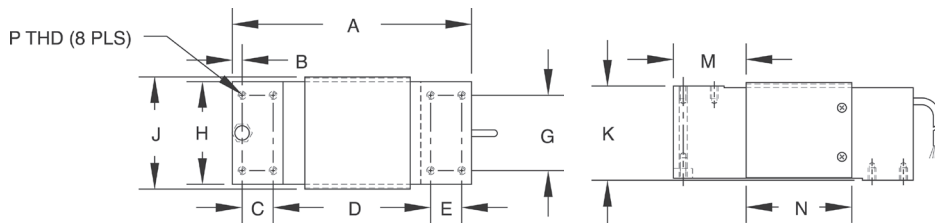
Available upon request

### Order Information

Load Rating	Part #	Est. Weight	Price
<b>NTEP Certified, 10 ft Cable</b>			
50 kg	17478	6 lb	\$365.00
75 kg	17469	6 lb	\$365.00
100 kg	33711	6 lb	\$365.00
150 kg	33712	6 lb	\$365.00
200 kg	33713	6 lb	\$365.00
250 kg	33714	6 lb	\$365.00
300 kg	33715	6 lb	\$365.00
500 kg	33716	6 lb	\$365.00
635 kg	33717	6 lb	\$365.00
1,000 kg	17480	6 lb	\$365.00
<b>Non-NTEP Certified, 25 ft Cable</b>			
50 kg	40944	6 lb	\$365.00
75 kg	40945	6 lb	\$365.00
100 kg	40946	6 lb	\$365.00
150 kg	32342	6 lb	\$365.00
200 kg	32341	6 lb	\$365.00
250 kg	40947	6 lb	\$365.00
300 kg	32340	6 lb	\$365.00

### Dimensions

Rated Capacity	A	B	C	D	E	G	H	J	K	M	N	P
kg/mm												
50 to 1,000	191.0	11.0	25.0	125.0	25.0	60.0	75.0	82.0	75.0	57.5	85.0	5/16-18 UNC x 15 DP



### Interchangeable Products

RICE LAKE WEIGHING SYSTEMS  
**RL1218A**..... page 170

RICE LAKE WEIGHING SYSTEMS  
**RL1250**

FLINTEC®

**PCB\***..... page 214

TRANSCELL®

**FAY**

\*Stainless steel, hermetically sealed

### Specifications

**Full Scale Output:**  
2.0 mV/V

**Bridge Resistance:**  
350 ohm, nominal

**Material/Finish:**  
Anodized aluminum

**Temperature:**  
Compensated:  
14 °F to 104 °F (-10 °C to 40 °C)  
Operating:  
0 °F to 150 °F (-18 °C to 65 °C)

**Seal Type:**  
Environmentally sealed, IP67

**Safe Overload:**  
150% of full scale at center loading point

**Safe Overload:**  
150% of full scale at center loading point

**Rated Excitation:**  
5 to 10 VDC (15 V maximum)

**Combined Error:**  
0.02% full scale

**Insulation Resistance:**  
2,000 megohm

**Deflection at Capacity:**  
0.015 in

**Cable Length:**  
10 ft  
25 ft

**Cable Diameter:**  
0.200 in  
PVC jacket

**Cable Color Code:**  
Green +Excitation  
Black -Excitation  
Red +Signal  
White -Signal  
Blue +Sense  
Brown -Sense

**Max Platform Size:**  
50 to 500 kg: 800 × 800 mm  
635 to 1,000 kg: 600 × 600 mm

**Warranty:**  
One-year limited

**Approvals:**  
cFMus  
NTEP  
Ex (Available upon request)  
OIML (Available upon request)



Picture is a representation of actual product

Approvals



Available upon request

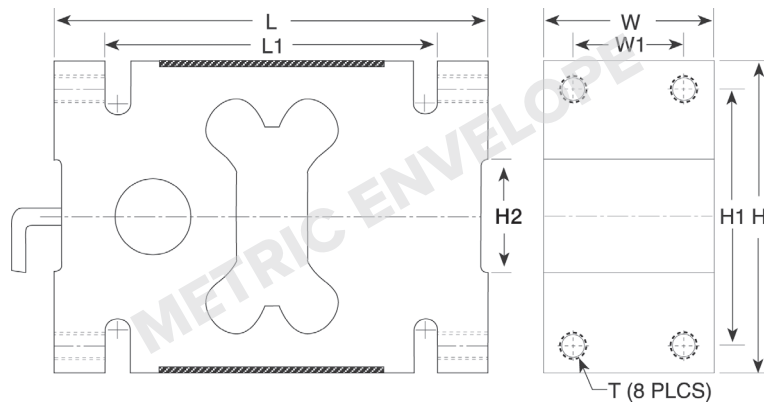
Available upon request

Order Information

Load Rating	Part #	Est. Weight	Price
1,000 kg	29908	9 lb	\$556.00
1,500 kg	29909	9 lb	\$556.00
2,000 kg	29910	9 lb	\$556.00

Dimensions

Rated Capacity	H	H1	H2	L	L1	T	W	W1
kg/mm								
1,000 to 2,000	126.0	95.0	45.0	176.0	135.0	M16 x 2-6H	76.0	46.0



Specifications

Full Scale Output:

2.0 mV/V

Output Resistance:

350 (± 3) ohm

Input Resistance:

415 (± 15) ohm

Material/Finish:

Aluminum alloy

Temperature:

Compensated:

14 °F to 104 °F (-10 °C to 40 °C)

Operating:

0 °F to 150 °F (-18 °C to 65 °C)

Seal Type:

Environmentally sealed, IP66

Safe Overload:

150% full scale

Rated Excitation:

5 to 10 VDC (15 V maximum)

Combined Error:

0.02% full scale

Insulation Resistance:

2,000 megohm

Deflection at Capacity:

0.015 in

Cable Length:

5 m

Cable Diameter:

0.220 in

Polyurethane jacket

Cable Color Code:

Green +Excitation

Black -Excitation

Red +Signal

White -Signal

Blue +Sense

Brown -Sense

Max Platform Size:

4 x 4 ft

Warranty:

One-year limited

Approvals:

cFMus

NTEP

Ex (Available upon request)

OIML (Available upon request)

VPG®  
TEDEA-HUNTLEIGH®

# 1510

Stainless Steel, Welded Seal, NTEP Certified 1:5,000, OIML C3, IP68



Picture is a representation of actual product

### Approvals

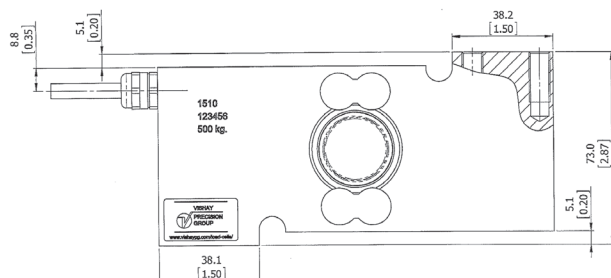
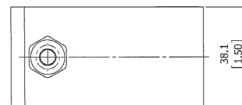
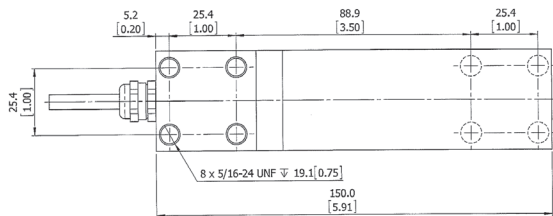
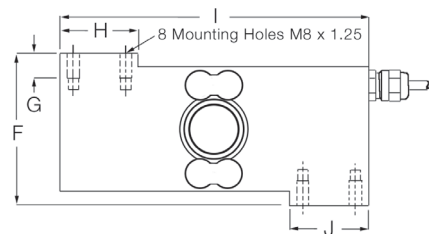
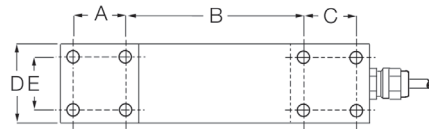


### Order Information

Load Rating	Part #	Est. Weight	Price
<b>OIML</b>			
100 kg	65851	6 lb	\$842.00
250 kg	65852	6 lb	\$842.00
500 kg	65853	6 lb	\$842.00
<b>NTEP Certified</b>			
500 kg	167585	6 lb	\$842.00

### Dimensions

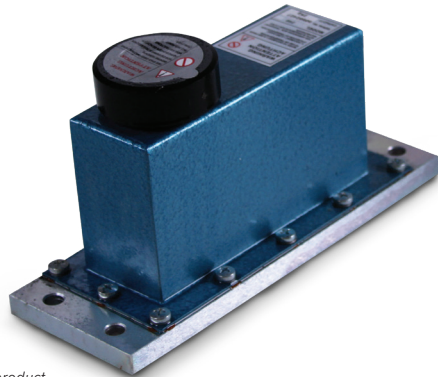
Rated Capacity	A	B	C	D	E	F	G	H	I	J
kg/mm										
100 to 500	25.4	86.3	25.4	38.1	25.4	72.8	11.9	38.1	149.9	38.1



### Specifications

- Full Scale Output:**  
2.0 mV/V
- Output Resistance:**  
350 (± 3) ohm
- Input Resistance:**  
380 (± 10) ohm
- Material/Finish:**  
Stainless steel
- Temperature:**  
Compensated:  
14 °F to 104 °F (-10 °C to 40 °C)  
Operating:  
0 °F to 150 °F (-18 °C to 65 °C)
- Seal Type:**  
Welded-seal, IP68
- Safe Overload:**  
150% at center loading point, full scale
- Rated Excitation:**  
5 to 10 VDC (15 V maximum)
- Combined Error:**  
0.020% full scale
- Insulation Resistance:**  
2,000 megohm
- Cable Length:**  
10 ft
- Cable Diameter:**  
0.220 in  
Polyurethane jacket
- Cable Color Code:**  
Green +Excitation  
Black -Excitation  
Red +Signal  
White -Signal  
Blue +Sense  
Brown -Sense
- Max Platform Size:**  
23.62 × 23.62 in
- Warranty:**  
One-year limited
- Approvals:**  
cFMus  
OIML  
NTEP

TEDEA-HUNTLEIGH® VPC®



Picture is a representation of actual product

Approvals



Available upon request

Order Information

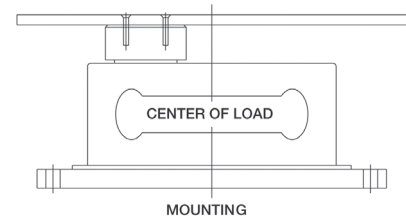
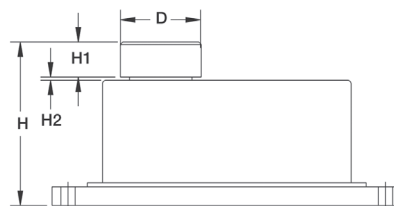
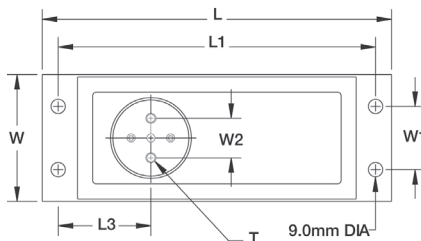
Load Rating	Part #	Est. Weight	Price
<b>Stainless Steel</b>			
2 kg*	17567	8 lb	\$875.00
5 kg	17568	8 lb	\$875.00
7 kg	17569	8 lb	\$875.00
10 kg	17570	8 lb	\$875.00
15 kg	17571	8 lb	\$875.00
20 kg	17572	8 lb	\$875.00
30 kg	17573	8 lb	\$875.00
50 kg	17574	8 lb	\$875.00
<b>Alloy Steel</b>			
2 kg*	17559	8 lb	\$768.00
5 kg	17560	8 lb	\$768.00
7 kg	17561	8 lb	\$768.00
10 kg	17562	8 lb	\$768.00
15 kg	17563	8 lb	\$768.00
20 kg	17564	8 lb	\$768.00
30 kg	17565	8 lb	\$768.00
50 kg	17566	8 lb	\$768.00

\*Non-NTEP Certified

Note: The special fluid damped operation is particularly well-suited for applications where quick weighing is required, e.g., checkweighers

Dimensions

Rated Capacity	D	H	H1	H2	L	L1	L3	T	W	W1	W2
kg/mm											
2 to 50	50 dia	115.0	21.0	2.0	220.0	200.0	58.5	1/4-20 UNC x 10 DP	80.0	40.0	25.0



Interchangeable Products

RICE LAKE WEIGHING SYSTEMS®  
**RL260FD\*** .....page 168

\*3000d NTEP, 16.4 ft cable

Specifications

**Full Scale Output:**

2.0 mV/V

**Output Resistance:**

350 (± 3) ohm

**Input Resistance:**

415 (± 15) ohm

**Material/Finish:**

Anodized aluminum in alloy steel or stainless steel

**Temperature:**

Compensated:

14 °F to 104 °F (-10 °C to 40 °C)

Operating:

0 °F to 150 °F (-18 °C to 65 °C)

**Seal Type:**

Environmentally sealed, IP66

**Safe Overload:**

150% at center loading point, full scale

**Rated Excitation:**

5 to 10 VDC (15 V maximum)

**Combined Error:**

0.025% full scale

**Insulation Resistance:**

2,000 megohm

**Cable Length:**

10 ft

**Cable Diameter:**

0.370 in

PVC jacket

**Cable Color Code:**

Green +Excitation

Black -Excitation

Red +Signal

White -Signal

Blue +Sense

Brown -Sense

**Warranty:**

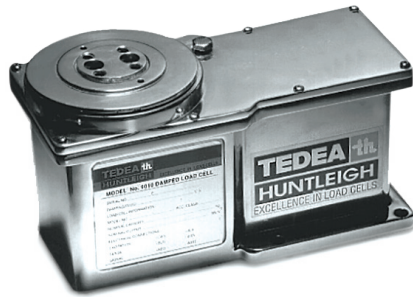
One-year limited

**Approvals:**

NTEP

OIML (Available upon request)

VPG®  
 TEDEA-HUNTLEIGH®



Picture is a representation of actual product

### Approvals



### Order Information

Load Rating	Part #	Est. Weight	Price
3 kg	Consult	7 lb	\$950.00
5 kg	Consult	7 lb	\$950.00
7 kg	Consult	7 lb	\$950.00
10 kg	Consult	7 lb	\$950.00
15 kg	Consult	7 lb	\$950.00
20 kg	Consult	7 lb	\$950.00
30 kg	Consult	7 lb	\$950.00
50 kg	Consult	7 lb	\$950.00

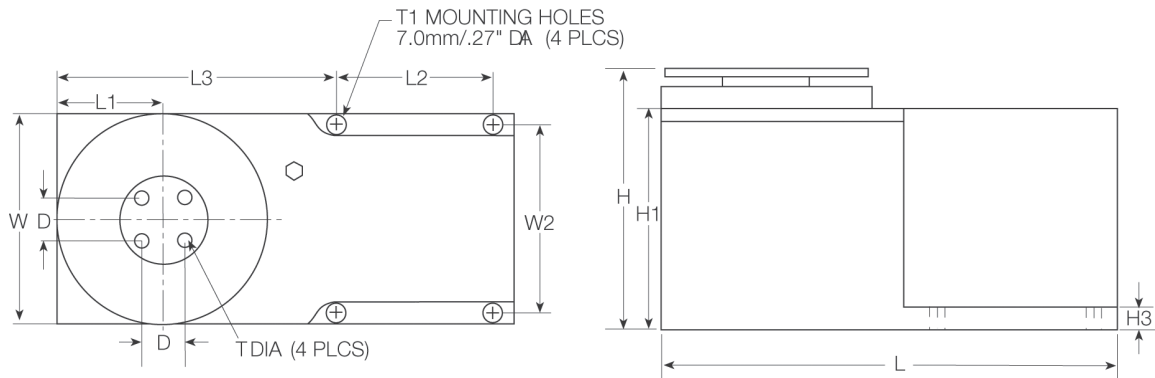
Note: The special fluid damped operation is particularly well-suited for applications where quick weighment is required, e.g., checkweighers

9010 load cells are custom-manufactured per specific application requirements; use the Application Definition Form on page 327 of this section as well as online at [www.ricelake.com/questionnaires](http://www.ricelake.com/questionnaires) to define your applications

Available in stainless steel with breather vent option for washdown applications

### Dimensions

Rated Capacity	D	H	H1	H3	L	L1	L2	L3	T	W	W2
kg/mm											
3 to 50	19.1	115.2	97.3	10.0	199.5	46.0	71.5	119.8	1/4-20 UNC x 20 DP	92.0	82.0



### Specifications

- Full Scale Output:**  
2.0 mV/V
- Output Resistance:**  
350 (± 5) ohm
- Input Resistance:**  
415 (± 15) ohm
- Material/Finish:**  
Aluminum
- Temperature:**  
Operating:  
0 °F to 150 °F (-18 °C to 65 °C)
- Seal Type:**  
Environmentally sealed, IP65
- Safe Overload:**  
800% full scale downward,  
400% full scale upward
- Rated Excitation:**  
15 VDC (15 V maximum)
- Combined Error:**  
0.03% full scale
- Insulation Resistance:**  
5,000 megohm
- Cable Length:**  
3 ft
- Cable Diameter:**  
0.370 in  
PVC jacket
- Cable Color Code:**  
Green +Excitation  
Black -Excitation  
Red +Signal  
White -Signal  
Blue +Sense  
Brown -Sense
- Warranty:**  
One-year limited
- Approvals:**  
cFMus



# VPG Tedeo-Huntleigh Model 9010 Application

## SELF-CONTAINED WEIGHING MODULE

Application and order data to be completed by customer

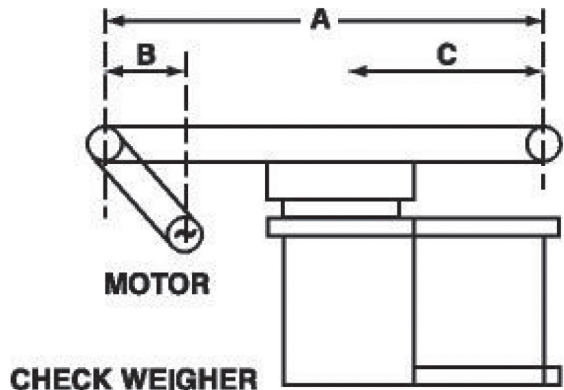
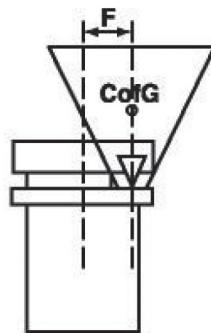
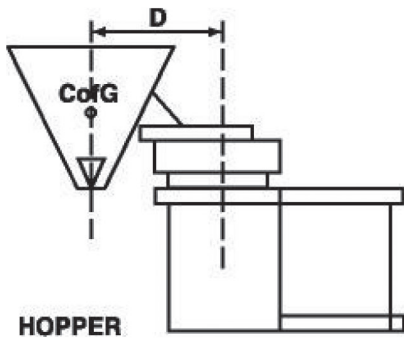
Customer's Name: \_\_\_\_\_ Order No.: \_\_\_\_\_  
 Contact Person: \_\_\_\_\_ Date (DD/MM/YYYY): \_\_\_\_\_  
 Application: \_\_\_\_\_ No. of Units: \_\_\_\_\_  
 Total Tare Weight (Dead Load): \_\_\_\_\_ kg; For Each Unit: \_\_\_\_\_ kg  
 Total Useful Weight (Live Load): \_\_\_\_\_ kg; For Each Unit: \_\_\_\_\_ kg  
 Describe Live Load (Powder, Fruit, Screws, etc.): \_\_\_\_\_  
 Required Settling Time: \_\_\_\_\_ msec; Accuracy: \_\_\_\_\_  
 Operating Temperature Range °C: \_\_\_\_\_  
 Mounting Threads: \_\_\_\_\_ mm (6 x 1) \_\_\_\_\_ inch (1/4 UNC)  
 Housing Material:  Stainless Steel  Aluminum  
 Preferred Load Cell, if any: \_\_\_\_\_

**1. Checkweigher (See sketch below)**  
 Size of Conveyor Platform: \_\_\_\_\_  
 Width \_\_\_\_\_ cm; A \_\_\_\_\_ cm; B \_\_\_\_\_ cm; C \_\_\_\_\_ cm  
 Speed of Belt: \_\_\_\_\_ cm/sec; Size of Weighed Product in Movement Direction: \_\_\_\_\_ cm  
 Tare Weight Distribution: Conveyor: \_\_\_\_\_ kg; Motor: \_\_\_\_\_ kg

**2. Hopper or Other Application (See Sketch Below)**  
 Center of Gravity (CofG) of Dead Load (Estimate if Necessary): D \_\_\_\_\_ cm; F \_\_\_\_\_ cm  
 Loading Position: D \_\_\_\_\_ cm; F \_\_\_\_\_ cm; Drop Height: \_\_\_\_\_ cm  
 If Load CofG varies, max dist. between extremes: \_\_\_\_\_ cm

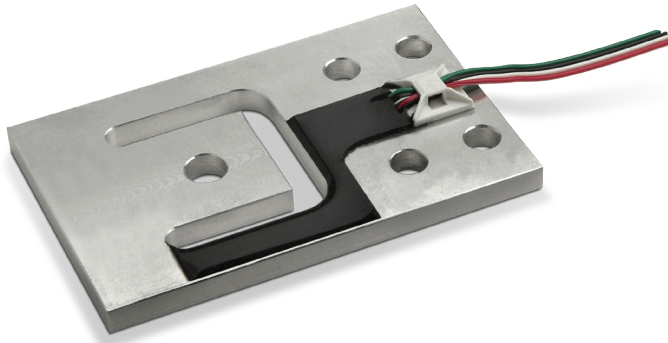
### Special Requirements

Cable length if not standard (1m): \_\_\_\_\_; Delivery Requested: \_\_\_\_\_  
 Corners Accuracy: Test Weight (Max. allowed 1/3 of Load Cell Capacity): \_\_\_\_\_ kg  
 Distance from center: \_\_\_\_\_ cm (Variation allowed)



# 380

Aluminum, Environmentally Sealed, NTEP Certified 1:4,000 III Single Cell / 1:5,000 III Multiple Cell, IP65



Picture is a representation of actual product

### Approvals



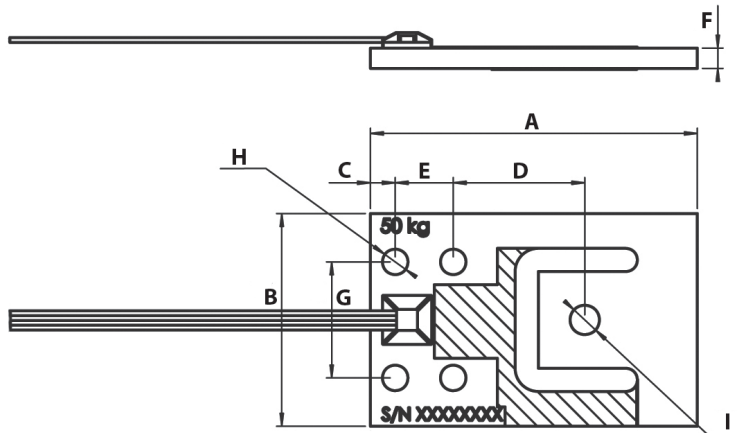
Available upon request

### Order Information

Load Rating	Part #	Est. Weight	Price
7.5 kg	112921	1 lb	\$80.00
15 kg	186687	1 lb	\$85.00
37.5 kg	112922	1 lb	\$85.00
50 kg	112923	1 lb	\$90.00
75 kg	112924	1 lb	\$90.00
150 kg	112925	1 lb	\$106.00

### Dimensions

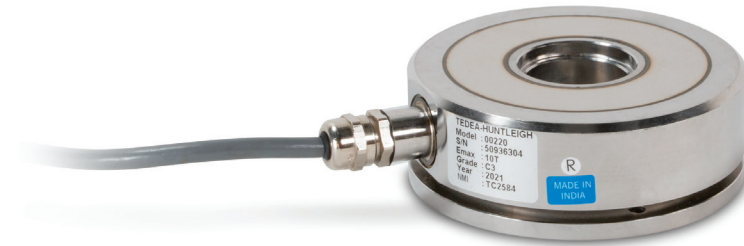
Rated Capacity	A	B	C	D	E	F	G	H	I
kg/mm									
7.5	70.0	39.0	4.9	28.0	14.0	2.5	27.8	5.1	5.1
15.0	70.0	39.0	4.9	28.0	14.0	4.1	27.8	5.1	5.1
37.5	76.2	44.5	6.0	29.3	15.0	4.8	30.0	6.6	6.2
50.0	84.5	55.0	6.4	34.0	15.0	5.3	30.0	6.6	7.6
75.0	84.5	55.0	6.4	34.0	15.0	6.4	30.0	6.6	7.6
150.0	107.5	70.0	7.8	45.9	22.8	8.0	44.5	8.1	8.2



### Specifications

- Full Scale Output:**  
1.0 mV/V
- Output Resistance:**  
1,000 (± 10) ohm
- Input Resistance:**  
1,160 (± 15) ohm
- Material/Finish:**  
Aluminum
- Temperature:**  
Compensated:  
14 °F to 104 °F (-10 °C to 40 °C)  
Operating:  
0 °F to 150 °F (-18 °C to 65 °C)
- Seal Type:**  
Environmentally sealed, IP65
- Safe Overload:**  
150% full scale
- Rated Excitation:**  
5 to 10 VDC
- Insulation Resistance:**  
5,000 megohm
- Cable Length:**  
1.5 m flat ribbon type, PVC
- Cable Color Code:**  
Green +Excitation  
Black -Excitation  
Red +Signal  
White -Signal
- Warranty:**  
One-year limited
- Approvals:**  
NTEP  
OIML (available upon request)

TEDEA-HUNTLEIGH® VPC®



Picture is a representation of actual product

Approvals

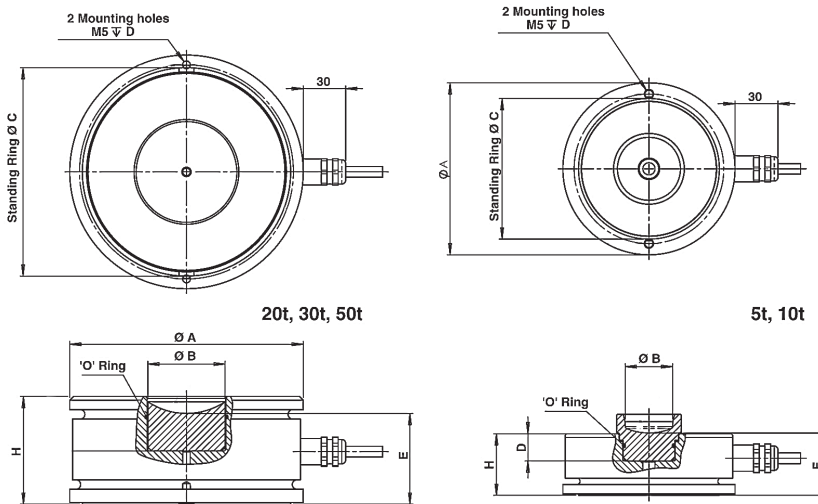


Order Information

Load Rating	Part #	Est. Weight	Price
5,000 kg	65854	3 lb	\$1,266.00
10,000 kg	65855	5 lb	\$1,372.00
20,000 kg	65856	8 lb	\$1,372.00
30,000 kg	65857	8 lb	\$1,372.00

Dimensions

Rated Capacity	A	B	C	D	E	H
kg/mm						
5,000	80.0	19.0	70.0	20.0	33.4	30.0
10,000	92.0	28.0	80.0	14.6	33.4	33.0
20,000 to 30,000	110.0	29.0	101.5	26.3	39.0	50.0



Interchangeable Products

AVERY WEIGH-TRONIX®  
220

Weigh Module Available

RICE LAKE WEIGHING SYSTEMS  
220.....page 47

Specifications

- Full Scale Output:**  
2.0 mV/V
- Output Resistance:**  
1,025 (± 20) ohm
- Input Resistance:**  
1,065 (± 60) ohm
- Material/Finish:**  
Stainless steel
- Temperature:**  
Compensated:  
14 °F to 104 °F (-10 °C to 40 °C)  
Operating:  
0 °F to 150 °F (-18 °C to 65 °C)
- Seal Type:**  
Hermetically sealed, IP68
- Safe Overload:**  
150% at center loading point, full scale
- Rated Excitation:**  
5 to 10 VDC (15 V maximum)
- Combined Error:**  
0.020% full scale
- Insulation Resistance:**  
2,000 megohm
- Deflection at Capacity:**  
< 0.5 mm at full scale
- Cable Length:**  
5,000 kg: 5 m  
10,000 to 20,000 kg: 10 m  
30,000 kg: 20 m
- Cable Diameter:**  
0.220 in  
Polyurethane jacket
- Cable Color Code:**  
Blue +Excitation  
Black -Excitation  
White +Signal  
Red -Signal  
Green +Sense  
Gray -Sense
- Warranty:**  
One-year limited
- Approvals:**  
cFMus  
OIML

VPG®  
TEDEA-HUNTLEIGH®

# 120

Stainless Steel, Environmentally Sealed, IP68



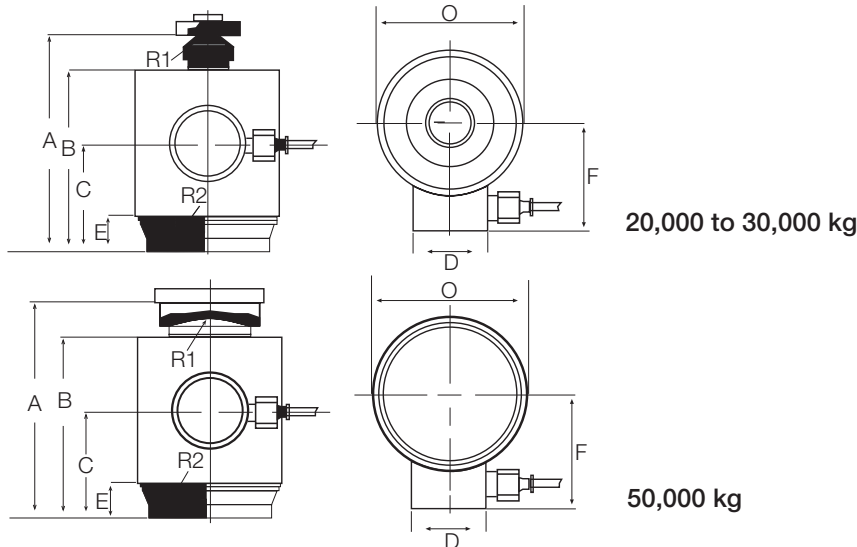
Picture is a representation of actual product

## Order Information

Load Rating	Part #	Est. Weight	Price
20,000 kg	169233	10 lb	\$662.00
30,000 kg	169234	10 lb	\$662.00
50,000 kg	169235	13 lb	\$662.00

## Dimensions

Rated Capacity	A	B	C	D	E	F	O	R1	R2
kg/mm									
20,000	138.3	112.3	72.3	50.0	32.3	69.0	88.0	15.0	150.0
30,000	138.3	112.3	72.3	50.0	32.3	69.0	88.0	15.0	150.0
50,000	155.5	115.8	74.0	50.0	32.3	69.0	88.0	35.0	300.0



## Specifications

- Full Scale Output:**  
1.5 mV/V
- Output Resistance:**  
605 (± 5) ohm
- Input Resistance:**  
670 (± 15) ohm
- Material/Finish:**  
Stainless steel
- Temperature:**  
Operating:  
-0 °F to 150 °F (-18 °C to 65 °C)
- Seal Type:**  
Environmentally sealed, IP68
- Safe Overload:**  
150% full scale
- Rated Excitation:**  
5 to 10 VDC
- Combined Error:**  
0.02% of applied load
- Insulation Resistance:**  
2,000 megohm
- Cable Length:**  
15 m
- Cable Color Code:**  
Green +Excitation  
Black -Excitation  
Red +Signal  
White -Signal  
Blue +Sense  
Brown -Sense
- Warranty:**  
One-year limited

TEDEA-HUNTLEIGH®

VPC®

# Hardware and Accessories

## TABLE OF CONTENTS

Load Cell Mounting Hardware Safety Guidelines.....	332	RoughDeck® Scale Base .....	346	Electronic Scale Tickets.....	357
Mounting Assembly Component Identification.....	333	Summit® 3000 Scale Base.....	346	Mechanical Scale Tickets .....	358
Jam Nuts .....	333	Floor Scale Base .....	346	<i>Create Your Own Custom Ticket</i>	
Eye Nuts.....	334	Complete Custom Cable Services .....	347	Printer Dust Covers.....	358
Clevis Mount Assemblies .....	334	EL147, 6 Wire .....	348	Printer Cables .....	359
Coupling Nuts .....	334	<i>Standard Load Cell Cable</i>		Static Brushes .....	360
Load Cell Eye Bolts .....	335	EL147RP Plus, 6 Wire .....	348	Ionizing Strips.....	360
Rod End Ball Joints.....	336	<i>Rodent Protection Load Cell Cable</i>		Desiccants .....	360
Connecting Links.....	336	EL147HE, 6 Wire .....	349	Crimper and Lead Seals.....	360
Load Cell Isolators.....	337	<i>Hostile Environment Load Cell Cable</i>		Ionizing Strip Accessories .....	360
Threaded Adapters.....	337	EL147IS, 6 Wire.....	349	Industrial Corrosion Inhibitor.....	360
ITCM Hardware Kits.....	338	<i>Hazardous Environment Blue Jacket Load Cell Cable</i>		Static Control Table Mat and Floor Mat .....	361
Grounding Strap.....	339	EL146, 4 Wire .....	350	Static Control Wrist Strap.....	361
Ball Bearings.....	339	<i>Standard Load Cell Cable</i>		Static Shielding Bags .....	361
Load Receiver Plate.....	339	EL146HE, 4 Wire .....	350	Static-Safe Service Kit.....	361
Load Cups.....	339	<i>Hostile Environment Load Cell Cable</i>		Rice Lake's Scale Technician Kits.....	362
Wire Rope Assemblies .....	340	Fiber-Optic Cable.....	351		
Cardinal® Wire Rope Assemblies .....	340	EL144 Communications Cable .....	351		
Custom Wire Ropes .....	340	BCD Cable .....	351		
Custom Wire Rope Definition Form.....	341	SURVIVOR® EL620HE .....	352		
Spherical Washer Sets.....	342	<i>High Temperature Cable</i>			
Load Cell Spacers.....	342	EL148HE Mettler Toledo® .....	352		
Load Button.....	342	<i>Replacement Power Cell Cable</i>			
Weldless End Links.....	342	SURVIVOR® Cable Armor.....	352		
Load Button Insert Kit .....	343	Mettler Toledo® Power Cell® .....	352		
Flintec® Adjustable Rubber Foot .....	343	<i>Homerun Cable</i>			
Bench Scale Feet .....	343	Cord Grip Assemblies .....	353		
Surefoot™ .....	343	EL214 Cable Splicing Kit.....	353		
Polyurethane Rubber Leveling Feet.....	344	Load Cell Conduit Adapters .....	353		
Captured Ball Floor Scale Leveling Feet.....	344	EL214T Cable Splicing Kit .....	354		
Leveling Mount.....	345	EL215 Cable Splicing Kit.....	354		
Leveling Pads.....	345	Flintec® Load Cell Cable .....	354		
Leveling Pad Stems .....	345	<i>Replacement Kits</i>			
		Five-Position Connectors, Shell Plugs, Receptacles .....	355		
		Seven-Position Connectors, Shell Plugs, Receptacles .....	355		
		Six-Position Connectors, Shell Plugs, Receptacles .....	355		
		T-Grip Molding .....	356		
		T-Strip Molding .....	356		

The following product names, logos, brands and other trademarks featured or referred to within this publication are the property of their respective trademark holders.

# Load Cell Mounting Hardware Safety Guidelines

Install only load cell mounting hardware and assemblies that have been specifically designed for use in tank, hopper or hanging scale applications. Often, the use of an inferior-grade product results in component failure which risks equipment damage and personal injury. These simple suggestions are provided to help minimize your exposure to vessel scale installation hazards.

## 1. Estimating Gross Load

To select the correct load cell or load cell hardware for a given application, it is necessary to know the total weight on the scale—including net weight of product, tare weight of the vessel and weight of the platform, tank or hopper, as appropriate.

## 2. Safe Load

Do not exceed safe load figures listed in Rice Lake Weighing Systems' catalog for any load cell hardware. Where shock loads are present, it may be necessary to derate these safe load figures depending on severity of the shock load.

## 3. Load Distribution

In multiple-load-cell applications, weight must be evenly distributed between all cells.

## 4. Threaded Connections

Check that all threaded connections are engaged. For example, an eye bolt screwed into an s-type load cell should protrude slightly on the opposite side.

## 5. Jam Nuts

All threaded connections must be locked with jam nuts to prevent inadvertent disassembly. If a load is suspended from a single load cell, it is critical that the load cannot rotate as this may loosen the jam nut.

## 6. Wire Rope Assemblies

With wire rope assemblies, do not twist the rope during assembly or disassembly. For example, do not remove a frozen nut from one end of a rope assembly by holding the opposite end.

## 7. Attachment Points of a Load Cell

The attachment points of a load cell hardware assembly must be aligned properly and the assembly should be essentially vertical.

## 8. Swaying in a Suspended Vessel Scale

If there is excessive swaying in a suspended vessel scale, apply horizontal checking to reduce amplitude.

## 9. Safety Backup

If failure of one or more load cell hardware assemblies could cause injury or damage, a safety backup (safety chains, safety rods, etc.) must be used. The assemblies should be inspected routinely for damage, excessive wear or corrosion and replaced if necessary.

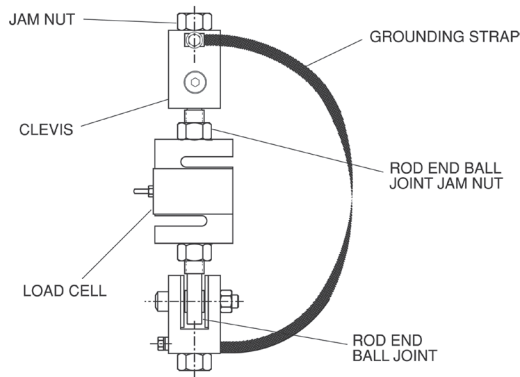
## 10. Hopper Scales: Guarding Against Contamination

With hopper scales, guard against contamination of the product being weighed in case of failure of the load cell or hardware assembly. For example, do not locate a wire rope assembly over a hopper scale where broken strands of wire could fall into the weighing vessel, contaminating the product being weighed.

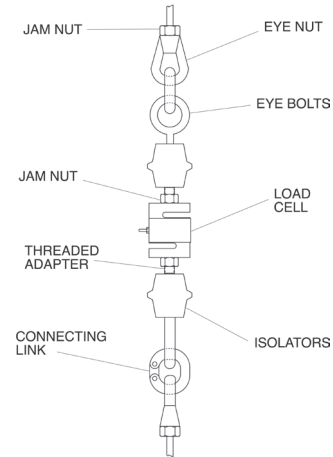
## 11. Selecting Steel Rod or Any Other Weight-bearing Components

Select steel rod or any other weight-bearing components so the minimum tensile strength is at least four times the total weight carried by that component. Note that threaded rod is generally made from a low tensile-strength mild steel which should be checked for tensile strength before use in any suspended vessel scale.

# Mounting Assembly Component Identification



ITCM Isolated Tension Cell Mounting Assembly



Conventional Tension Mounting Assembly

Our popular Isolated Tension Cell Mounting (ITCM) assembly and other conventional suspended weighing system assemblies employ a variety of serviceable hardware components. Rice Lake Weighing Systems offers a comprehensive selection of these items for all of your suspended vessel service needs. These drawings are designed to enable you to quickly identify and differentiate components from both of these common designs. All corresponding replacement hardware is located on the following pages.

## Jam Nuts



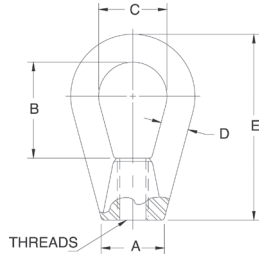
### Standard Features

- Coarse or fine thread
- Zinc-plated mild steel or stainless steel

Thread Size	Part #	Price
<b>Mild Steel, Fine Thread</b>		
1/4-28 UNF	14639	\$1.00
3/8-24 UNF	14651	\$1.00
1/2-20 UNF	14664	\$1.60
3/4-16 UNF	14687	\$1.60
1-12 UNF	14702	\$5.99
1-14 UNF	14703	\$4.90
1 1/4-12 UNF	14708	\$3.60
1 1/2-12 UNF	14711	\$4.90
<b>Mild Steel, Coarse Thread</b>		
1/4-20 UNC	14636	\$1.00
3/8-16 UNC	14649	\$2.25
1/2-13 UNC	14661	\$1.00
5/8-11 UNC	14676	\$2.50
3/4-10 UNC	14686	\$1.06
1-8 UNC	14701	\$1.20
1-1/4-7 UNC	14707	\$3.30

Thread Size	Part #	Price
<b>Stainless Steel, Fine Thread</b>		
1/4-28 UNF	14640	\$1.30
1/2-20 UNF	14665	\$1.80
3/4-16 UNF	14688	\$2.30
<b>Stainless Steel, Coarse Thread</b>		
3/8-16 UNC	14653	\$2.10
1/2-13 UNC	14662	\$1.85
5/8-11 UNC	14680	\$2.10
3/4-10 UNC	14690	\$2.25

# Eye Nuts



## Standard Features

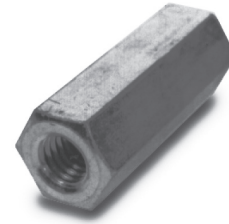
- Drop-forged steel, tapped NC right-hand threads

## Part Number/Price

Part #	A	B	C	D	E	Thread Size	Safe Load*	Price
17772	0.50 in	1.06 in	0.75 in	0.25 in	1.68 in	1/4-20 UNC	500 lb	\$48.00
17773	0.75 in	1.18 in	0.87 in	0.31 in	2.25 in	3/8-16 UNC	1,800 lb	\$32.00
17774	1.00 in	1.56 in	1.12 in	0.43 in	3.00 in	1/2-13 UNC	3,600 lb	\$48.00
17775	1.25 in	1.93 in	1.37 in	0.56 in	3.75 in	5/8-11 UNC	5,800 lb	\$53.00

\*Do not exceed the safe load

# Coupling Nuts



## Standard Features

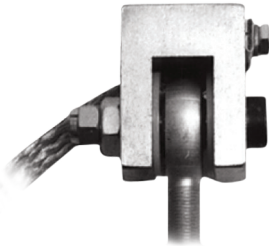
- Heavy hex

## Part Number/Price

Part #	Thread Size	Length	Flat	Safe Load*	Price
14638	1/4-20 UNC	1.75 in	0.44 in	500 lb	\$7.50
14650	3/8-16 UNC	1.75 in	0.62 in	1,500 lb	\$7.40
14663	1/2-13 UNC	1.75 in	0.87 in	3,000 lb	\$7.40
14681	5/8-11 UNC	2.12 in	1.06 in	7,500 lb	\$10.50
14691	3/4-10 UNC	2.25 in	1.25 in	10,000 lb	\$11.50

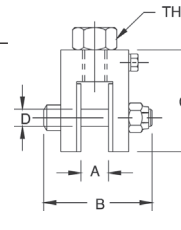
\*Do not exceed the safe load

# Clevis Mount Assemblies

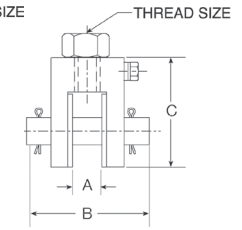


## Standard Features

- Mild steel or stainless steel
- Assembly used in the ITCM
- Adapts rod to rod-end ball joint
- Provides electrical isolation for load cell protection
- Elimination of unwanted side loads



Clevis Mount with bolt



Clevis Mount with pin

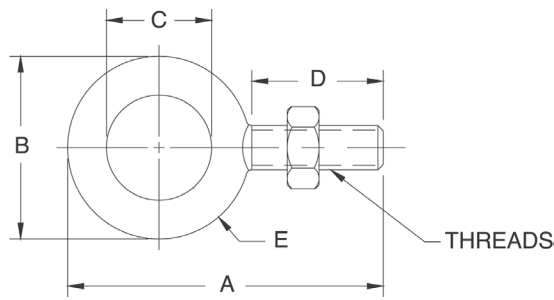
## Part Number/Price

Part #	A	B	C	D	Thread Size	Safe Load*	Price
<b>Mild Steel with Bolt</b>							
17792	0.52 in	2.38 in	1.94 in	0.38 in	3/8-16 UNC	300 lb	\$87.00
17793	0.52 in	2.38 in	1.94 in	0.38 in	1/2-13 UNC	300 lb	\$87.00
17783	0.39 in	1.81 in	1.69 in	0.25 in	1/2-13 UNC	500 lb	\$99.00
17784	0.65 in	2.68 in	2.31 in	0.50 in	3/4-10 UNC	4,000 lb	\$99.00
17785	0.78 in	3.37 in	3.00 in	0.62 in	1-8 UNC	10,000 lb	\$99.00
17786	0.39 in	1.81 in	1.69 in	0.25 in	3/8-16 UNC	500 lb	\$94.00
17787	0.65 in	2.68 in	2.31 in	0.50 in	1/2-13 UNC	2,000 lb	\$99.00
17788	0.65 in	2.68 in	2.31 in	0.50 in	5/8-11 UNC	2,500 lb	\$99.00
17789	0.78 in	3.37 in	3.00 in	0.62 in	3/4-10 UNC	5,000 lb	\$99.00
<b>Mild Steel with Pin</b>							
17790	1.39 in	4.12 in	4.50 in	1.00 in	1 1/4-7 UNC	15,000 lb	\$367.00
17791	1.22 in	4.12 in	5.00 in	1.25 in	1 1/2-6 UNC	20,000 lb	\$367.00
<b>Stainless Steel with Pin</b>							
33644	0.52 in	2.38 in	1.94 in	0.38 in	1/2-13 UNC	300 lb	\$192.00
33643	0.39 in	1.81 in	1.69 in	0.25 in	1/2-13 UNC	500 lb	\$192.00
33641	0.39 in	1.81 in	1.69 in	0.25 in	3/8-16 UNC	500 lb	\$192.00
33658	0.52 in	2.38 in	1.94 in	0.38 in	3/8-16 UNC	500 lb	\$192.00
33642	0.65 in	2.68 in	2.31 in	0.50 in	3/4-10 UNC	4,000 lb	\$250.00
33640	0.65 in	2.68 in	2.31 in	0.50 in	1/2-13 UNC	2,000 lb	\$250.00
33639	0.65 in	2.68 in	2.31 in	0.50 in	5/8-11 UNC	2,500 lb	\$250.00
33638	0.78 in	3.37 in	3.00 in	0.62 in	3/4-10 UNC	5,000 lb	\$250.00

\*Do not exceed the safe load



# Load Cell Eye Bolts



## Standard Features

- Mild steel
- One jam nut included with each eye bolt

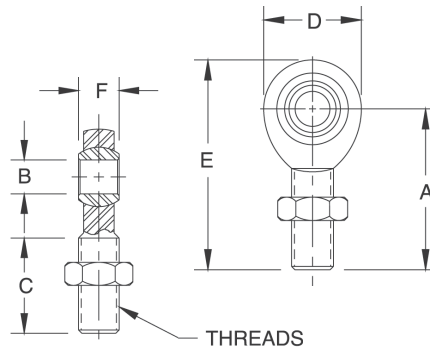
## Part Number/Price

Part #	A	B	C	D	E	Thread Size	Safe Load*	Price
<b>Mild Steel</b>								
17705	2.25 in	1.25 in	0.75 in	1.00 in	0.25 in	1/4-28 UNF	500 lb	\$26.50
17707	2.91 in	1.66 in	1.00 in	1.25 in	0.33 in	3/8-24 UNF	1,300 lb	\$26.50
17709	3.56 in	2.06 in	1.19 in	1.50 in	0.44 in	1/2-20 UNF	2,400 lb	\$28.50
17711	4.25 in	2.50 in	1.37 in	1.75 in	0.56 in	5/8-18 UNF	4,000 lb	\$34.00
17713	4.81 in	2.81 in	1.50 in	2.00 in	0.66 in	3/4-16 UNF	5,000 lb	\$74.00
17715	6.06 in	3.56 in	1.81 in	2.50 in	0.87 in	1-12 UNF	9,000 lb	\$117.00
17716	6.06 in	3.56 in	1.81 in	2.50 in	0.87 in	1-14 UNS	9,000 lb	\$117.00
17704	2.25 in	1.25 in	0.75 in	1.00 in	0.25 in	1/4-20 UNC	500 lb	\$23.00
17706	2.91 in	1.66 in	1.00 in	1.25 in	0.33 in	3/8-16 UNC	1,300 lb	\$25.00
17708	3.56 in	2.06 in	1.19 in	1.50 in	0.44 in	1/2-13 UNC	2,400 lb	\$25.00
17710	4.25 in	2.50 in	1.37 in	1.75 in	0.56 in	5/8-11 UNC	4,000 lb	\$38.00
17712	4.81 in	2.81 in	1.50 in	2.00 in	0.66 in	3/4-10 UNC	5,000 lb	\$58.00
17714	6.06 in	3.56 in	1.81 in	2.50 in	0.87 in	1-8 UNC	9,000 lb	\$59.00
17717	7.44 in	4.44 in	2.19 in	3.00 in	1.12 in	1 1/4-7 UNC	15,000 lb	\$169.00

\*Do not exceed the safe load

HARDWARE AND  
ACCESSORIES

# Rod End Ball Joints



## Standard Features

- Mild steel or stainless steel
- Used in the ITCM assembly
- One jam nut included with each rod end ball joint

## Part Number/Price

Part #	Safe Load*	Breaking Strength	PTFE Lined	Price
<b>Mild Steel</b>				
17746	975 lb	3,915 lb	YES	\$34.00
17734	1,200 lb	4,916 lb	NO	\$24.00
17736	4,000 lb	16,238 lb	NO	\$60.00
17738	7,000 lb	28,081 lb	NO	\$103.00
17735	2,000 lb	8,075 lb	NO	\$29.00
17737	3,250 lb	13,831 lb	NO	\$42.00
17739	500 lb	2,158 lb	YES	\$34.00
17740	4,000 lb	16,238 lb	YES	\$55.00
17741	10,000 lb	40,572 lb	YES	\$82.00
17742	10,500 lb	43,541 lb	NO	\$154.00
26007	15,000 lb	76,200 lb	YES	\$318.00
17747	19,000 lb	76,200 lb	YES	\$366.00
17743	20,000 lb	79,728 lb	NO	\$276.00
17744	24,000 lb	96,510 lb	NO	\$382.00
<b>Stainless Steel</b>				
33505	500 lb	2,158 lb	YES	\$148.00
33506	1,500 lb	7,362 lb	YES	\$148.00
33507	3,000 lb	16,238 lb	YES	\$159.00
33508	7,000 lb	40,572 lb	YES	\$366.00

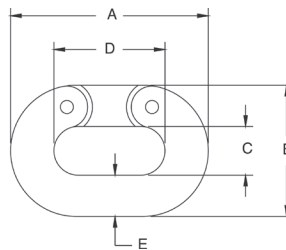
\*Do not exceed the safe load

## Dimensions

Part #	A	B	C	D	E	F	Thread Size
<b>Mild Steel</b>							
17746	1.94 in	0.37 in	1.25 in	1.00 in	2.43 in	0.50 in	3/8-24 UNF
17734	1.94 in	0.37 in	1.25 in	1.00 in	2.43 in	0.50 in	3/8-24 UNF
17736	2.44 in	0.50 in	1.50 in	1.31 in	3.09 in	0.62 in	1/2-20 UNF
17738	2.87 in	0.75 in	1.75 in	1.75 in	3.75 in	0.87 in	3/4-16 UNF
17735	2.44 in	0.50 in	1.50 in	1.31 in	3.09 in	0.62 in	1/2-20 UNF
17737	2.87 in	0.75 in	1.75 in	1.75 in	3.75 in	0.87 in	3/4-16 UNF
17739	1.56 in	0.25 in	1.00 in	0.75 in	1.93 in	0.37 in	1/4-28 UNF
17740	2.44 in	0.50 in	1.50 in	1.31 in	3.09 in	0.62 in	1/2-20 UNF
17741	2.87 in	0.62 in	1.75 in	1.75 in	3.75 in	0.75 in	3/4-16 UNF
17742	4.12 in	1.00 in	2.12 in	2.75 in	5.50 in	1.37 in	1-12 UNF
26007	4.12 in	1.00 in	2.12 in	2.75 in	5.50 in	1.37 in	1-14 UNS
17747	4.12 in	1.00 in	2.12 in	2.75 in	5.50 in	1.37 in	1-12 UNF
17743	4.12 in	1.25 in	2.12 in	2.75 in	5.50 in	1.09 in	1 1/4-12 UNF
17744	5.37 in	1.50 in	3.00 in	3.50 in	7.12 in	1.31 in	1 1/2-12 UNF
<b>Stainless Steel</b>							
33506	1.94 in	0.37 in	1.25 in	1.00 in	2.43 in	0.50 in	3/8-24 UNF
33505	1.56 in	0.25 in	1.00 in	0.75 in	1.93 in	0.37 in	1/4-28 UNF
33507	2.44 in	0.50 in	1.50 in	1.31 in	3.09 in	0.62 in	1/2-20 UNF
33508	2.87 in	0.62 in	1.75 in	1.75 in	3.75 in	0.75 in	3/4-16 UNF

HARDWARE AND ACCESSORIES

# Connecting Links



## Standard Features

- Drop-forged carbon steel, heat-treated, hot-dipped galvanized finish

## Part Number/Price

Part #	A	B	C	D	E	Safe Load*	Price
17794	1.50 in	1.00 in	0.43 in	0.87 in	0.25 in	1,325 lb	\$42.00
17795	2.06 in	1.37 in	0.56 in	1.12 in	0.37 in	2,750 lb	\$45.00
17796	2.65 in	1.71 in	0.65 in	1.46 in	0.50 in	4,750 lb	\$45.00
17797	3.31 in	2.09 in	0.78 in	1.81 in	0.62 in	7,250 lb	\$55.00
17798	3.87 in	2.50 in	0.93 in	2.12 in	0.75 in	10,250 lb	\$74.00
17799	5.00 in	3.31 in	1.25 in	2.75 in	1.00 in	15,500 lb	\$127.00

\*Do not exceed the safe load

# Load Cell Isolators



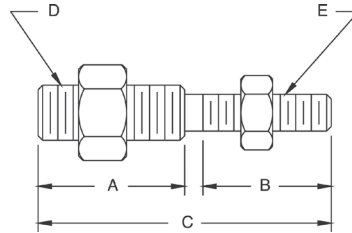
Power surges such as those caused by welding or electrical shorts frequently damage load cells and indicators. To prevent such damage, these isolators electrically separate the mechanical assembly from its tension-type load cell.

## Part Number/Price

Part #	Height Thread Size	Diameter	Safe Load*	Price
17722	3/8-16 UNC	2.50 in	600 lb	\$48.00
17724	1/2-13 UNC	2.50 in	600 lb	\$53.00
17726	1/2-20 UNF	2.50 in	600 lb	\$90.00
17725	1/2-13 UNC	2.00 in	3,000 lb	\$127.00
17723	3/8-24 UNF	2.50 in	600 lb	\$95.00
17728	1/2-13 UNC × 1/2-20 UNF	2.50 in	600 lb	\$69.00
17732	1/4-20 UNC	1.12 in	250 lb	\$53.00

\*Do not exceed the safe load

# Threaded Adapters



## Standard Features

- For coupling isolators with load cells and steelyard rods
- Supplied with jam nuts
- Stainless steel

HARDWARE AND ACCESSORIES

## Part Number/Price

Part #	A	B	C	D	E	Safe Load*	Price
33561	-	-	2.00 in	1/4-28 UNF	1/4-28 UNF	300 lb	\$29.00
33562	0.94 in	0.94 in	2.00 in	1/4-28 UNF	1/4-20 UNC	300 lb	\$32.00
33563	0.92 in	1.02 in	2.06 in	1/4-28 UNF	3/8-24 UNF	300 lb	\$37.00
33564	0.94 in	0.94 in	2.00 in	1/4-28 UNF	3/8-16 UNC	300 lb	\$29.00
33565	1.06 in	1.06 in	2.25 in	1/4-20 UNC	3/8-16 UNC	300 lb	\$32.00
33567	1.06 in	1.06 in	2.25 in	1/4-28 UNF	1/2-13 UNC	300 lb	\$32.00
33568	-	-	2.00 in	3/8-24 UNF	3/8-24 UNF	500 lb	\$42.00
33569	0.91 in	0.91 in	2.00 in	3/8-16 UNC	3/8-24 UNF	500 lb	\$36.00
33570	1.06 in	1.06 in	2.25 in	3/8-24 UNF	1/2-13 UNC	500 lb	\$32.00
33571	1.31 in	1.31 in	2.75 in	1/2-13 UNC	5/8-11 UNC	3,000 lb	\$32.00
33572	0.87 in	0.87 in	2.00 in	1/2-13 UNC	1/2-20 UNF	3,000 lb	\$36.00
33573	-	-	2.06 in	1/2-20 UNF	1/2-20 UNF	3,000 lb	\$36.00
33574	1.31 in	1.31 in	2.75 in	1/2-20 UNF	5/8-11 UNC	3,000 lb	\$38.00
33575	1.31 in	1.31 in	3.00 in	3/4-16 UNF	3/4-10 UNC	7,000 lb	\$40.00

\*Do not exceed the safe load

# ITCM Hardware Kits



Mount only - does not include load cell

The Isolated Tension Cell Mount (ITCM) is a mounting assembly designed for tension mounting S-beam load cells in suspended hopper assemblies and mechanical scale conversions. The ITCM incorporates clevis and unique rod end ball joint assemblies, reducing the overall length to less than half of traditional tension cell mounts, while providing correct load alignment. In addition, the load cell is completely electrically isolated from stray currents, a major cause of load cell failure. To complete the design, a grounding strap connects the two clevis assemblies to further ensure load cell safety.

## Standard Features

- Provides greater safety than traditional suspension configurations
- Complete package for ease of installation
- Built-in electrical isolation without having to use isolators (not available on 20,000 lb version)
- Provides correct load cell loading even in difficult installations
- Dramatically reduces overall length
- Capacities from 300 to 20,000 lb
- Clevis mounts with nylon insulating washers
- PTFE-lined rod end ball joints (not available on 20,000 lb version)
- Completely isolates load cell from stray currents
- Grounding strap for electrical continuity
- Zinc plated clevis
- Mount only: does not include load cell

## Applications

- Suspended hoppers
- Mechanical scale conversions
- Replaces traditional eye bolt, isolator configurations

## Part Number/Price

Part #	Load Rating	Clevis Thread	Rod End Thread	Safe Load*	Price
<b>Mild Steel</b>					
17968	300 lb	3/8-16	3/8-24	300 lb	\$236.00
17969	300 lb	1/2-13	3/8-24	300 lb	\$236.00
17894	500 lb	3/8-16	1/4-28	500 lb	\$236.00
17895	500 lb	1/2-13	1/4-28	500 lb	\$236.00
17896	2,000 lb	1/2-13	1/2-20	2,000 lb	\$285.00
17897	2,500 lb	5/8-11	1/2-20	2,500 lb	\$285.00
17898	4,000 lb	3/4-10	1/2-20	4,000 lb	\$285.00
17899	5,000 lb	3/4-10	3/4-16	5,000 lb	\$325.00
17900	10,000 lb	1-8	3/4-16	10,000 lb	\$325.00
17958	15,000 lb (RL20000I)	1 1/4-7	1-12	15,000 lb	\$1,284.00
63166	15,000 lb (RL20001)	1 1/4-7	1-14	15,000 lb	\$1,229.00
17959	20,000 lb**	1 1/2-6	1 1/4-12	20,000 lb	\$1,134.00
<b>Stainless Steel</b>					
33630	500 lb	3/8-16	3/8-24	500 lb	\$643.00
33631	300 lb	1/2-13	3/8-24	300 lb	\$643.00
33632	500 lb	3/8-16	1/4-28	500 lb	\$643.00
33633	500 lb	1/2-13	1/4-28	500 lb	\$643.00
33634	2,000 lb	1/2-13	1/2-20	2,000 lb	\$774.00
33635	2,500 lb	5/8-11	1/2-20	2,500 lb	\$774.00
33636	3,000 lb	3/4-10	1/2-20	3,000 lb	\$774.00
33637	5,000 lb	3/4-10	3/4-16	5,000 lb	\$1,124.00

\* Do not exceed the safe load \*\*Not electrically isolated

Note: Replacement parts for mounts can be found in the Replacement Parts Catalog.

# Grounding Strap



## Standard Features

- Used in the ITCM assembly
- Tinned copper braid
- Crimped sleeve on ends with 0.25 in hole
- Available in 12 in, 14 in, 16 in, 24 in or 32 in lengths

## Part Number/Price

Part #	Length	Price
17778	12 in	\$22.00
17779	14 in	\$22.00
17780	16 in	\$22.00
17781	24 in	\$22.00
17782	32 in	\$30.00

# Ball Bearings



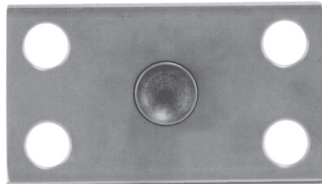
## Standard Features

- Use with load cup and load receiver to build a custom scale
- 52100 chrome alloy steel

## Part Number/Price

Part #	Drawing Dimensions	Price
18815	5/8 in diameter crush strength 32,000 lb	\$16.00
18816	7/8 in diameter crush strength 59,000 lb	\$18.00
65841	1.25 in diameter crush strength 100,000 lb	\$37.00

# Load Receiver Plate

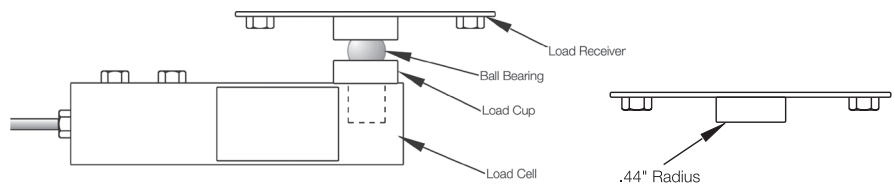
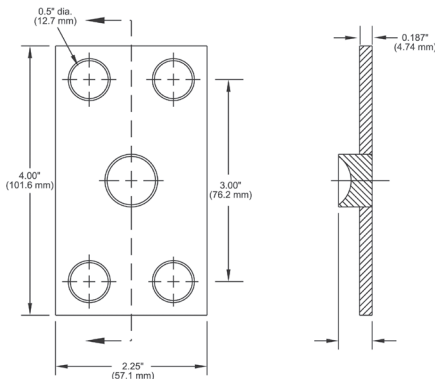


## Standard Features

- Design offers accurate point loading
- Self-centering effect built in
- Use with load cup and ball bearings to build a custom scale
- Ball and cup load introduction provides point loading for maximum accuracy
- Stainless steel construction

## Part Number/Price

Part #	Description	Price
18832	Load receiver plate	\$58.00



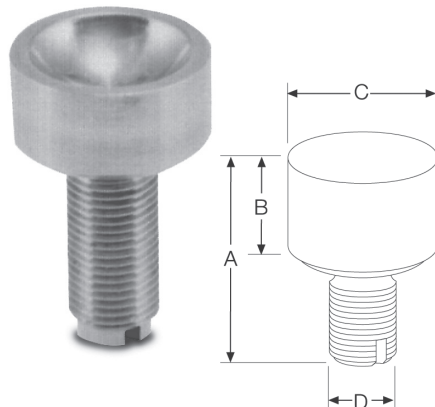
HARDWARE AND ACCESSORIES

# Load Cups

## Standard Features

- Ball and cup load introduction provides point loading for maximum accuracy
- For use with most popular single-ended beam load cells
- Constructed of 440C stainless steel

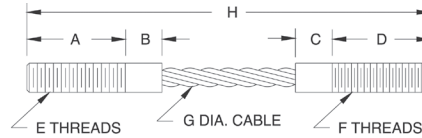
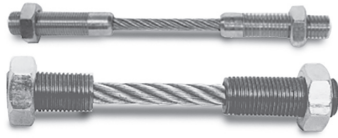
## Part Number/Price



Part #	A	B	C	D	Price
31911	1.70 in	0.54 in	1.07 in	1/2-20 UNF	\$58.00
212364	1.70 in	0.54 in	1.07 in	M8	\$70.00
33654	1.12 in	0.54 in	0.78 in	1/2-20 UNF	\$47.00
33653	1.50 in	0.80 in	1.12 in	3/4-16 UNF	\$48.00
33652	2.00 in	0.85 in	1.75 in	1-12 UNF	\$114.00
33651	2.85 in	0.85 in	1.75 in	1-12 UNF	\$160.00
33650	2.85 in	0.85 in	1.75 in	1-14 UNF	\$160.00
33647	2.75 in	0.50 in	0.75 in	1/2-20 UNF	\$57.00
72364	1.78 in	0.53 in	0.78 in	1/2-20 UNF	\$69.00
69431	Replacement cup for Cardinal® SCA-50,000 load cell				\$143.00

# Wire Rope Assemblies

*Note: Wire ropes should not be exposed to shock loads, chemicals or twisting. Chains or rods should be used as a safety backup in case of catastrophic failure.*



## Wire Rope Assemblies

- Wire rope assemblies provide better alignment and greatly increase load cell repeatability. In addition, they act as natural vibration dampeners.

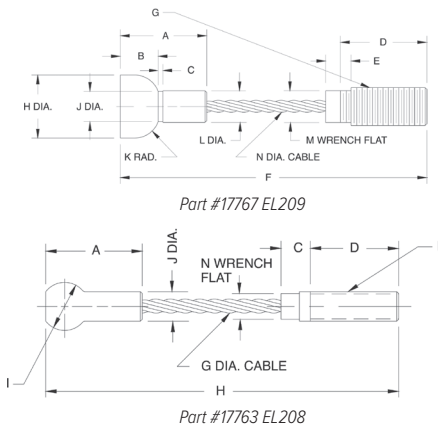
### Part Number/Price

Part #	A	B & C	D	E	F	G	H	Safe Load*	Price
17760	0.87 in	0.50 in	0.87 in	1/4-20 UNC-2A	1/4-28 UNF-2A	0.12 in	4.00 in	400 lb	\$58.00
17762	1.25 in	0.50 in	1.25 in	3/8-16 UNC-2A	3/8-24 UNF-2A	0.18 in	5.00 in	850 lb	\$64.00
17766	1.62 in	0.50 in	1.62 in	1/2-13 UNC-2A	1/2-20 UNF-2A	0.25 in	6.50 in	1,400 lb	\$66.00
17765	1.62 in	0.50 in	1.62 in	1/2-13 UNC-2A	1/2-20 UNF-2A	0.25 in	5.50 in	1,400 lb	\$79.00
17764	1.00 in	-	1.37 in	1/2-20 UNF-2A	1/2-20 UNF-2A	0.25 in	4.00 in	1,400 lb	\$95.00
17768	2.00 in	-	2.50 in	3/8-24 UNF-2A	3/8-24 UNF-2A	0.12 in	5.50 in	400 lb	\$143.00
17769**	1.25 in	-	0.75 in	1/4-28 UNF-2A	1/4-28 UNF-2A	0.12 in	3.00 in	400 lb	\$159.00
17771**	1.25 in	-	0.75 in	1/2-20 UNF-2A	1/2-20 UNF-2A	0.25 in	3.00 in	1,400 lb	\$69.00
115292***	1.25 in	-	0.75 in	1/4-28 UNF-2A	1/4-28 UNF-2A	0.12 in	3.00 in	300 lb	\$111.00
33084****	1.31 in	-	1.00 in	1/2-20 UNF	1/2-20 UNF	0.125 in	3.62 in	850 lb	\$87.00

\*Do not exceed the safe load \*\*Used with Rice Lake Weighing Systems flexure bases \*\*\*Stainless steel \*\*\*\*Used with Rice Lake Weighing Systems FXB flexure bases

# Cardinal® Wire Rope Assemblies

HARDWARE AND ACCESSORIES



## Cardinal Wire Rope Assemblies

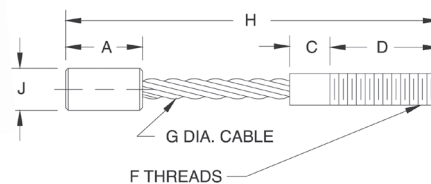
- EL208 Cardinal wire rope assembly: Used on 7,500 lb capacity FH model and 8,000 lb capacity EP model
- EL209 Cardinal wire rope assembly: Used on 20,000 lb capacity FH and EP models. May also be used on 15,000 lb capacity FH and EP models

### Part Number/Price

Part #	A	B	C	D	E	F	G	H	I	J	K	L & M	N	Safe Load*	Price
17763	1.50 in	-	0.50 in	1.50 in	-	1/2-13 UNC	0.25 in	6.00 in	0.81 in	0.43 in	-	-	0.43 in	1,400 lb	\$126.50
17767	1.71 in	0.75 in	0.09 in	2.00 in	0.43 in	6.31 in	3/4-10 UNC-2A	1.25 in	-	0.60 in	0.50 in	0.625 in	0.375 in	2,880 lb	\$247.50

\*Do not exceed the safe load

# Custom Wire Ropes



## Custom Wire Ropes

- When ordering, please complete Custom Wire Rope Definition form and provide a sample if possible, and specify the required tension rating and total capacity
- Wire ropes should not be exposed to shock loads, chemicals or twisting. Chains or rods should be used as safety backup in case of catastrophic failure.

# Custom Wire Rope Definition Form

Customer's Name: \_\_\_\_\_

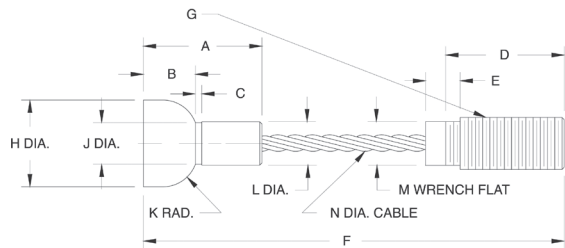
Contact Person: \_\_\_\_\_

Date: \_\_\_\_\_

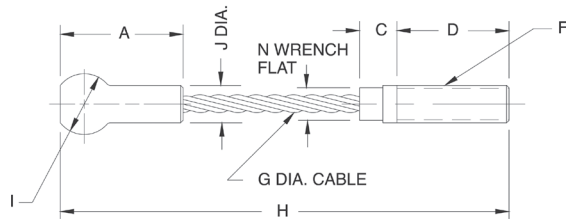
Application: \_\_\_\_\_

Wire Rope* (Enter Dimensions)		
A Thread length	F Threads	K Safe load
B Shank length	G Rope diameter	L Environment
C Shank length	H Overall length	M Application
D Thread length	I Ball diameter	N Style
E Threads	J Shank diameter	O Desired material

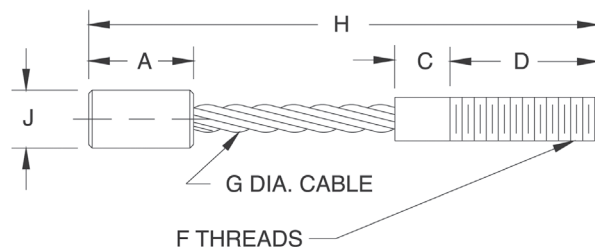
\*Use drawings below for reference



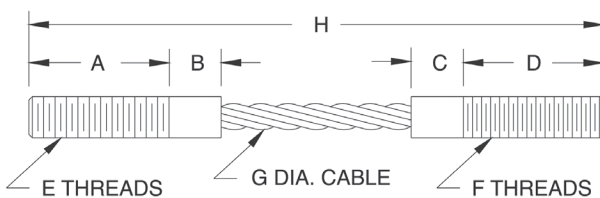
Style A



Style B



Style C



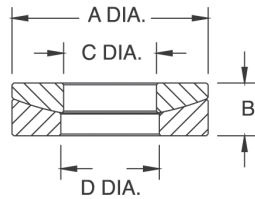
Style D



Style E

HARDWARE AND  
ACCESSORIES

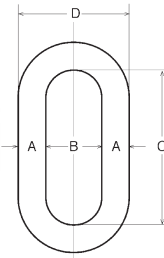
# Spherical Washer Sets



## Part Number/Price

Part #	Bolt Size	A	B	C	D	Price
<b>Mild Steel</b>						
15196	0.25 in	0.62 in	0.20 in	0.28 in	0.31 in	\$16.00
15197	0.38 in	0.88 in	0.25 in	0.41 in	0.44 in	\$19.00
15198	0.50 in	1.12 in	0.31 in	0.53 in	0.56 in	\$8.50
15199	0.62 in	1.38 in	0.31 in	0.66 in	0.69 in	\$20.00
15200	0.75 in	1.62 in	0.38 in	0.78 in	0.81 in	\$25.00
15201	1.00 in	2.00 in	0.50 in	1.06 in	1.12 in	\$39.00
15202	1.25 in	2.62 in	0.50 in	1.31 in	1.38 in	\$72.00
15203	1.50 in	2.88 in	0.53 in	1.56 in	1.62 in	\$79.00
15205	2.00 in	3.88 in	0.81 in	2.06 in	2.12 in	\$127.00
<b>Stainless Steel</b>						
33218	0.50 in	1.12 in	0.31 in	0.53 in	0.56 in	\$27.00
33220	0.75 in	1.62 in	0.38 in	0.78 in	0.81 in	\$38.00

# Weldless End Links



## Standard Features

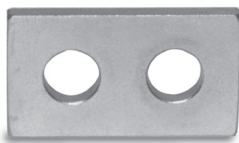
- Self-colored or hot-dip galvanized
- Forged carbon steel quenched and tempered

## Part Number/Price

Part #	A	B	C	D	Safe Load*	Price
F312L	0.625 in	1.00 in	3.25 in	2.32 in	9,300 lb	\$58.00
17810	0.875 in	2.00 in	5.13 in	3.75 in	12,000 lb	\$175.00
21911	1.00 in	2.25 in	5.75 in	4.25 in	15,200 lb	\$344.00
65430	1.25 in	2.50 in	7.00 in	5.00 in	26,400 lb	\$159.00
21912	1.375 in	2.75 in	7.75 in	5.50 in	30,000 lb	\$488.00

\*Do not exceed the safe load

# Load Cell Spacers

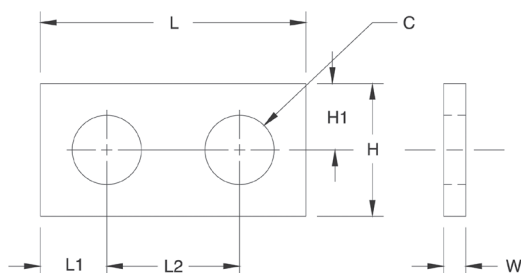


## Standard Features

- Use with most popular single-ended beams
- Provides flat mounting surface required for optimal load cell performance
- Zinc-plated mild steel or stainless steel

## Part Number/Price

Part #	C	H	H1	L	L1	L2	W	Price
<b>Mild Steel</b>								
17754	0.53 in	1.25 in	0.62 in	2.25 in	0.62 in	1.00 in	0.25 in	\$29.00
17755	0.78 in	1.50 in	0.75 in	3.00 in	0.75 in	1.50 in	0.25 in	\$29.00
17756	1.03 in	2.00 in	1.00 in	4.00 in	1.00 in	2.00 in	0.25 in	\$30.00
18260	0.53 in	1.25 in	0.62 in	2.25 in	0.62 in	1.00 in	0.37 in	\$31.00
<b>Stainless Steel</b>								
17757	0.78 in	1.50 in	0.75 in	3.00 in	0.75 in	1.50 in	0.25 in	\$37.00
18383	0.53 in	1.25 in	0.62 in	2.25 in	0.62 in	1.00 in	0.37 in	\$32.00
18411	0.53 in	1.25 in	0.62 in	2.25 in	0.62 in	1.00 in	0.25 in	\$33.00



# Load Button



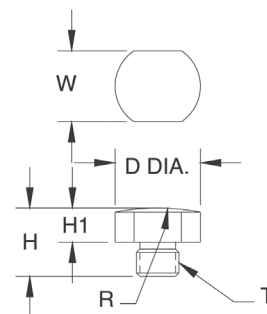
## Standard Features

### Load Button

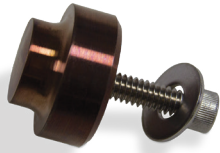
- Suitable for use with compression mounting assemblies, canisters, S-beams and single-ended beams
- Hardened alloy steel

## Part Number/Price

Part #	T	D	H	H1	R	W	Price
17750	3/8-24 UNF	0.75 in	0.60 in	0.30 in	2.00 in	0.63 in	\$37.00
17751	1/2-20 UNF	0.75 in	0.70 in	0.30 in	4.00 in	0.63 in	\$32.00
17752	3/4-16 UNF	1.50 in	0.90 in	0.30 in	6.00 in	1.25 in	\$50.00







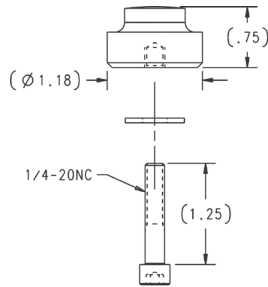
## Standard Features

### Load Button Insert Kit

- To be used with RLSSB and VPG Revere SSB load cells (1,000 to 5,000 lb)
- Hardened alloy steel

## Part Number/Price

Part #	Description	Price
26112	Load button insert kit	\$37.00



## Standard Features

- Replacement foot, adapts to most floor scales
- Use with single-ended beams to provide large, flat, adjustable introduction surface
- Special neoprene rubber sandwich base gives high accuracy, linearity and repeatability

## Part Number/Price

Part #	Material	Thread Size	Base Ht.	Total Ht.	Diameter	Price
18756	Stainless steel	1/2-20 UNF	0.75 in	2.62 in	3.47 in	\$50.00
39021	Mild steel	3/4-16 UNF-2B	0.875 in	3.25 in	4.40 in	\$93.00
39022	Mild steel	3/4-16 UNF-2B	0.875 in	4.06 in	5.40 in	\$135.00
110930	Mild steel	1-14 UNF	1.00 in	4.06 in	5.40 in	\$235.00
42130	Stainless steel	M12	0.75 in	2.62 in	3.47 in	\$103.00

# Flintec® Adjustable Rubber Foot



SLB, SB4, SB5, SB14 and SB6



BK2

## Standard Features

- Blind hole introduction
- Low profile
- Height adjustable by rotation
- Includes spacer
- Stainless steel

## Part Number/Price

Part #	Foot Diameter	Load Cell Capacity	Price
<b>SLB, SB4, SB5, SB14 and SB6</b>			
46230	2.36 in	200 to 500 lb	\$65.00
77561	3.14 in	1,000 to 5,000 lb	\$65.00
<b>BK2</b>			
87096	3.140 in	200 to 2,000 kg	\$65.00

HARDWARE AND ACCESSORIES

# Bench Scale Feet



107476



19141



35128

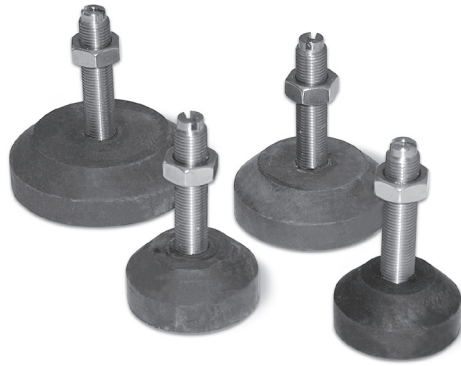
## Standard Features

- Rubber pad, 1/4-20 UNC threads
- Stainless steel, 3/8-16 UNC thread

## Part Number/Price

Part #	Description	Price
<b>Rubber Pad</b>		
35128	Bench scale feet	\$14.00
107476	CW-90/CW-90X feet	\$21.00
<b>Stainless Steel</b>		
19141	Bench scale feet	\$8.00

# Polyurethane Rubber Leveling Feet



## Standard Features

- 3 in overall height, all diameters
- Stainless steel stem for corrosion resistance
- Heavy-duty construction, low-cost replacement feet
- Four standard diameters all with 1/2-20 UNF stainless steel stud, slotted for top-access applications
- Stainless steel jam nut provided
- Top of stud is machined undersize 10% for easy alignment into load cell

## Part Number/Price

Part #	Foot Diameter	Height	Price
74585	1.87 in	3.00 in	\$32.00
74586	2.00 in	3.00 in	\$32.00
74587	2.50 in	3.00 in	\$32.00
73801	3.00 in	3.00 in	\$32.00

# Captured Ball Floor Scale Leveling Feet



Carbon

Stainless Steel

## Standard Features

### Carbon steel

- Bright zinc and clear chromate plating for corrosion resistance
- Active ball suspension provides ideal load cell loading with maximum side load protection
- Hardened alloy steel with plated finish
- Includes one jam nut in carbon steel and stainless steel feet
- Top of stud is machined undersized 10% for easy alignment into load cell plus slotted for top-access applications

### Stainless steel

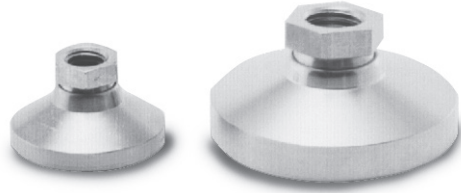
- Provides outstanding accuracy, repeatability and performance
- Active ball suspension provides optimal load cell performance
- Hardened stainless steel material, welded with polished finish
- Includes one jam nut in carbon steel and stainless steel feet
- Top of stud is machined undersized 10% for easy alignment into load cell plus slotted for top-access applications

## Part Number/Price

Part #	Foot Diameter	Thread Size Inches	Height	Price
<b>Carbon Steel</b>				
74578	1.87 in	1/2-20 UNF	3.50 in	\$45.00
74579	2.00 in	1/2-20 UNF	3.50 in	\$45.00
74580	2.50 in	1/2-20 UNF	3.50 in	\$45.00
74581	3.00 in	1/2-20 UNF	3.50 in	\$45.00
74582	3.00 in	3/4-16 UNF	4.50 in	\$56.00
74583	3.00 in	1-12 UNF	4.50 in	\$67.00
74584	3.00 in	1-14 UNF	4.50 in	\$67.00
171449	3.00 in	1-14 UNF	5.00 in	\$83.00
173018	4.40 in	3/4-16 UNF	3.13 in	\$96.00
174937	5.40 in	3/4-16 UNF	4.13 in	\$139.00
<b>Stainless Steel</b>				
74572	1.87 in	1/2-20 UNF	3.50 in	\$80.00
74573	2.00 in	1/2-20 UNF	3.50 in	\$80.00
73800	2.50 in	1/2-20 UNF	3.50 in	\$80.00
74574	3.00 in	1/2-20 UNF	3.50 in	\$80.00
74575	3.00 in	3/4-16 UNF	4.50 in	\$113.00
74576	3.00 in	1-12 UNF	4.50 in	\$136.00
74577	3.00 in	1-14 UNF	4.50 in	\$136.00
92380*	2.50 in	1/2-20 UNF	3.50 in	\$80.00
175615	3.47 in	1/2-20NF	2.62 in	\$108.00

\*Stem is fully threaded

# Leveling Pads



## Standard Features

- Replacement feet adapt to most floor scales
- Available in mild steel or stainless steel
- Simple swivel design
- Use with single-ended shear beams or bending beams to provide a large, flat load introduction surface

## Part Number/Price

Part #	Thread Size	Height	Diameter	Price
<b>Mild Steel</b>				
18817	1/2-13 NC	1.12 in	1.87 in	\$27.00
18820	3/4-10 NC	1.50 in	3.00 in	\$47.00
<b>Stainless Steel</b>				
18818	1/2-13 NC	1.12 in	1.87 in	\$63.00
18833	3/4-10 NC	1.50 in	3.00 in	\$109.00

Used in conjunction with leveling pad stems

# Leveling Mount



## Standard Features

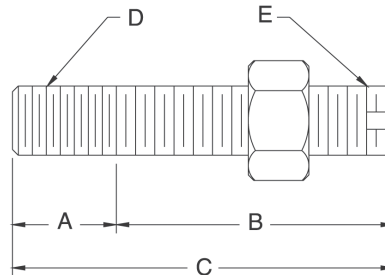
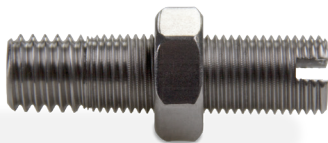
- Designed for use with some floor scales or machinery platforms
- Can limit vibrations transmitted to the scale through the floor
- Provides vibration isolation on most portable platforms

## Part Number/Price

Part #	Thread Size	Height	Diameter	Price
18819	1/2-13 NC	1.81 in	5.00 in	\$106.00

HARDWARE AND ACCESSORIES

# Leveling Pad Stems



## Standard Features

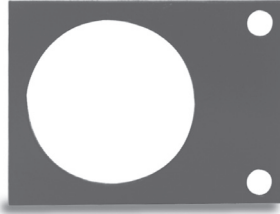
- For use with leveling pads
- One jam nut included

## Part Number/Price

Part #	A	B	C	D	E	Slot	Material	Price
<b>Mild Steel</b>								
17693	0.75 in	2.00 in	2.75 in	3/4-10 UNC	3/4-16 UNF	No	1045	\$17.00
<b>Stainless Steel</b>								
17689	0.50 in	1.50 in	2.00 in	1/2-13 UNC	1/2-20 UNF	Yes	Stainless steel	\$25.00
17695	0.75 in	2.00 in	2.75 in	3/4-10 UNC	3/4-16 UNF	No	Stainless steel	\$40.00

Warning: Do not use to suspend a load

# RoughDeck® Scale Base



## Part Number/Price

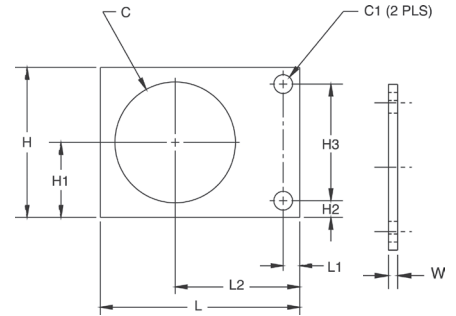
Part #	Description	Price
19075	Mild steel, 1,000 to 10,000 lb	\$19.00
19076	Stainless steel, 1,000 to 10,000 lb	\$25.00

## Dimensions

Part #	C	C1	H	H1	H2	H3	L	L1	L2	W
19075	3.62 in	0.56 in	4.50 in	2.25 in	0.50 in	3.50 in	6.00 in	0.50 in	3.75 in	0.25 in
19076	3.62 in	0.56 in	4.50 in	2.25 in	0.50 in	3.50 in	6.00 in	0.50 in	3.75 in	0.25 in

## Standard Features

- Secures RoughDeck and other popular floor scales
- Prevents movement in horizontal plane
- Useful with SureFoot™ and other load cell foot assemblies
- Available in stainless steel and mild steel



# Summit® 3000 Scale Base



## Part Number/Price

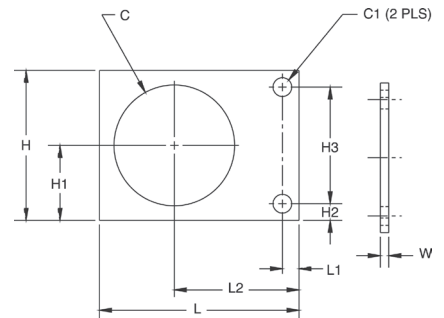
Part #	Description	Price
76149	Mild steel, 2,000 to 10,000 lb	\$19.00

## Dimensions

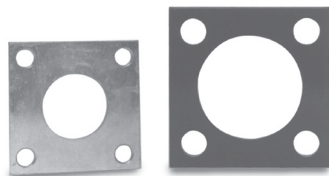
Part #	C	C1	H	H1	H2	H3	L	L1	L2	W
76149	3.19 in	0.56 in	4.50 in	2.25 in	0.50 in	3.50 in	6.00 in	0.50 in	3.75 in	0.25 in

## Standard Features

- Mounting plate for Summit 3000 floor scales



# Floor Scale Base



## Part Number/Price

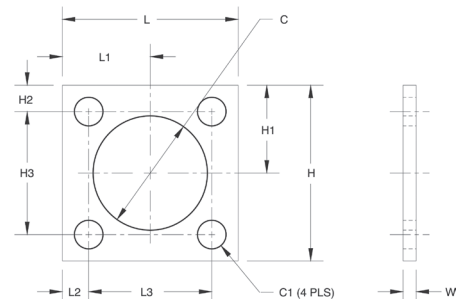
Part #	Description	Price
18737	Mild steel, 1,000 to 10,000 lb	\$9.00
18738	Mild steel, 10,000 to 20,000 lb	\$10.00
18751	Stainless steel, 1,000 to 10,000 lb	\$34.00

## Dimensions

Part #	C	C1	H	H1	H2	H3	L	L1	L2	L3	W
18737	2.00 in	0.53 in	4.00 in	2.00 in	0.50 in	3.00 in	4.00 in	2.00 in	0.50 in	3.00 in	0.25 in
18738	3.25 in	0.81 in	5.00 in	2.50 in	0.75 in	3.50 in	5.00 in	2.50 in	0.75 in	3.50 in	0.38 in
18751	2.00 in	0.53 in	4.00 in	2.00 in	0.50 in	3.00 in	4.00 in	2.00 in	0.50 in	3.00 in	0.25 in

## Standard Features

- Suitable for use with leveling pads
- Generic mounting plate for popular floor scales
- Fits most floor scale foot assemblies
- Available in stainless steel and mild steel (mild steel parts are zinc plated/painted)



# Complete Custom Cable Services



## Specifications

### Jacket Material:

PVC  
Polyurethane  
Double-jacketed

### Conductors:

Unlimited number  
Twisted pairs  
Color code  
Gauge

### Shielding:

Braided  
Foil

### Jacket Colors:

Black, brown, green, orange, red, blue, yellow, gray, natural

### Ink Colors:

Black, white, silver, orange  
Custom logos

## Approvals



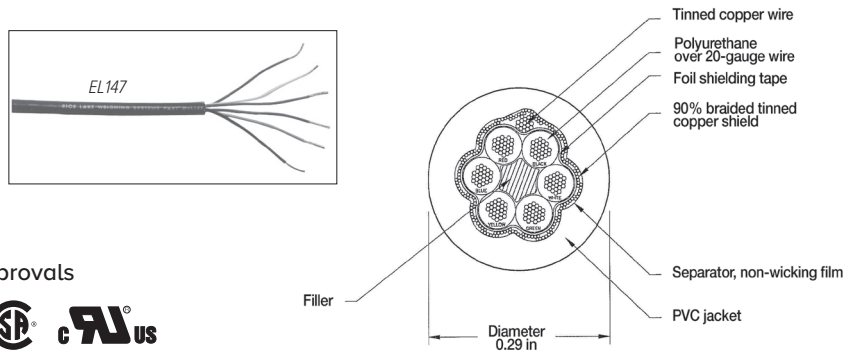
## Standard Features

- Special cable requirements
- Custom-built cable designed specifically for your application
- Choose from design elements and Rice Lake Weighing Systems will build a cable to your specifications
- Quick turnaround
- Competitively priced
- 5,000 ft minimum purchase

HARDWARE AND  
ACCESSORIES

# EL147, 6 Wire

Standard Load Cell Cable



Approvals



## Standard Features

### EL147 Standard Cable

- 20 AWG tinned copper wire stranded for flexibility
- Braided shielding is encased in red PVC
- All conductors are industry-standard color coded
- Diameter: 0.29 in
- The six-wire cable is best suited for longer runs where remote sense lines can be used
- Temperature rating:  
-22 °F to 126 °F (-30 °C to 80 °C)

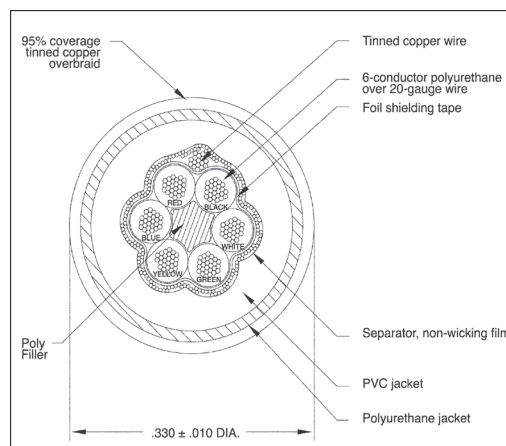
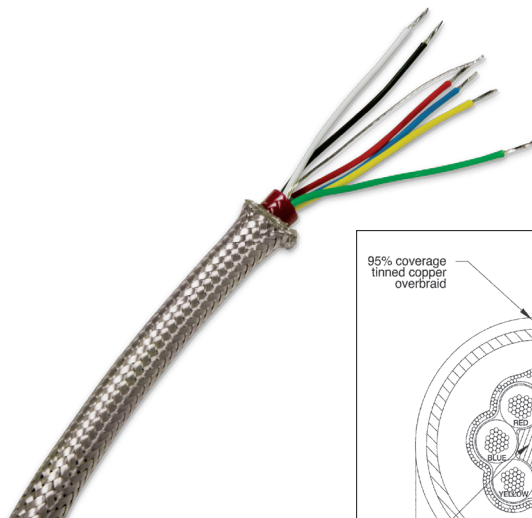
## Part Number/Price

Part #	Continuous Roll	Description	Price
15515	100 ft	Six-conductor cable	\$228.00
15516	250 ft	Six-conductor cable	\$503.00
15517	500 ft	Six-conductor cable	\$938.00
15518	1,000 ft	Six-conductor cable	\$1,828.00
15495	Custom length	Six-conductor cable	\$2.28/ft

HARDWARE AND ACCESSORIES

# EL147RP Plus, 6 Wire

Rodent Protection Load Cell Cable



## Standard Features

### EL147RP Rodent Protection Cable

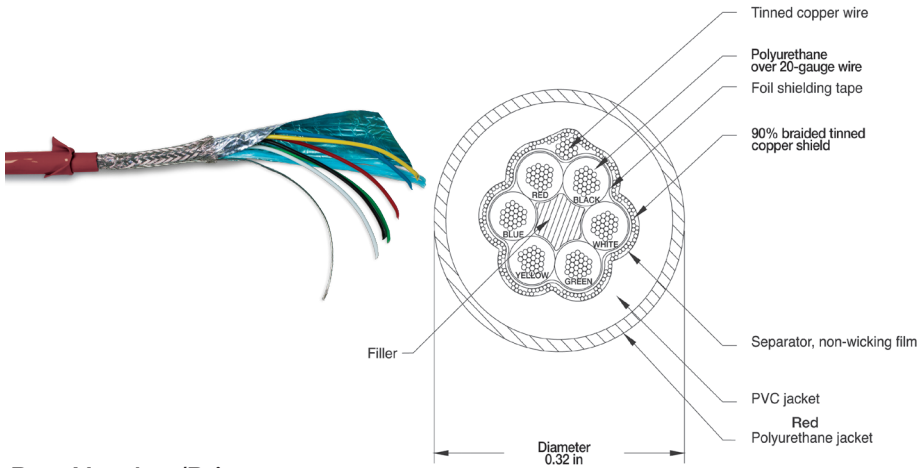
- Tinned copper overbraid provides superior rodent and abrasion deterrent
- Enhanced EMI/RFI protection
- Six-conductor industry-standard color code
- Ideal for truck and railroad-track scales
- Diameter: 0.33 in
- Temperature rating:  
-22 °F to 176 °F (-30 °C to 80 °C)
- Jacket coating enhanced with a chemical coating "NAW" that is distasteful to rodents

## Part Number/Price

Part #	Continuous Roll	Description	Price
31475	Custom length	Six-conductor rodent protection cable	\$4.00/ft
131964	100 ft	Six-conductor rodent protection cable	\$397.00
131965	250 ft	Six-conductor rodent protection cable	\$917.00
131966	500 ft	Six-conductor rodent protection cable	\$1,818.00
131967	1,000 ft	Six-conductor rodent protection cable	\$3,524.00

# EL147HE, 6 Wire

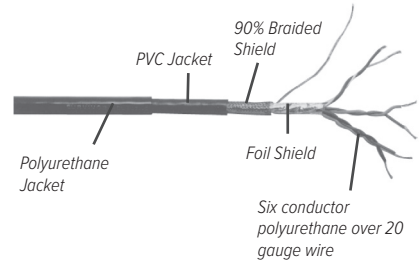
Hostile Environment Load Cell Cable



## Standard Features

### EL147HE Hostile Environment Cable

- Designed for use in hostile environments
- Polyurethane jacketing provides superior chemical and abrasion resistance
- RFI and EMI protected with foil overbraid shield
- Unmatched durability, yet extremely flexible
- All conductors are industry-standard color coded
- Diameter: 0.32 in
- Temperature rating: -22 °F to 176 °F (-30 °C to 80 °C)
- 500 V rating

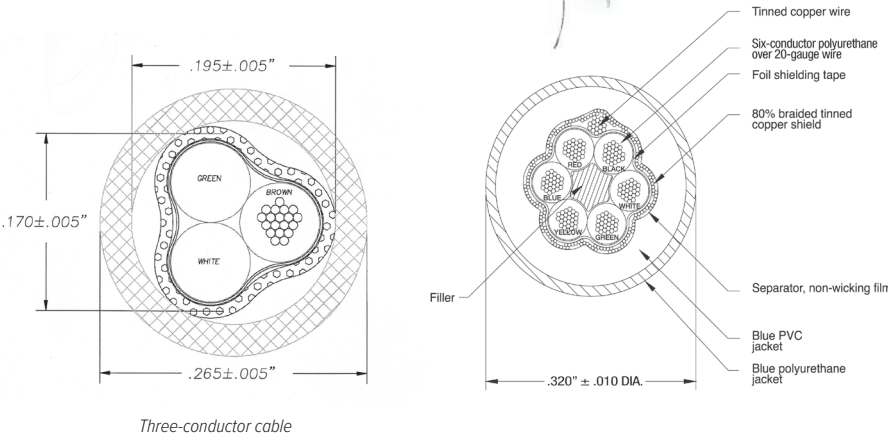
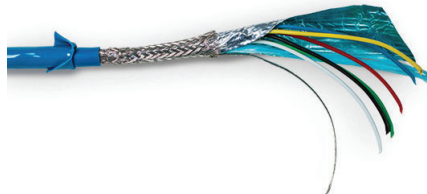


## Part Number/Price

Part #	Continuous Roll	Description	Price
15520	100 ft	Six-conductor hostile environment cable	\$265.00
15521	250 ft	Six-conductor hostile environment cable	\$636.00
15522	500 ft	Six-conductor hostile environment cable	\$1,182.00
15523	1,000 ft	Six-conductor hostile environment cable	\$2,050.00
15496	Custom length	Six-conductor hostile environment cable	\$2.80/ft

# EL147IS, 6 Wire

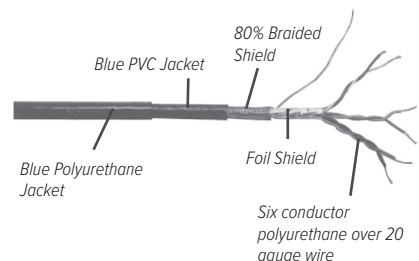
Hazardous Environment Blue Jacket Load Cell Cable



## Standard Features

### EL147IS Hazardous Environment Blue Jacket Cable

- Designed for intrinsically safe applications (must be wired according to Factory Mutual System-approved diagram)
- Polyurethane over PVC double jacketing provides superior chemical and abrasion resistance
- Both foil and braided wire shields for added RFI and EMI protection
- Six-conductor is industry-standard color coded (Also available three-conductor)
- Suited for longer runs where remote sense lines can be used
- Temperature rating: -22 °F to 176 °F (-30 °C to 80 °C)
- Diameter: 0.32 in



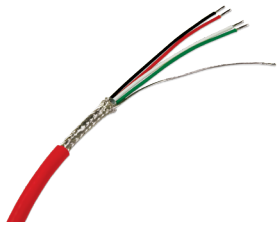
## Part Number/Price

Part #	Description	Price
32817	EL147IS, blue jacket six-conductor	\$3.34/ft
72241	Blue jacket, shielded three-conductor, UL and CSA recognized	\$2.95/ft

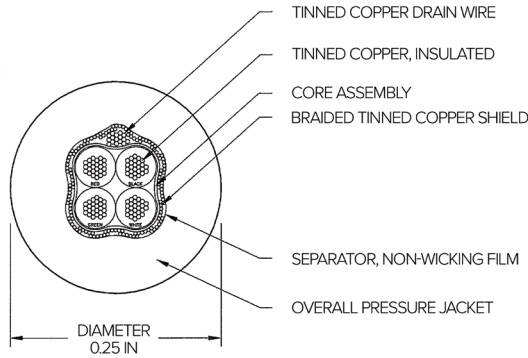
HARDWARE AND ACCESSORIES

# EL146, 4 Wire

Standard Load Cell Cable



Approvals



## Standard Features

### EL146 Standard Cable

- Four-wire load cell cable
- 20 AWG tinned copper wire stranded for flexibility
- Braided shielding is encased in red PVC
- All conductors are industry-standard color coded
- Diameter: 0.25 in
- Use the four-wire cable for repairing or extending existing cable
- Temperature rating: -22 °F to 126 °F (-30 °C to 80 °C)

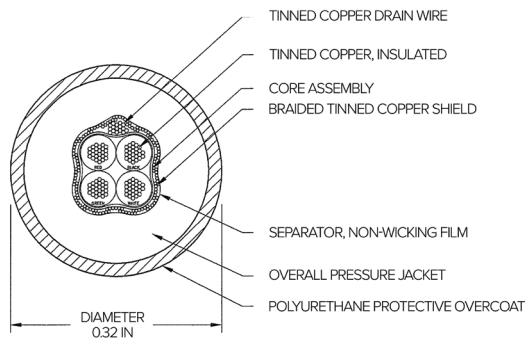
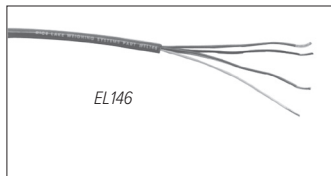
## Part Number/Price

Part #	Continuous Roll	Description	Price
15505	100 ft	Four-conductor cable	\$143.00
15506	250 ft	Four-conductor cable	\$334.00
15507	500 ft	Four-conductor cable	\$652.00
15508	1,000 ft	Four-conductor cable	\$1,075.00
15493	Custom length	Four-conductor cable	\$1.65/ft

HARDWARE AND ACCESSORIES

# EL146HE, 4 Wire

Hostile Environment Load Cell Cable



## Standard Features

### EL146HE Hostile Environment Cable

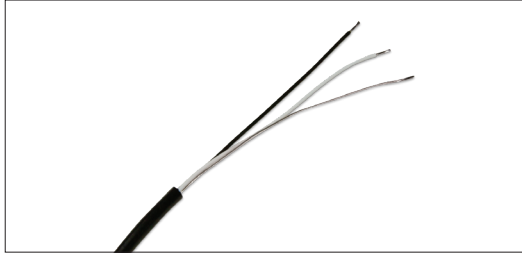
- Designed for use in hostile environments
- Polyurethane jacketing provides superior chemical and abrasion resistance
- RFI and EMI protected with foil overbraid shield
- Unmatched durability, yet extremely flexible
- All conductors are industry-standard color coded
- Diameter: 0.32 in
- Temperature rating: -22 °F to 176 °F (-30 °C to 80 °C)
- 500 V rating

## Part Number/Price

Part #	Continuous Roll	Description	Price
15510	100 ft	Four-conductor hostile environment cable	\$175.00
15511	250 ft	Four-conductor hostile environment cable	\$424.00
15512	500 ft	Four-conductor hostile environment cable	\$805.00
15513	1,000 ft	Four-conductor hostile environment cable	\$1,606.00
15494	Custom Length	Four-conductor hostile environment cable	\$1.96/ft



# EL144 Communications Cable



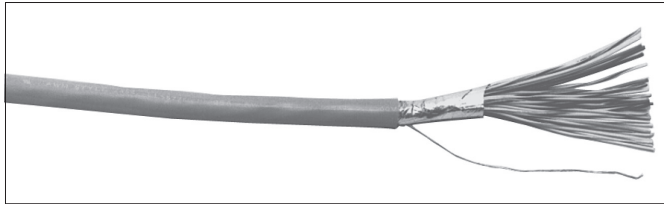
## Standard Features

- Two-conductor with bare ground
- RFI/EMI protected with foil shield
- 20 gauge conductors
- Perfect for RS-232, two-wire RS-485 and 20 mA current loop communications
- Diameter: 0.19 in
- Conductor colors are black and white

## Part Number/Price

Part #	Description	Price
32803	EL144	\$1.22/ft
72691	EL144, 100 ft	\$90.00
72072	EL144, 500 ft	\$477.00
72693	EL144, 1,000 ft	\$865.00

# BCD Cable



## Standard Features

- Sheathed in gray PVC
- Mylar aluminum foil shield with stranded tinned copper drain wire
- Diameter: 0.375 in

## Part Number/Price

Part #	Description	Price
15497	BCD, 24 AWG, 30-conductor	\$29.00/ft

HARDWARE AND ACCESSORIES

# Fiber-Optic Cable



Color Code: Black-TXD, Blue-RXD

## Standard Features

- Duplex cable polyethylene black jacket material
- 4.4 + 0.10 mm outer diameter of duplex cable
- 2.2 + 0.007 mm single cable outer diameter
- Operating temperature: 32 °F to 158 °F (0 °C to 70 °C)

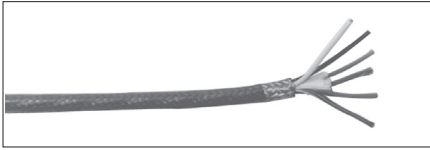
## Part Number/Price

Part #	Description	Price
78910	Custom length	\$1.75/ft
78026	100 ft cable	\$175.00
78027	200 ft cable	\$328.00
78028	300 ft cable	\$425.00
83052*	Fiber-optic connector	\$48.00
80892	Fiber-optic cable cutter	\$12.00
85548	Fiber-optic hot knife	\$65.00

\*Duplex fiber cable requires two connectors

# SURVIVOR® EL620HE

High Temperature Cable



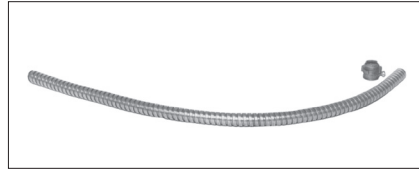
## Standard Features

- Multi-conductor overall foil and braid shield
- Suitable for temperatures from -40 °C (-40 °F) to 200 °C (392 °F)
- Insulation thickness: 0.010 in
- Jacket thickness: 0.017 in
- 18 gauge, tinned copper conductors
- Six-conductor
- FEP jacket, resistant to chemical corrosion and high temperature
- Aluminum-polyester shield with 85% tinned copper braid shield
- 150 V NEC 725 Class 2 classified for use in an air plenum non-conduit
- 0.24 in diameter cable

## Part Number/Price

Part #	Description	Price
15605	EL620HE	\$13.00/ft

# SURVIVOR® Cable Armor



## Standard Features

- Flexible all-metal protective armor
- Ideal for protecting load cell cable from mechanical abrasion or rodents
- Available in stainless steel and galvanized steel
- 0.5 in internal diameter, 2.0 in minimum bend radius
- Optional end fitting with 1/2 in male pipe thread

## Part Number/Price

Part #	Description	Price
17808	Galvanized steel	\$4.50/ft
17806	Stainless steel	\$5.50/ft
17807	Optional end fitting	\$2.65 each

HARDWARE AND ACCESSORIES

# EL148HE Mettler Toledo®

Replacement Power Cell Cable



## Standard Features

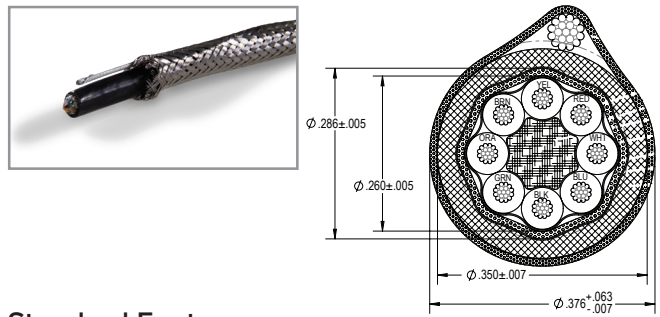
- 100% stainless steel military connector-electro deposited nickel plating with stainless banding and epoxy heat-shrink strain relief
- Stainless steel arctic ring precision cut for improved connection
- Textured rubber boot for additional grip
- Standard Mettler Toledo color code
- Compatible with Mettler Toledo Powercell CMOS/NMOS and MTX load cells. NOT compatible with Mettler Toledo PDX load cells.
- Custom lengths available

## Part Number/Price

Part #	Cable Length Each	Price
100268	8 ft	\$387.00
101102	12 ft	\$397.00
104164	15 ft	\$380.00
100269	26 ft	\$419.00
100270	35 ft	\$440.00

# Mettler Toledo® Power Cell®

Homerun Cable



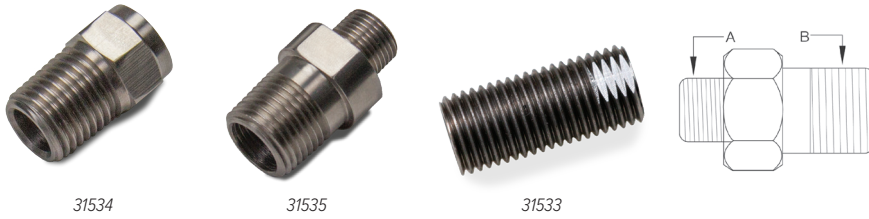
## Standard Features

- Galvanized steel drain wire
- 20 gauge 8 conductors
- Stainless steel braid shield

## Part Number/Price

Part #	Description	Price
194837	Galvanized steel	\$8.50/ft

# Load Cell Conduit Adapters



## Standard Features

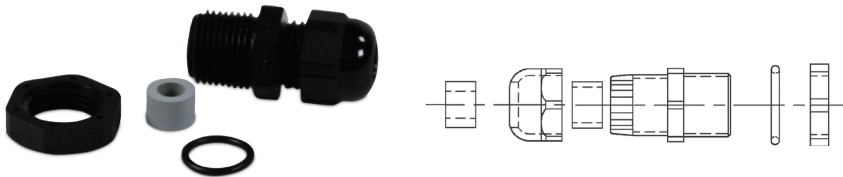
- Used to adapt conduit to load cells
- 303 stainless steel

## Part Number/Price

Part #	A	B	Price
<b>Thread-On</b>			
31533	3/8-24 UNF	—	\$37.00
31534	—	1/4-18 NPT	\$37.00
31535	5/8-18 UNF	1/2-14 NPT	\$37.00

Note: 31533 and 31534 are used together to form male-to-male adapter

# Cord Grip Assemblies



## Standard Features

- Assemblies include cord grip, locknut, O-ring seal, gray and black reducer glands
- Fittings are made of weather- and corrosion-resistant nylon

## Part Number/Price

<b>Gland Cable Ranges</b>					
Part #	Thread	Panel Hole Diameter	Regular (Black)	Reducer (Gray)	Price
15669	PCN9	0.625 in	0.157 to 0.314 in	0.118 to 0.236 in	\$5.25
15670	3/8 NPT	0.687 in	0.157 to 0.314 in	0.118 to 0.236 in	\$4.75
15671	1/2 NPT	0.844 in	0.236 to 0.472 in	0.200 to 0.354 in	\$5.50

HARDWARE AND ACCESSORIES

# EL214 Cable Splicing Kit



## Standard Features

### EL214

- Designed for a complete, professional transducer cable splice
- Prevents moisture from entering the load cell through the cable connector
- Each kit contains a high-impact plastic splicing box, liquid-tight cable fittings, circuit card, PTFE sleeving, pre-measured potting compound and complete instructions
- Solder terminals

## Specifications

### Dimensions:

(L × W × H)  
3.00 × 1.00 × 1.50 in

### Mounting Centers:

2.50 in

### Number of Connections:

Seven

### Cable Diameter:

0.187 to 0.312 in

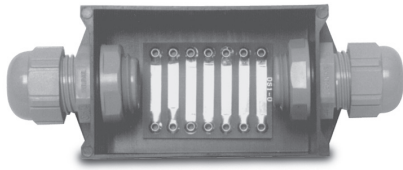
### Cure Time For Potting:

Two hours at 73 °F (23 °C)

## Part Number/Price

Part #	Description	Price
15485	EL214	\$143.00

# EL214T Cable Splicing Kit



## Standard Features

### EL214T

- Designed to accommodate cables larger than the EL214; all other dimensions and performance features are the same
- Solder terminals

## Specifications

### Dimensions:

(L × W × H)  
3.00 × 1.00 × 1.50 in

### Mounting Centers:

2.50 in

### Number of Connections:

Seven

### Cable Diameter:

0.187 to 0.312 in

### Cure Time For Potting:

Two hours at 73 °F (23 °C)

## Part Number/Price

Part #	Description	Price
15486	EL214T	\$154.00

# EL215 Cable Splicing Kit



## Standard Features

- Designed for use in weather-exposed or direct-burial locations
- Each kit contains plastic splicing tube, circuit board, insulating resin and instructions
- Solder terminals

## Specifications

### Dimensions:

(L × W)  
6.00 × 1.38 in

### Number of Connections:

7

### Cable Diameter:

Up to 0.75 in

### Cure Time For Potting:

2 hours at 70 °F (21 °C)

## Part Number/Price

Part #	Description	Price
15612	EL215	\$116.00

# Flintec® Load Cell Cable

Replacement Kits



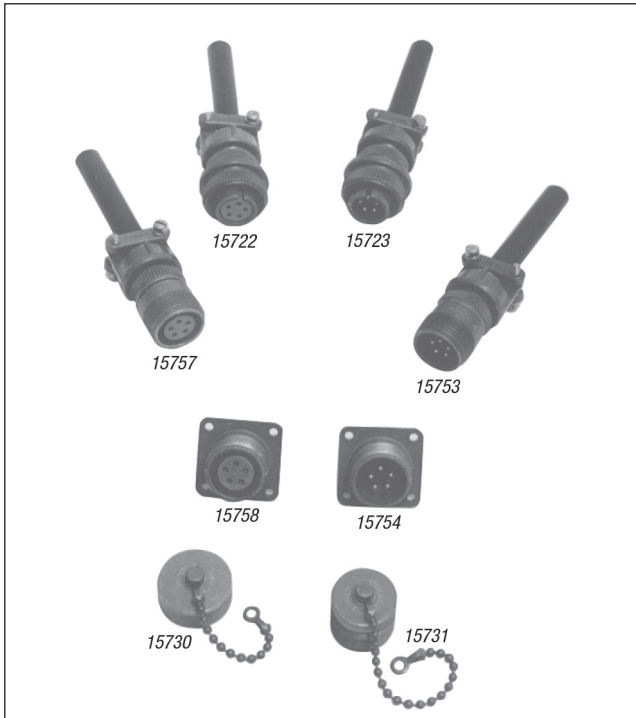
## Standard Features

- Each kit includes cable for four Flintec SB4 load cells as listed

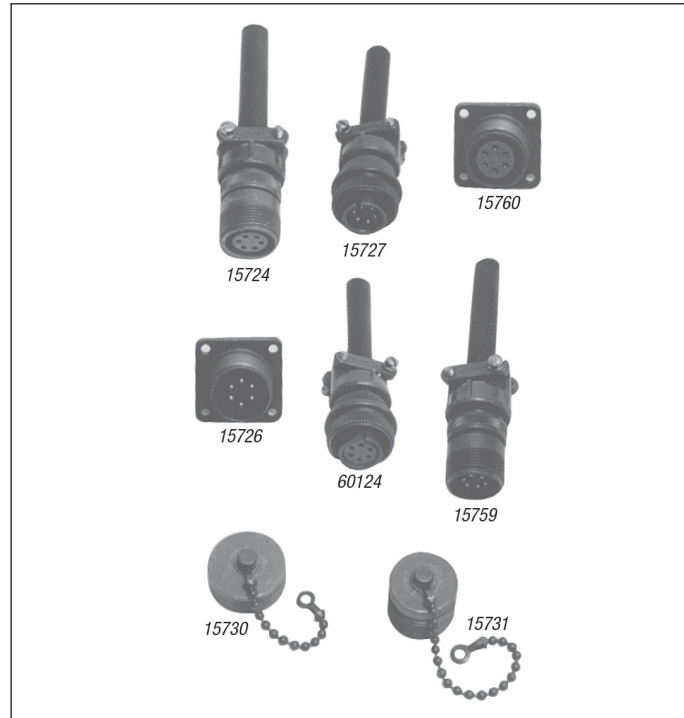
## Part Number/Price

Part #	Description	Cable Length Ea. Feet	Price
18412	For SB4, 225 to 5,200 lb	10 ft	\$370.00
18413	For SB4, 11,250 to 22,500 lb	15 ft	\$397.00

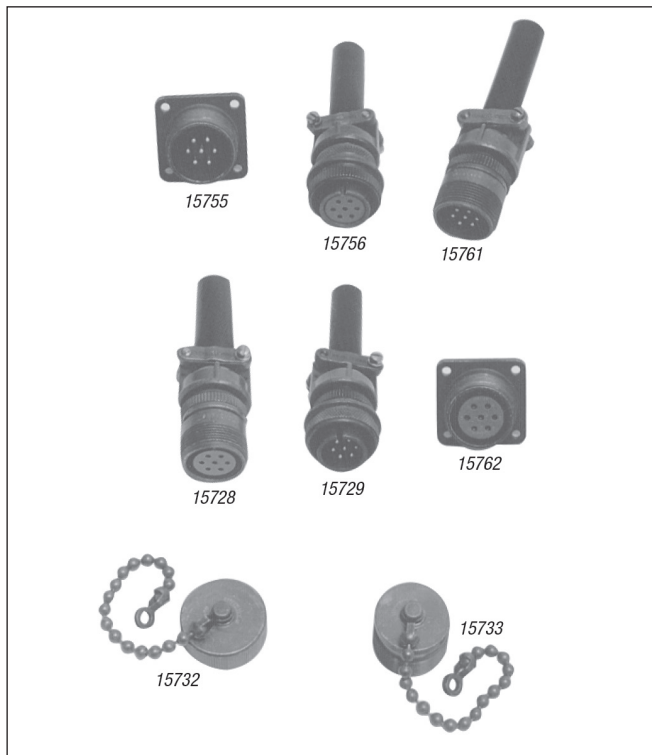
## Five-Position Connectors, Shell Plugs, Receptacles



## Six-Position Connectors, Shell Plugs, Receptacles



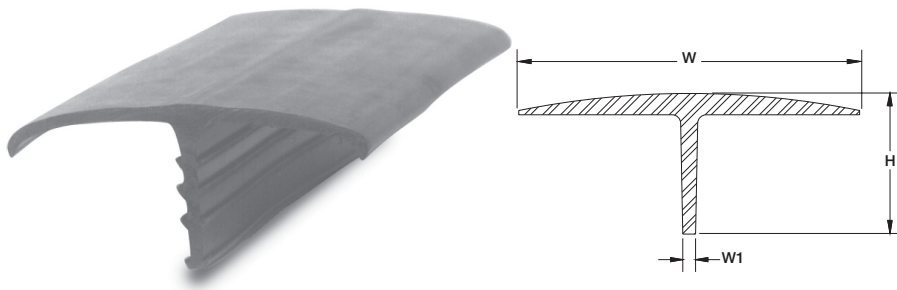
## Seven-Position Connectors, Shell Plugs, Receptacles



### Part Number/Price

Part #	Description	Price
15753	Five-pin, external thread	\$32.00
15722	Five-socket, internal thread	\$33.00
15723	Five-pin, internal thread	\$32.00
15757	Five-socket, external thread	\$37.00
15754	Five-pin chassis mount, external thread	\$37.00
15758	Five-socket chassis mount, external thread	\$23.00
15730	Dust cap for ext. thread five-position connector	\$14.00
15731	Dust cap for int. thread five-position connector	\$19.00
15759	Six-pin, external thread, male	\$32.00
60124	Six-socket, internal thread connector, female fits Toledo load cells, Condec indicators	\$27.00
15727	Six-pin, internal thread, male	\$31.00
15724	Six-socket, external thread	\$35.00
15726	Six-pin chassis mount, external thread	\$24.00
15760	Six-socket chassis mount, external thread	\$23.00
15730	Dust cap for ext. thread six-position connector	\$14.00
15731	Dust cap for int. thread six-position connector	\$19.00
15761	Seven-pin, external thread	\$33.00
15756	Seven-socket, internal thread	\$35.00
15729	Seven-pin, internal thread	\$35.00
15728	Seven-socket, external thread	\$35.00
15755	Seven-pin chassis mount, external thread	\$24.00
15762	Seven-socket chassis mount, external thread	\$27.00
15732	Dust cap for ext. thread seven-position connector	\$20.00
15733	Dust cap for int. thread seven-position connector	\$31.00

# T-Grip Molding



## Standard Features

### T-Grip

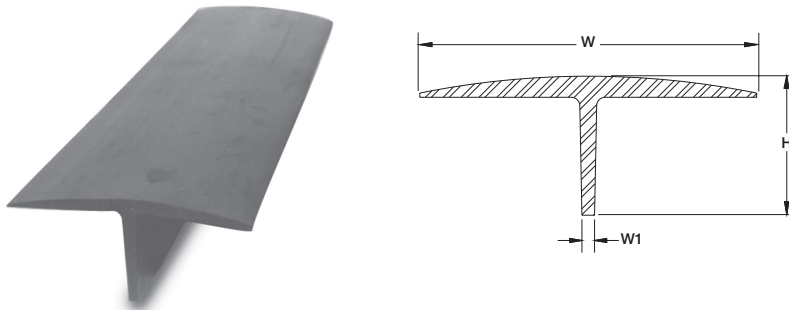
- Designed for use in truck scale applications to prevent spillover into the pit
- Impact, tear and weather-resistant EPDM rubber
- Barbed web to hold molding in place
- Web thickness 0.22 in
- Available by the foot: 10 ft, 11 ft, 70 ft, 80 ft and 100 ft lengths
- Maximum continuous length is 450 ft

## Part Number/Price

Part #	H	W	W1	Length	Price
18799	2.56 in	5.75 in	0.22 in	Sold by the foot	\$13.00/ft
18800	2.56 in	5.75 in	0.22 in	10 ft	\$100.00
18801	2.56 in	5.75 in	0.22 in	11 ft	\$110.00
18802	2.56 in	5.75 in	0.22 in	70 ft	\$795.00
33219	2.56 in	5.75 in	0.22 in	80 ft	\$895.00
33222	2.56 in	5.75 in	0.22 in	100 ft	\$1,125.00

Note: Maximum continuous length is 450 ft. Call for price and availability.

# T-Strip Molding



## Standard Features

### T-Strip

- Designed for use in truck scale applications to prevent spillover into the pit
- Impact, tear and weather-resistant SBR rubber
- Web thickness 0.25 in
- Available by the foot: 10 ft, 11 ft, 70 ft, 80 ft and 100 ft lengths
- Maximum continuous length is 450 ft

## Part Number/Price

Part #	H	W	W1	Length	Price
18736	2.00 in	4.50 in	0.25 in	Sold by the foot	\$12.00/ft
18776	2.00 in	4.50 in	0.25 in	10 ft	\$95.00
18797	2.00 in	4.50 in	0.25 in	11 ft	\$105.00
18798	2.00 in	4.50 in	0.25 in	70 ft	\$695.00
33223	2.00 in	4.50 in	0.25 in	80 ft	\$825.00
33224	2.00 in	4.50 in	0.25 in	100 ft	\$1,025.00

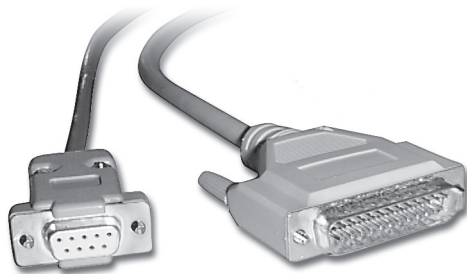
Note: Maximum continuous length is 450 ft. Call for price and availability.







# Printer Cables



72440



156806 (1m)

156807 (3m)

156808 (5m)

## Part Number/Price

Part #	Description	Price
<b>Interface Cables for TicketPress, SP-2200, TM-U295, TM-U590 and Star® Printers</b>		
15547	Blunt end, 25-pin D-sub male RS-232 serial interface cable	\$70.00
15548	25-pin D-sub male to 25-pin D-sub male 20 mA serial interface cable (SP2200 only)	\$70.00
15568	25-pin D-sub male to 25-pin D-sub male RS-232 serial interface cable	\$70.00
Consult	Custom 20 mA/RS-232 serial interface cable	\$95.00
<b>Interface Cables for I-Class</b>		
15547	Blunt end, 25-pin D-sub male RS-232 serial interface cable	\$70.00
Consult	Custom RS-232 interface cable	\$95.00
<b>Interface Cables for Desktops, GoDEX Models, Zebra, E-4203 and M-4206</b>		
41276	DB9 male RS-232 cable to blunt end	\$77.00
<b>Straight Cable</b>		
70056	DB9 male to DB9 female	\$40.00
50749	DB9 female to DB9 female	\$60.00
41279	DB25 male to DB9 male	\$70.00
72440	DB25 male to DB9 female	\$67.00
<b>Null Modem Cable</b>		
66535	DB9F to DB9 female, Null modem	\$46.00
64794	DB9 male to DB9 female	\$69.00
<b>USB Cable</b>		
79074	USB-A (male) to USB-B (male) cable, 6 ft	\$35.00
156806	USB-A (male) to USB-A (male) cable, 1 m	\$35.00
156807	USB-A (male) to USB-A (male) cable, 3 m	\$50.00
156808	USB-A (male) to USB-A (male) cable, 5 m	\$60.00
156809	USB-A (male) to USB-B (male) cable, 1 m	\$55.00
156815	USB-A (male) to USB-B (male) cable, 3 m	\$55.00
156811	USB-A (male) to USB-B (male) cable, 5 m	\$70.00
<b>Ethernet Cable/RJ45</b>		
72697	RJ45 to RJ45, 7 ft	\$40.00
78860	RJ45 to RJ45, cross over 7 ft	\$40.00
75594	RJ45 to nine-pin female	\$70.00
156817	RJ45, 1 m	\$35.00
156818	RJ45, 3 m	\$42.00
156821	RJ45, 5 m	\$50.00
<b>Misc. Cables and Adapters</b>		
22436	Blunt end, nine-pin D-sub female	\$70.00
130213	Blunt end DB25 male	\$58.00
165698	Female to male gender changer	\$11.25
119064	Slimline, Null modem gender changer, DB9 female/female	\$12.50
130789	Null modem DB9 M/F	\$14.50



156817 (1m)

156818 (3m)

156821 (5m)

HARDWARE AND  
ACCESSORIES

Blunt-end cables interface to: UMC444, UMC555, UMC600, IQ700, IQ plus® 310A, IQ plus® 355, IQ plus® 390-DC, IQ plus® 510, IQ plus® 590-DC, IQ plus® 710, IQ plus® 800, and IQ plus® 810, 520 and 920i®

Custom cables are designed to interface with your specific equipment. Please specify equipment model number and connector type. Standard cable length is 5 ft.

# Static Brushes

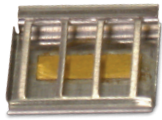


Part #	Staticmaster Part #	Description	Price
76669	1C200	Static brush 1 in	\$140.00
76670	1C200R	Replacement cartridge	\$90.00



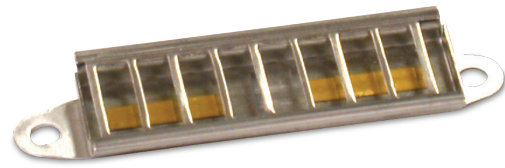
Part #	Staticmaster Part #	Description	Price
76671	3C500	Static brush 3 in	\$210.00
76672	3C500R	Replacement cartridge	\$145.00

# Ionizing Strips



Part #	Staticmaster Part #	Description	Price
76677	1U400	Ionizing unit 1 × 1 in 500 microcurries	\$250.00
76678	1U200	Ionizing unit 1 × 1 in 250 microcurries	\$150.00
76676	2U500	Ionizing unit 1 × 3 in	\$250.00

# Ionizing Strip Accessories



Part #	Staticmaster Part #	Description	Price
76679	BF1	Ionizer positioner	\$73.00
76680	BF2	Ionizer positioner only - C bracket	\$105.00

HARDWARE AND ACCESSORIES

# Desiccants



## Standard Features

- Packets
- Bagged desiccants to protect your enclosed electronic components from moisture and humidity
- Useful in junction boxes, indicators and all scale electronics

## Part Number/Price

Part #	Description	Price
16038	Mini Pax® 7 g	\$1.22
16039	NatraSorb® 20 g	\$2.23
92240	Silica gel 1 unit pkg 3 g	\$1.17

# Industrial Corrosion Inhibitor



## Standard Features

- Special chemical combination provides superior protection
- Protects 5 cubic ft/1.4 cubic m of enclosure volume for approximately one year
- Dimensions: (W × H) 2.5 × 1.5 in (64 × 38 mm)

## Part Number/Price

Part #	Description	Price
16037	Corrosion inhibitor	\$42.00

# Crimper and Lead Seals



## Part Number/Price

Part #	Description	Price
21111	Crimper and two die blanks	\$148.00
15318	Crimper die blank (replacements)	\$64.00
15317	100 seals/pkg	\$53.00

## Standard Features

### Crimper

- 5.0 in (127 mm) seal press with two 0.5 in (13 mm) engraving dies
- Chrome finish
- Maximum number of characters that can be engraved on die is 9
- Compound leverage
- Quick delivery on custom dies

### Lead Seals

- Heavy-duty seal with galvanized steel wire
- Length 16.0 in (406 mm)

# Static Control Table Mat and Floor Mat

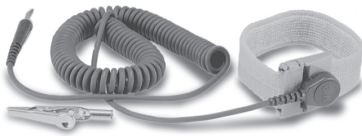


An absolute must for every workbench, this kit includes a 3-layer 2 × 4 ft table mat, 4 × 6 ft floor mat, ground cord and adjustable wrist strap. Designed specifically for energized circuit work, the static control table and floor mat provide superior protection against ESD.

## Part Number/Price

Part #	Description	Price
34265	Static control table mat and floor mat	\$900.00

# Static Control Wrist Strap



The single most important personal accessory for protecting ESD sensitive components and circuits, this wrist strap protects against charges from the body. The wrist strap consists of a comfortable elastic cuff or band and a detachable conductive cord for grounding the wrist band.

## Part Number/Price

Part #	Description	Price
34263	Static control wrist strap	\$58.00

# Static Shielding Bags



This static shield bag offers total ESD protection, whether you're transporting ESD-susceptible products across the room or across the country. The outer layer of the bag consists of an abrasion-resistant polyester, while the antistatic polyethylene inner layer retards triboelectric static charging from inside the bag.

## Part Number/Price

Part #	Description	Price
16150	Static shielding bags, 8 × 10 in	\$1.17 each
16151	Static shielding bags, 12 × 18 in	\$3.45 each

# Static-Safe Service Kit



## Standard Features

- Eliminates static for safe board replacement
- Connects a field service technician and the static-safe work surface to the same ground point
- Harmlessly drains static charges from the body and from any conductive objects placed on the mat
- Folds into a compact unit for transport and storage

## Part Number/Price

Part #	Description	Price
32818	Static-safe service kit	\$206.00

# Rice Lake's Scale Technician Kits

Take Rice Lake's commitment to customer service into the field. Rice Lake's Scale Technician Kit has everything you need in one convenient backpack to troubleshoot and repair wherever you are.

## PN 166205 Technician Tool Kit \$1,050.00

- Rice Lake backpack
- Simulator with vernier
- Digital volt meter
- Communication Kit



## PN 166204 Communication Kit \$175.00

- Cinch sack
- Document Kit
- Six-in-one screwdriver
- Small RLWS screwdriver
- Test LEDs
- USB to serial converter
- DB9M to DB9F straight cable
- DB9F to blunt end cable
- DB25M to blunt end cable
- Female to female DB9 null modem adapter
- Female to male DB9 gender changers
- Null modem adapter
- TCP/IP patch cable
- TCP/IP crossover cable



## PN 166203 Document Kit \$10.50

- Pinouts for a DB9 and DB25 cable shows both male and female connectors
- Pinouts and color codes for a patch and crossover Ethernet cable
- Recommended maximum cabling distances of RS-232, 20mA, 485 and Ethernet TCP/IP
- Standard ASCII chart in both decimal and hexadecimal
- Links to website to download latest version of Revolution® and iRev® (on CD)
- Link to freeware terminal program download (PUTTY, Hercules, RealTerm, etc.)
- Load cell color wire chart
- Weigh Modules and Vessel Weighing Handbook PN 43918
- Load Cell and Weigh Module Handbook PN 22054



## PN 118432 Small Screwdriver \$3.00



HARDWARE AND ACCESSORIES

# Junction Boxes / Simulators

## TABLE OF CONTENTS

<b>JB4SS</b> .....	<b>364</b>
<i>TuffSeal® Signal Trim Junction Box</i>	
<b>JB4ES</b> .....	<b>365</b>
<i>TuffSeal® Excitation Trim Junction Box</i>	
<b>JB4SP and JB4SPT</b> .....	<b>366</b>
<i>TuffSeal® Signal Trim Junction Box</i>	
<b>JB4EP and JB4EPT</b> .....	<b>367</b>
<i>TuffSeal® Excitation Trim Junction Box</i>	
<b>EL204</b> .....	<b>368</b>
<i>Signal Trim Junction Box</i>	
<b>EL504</b> .....	<b>369</b>
<i>Signal Trim Junction Box</i>	
<b>JB8SP</b> .....	<b>370</b>
<i>TuffSeal® Signal Trim Junction Box</i>	
<b>JB8SPT</b> .....	<b>371</b>
<i>TuffSeal® Signal Trim Junction Box</i>	
<b>EL304A</b> .....	<b>372</b>
<i>Signal Trim Junction Box</i>	
<b>JB1010T</b> .....	<b>373</b>
<i>Signal/Excitation Trim Junction Box</i>	
<b>JB1010ST</b> .....	<b>374</b>
<i>Signal Trim Junction Box</i>	
<b>Replacement Junction Boxes, Boards or Components</b> .....	<b>375</b>
<b>iQUBE<sup>2</sup></b> .....	<b>376</b>
<i>Digital Diagnostic Junction Box</i>	
<b>EL168</b> .....	<b>379</b>
<i>1-Cell Junction Box</i>	
<b>TP75 DC</b> .....	<b>379</b>
<i>Transient Protection</i>	
<b>UJB3T6 DC</b> .....	<b>380</b>
<i>Transient Protection</i>	
<b>TP232</b> .....	<b>381</b>
<i>High Energy RS-232 Serial Protection</i>	
<b>Ranger 1</b> .....	<b>381</b>
<i>Variable Range Simulator</i>	
<b>Ranger 3</b> .....	<b>382</b>
<i>Variable Range Simulator</i>	
<b>Transducer Simulator 4</b> .....	<b>382</b>
<b>Ranger 5</b> .....	<b>383</b>
<i>Variable Range Simulator</i>	
<b>Ranger 7</b> .....	<b>383</b>
<i>Variable Range Simulator</i>	

The following product names, logos, brands and other trademarks featured or referred to within this publication are the property of their respective trademark holders.

# JB4SS

TuffSeal® Signal Trim Junction Box



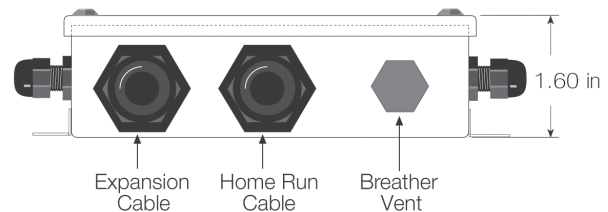
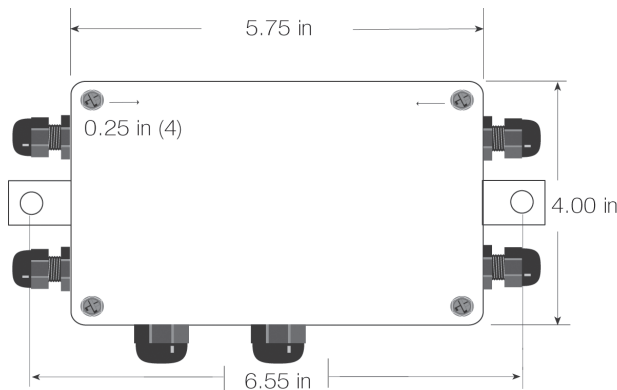
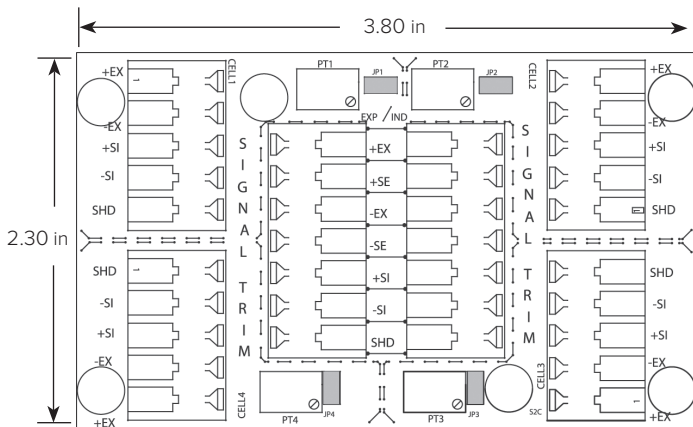
## Approvals



## Part Number/Price

Part #	Description	Price
88956	JB4SS signal trim junction box with PG7 cord grips for load cells	\$275.00
107700	JB4SS signal trim junction box with PG9 cord grips for load cells	\$290.00
88958	Board only	\$175.00
182990	Board only with standoffs	\$180.00
165271	Enclosure only (includes cord grips and filter)	\$150.00

Note: Do not mix junction box models or use other brands of junction boxes with Rice Lake junction boxes. There is a risk of system instability.



## Standard Features

- Stainless steel, NEMA Type 4X enclosure
- Jumpers to enable/disable a load cell
- PreVent™ breather vent
- Conformal coated circuit board
- Number of cells: two, three or four single cells
- Expansion port

## Applications

- Floor, tank, hopper scales

## Specifications

### Cable Fittings:

#### P/N 88956:

- (4) PG7 0.118 to 0.255 in strain relief
- (2) PG11 0.197 to 0.394 in strain relief

#### P/N 107700:

- (4) PG9 0.138 to 0.315 in strain relief
- (2) PG11 0.197 to 0.394 in strain relief

### Rating/Material:

- NEMA Type 4X
- Stainless steel

### Connectors:

- Spring clamp screwless, 12 to 28 AWG

### Trimming:

- Individual cell, signal trim

### Temperature:

- Operating: 0 °F to 122 °F (-18 °C to 50 °C)

### Potentiometers:

- 100,000 ohm, 25-turn cermet

### Circuit Board:

- 3.8 × 2.3 in, with conformal coating

### Warranty:

- One-year limited

### Approvals:

- cFMus

JUNCTION BOXES / SIMULATORS



## Standard Features

- Jumpers to enable trimming
- PreVent™ breather vent
- Conformal coated circuit board
- Number of cells: two, three or four single cells
- Expansion port

## Applications

- Floor, tank, hopper scales

## Specifications

### Cable Fittings:

- (4) PG7 0.118 to 0.255 in strain relief
- (2) PG11 0.197 to 0.394 in strain relief

### Rating/Material:

- NEMA Type 4X
- Stainless steel

### Connectors:

- Spring clamp screwless, 12 to 28 AWG

### Trimming:

- Individual cell, excitation trim

### Temperature:

- Operating: 0 °F to 122 °F (-18 °C to 50 °C)

### Potentiometers:

- 100 ohm, 25-turn cermet

### Circuit Board:

- 3.8 × 2.3 in, with conformal coating

### Warranty:

- One-year limited

### Approvals:

- cFMus

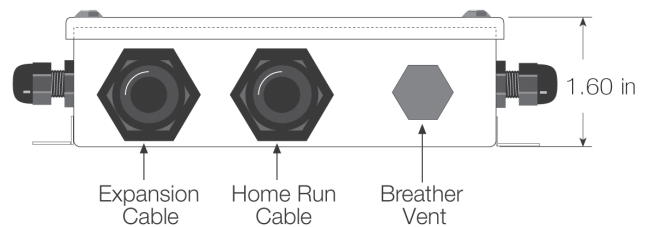
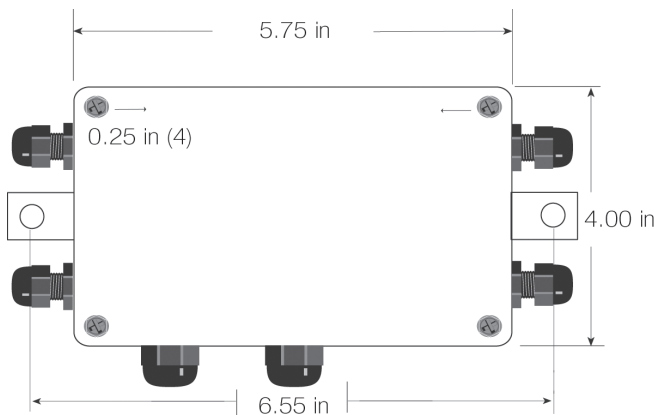
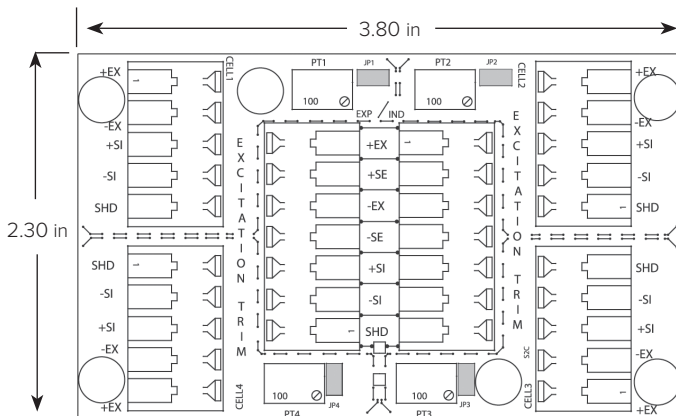
## Approvals



## Part Number/Price

Part #	Description	Price
91779	JB4ES excitation trim junction box	\$275.00
89446	Board only	\$170.00
165271	Enclosure only (includes cord grips and filter)	\$150.00

Note: Do not mix junction box models or use other brands of junction boxes with Rice Lake junction boxes. There is a risk of system instability.



JUNCTION BOXES / SIMULATORS

# JB4SP and JB4SPT

TuffSeal® Signal Trim Junction Box



## Approvals



PN 92762  
Not FM approved



## Standard Features

- Jumpers to enable/disable a load cell
- PreVent™ breather vent
- Conformal coated circuit board
- Number of cells: two, three or four single cells
- Expansion port

## Applications

- Tank and hopper scales

## Specifications

### Cable Fittings:

- (4) PG7 0.118 to 0.255 in strain relief
- (2) PG11 0.197 to 0.394 in strain relief

### Rating/Material:

- NEMA Type 4X
- Polycarbonate with overlapping solid cover,
- stainless steel screws

### Connectors:

- Spring clamp screwless, 12 to 28 AWG

### Trimming:

- Individual cell, signal trim

### Temperature:

- Operating:  
0 °F to 122 °F (-18 °C to 50 °C)

### Potentiometers:

- 100,000 ohm, 25-turn cermet

### Circuit Board:

- 3.8 × 2.3 in, with conformal coating

### Warranty:

- One-year limited

### Approvals:

- cFMus

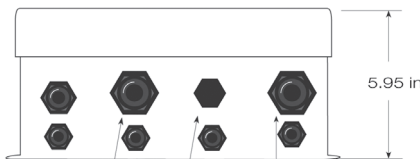
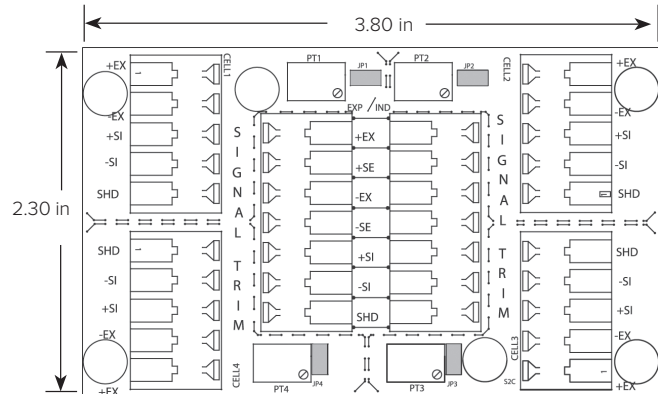
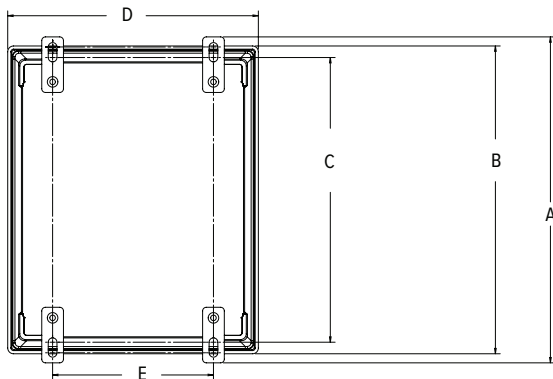
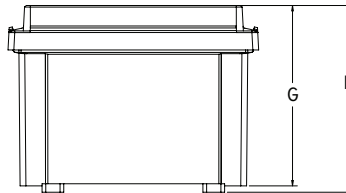
## Part Number/Price

Part #	Description	Price
91780	JB4SP signal trim four-channel with expansion	\$285.00
92762	JB4SPT signal trim with transient protection (not FM approved)	\$475.00
88958	Board only	\$175.00
89894	Transient board	\$235.00
165272	Enclosure only (does not include cord grips and filter)	\$145.00

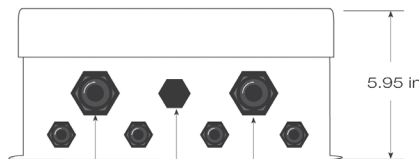
Note: Do not mix junction box models or use other brands of junction boxes with Rice Lake junction boxes. There is a risk of system instability.

## Dimensions

Enclosure			
A	10.04 in	E	4.00 in
B	9.52 in	F	5.95 in
C	8.50 in	G	5.71 in
D	7.43 in		



JB4SPT



JB4SP

JUNCTION BOXES / SIMULATORS



# JB4EP and JB4EPT

TuffSeal® Excitation Trim Junction Box

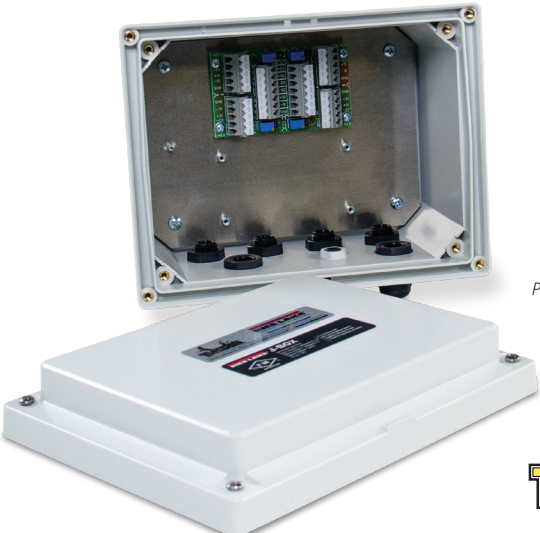


Photo of JB4EP

**Approvals**



**Standard Features**

- Jumpers to enable/disable a load cell
- PreVent™ breather vent
- Conformal coated circuit board
- Number of cells: two, three or four single cells
- Expansion port

**Applications**

- Tank and hopper scales

**Specifications**

**Cable Fittings:**  
 (4) PG7 0.118 to 0.255 in strain relief  
 (2) PG11 0.197 to 0.394 in strain relief

**Rating/Material:**  
 NEMA Type 4X  
 Polycarbonate with overlapping solid cover, stainless steel screws

**Connectors:**  
 Spring clamp screwless, 12 to 28 AWG

**Trimming:**  
 Individual cell, excitation trim

**Temperature:**  
 Operating:  
 0 °F to 122 °F (-18 °C to 50 °C)

**Potentiometers:**  
 100 ohm, 25-turn cermet

**Circuit Board:**  
 3.8 × 2.3 in, with conformal coating

**Warranty:**  
 One-year limited

**Approvals:**  
 cFMus

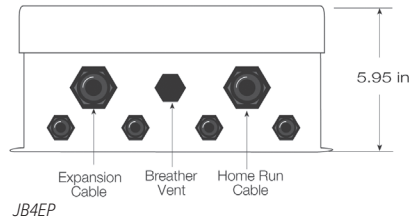
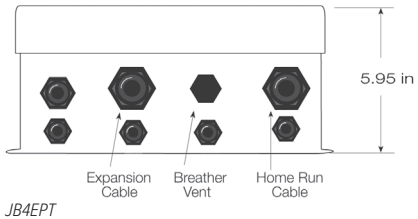
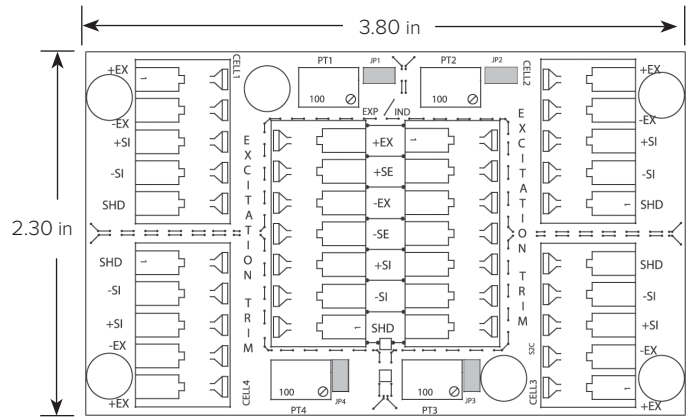
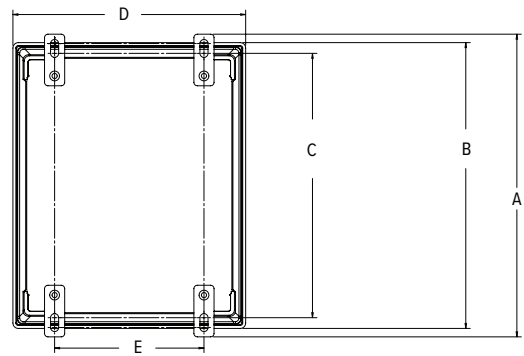
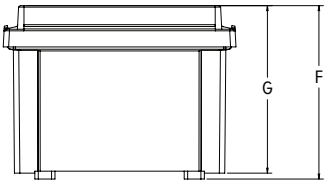
**Part Number/Price**

Part #	Description	Price
91781	JB4EP excitation trim junction box	\$285.00
92763	JB4EPT excitation trim junction box with transient protection	\$475.00
89446	Board only	\$170.00
89894	Transient board	\$235.00
165272	Enclosure only (does not include cord grips or filter)	\$145.00

*Note: Do not mix junction box models or use other brands of junction boxes with Rice Lake junction boxes. There is a risk of system instability.*

**Dimensions**

Enclosure			
A	10.04 in	E	4.00 in
B	9.52 in	F	5.95 in
C	8.50 in	G	5.71 in
D	7.43 in		

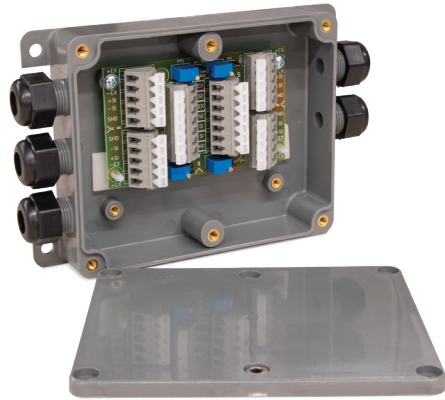


Load Cell Cord Grips on Bottom

JUNCTION BOXES / SIMULATORS

# EL204

Signal Trim Junction Box



## Standard Features

- ABS enclosure with molded-in cable fittings
- Number of cells: two, three or four single cells

## Applications

- Floor, hopper, tank or livestock applications

## Specifications

### Cable Fittings:

Five water tight nylon compression fittings, 0.210 × 0.280 in

### Enclosure:

ABS with molded through-fittings, sealed six-screw lid

### Connectors:

Spring clamp screwless, 12 to 28 AWG

### Trimming:

Individual cell, signal trim

### Temperature:

Operating: 0 °F to 122 °F (-18 °C to 50 °C)

### Potentiometers:

100,000 ohm, 25-turn cermet

### Circuit Board:

3.8 × 2.3 in, with conformal coating

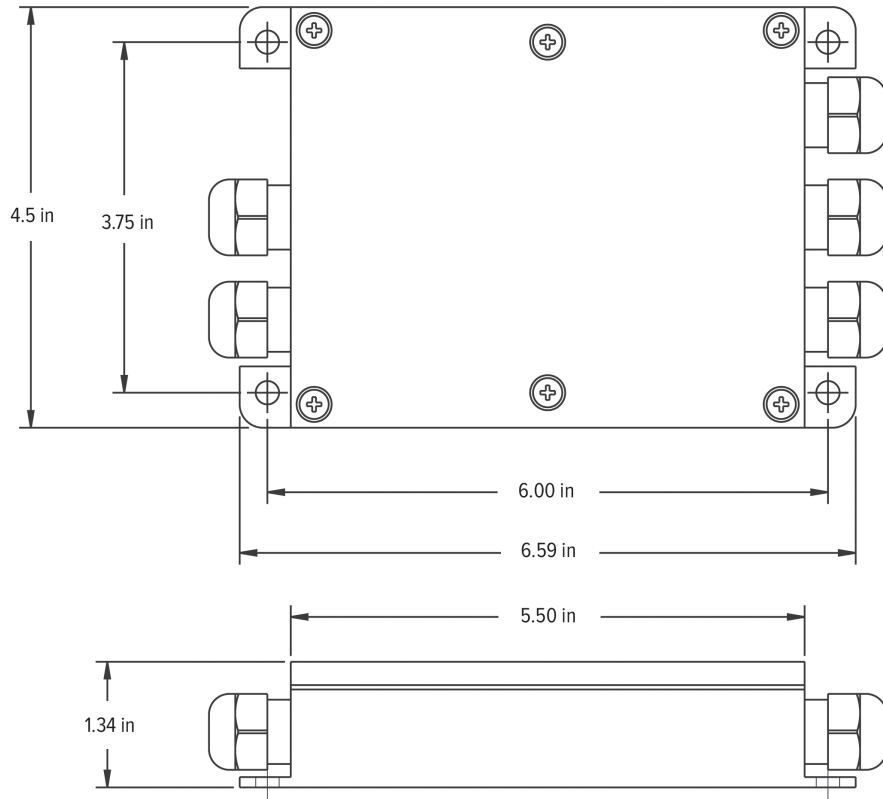
### Warranty:

One-year limited

## Part Number/Price

Part #	Description	Price
73428	EL204 junction box	\$225.00
88958	Board only	\$175.00

Note: Do not mix junction box models or use other brands of junction boxes with Rice Lake junction boxes. There is a risk of system instability.



JUNCTION BOXES /  
SIMULATORS



### Standard Features

- Strain relief cable fittings
- Removable connectors for easy wiring
- Number of cells: two or four single cells (even number of cells only)

### Applications

- Truck and floor scales
- Limited space installations

### Specifications

#### Cable Fittings:

Five nylon 0.187 to 0.312 in cable strain reliefs

#### Rating/Material:

NEMA Type 4X, 40 psi washdown  
Stainless steel

#### Connectors:

Electrovert 0.197 in (5.0 mm) miniature two piece connectors. Maximum wire size #14 AWG; connectors are removable for easy wiring.

#### Trimming:

Individual cell, signal trim

#### Temperature:

Operating:  
0 °F to 122 °F (-18 °C to 50 °C)

#### Potentiometers:

100,000 ohm, 25-turn cermet

#### Circuit Board:

6.5 × 1.5 in, with anti-fungal coating

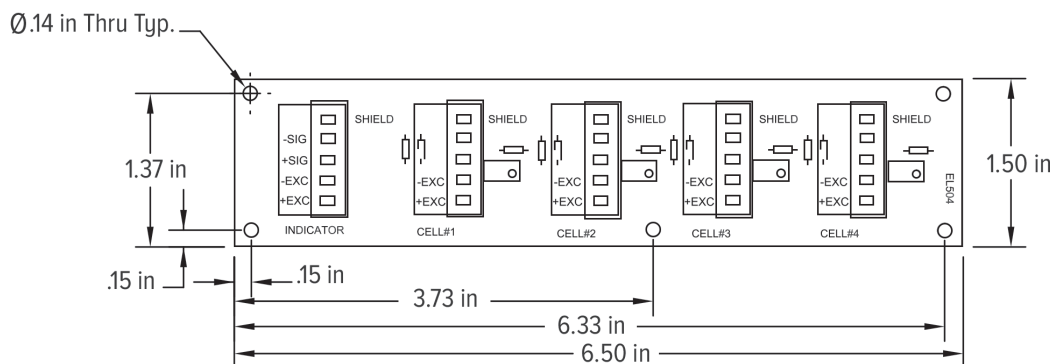
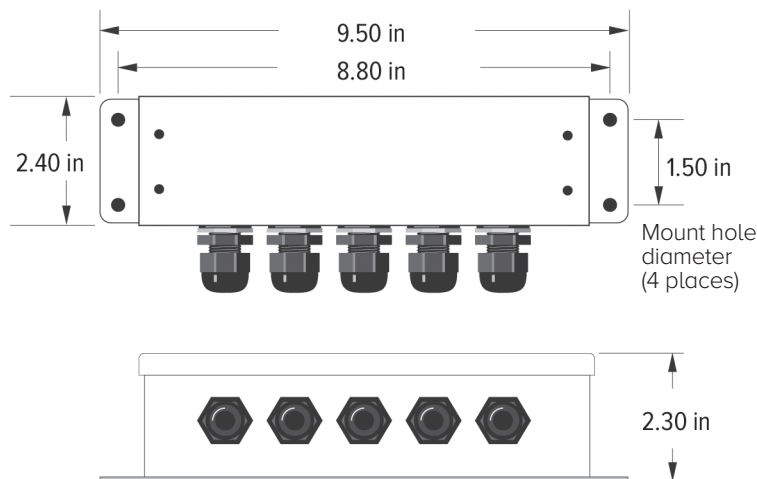
#### Warranty:

One-year limited

### Part Number/Price

Part #	Description	Price
21165	EL504 signal trim junction box	\$395.00
21296	Board only	\$275.00
165274	Enclosure only (includes cord grips and cover)	\$175.00

Note: Do not mix junction box models or use other brands of junction boxes with Rice Lake junction boxes. There is a risk of system instability. Any unused channels require modification.



# JB8SP

TuffSeal® Signal Trim Junction Box



## Approvals



## Part Number/Price

Part #	Description	Price
91782	JB8SP signal trim eight-channel with expansion	\$465.00
173807	JB8SP signal trim eight-channel with expansion, FM approved	\$495.00
89889	Board only	\$395.00
172415	Board only, FM approved	\$415.00
165273	Enclosure only (does not include cord grips and filter)	\$165.00

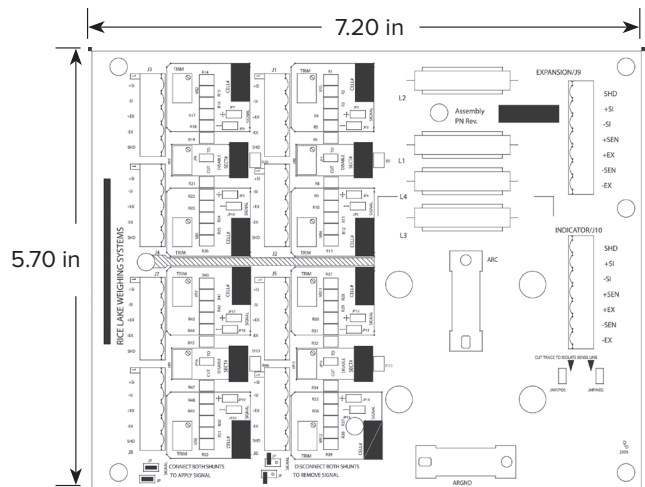
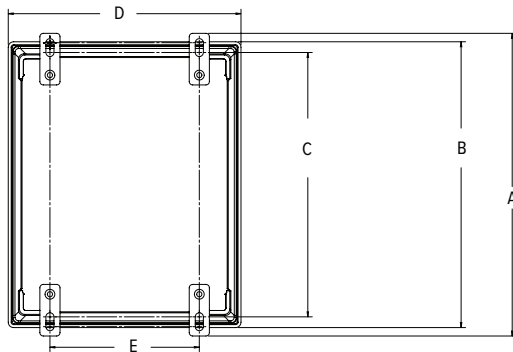
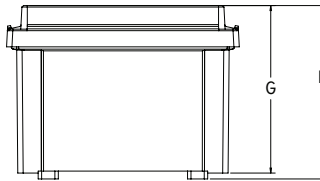
Note: Do not mix junction box models or use other brands of junction boxes with Rice Lake junction boxes. There is a risk of system instability.

## Options/Accessories

Part #	Description	Price
215178	Mounting tabs-new style (set of 4, includes screws), polycarbonate	\$15.00
92734	Coupling, 1/2-in NPT cord grip to 3/4-in NPT conduit fitting	\$27.00
92735	Coupling, 3/8-in NPT cord grip to 3/4-in NPT conduit fitting	\$27.00

## Dimensions

Enclosure			
A	12.13 in	E	9.32 in
B	11.45 in	F	5.98 in
C	11.38 in	G	6.95 in
D	10.59 in		



## Standard Features

- Polycarbonate, NEMA Type 4X enclosure
- PreVent™ breather vent
- Conformal coated circuit board
- Removable load cell connectors
- Section and individual cell trim capability
- Number of cells: two, four, six or eight single load cells (even number of cells only)
- Expansion port

## Applications

- Truck, livestock and railroad scales

## Specifications

### Cable Fittings:

- (9) 3/8 in NPT 0.157 to 0.314 in
- (2) 1/2 in NPT 0.272 to 0.472 in

### Rating/Material:

NEMA Type 4X  
Polycarbonate with overlapping solid cover, stainless steel screws

### Connectors:

Pluggable screw type, 12 to 28 AWG

### Trimming:

Individual cell, range trim

### Temperature:

Operating:  
0 °F to 122 °F (-18 °C to 50 °C)

### Potentiometers:

100,000 ohm, 25 turn cermet

### Circuit Board:

5.7 × 7.2 in with conformal coating

### Warranty:

One-year limited

### Approvals:

cFMus



## Standard Features

- Transient protection
- PreVent™ breather vent
- Conformal coated circuit board
- Removable load cell connectors
- Section and individual cell trim capability
- Field replaceable transient protection
- One coupling, 0.5 inch NPT cord grip to 0.75-inch NPT conduit fitting for homerun cable
- Number of cells: two, four, six or eight single load cells (even number of cells only)
- Expansion port

## Applications

- Truck, livestock and railroad scales

## Specifications

### Cable Fittings:

- (9) 3/8 in NPT 0.157 to 0.314 in
- (2) 1/2 in NPT 0.272 to 0.472 in

### Rating/Material:

NEMA Type 4X  
Polycarbonate with overlapping solid cover, stainless steel screws

### Connectors:

Pluggable screw type, 12 to 28 AWG

### Trimming:

Individual cell trim

### Temperature:

Operating:  
0 °F to 122 °F (-18 °C to 50 °C)

### Potentiometers:

100,000 ohm, 25-turn cermet

### Circuit Board:

5.7 × 7.2 in with conformal coating

### Warranty:

One-year limited

## Part Number/Price

Part #	Description	Price
91783	JB8SPT signal trim junction box with transient protection	\$700.00
89889	Board only	\$395.00
89894	Transient board	\$235.00
165273	Enclosure only (does not include cord grips and filter)	\$165.00

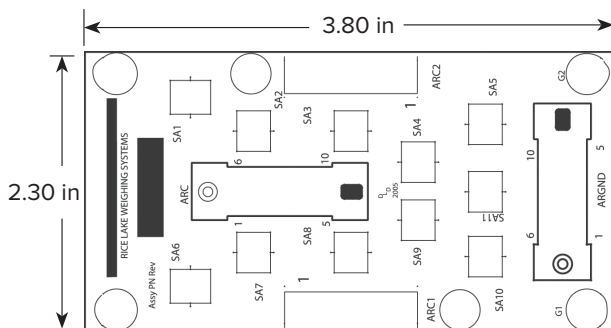
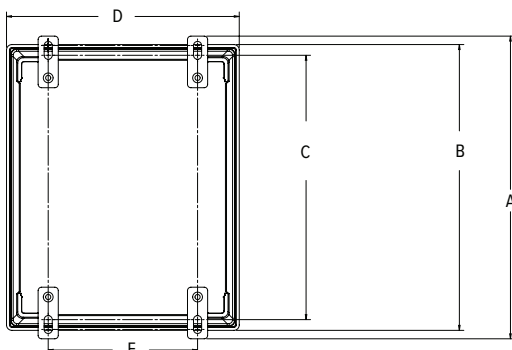
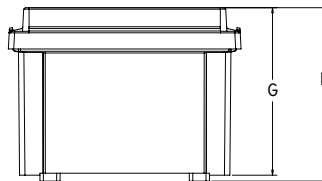
Note: Do not mix junction box models or use other brands of junction boxes with Rice Lake junction boxes. There is a risk of system instability.

## Options/Accessories

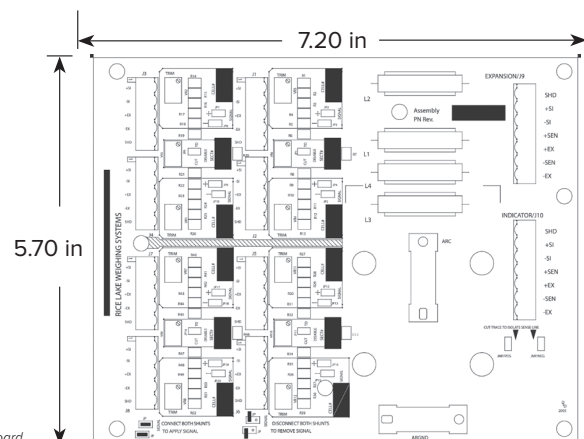
Part #	Description	Price
215178	Mounting tabs-new style (set of 4, includes screws), polycarbonate	\$15.00
92734	Coupling, 1/2-in NPT cord grip to 3/4-in NPT conduit fitting	\$27.00
92735	Coupling, 3/8-in NPT cord grip to 3/4-in NPT conduit fitting	\$27.00

## Dimensions

Enclosure			
A	12.13 in	E	9.32 in
B	11.45 in	F	5.98 in
C	11.38 in	G	6.95 in
D	10.59 in		



Transient Board

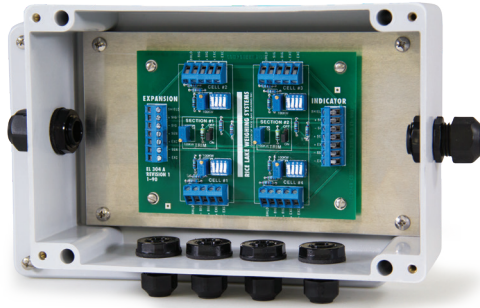


Load Cell Board

JUNCTION BOXES /  
SIMULATORS

# EL304A

Signal Trim Junction Box



## Part Number/Price

Part #	Description	Price
21169	EL304A signal trim four-channel junction box	\$325.00
21301	Board only	\$235.00
165275	Enclosure only (includes cord grips)	\$180.00

Note: Do not mix junction box models or use other brands of junction boxes with Rice Lake junction boxes. There is a risk of system instability.

## Standard Features

- Strain relief cable fittings
- Individual cell signal disconnect switches
- Number of cells: two or four single cells (even number of cells only)
- Corner and/or section trim applications
- Expansion port

## Applications

- Livestock scales, tank and vessel weighing

## Specifications

### Cable Fittings:

- Four nylon cable strain reliefs, 0.079 to 0.236 in
- Two nylon cable strain reliefs, 0.236 to 0.354 in

### Rating/Material:

- NEMA Type 4X, 40 psi washdown
- Fiberglass Reinforced Polyester (FRP)

### Connectors:

- Electrovert 0.197 in (5.0 mm) miniature screw terminals
- Maximum wire size #14 AWG

### Trimming:

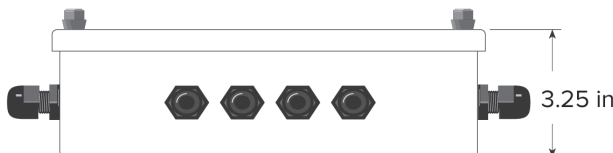
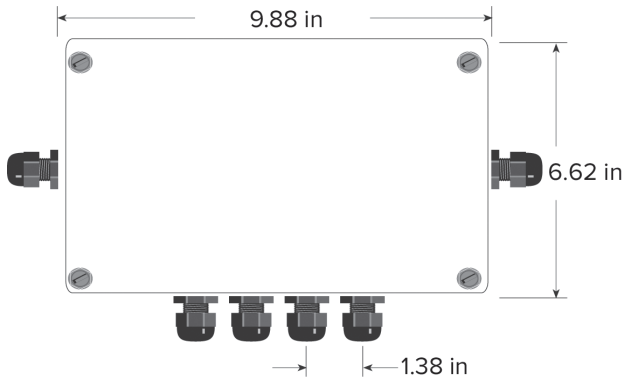
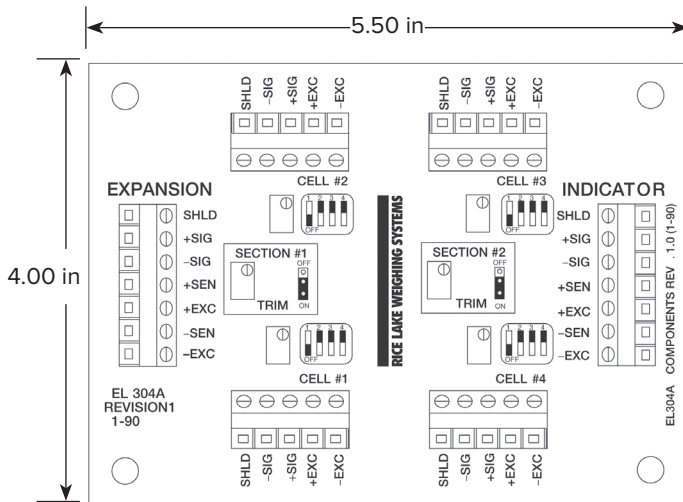
- Individual cell and section, signal trim

### Potentiometers:

- 100,000 ohm, 25-turn cermet

### Warranty:

- One-year limited



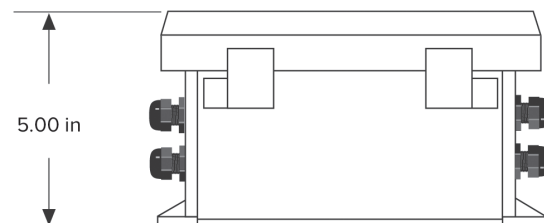
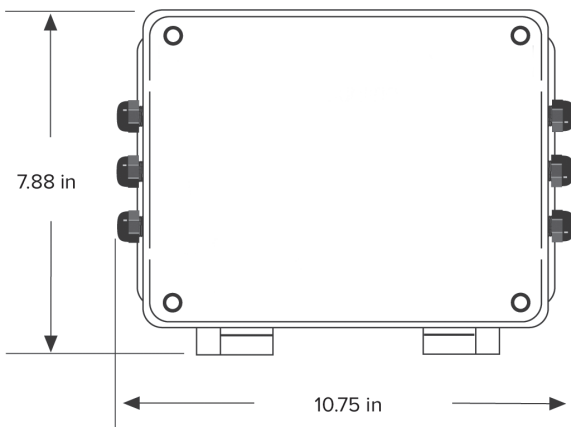
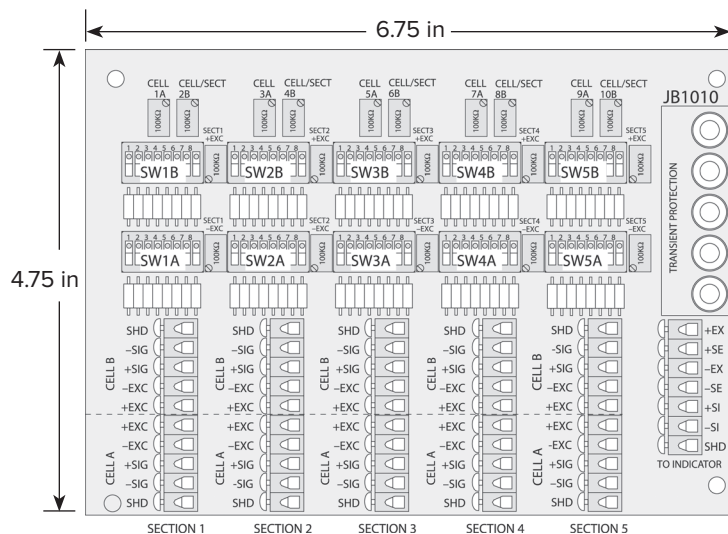
JUNCTION BOXES / SIMULATORS



### Part Number/Price

Part #	Description	Price
36231	JB1010 signal/excitation trim junction box	\$685.00
36351	Board only	\$475.00
165276	Enclosure only (includes cord grips)	\$275.00

Note: Do not mix junction box models or use other brands of junction boxes with Rice Lake junction boxes. There is a risk of system instability.



### Standard Features

- Transient protection
- Signal or excitation trim
- Front panel mounting
- Strain relief cable fittings
- Number of cells: 1 through 10
- Trims odd numbers of cells without modification

### Applications

- Tank, truck, railroad, hopper and floor scales
- Universal field replacement of existing boxes
- Expansion of existing scales

### Specifications

#### Cable Fittings:

Nylon waterproof strain-relief type

#### Rating/Material:

NEMA Type 4X

Fiberglass Reinforced Polyester (FRP)

#### Terminal Block:

Rated 300V/15A;

7-position screw terminal can each accommodate up to #16 AWG

#### Trimming:

Individual cell, section signal and excitation trim

#### Temperature:

Operating:

0 °F to 122 °F (-18 °C to 50 °C)

#### Potentiometers:

100,000 ohm, 25-turns cermet

#### Mounting Centers:

3.75 × 2.31 in (95.2 × 58.7 mm)

#### Cable Diameter:

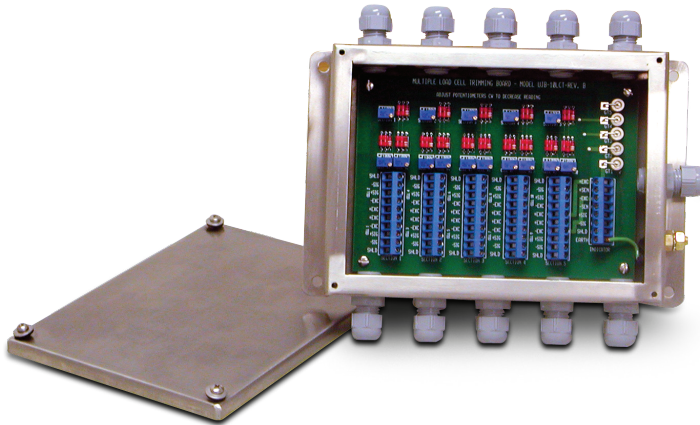
0.079 to 0.314 in

#### Warranty:

One-year limited

# JB1010ST

Signal Trim Junction Box



## Standard Features

- Transient protection using gas discharge tubes
- Stainless steel, NEMA Type 4X enclosure
- Section and individual cell trim capability
- Compact enclosure only 1.75 in deep
- Strain relief cable fitting
- Number of cells: two, four, six, eight or 10 single load cells
- Legal for Trade sealing screws, wire and seal included

## Applications

- Tank, truck and railroad scales
- Summing 10 load cells with individual and section trimming capability

## Specifications

### Cable Fittings:

Eleven nylon 0.079 to 0.314 in cable strain reliefs

### Rating/Material:

NEMA Type 4X  
Stainless steel

### Connectors:

Electrovert 0.197 miniature screw terminals  
Five positions  
Maximum wire size: #14 AWG  
External enclosure ground stud

### Trimming:

Individual cell and section signal trim

### Temperature:

Operating:  
0 °F to 122 °F (-18 °C to 50 °C)

### Potentiometers:

100,000 ohm, 25-turn cermet, individual trim  
100 ohm, for section trimming

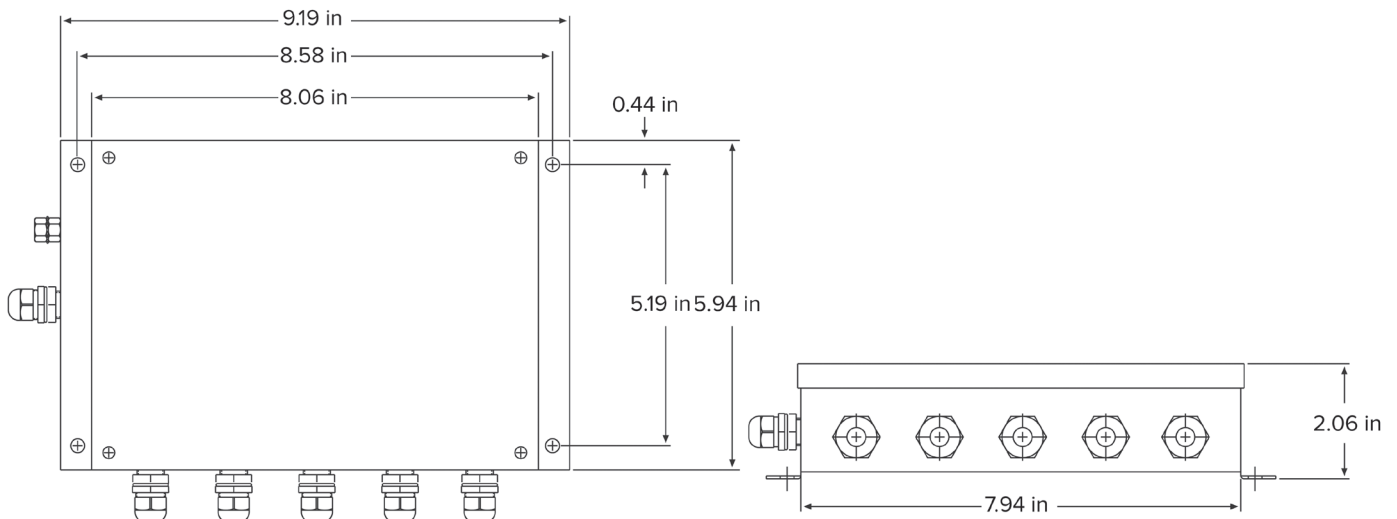
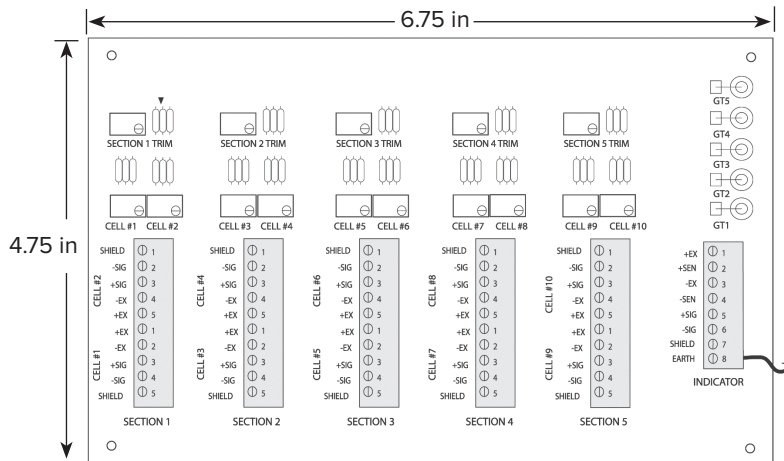
### Warranty:

One-year limited

## Part Number/Price

Part #	Description	Price
68813	JB1010ST signal trim junction box	\$615.00
68811	Board only	\$465.00
165277	Enclosure only (includes cord grips)	\$485.00

Note: Do not mix junction box models or use other brands of junction boxes with Rice Lake junction boxes. There is a risk of system instability. Any unused channels require modification.



JUNCTION BOXES / SIMULATORS



# Replacement Junction Boxes, Boards or Components

Model	Complete J-Box Replacement	Replacement Board Only	Replacement Cord Grips	Replacement Pressure & Condensation Vent	Desiccant Pack
JB4SS	<b>88956</b> \$275.00	<b>88958</b> \$175.00	<b>58983</b> =PG7, \$5.00 <b>59001</b> =PG11 \$3.70	<b>88733</b> PreVent™ breather (vent) \$22.00 <b>88734</b> (vent nut) \$1.05	<b>92240</b> \$1.17
JB4ES	<b>91779</b> \$275.00	<b>89446</b> \$170.00	<b>58983</b> =PG7, \$5.00 <b>59001</b> =PG11 \$3.70	<b>88733</b> PreVent™ breather (vent) \$22.00 <b>88734</b> (vent nut) \$1.05	<b>92240</b> \$1.17
JB4SP JB4SPT	<b>91780</b> \$285.00 <b>92762</b> \$475.00	<b>88958</b> (load cell) \$175.00 & <b>89894</b> (transient protection) \$235.00	<b>58983</b> =PG7, \$5.00 <b>59001</b> =PG11 \$3.70	<b>88733</b> PreVent™ breather (vent) \$22.00 <b>88734</b> (vent nut) \$1.05	<b>16039</b> \$2.23
JB4EP JB4EPT	<b>91781</b> \$285.00 <b>92763</b> \$475.00	<b>89446</b> (load cell) \$170.00 & <b>89894</b> (transient protection) \$235.00	<b>58983</b> =PG7, \$5.00 <b>59001</b> =PG11 \$3.70	<b>88733</b> PreVent™ breather (vent) \$22.00 <b>88734</b> (vent nut) \$1.05	<b>16039</b> \$2.23
EL204	<b>73428</b> \$225.00	<b>88958</b> \$175.00	N/A	N/A	N/A
JB8SP	<b>91782</b> \$465.00 <b>173807</b> FM approved \$495.00	<b>89889</b> \$395.00 <b>172415</b> FM approved \$415.00	<b>15655</b> (cord grip) \$2.10 & <b>15656</b> (nut) \$1.05 =3/8 in NPT <b>15628</b> (cord grip) \$5.00 & <b>15630</b> (nut) \$3.00 =1/2 in NPT	<b>88733</b> PreVent™ breather (vent) \$22.00 <b>88734</b> (vent nut) \$1.05	<b>16039</b> \$2.23
JB8SPT	<b>91783</b> \$700.00	<b>89889</b> (load cell) \$395.00 & <b>89894</b> (transient protection) \$235.00	<b>15655</b> (cord grip) \$2.10 & <b>15656</b> (nut) \$1.05 =3/8 in NPT <b>15628</b> (cord grip) \$5.00 & <b>15630</b> (nut) \$3.00 =1/2 in NPT	<b>88733</b> PreVent™ breather (vent) \$22.00 <b>88734</b> (vent nut) \$1.05	<b>16039</b> \$2.23
EL304A	<b>21169</b> \$325.00	<b>21301</b> \$235.00	N/A	N/A	N/A
JB1010	<b>36231</b> \$685.00	<b>36351</b> \$475.00	N/A	N/A	N/A
JB1010ST	<b>68813</b> \$615.00	<b>68811</b> \$465.00	N/A	N/A	N/A
EL210	<b>91781</b> , JB4EP* \$285.00	<b>92472</b> \$155.00	<b>58983</b> =PG7, \$5.00 <b>59001</b> =PG11 \$3.70	N/A	N/A
EL211A	<b>91780</b> , JB4SP* \$285.00 (However the board does not have section trim capabilities)	<b>92473</b> , \$160.00 (However the board does not have section trim capabilities)	<b>58983</b> =PG7, \$5.00 <b>59001</b> =PG11 \$3.70	N/A	N/A
EL604-AL	<b>88956</b> , JB4SS* \$275.00	<b>88958</b> \$175.00	<b>58983</b> =PG7, \$5.00 <b>59001</b> =PG11 \$3.70	N/A	N/A
EL604STA	<b>88956</b> , JB4SS* \$275.00	<b>88958</b> \$175.00	<b>58983</b> =PG7, \$5.00 <b>59001</b> =PG11 \$3.70	N/A	N/A
EL604ETA	<b>91779</b> , JB4ES* \$275.00	<b>89446</b> \$170.00	<b>58983</b> =PG7, \$5.00 <b>59001</b> =PG11 \$3.70	N/A	N/A
EL504	<b>21165</b> \$395.00	<b>21296</b> \$275.00	N/A	N/A	N/A
JB808S	<b>91782</b> , JB8SP* \$465.00	<b>92471</b> \$385.00	<b>15655</b> (cord grip) \$2.10 & <b>15656</b> (nut) \$1.05 =3/8 in NPT <b>15628</b> (cord grip) \$5.00 & <b>15630</b> (nut) \$3.00 =1/2 in NPT	N/A	N/A
JB818ST	<b>91783</b> , JB8SPT* \$700.00	Need (1) <b>77445</b> \$68.00 (1) <b>89889</b> \$395.00, & (1) <b>89894</b> \$235.00	<b>15655</b> (cord grip) \$2.10 & <b>15656</b> (nut) \$1.05 =3/8 in NPT <b>15628</b> (cord grip) \$5.00 & <b>15630</b> (nut) \$3.00 =1/2 in NPT	N/A	N/A

\*See catalog pages for enclosure dimensions

JUNCTION BOXES /  
SIMULATORS



### Approvals



Measurement  
Canada  
Approved



### Specifications

#### Voltage Input:

115/230 VAC power supply  
DC/DC converter for 9 to 36 V  
6 to 12 VDC to CPU

#### Analog Signal Input Range:

-78 to +78 mV

#### Analog Signal Sensitivity:

0.3 uV/grad at 30 Hz  
0.5 uV/grad at 100 Hz  
1.2 uV/grad at 500 Hz

#### A/D Sampling Rate:

2.5 to 500 Hz (selectable)

#### Digital I/O:

Four per card, for push-button operation,  
setpoint control or cell status

#### Communication Ports:

RS-232/RS-422

#### Load Cell Inputs:

Four channels per board  
up to four networked boards

#### Load Cell Excitation:

5 VDC, 57 mA maximum per channel

#### Rating/Material:

Polycarbonate (NEMA Type 4X) enclosure with  
overlapping solid cover, stainless steel screws  
Stainless steel (NEMA Type 4X) enclosure  
with hinged cover

#### Temperature:

Certified: 14 °F to 104 °F (-10 °C to 40 °C)  
Operating: -13 °F to 140 °F (-25 °C to 60 °C)

#### Warranty:

Two-year limited

#### Approvals:

NTEP 03-032A1  
Measurement Canada AM-5561  
cULus E151461  
CE Marked

### Standard Features

- iQUBE<sup>2</sup> board has four A/D channels
- Supports networking up to four boards, for 16 A/D channels; connection can be up to four separate platforms with a system total, or four separate scale systems
- Diagnostic routines for weighing errors and system health
- Cell tests for overloaded, underloaded, zero reference, drift, noise and unbalanced conditions
- Onboard status LEDs for communication and visual bi-color indication of cell health
- Cell emulator compensates for load cell failure until a repair can be made
- Cal-Match<sup>®</sup> algorithm automatically trims and calibrates the scale in one pass of test weights (stopping over each mount)
- Standard communications
- Option card slot for fiber optic, Ethernet TCP/IP, wireless TCP/IP, USB or RS-232/RS-485
- Communicates to 920i<sup>®</sup>, 1280, VIRTUj<sup>2</sup><sup>®</sup> using ASCII (EDP) serial commands

### Applications

- Truck and railroad scales
- Tank and hopper scales
- Multi-channel scales

### Part Number/Price

Part #	Description	Est. Weight	Price
<b>With AC Power Supply</b>			
108425*	iQUBE <sup>2</sup> , four-channel, polycarbonate 8 × 10 in junction box	9 lb	\$1,300.00
108426	iQUBE <sup>2</sup> , four-channel, polycarbonate 10 × 12 in junction box	11 lb	\$1,500.00
108427	iQUBE <sup>2</sup> , eight-channel, polycarbonate 10 × 12 in junction box	11 lb	\$2,500.00
108428*	iQUBE <sup>2</sup> , four-channel, stainless steel 8 × 10 in junction box	13 lb	\$2,450.00
<b>Without Power Supply</b>			
108429*	iQUBE <sup>2</sup> , four-channel, polycarbonate 8 × 10 in junction box	8 lb	\$1,200.00
108430	iQUBE <sup>2</sup> , four-channel, polycarbonate 10 × 12 in junction box	10 lb	\$1,400.00
108431	iQUBE <sup>2</sup> , eight-channel, polycarbonate 10 × 12 in junction box	10 lb	\$2,400.00
108432*	iQUBE <sup>2</sup> , four-channel, stainless steel 8 × 10 in junction box	12 lb	\$2,350.00
<b>Conduit Adapters</b>			
92734	Conduit adapter 3/8 in NTP to 3/4 in NPT		\$27.00
92735	Conduit adapter 1/2 in NTP to 3/4 in NPT		\$27.00

\* Enclosure size 8 × 10 in required for truck scale junction box pocket

Options/Accessories

Part #	Description	Price
108433	Four-channel iQUBE <sup>2</sup> board with cables and connectors	\$1,000.00
97475	DC/DC power supply, 9 to 36 VDC (requires factory installation)	\$255.00
108434	Remote power supply 115/230 VAC and transient board with enclosure	\$450.00
109396	Transient board	\$90.00
110949	Transient board with mount	\$110.00
161954	Hotspot in polycarbonate enclosure	\$3,195.00
215178	Mounting tabs-new style (set of 4, includes screws), polycarbonate	\$15.00
<b>Communication Card</b>		
108579	RS-232/RS-485 port	\$285.00
77142	Ethernet TCP/IP	\$545.00
206272	Wireless LAN 802.11 A/B	\$610.00
93245	USB port	\$225.00
77143	Fiber-optic board	\$220.00
77788	Fiber-optic board (installed in 920i)	\$220.00
<b>Duplex Fiber (Max Run 350 ft)</b>		
78026	Fiber-optic cable, 100 ft	\$175.00
78027	Fiber-optic cable, 200 ft	\$328.00
78910	Fiber-optic cable, custom length	\$1.75/ft
<b>Home Run Cable</b>		
116587	EL166 16 gauge, six conductor, shielded	\$2.65/ft
<b>Software</b>		
108436	VIRTUI <sup>2</sup> activation part number	\$550.00
112262	Firmware update flash cable	\$65.00
<b>920i® Indicators for use with iQUBE<sup>2</sup>, requires version 4 software</b>		
77790	920i Universal, 115 VAC, without A/D	\$3,195.00
77791	920i Universal, 230 VAC, without A/D	\$3,195.00
93243	920i Deep Universal, 115 VAC, without A/D	\$3,445.00
93244	920i Deep Universal, 230 VAC, without A/D	\$3,445.00
77792	920i Panel Mount, 115 VAC, without A/D	\$3,195.00
77793	920i Panel Mount, 230 VAC, without A/D	\$3,195.00
77794	920i Wall Mount, 115 VAC, without A/D	\$4,095.00
77795	920i Wall Mount, 230 VAC, without A/D	\$4,095.00
<b>1280 Indicators for use with iQUBE<sup>2</sup></b>		
189623	1280 7 inch touch-only, AC power supply, no power cord, standard display, without A/D	\$3,180.00
188526	1280 7 inch touch-only, AC power supply, no power cord, high visibility display, without A/D	\$3,280.00
188395	1280 12 inch touch-only, AC power supply, no power cord, high visibility display, without A/D	\$4,345.00
181073	1280 Panel Mount, DC power supply, no power cord, standard display, without A/D	\$3,180.00
178473	1280 Panel Mount, AC power supply, no power cord, high visibility display, without A/D	\$3,280.00
205677	1280 Wall Mount, AC power supply, U.S. power cord, standard display, without A/D	\$3,780.00
171667	1280 Wall Mount, AC power supply, U.S. power cord, high visibility display, without A/D	\$3,880.00
174750	1280 Panel Mount, AC power supply, no power cord, standard display, without A/D	\$3,180.00
174207	1280 Universal, AC power supply, Europe power cord, standard display, without A/D	\$3,380.00
171582	1280 Universal, AC power supply, U.S. power cord, standard display, without A/D	\$3,380.00
188713	1280 Universal, DC power supply, no power cord, standard display, without A/D	\$3,380.00
171540	1280 Universal, DC power supply, no power cord, high visibility display, without A/D	\$3,480.00
172419	1280 Universal, AC power supply, U.S. power cord, high visibility display, without A/D	\$3,480.00

JUNCTION BOXES / SIMULATORS



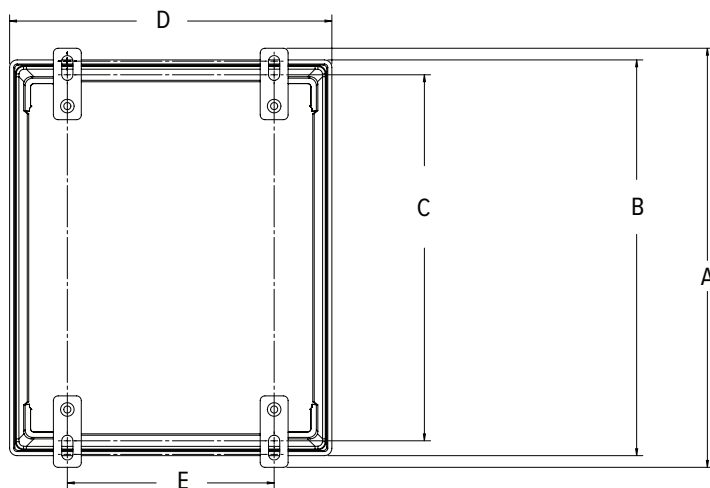
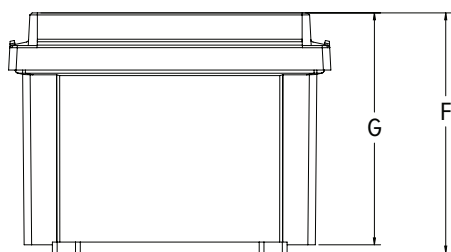
Fiber Optic Transceiver  
RS-232/RS-422/RS-485  
Ethernet TCP/IP  
Wireless Ethernet

Sample Configurations

Not an actual system—illustrates connectivity

### Dimensions

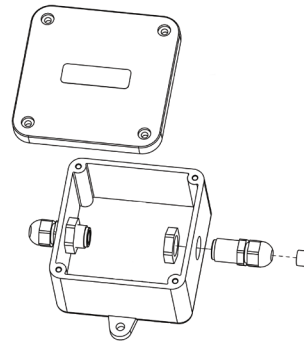
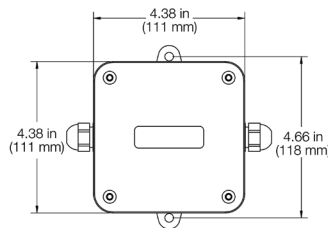
iQUBE <sup>2</sup>			
Stainless Steel 8 × 10 in			
A	11.50 in (292 mm)	E	6.00 in (152 mm)
B	10.30 in (262 mm)	F	4.30 in (109 mm)
C	10.90 in (277 mm)	G	4.20 in (107 mm)
D	8.30 in (211 mm)		
Polycarbonate 8 × 10 in			
A	10.10 in (257 mm)	E	4.00 in (102 mm)
B	9.50 in (241 mm)	F	6.00 in (152 mm)
C	8.50 to 9.30 in (216 to 236 mm)	G	5.70 in (145 mm)
D	7.40 in (188 mm)		
Polycarbonate 10 × 12 in			
A	12.10 in (307 mm)	E	6.00 in (152 mm)
B	11.50 in (292.1 mm)	F	7.00 in (178 mm)
C	10.50 to 11.30 in (267 to 287 mm)	G	6.70 in (170 mm)
D	9.30 in (236 mm)		





### Part Number/Price

Part #	Description	Price
21161	EL168 one-cell junction box	\$80.00



### Standard Features

- Non-metallic PVC enclosure with separate input and output cable fittings
- No soldering, compression or swaged fittings are required

### Applications

- For splicing or extending load cell cable

### Specifications

#### Dimensions:

(L × W × H)  
4.0 × 4.0 × 2.5 in

#### Temperature:

Operating:  
0 °F to 122 °F (-18 °C to 50 °C)

#### Cable Fittings:

Nylon waterproof strain-relief type

#### Cable Diameter:

0.079 to 0.314 in (2 to 8 mm)

#### Terminal Block:

Rated 300 V/15 A; seven-position, screw terminal can each accommodate up to #16 AWG

#### Warranty:

One-year limited

# TP75 DC

## Transient Protection



### Standard Features

- Protects load cells and indicators from voltage transients
- Avalanche diode design
- Full six-wire with shield protection
- NEMA Type 4X enclosure
- Unlimited number of parallel load cells; up to eight in series
- Terminal lugs provided

### Applications

- Tank, bin and hopper scales
- Truck and railroad scales
- Suitable for outdoor use

### Part Number/Price

Part #	Description	Price
33185	TP75 DC transient protection	\$335.00

### Options/Accessories

Part #	Description	Price
31164	Circuit board only	\$260.00

### Specifications

#### Protection Type:

Six-wire type with separate shield

#### Maximum Excitation Voltage:

22.8 VDC

#### Response Time:

Five nanoseconds

#### Peak Surge Currents:

100 amps

#### Grounding:

10 AWG wire or larger (not provided)

#### Cable Fitting:

(2) Nylon strain relief for 0.187 to 0.312 in diameter cable

#### Enclosure:

Impact-resistant polycarbonate NEMA Type 4X, maximum 40 psi washdown

#### Temperature:

Operating:  
-4 °F to 149 °F (-20 °C to 65 °C)

#### Dimensions:

(L × W × H)  
3.16 × 2.20 × 1.18 in

#### Warranty:

One-year limited

# UJB3T6 DC

Transient Protection



## Standard Features

- Protects load cells from voltage transients
- Compatible with signals down to 1  $\mu$ V per grad
- Factory serviceable
- Full six-wire with shield protection
- #6 SEMS screw type; accepts spade lugs, tinned leads or bare wires up to #12 AWG
- Up to eight parallel or summed load cells

## Applications

- Installations exposed to significant transients
- Protects serial communication lines
- Protects load cells

## Specifications

### Protection Type:

Six-wire type with separate shield

### Maximum Excitation Voltage:

20 VDC or 20 VAC

### Clamping Voltage:

75 VDC or 75 VAC

### Clamping Time:

75 VDC Stages <100 nanoseconds typical

### Peak Surge Currents:

75 VDC Stage, 5,000 amps

### Maximum Serial Transmission Rate:

50K baud

### Series Resistance:

0.219 ohm typical

### Series Inductance:

110  $\mu$ H typical

### Grounding:

20 ft insulated #10 AWG wire

### Cable Fitting:

(2) Nylon strain relief for 0.079 to 0.236 in diameter cable

### Enclosure:

NEMA Type 4X, maximum 40 psi washdown  
Fiberglass Reinforced Polyester (FRP)

### Temperature:

Operating:  
4 °F to 104 °F (-10 °C to 40 °C)

### Circuit Board:

6.75  $\times$  4.75 in with anti-fungal coating

### Dimensions:

(L  $\times$  W  $\times$  H)  
7.63  $\times$  6.63  $\times$  3.25 in

### Warranty:

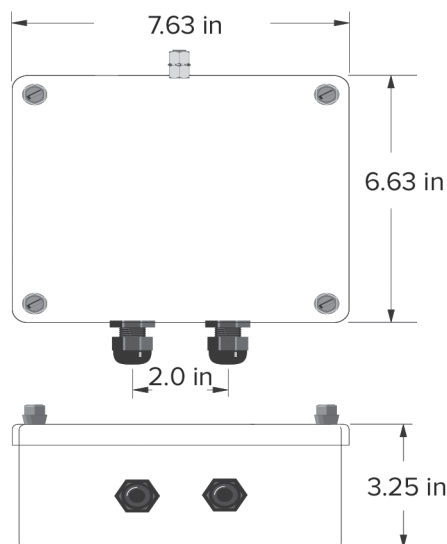
One-year limited

## Part Number/Price

Part #	Description	Price
21134	UJB3T6	\$495.00

## Options/Accessories

Part #	Description	Price
21135	Six-wire load cell transient protector, board only	\$285.00



JUNCTION BOXES /  
SIMULATORS

# TP232

High Energy RS-232 Serial Protection



## Standard Features

- Two metal mounting brackets
- Three stages of protection: Gas discharge tube, series resistor and transient voltage suppressor (TVS)
- Two terminal posts for ground
- RS-232 high energy surge protector
- Terminal blocks for transmit, receive, request to send, clear to send and signal ground
- Safe for use with computers and PLCs
- Also works with RS-485, RS-422 and 20 mA

## Applications

- Indicators
- Remote displays
- Printers
- Computers
- PLC

## Specifications

- Clamping Voltage (Stage One):**  
72 VDC minimum, 108 VDC maximum
- Series Resistance (Stage Two):**  
2.7 ohm
- Clamping Voltage (Stage Three):**  
14.3 V minimum, 15.7 V maximum
- Clamping Time:**  
Less than 5 < 10-9 seconds
- Temperature:**  
Operating:  
0 °F to 122 °F (-18 °C to 50 °C)
- Connectors:**  
Five-position terminal blocks
- Dimensions:**  
(L × W × H)  
Approximately 4.5 × 3.3 × 1.8 in
- Warranty:**  
One-year limited
- Approvals:**  
CE

Approvals



## Part Number/Price

Part #	Description	Price
69201	TP232	\$187.00

## Options/Accessories

Part #	Description	Price
17778	12 in ground strap	\$22.00
17781	24 in ground strap	\$22.00
69516	Additional installation manual	\$6.00

# Ranger 1

Variable Range Simulator



## Standard Features

- ABS plastic case, weighs less than 1 lb
- Large vernier knob, smooth 10-turn potentiometer
- Ideal tool for troubleshooting a scale system, bench testing stability of indicators and setpoint simulation

## Specifications

- Variable Range:**  
0 to 3 mV/V
- Impedance:**  
700 ohm nominal
- Temperature:**  
Operating:  
0 °F to 122 °F (-18 °C to 50 °C)
- Connectors:**  
Binding posts suitable for banana plug or 14 gauge wire
- Temperature Coefficient:**  
±100 ppm/°C
- Dimensions:**  
(L × W × H)  
4.5 × 3.5 × 1.25 in  
(114 × 89 × 32 mm)
- Warranty:**  
One-year limited

## Part Number/Price

Part #	Description	Price
68029	Ranger 1 variable range simulator	\$160.00

## Options/Accessories

Part #	Description	Price
21116	Cable (4 ft) with banana plugs	\$68.00

JUNCTION BOXES /  
SIMULATORS

# Ranger 3

Variable Range Simulator



## Standard Features

- ABS plastic case, weighs less than 1 lb
- Fixed rotary switch, -0.5 mV/V to 4.5 mV/V in nine steps of 0.5 mV/V per step
- Ideal tool for calibrating the indicator A/D offset and gain setting
- A/D calibration steps for -0.5 mV/V for offset and 4.5 mV/V for gain
- Used in troubleshooting and testing of systems

## Specifications

**Range:**  
-0.5 mV/V to 4.5 mV/V

**Impedance:**  
350 ohm nominal

**Nonlinearity:**  
Less than 0.02%

**Connectors:**  
Binding posts suitable for banana plug or 14-gauge wire

**Temperature Coefficient:**  
±5 ppm/°C

**Dimensions:**  
(L × W × H)  
4.5 × 3.5 × 1.25 in

**Warranty:**  
One-year limited

## Part Number/Price

Part #	Description	Price
68030	Ranger 3 simulator	\$425.00

## Options/Accessories

Part #	Description	Price
21116	Cable (4 ft) with banana plugs	\$68.00

# Transducer Simulator 4



## Standard Features

- Designed for high accuracy
- Sealed lid with neoprene O-ring
- Dustproof and crush tested to 500 lb
- Four operational modes include: vernier adjustment, calibrated adjustment, 0.25 mV/V offset and 0.50 mV/V offset
- Ideal for setpoint or batching simulation

## Specifications

**Range:**  
Choose any fixed setting ± 0.25 mV or 0.50 mV through a 10-turn wire-wound potentiometer with locking clutch, fixed and variable

**Maximum Voltage:**  
15 V

**Linearity:**  
Less than ± 0.02% full scale

**Temperature Coefficient:**  
Absolute 5 ppm/°C; tracking less than 0.5 ppm/°C

**Load Factors:**  
Simulates one, two, three, four or eight 350 ohm load cells; or two, four, six, eight or 16 700 ohm load cells

**Offset:**  
+0.25 mV/V for use with digitally calibrated meters requiring positive dead load for calibration

**Connectors:**  
Binding posts, suitable for loose wires or banana jacks

**Warranty:**  
One-year limited

## Part Number/Price

Part #	Description	Price
22513	Transducer simulator 4	\$835.00

## Options/Accessories

Part #	Description	Price
21116	Cable (4 ft) with banana plugs	\$68.00



# Ranger 5

Variable Range Simulator



## Standard Features

- ABS plastic case, weighs less than 1 lb
- Fixed rotary switch, -0.5 mV/V to 4.5 mV/V in nine steps of 0.5 mV/V per step
- 10-turn vernier knob with locking graduated dial
- Vernier selection of four ranges: Off, Fine, Medium and Coarse
- Ideal tool for calibrating indicator A/D offset and gain setting
- A/D calibration steps for -0.5 mV/V for offset and 4.5 mV/V for gain
- Used in testing, troubleshooting and calibrating digital weight indicator

## Specifications

- Fixed Steps:**  
-0.5 mV/V to 4.5 mV/V
- Vernier:**  
Variable range: up to 0.5 mV/V, up to 1 mV/V, up to 1.5 mV/V
- Impedance:**  
350 ohm nominal
- Nonlinearity:**  
Less than 0.02%
- Connectors:**  
Binding posts suitable for banana plug or 14 gauge wire
- Temperature Coefficient:**  
± 5 ppm/ °C
- Dimensions:**  
(L × W × H)  
4.5 × 3.5 × 1.25 in
- Warranty:**  
One-year limited

## Part Number/Price

Part #	Description	Price
68031	Ranger 5 simulator	\$510.00

## Options/Accessories

Part #	Description	Price
21116	Cable (4 ft) with banana plugs	\$68.00

# Ranger 7

Variable Range Simulator



## Standard Features

- High resolution design
- Used in high precision testing, troubleshooting and calibrating digital weight indicators
- Switchable offset
- Painted die-cast enclosure

## Specifications

- Vernier:**  
Two ranges; one is equal to the sum of the 0.05 mV/V switch and the 0 to 0.5 mV/V switch. The other is the sum of the 0.5 mV/V, 0.1 mV/V and 0.01 mV/V switches.
- Load Impedance:**  
Three settings:  
X0.5: 700 ohm  
X1: 350 ohm (one standard load cell)  
X4: 87.5 ohm (four load cell platform)
- Linearity:**  
± 0.01% + 1µV
- Connectors:**  
Low Thermal Electronics, Type 2758 precision gold plated binding posts, standard banana jacks or 14 AWG wire
- Temperature Coefficient:**  
5 ppm/ °C
- Zero Offset:**  
± 0.0005 mV/V
- Output Range:**  
0 to 3 mV/V in 0.01 mV/V steps
- LED Annunciators:**  
EXC +  
EXC -  
Offset ON  
0.5 mV/V  
0.1 mV/V
- Warranty:**  
One-year limited

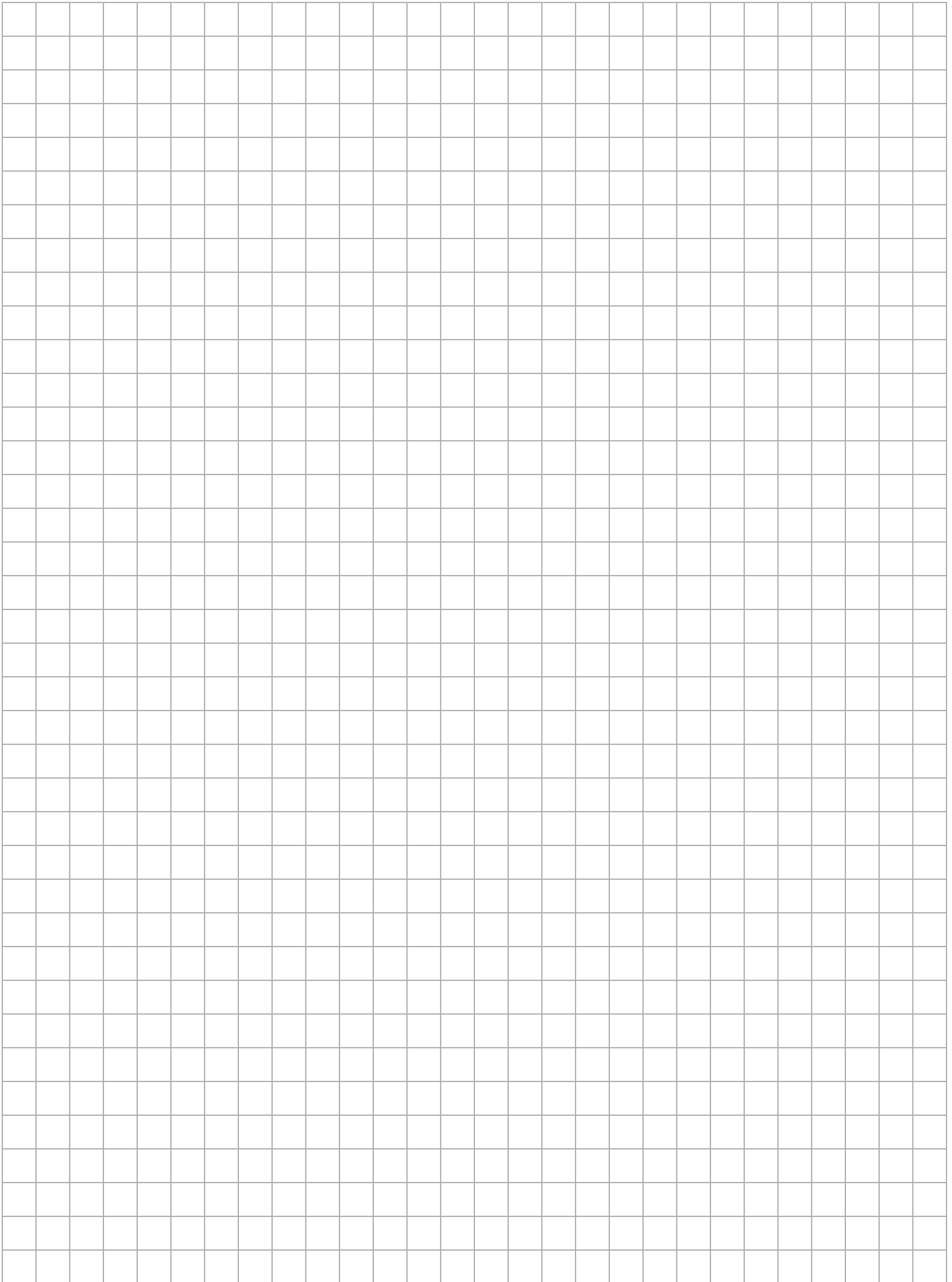
## Part Number/Price

Part #	Description	Price
157323	Ranger 7 high resolution calibration simulator	\$995.00

## Options/Accessories

Part #	Description	Price
21116	Cable (4 ft) with banana plugs	\$68.00

JUNCTION BOXES / SIMULATORS



# You Call. We Answer.

2 4 / 7 / 3 6 5

# Every Time.

Your service doesn't stop when the office is closed, and neither does ours—call us anytime to speak with an industry expert. Rice Lake's on-call team is ready to answer questions and provide technical support, even on nights, weekends and holidays when our office is closed.

### Emergency Contact Information

Call 800-472-6703 and press 1 to reach on-call personnel outside of our normal business hours.

**No challenge is too big or too small.  
When you need support, rely on Rice Lake.**



800-472-6703 | [prodinfo@ricelake.com](mailto:prodinfo@ricelake.com)  
[www.ricelake.com](http://www.ricelake.com)

# Wiring Guide

Easily verify which wire colors represent excitation, signal, sense and shield lines for a range of load cell brands and models.

MANUFACTURER	MODELS	EXCITATION		SIGNAL		SENSE		SHIELD	
		+	-	+	-	+	-		
ARTECH	Standard color code listed, other combinations may be available	● Red	● Black	● Green	○ White	X	X	● Bare	
CARDINAL	CB6, SCA, LFB, SB, SP	● Green	● Black	● Red	○ White	X	X	● Bare	
	DB, TSP, TB HBB	● Red	● Black	● Green	○ White	X	X	● Bare	
COTI GLOBAL	Standard color code listed, other combinations may be available	● Green	● Black	○ White	● Red	● Brown	● Yellow	● Yellow	
DILLON	Canister Cell, Tension	● Green	○ White	● Black	● Red	X	X	● Orange	
	Compression Z-Cell	○ White	● Green	● Black	● Red	X	X	● Orange	
FLINTEC	PC1, PC6, RC1, SB4, SB5, SB6, SB14, SLB, UB1, UB6, SB10, PB, PCB, BK2, RC3, PC3	● Green	● Black	○ White	● Red	X	X	● Yellow	
	PC2, PC7, PC4	● Green	● Black	○ White	● Red	● Blue	● Brown	● Yellow	
HBK	BLC, BLF, JRT, PWS, RSC, SBF, SB3, USB, U1T, H35, THC, BBS, PWS	● Green	● Black	○ White	● Red	X	X	● Yellow	
	PLC, B35, A35, S35	● Red	● Black	● Green	○ White	X	X	● Yellow	
	SP10, PWSM	● Green	● Black	○ White	● Red	● Orange	● Blue	● Yellow	
	PW12, PW16, C16A, PW15, Z6, SP4, SP4M PW15AH	● Blue	● Black	○ White	● Red	● Green	○ Grey	● Bare	
INTERFACE	SSM, 1200, 3200	● Red	● Black	● Green	○ White	X	X	● Bare	
	SML, WMC Miniature	● Red	● Black	○ White	● Green	X	X	● Bare	
RICE LAKE WEIGHING SYSTEMS	RL20000I, RL20000SS, RL20000ST, RL20001, RL20001HE, RLETS, RL30000I, RL32019S-HE, RL32018, RL32018 MLC Coated, RL32018S, RL32018S-HE, RL30002, RL35023, RL35023S MLC Coated, RL35082, RL35083, RL39123, RL39523, RL50210, RL72020, RL72020SS, RL72020 MLC Coated, RL75016SS-W, RL75058-LP, RL75058S-LP, RL50210SS, RL70000, RL75016, RL75016 MLC Coated, RL75016SS, RL75040, RL75058I, RL75060S, RL75223, RL77032, RL77032 MLC Coated, RL77032SS, RL77032SS-HE, RL90000, RLETB, RLHSS, RLMK4, RL75016WHE, RL60040SST, RLS3030, RLS1000, RL70000SS, RL71000HE, RL32218S-HE, RL32018S-P, RL50219SS, RL72019SS	● Red	● Black	● Green	○ White	X	X	● Bare	
	RLDB50000S, RL2200, RL2200SS	● Red	● Black	○ White	● Green	X	X	● Bare	
	RLMK15, RLMK21, RL72010MH	● Red	● Black	● Green	○ White	X	X	● Orange	
	RLMK1	● Red	● Black	○ White	● Green	● Yellow	● Blue	● Orange	
	RL1521A, RLFLS, RL32022, RL32022S	● Green	● Black	● Red	○ White	X	X	● Bare	
	RL40BBS, RLBLC, RLSB2, RLSB2L, RLSB2M, RLSB2MLW, RLSB250, RLSB250T, RLSSB, RL9000TWM, RL9000TWM-HT, RL75114, RLSCA, RLBLP, RL32011WB-L, RL32011WB-T, RL2010, RL32018-T, RL32018S-T	● Green	● Black	○ White	● Red	X	X	● Bare	
	RL8C2P1SST, RL CSP1, RL75000SS	● Green	● Black	○ White	● Red	X	X	● Orange	
	RL1380, RL1385, RLH35, RL30745, RL70510, RL80453, RLPC6, RLPC3SS	● Green	● Black	○ White	● Red	X	X	● Yellow	
	RL1010, RL1040, RL1042, RL1140, RL1250, RL1260, RLPWM12, RLPWM16	● Green	● Black	● Red	○ White	● Blue	● Brown	● Bare	
	RLSP4	● Green	● Black	● Red	○ White	● Blue	● Brown	● Yellow	
	RLPCB-60, RLPC4SS-HE	● Green	● Black	○ White	● Red	● Blue	● Brown	● Yellow	
	RLHBB, RLHTO, RLPWM15HE, RLPWM15	● Blue	● Black	○ White	● Red	● Green	○ Grey	● Bare	
	RL9018SS	● Blue	● Black	○ White	● Red	● Green	○ Yellow	● Bare	
	RL32155	○ White	● Blue	● Green	● Black	● Yellow	● Red	● Orange	
	RL42018A, RL1218A, RL260FD, RL26018A, RL82021	● Green	● Black	● Red	○ White	● Blue	● Yellow	● Bare	
	VPG BLH	C2P1, C3P1, T2P1, T3P1	● Green	● Black	○ White	● Red	X	X	● Yellow
	VPG CELTRON	PSD, SEB, LCD, CSB, DSR, DSR-HSS, LOC, SQB, SQB-HSS, STC, STC SS, LPS, STC-HSS, CLB, DLB, HTC SS, MBB, MDB, HOC	● Red	● Black	● Green	○ White	X	X	● Bare
VPG REVERSE	62U, 63U, 363, 953, 9523, 9363, 92, 93, 42U, 43U, 263D, 462, 5102, 5103, 5123, 5223, 5723, 6762, 9102, 9103, 9123, 9523, 9223, 9803, 9323, 9423	● Red	● Black	● Green	○ White	X	X	● Bare	
	392B, 642, 652, 692B, BSP, HPS, HPSM, USP1, 792, 933, ASC, CP, CSP, SHB, SSB	● Green	● Black	○ White	● Red	X	X	● Bare	
	RLC ACB	● Pink	○ Grey	● Brown	○ White	X	X	● Bare	
VPG SENSORTRONICS	60001, 60008, 60018, 60030, 60036, 60040, 60048, 60048SS, 60050, 60051, 60060, 60063, 65007, 65016, 65016A, 65016SS, 65016W, 65016WH, 65023A, 65023S, 65023SS, 65024, 65040A, 65040S, 65058A, 65058S, 65061A, 65083, 65083S, 65114	● Red	● Black	● Green	○ White	X	X	● Bare	
	60007, 60064	● Green	● Black	○ White	● Red	X	X	● Bare	
	65088	● Green	● Black	○ White	● Red	X	X	● Orange	
VPG TEDEA-HUNTLEIGH	4158	● Red	● Black	● Green	○ White	X	X	● Bare	
	3411, 3421	● Red	● Black	● Green	○ White	● Blue	● Brown	● Bare	
	120, 240, 1010, 1015, 1040, 1042, 1140, 1142, 1250, 1260, 1320, 605, 1030, 1240, 1241, 9010, 1130, 1030, 1510, 1260S	● Green	● Black	● Red	○ White	● Blue	● Brown	● Bare	
	220, 355, 620, 3510 1263, 380, 1022	● Blue	● Black	○ White	● Red	● Green	○ Grey	● Bare	
		● Green	● Black	● Red	○ White	X	X	● Bare	

## Emergency Contact Information

Call 800-472-6703 and press 1 to reach on-call personnel outside of our normal business hours.

## Extended Business Hours

Monday through Friday from 6:30 a.m. to 6:30 p.m.  
Saturday from 8:00 a.m. to 12:00 p.m. Central Time



## CORPORATE OFFICE

230 W. Coleman Street, Rice Lake, WI 54868 USA  
USA: 800-472-6703 | Direct: 715-234-9171 | Fax: 715-234-6967  
Canada and Mexico: +1-800-321-6703 | Europe: +39 0536 843418  
China: +86 21 66314055 | International Direct: +1-715-234-9171