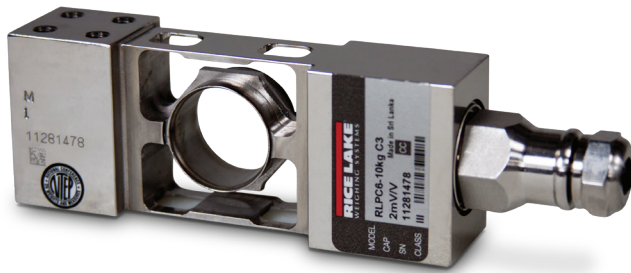


SINGLE POINT  
**RLPC6**

Stainless Steel, Hermetically Sealed, NTEP Certified 1:5,000 Class III Single Cell, IP69K



Picture is a representation of actual product.

Approvals

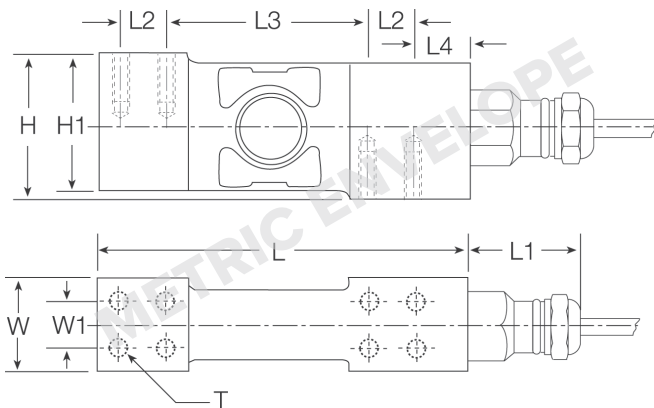


Order Information

Load Rating	Part #	Est. Weight	Price
10 kg	87027	3 lb	Consult
20 kg	87028	3 lb	Consult
50 kg	87029	3 lb	Consult
100 kg	87030	3 lb	Consult
200 kg	87031	3 lb	Consult

Dimensions

Rated Capacity	H	H1	L	L1	L2	L3	L4	W	W1	T
kg/mm										
10 to 200	48.0	45.5	123.0	41.0	15.2	67.6	17.8	30.1	15.2	8 x M6/15 DP



**Interchangeable Products**

FLINTEC®  
PC6 ..... page 218

**Specifications**

- Full Scale Output:**  
2.0 mV/V
- Output Resistance:**  
960 (± 50) ohm, nominal
- Input Resistance:**  
1,100 (± 50) ohm
- Material/Finish:**  
Stainless steel
- Temperature:**  
Compensated:  
14 °F to 104 °F (-10 °C to 40 °C)  
Operating:  
0 °F to 150 °F (-18 °C to 65 °C)
- Seal Type:**  
Hermetically sealed, IP69K
- Safe Overload:**  
200% full scale
- Safe Sideload:**  
100% full scale
- Rated Excitation:**  
5 to 10 VDC
- Combined Error:**  
0.02% full scale
- Insulation Resistance:**  
5,000 megohm
- Cable Length:**  
10 ft
- Cable Diameter:**  
0.196 in  
Polyurethane jacket
- Deflection at Capacity:**  
0.006 to 0.010 in
- Cable Color Code:**  
Green +Excitation  
Black -Excitation  
White +Signal  
Red -Signal  
Yellow Shield
- Max Platform Size:**  
24 × 24 in
- Warranty:**  
Two-year limited
- Approvals:**  
FM  
NTEP 06-011

RICE LAKE  
LOAD CELLS