

FlexWeigh System 102

*Automatic Fill, Automatic Discharge Filler
Version 1*

Operation Manual



© Rice Lake Weighing Systems. All rights reserved.

Rice Lake Weighing Systems® is a registered trademark of
Rice Lake Weighing Systems.

All other brand or product names within this publication are trademarks or
registered trademarks of their respective companies.

All information contained within this publication is, to the best of our knowledge, complete and
accurate at the time of publication. Rice Lake Weighing Systems reserves the right to make
changes to the technology, features, specifications and design of the equipment without notice.

The most current version of this publication, software, firmware and all other product
updates can be found on our website:

www.ricelake.com

Revision History

This section tracks and describes manual revisions for awareness of major updates.

Revision	Date	Description
F	April 12, 2024	Established revision history; updated drawings and replacement parts

Table i. Revision Letter History



Technical training seminars are available through Rice Lake Weighing Systems. Course descriptions and dates can be viewed at www.ricelake.com/training or obtained by calling 715-234-9171 and asking for the training department.

Contents

1.0	Introduction	1
1.1	Standard Features	2
1.2	Key Functions	3
1.3	Operation Menu Softkeys	4
2.0	Installation	5
2.1	Unpacking and Assembly	5
2.2	Enclosure Disassembly	5
2.3	Cable Connections	5
2.4	Cable Grounding	7
2.5	Parts Kit Contents	7
2.6	Option Cards	7
3.0	Setup Menu	9
3.1	Entering the Setup Menu	9
3.2	Setting the System Time and Date	10
3.3	Modifying the Setup Password	11
3.4	Enabling/Disabling Additional Data Fields	12
3.5	Modifying the Filling Speeds	12
3.6	Modifying the Auto Tare	13
3.7	Modifying Auto Print	13
3.8	Delay After Discharge	13
3.9	Test Digital I/O	14
4.0	Operation	15
4.1	Entering Presets Softkey Menu	15
4.2	Entering Totals Softkey Menu	18
4.3	Filling a Container	20
4.4	Pausing/Resume/Reset a Fill	20
4.5	Audit Trail Print	21
5.0	Appendix	22
5.1	Options	22
5.2	FCC Statement	22
5.3	Product Dimensions	23
5.4	Replacement Parts	24
6.0	Limited Warranty	26
7.0	Compliance	27



Rice Lake continually offers web-based video training on a growing selection of product-related topics at no cost. Visit www.ricelake.com/webinars

1.0 Introduction

This manual is intended for use by service technicians and operators responsible for installing and operating the FlexWeigh System 102 Automatic Fill, Automatic Discharge Controller.

Additional information on the actual hardware features of the 920i are explained in the 920i Installation and Operation Manual (PN 67887) and is included with this product.



Manuals are available from Rice Lake Weighing Systems at www.ricelake.com/manuals

Warranty information is available at www.ricelake.com/warranties

Safety Definitions:



DANGER: Indicates an imminently hazardous situation that, if not avoided, will result in death or serious injury. Includes hazards that are exposed when guards are removed.



WARNING: Indicates a potentially hazardous situation that, if not avoided, could result in serious injury or death. Includes hazards that are exposed when guards are removed.



CAUTION: Indicates a potentially hazardous situation that, if not avoided, could result in minor or moderate injury.



IMPORTANT: Indicates information about procedures that, if not observed, could result in damage to equipment or corruption to and loss of data.

General Safety



Do not operate or work on this equipment unless this manual has been read and all instructions are understood. Failure to follow the instructions or heed the warnings could result in injury or death. Contact any Rice Lake Weighing Systems dealer for replacement manuals.



WARNING

Failure to heed could result in serious injury or death.

Failure to heed may result in serious injury or death.

Some procedures described in this manual require work inside the indicator enclosure. These procedures are to be performed by qualified service personnel only.

Do not allow minors (children) or inexperienced persons to operate this unit.

Do not operate without all shields and guards in place.

Do not step on the unit.

Do not jump up and down on the scale.

Do not use for purposes other than weight taking.

Do not place fingers into slots or possible pinch points.

Do not use any load bearing component that is worn beyond 5% of the original dimension.

Do not use this product if any of the components are cracked.

Do not exceed the rated load limit of the unit.

Do not make alterations or modifications to the unit.

Do not remove or obscure warning labels.

Do not use near water.

Before opening the unit, ensure the power cord is disconnected from the outlet.

Keep hands, feet and loose clothing away from moving parts.

1.1 Standard Features

The FlexWeigh System 102 comes with the following standard features:

- Wall mount NEMA 4Xstainless steel enclosure
- Front panel switches including E-Stop, Reset/Resume, Start
- Softkeys for presets, CN#, Alpha-numeric ID#1, Alpha-numeric ID#2, and Totals
- Accumulating subtotal and total registers
- Transmitted audit trail
- Digital I/O board
- Relay rack and SSR relay outputs
 - Fast feed
 - Slow feed
 - Fill complete (optional)
 - Zero tolerance (optional)
- Automatic Discharge



NOTE: The iRite program and source code that make up the 920i FlexWeigh 102 Basic Filler are property of the manufacturer. Modifications to this program and equipment must be performed by Rice Lake Weighing Systems.

For more information on the iRite compiler utility program, refer to the 920i Installation and Operation Manual (PN 67887) and is included with this product.

1.2 Disposal



Product Disposal

The product must be brought to appropriate separate waste collection centers at the end of its life cycle.

Proper separate collection to recycle the product helps prevent possible negative effects on the environment and to health, and promotes the recycling of the materials. Users who dispose of the product illegally shall face administrative sanctions as provided by law.

1.3 Key Functions

The functions of the front panel keys for the System 102 are listed in [Table 1-1](#).

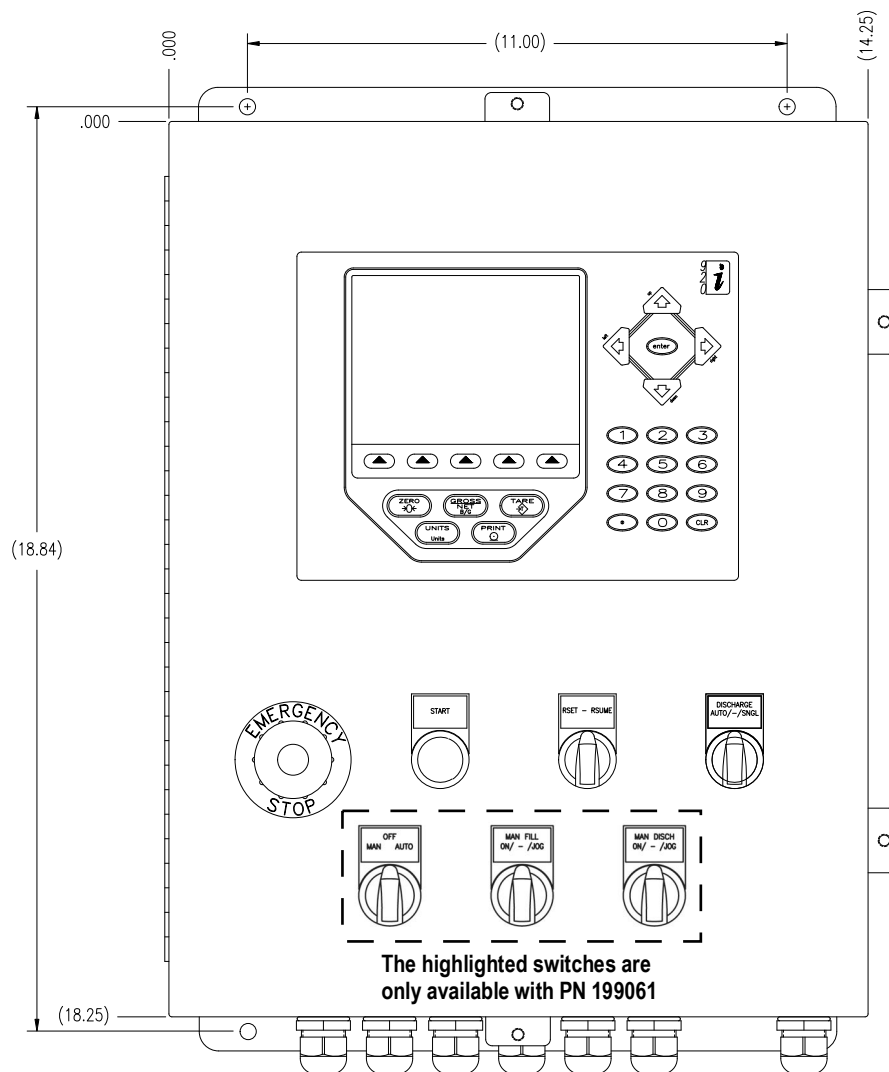


Figure 1-1. FlexWeigh System 102

Key	Function
E-Stop	Stops the filling process and removes power from the relays; It also puts the process into a paused state
Start	Starts the filling process
Reset	Aborts the fill process; This requires that the E-Stop button is in a stopped position
Resume	Starts the fill process from a paused state; This requires that the E-Stop is in a run position
Auto Discharge	Maintains position to automatically discharge product after fill cycle is complete
Single Discharge	Allows manual control of product discharge NOTE: Move switch to momentary position after fill cycle is complete to discharge scale
Manual	Allows manual control using the manual control operators
Auto	Allows automatic control after start is pressed
Manual Fill: On	Maintained selection, energizes the fill output on continuously
Manual Fill: Jog	Momentary selection, energizes the fill output when the operator holds the switch in this position
Manual Discharge: On	Maintained selection, energizes the discharge output on continuously
Manual Discharge: Jog	Momentary selection, energizes the fill output when the operator holds the switch in this position

Table 1-1. Front Panel Button Functions

1.4 Operation Menu Softkeys

Operation menu softkeys are defined to provide flexibility of operator functions for specific applications. Softkey assignments are listed on the tabs shown at the bottom of the LCD display and softkey functions are activated by pressing the arrow keys below the softkey tabs (Figure 1-2). They are password protected and offer access to the following:

- Presets
- ID #1
- ID #2
- Totals
- Setup Menu

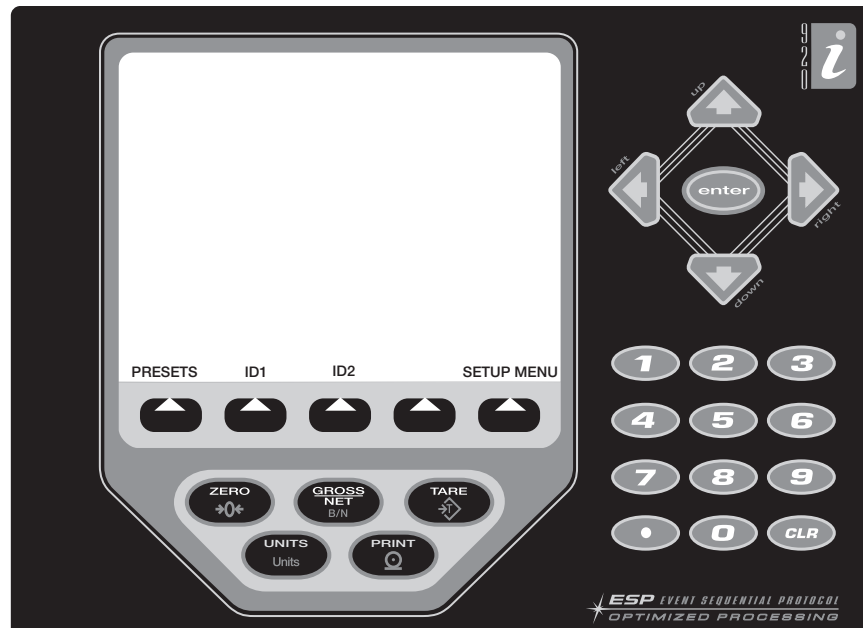


Figure 1-2. 920i Front Panel

The softkeys shown on the display are determined by the indicator configuration and program.

Softkey	Default	Softkey	Description
Time/Date	Current	Time/Date	Time and date of 920i
System Password	*****	Setup Password	Changing the password that is required for entry into the setup menu; Setting the password to nothing will cause the system to not prompt for a password when the Setup Menu softkey is pressed
Enabling/Disabling ID#1	-	ID #1	This allows the operator to log an extra data field; A softkey will appear on the main screen to allow the operator to enter more data (ie: formula, ID Truck, container, operator)
Enabling/Disabling ID#2	-	ID #2	This allows the operator to log an extra data field; A softkey will appear on the main screen to allow the operator to enter more data (ie: formula, ID Truck, container, operator)
Filling Speeds	Single Speed	Single, Dual or Parallel	Allows the operator to change the filling speed operations
Auto Tare Feature	Enabled	Auto Tare Enabled/Disabled	Allows the operator to enable/disable the auto tare feature
Auto Print Feature	Enabled	Auto Print Enabled/Disabled	Allows the operator to enable/disable the auto print feature
Delay After Discharge	-	Delay After Discharge	Allows the operator to enter a time in seconds to delay after completion of Discharge before a new Start input is enabled

Table 1-2. Configurable Softkeys

2.0 Installation

This section describes procedures for setting up the FlexWeigh System 102 to weigh.



CAUTION: Use a wrist strap to ground yourself and protect components from electrostatic discharge (ESD) when working inside the indicator enclosure.

The supply cord serves as the power disconnect for the unit. The power outlet supplying the indicator must be installed near the unit and be easily accessible.



WARNING: The FlexWeigh System 102 has no on/off switch. Before opening the unit, ensure the power cord is disconnected from the power outlet.

2.1 Unpacking and Assembly

Immediately after unpacking, visually inspect the unit to ensure all components are included and undamaged.

The shipping carton should contain the FlexWeigh System 102 unit and this manual. If any parts were damaged in shipment, notify Rice Lake Weighing Systems and the shipper immediately.

2.2 Enclosure Disassembly

The FlexWeigh System 102 must be opened to install option cards and to connect cables for installed option cards.

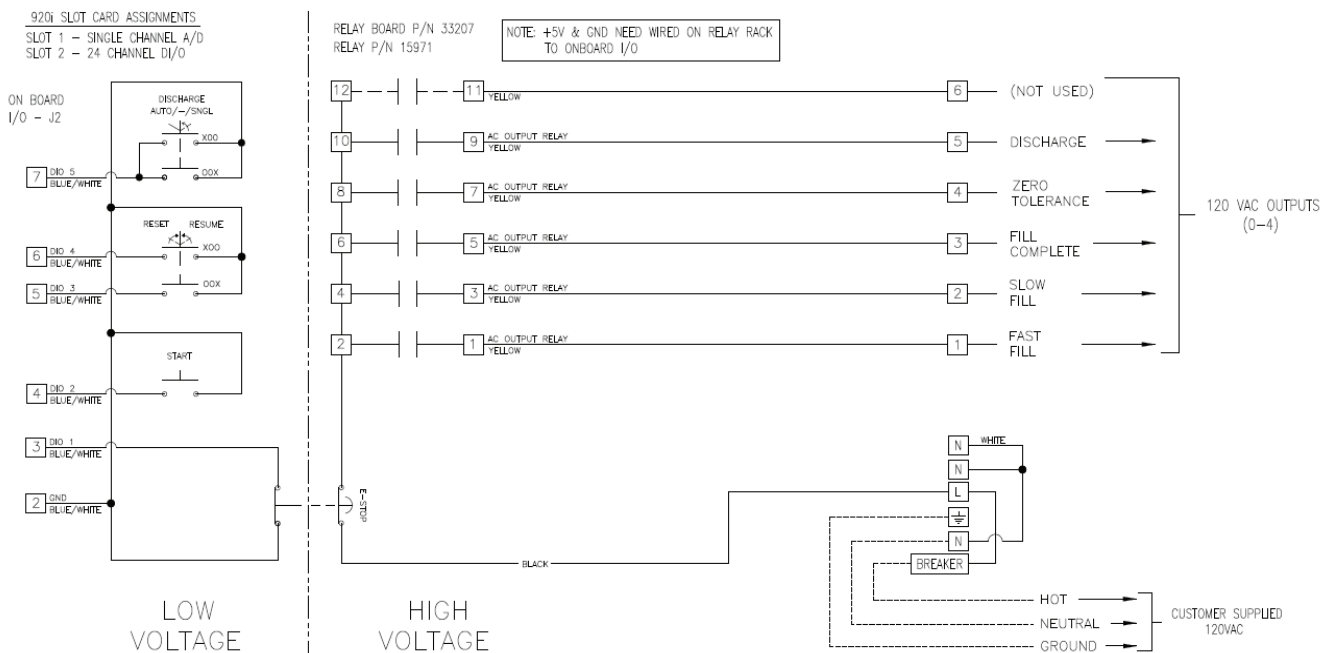
Ensure power to the indicator is disconnected, then open the enclosure.

2.3 Cable Connections

The FlexWeigh System 102 provides eleven cord grips for cabling into the indicator. The parts kit includes cord grip plugs to prevent moisture from entering the enclosure. Install these plugs into all cord grips that will not be used in your application. Use the cable grounding instructions for wiring into the indicator.



NOTE: An additional adhesive label (PN 121109) is included in the parts kit and can be installed at the installer's discretion indicating correct terminal block numbering.



- NOTES:
1. CIRCUIT BREAKER = 4A.
 2. ALL WIRE IS 18AWG UNLESS OTHERWISE SPECIFIED.
 3. DASHED LINES REPRESENT FIELD WIRING.

Figure 2-1. Block Wiring Diagram



NOTE: Circuit breaker = 4 A. All wires are 18 AWG unless otherwise specified. Dashed lines represent field wiring.

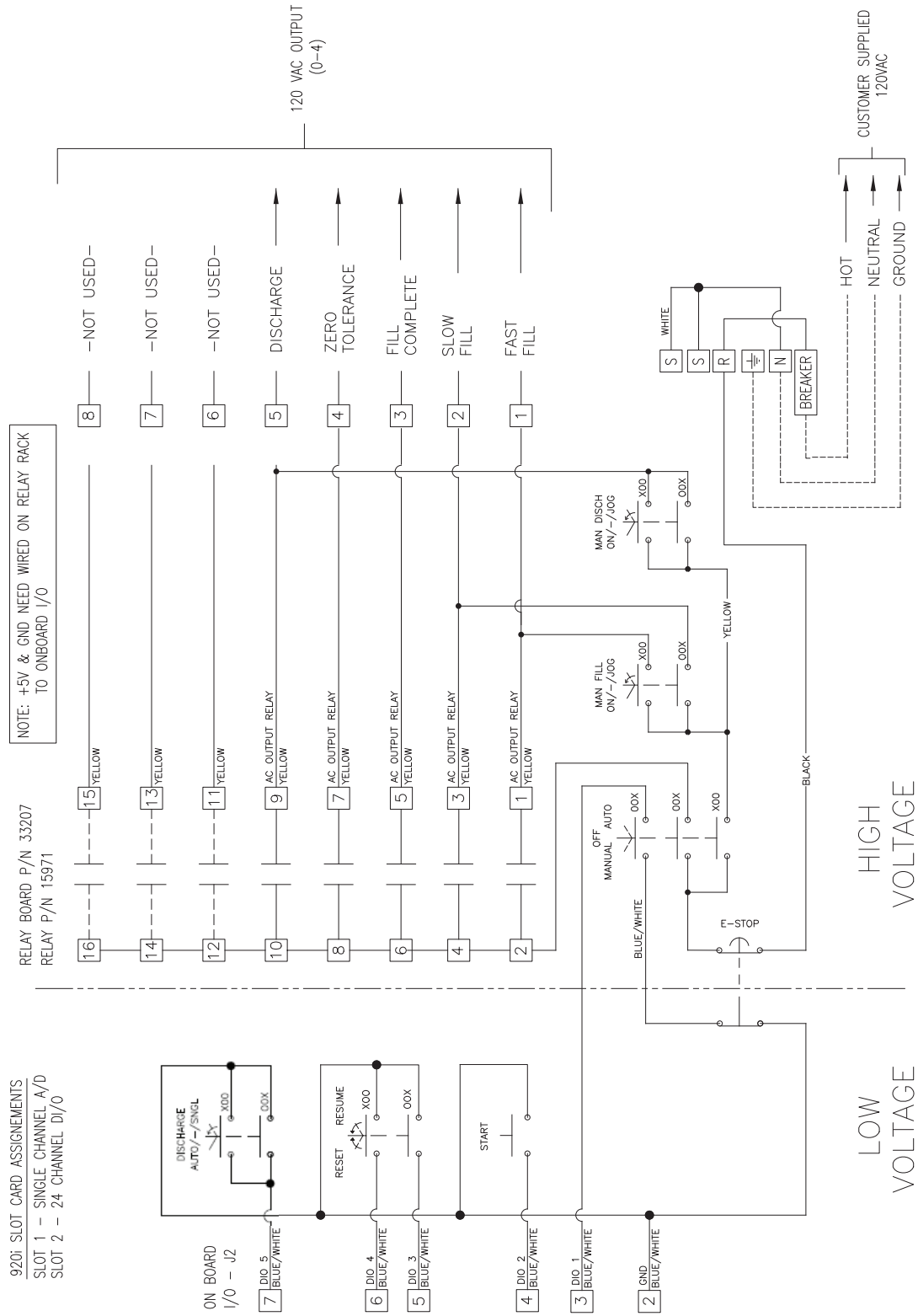


Figure 2-2. Block Wiring Diagram with Additional Controls



NOTE: Circuit breaker = 4 A. All wires are 18 AWG unless otherwise specified. Dashed lines represent field wiring.

2.4 Cable Grounding

Cables routed through the cord grips should be grounded against the indicator enclosure. Follow cable grounding instructions in the 920i Installation and Operation Manual (PN 67887) which is also included with this product.

2.5 Parts Kit Contents

Table 2-1 lists the parts kit contents for the FlexWeigh System 102.

Part No.	Description	Qty.
14626	Keyp nuts, 8-32NC (6)	6
15133	Lock washers, No. 8, type A (6)	6
15631	Cable ties (4 single A/D, 6 dual A/D)	4
15665	Reducing glands for 1/2 NPT cord grips (11)	11
15887	6-position screw terminal for load cell connection (1-single A/D, 2-dual A/D)	1
19538	Cord grip plugs (10-single A/D, 9-dual A/D)	10
94422	Capacity Label (1-single A/D, 2-dual A/D)	1
53075	Cable shield ground clamps (6)	6
70599	6-position screw terminals for J2 and J10 (2)	2
71125	3-position screw terminal for J11 (1)	1
71126	4-position screw terminal for J9 and optional keyboard connection (2)	2
121108	Label, Terminal Block Identification (1)	1

Table 2-1. Parts Kits Contents (PN 121143)



NOTE: See [Figure 5-2 on page 24](#) for a complete list of replacement parts.

2.6 Option Cards

Table 2-2 list the available option card that are used in the FlexWeigh System 102. The single channel A/D card can be installed in slot 1 and the 24 channel I/O card in slot 2.

Slot	Type
1	Single Channel A/D Card
2	24 Channel I/O Card

Table 2-2. Option Card Locations

Digital I/O

Slot	Bit	Type	Function
0	1	Programmability	E-Stop
0	2		Start
0	3		Resume
0	4		Reset
0	5-6	Off	Currently not used
2	1	Output	Fast Fill
2	2		Slow Fill
2	3		Fill Complete
2	4		Zero Tolerance
2	5		Discharge
2	6-24	Off	Currently not used

Table 2-3. Digital I/O Assignments

Serial Ports

Port	Type	Description	Setup
1	CMD	Currently not used	9600 baud 8 bit None 2
2	CMD/KEYBOARD	iRev downloads/operator input	115200 8 bit None 2
3	CMD	Audit trail printer	9600 baud 8 bit None 2
4	CMD	Currently not used	9600 baud 8 bit None 2

Table 2-4. Serial Port Setup

3.0 Setup Menu

This section describes the various setup parameters for the FlexWeigh System 102.

3.1 Entering the Setup Menu



NOTE: The front panel E-stop button must be in the stopped position (pushed in) to enable the following keypad entries.

1. Press the **Setup Menu** softkey on the main menu screen and the system performs one of the following actions.
 - If a system password is entered, proceed to [Step 2](#).
 - If no system password is entered, the **Setup Menu Main Screen** displays ([Figure 3-2](#)).
2. Press the **Setup Password** softkey. The system prompts with **Enter Password**.

04/28/2011	02:15PM	SCALE #1
Gross -- -- -- -- -- Lb		SCALE #1
Setup Menu		
Program: Express 102 PN120597 (V 1.00)		
ID #1 (disabled)	Start	<input type="radio"/> Zero Tol
ID #2 (disabled)	Resume	<input type="radio"/> Fill Copt
Dual Speed (enabled)	Reset	<input type="radio"/> Slow Fill
Auto Tare (enabled)	Stop	<input type="radio"/> Fast Fill
Auto Print (disabled)	Discharge	<input type="radio"/> Discharge
Delay After Discharge (sec) :30		
Enter New Password:		
=> █		
Home	Cancel	End

Figure 3-1. Setup Menu Enter Password

3. Enter the password and press the **Enter** key on the 920i. The system checks the entered value against the system password and performs one of the following actions:
 - If the password is valid, the **Setup Menu Main Screen** displays ([Figure 3-2](#))
 - If the password is invalid, **Invalid password** displays momentarily and display exits the operation

04/28/2011	02:15PM	SCALE #1
Gross -- -- -- -- -- Lb		SCALE #1
SETUP MENU		
Program: Express 102 PN120597 (V 1.00)		
ID #1 (disabled)	Start	<input type="radio"/> Zero Tol
ID #2 (disabled)	Resume	<input type="radio"/> Fill Copt
Dual Speed (enabled)	Reset	<input type="radio"/> Slow Fill
Auto Tare (enabled)	Stop	<input type="radio"/> Fast Fill
Auto Print (disabled)	Discharge	<input type="radio"/> Discharge
Delay After Discharge (sec) :30		
Setup Menu:		
Time/Date	Setup Password	More =>
ID #1	ID #2	

Figure 3-2. Setup Menu Main Screen

3.2 Setting the System Time and Date

Use the following steps to set up the system time and date.

1. From the **Main Setup Menu Screen**, press the **Time/Date** softkey.

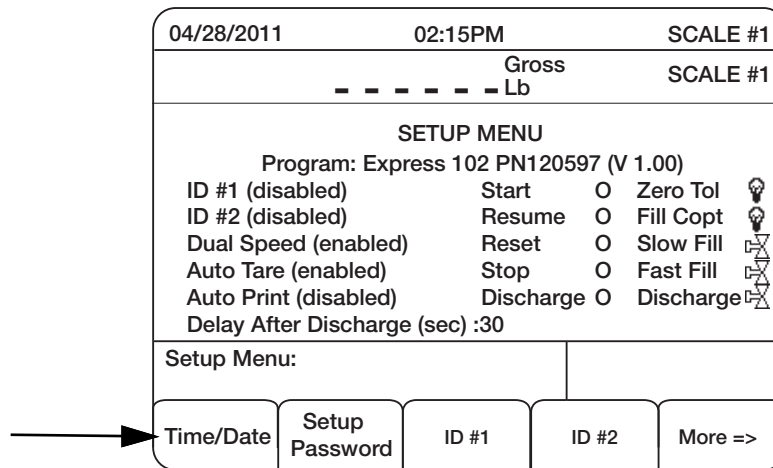


Figure 3-3. Select Time/Date Softkey

2. Use the arrow keys on the 920i and the numeric keypad to modify the time and or date.
3. Press the **Enter** key to save the settings.

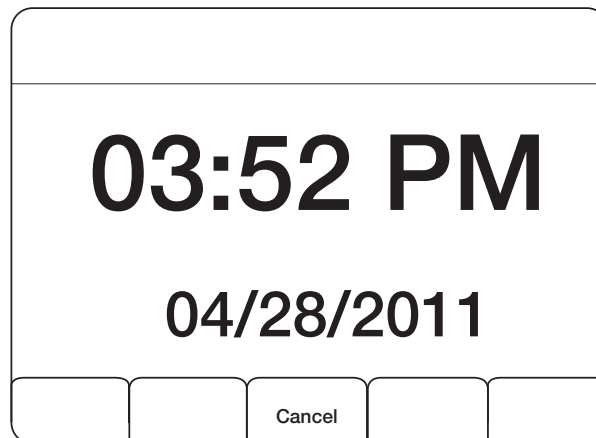


Figure 3-4. Time and Date Main Screen



NOTE: The **Cancel** softkey can be pressed at any time to exit this sequence without saving any changes.

3.3 Modifying the Setup Password

Use the following steps to modify the setup password.

1. From the **Main Setup Menu Screen**, press the **Setup Password** softkey.
2. The system prompts, **Enter New Password**.

04/28/2011	02:15PM	SCALE #1
Gross		SCALE #1
-- -- -- -- -- Lb		
Setup Menu		
Program: Express 102 PN120597 (V 1.00)		
ID #1 (disabled)	Start	<input type="radio"/> Zero Tol
ID #2 (disabled)	Resume	<input type="radio"/> Fill Copt
Dual Speed (enabled)	Reset	<input type="radio"/> Slow Fill
Auto Tare (enabled)	Stop	<input type="radio"/> Fast Fill
Auto Print (disabled)	Discharge	<input type="radio"/> Discharge
Delay After Discharge (sec) :30		
Enter New Password:		
=> █		
Home	Cancel	End

Figure 3-5. Enter New Password

3. Enter the new password and press the **Enter** key.
4. The system prompts **Re-enter password** to verify.
5. Re-enter the password and press the **Enter** key again. The system performs one of the following actions.
 - If the passwords match, the system displays **Password Changed**.
 - If the passwords do not match, the system displays **Passwords Did Not Match** and exits the operation.

3.4 Enabling/Disabling Additional Data Fields

Use the following steps to enable or disable additional data fields.

1. From the **Main Setup Menu Screen**, press the **Setup Password** softkey (Figure 3-2 on page 14).



NOTE: A setup password is not required if it has never been set or if you are already in Setup mode.

2. Press the **ID #1** or **ID #2** softkey. The system displays **Enable Extra Data #1** or **Extra Data #2** while displaying **Yes** or **No** softkeys.

04/15/2011	02:15PM	SCALE #1
136.8 ^{Gross} Lb		SCALE #1
SETUP MENU		
Program: Express 102 PN120597 (V 1.00)		
ID #1 (disabled)	Start	O Zero Tol
ID #2 (disabled)	Resume	O Fill Copt
Dual Speed (enabled)	Reset	O Slow Fill
Auto Tare (enabled)	Stop	O Fast Fill
Auto Print (disabled)	Discharge	O Discharge
Delay After Discharge (sec) :30		
Enable ID #1:		
=>		
Yes		No

Figure 3-6. Enabling IDs

3. The operator does one of the following:

Press the **Yes** softkey, the system prompts **Enter Extra Data #1 Name**. Enter the name and press the **Enter** key on the 920i. A new data field appears on the main display and as a softkey so that the operator can change it.

Press the **Yes** softkey and this returns the operator back to [Step 1](#).

3.5 Modifying the Filling Speeds

Use the following steps to modify the filling speeds.

1. From the **Main Setup Menu Screen** (Figure 3-7), press the **Setup Password** softkey (a password is not required).
2. Press the **More =>** softkey to access the second and third menu screens.

04/28/2011	02:15PM	SCALE #1
- - - - - ^{Gross} Lb		SCALE #1
SETUP MENU		
Program: Express 102 PN120597 (V 1.00)		
ID #1 (disabled)	Start	O Zero Tol
ID #2 (disabled)	Resume	O Fill Copt
Dual Speed (enabled)	Reset	O Slow Fill
Auto Tare (enabled)	Stop	O Fast Fill
Auto Print (disabled)	Discharge	O Discharge
Delay After Discharge (sec) :30		
Setup Menu:		
<= More	Dual Speed Enabled	Auto Tare Enabled
	Auto Print Disabled	More =>

Figure 3-7. Setup Main Menu Screen #2

3. Press the **Single Speed Enabled**, **Dual Speed Enabled** or **Parallel Speed Enabled** softkey. The system will toggle between the three modes of operation ([Section 4.3 on page 20](#)) and will display the selected filling speed.

3.6 Modifying the Auto Tare

Use the following steps to modify the auto tare.

1. From the **Main Setup Menu Screen** (Figure 3-7 on page 17), press the **More =>** softkey to access the second setup menu screen.



Figure 3-8. Auto Tare Softkey

2. Press the **Auto Tare Enabled** or **Auto Tare Disabled** softkey. The system will toggle between the two modes of operation.

3.7 Modifying Auto Print

Use the following steps to modify the auto print.

1. From the **Main Setup Menu Screen** (Figure 3-7 on page 17), press the **More =>** softkey to access the second setup menu screen.
2. Press the **Auto Print Enabled** or **Auto Print Disabled** softkey. The system toggles between the two modes of operation.



Figure 3-9. Auto Print Disabled Softkey

3.8 Delay After Discharge

Use the following steps to modify the delay after discharge.

1. From the **Main Setup Menu Screen** (Figure 3-7 on page 17), cycle through pressing the **More =>** softkey to access the third setup menu screen which includes the **Delay After Discharge** softkey.



Figure 3-10. Delay After Discharge Softkey Location

2. Press the **Delay After Discharge** softkey to access that softkey.

04/28/2011	02:15PM	SCALE #1
Gross		SCALE #1
----- Lb		
SETUP MENU		
Program: Express 102 PN120597 (V 1.00)		
ID #1 (disabled)	Start	O Zero Tol
ID #2 (disabled)	Resume	O Fill Copt
Dual Speed (enabled)	Reset	O Slow Fill
Auto Tare (enabled)	Stop	O Fast Fill
Auto Print (disabled)	Discharge	O Discharge
Delay After Discharge (sec) :30		
Delay After Discharge (sec):		
=> .30		
Home	Cancel	End

Figure 3-11. Enter Time

3. Enter in the time in seconds to delay the discharge time.

3.9 Test Digital I/O

Press the **Test Digital I/O** softkey to test the Fill Complete, Slow Fill and Fast Fill relay outputs.

04/15/2011	02:15PM	SCALE #1
----- Gross		SCALE #1
----- Lb		
SETUP MENU		
Program: Express 102 PN120597 (V 1.00)		
ID #1 (disabled)	Start	<input type="radio"/> Zero Tol
ID #2 (disabled)	Resume	<input type="radio"/> Fill Copt
Dual Speed (enabled)	Reset	<input type="radio"/> Slow Fill
Auto Tare (enabled)	Stop	<input type="radio"/> Fast Fill
Auto Print (disabled)	Discharge	<input type="radio"/> Discharge
Delay After Discharge (sec) :30		
Setup Menu:		
Fill Complete	Slow Fill	Fast Fill
Discharge		Exit

Figure 3-12. Test Digital I/O

Fill Complete

Press the **Fill Complete** softkey to test the digital I/O.

Slow Fill

By pressing the **Slow Fill** softkey, the digital I/O is tested and the Slow Fill icon on the setup menu screen is darkened while it's being tested. Press the **Slow Fill** softkey again and the icon clears again.

Fast Fill

By pressing the **Fast Fill** softkey, the digital I/O is tested and the Fast Fill icon on the setup menu screen is darkened while it's being tested. Press the **Fast Fill** softkey again and the icon clears again.

4.0 Operation

The section describes the basic sequence of operation for the FlexWeigh System 102.

4.1 Entering Presets Softkey Menu

The FlexWeigh System 102 has the capability to allow the operator to modify the presets/weights. See the following procedure:



NOTE: The front panel E-stop button must be in the stopped position (pushed in) to enable the following keypad entries.

4/28/2011		10:20AM		SCALE #1	
				Gross Lb	
				SCALE #1	
Target		Dribble	Preact	Near Zero	
200.0 Lb		75	0.0	10.0	
Consec. #		Subtotal	Total		
23		1687 Lb	3468 Lb		
Presets				Totals	Setup Menu

Figure 4-1. Presets Menu Screen

1. Press the **Presets** softkey. Softkeys in [Figure 4-2](#) are displayed.

4/28/2011		10:22AM		SCALE #1	
				Gross Lb	
				SCALE #1	
Target		Dribble	Preact	Near Zero	
200.0 Lb		75	0.0	10.0	
Consec. #		Subtotal	Total		
23		1687 Lb	3468 Lb		
Target Weight	Dribble Weight	Preact Weight	Zero Tol Weight	Exit	

Figure 4-2. Presets Softkey Parameters

2. Press the corresponding softkey to edit the data. Parameters that can be edited include:
 - Target weight
 - Dribble weight
 - Preact weight
 - Zero tolerance weight

Target Weight

This is the desired weight value for a final fill weight. The existing number needs to first be cleared by using the **Clear** key.

1. Enter the target weight using the arrow keys and the numeric keypad.
2. Press **Enter** on the 920i to save that value.

4/28/2011		10:23AM		SCALE #1			
Gross Lb				SCALE #1			
Target		Dribble		Preact		Near Zero	
200.0 Lb		75		0.0		10.0	
Enter Target Weight							
Consec. #		Subtotal			Total		
23		1687 Lb			3468 Lb		
Enter Target Weight => 100.0							
Home		Cancel		End			

Figure 4-3. Enter Target Weight

Dribble Weight

When a 2-speed fill is enabled (either Parallel or Sequential), this is the desired weight value below the Target Weight that the cycle switches from Fast Feed to Dribble Feed.

1. Enter the dribble weight using the arrow keys and the numeric keypad.
2. Press **Enter** on the 920i to save that value.

04/28/2011		10:36AM		SCALE #1			
Gross Lb				SCALE #1			
Target		Dribble		Preact		Near Zero	
200.0 Lb		75		0.0		10.0	
Enter Dribble Weight							
Consec. #		Subtotal			Total		
23		1687 Lb			3468 Lb		
Enter Dribble Weight => 12.0							
Home		Cancel		End			

Figure 4-4. Enter Dribble Weight

Preact Weight

Preact weight allows material to cut off prior to the original target value to allow for free fall material to settle onto the scale.

1. Enter the preact weight using the arrow keys and the numeric keypad.
2. Press **Enter** on the 920i to save that value.

04/28/2011		10:25AM		SCALE #1	
			Gross Lb		SCALE #1
■■■■■■■■■■					
Target	Dribble	Preact	Near Zero		
200.0 Lb	75	0.0	10.0		
Enter Preact Weight					
Consec. #	Subtotal	Total			
23	1687 Lb	3468 Lb			
Enter Preact Weight => 0.0					
Home		Cancel			End

Figure 4-5. Enter Preact Weight

Zero Tolerance Weight

This is the weight under which the system considers the scale to be empty. The scale weight must be within the gross weight value before the FlexWeigh System 102 will start a batch.

1. Enter the zero tolerance weight using the arrow keys and the numeric keypad.
2. Press **Enter** on the 920i to save that value.

04/28/2011		10:38AM		SCALE #1	
			89 Gross Net		SCALE #1
Target	Dribble	Preact	Near Zero		
200.0 Lb	75	0.0	10.0		
Enter Zero Tolerance Weight					
Consec. #	Subtotal	Total			
23	1687 Lb	3468 Lb			
Enter Zero Tolerance Weight => 110					
Home		Cancel			Exit

Figure 4-6. Enter Zero Tolerance Weight

Exit

Press the **Exit** softkey to leave the presets menu parameters.

4.2 Entering Totals Softkey Menu



NOTE: The front panel E-stop button must be in the stopped position (pushed in) to enable the following keypad entries.

1. Press the **Totals** softkey.

4/28/2011		10:20AM		SCALE #1	
<div style="text-align: center;"> Gross Lb ■ ■ ■ ■ ■ </div>				SCALE #1	
Target	Dribble	Preact	Near Zero		
200.0 Lb	75	0.0	10.0		
Consec. #		Subtotal	Total		
23		1687 Lb	3468 Lb		
Presets			Totals	Setup Menu	

Figure 4-7. Printing and Clearing Accumulators Menu

2. The operator can print and reset the consecutive number, subtotal and totals by pressing the appropriate softkey. Parameters that can be edited include:
 - Consecutive Number
 - Print Sub Total
 - Print Total

Consecutive Number

Press the **Consecutive Number** softkey to enter the next number to be weighed. The system keeps incrementing every time a batch is running (counter).

04/28/2011		2:45PM		SCALE #1	
<div style="text-align: center;"> Gross Lb ■ ■ ■ ■ ■ </div>				SCALE #1	
Target	Dribble	Preact	Near Zero		
200.0 Lb	75	0.0	10.0		
Consec. #		Subtotal	Total		
23		1687 Lb	3468 Lb		
Enter Consecutive Number					
=> 23					
Home		Cancel		End	

Figure 4-8. Enter Consecutive Number

Print Sub Total

1. Press the **Totals** softkey (Figure 4-7 on page 23) to access the **Print Sub Total** softkey.
2. Press the **Print Sub Total** softkey to access the following screen.

04/28/2011		10:52AM		SCALE #1	
			Gross		SCALE
			Net		#1
Target	Dribble	Preact	Near Zero		
200.0 Lb	75	0.0	10.0		
Clear Sub Total?					
Consec. #		Subtotal		Total	
23		1687 Lb		3468 Lb	
Yes				No	

Figure 4-9. Clear Sub Total Screen

3. Press the **Yes** softkey to clear the subtotal of the batch.
 - Press the **No** softkey to exit out of the screen

Print Total

1. Press the **Totals** softkey (Figure 4-7 on page 23) to access the **Print Total** softkey.
2. Press the **Print Total** softkey to access the following screen.

04/28/2011		10:50AM		SCALE #1	
			Gross		SCALE
			Net		#1
Target	Dribble	Preact	Near Zero		
200.0 Lb	75	0.0	10.0		
Clear Total?					
Consec. #		Subtotal		Total	
23		1687 Lb		3468 Lb	
Yes				No	

Figure 4-10. Clear Total Screen

3. Press the **Yes** softkey to clear the total and sub-total of the batch.
 - Press the **No** softkey to exit out of the screen

4.3 Filling a Container

Use the following steps to fill a container on the scale.

1. Place a container on the scale.
2. Press the **Start** button on the unit. The system verifies if:
 - Gross weight is within the zero tolerance
 - E-Stop is pulled out
 - A valid target weight is entered

The system increments the Consecutive Number by 1 on the main display.

The system tares the scale if Auto Tare is enabled (shown in the setup menu).

04/28/2011 11:35AM		SCALE #1	
89 Gross Net		SCALE #1	
Target	Dribble	Preact	Near Zero
200.0 Lb	75	0.0	10.0
Fast Filling			
Consec. #	Subtotal	Total	
23	1687 Lb	3468 Lb	

Figure 4-11. Fill Screen Example

The system begins filling either of three speeds and displays a basic filling screen although this screen will change depending up what kind of filling is being done.

- Single Speed Filling - The system turns on fast fill until the target weight-preact weight is satisfied
- Parallel Speed Filling - Turns on the fast fill and slow fill until the dribble weight is satisfied; The system then turns off the fast fill and leaves the slow fill on until the target weight-preact weight is satisfied
- Dual Speed Filling - Turns on the fast fill until the dribble weight is satisfied; The system turns on the slow fill until the target weight-preact weight is satisfied

System does the following when the target is reached:

- Capture a stable net weight
- Updates the sub total weight and number of fills
- Updates the total and number of fills
- Turns on the Fill Complete Output

The system has two modes for discharge:

- Auto Discharge - The system automatically discharges batch into the container
- Single Discharge - The operator manually controls when batch is discharged into the container

The system is ready to being a new cycle starting at [Step 1](#) again.

4.4 Pausing/Resume/Reset a Fill

1. Press the E-Stop button. System turns off all outputs and displays **System Paused**.
2. Press the **Resume** switch. The system resumes where the current batch left off.
 - Press the **Reset** switch; The system returns back to [Step 1](#) to start over

4.5 Audit Trail Print

Record keeping is an important part of any system. The FlexWeigh System 102 has the ability to be connected to a printer for retaining detailed records on batches, cycle runs, cycle paused, etc.

The preferred printer to integrate with the FlexWeigh System 102 is the TMU-220 Tape Printer but will easily integrate with any strip printer.

Hook up the printer to the FlexWeigh System 102 per printer manual instructions.

Shown below are tape samples that can be printed using the FlexWeigh System 102 and the TMU-220 Ticket Printer.



Figure 4-12. Tape Printer Examples

5.0 Appendix

The section provides additional information for the FlexWeigh System 102.

5.1 Options

Several options are available with the FlexWeigh System 102. Those options that are available include:

- Three Position Selector Switch
- Manual-Mode Front Panel Controls
- Optional Front Panel Pilot Lights

Three Position Selector Switch

Includes:

- Manual/Off/Auto

Manual Mode Front Panel Push Button

Includes:

- Manual Fill
- Manual Discharge

Maintained/Off/Spring Return Manual Switches

- Fill - On/Jog
- Fill - Fast/Slow
- Discharge - On/Jog
- Discharge - Fast/Slow

Optional Front Panel Event Pilot Lights

Includes:

- Green Ready
- Red Fill Complete
- Amber Filling
- Amber Filling Fast
- Amber Filling Slow
- Blue Discharging
- Blue Discharging Fast
- Blue Discharging Slow

5.2 FCC Compliance

United States

This equipment has been tested and found to comply with the limits for a Class A digital device, pursuant to Part 15 of the FCC Rules. These limits are designed to provide reasonable protection against harmful interference when the equipment is operated in a commercial environment. This equipment generates, uses, and can radiate radio frequency energy and, if not installed and used in accordance with the instruction manual, may cause harmful interference to radio communications. Operation of this equipment in a residential area is likely to cause harmful interference in which case the user will be required to correct the interference at his own expense.

Canada

This digital apparatus does not exceed the Class A limits for radio noise emissions from digital apparatus set out in the Radio Interference Regulations of the Canadian Department of Communications.

Le présent appareil numérique n'émet pas de bruits radioélectriques dépassant les limites applicables aux appareils numériques de la Class A prescrites dans le Règlement sur le brouillage radioélectrique édicté par le ministère des Communications du Canada.

5.2.1 Radio Certificate Numbers

- US: R68WIPORTG
- Canada: 3867A-WIPORTG

5.3 Product Dimensions

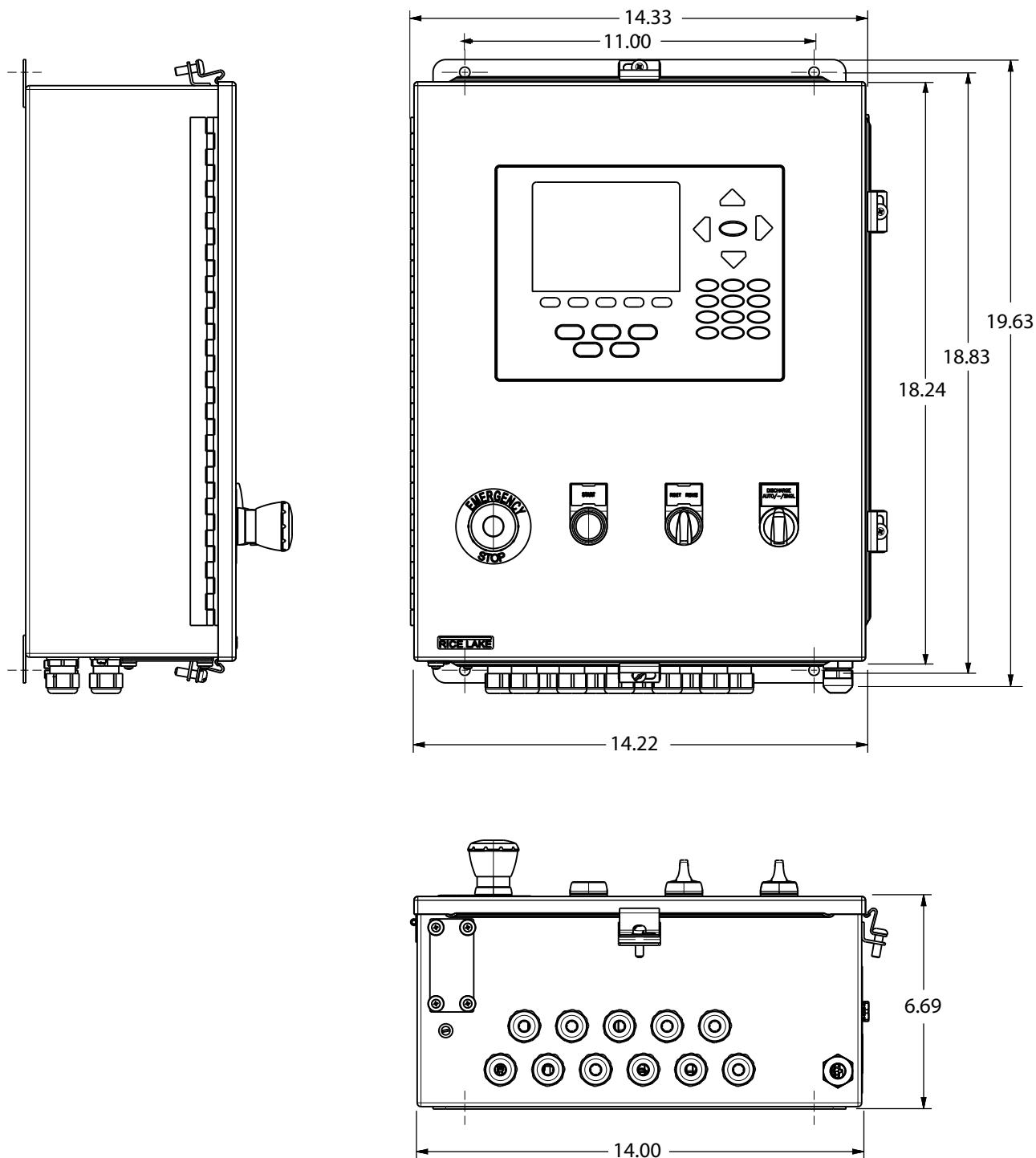


Figure 5-1. FlexWeigh System 102 Automatic Fill, Automatic Discharge Controller Enclosure Dimensions

5.4 Replacement Parts

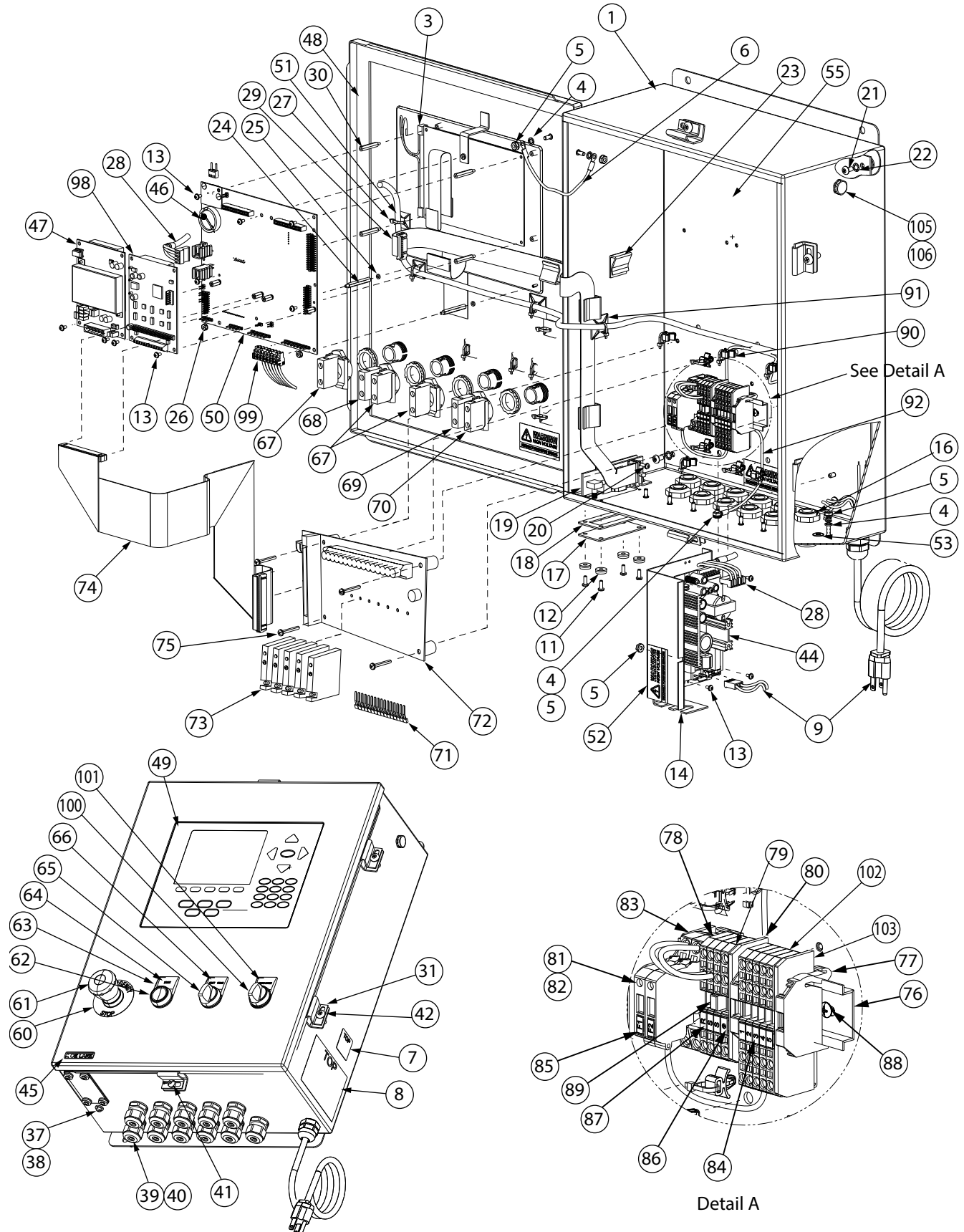


Figure 5-2. Replacement Parts Illustration

Item No.	Part No.	Description	Qty.
1	120426	Enclosure, Wall Mount	1
3	67614	Display, LCD Module, 920i	1
4	15134	Lock Washers, No 8, Type A	4
5	14626	Kep Nuts, 8-32NC Hex	4
6	15601	Ground Wire, 6 in w/No. 8	1
7	53308	Label, 1.25 x 1.25 8000T	1
8	53307	Label, 4.000 x 2.875	1
9	85202	Power Cord Assembly, 120 VAC	1
11	14845	Machine Screws, 6-32NC x 3/8	8
12	45042	Washer, Bonded Sealing SS	8
13	14822	Machine Screws, 4-40NC x 1/4	13
14	69538	Power Supply Bracket	1
16	15630	Locknuts, 1/2 NPT Black	11
17	67530	Interface Board Plate	1
18	67535	Interface Board Gasket	1
19	67869	920i Interface Board	1
20	55708	Machine Screws, 4-40NC x 3/8	2
21	14875	Machine Screws, 10-32NF x 3/8	4
22	15140	Lock Washer, No. 10, Type A	4
23	46192	Flat Ribbon Cable Clamp	4
24	68661	Standoffs, Male-FEM, 4-40NC	2
25	69898	Nylon Washer ID 0.112	2
26	14618	Kep Nuts, 4-40NC Hex	2
27	15631	Cable Tie, 3 in Nylon	18
28	71431	Cable Assembly, 65W power	1
29	71436	Ribbon Cable Assembly, 28 in	1
30	67886	Standoffs, Long, Male 4-40NC	4
31	71739	Cinching Enclosure Clip	4
37	42640	Machine Screw, 1/4 - 28NF x 1	1
38	59250	Washer, .255 ID x .437 OD	1
39	30376	Sealing Ring, 1/2 NPT, Nylon	11
40	15628	Cord Grip, 1/2 NPT, Black	11
41	71455	Machine Screws, 1/4-28NF x .75	1
42	71447	Machine Screws 1/4-28NF	3
44	71333	920i Power Supply Board	1
45	68216	Metal Nameplate	1
46	69290	3V Coin Lithium Batter	1
47	67610	Single Channel A/D Card	1
48	68724	920i Cover Gasket	1
49	66502	Overlay, Membrane Switch	1
50	109549	920i CPU Board Assembly	1
51	15650	Cable Tie Mount 3/4 in	7
52	16861	Label, High Voltage	3
53	16892	Label, Earth Ground	1

Item No.	Part No.	Description	Qty.
55	120423	Back Panel Component	1
60	94274	Legend Plate, Emergency Stop	1
61	94273	Red Mushroom Switch	1
62	94277	Switch, Push Button Green	1
63	94316	Legend Plate Holder	3
64	114695	Legend Plate, Start	1
65	94298	3-Position Switch	1
66	120728	Legend Plate, Reset/Resume	1
67	94310	Contact Block	2
68	94311	Contact Block, Switch On	1
69	94312	Contact Block, Switch On	1
70	94313	Contact Block, Switch On	1
71	41035	16 Position Jumper Strap	1
72	33207	8-Channel Mounting Relay Board	1
73	15971	Output Relay Module	5
74	70780	50 Pin Flat Ribbon Cable	1
75	120762	Machine Screw, 6-32NC x 1 - 1/4	4
76	43636	DIN Rail	1
77	61141	Screwless WAGO End Stop	3
78	62964	WAGO Terminal Block	7
79	62966	WAGO Terminal Block	1
80	62968	Intermediate End Plate	3
81	62969	WAGO Fuse Terminal Block	2
82	54215	Time Delay Fuse, 3.15 amp	2
83	66190	Intermediate End Plate	1
84	62959	Label, WAGO Terminal Strip	1
85	65007	Label, WAGO Terminal Block	1
86	62967	Label, WAGO Terminal Block	1
87	66034	Label, WAGO Terminal Block	1
88	22087	Machine Screw, 6-32NC x 3/8	2
89	55337	Jumper, Series 280, Insulated	1
90	80590	Arrowhead Cable Tie Mount	8
91	15658	1 Inch Cable Tie Mount	2
92	121069	9 Inch Ground Assembly Wire	1
98	67608	Card, Digital I/O	1
99	77180	Conn, 8 Pos Screw Terminal	1
100	94299	Switch, Knob 3 Position	1
101	223805	Legend Plate, Discharge Auto/-/Sngl	1
102	62975	Plate, End Intermediate	1
103	62973	Block, Terminal WAGO 4	6
105	88733	Vent, Breather Sealed	1
106	88734	Nut, Breather Vent	1
-	54215	Fuse Between Din Rail/Relay Rack	1
-	117901	Foam, Mixture High Density	1

Table 5-1. Replacement Parts List

6.0 Limited Warranty

Rice Lake Weighing Systems warrants that all Rice Lake Weighing Systems equipment and systems properly installed by a Distributor or Original Equipment Manufacturer (OEM) will operate per written specifications as confirmed by the Distributor/OEM and accepted by Rice Lake Weighing Systems. All systems and components are warranted against defects in materials and workmanship for two years.

Rice Lake Weighing Systems warrants that the equipment sold hereunder will conform to the current written specifications authorized by Rice Lake Weighing Systems. Rice Lake Weighing Systems warrants the equipment against faulty workmanship and defective materials. If any equipment fails to conform to these warranties, Rice Lake Weighing Systems will, at its option, repair or replace such goods returned within the warranty period subject to the following conditions:

- Upon discovery by Buyer of such nonconformity, Rice Lake Weighing Systems will be given prompt written notice with a detailed explanation of the alleged deficiencies.
- Individual electronic components returned to Rice Lake Weighing Systems for warranty purposes must be packaged to prevent electrostatic discharge (ESD) damage in shipment.
- Examination of such equipment by Rice Lake Weighing Systems confirms that the nonconformity actually exists, and was not caused by accident, misuse, neglect, alteration, improper installation, improper repair or improper testing; Rice Lake Weighing Systems shall be the sole judge of all alleged non-conformities.
- Such equipment has not been modified, altered, or changed by any person other than Rice Lake Weighing Systems or its duly authorized repair agents.
- Rice Lake Weighing Systems will have a reasonable time to repair or replace the defective equipment. Buyer is responsible for shipping charges both ways.
- In no event will Rice Lake Weighing Systems be responsible for travel time or on-location repairs, including assembly or disassembly of equipment, nor will Rice Lake Weighing Systems be liable for the cost of any repairs made by others.




These warranties exclude all other warranties, expressed or implied, including without limitation warranties of merchantability or fitness for a particular purpose. Neither Rice Lake Weighing Systems or distributor will, in any event, be liable for incidental or consequential damages.

Rice Lake Weighing Systems and buyer agree that Rice Lake Weighing Systems's sole and exclusive liability hereunder is limited to repair or replacement of such goods. In accepting this warranty, the buyer waives any and all other claims to warranty.

Should the seller be other than Rice Lake Weighing Systems, the buyer agrees to look only to the seller for warranty claims.

No terms, conditions, understanding, or agreements purporting to modify the terms of this warranty shall have any legal effect unless made in writing and signed by a corporate officer of Rice Lake Weighing Systems and the Buyer.

7.0 Compliance

	EU DECLARATION OF CONFORMITY <i>EU-KONFORMITÄTSERKLÄRUNG DÉCLARATION UE DE CONFORMITÉ</i>		Rice Lake Weighing Systems 230 West Coleman Street Rice Lake, Wisconsin 54868 United States of America 
	Type/Typ/Type: 820i and 920i series		
English	We declare under our sole responsibility that the products to which this declaration refers to, is in conformity with the following standard(s) or other regulations document(s).		
Deutsch	Wir erklären unter unserer alleinigen Verantwortung, dass die Produkte auf die sich diese Erklärung bezieht, den folgenden Normen und Regulierungsbestimmungen entsprechen.		
Français	Nous déclarons sous notre responsabilité que les produits auxquels se rapporte la présente déclaration, sont conformes à la/aux norme/s suivante ou au/aux document/s normatif/s suivant/s.		
EU Directive	Certificates	Standards Used / Notified Body Involvement	
2014/30/EU EMC	-	EN 61326-1:2013, EN 55011:2009+A1:2010, EN 61000-6-1:1995, EN 61000-6-2:2007	
2014/35/EU LVD	-	IEC 60950-1 ed.2	
2011/65/EU RoHS	-	EN 50581:2012	
Signature:			Place: <u>Rice Lake, WI USA</u>
Type Name:	<u>Richard Shipman</u>		Date: <u>May 3, 2019</u>
Title:	<u>Quality Manager</u>		



UK DECLARATION OF CONFORMITY

Rice Lake Weighing Systems
 230 West Coleman Street
 Rice Lake, Wisconsin 54868
 United States of America



Type: 820i and 920i series

English We declare under our sole responsibility that the products to which this declaration refers to, is in conformity with the following standard(s) or other regulations document(s).

UK Regulations	Certificates	Standards Used / Approved Body Involvement
2016/1101 Low Voltage	-	IEC 60950-1 ed.2
2016/1091 EMC	-	EN 61326-1:2013, EN 55011:2009+A1:2010, EN 61000-6-1:1995, EN 61000-6-2:2007
2012/3032 RoHS	-	EN 50581:2012

Signature: Brandi Harder

Place: Rice Lake, WI USA

Name: Brandi Harder

Date: December 30, 2021

Title: Quality Manager



© Rice Lake Weighing Systems Content subject to change without notice.

230 W. Coleman St. • Rice Lake, WI 54868 • USA USA: 800-472-6703 • International: +1-715-234-9171