

Limited Stock Available

DOUBLE-ENDED BEAM

**RL75016**

Alloy Steel, Environmentally Sealed, IP67



Picture is a representation of actual product.

Approvals



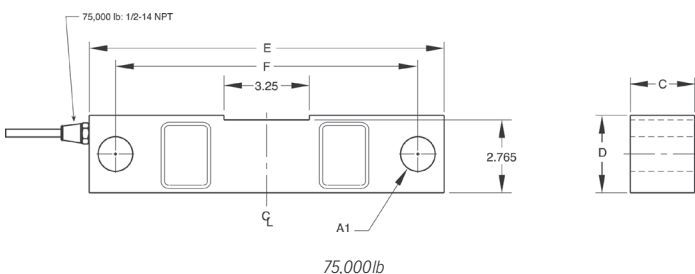
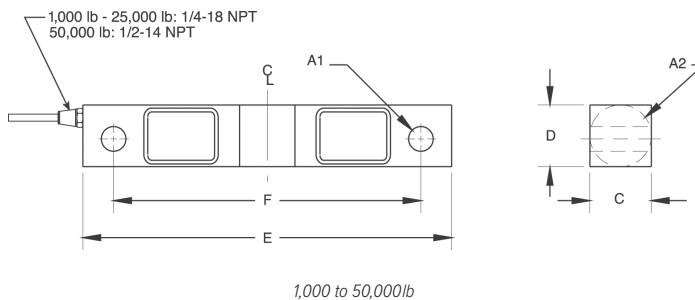
Order Information

Load Rating	Part #	Est. Weight	Price
1,000 lb	17300	4 lb	Consult
1,500 lb	17302	4 lb	Consult
2,000 lb	17304	4 lb	Consult
2,500 lb	17306	4 lb	Consult
3,000 lb	17308	4 lb	Consult
5,000 lb	17309	4 lb	Consult
10,000 lb	17311	7 lb	Consult
15,000 lb	17313	7 lb	Consult
20,000 lb	17315	7 lb	Consult
25,000 lb	17317	7 lb	Consult
50,000 lb	17319	25 lb	Consult
75,000 lb*	25357	27 lb	Consult

\*75,000lb capacity has a square center

Dimensions

Rated Capacity	A1	A2	C	D	E	F
lb/in						
1,000 to 5,000	0.50	1.25	1.25	1.25	7.50	6.25
10,000 to 25,000	0.81	1.99	1.44	1.94	8.75	7.50
50,000	1.31	3.00	2.44	2.94	13.50	11.50
75,000	1.31	—	2.44	2.94	13.50	11.50



Interchangeable Products

- RICE LAKE WEIGHING SYSTEMS
- RL77032.....page 130
- VPG® CELTRON®
- DSR.....page 195
- VPG® SENSORTRONICS®
- 65016.....page 290
- VPG® REVERE
- 5203

Weigh Module Available

- RICE LAKE WEIGHING SYSTEMS
- RL1600 Series.....page 70

Specifications

- Full Scale Output:** 3.0 mV/V
- Output Resistance:** 700 (± 5) ohm
- Input Resistance:** 770 (± 10) ohm
- Material/Finish:** High-alloy steel, nickel plated
- Temperature:** Operating: 0 °F to 150 °F (-18 °C to 65 °C)
- Seal Type:** Environmentally sealed, IP67
- Safe Overload:** 150% full scale
- Safe Sideload:** 100% full scale
- Rated Excitation:** 5 to 10 VDC (15 V maximum)
- Nonlinearity:** 0.03% full scale
- Hysteresis:** 0.02% full scale
- Insulation Resistance:** 5,000 megohm
- Deflection at Capacity:** 1,000 to 3,000 lb: 0.01 in  
5,000 lb: 0.015 in  
10,000 to 20,000 lb: 0.022 in  
25,000 lb: 0.036 in  
50,000 lb: 0.052 in  
75,000 lb: 0.07 in
- Cable Length:** 25 ft
- Cable Diameter:** 1,000 to 25,000 lb: 0.200 in  
50,000 to 75,000 lb: 0.305 in  
Polyurethane jacket
- Cable Color Code:** Red +Excitation  
Black -Excitation  
Green +Signal  
White -Signal
- Warranty:** Two-year limited
- Approvals:** cFMus

RICE LAKE  
LOAD CELLS