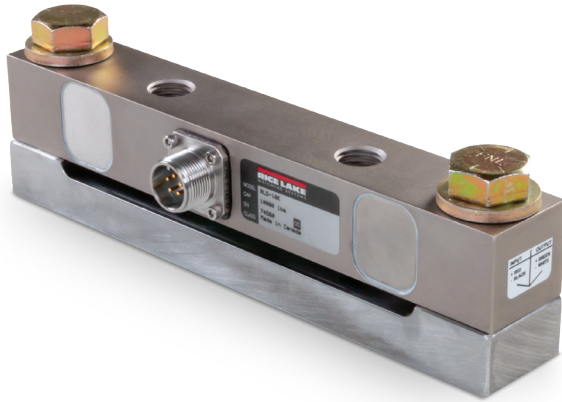


# RLD-10K Mounting Kit

Dynamic Application Weigh Modules



## Specifications

- Full Scale Output:**  
3.0 mV/V at 10,000 lb
- Output Resistance:**  
700 (nominal)
- Input Resistance:**  
780 (nominal)
- Material/Finish:**  
Alloy steel
- Temperature:**  
14° F to 104° F (-10° C to 40° C)
- Rated Excitation:**  
5-15 VDC
- Non-linearity:**  
±0.03% full scale
- Insulation Resistance:**  
10 gigohms at 50 VDC
- Seal Type:**  
Environmentally sealed, IP67
- Connector Type:**  
Amphenol, 5-pin (male)
- Connection Pin Out:**  
A - Excitation +  
B - Signal +  
C - Signal -  
D - Excitation -  
E - Shield
- Warranty:**  
One-year limited warranty

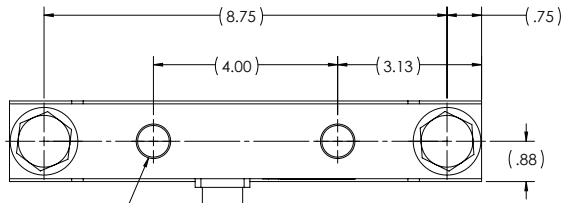
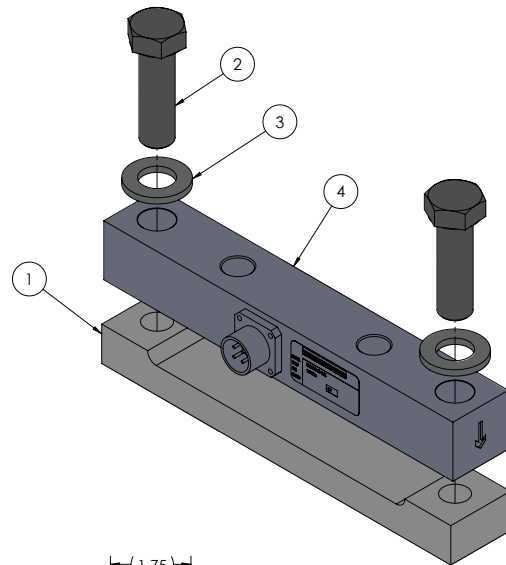
## Order Information

Picture is a representation of actual product

Load Rating	Part #	Price
Static 10,000 lbs	Dynamic 4,000 lbs	<b>120959</b>
		Consult

Item #	Part #	Description	Price	Kit Qty.
1	<b>115205</b>	Bearing Plate	Consult	1
2	<b>114242</b>	Bolt, 3/4-16 x 2-1/2	Consult	2
3	<b>114243</b>	Washer, 3/4	Consult	2
4	<b>120959</b>	Load Cell, RLD-10K	Consult	1

ONBOARD WEIGHING  
LOAD CELLS



2X 3/4-10 UNC 2A THRU ALL

