

# Load Cells / Weigh Modules

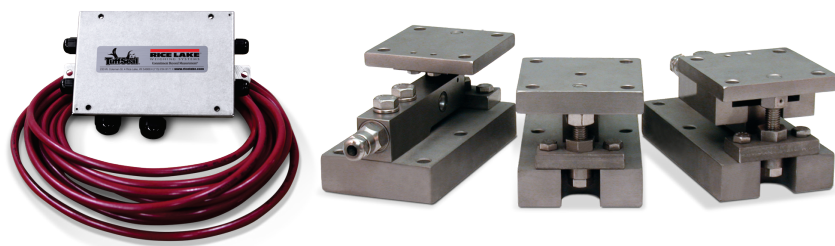
TABLE OF CONTENTS		
SURVIVOR® Paramounts® HE	652	
RL1700 HE	653	
RL1600 HE Series	654	
RL1855 HE-HS	655	
RL2100 HE	656	
ITCM	657	
ITCM SS	658	
ITCM HE	659	
RL50210TA	660	
65059	662	
RL50219SS-TA	664	
Paramounts® EP	666	
Paramounts® HS	668	
RLBTM	670	
RL1800 Series	671	
RL1800 Series with MLC Coated Load Cell	673	
RL1900 Series	674	
RLTM	675	
RL9000TWM Series	676	
RL9000TWM-HT	679	
RL2200 Series	680	
RL2200SS Series	681	
RLC	682	
220 Universal Mount	683	
EZ Mount 1 with RL72020	684	
EZ Mount 1 SS with RL72020SS	686	
EZ Mount 1 with MLC Coated RL72020	687	
EZ Mount 1 HE	688	
RL1600 Series with RL75016	689	
RL1600 Series with RL75016	690	
RL1600 Series with RL77032	691	
RL1600 Series with RL75016SS	692	
RL1600 SS Series with RL77032SS	693	
RL1600 Series with MLC Coated RL75016	694	
RL1600 HE Series with RL77032SS HE	695	
MVS Mount/MVS	696	
Translink™ Parallel Link	697	
Motor Truck Scale Electronic Conversion Kit	698	
MagnaMount™	699	
Mettler Toledo® DigiTOL® Retrofit Kit	700	
Rice Lake Analog Retrofit Kit	702	
Electronic Floor Scale Underdeck Kits	703	
S-BEAM		
RL20000I	704	
RL20000SS	705	
RL20000ST	706	
RL20001I	707	
RL20001HE	708	
RLETS	709	
SINGLE-ENDED BEAM		
RL32022	710	
RL32022-S	711	
RL32018	712	
RL32018 MLC Coated	713	
RL32018S	714	
RL32018S-P	715	
RL32018S-HE	716	
RL32019S-HE	717	
RL32218S-HE	718	
RL9018SS	719	
RL30000I	720	
RL30002 Thru Hole	721	
RLH35	722	
RL39123	723	
RL32018S-T	724	
RL35023S MLC Coated	725	
RLHTO	726	
RLSSB	727	
RLSB250/RLSB250T	728	
RL50219SS	729	
RL50210	730	
RL40BBS	731	
RL32011WB-L	732	
RL32011WB-T	733	
DOUBLE-ENDED BEAM		
RL72020	734	
RL72020SS	735	
RL72020 MLC Coated	736	
RL72019SS	737	
RL77032	738	
RL77032SS	739	
RL77032SS HE	740	
RL75016	741	
RL75016 MLC Coated	742	
RL75016SS	743	
RL75016SS-W	744	
RL75016WHE	745	
RL75058I for Rice Lake Coil Scale	746	
RL75058-LP	747	
RL75058S-LP	748	
RL75060S	749	
RL75223	750	
RLDB50000S	751	
RL75040	752	
COMPRESSION CANISTER		
RLCSP1	753	
RL8C2P1SST	754	
ROCKER COLUMN		
RL82021	755	
RLSCA-50K	756	
RL70510/RL80453	757	
RL75114-50K	758	
COMPRESSION DISK		
RL90000	759	
RLPC3SS	760	
RLPC4SS-HE	761	
SINGLE POINT		
RLPC6	762	
RLPWM15HE	763	
RLPWM15	764	
RLPCBC-60	765	
RL1521A	766	
RL1010	767	
RLSP4	768	
RLPWM12	769	
RLPWM16	770	
RL1042	771	
RL1040	772	
RL1140	773	
RL1380	774	
RL1385	775	
RL260FD	776	
RL26018A	777	
RL1218A	778	
RL42018A	779	
RLFLS	780	
PLANAR BEAM		
RLBLP	781	
TENSION LINK		
RL2010	782	
MSI Load Pin Sensors	783	
MSI Load Pin Questionnaire	784	
MSI Tension Link	785	
MSI Clamp-On	786	

Product names, logos, brands and other trademarks featured or referred to within this publication are the property of their respective trademark holders.

# SURVIVOR® Paramounts® HE

Medium-capacity Weigh Module Systems

LOAD CELLS / WEIGH MODULES



Picture is a representation of actual product.

## Order Information

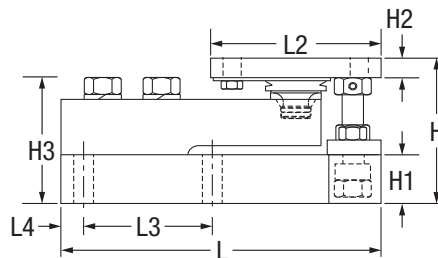
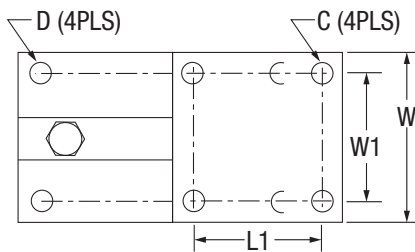
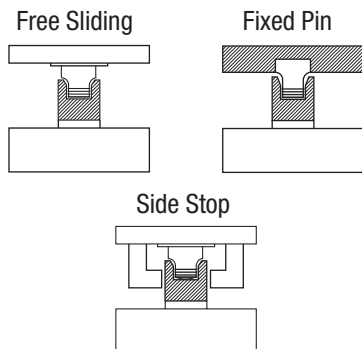
Load Rating (Per Module)	Part #	Price
<b>NTEP Certified/OIML C3 3-Module Kit</b>		
5 kN	29883	\$4,314.00
10 kN	29884	\$4,314.00
23 kN	29885	\$4,314.00
50 kN	29886	\$5,835.00
<b>NTEP Certified/OIML C3 4-Module Kit</b>		
5 kN	29879	\$5,734.00
10 kN	29880	\$5,734.00
23 kN	29881	\$5,734.00
50 kN	29882	\$7,378.00
<b>Non-NTEP Certified 3-Module Kit</b>		
5 kN	17991	\$4,200.00
10 kN	17992	\$4,200.00
23 kN	17993	\$4,200.00
50 kN	17994	\$5,460.00
100 kN	17995	\$6,220.00
<b>Non-NTEP Certified 4-Module Kit</b>		
5 kN	17998	\$5,480.00
10 kN	17999	\$5,480.00
23 kN	18000	\$5,480.00
50 kN	18001	\$6,906.00
100 kN	18002	\$8,644.00
*Conduit adapter, 1/2-14 NPT	17703	\$50.00

\*Must be factory installed

## Dimensions

Rated Capacity	C	D	H	H1	*H2	**H2	H3	L	L1	L2	L3	L4	W	W1
kN/in														
5 to 23	0.44	0.44	3.58	1.25	0.50	0.75	3.06	7.51	3.00	4.00	3.00	0.50	4.00	3.00
50	0.56	0.56	4.66	1.50	0.62	1.00	4.09	9.19	3.87	5.00	3.87	0.56	5.00	3.87
100	0.69	0.69	6.41	2.00	0.75	1.25	5.73	11.46	4.75	6.00	4.75	0.69	6.00	4.75

\*Side stop and free sliding units \*\*Fixed pin units



## Complete Kit Includes

- One fixed-pin module, one side-stop module, and one or two free-sliding assemblies. Each module is complete with a Flintec SB4 stainless steel hermetically sealed load cell.
- One JB4SS NEMA Type 4X stainless steel signal trim junction box
- 25 ft of our hostile environment EL147HE SURVIVOR load cell cable

## Standard Features

- All stainless steel construction
- Bolt-in-place design; module bolts directly to tank leg without requiring additional load buttons or mounting plates
- Load cell outputs are mV/V/ohm calibrated to minimize maintenance costs
- Unique design allows for thermal expansion/contraction
- Low-profile, self-checking design
- Jacking screw allows empty vessel to be lifted clear of load cell for maintenance
- Unique patented blind load hole technology minimizes unwanted side and eccentric loading
- Vessel is free to slide laterally on PTFE-coated surfaces

## Applications

- Medium-capacity blenders and tanks
- Batching/blending
- Pharmaceutical processing
- Food processing
- Petroleum refining and batching

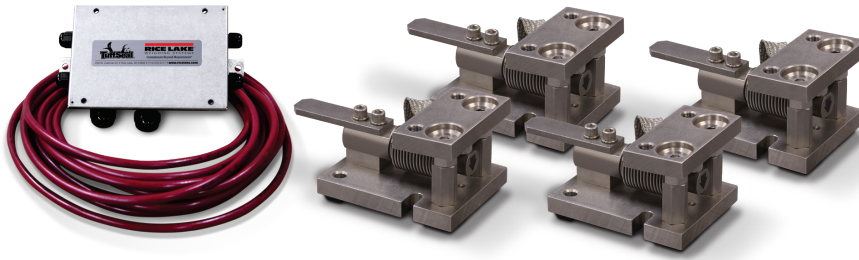
## Load Cell Approvals



# RL1700 HE

Light- to Medium-capacity Weigh Modules

LOAD CELLS / WEIGH MODULES



Picture is a representation of actual product.

## Order Information

Load Rating (Per Module)	Part #	Price
<b>Single Module (Includes Load Cell)</b>		
5 kg	32687	\$1,000.00
10 kg	32688	\$1,000.00
20 kg	32689	\$1,000.00
50 kg	32690	\$1,000.00
100 kg	32691	\$1,000.00
200 kg	32692	\$1,000.00
250 kg	32693	\$1,000.00
500 kg	32974	\$1,225.00
1,000 kg	32973	\$1,225.00
2,000 kg	32972	\$1,225.00
5,000 kg	32971	\$1,495.00
<b>3-Module Kit</b>		
5 kg	32920	\$3,215.00
10 kg	32921	\$3,215.00
20 kg	32922	\$3,215.00
50 kg	32923	\$3,215.00
100 kg	32924	\$3,215.00
200 kg	32925	\$3,215.00
250 kg	32926	\$3,215.00
500 kg	32980	\$3,875.00
1,000 kg	32981	\$3,875.00
2,000 kg	32982	\$3,875.00
5,000 kg	32983	\$4,785.00
<b>4-Module Kit</b>		
5 kg	32927	\$4,250.00
10 kg	32928	\$4,250.00
20 kg	32929	\$4,250.00
50 kg	32930	\$4,250.00
100 kg	32931	\$4,250.00
200 kg	32932	\$4,250.00
250 kg	32933	\$4,250.00
500 kg	32984	\$5,105.00
1,000 kg	32985	\$5,105.00
2,000 kg	32986	\$5,105.00
5,000 kg	32987	\$5,985.00

## Dimensions

Rated Capacity	C	B	*H1	**H2	L	L1	L2	L3	L4	L5	W	W1	W2	W3
kg/mm														
5 to 250	13.1	1/2-20 UNF	80.0	86.1	131.8	63.8	76.0	42.0	56.0	14.1	101.4	70.0	15.5	25.4
500 to 2,000	13.1	5/8-18 UNF	101.6	109.4	165.1	71.2	129.5	15.5	75.5	60.0	110.0	70.0	20.0	31.8
5,000	19.8	3/4-10 UNC	135.0	143.0	215.0	81.0	161.0	20.0	90.0	70.0	150.0	90.0	30.0	40.0

\* In weighing position \*\* In jacked-up position for load cell shipping or removal

## Complete Kit Includes

- Three or four RL1700 HE stainless steel compression mounts with NTEP Certified RL9018SS (5 to 250 kg) or RLHTO (500 to 5,000 kg) stainless steel, hermetically sealed single-ended beam load cells
- One JB4SS NEMA Type 4X stainless steel signal-trim junction box
- 25 ft of our hostile environment EL147HE SURVIVOR load cell cable

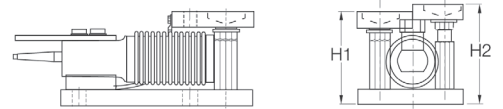
## Standard Features

- Capacities (per module) 5 kg to 5,000 kg
- All stainless steel, weldless construction retains less residue and allows fast, thorough cleaning
- Bolt-in-place design; module bolts directly to tank leg without requiring additional load buttons or mounting plates
- Self-checking with lift-off/tip-over protection and jacking/shipping bolts
- Load cell is isolated from overload in all directions

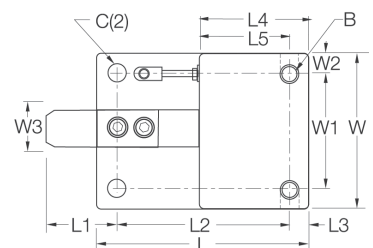
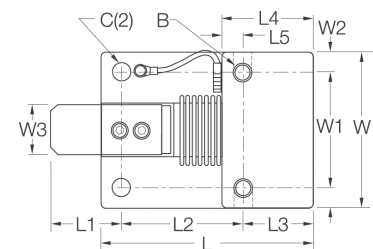
## Applications

- Multi-ingredient micro-batching
- Meat and poultry processing
- Batching/blending
- Dye/ink blending

## Load Cell Approvals



5 kg - 250 kg capacities



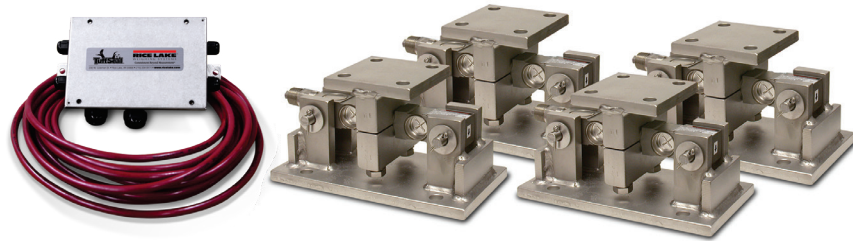
500 kg - 5000 kg capacities

# RL1600 HE Series

Medium-capacity with RL75016WHE Load Cells

**Discontinued**

LOAD CELLS /  
WEIGH MODULES



Picture is a representation of actual product.

## Complete Kit Includes

- Three or four RL1600 HE stainless steel compression mounts with RL75016WHE stainless steel, hermetically sealed double-ended shear beam load cells
- One JB4SS NEMA Type 4X stainless steel signal trim junction box
- 25 ft of our hostile environment EL147HE SURVIVOR load cell cable

## Standard Features

- All stainless steel construction
- Self-checking, easy-to-use design allows module to be bolted directly to tank leg without requiring additional mounting plates or load buttons
- Center loaded

## Applications

- Medium-capacity tanks, bins and hoppers
- Bulk material management
- Ingredient batching, mixing and blending

## Load Cell Approvals



## Order Information

Load Rating (Per Module)	Part #	Price
<b>Single Mount Does Not Include Load Cells</b>		
1,000 to 5,000 lb	17813	\$685.00
10,000 to 25,000 lb	17815	\$1,345.00
<b>3-Module Kit</b>		
1,000 lb	46723	\$4,500.00
1,500 lb	119673	\$4,500.00
2,000 lb	119675	\$4,500.00
2,500 lb	46724	\$4,500.00
5,000 lb	46725	\$4,500.00
10,000 lb	46726	\$6,725.00
15,000 lb	46727	\$6,725.00
20,000 lb	84664	\$6,725.00
25,000 lb	46728	\$6,725.00
<b>4-Module Kit</b>		
1,000 lb	46729	\$5,865.00
1,500 lb	119674	\$5,865.00
2,000 lb	119676	\$5,865.00
2,500 lb	46730	\$5,865.00
5,000 lb	46731	\$5,865.00
10,000 lb	46732	\$8,800.00
15,000 lb	46733	\$8,800.00
20,000 lb	84665	\$8,800.00
25,000 lb	46734	\$8,800.00
<b>Dummy Load Cells (Mild Steel)</b>		
1,000 to 5,000 lb	18236	\$26.00
10,000 to 25,000 lb	18237	\$42.00

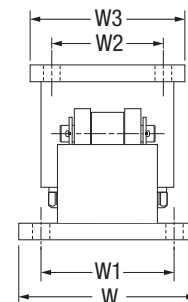
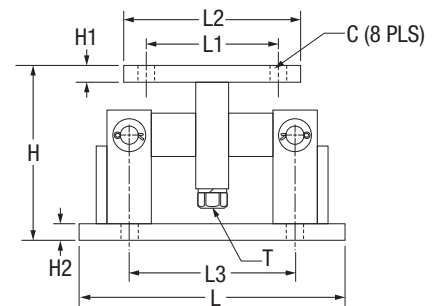
## Shims\*

Part #	Price
<b>1,000 to 5,000 lb</b>	
0.0625	150852 \$7.00
0.125	150853 \$12.00
0.250	150854 \$18.00
<b>10,000 to 25,000 lb</b>	
0.0625	150855 \$19.00
0.125	150856 \$30.00
0.250	150857 \$65.00

\*Shims match the top plate

## Dimensions

Rated Capacity	C	H	H1	H2	L	L1	L2	L3	T	W	W1	W2	W3
lb/in													
1,000 to 5,000	0.56	5.00	0.50	0.50	9.25	2.75	4.00	6.25	1/2-13 UNC	5.00	3.75	2.75	4.00
10,000 to 25,000	0.78	7.87	0.75	0.75	12.00	6.00	8.00	7.50	3/4-10 UNC	8.00	6.00	6.00	8.00



# RL1855 HE-HS

Medium-capacity Weigh Modules

LOAD CELLS /  
WEIGH MODULES



Picture is a representation of actual product.

## Complete Kit Includes

- Three or four RL1855 HE stainless steel mounts with RL32218S-HE NTEP Certified hermetically sealed stainless steel load cells
- One JB4SS NEMA Type 4X stainless steel signal trim junction box
- 25 ft of hostile environment EL147HE SURVIVOR load cell cable

## Standard Features

- NTEP Certified load cells, 5,000 d Class III multiple load cell
- All stainless steel construction
- Self-checking design with lift off/tip off protection

## Applications

- Medium-capacity hoppers, bins and tanks
- Batching/blending

## Load Cell Approvals

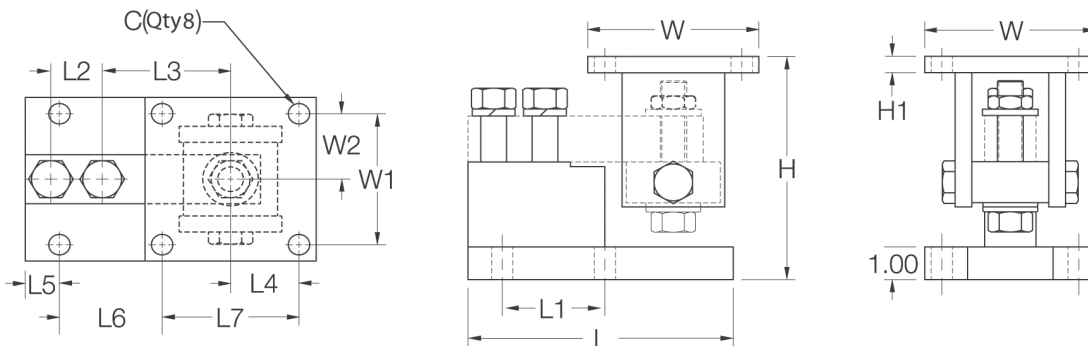


## Order Information

Load Rating (Per Module)	Part #	Price
<b>Single Modules (Includes Load Cell)</b>		
1,000 lb	170857	\$1,065.00
2,500 lb	170858	\$1,065.00
4,000 lb	170859	\$1,065.00
5,000 lb	170860	\$1,150.00
10,000 lb	170861	\$1,150.00
<b>3-Module Kit</b>		
1,000 lb	170862	\$3,354.00
2,500 lb	170863	\$3,354.00
4,000 lb	170864	\$3,354.00
5,000 lb	170865	\$3,615.00
10,000 lb	170866	\$3,615.00
<b>4-Module Kit</b>		
1,000 lb	170867	\$4,360.00
2,500 lb	170868	\$4,360.00
4,000 lb	170869	\$4,360.00
5,000 lb	170870	\$4,765.00
10,000 lb	170871	\$4,765.00

## Dimensions

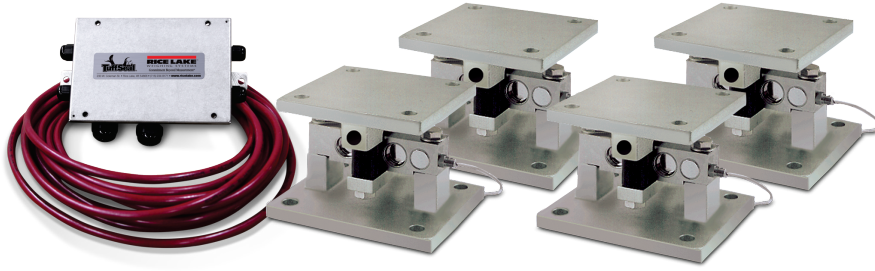
Rated Capacity C	H min/ max	H1	L	L1	L2	L3	L4	L5	L6	L7	W	W1	W2	
lb/in														
1,000 to 4,000	0.62	5.25/5.56	0.50	6.00	2.00	1.00	3.00	2.00	0.68	1.94	4.00	5.00	4.00	2.00
5,000 to 10,000	0.62	6.12/6.62	0.50	7.75	3.00	1.50	3.75	2.00	1.03	2.97	4.00	5.00	4.00	2.00



# RL2100 HE

Heavy-capacity Weigh Modules

LOAD CELLS /  
WEIGH MODULES



Picture is a representation of actual product.

## Complete Kit Includes

- Three or four RL2100 HE stainless steel compression mounts with NTEP Certified RL75060S or RL75058S-LP stainless steel, welded seal double-ended beam load cells
- One JB4SS NEMA Type 4X stainless steel signal-trim junction box
- 25 ft of our hostile environment EL147HE SURVIVOR load cell cable

## Standard Features

- NTEP Certified load cells, 5,000 d, Class III/10,000 d, Class III multiple cell
- All stainless steel construction
- Bolt-in-place design; module bolts directly to tank leg without requiring additional load buttons or mounting plates
- Self-checking design with lift-off/tip-over protection

## Applications

- Heavy-capacity tanks, blenders, reactors and bulk inventory management
- Petroleum refining process control
- Blending/batching

## Load Cell Approvals

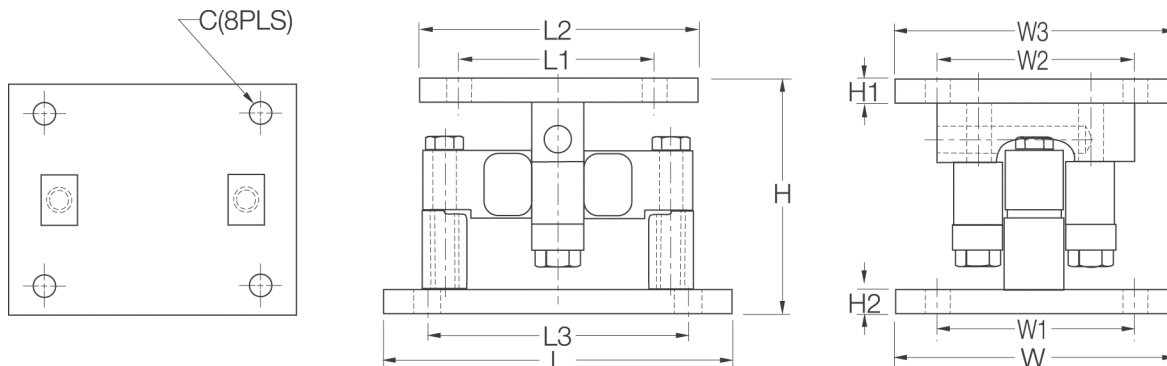


## Order Information

Load Rating (Per Module)	Part #	Price
<b>Single Module (Includes Load Cell)</b>		
20,000 lb	32951	\$1,822.00
25,000 lb	65541	\$1,785.00
35,000 lb	32952	\$2,860.00
50,000 lb	32953	\$2,860.00
60,000 lb	32954	\$2,860.00
75,000 lb	32955	\$2,860.00
100,000 lb	32956	\$4,895.00
<b>3-Module Kit</b>		
20,000 lb	32970	\$5,608.00
25,000 lb	65984	\$5,608.00
35,000 lb	32969	\$8,861.00
50,000 lb	32968	\$8,861.00
60,000 lb	32967	\$8,861.00
75,000 lb	32966	\$8,861.00
100,000 lb	32965	\$14,583.00
<b>4-Module Kit</b>		
20,000 lb	32964	\$7,404.00
25,000 lb	65983	\$7,404.00
35,000 lb	32963	\$11,382.00
50,000 lb	32962	\$11,382.00
60,000 lb	32961	\$11,382.00
75,000 lb	32960	\$11,382.00
100,000 lb	32959	\$19,362.00

## Dimensions

Rated Capacity	C	H	H1	H2	L	L1	L2	L3	W	W1	W2	W3
lb/in												
20,000 to 25,000	0.78	6.85	0.75	0.75	10.00	6.00	8.00	7.50	8.00	6.00	6.00	8.00
35,000 to 100,000	1.13	9.42	1.00	1.00	14.00	6.50	9.00	11.50	10.00	7.50	6.50	9.00





Module with  
RL200001 S-beam load cell

### Complete Kit Includes

- Three or four ITCM assemblies with RL200001 NTEP Certified S-beam load cells
- One JB4SS NEMA Type 4X stainless steel signal trim junction box
- 25 ft of hostile environment EL147HE SURVIVOR® load cell cable

### Standard Features

- Capacities (per module): 100 to 20,000 lb
- Clevis mounts with nylon insulating washers
- Zinc-plated clevis assemblies
- Load cell is completely isolated from stray currents (except 20,000 lb)
- Grounding strap provides alternative path to ground
- Complete package for ease of installation
- Provides correct loading even in difficult installations
- Lower overall height compared to other isolated tension assemblies

### Applications

- Suspended hoppers and tanks
- Mechanical scale conversions
- Use as a single module or in multiples

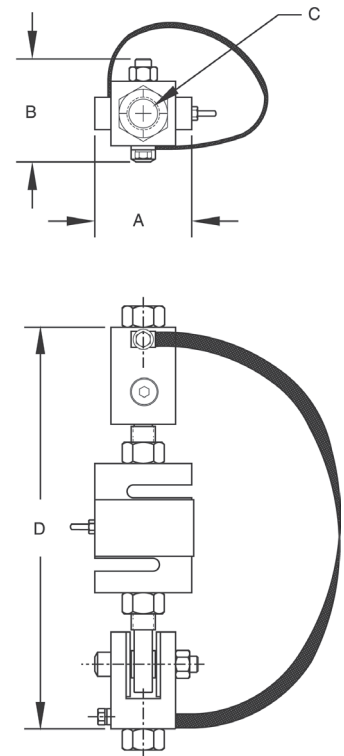
Picture is a representation of actual product.

### Load Cell Approvals



### Load Rating Dimensions Per Module

Load Cell Capacity lb/in	Dimensions				Single Module		3-Module Kit		4-Module Kit	
	A	B	C	D	Module	Price	Kit	Price	Kit	Price
100	2.00	1.81	3/8-16 UNC 1/2-13 UNC	7.00 (ref)	<b>17851</b> <b>17831</b>	\$566.00 \$566.00	<b>18003</b> <b>18004</b>	\$1,995.00 \$1,995.00	<b>18027</b> <b>18028</b>	\$2,573.00 \$2,573.00
150	2.00	1.81	3/8-16 UNC 1/2-13 UNC	7.00 (ref)	<b>30337</b> <b>30336</b>	\$566.00 \$566.00	<b>30357</b> <b>30358</b>	\$1,995.00 \$1,995.00	<b>30359</b> <b>30360</b>	\$2,573.00 \$2,573.00
200	2.00	1.81	3/8-16 UNC 1/2-13 UNC	7.00 (ref)	<b>30335</b> <b>30338</b>	\$566.00 \$566.00	<b>30361</b> <b>30362</b>	\$1,995.00 \$1,995.00	<b>30363</b> <b>30364</b>	\$2,573.00 \$2,573.00
250	2.00	1.81	3/8-16 UNC 1/2-13 UNC	7.00 (ref)	<b>17852</b> <b>17832</b>	\$566.00 \$566.00	<b>18005</b> <b>18006</b>	\$1,995.00 \$1,995.00	<b>18029</b> <b>18030</b>	\$2,573.00 \$2,573.00
500	2.68	2.68	1/2-13 UNC 5/8-11 UNC 3/4-10 UNC	9.50 (ref)	<b>17853</b> <b>17858</b> <b>17833</b>	\$619.00 \$619.00 \$619.00	<b>18007</b> <b>18008</b> <b>18009</b>	\$2,138.00 \$2,138.00 \$2,138.00	<b>18031</b> <b>18032</b> <b>18033</b>	\$2,762.00 \$2,762.00 \$2,762.00
750	2.68	2.68	1/2-13 UNC 5/8-11 UNC 3/4-10 UNC	9.50 (ref)	<b>17854</b> <b>17859</b> <b>17834</b>	\$619.00 \$619.00 \$619.00	<b>18010</b> <b>18011</b> <b>18012</b>	\$2,138.00 \$2,138.00 \$2,138.00	<b>18034</b> <b>18035</b> <b>18036</b>	\$2,762.00 \$2,762.00 \$2,762.00
1,000	2.68	2.68	1/2-13 UNC 5/8-11 UNC 3/4-10 UNC	9.50 (ref)	<b>17855</b> <b>17860</b> <b>17835</b>	\$619.00 \$619.00 \$619.00	<b>18013</b> <b>18014</b> <b>18015</b>	\$2,138.00 \$2,138.00 \$2,138.00	<b>18037</b> <b>18038</b> <b>18039</b>	\$2,762.00 \$2,762.00 \$2,762.00
1,500	2.68	2.68	1/2-13 UNC 5/8-11 UNC 3/4-10 UNC	9.50 (ref)	<b>17856</b> <b>17861</b> <b>17836</b>	\$619.00 \$609.00 \$609.00	<b>18016</b> <b>18017</b> <b>18018</b>	\$2,138.00 \$2,138.00 \$2,138.00	<b>18040</b> <b>18041</b> <b>18042</b>	\$2,762.00 \$2,762.00 \$2,762.00
2,000	2.68	2.68	1/2-13 UNC 5/8-11 UNC 3/4-10 UNC	9.50 (ref)	<b>17857</b> <b>17862</b> <b>17837</b>	\$609.00 \$619.00 \$619.00	<b>18019</b> <b>18020</b> <b>18021</b>	\$2,138.00 \$2,138.00 \$2,138.00	<b>18043</b> <b>18044</b> <b>18045</b>	\$2,762.00 \$2,762.00 \$2,762.00
2,500	2.68	2.68	5/8-11 UNC 3/4-10 UNC	9.50 (ref)	<b>17863</b> <b>17838</b>	\$619.00 \$619.00	<b>18022</b> <b>18023</b>	\$2,138.00 \$2,138.00	<b>18046</b> <b>18047</b>	\$2,762.00 \$2,762.00
3,000	3.37	3.37	3/4-10 UNC	10.50 (ref)	<b>30339</b>	\$646.00	<b>30365</b>	\$2,229.00	<b>30366</b>	\$2,873.00
5,000	3.37	3.37	3/4-10 UNC 1-8 UNC	12.25 (ref)	<b>17864</b> <b>17839</b>	\$842.00 \$842.00	<b>18024</b> <b>18025</b>	\$2,773.00 \$2,773.00	<b>18048</b> <b>18049</b>	\$3,657.00 \$3,657.00
10,000	3.37	3.37	1-8 UNC	12.25 (ref)	<b>17840</b>	\$842.00	<b>18026</b>	\$2,773.00	<b>18050</b>	\$3,657.00
15,000	4.00	4.12	1 1/4-7 UNC	18.00 (ref)	<b>17960</b>	\$1,756.00	<b>30353</b>	\$5,642.00	<b>30354</b>	\$7,406.00
20,000	5.00	4.12	1 1/2-6 UNC	20.00 (ref)	<b>17961</b>	\$2,064.00	<b>30355</b>	\$5,642.00	<b>30356</b>	\$8,630.00



# ITCM SS

Stainless Steel, Isolated Tension Cell Modules

LOAD CELLS /  
WEIGH MODULES



Module with  
RL20000ST S-beam load cell

## Complete Kit Includes

- Three or four ITCM assemblies with RL20000ST NTEP Certified S-beam load cells
- One JB4SS NEMA Type 4X stainless steel signal trim junction box
- 25 ft of hostile environment EL147HE SURVIVOR® load cell cable

## Standard Features

- Capacities (per module): 100 to 5,000 lb
- Clevis mounts with nylon insulating washers
- PTFE lined rod-end ball joints
- Load cell is completely isolated from stray currents
- Grounding strap provides alternative path to ground
- Complete package for ease of installation
- Provides correct loading even in difficult installations
- Lower overall height compared to other isolated tension assemblies

## Applications

- Suspended hoppers and tanks
- Mechanical scale conversions
- Use as a single module or in multiples

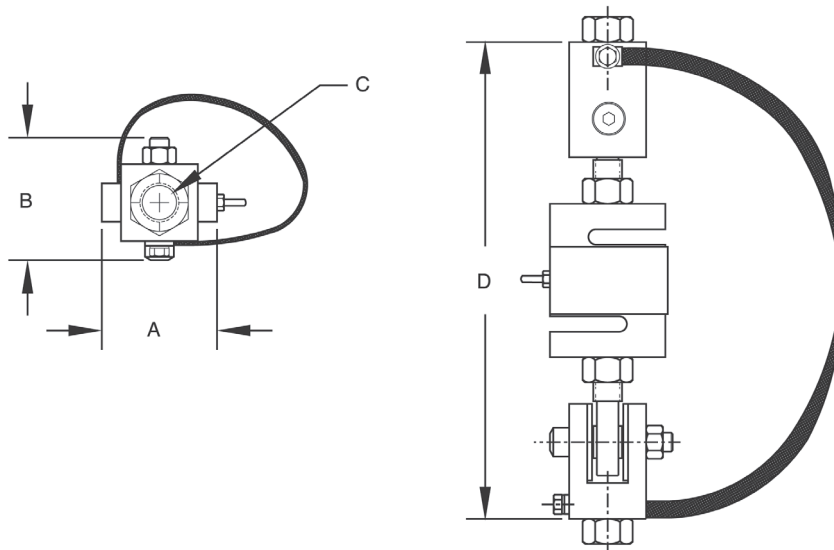
Picture is a representation of actual product.

## Load Cell Approvals



## Load Rating Dimensions Per Module

Load Cell Capacity lb/in	A	B	C	D	Single Module		3-Module Kit		4-Module Kit	
						Price		Price		Price
100	2.00	1.81	3/8-16 UNC 1/2-13 UNC	7.00 (ref)	46765	\$892.00	46735	\$2,809.00	46751	\$3,598.00
					46766	\$892.00	46736	\$2,809.00	46752	\$3,598.00
250	2.00	1.81	3/8-16 UNC 1/2-13 UNC	7.00 (ref)	46767	\$892.00	46737	\$2,809.00	46753	\$3,598.00
					46768	\$892.00	46738	\$2,809.00	46754	\$3,598.00
500	2.68	2.68	1/2-13 UNC 5/8-11 UNC	9.50 (ref)	46769	\$892.00	46739	\$2,809.00	46755	\$3,598.00
					46770	\$892.00	46740	\$2,809.00	46756	\$3,598.00
750	2.68	2.68	1/2-13 UNC 5/8-11 UNC	9.50 (ref)	46771	\$892.00	46741	\$2,809.00	46757	\$3,598.00
					46772	\$892.00	46742	\$2,809.00	46758	\$3,598.00
1,000	2.68	2.68	1/2-13 UNC 5/8-11 UNC	9.50 (ref)	46773	\$892.00	46743	\$2,809.00	46759	\$3,598.00
					46774	\$892.00	46744	\$2,809.00	46760	\$3,598.00
2,500	2.68	2.68	5/8-11 UNC 3/4-10 UNC	9.50 (ref)	46775	\$892.00	46745	\$2,809.00	46761	\$3,598.00
					46776	\$892.00	46746	\$2,809.00	46762	\$3,598.00
3,000	3.37	3.37	3/4-10 UNC	10.75 (ref)	46777	\$962.00	46747	\$3,105.00	46763	\$3,890.00
					46778	\$1,651.00	46748	\$5,103.00	46764	\$6,608.00



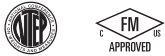




Module with  
RL20001HE S-beam load cell

Picture is a representation of actual product.

### Load Cell Approvals



### Complete Kit Includes

- Three or four ITCM assemblies with RL20001HE NTEP Certified S-beam load cells stainless steel, welded-seal
- One JB4SS NEMA Type 4X stainless steel signal trim junction box
- 25 ft of hostile environment EL147HE SURVIVOR® load cell cable

### Standard Features

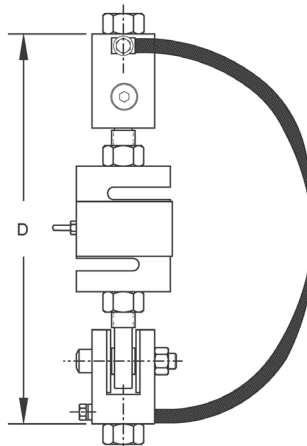
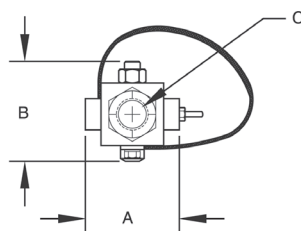
- Capacities (per module): 500 to 5,000 lb
- Clevis mounts with nylon insulating washers
- PTFE lined rod-end ball joints
- Load cell is completely isolated from stray currents
- Grounding strap provides alternative path to ground
- Complete package for ease of installation
- Provides correct loading even in difficult installations
- Lower overall height compared to other isolated tension assemblies

### Applications

- Suspended hoppers and tanks
- Mechanical scale conversions
- Use as a single module or in multiples

### Load Rating Dimensions Per Module

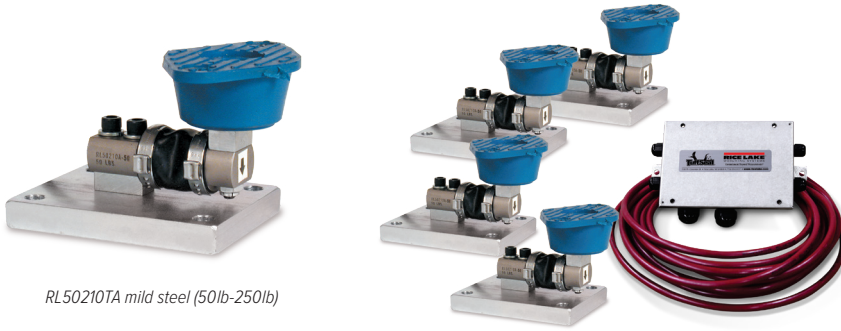
Load Cell Capacity lb/in	A	B	C	D	Single Module	Price	3-Module Kit	Price	4-Module Kit	Price
500	2.68	2.68	1/2-13 UNC 5/8-11 UNC 3/4-10 UNC	9.50 (ref)	46599	\$1,618.00	46561	\$4,702.00	46580	\$6,269.00
750	2.68	2.68	1/2-13 UNC 5/8-11 UNC 3/4-10 UNC	9.50 (ref)	46600	\$1,618.00	46562	\$4,702.00	46581	\$6,269.00
1,000	2.68	2.68	1/2-13 UNC 5/8-11 UNC 3/4-10 UNC	9.50 (ref)	46601	\$1,618.00	46563	\$4,702.00	46582	\$6,269.00
1,500	2.68	2.68	1/2-13 UNC 5/8-11 UNC 3/4-10 UNC	9.50 (ref)	46602	\$1,618.00	46564	\$4,702.00	46583	\$6,269.00
2,000	2.68	2.68	1/2-13 UNC 5/8-11 UNC 3/4-10 UNC	9.50 (ref)	46603	\$1,618.00	46565	\$4,702.00	46584	\$6,269.00
2,500	2.68	2.68	5/8-11 UNC 3/4-10 UNC	9.50 (ref)	46604	\$1,618.00	46566	\$4,702.00	46585	\$6,269.00
3,000	3.37	3.37	3/4-10 UNC	10.00 (ref)	46605	\$1,618.00	46567	\$4,702.00	46586	\$6,269.00
5,000	3.37	3.37	3/4-10 UNC	12.62 (ref)	46606	\$1,618.00	46568	\$4,702.00	46587	\$6,269.00
					46607	\$1,618.00	46569	\$4,702.00	46588	\$6,269.00
					46608	\$1,618.00	46570	\$4,702.00	46589	\$6,269.00
					46609	\$1,618.00	46571	\$4,702.00	46590	\$6,269.00
					46610	\$1,618.00	46572	\$4,702.00	46591	\$6,269.00
					46611	\$1,618.00	46573	\$4,702.00	46592	\$6,269.00
					46612	\$1,618.00	46574	\$4,702.00	46593	\$6,269.00
					46613	\$1,618.00	46575	\$4,702.00	46594	\$6,269.00
					46614	\$1,618.00	46576	\$4,702.00	46595	\$6,269.00
					46615	\$1,618.00	46577	\$4,702.00	46596	\$6,269.00
					46616	\$1,618.00	46578	\$4,702.00	46597	\$6,269.00
					46617	\$2,399.00	46579	\$7,042.00	46598	\$9,338.00



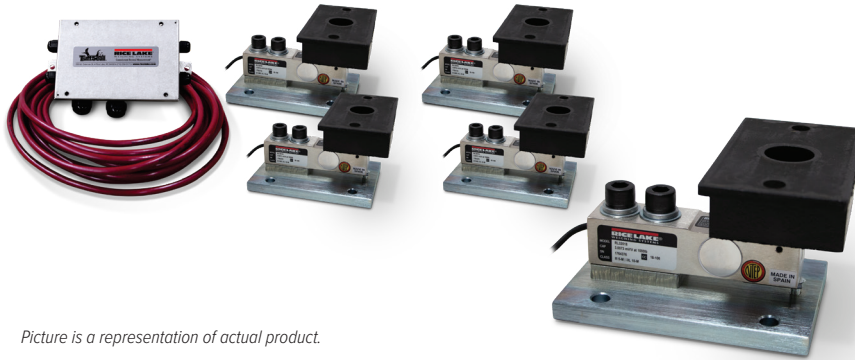
# RL50210TA

Mild Steel/Stainless Steel, Mini Tank Weighing Module

LOAD CELLS /  
WEIGH MODULES



RL50210TA mild steel (50lb-250lb)



Picture is a representation of actual product.

## Load Cell Approvals



NTEP Certified 1,000lb mild steel load cell shown.

## Complete Kit Includes

- Three or four neoprene isolation/compression mounts with load cells
  - 50 to 250 lb mild steel: RL50210
  - 500 lb mild steel: RL30000 or equivalent
  - 1,000 to 2,500 lb mild steel: RL32018
  - 500 lb stainless steel: RL39123 or equivalent
  - 1,000 to 2,500 lb stainless steel: RL32018S
- One JB4SS NEMA Type 4X stainless steel signal trim junction box
- 25 ft of hostile environment EL147HE SURVIVOR® load cell cable

## Standard Features

- NTEP Certified load cells (1,000 lb, 2,000 lb and 2,500 lb only)
- Zinc plated mild steel or stainless steel assemblies
- Weighing ranges from 50 to 2,500 lb per module
- Neoprene isolation mounts allow for minor misalignment, thermal expansion and shock absorption
- Overload stop provides durability

## Applications

- Small tanks and hoppers
- Conveyor/In-motion weighing
- Small platform scales where minor shock loading may occur

## Optional Features

- Stainless steel modules available in 500 lb capacities with RL39123 stainless steel load cells

## Order Information

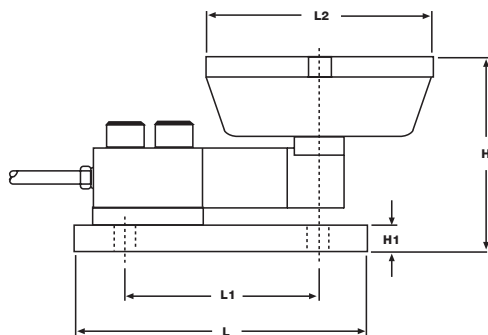
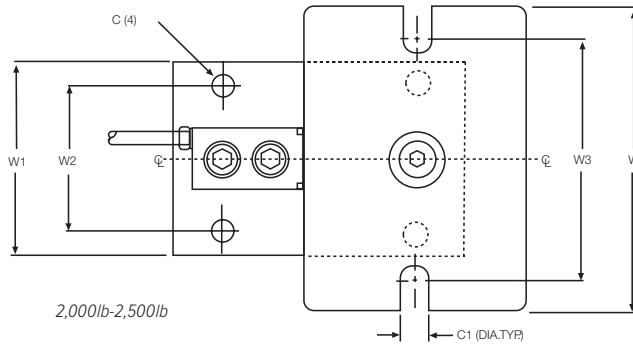
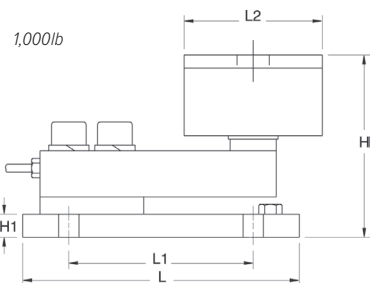
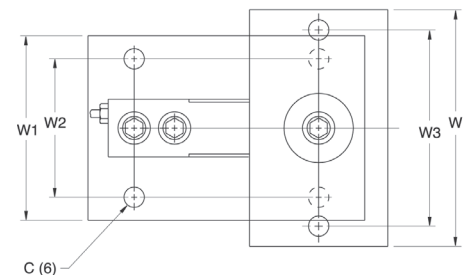
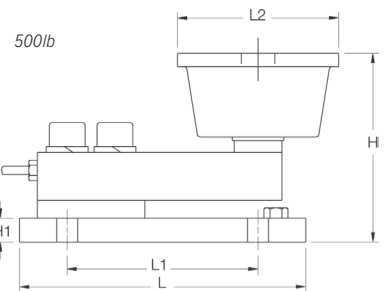
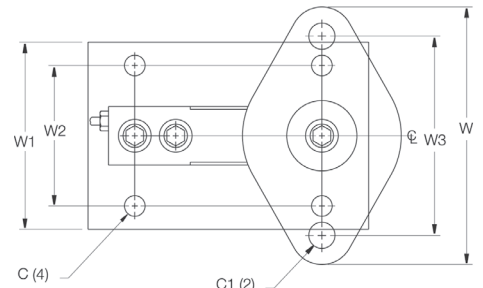
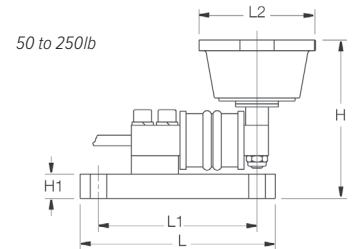
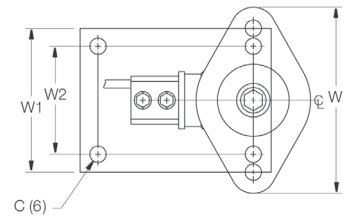
Load Rating (Per Module)	Part #	Price
<b>Non-NTEP Certified Mild Steel Single Module (Includes Load Cell)</b>		
50 lb	17844	\$470.00
100 lb	17845	\$470.00
150 lb	17846	\$470.00
250 lb	17847	\$470.00
500 lb	17848	\$625.00
<b>NTEP Certified Mild Steel Single Module (Includes Load Cell)</b>		
1,000 lb	17849	\$625.00
2,000 lb	17948	\$625.00
2,500 lb	17949	\$625.00
<b>Non-NTEP Certified Mild Steel 3-Module Kit</b>		
50 lb	18051	\$1,645.00
100 lb	18052	\$1,645.00
150 lb	18053	\$1,645.00
250 lb	18054	\$1,645.00
500 lb	18055	\$2,135.00
<b>NTEP Certified Mild Steel 3-Module Kit</b>		
1,000 lb	18056	\$2,135.00
2,000 lb	30398	\$2,135.00
2,500 lb	30396	\$2,135.00
<b>Non-NTEP Certified Mild Steel 4-Module Kit</b>		
50 lb	18057	\$2,115.00
100 lb	18058	\$2,115.00
150 lb	18059	\$2,115.00
250 lb	18060	\$2,115.00
500 lb	18061	\$2,700.00

## Order Information

Load Rating (Per Module)	Part #	Price
<b>NTEP Certified Mild Steel 4-Module Kit</b>		
1,000 lb	18062	\$2,700.00
2,000 lb	30397	\$2,700.00
2,500 lb	30395	\$2,700.00
<b>Stainless Steel Single Module (Includes Load Cell)</b>		
500 lb	17954	\$735.00
1,000 lb	17955	\$695.00
2,000 lb	17956	\$695.00
2,500 lb	17957	\$695.00
<b>Stainless Steel 3-Module Kit</b>		
500 lb	30394	\$2,435.00
1,000 lb	30404	\$2,435.00
2,000 lb	30402	\$2,435.00
2,500 lb	30400	\$2,435.00
<b>Stainless Steel 4-Module Kit</b>		
500 lb	30393	\$3,190.00
1,000 lb	30403	\$3,190.00
2,000 lb	30401	\$3,190.00
2,500 lb	30399	\$3,190.00

## Dimensions

Rated Capacity	C	C1	H	H1	L	L1	L2	W	W1	W2	W3
lb/in											
50 to 250	0.34	-	3.13	0.50	4.00	3.25	2.38	3.88	3.00	2.25	-
500	0.44	0.56	3.88	0.50	6.00	4.00	3.38	5.50	4.00	3.00	4.13
1,000	0.44	-	4.00	0.50	6.00	4.00	3.00	5.13	4.00	3.00	4.13
2,000 to 2,500	0.44	0.56	4.00	0.50	6.00	4.00	4.62	6.25	4.00	3.00	5.00



# 65059

Mild Steel/Stainless Steel, Mini Tank Weighing Module, VPG® Sensortronics®

LOAD CELLS /  
WEIGH MODULES

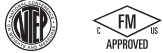


NTEP Certified 1,000lb load cell shown.

65059 mild steel (50lb-250lb)

Picture is a representation of actual product.

## Load Cell Approvals



## Order Information

Load Rating (Per Module)	Part #	Price
<b>Mild Steel Single Module (Includes Load Cell)</b>		
50 lb	17825	\$470.00
100 lb	17826	\$470.00
150 lb	17827	\$470.00
250 lb	17828	\$470.00
500 lb	17829	\$625.00
1,000 lb	17830	\$625.00
2,000 lb	17946	\$625.00
2,500 lb	17947	\$625.00
<b>Mild Steel 3-Module Kit</b>		
50 lb	18063	\$1,645.00
100 lb	18064	\$1,645.00
150 lb	18065	\$1,645.00
250 lb	18066	\$1,645.00
500 lb	18067	\$2,135.00
1,000 lb	18068	\$2,135.00
2,000 lb	30413	\$2,088.00
2,500 lb	30412	\$2,135.00
<b>Mild Steel 4-Module Kit</b>		
50 lb	18069	\$2,115.00
100 lb	18070	\$2,115.00
150 lb	18071	\$2,115.00
250 lb	18072	\$2,115.00
500 lb	18073	\$2,700.00
1,000 lb	18074	\$2,645.00
2,000 lb	30414	\$2,700.00
2,500 lb	30411	\$2,700.00

## Complete Kit Includes

- Three or four neoprene isolation/compression mounts with NTEP Certified load cells
  - 50 to 250 lb mild steel: 60040
  - 500 lb mild steel: 65023-500-0107
  - 1,000 to 2,500 lb mild steel: 65023A1K-5107
  - 500 lb stainless steel: 65023-500-0113
  - 1,000 to 2,500 lb stainless steel: 65023S1K-5113
- One JB4SS NEMA Type 4X stainless steel signal trim junction box
- 25 ft of hostile environment EL147HE SURVIVOR® load cell cable

## Standard Features

- Zinc plated, mild steel modules
- Lower weighing ranges from 50 to 500 lb per module
- Environmentally protected load cells
- Neoprene isolation/compression mounts allow for minor misalignment, thermal expansion and shock absorption
- Overload stop for 500 lb modules provides durability

## Applications

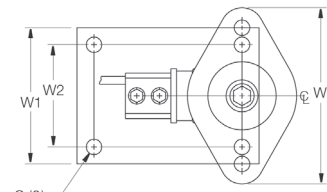
- Small tanks and hoppers
- Conveyor/In-motion weighing
- Small platform scales where minor shock loading may occur

## Order Information

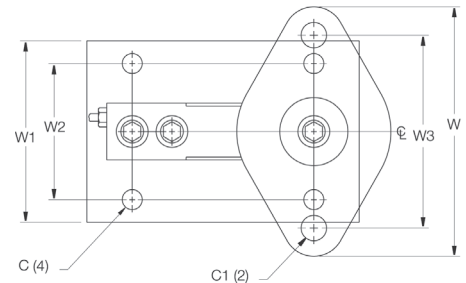
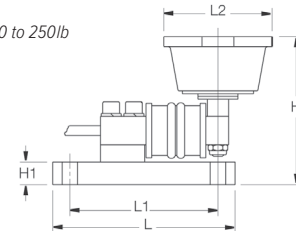
Load Rating (Per Module)	Part #	Price
<b>Stainless Steel Single Module (Includes Load Cell)</b>		
500 lb	17950	\$735.00
1,000 lb	17951	\$735.00
2,000 lb	17952	\$735.00
2,500 lb	17953	\$735.00
<b>Stainless Steel 3-Module Kit</b>		
500 lb	30392	\$2,435.00
1,000 lb	30410	\$2,435.00
2,000 lb	30408	\$2,435.00
2,500 lb	30406	\$2,435.00
<b>Stainless Steel 4-Module Kit</b>		
500 lb	30391	\$3,190.00
1,000 lb	30409	\$3,190.00
2,000 lb	30407	\$3,190.00
2,500 lb	30405	\$3,190.00

## Dimensions

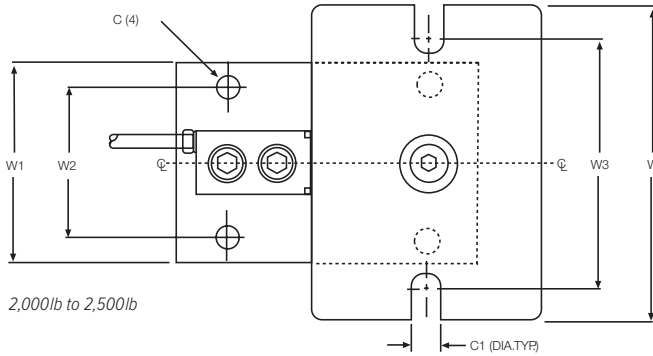
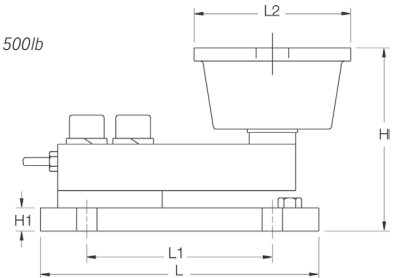
Rated Capacity	C	C1	H	H1	L	L1	L2	W	W1	W2	W3
lb/in											
50 to 250	0.34	-	3.13	0.50	4.00	3.25	2.38	3.88	3.00	2.25	-
500	0.44	0.56	3.88	0.50	6.00	4.00	3.38	5.50	4.00	3.00	4.13
1,000	0.44	-	4.00	0.50	6.00	4.00	3.00	5.13	4.00	3.00	4.13
2,000 to 2,500	0.44	0.56	4.00	0.50	6.00	4.00	4.62	6.25	4.00	3.00	5.00



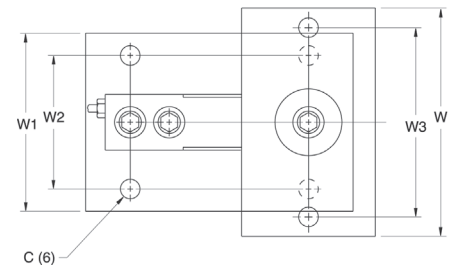
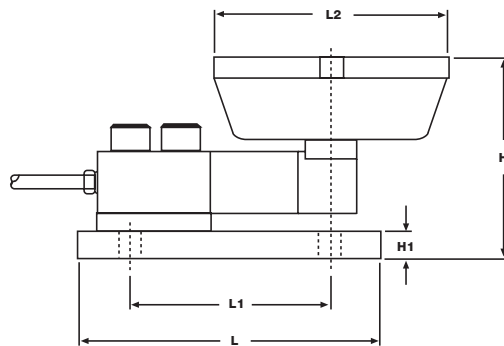
50 to 250 lb



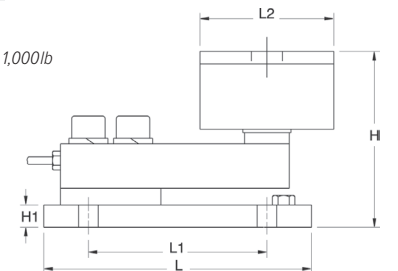
500 lb



2,000 lb to 2,500 lb



1,000 lb



# RL50219SS-TA

Stainless Steel, Mini Tank Weighing Module

LOAD CELLS /  
WEIGH MODULES



RL50219SS-TA (50lb to 250lb)

Picture is a representation of actual product.

## Complete Kit Includes

- Three or four neoprene isolation/compression mounts with load cells  
50 to 250 lb model: RL50219SS  
500 lb model: stainless steel single-ended beam
- One JB4SS NEMA Type 4X stainless steel signal trim junction box
- 25 ft of hostile environment EL147HE SURVIVOR® load cell cable

## Standard Features

- Stainless steel modules
- Lower weighing ranges from 50 to 500 lb per module
- Environmentally protected load cells
- Neoprene isolation/compression mounts allow for minor misalignment, thermal expansion and shock absorption
- Overload stop for 500 lb modules provides durability

## Applications

- Small tanks and hoppers
- Conveyor/In-motion weighing
- Small platform scales where minor shock loading may occur

## Order Information

Load Rating (Per Module)	Part #	Price
<b>Single Module (Includes Load Cell)</b>		
50 lb	196829	\$710.00
75 lb	196830	\$710.00
100 lb	196831	\$710.00
150 lb	196832	\$710.00
250 lb	196833	\$710.00
500 lb	17954	\$735.00
<b>3-Module Kit</b>		
50 lb	196840	\$2,410.00
75 lb	196841	\$2,410.00
100 lb	196842	\$2,410.00
150 lb	196843	\$2,410.00
250 lb	196844	\$2,410.00
500 lb	30394	\$2,435.00
<b>4-Module Kit</b>		
50 lb	196845	\$3,115.00
75 lb	197015	\$3,115.00
100 lb	196846	\$3,115.00
150 lb	196848	\$3,115.00
250 lb	196849	\$3,115.00
500 lb	30393	\$3,190.00

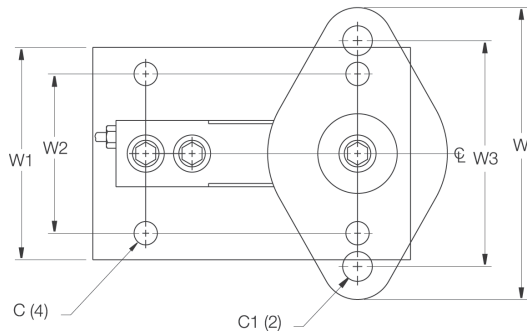
# RL50219SS-TA

Stainless Steel, Mini Tank Weighing Module

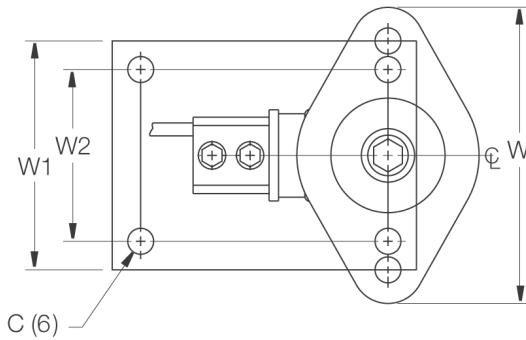
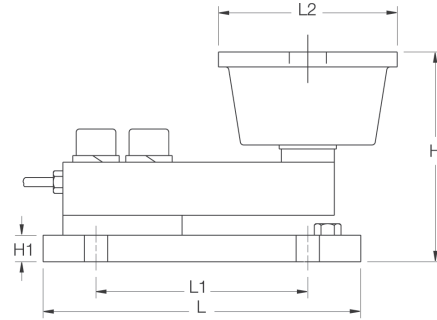
LOAD CELLS / WEIGH MODULES

## Dimensions

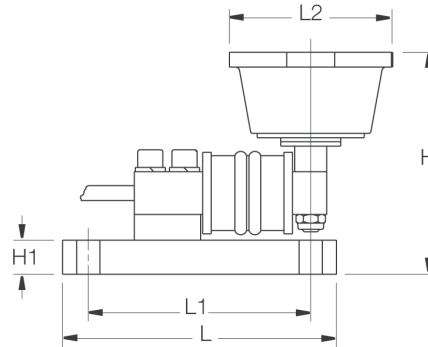
Rated Capacity	C	C1	H	H1	L	L1	L2	W	W1	W2	W3
<b>lb/in</b>											
50 to 250	0.34	-	3.13	0.50	4.00	3.25	2.38	3.88	3.00	2.25	-
500	0.44	0.56	3.88	0.50	6.00	4.00	3.38	5.50	4.00	3.00	4.13



500lb



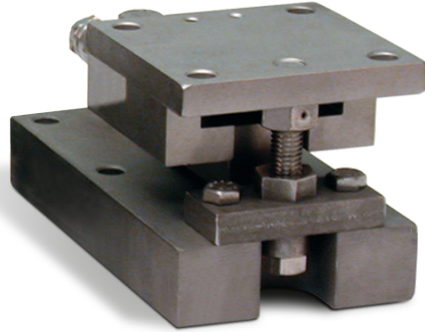
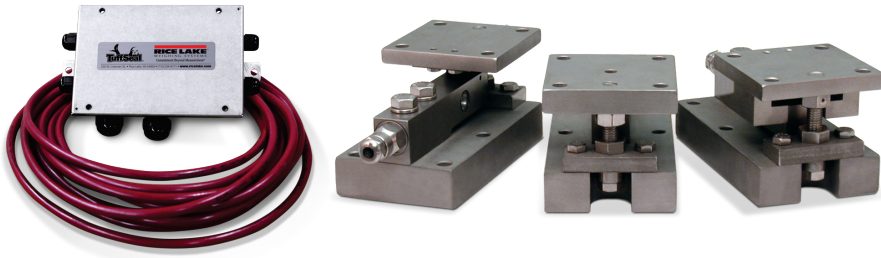
50 to 250lb



# Paramounts® EP

Zinc Plated, Environmentally Protected, Tank Weighing Systems

LOAD CELLS /  
WEIGH MODULES



Picture is a representation of actual product.

## Load Cell Approvals



Available

## Order Information

Load Rating (Per Module)	Part #	Price
<b>NTEP Certified 3-Module Kits</b>		
5 kN	<b>33683</b>	\$2,665.00
10 kN	<b>33682</b>	\$2,665.00
20 kN	<b>33681</b>	\$2,665.00
50 kN	<b>33680</b>	\$3,055.00
<b>NTEP Certified 4-Module Kits</b>		
5 kN	<b>33678</b>	\$3,553.00
10 kN	<b>33677</b>	\$3,553.00
20 kN	<b>33676</b>	\$3,553.00
50 kN	<b>33675</b>	\$4,372.00
<b>Non-NTEP Certified 3-Module Kit</b>		
100 kN	<b>33679</b>	\$4,832.00
<b>Non-NTEP Certified 4-Module Kit</b>		
100 kN	<b>33674</b>	\$4,832.00

NOTE: 1 kN=224.8 lb

## Complete Kit Includes

- One fixed-pin module, one side-stop module, and one or two free-sliding assemblies. Each module is complete with a NTEP Certified Flintec® SB5 stainless steel environmentally protected load cell.
- One JB4SS NEMA Type 4X stainless steel signal trim junction box
- 25 ft of hostile environment EL147HE SURVIVOR® load cell cable

## Standard Features

- Capacities (per module): 5 to 20 kN
- NTEP Certified 1:5000 d, Class II load cells
- Unique design allows for thermal expansion/contraction
- Jacking screw allows empty vessel to be lifted clear of load cell for maintenance
- Unique blind load hole eliminates unwanted side and eccentric loads
- Vessel is free to slide laterally on PTFE coated surfaces
- mV/V/ohm load cell outputs allow for replacement without further calibration

## Applications

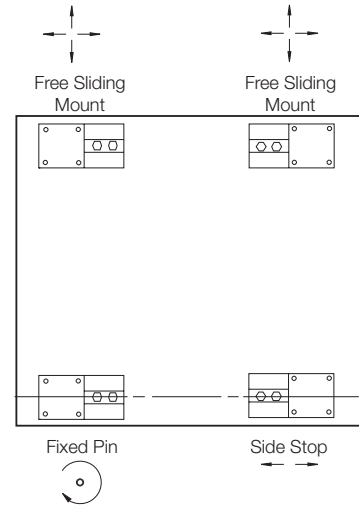
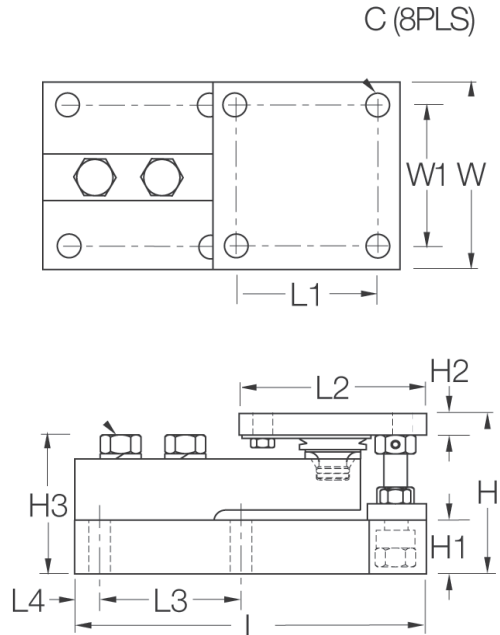
- Light- to medium-capacity tanks and hoppers
- Process measurement and control



## Dimensions

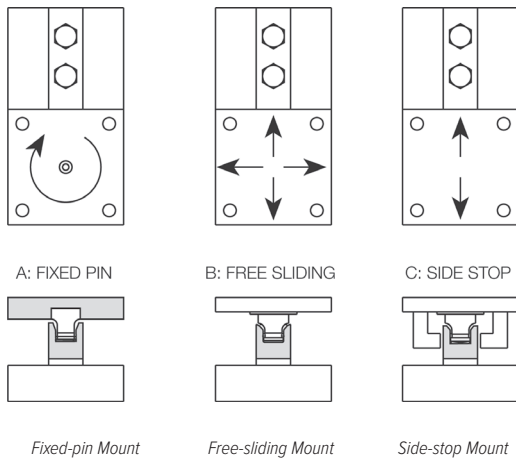
Rated Capacity kN/in	C	H	H1	*H2	**H2	H3	L	L1	L2	L3	L4	W	W1
5 to 20	0.44	3.58	1.25	0.50	0.75	3.06	7.51	3.00	4.00	3.00	0.50	4.00	3.00
50	0.56	4.66	1.50	0.62	1.00	4.09	9.19	3.87	5.00	3.87	0.56	5.00	3.87
100	0.69	6.41	2.00	0.75	1.25	5.73	11.46	4.75	6.00	4.75	0.69	6.00	4.75

\* Side-stop and free-sliding units    \*\* Fixed-pin units



### VESSEL ARRANGEMENT

When arranged as illustrated, the vessel is fixed at one corner but is able to slide freely as indicated. This ensures there is minimal side loading on the cells and at the same time the vessel is self-checking. The unique, patented blind load hole technology used in these mounts introduces the load at the neutral axis of the load cell which helps minimize the effects of side loads.



# Paramounts® HS

Zinc Plated, Hermetically Sealed, Tank Weighing Systems

LOAD CELLS /  
WEIGH MODULES



Picture is a representation of actual product.

## Load Cell Approvals



## Order Information

Load Rating (Per Module)	Part #	Price
<b>NTEP Certified 3-Module Kit</b>		
5 kN	29871	\$3,370.00
10 kN	29872	\$3,370.00
23 kN	29873	\$3,370.00
50 kN	29874	\$4,000.00
<b>NTEP Certified 4-Module Kit</b>		
5 kN	29875	\$4,535.00
10 kN	29876	\$4,535.00
23 kN	29877	\$4,535.00
50 kN	29878	\$5,135.00
<b>Non-NTEP Certified 3-Module Kit</b>		
5 kN	17977	\$3,265.00
10 kN	17978	\$3,265.00
23 kN	17979	\$3,265.00
50 kN	17980	\$3,962.00
100 kN	17981	\$5,090.00
<b>Non-NTEP Certified 4-Module Kit</b>		
5 kN	17984	\$4,282.00
10 kN	17985	\$4,282.00
23 kN	17986	\$4,282.00
50 kN	17987	\$4,875.00
100 kN	17988	\$6,160.00
<b>Conduit Adapter Kit (must be factory installed to maintain warranty)</b>		
1/2-14 NPT	17703	\$50.00

## Complete Kit Includes

- One fixed-pin module, one side-stop module, and one or two free-sliding assemblies. Each module is complete with a Flintec® SB4 NTEP Certified, stainless steel, hermetically sealed load cell.
- One JB4SS NEMA Type 4X stainless steel signal trim junction box
- 25 ft of hostile environment EL147HE SURVIVOR® load cell cable

## Standard Features

- Capacities (per module): 5 to 100 kN
- Unique design allows for thermal expansion/contraction
- Jacking screw allows empty vessel to be lifted clear of load cell for maintenance
- Unique blind load hole eliminates unwanted side and eccentric loads
- Vessel is free to slide laterally on PTFE coated surfaces
- Load cell outputs are matched to  $\pm 0.07\%$  allowing replacement without further calibration

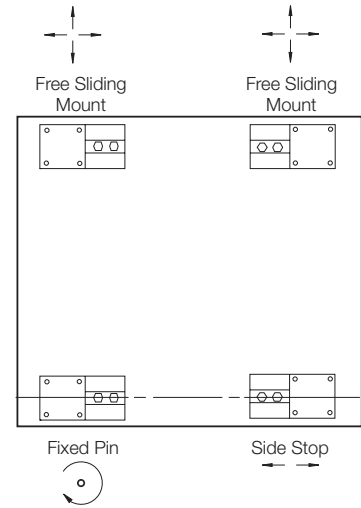
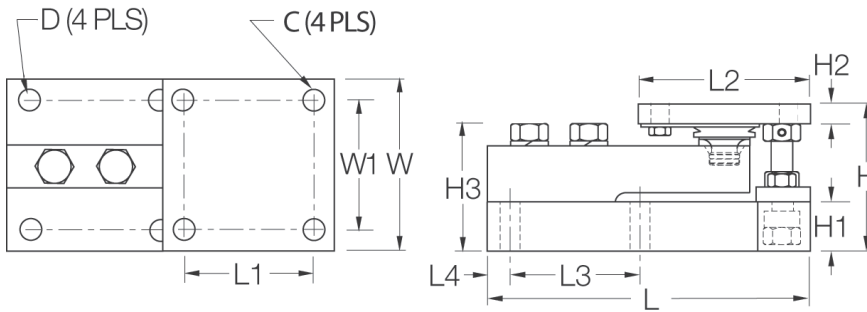
## Applications

- Light- to medium-capacity tanks and hoppers
- Mixers and blenders
- Process measurement and control

## Dimensions

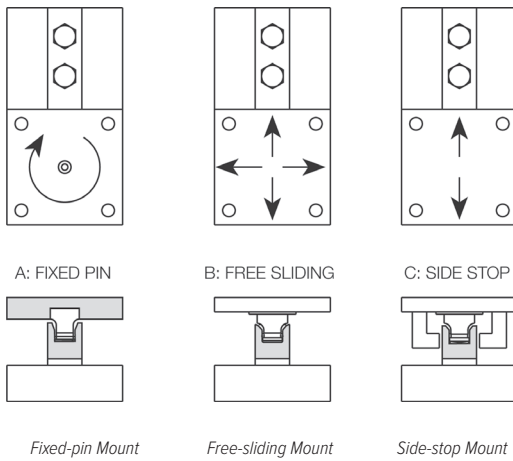
Rated Capacity	C	D	H	H1	*H2	**H2	H3	L	L1	L2	L3	L4	W	W1
5 kN to 23 kN	0.44	0.44	3.58	1.25	0.50	0.75	3.06	7.51	3.00	4.00	3.00	0.50	4.00	3.00
50 kN	0.56	0.56	4.66	1.50	0.62	1.00	4.09	9.19	3.87	5.00	3.87	0.56	5.00	3.87
100 kN	0.69	0.69	6.41	2.00	0.75	1.25	5.73	11.46	4.75	6.00	4.75	0.69	6.00	4.75

\* Side-stop and free-sliding units    \*\* Fixed-pin units



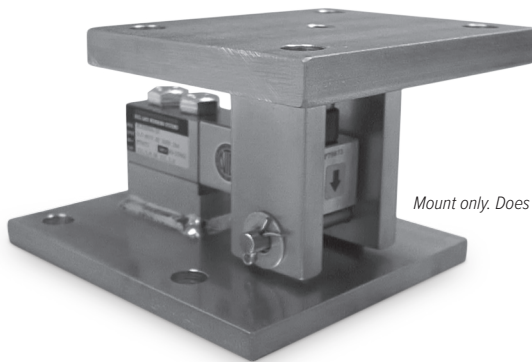
### VESSEL ARRANGEMENT

When arranged as illustrated, the vessel is fixed at one corner but is able to slide freely as indicated. This ensures there is minimal side loading on the cells and at the same time the vessel is self-checking. The unique, patented blind load hole technology used in these mounts introduces the load at the neutral axis of the load cell which helps minimize the effects of side loads.



# RLBTM

Mild Steel/Stainless Steel, Weigh Modules



Mount only. Does not include load cell

Picture is a representation of actual product.

## Standard Features

- Capacities (per module): 250 to 5,000 lb SE
- Zinc plated, mild steel construction or stainless steel construction
- Self-checking, multi-directional movement
- Design incorporates a ball and cup for self-centering
- Will accommodate a standard shear beam 250 to 5,000 lb SE load cell that has a threaded load hole such as the RL30000, RL39123, RL32018, RL32018S, RL32218S-HE

## Applications

- Light- to medium-capacity tanks and hoppers
- Conveyors

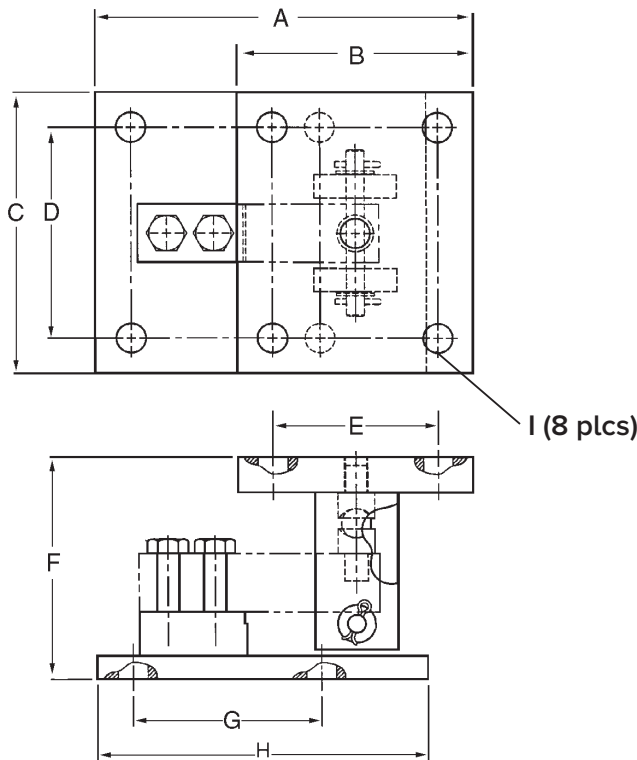
## Order Information

Load Rating (Per Module)	Part #	Price
<b>Single Module Mild Steel</b>		
250 to 5,000 lb SE	<b>53059</b>	\$430.00
<b>Single Module Stainless Steel</b>		
250 to 5,000 lb SE	<b>53066</b>	\$655.00

## Dimensions

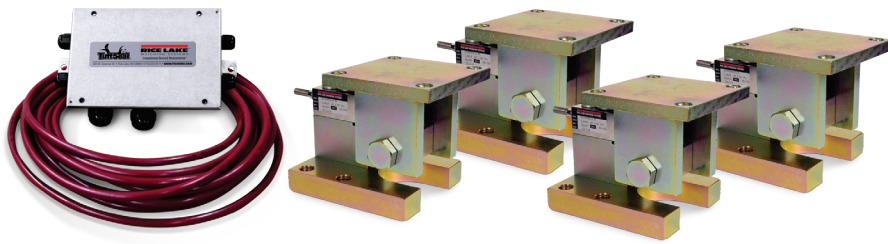
Rated Capacity	A	B	C	D	E	F	G	H	I
250 to 5,000 SE	8.00	5.00	6.00	4.50	3.50	4.75	4.00	7.00	0.63

SE refers to small envelope



# RL1800 Series

Mild Steel/Stainless Steel, Weigh Modules



Picture is a representation of actual product.

## Load Cell Approvals



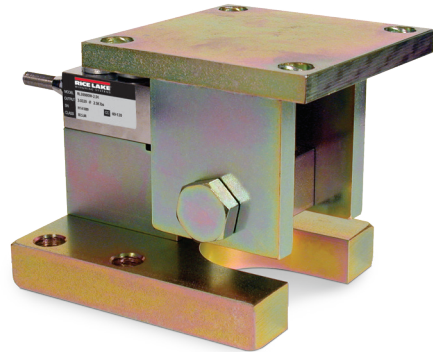
Except 250lb

## Mild Steel Order Information

Load Rating (Per Module)	Part #	Price
<b>Single Module (Does NOT Include Load Cell)</b>		
250 to 5,000 lb SE	<b>17817</b>	\$399.00
5,000 LE to 10,000 lb	<b>17819</b>	\$428.00
<b>3-Module Kit</b>		
250 lb*	<b>18075</b>	\$2,350.00
500 lb	<b>18076</b>	\$2,350.00
1,000 lb	<b>18077</b>	\$2,350.00
2,000 lb	<b>18078</b>	\$2,350.00
2,500 lb	<b>18079</b>	\$2,350.00
3,000 lb	<b>18080</b>	\$2,350.00
4,000 lb	<b>18081</b>	\$2,350.00
5,000 lb SE	<b>18082</b>	\$2,350.00
5,000 lb LE	<b>18083</b>	\$2,700.00
10,000 lb	<b>18084</b>	\$2,700.00
<b>4-Module Kit</b>		
250 lb*	<b>18085</b>	\$3,050.00
500 lb	<b>18086</b>	\$3,050.00
1,000 lb	<b>18087</b>	\$3,050.00
2,000 lb	<b>18088</b>	\$3,050.00
2,500 lb	<b>18089</b>	\$3,050.00
3,000 lb	<b>18090</b>	\$3,050.00
4,000 lb	<b>18091</b>	\$3,050.00
5,000 lb SE	<b>18092</b>	\$3,050.00
5,000 lb LE	<b>18093</b>	\$3,500.00
10,000 lb	<b>18094</b>	\$3,500.00

SE=Small envelope; LE=Large envelope

\* Non-NTEP



## Stainless Steel Order Information

Load Rating (Per Module)	Part #	Price
<b>Single Module (Does NOT Include Load Cell)</b>		
250 to 4,000 lb	<b>17818</b>	\$640.00
5,000 to 10,000 lb	<b>17820</b>	\$675.00
<b>3-Module Kit</b>		
1,000 lb	<b>18095</b>	\$3,190.00
2,000 lb	<b>18096</b>	\$3,190.00
2,500 lb	<b>18097</b>	\$3,190.00
4,000 lb	<b>18099</b>	\$3,190.00
5,000 lb LE	<b>18100</b>	\$3,445.00
10,000 lb	<b>18101</b>	\$3,445.00
<b>4-Module Kit</b>		
1,000 lb	<b>18102</b>	\$4,250.00
2,000 lb	<b>18103</b>	\$4,250.00
2,500 lb	<b>18104</b>	\$4,250.00
4,000 lb	<b>18106</b>	\$4,250.00
5,000 lb LE	<b>18107</b>	\$4,595.00
10,000 lb	<b>18108</b>	\$4,595.00
<b>Dummy Cell</b>		
Dummy load cell 1 k to 5 k SE	<b>22980</b>	\$53.00

## Complete Kit Includes

- Three or four RL1800 mild steel or stainless steel compression mounts with NTEP Certified RL32018 single-ended beam load cells, RL32018S used in stainless steel
- One JB4SS NEMA Type 4X stainless steel signal trim junction box
- 25 ft of hostile environment EL147HE SURVIVOR® load cell cable

## Standard Features

- Capacities (per module): 250 to 10,000 lb
- NTEP Certified cells in 500 to 10,000 lb capacities, except 3,000 lb
- Zinc plated mild steel/stainless steel construction
- Center-pivoted, tension loading design
- Self-checking, multi-directional movement
- Load is suspended on high-strength bolt instead of wire rope
- Design incorporates spherical washers for self centering

## Applications

- Conveyors
- Medium-capacity tanks and hoppers
- Mixers and blenders
- Process measurement and control

LOAD CELLS / WEIGH MODULES

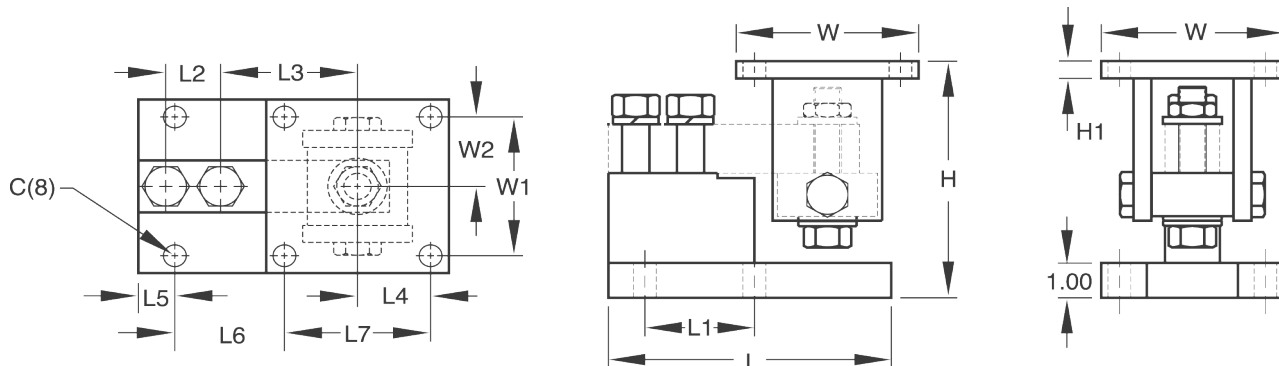
# RL1800 Series

Mild Steel/Stainless Steel, Weigh Modules

LOAD CELLS /  
WEIGH MODULES

## Dimensions

Rated Capacity	C	H Min/Max	H1	L	L1	L2	L3	L4	L5	L6	L7	W	W1	W2
<b>Mild Steel Construction</b>														
lb/in														
250 to 5,000 SE	0.62	5.25/5.56	0.50	6.00	2.00	1.00	3.00	2.00	0.68	1.94	4.00	5.00	4.00	2.00
5,000 LE to 10,000	0.62	6.12/6.62	0.50	7.75	3.00	1.50	3.75	2.00	1.03	2.97	4.00	5.00	4.00	2.00
<b>Stainless Steel Construction</b>														
lb/in														
1,000 to 4,000	0.62	5.25/5.56	0.50	6.00	2.00	1.00	3.00	2.00	0.68	1.94	4.00	5.00	4.00	2.00
5,000 to 10,000	0.62	6.12/6.62	0.50	7.75	3.00	1.50	3.75	2.00	1.03	2.97	4.00	5.00	4.00	2.00



# RL1800 Series with MLC Coated Load Cell

Stainless Steel, Weigh Modules

LOAD CELLS /  
WEIGH MODULES



Picture is a representation of actual product.

## Load Cell Approvals



## Complete Kit Includes

- Three or four RL1800 stainless steel compression mounts with MLC coated RL32018 NTEP Certified single-ended beam load cells
- One JB4SS NEMA Type 4X stainless steel signal trim junction box
- 25 ft of hostile environment EL147HE SURVIVOR® load cell cable

## Standard Features

- Capacities (per module): 1,000 to 10,000 lb
- NTEP Certified cells in 1,000 to 10,000 lb capacities
- Stainless steel mounts
- Center-pivoted, tension loading design
- Self-checking, multi-directional movement
- Load is suspended on high-strength bolt instead of wire rope
- Design incorporates spherical washers for self centering
- Coated load cells for corrosion protection

## Applications

- Conveyors
- Medium-capacity tanks and hoppers

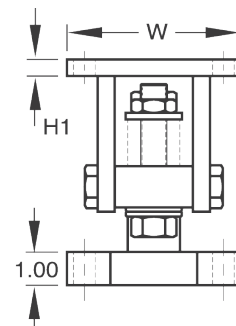
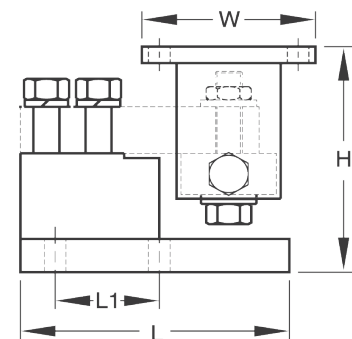
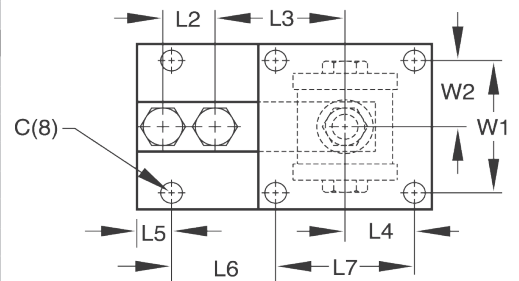
## Stainless Steel Order Information

Load Rating (Per Module)	Part #	Price
<b>Single Module (Does NOT Include Load Cell)</b>		
1,000 to 4,000 lb	17818	\$640.00
5,000 to 10,000 lb	17820	\$675.00
<b>3-Module Kit</b>		
1,000 lb	219894	\$3,150.00
1,500 lb	219896	\$3,150.00
2,000 lb	219898	\$3,150.00
2,500 lb	219900	\$3,150.00
3,000 lb	219902	\$3,150.00
4,000 lb	219904	\$3,150.00
5,000 SE lb	219906	\$3,150.00
5,000 LE lb	219908	\$3,540.00
10,000 lb	219910	\$3,540.00
<b>4-Module Kit</b>		
1,000 lb	219895	\$4,140.00
1,500 lb	219897	\$4,140.00
2,000 lb	219899	\$4,140.00
2,500 lb	219901	\$4,140.00
3,000 lb	219903	\$4,140.00
4,000 lb	219905	\$4,140.00
5,000 SE lb	219907	\$4,140.00
5,000 LE lb	219909	\$4,650.00
10,000 lb	219911	\$4,650.00

SE=Small envelope; LE=Large envelope

## Dimensions

Rated Capacity C	H Min/Max	H1	L	L1	L2	L3	L4	L5	L6	L7	W	W1	W2
lb/in													
1,000 to 5,000 SE	0.62	5.25/5.56	0.50	6.00	2.00	1.00	3.00	2.00	0.68	1.94	4.00	5.00	4.00
5,000 LE to 10,000	0.62	6.12/6.62	0.50	7.75	3.00	1.50	3.75	2.00	1.03	2.97	4.00	5.00	4.00



# RL1900 Series

Stainless Steel, Weigh Modules

LOAD CELLS /  
WEIGH MODULES



Picture is a representation of actual product.

## Load Cell Approvals

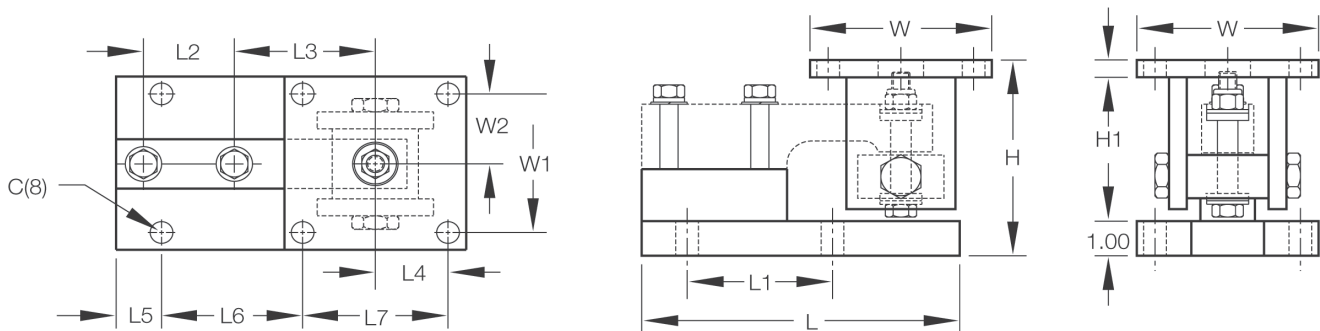


## Order Information

Load Rating (Per Module)	Part #	Price
<b>Single Module (Does NOT Include Load Cell)</b>		
1,000 to 5,000 lb	<b>17841</b>	\$700.00
10,000 lb	<b>17843</b>	\$760.00
<b>3-Module Kit</b>		
1,000 lb	<b>18109</b>	\$4,285.00
2,000 lb	<b>18110</b>	\$4,285.00
5,000 lb	<b>18111</b>	\$4,285.00
10,000 lb	<b>18112</b>	\$4,770.00
<b>4-Module Kit</b>		
1,000 lb	<b>18113</b>	\$5,710.00
2,000 lb	<b>18114</b>	\$5,710.00
5,000 lb	<b>18115</b>	\$5,710.00
10,000 lb	<b>18116</b>	\$5,710.00

## Dimensions

Rated Capacity C	H Min/Max	H1	L	L1	L2	L3	L4	L5	L6	L7	W	W1	W2	
lb/in														
1,000 to 5,000	0.62	5.38/5.62	0.50	8.75	4.00	2.50	3.88	2.00	1.12	4.00	4.00	5.00	4.00	2.00
10,000	0.81	6.88/7.50	1.00	9.75	5.00	2.63	4.88	2.25	1.00	5.00	4.50	6.00	4.50	2.25



## Complete Kit Includes

- Three or four RL1900 stainless steel compression mounts with RLSSB NTEP Certified welded stainless steel single-ended beam load cells
- One JB4SS NEMA Type 4X stainless steel signal trim junction box
- 25 ft of hostile environment EL147HE SURVIVOR® load cell cable

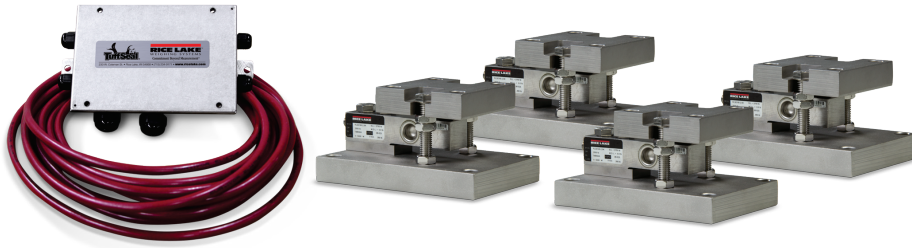
## Standard Features

- Capacities (per module): 1,000 to 10,000 lb
- NTEP Certified load cells, 1:5000 d, Class III single cell
- Stainless steel construction
- Center-pivoted, tension loading design
- Welded-seal stainless steel load cells, IP67
- Self-checking, multi-directional movement
- Easy load cell replacement
- Load is suspended on high-strength bolt instead of wire rope
- Design incorporates spherical washers
- Compatible with VPG® Revere SSB load cells

## Applications

- Medium-capacity tanks, bins and hoppers
- Washdown or corrosive applications





Picture is a representation of actual product.

### Load Cell Approvals



### Order Information

Load Rating (Per Module)	Part #	Price
<b>Single Module (Includes Load Cell)</b>		
500 lb	159288	\$1,085.00
1,250 lb	159289	\$1,085.00
2,500 lb	159290	\$1,085.00
5,000 lb	159291	\$1,310.00
10,000 lb	159292	\$1,310.00
<b>3-Module Kit</b>		
500 lb	162942	\$3,375.00
1,250 lb	162944	\$3,375.00
2,500 lb	162945	\$3,375.00
5,000 lb	162946	\$4,180.00
10,000 lb	162947	\$4,180.00
<b>4-Module Kit</b>		
500 lb	162948	\$4,465.00
1250 lb	162949	\$4,465.00
2500 lb	162950	\$4,465.00
5000 lb	162951	\$5,375.00
10,000 lb	162953	\$5,375.00

### Complete Kit Includes

- Three or four Rice Lake RLTM stainless steel mounting assemblies with RL32018S-T NTEP Certified, welded-seal stainless steel load cells
- One JB4SS NEMA Type 4X stainless steel signal trim junction box
- 25 ft of hostile environment EL147HE SURVIVOR® load cell cable

### Standard Features

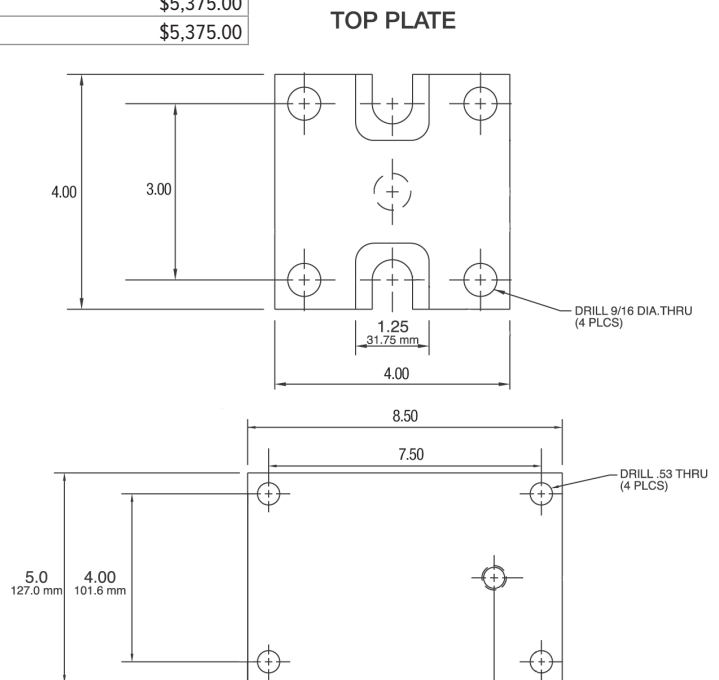
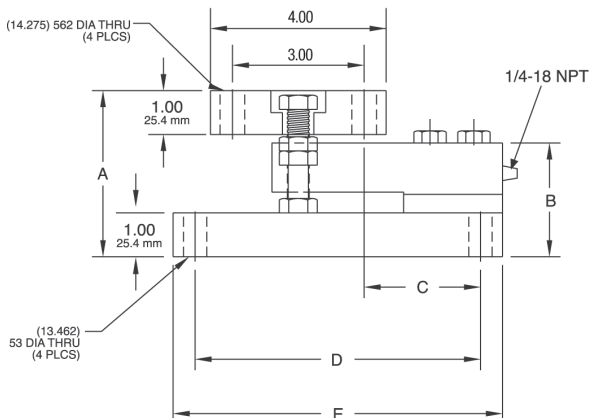
- Capacities (per module) 500 to 10,000 lb
- NTEP Certified load cells, 1:5,000 d, Class III multiple cell
- Stainless steel construction
- Overload and uplift protection
- Rocker pin loading
- Integral lateral stops

### Applications

- Lower capacity tank and vessel weighing
- Process control and batching

### Dimensions

Rated Capacity	A	B	C	D	E
lb/in					
500 to 2,500	3.77	2.59	2.62	6.50	7.50
5,000	3.99	2.83	2.62	6.50	7.50
10,000	4.27	3.08	3.88	7.50	8.50

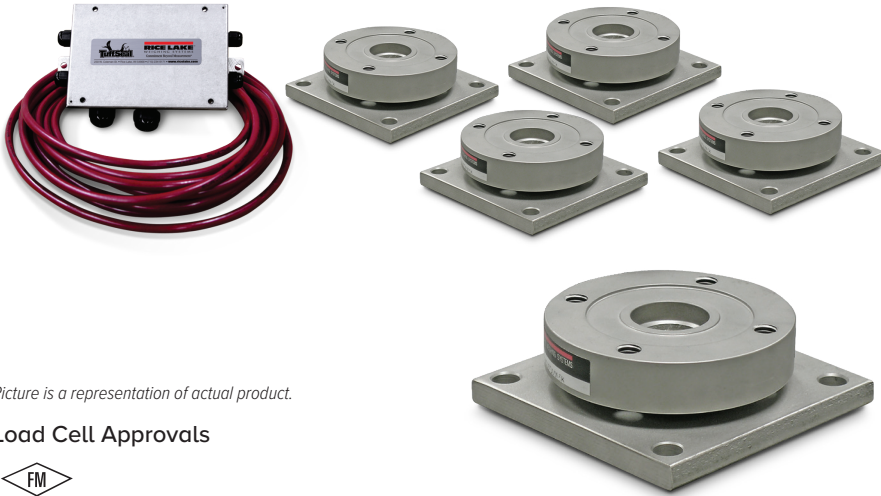


### BASE PLATE

# RL9000TWM Series

Stainless Steel, Weighing Assembly

LOAD CELLS /  
WEIGH MODULES



Picture is a representation of actual product.

## Load Cell Approvals



## Complete Kit Includes

- Three or four stainless steel mounting assemblies with RL9000TWM compression disk load cells
- One JB4SS NEMA Type 4X stainless steel signal trim junction box
- 25 ft of hostile environment EL147HE SURVIVOR® load cell cable

## Standard Features

- Capacities (per module): 1,000 to 450,000 lb
- Stainless steel construction
- Very low profile design
- Self-centering
- Self-checking assembly
- Offers 100% sideload, 100% uplift and 150% static safe load and 300% ultimate static overload protection
- Weighs accurately with up to 3° non-parallel load

## Applications

- Tank, hopper or vessel weighing

## Optional Features

- Stainless steel top plates (150,000 to 450,000 lb have mild steel painted base plate)

## Specifications

### Full Scale Output:

3.0 (± 0.1%) mV/V

### Bridge Resistance:

350 ohm

### Material/Finish:

Stainless steel

### Temperature:

Operating:  
0 °F to 150 °F (-17 °C to 65 °C)

### Seal Type:

Welded-seal, IP67

### Safe Overload:

150% full scale

### Rated Excitation:

5 to 10 VDC

### Nonlinearity:

1 to 100 K: 0.05% FS

150 to 450 K: 0.1% FS

### Insulation Resistance:

5,000 megohm

### Non-repeatability:

1 to 100 K: 0.02% full scale

150 to 450 K: 0.03% full scale

### Cable Length:

25 ft

### Deflection at Capacity:

1 to 15 K: 0.002 in

20 to 50 K: 0.004 in

60 to 100 K: 0.007 in

150 to 200 K: 0.007 in

250 to 450 K: 0.009 in

### Cable Color Code:

Green +Excitation

Black -Excitation

White +Signal

Red -Signal

### Warranty:

Two-year limited

# RL9000TWM Series

Stainless Steel, Weighing Assembly

LOAD CELLS / WEIGH MODULES

## Order Information

Load Rating (Per Module)	Part #	Price
<b>Single Module</b>		
1,000 lb	84353	\$710.00
2,500 lb	84354	\$710.00
5,000 lb	84355	\$710.00
10,000 lb	84356	\$710.00
15,000 lb	84357	\$710.00
20,000 lb	84358	\$1,350.00
25,000 lb	84359	\$1,350.00
35,000 lb	84360	\$1,350.00
50,000 lb	84361	\$1,350.00
60,000 lb	84362	\$2,255.00
75,000 lb	84363	\$2,255.00
100,000 lb	84364	\$2,255.00
150,000 lb	84365	\$4,600.00
200,000 lb	84366	\$4,600.00
250,000 lb	84368	\$6,750.00
300,000 lb	84369	\$6,750.00
400,000 lb	84370	\$6,750.00
450,000 lb	84371	\$6,750.00
<b>3-Module Kit</b>		
1,000 lb	98974	\$2,355.00
2,500 lb	98980	\$2,355.00
5,000 lb	98981	\$2,355.00
10,000 lb	98982	\$2,355.00
15,000 lb	98983	\$2,355.00
20,000 lb	98984	\$4,275.00
25,000 lb	98985	\$4,275.00
35,000 lb	98986	\$4,275.00
50,000 lb	98987	\$4,275.00
60,000 lb	98988	\$6,930.00
75,000 lb	98989	\$6,930.00
100,000 lb	98990	\$6,930.00
150,000 lb	98991	\$13,935.00
200,000 lb	98992	\$13,935.00
250,000 lb	98993	\$20,415.00
300,000 lb	98994	\$20,415.00
400,000 lb	98995	\$20,415.00
450,000 lb	98996	\$20,415.00
<b>4-Module Kit</b>		
1,000 lb	98997	\$2,970.00
2,500 lb	98998	\$2,970.00
5,000 lb	98999	\$2,970.00
10,000 lb	99000	\$2,970.00
15,000 lb	99001	\$2,970.00
20,000 lb	99002	\$5,530.00
25,000 lb	99003	\$5,530.00
35,000 lb	99004	\$5,530.00
50,000 lb	99005	\$5,530.00
60,000 lb	99006	\$9,110.00
75,000 lb	99007	\$9,110.00
100,000 lb	99008	\$9,110.00
150,000 lb	99009	\$18,435.00
200,000 lb	99010	\$18,435.00
250,000 lb	99011	\$27,050.00
300,000 lb	99012	\$27,050.00
400,000 lb	99013	\$27,050.00
450,000 lb	99014	\$27,050.00

Load Rating (Per Module)	Part #	Price
<b>Top Plates (Stainless Steel) with bolts</b>		
1,000 to 15,000 lb	91207	\$125.00
20,000 to 50,000 lb	91210	\$285.00
60,000 to 100,000 lb	91211	\$465.00
150,000 to 200,000 lb	91213	\$740.00
250,000 to 450,000 lb	91215	\$1,710.00
<b>Top Plates (Mild Steel) with bolts</b>		
1,000 to 15,000 lb	124758	\$60.00
20,000 to 50,000 lb	125141	\$115.00
60,000 to 100,000 lb	124759	\$165.00
150,000 to 200,000 lb	124760	\$262.00
250,000 to 450,000 lb	124761	\$388.00
<b>Dummy Weigh Modules (non-functioning)</b>		
1,000 to 10,000 lb	158749	\$100.00
15,000 lb	158750	\$130.00
20,000 to 50,000 lb	158752	\$145.00
60,000 to 100,000 lb	158753	\$160.00
150,000 to 200,000 lb	158754	\$410.00
250,000 to 450,000 lb	158755	\$435.00

150,000 to 450,000lb have mild steel painted base plates

## Order Information

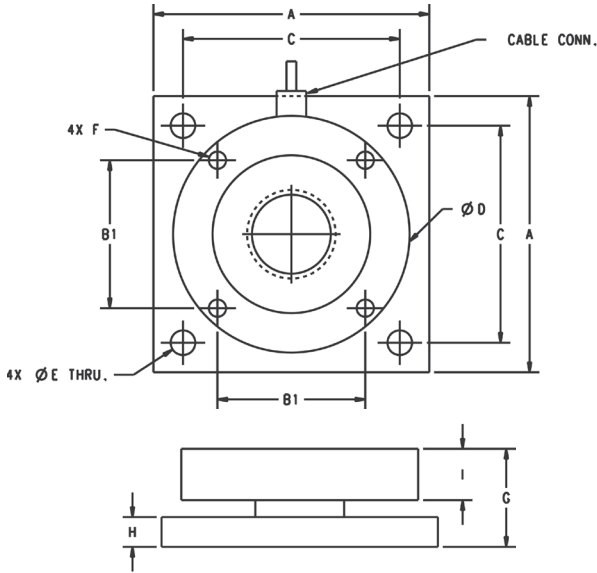
Capacity	Thickness	Material	Part #	Price
<b>Shims</b>				
1,000 to 15,000 lb	0.0625	SST	167001	\$6.00
1,000 to 15,000 lb	0.125	SST	167002	\$8.00
1,000 to 15,000 lb	0.250	SST	167003	\$11.00
1,000 to 15,000 lb	0.0625	MS	167004	\$2.50
1,000 to 15,000 lb	0.125	MS	167005	\$2.75
1,000 to 15,000 lb	0.250	MS	167006	\$3.25
20,000 to 50,000 lb	0.0625	SST	167008	\$15.00
20,000 to 50,000 lb	0.125	SST	167009	\$22.00
20,000 to 50,000 lb	0.250	SST	167010	\$34.00
20,000 to 50,000 lb	0.0625	MS	167011	\$9.00
20,000 to 50,000 lb	0.125	MS	167012	\$9.00
20,000 to 50,000 lb	0.250	MS	167013	\$10.00
60,000 to 100,000 lb	0.0625	SST	167014	\$24.00
60,000 to 100,000 lb	0.125	SST	167015	\$34.00
60,000 to 100,000 lb	0.250	SST	167016	\$53.00
150,000 to 200,000 lb	0.0625	SST	167020	\$32.00
150,000 to 200,000 lb	0.125	SST	167021	\$40.00
150,000 to 200,000 lb	0.250	SST	167022	\$65.00
250,000 to 450,000 lb	0.0625	SST	167026	\$40.00
250,000 to 450,000 lb	0.125	SST	167027	\$58.00
250,000 to 450,000 lb	0.250	SST	167028	\$75.00

Shims match dimensions of base plate and optional top plate

# RL9000TWM Series

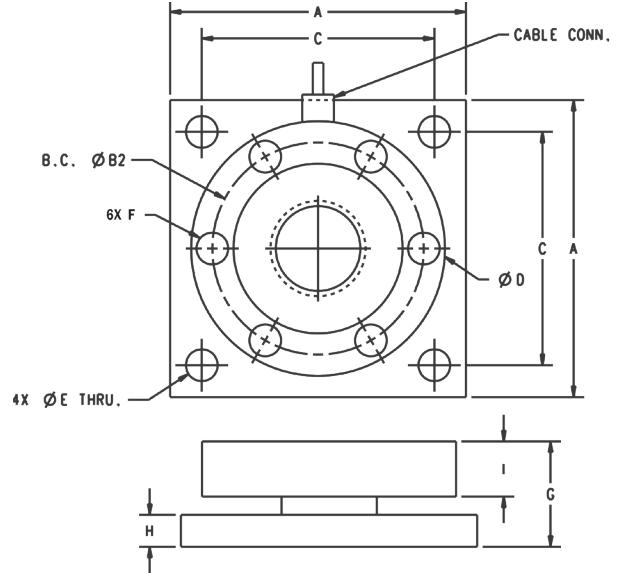
Stainless Steel, Weighing Assembly

LOAD CELLS /  
WEIGH MODULES



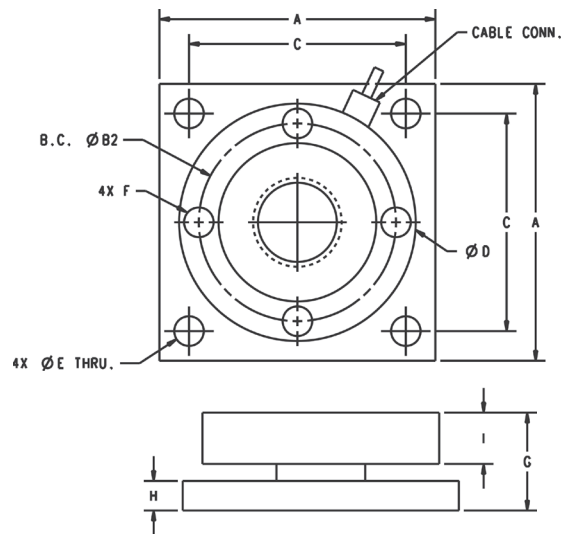
## Dimensions

Rated Capacity	A	B1	C	D	E	F	G	H	I	Conduit Adapter
1,000 to 10,000	4.00	2.00	3.25	3.50	0.40	3/8-16 UNC	1.35	0.375	0.75	-
15,000	4.00	2.00	3.25	3.50	0.40	3/8-16 UNC	1.60	0.625	0.75	-
20,000 to 50,000	7.00	3.75	5.50	6.00	0.63	1/2-13 UNC	2.48	0.75	1.30	1/2-14 NPT
60,000 to 100,000	8.00	4.25	6.50	7.00	0.81	3/4-16 UNC	2.50	1.00	1.30	1/2-14 NPT



## Dimensions

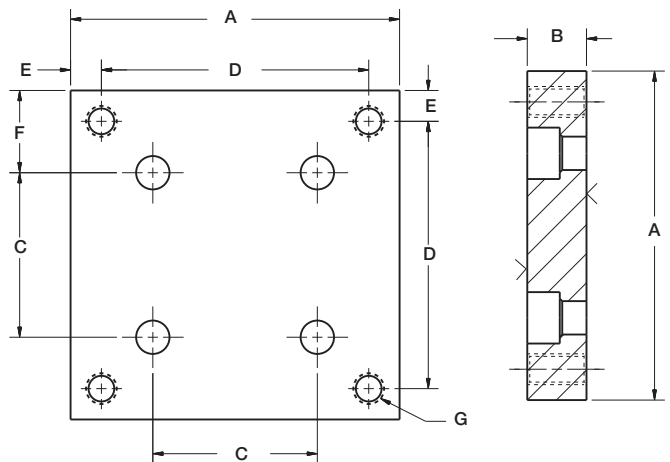
Rated Capacity	A	B2	C	D	E	F	G	H	I	Conduit Adapter
250,000 to 450,000	11.00	7.75	9.00	9.00	1.30	7/8-14 UNF	6.42	3.00	2.25	1/2-14 NPT



## Dimensions

Rated Capacity	A	B2	C	D	E	F	G	H	I	Conduit Adapter
150,000 to 200,000	10.0	7.825	8.00	9.00	1.10	1-14 UNF	4.75	2.00	1.70	1/2-14 NPT

## Optional Top Plates



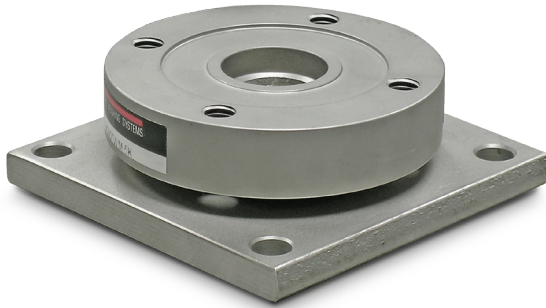
## Dimensions

Rated Capacity	A	B	C	D	E	F	G
1,000 to 15,000	4.00	0.72	2.00	3.25	0.38	1.00	3/8-16 UNC
20,000 to 50,000	7.00	0.97	3.75	5.50	0.75	1.62	5/8-11 UNC
60,000 to 100,000	8.00	1.46	4.25	6.50	0.75	1.88	3/4-16 UNF
150,000 to 200,000	10.00	1.94	5.53	8.00	1.00	2.25	1-14 UNS
250,000 to 450,000	11.00	2.94	7.75 B.C.	9.00	1.00	1.00	1-1/4-12 UNF

# RL9000TWM-HT

Stainless Steel, High Temperature, Weigh Module

LOAD CELLS /  
WEIGH MODULES



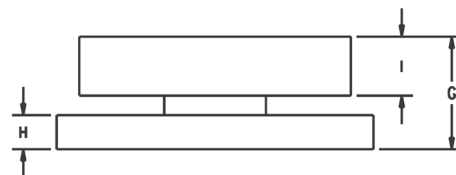
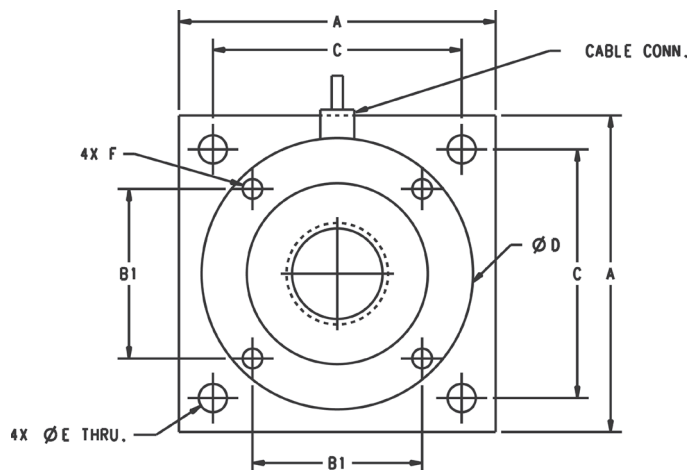
Picture is a representation of actual product.

## Order Information

Load Rating (per module)	Part #	Price
<b>Single Module</b>		
1,000 lb	117050	\$1,285.00
2,500 lb	117051	\$1,285.00
5,000 lb	117052	\$1,285.00
10,000 lb	117140	\$1,285.00
15,000 lb	117053	\$1,285.00
20,000 lb	117054	\$2,045.00
25,000 lb	117055	\$2,045.00
35,000 lb	117056	\$2,045.00
50,000 lb	117057	\$2,045.00
<b>Top Plates (Stainless Steel) with bolts</b>		
1,000 to 15,000 lb	91207	\$125.00
20,000 to 50,000 lb	91210	\$285.00
<b>Top Plates (Mild Steel) with bolts</b>		
1,000 to 15,000 lb	124758	\$60.00
20,000 to 50,000 lb	125141	\$115.00

## Dimensions

Rated Capacity	A	B1	C	D	E	F	G	H	I	Conduit Adapter
lb/in										
1,000 to 10,000	4.00	2.00	3.25	3.50	0.40	3/8-16 UNC	1.35	0.375	0.75	-
15,000	4.00	2.00	3.25	3.50	0.40	3/8-16 UNC	1.60	0.625	0.75	-
20,000 to 50,000	7.00	3.75	5.50	6.00	0.63	1/2-13 UNC	2.48	0.750	1.30	1/2-14NPT



## Standard Features

- Capacities: 1,000 to 50,000 lb
- Stainless steel construction
- Very low profile design
- Self-centering
- Self-checking assembly
- Offers 100% side load, 100% uplift, 150% safe load and 300% ultimate overload protection
- Weighs accurately with up to 3° non-parallel load

## Applications

- Tank, hopper, or vessel weighing
- High temperature applications

## Optional Features

- Stainless steel top plates
- Higher capacities available upon request

## Specifications

### Full Scale Output:

3.0 (± 0.1%) mV/V

### Bridge Resistance:

700 ohm

### Material/Finish:

Stainless steel

### Temperature:

Operating:  
0 °F to 400 °F (-17 °C to 204 °C)

### Seal Type:

Welded seal, IP67

### Safe Overload:

150% full scale

### Nonlinearity:

0.01% full scale

### Insulation Resistance:

5,000 megohm

### Non-repeatability:

0.02% full scale

### Deflection at Capacity:

1 to 15 K: 0.002 in  
20 to 50 K: 0.004 in

### Cable Length:

25 ft PTFE jacket

### Cable Color Code:

Green +Excitation  
Black -Excitation  
White +Signal  
Red -Signal

### Warranty:

Two-year limited

# RL2200 Series

Mild Steel, Weighing Assembly

LOAD CELLS /  
WEIGH MODULES



Picture is a representation of actual product.

## Order Information

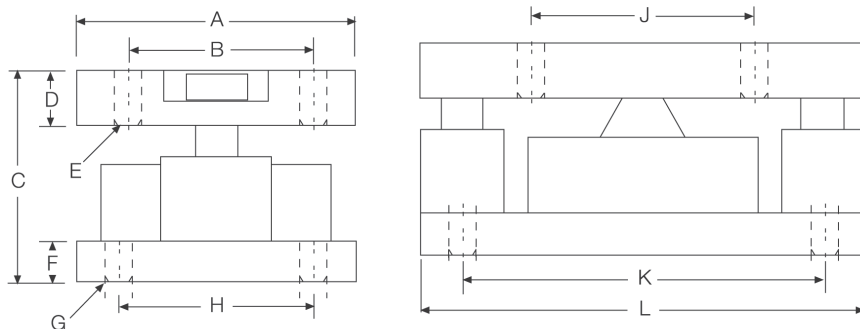
Load Rating (Per Module)	Part #	Price
<b>Single Module</b>		
2,500 lb	76656	\$1,965.00
5,000 lb	45849	\$1,965.00
10,000 lb	45848	\$1,965.00
25,000 lb	45847	\$2,650.00
50,000 lb	45846	\$2,650.00
<b>3-Module Kit</b>		
2,500 lb	76897	\$5,875.00
5,000 lb	42811	\$5,875.00
10,000 lb	42812	\$5,875.00
25,000 lb	42813	\$7,580.00
50,000 lb	42814	\$7,580.00
<b>4-Module Kit</b>		
2,500 lb	76898	\$7,770.00
5,000 lb	42815	\$7,770.00
10,000 lb	42816	\$7,770.00
25,000 lb	42817	\$8,995.00
50,000 lb	42818	\$8,995.00

## Replacement Load Cell Order Information

Load Rating (Per Module)	Part #	Price
2,500 lb	76654	\$1,325.00
5,000 lb	45708	\$1,325.00
10,000 lb	45709	\$1,325.00
25,000 lb	45710	\$1,669.00
50,000 lb	45711	\$1,669.00

## Dimensions

Rated Capacity	A	B	C	D	E	F	G	H	J	K	L
lb/in											
2,500 to 10,000	5.00	3.50	4.00	1.00	0.52	1.00	0.52	3.50	4.00	6.50	8.00
25,000 to 50,000	6.00	4.50	5.00	1.25	0.78	1.00	0.78	4.50	5.00	7.75	10.00



## Complete Kit Includes

- Three or four RL2200 high-alloy, zinc-plated steel mounting assemblies with RL2200 compression disk load cells.
- One JB4SS NEMA Type 4X stainless steel signal trim junction box
- 25 ft of hostile environment EL147HE SURVIVOR® load cell cable

## Standard Features

- Capacities (per module): 2,500 to 50,000 lb
- Low-profile design
- Self-centering in all directions, able to withstand excessive side loads
- Self-checking assembly

## Applications

- Tank, hopper or vessel weighing
- Belt or roller conveyors
- Scale platforms and screw feeders

## Specifications

### Full Scale Output:

- 4.0 mV/V
- 2.0 mV/V (2,500 lb)

### Bridge Resistance:

- 350 ohm nominal

### Material/Finish:

- High-alloy steel, painted

### Temperature:

- Compensated:
- 15 °F to 115 °F (-9 °C to 46 °C)

### Seal Type:

- Environmentally sealed

### Safe Overload:

- 150% full scale

### Rated Excitation:

- 5 to 10 VDC (20 V maximum)

### Nonlinearity:

- 0.05% full scale

### Hysteresis:

- 0.03% full scale

### Insulation Resistance:

- 5,000 megohm

### Cable Length:

- 30 ft

### Cable Color Code:

- Red +Excitation
- Black -Excitation
- White +Signal
- Green -Signal

### Warranty:

- Two-year limited

# RL2200SS Series

Stainless Steel, Weighing Assembly

LOAD CELLS /  
WEIGH MODULES



Picture is a representation of actual product.

## Complete Kit Includes

- Three or four RL2200 stainless steel mounting assemblies with RL2200SS stainless steel, hermetically sealed, compression disk load cells
- One JB4SS NEMA Type 4X stainless steel signal trim junction box
- 25 ft of hostile environment EL147HE SURVIVOR® load cell cable

## Applications

- Tank, hopper or vessel weighing
- Belt or roller conveyors
- Scale platforms and screw feeders

## Specifications

### Full Scale Output:

4.0 mV/V  
2.0 mV/V (2,500 lb)

### Bridge Resistance:

350 ohm nominal

### Material/Finish:

Stainless steel

### Temperature:

Compensated:  
15 °F to 115 °F (9 °C to 46 °C)

### Seal Type:

Hermetically sealed, IP66/68

### Safe Overload:

150% full scale

### Rated Excitation:

5 to 10 VDC (20 V maximum)

### Nonlinearity:

0.05% full scale

### Hysteresis:

0.03% full scale

### Insulation Resistance:

5,000 megohm

### Cable Length:

30 ft

### Cable Color Code:

Red +Excitation  
Black -Excitation  
White +Signal  
Green -Signal

### Warranty:

Two-year limited

## Order Information

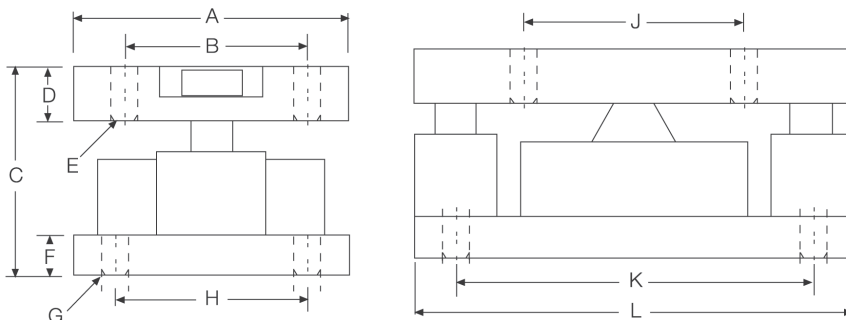
Load Rating (Per Module)	Part #	Price
<b>Single Module</b>		
2,500 lb	76657	\$2,765.00
5,000 lb	45845	\$2,765.00
10,000 lb	45844	\$2,765.00
25,000 lb	45843	\$4,680.00
50,000 lb	45842	\$4,680.00
<b>3-Module Kit</b>		
2,500 lb	76899	\$7,865.00
5,000 lb	46478	\$7,865.00
10,000 lb	46479	\$7,865.00
25,000 lb	46480	\$13,710.00
50,000 lb	46481	\$13,710.00
<b>4-Module Kit</b>		
2,500 lb	76900	\$10,400.00
5,000 lb	46482	\$10,400.00
10,000 lb	46483	\$10,400.00
25,000 lb	46484	\$17,890.00
50,000 lb	46485	\$17,890.00

## Replacement Load Cell Order Information

Load Rating (Per Module)	Part #	Price
2,500 lb	76655	\$1,563.00
5,000 lb	45712	\$1,563.00
10,000 lb	45713	\$1,563.00
25,000 lb	45714	\$2,565.00
50,000 lb	45715	\$2,565.00

## Dimensions

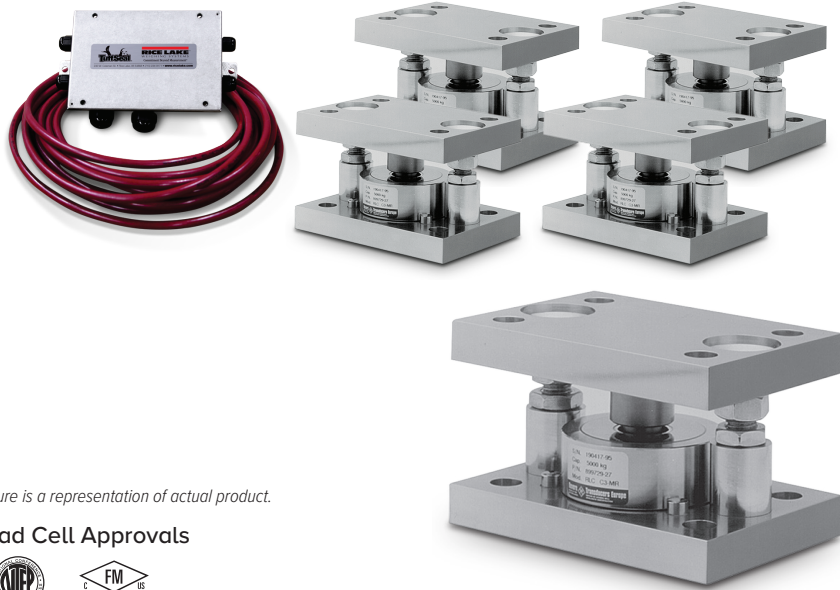
Rated Capacity	A	B	C	D	E	F	G	H	J	K	L
lb/in											
2,500 to 10,000	5.00	3.50	4.00	1.00	0.52	1.00	0.52	3.50	4.00	6.50	8.00
25,000 to 50,000	6.00	4.50	5.00	1.25	0.78	1.00	0.78	4.50	5.00	7.75	10.00



# RLC

Stainless Steel, Weigh Modules, VPG® Revere

LOAD CELLS /  
WEIGH MODULES



Picture is a representation of actual product.

## Load Cell Approvals



## Order Information

Load Rating (Per Module)	Part #	Price
<b>Single Module (Includes Load Cell)</b>		
0.5t	36401	\$1,198.00
1t	36402	\$1,198.00
2t	36403	\$1,383.00
3.5t	36404	\$1,383.00
5t	36405	\$1,383.00
<b>3-Module Kit</b>		
0.5t	36406	\$3,885.00
1t	36407	\$3,885.00
2t	36408	\$4,065.00
3.5t	36409	\$4,065.00
5t	36410	\$4,065.00
<b>4-Module Kit</b>		
0.5t	36411	\$5,083.00
1t	36412	\$5,083.00
2t	36413	\$5,422.00
3.5t	36414	\$5,422.00
5t	36415	\$5,422.00

## Replacement Rocker Pin Set\*

Load Rating (Per Module)	Part #	Price
250 kg to 1 t	170875	\$132.00
2 t to 5 t	170876	\$132.00

\*Kit includes upper cup, rocker pin and grease

## Dimensions

Rated Capacity	H	H1	H2	L	L1	L2	T	W	W1	W2
ton/mm										
0.5 to 1	80.0	20.0	15.0	150.0	15.0	120.0	14.0 (top plate)	100.0	70.0	15.0
2 to 5	100.0	20.0	20.0	160.0	20.0	120.0	13.8 (bottom plate)	110.0	70.0	20.0

## Complete Kit Includes

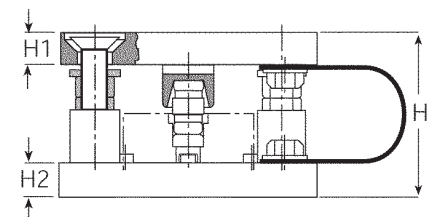
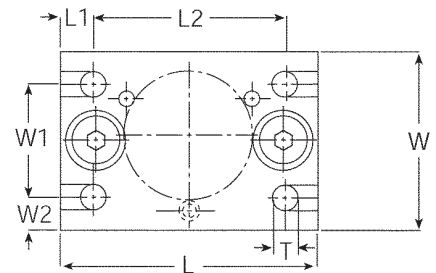
- Three or four RLC stainless steel compression mounts with RLC NTEP Certified stainless steel hermetically sealed compression disk load cells
- One JB4SS NEMA Type 4X stainless steel signal trim junction box
- 25 ft of hostile environment EL147HE SURVIVOR® load cell cable

## Standard Features

- Capacities (per module): 0.5 to 5 t
- mV/V/Ohm calibrated load cells eliminates the need for trimming
- Stainless steel construction
- Rocker pin design allows movement in all directions
- Easy load cell replacement
- Integral jacking/shipping bolts

## Applications

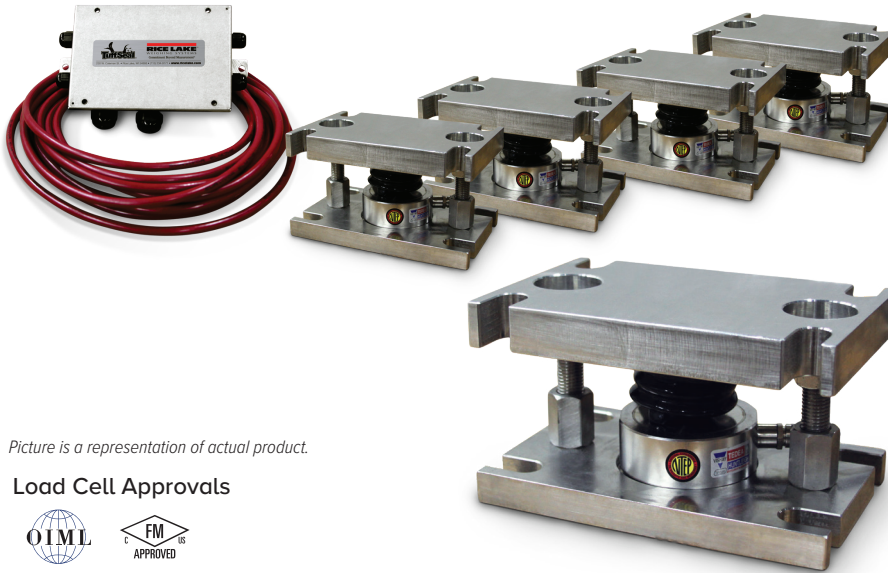
- Medium-capacity tanks, bins and hoppers
- Washdown or corrosive applications
- Process control and batch weighing





# 220 Universal Mount

Stainless Steel, Weigh Modules, VPG® Tedeia-Huntleigh®



Picture is a representation of actual product.

## Load Cell Approvals



## Complete Kit Includes

- Three or four 220 stainless steel compression mounts with 220 stainless steel hermetically sealed compression disk load cells
- One JB4SS NEMA Type 4X stainless steel signal trim junction box
- 25 ft of hostile environment EL147HE SURVIVOR® load cell cable

## Standard Features

- Capacities (per module): 5,000 to 30,000 kg
- mV/V/ohm calibrated load cells eliminates the need for trimming
- Stainless steel construction
- Easy load cell replacement
- Integral jacking/shipping bolts

## Applications

- Medium- to high-capacity tanks, bins and hoppers
- Washdown or corrosive applications
- Process control and batch weighing

LOAD CELLS /  
WEIGH MODULES

## Order Information

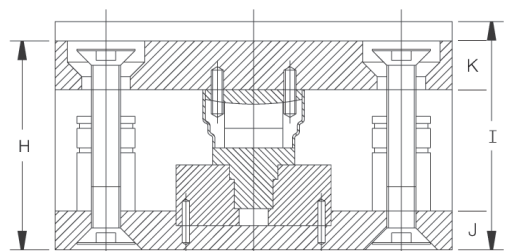
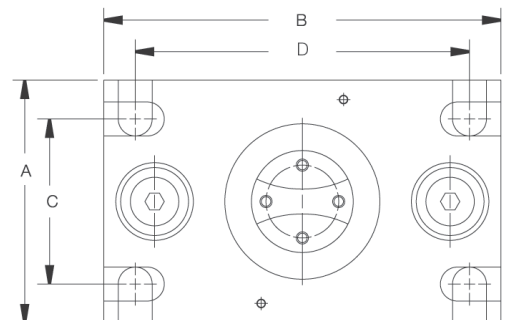
Load Rating (Per Module)	Part #	Price
<b>3-Module Kit (Includes Load Cell)</b>		
5,000 kg	66208	\$6,355.00
10,000 kg	66209	\$6,355.00
20,000 kg	66210	\$7,200.00
30,000 kg	66211	\$7,200.00
<b>4-Module Kit (Includes Load Cell)</b>		
5,000 kg	66212	\$8,369.00
10,000 kg	66213	\$8,369.00
20,000 kg	66214	\$9,672.00
30,000 kg	66215	\$9,672.00

## Replacement Mount Parts

Load Rating (Per Module)	Part #	Price
Saddle 5 t to 10 t	170879	\$132.00
Rolling cylinder 5 to 10t	170882	\$111.00
Load adapter 5 t	170880	\$117.00
Load adapter 10 t	170881	\$165.00
Rubber boot 5 to 10 t	171211	\$37.00
Saddle 20 to 30 t	170884	\$127.00
Rolling cylinder 20 to 30 t	170885	\$58.00
Load adapter 20 to 30 t	170883	\$111.00
Rubber boot 20 to 30 t	171212	\$32.00

## Dimensions

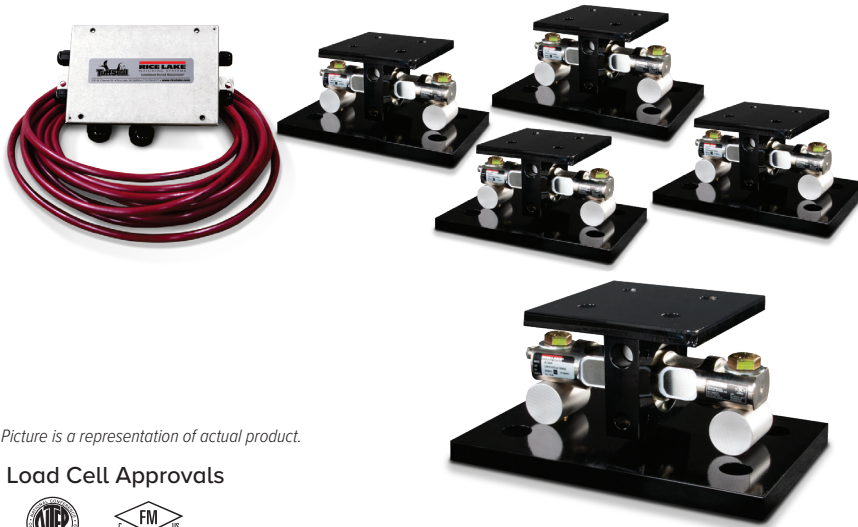
Rated Capacity	A	B	C	D	E	H	I	J	K
kg/mm									
5,000 to 10,000	127.0	203.0	90.0	170.0	18.0	107.0	Load Cell Replacement Height: 118.0 Operating Height: 107.0	19.1	25.4
20,000 to 30,000	152.0	245.0	115.0	208.0	24.0	148.0	Load Cell Replacement Height: 156.0 Operating Height: 148.1	31.8	25.4



# EZ Mount 1 with RL72020

Mild Steel, Weigh Modules

LOAD CELLS /  
WEIGH MODULES



Picture is a representation of actual product.

## Load Cell Approvals



## Order Information

Load Rating (Per Module)	Part #	Price
<b>Single Module (Does NOT Include Load Cell)</b>		
5,000 to 20,000 lb	<b>17823</b>	\$360.00
30,000 to 60,000 lb	<b>17824</b>	\$975.00
100,000 lb	<b>17850</b>	\$1,340.00
150,000 lb	<b>29012</b>	\$1,340.00
200,000 to 250,000 lb	<b>26068</b>	\$3,060.00
<b>3-Module Kit</b>		
5,000 lb	<b>208881</b>	\$3,310.00
10,000 lb	<b>208882</b>	\$3,310.00
20,000 lb	<b>208883</b>	\$3,310.00
30,000 lb	<b>208884</b>	\$5,350.00
40,000 lb	<b>208885</b>	\$5,350.00
50,000 lb	<b>208886</b>	\$5,350.00
60,000 lb	<b>208887</b>	\$5,350.00
100,000 lb	<b>208888</b>	\$8,620.00
150,000 lb	<b>208889</b>	\$8,620.00
<b>4-Module Kit</b>		
5,000 lb	<b>208892</b>	\$4,300.00
10,000 lb	<b>208893</b>	\$4,300.00
20,000 lb	<b>208894</b>	\$4,300.00
30,000 lb	<b>208895</b>	\$6,765.00
40,000 lb	<b>208896</b>	\$6,765.00
50,000 lb	<b>208897</b>	\$6,765.00
60,000 lb	<b>208898</b>	\$6,765.00
100,000 lb	<b>208899</b>	\$11,205.00
150,000 lb	<b>208900</b>	\$11,205.00

## VPG Revere 5103

### Order Information

Load Rating (Per Module)	Part #	Price
<b>3-Module Kit</b>		
5,000 lb	<b>18175</b>	\$3,420.00
10,000 lb	<b>18176</b>	\$3,420.00
20,000 lb	<b>18177</b>	\$3,420.00
30,000 lb	<b>32169</b>	\$5,465.00
40,000 lb	<b>32171</b>	\$5,465.00
50,000 lb	<b>18178</b>	\$5,625.00
60,000 lb	<b>18179</b>	\$5,625.00
100,000 lb	<b>18180</b>	\$8,735.00
150,000 lb	<b>18181</b>	\$8,735.00
<b>4-Module Kit</b>		
5,000 lb	<b>18182</b>	\$4,410.00
10,000 lb	<b>18183</b>	\$4,410.00
20,000 lb	<b>18184</b>	\$4,410.00
30,000 lb	<b>32170</b>	\$6,920.00
40,000 lb	<b>32172</b>	\$6,920.00
50,000 lb	<b>18185</b>	\$6,920.00
60,000 lb	<b>18186</b>	\$6,920.00
100,000 lb	<b>18187</b>	\$11,380.00
150,000 lb	<b>18188</b>	\$11,380.00
<b>Dummy Load Cells</b>		
5,000 to 20,000 lb	<b>33749</b>	\$90.00
30,000 to 60,000 lb	<b>74016</b>	\$122.00
100,000 lb	<b>94175</b>	\$265.00
150,000 lb	<b>158715</b>	\$265.00
<b>Grounding Kit</b>		
5,000 to 60,000 lb	<b>126419</b>	\$21.00

## Complete Kit Includes

- Three or four EZ Mount 1 mild steel compression mounts with RL72020 NTEP Certified double-ended shear beam load cells
- One JB4SS NEMA Type 4X stainless steel signal trim junction box
- 25 ft of hostile environment EL147HE SURVIVOR® load cell cable

## Standard Features

- Capacities (per module): 5,000 to 250,000 lb
- Unique sliding pin design compensates for thermal expansion/contraction
- Coated mild steel construction
- Self-checking
- Easy load cell replacement
- Simplified design allows bolting directly to tank and floor
- Center-loaded double-ended shear beam design
- Low-profile design
- Compatible with VPG® Revere 5103 load cell

## Applications

- Medium-to heavy-capacity tank and hopper weighing applications

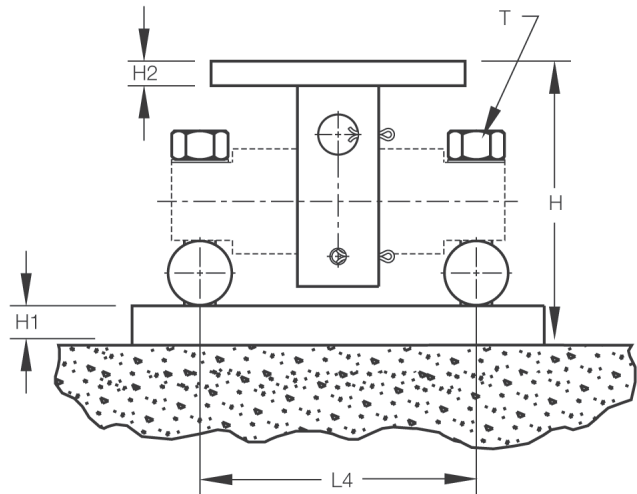
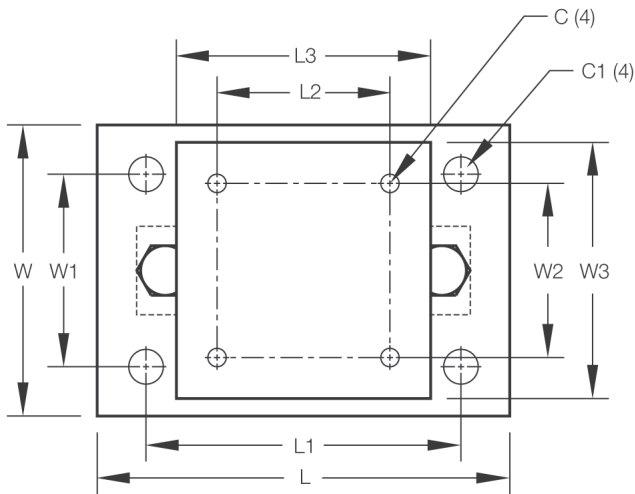
# EZ Mount 1 with RL72020

Mild Steel, Weigh Modules

LOAD CELLS /  
WEIGH MODULES

## Dimensions

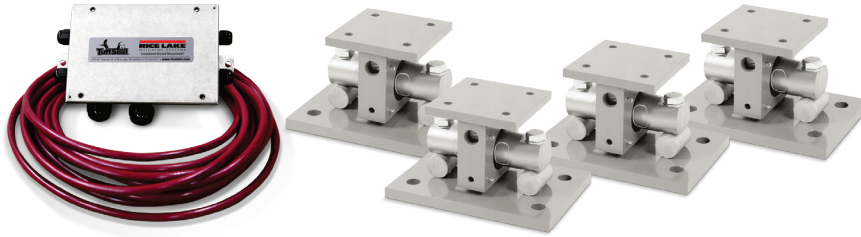
Rated Capacity	C	C1	H	H1	H2	L	L1	L2	L3	L4	T	W	W1	W2	W3
5,000 to 20,000	0.56	1.06	5.31	0.75	0.50	11.00	8.00	3.00	6.00	6.87	5/8-18 UNF	7.50	4.00	3.00	6.00
30,000 to 60,000	0.68	1.19	8.43	1.00	0.75	15.00	11.50	5.12	8.00	8.50	1-14 UNS	10.00	6.00	5.12	8.00
100,000 to 150,000	0.81	1.38	10.37	1.25	1.25	18.00	14.00	7.50	10.00	9.50	1-14 UNS	12.00	9.00	7.50	10.00
200,000 to 250,000	1.06	1.88	16.75	2.00	2.00	26.00	20.00	9.00	12.00	13.00	1 1/2-12 UNS	12.00	6.00	9.00	12.00



# EZ Mount 1 SS with RL72020SS

Stainless Steel, Weigh Modules

LOAD CELLS /  
WEIGH MODULES

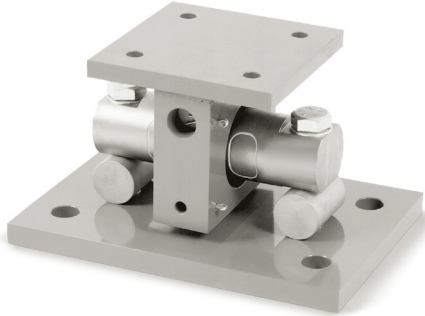


Picture is a representation of actual product.

## Load Cell Approvals



NTEP Excluding  
5K and 150K



## Complete Kit Includes

- Three or four EZ Mount 1 stainless steel compression mounts with RL72020SS stainless steel double-ended shear beam load cells
- One JB4SS NEMA Type 4X stainless steel signal trim junction box
- 25 ft of our hostile environment EL147HE SURVIVOR® load cell cable

## Standard Features

- Capacities (per module): 5,000 to 150,000 lb
- NTEP Certified load cells (except for 5 k and 150 k)
- Stainless steel construction
- Unique sliding pin design compensates for thermal expansion/contraction
- Self-checking
- Easy load cell replacement
- Simplified design allows bolting directly to tank and floor
- Center-loaded double-ended shear beam design
- Low-profile design
- Compatible with VPG® Revere 9103 load cell

## Applications

- Medium to heavy-capacity tank and hopper weighing applications

## Order Information

Load Rating (Per Module)	Part #	Price
<b>Single Module (Does NOT Include Load Cell)</b>		
5,000 to 20,000 lb	<b>17943</b>	\$885.00
30,000 to 60,000 lb	<b>17944</b>	\$2,450.00
100,000 lb	<b>17945</b>	\$4,480.00
150,000 lb	<b>29011</b>	\$4,480.00
<b>3-Module Kit</b>		
5,000 lb*	<b>208914</b>	\$5,290.00
10,000 lb	<b>208917</b>	\$5,290.00
20,000 lb	<b>208918</b>	\$5,290.00
30,000 lb	<b>208919</b>	\$10,640.00
40,000 lb	<b>208920</b>	\$10,640.00
50,000 lb	<b>208921</b>	\$10,640.00
60,000 lb	<b>208922</b>	\$10,640.00
100,000 lb	<b>208923</b>	\$19,570.00
150,000 lb*	<b>208924</b>	\$19,570.00

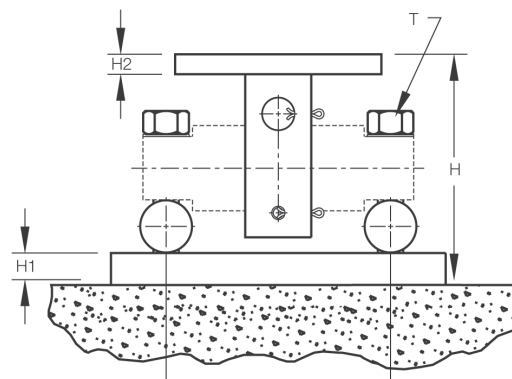
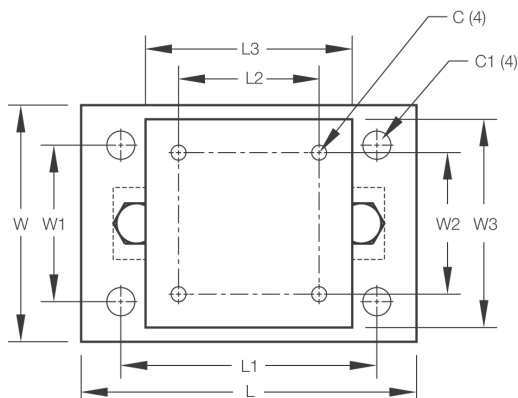
\* Non-NTEP Certified

Load Rating (Per Module)	Part #	Price
<b>4-Module Kit</b>		
5,000 lb*	<b>208925</b>	\$6,865.00
10,000 lb	<b>208926</b>	\$6,865.00
20,000 lb	<b>208927</b>	\$6,865.00
30,000 lb	<b>208928</b>	\$14,010.00
40,000 lb	<b>208929</b>	\$14,010.00
50,000 lb	<b>208930</b>	\$14,010.00
60,000 lb	<b>208931</b>	\$14,010.00
100,000 lb	<b>208932</b>	\$26,030.00
150,000 lb*	<b>208933</b>	\$26,030.00
<b>Dummy Load Cells (Mild Steel)</b>		
5,000 to 20,000 lb	<b>33749</b>	\$90.00
30,000 to 60,000 lb	<b>74016</b>	\$122.00
100,000 lb	<b>94175</b>	\$265.00
150,000 lb	<b>158715</b>	\$265.00
<b>Grounding Kit</b>		
5,000 to 60,000 lb	<b>126419</b>	\$21.00

Includes ground strap and mounting hardware per mount

## Dimensions

Rated Capacity	C	C1	H	H1	H2	L	L1	L2	L3	L4	T	W	W1	W2	W3
lb/in															
5,000 to 20,000	0.56	1.06	5.31	0.75	0.50	11.00	8.00	3.00	6.00	6.87	5/8-18 UNF	7.50	4.00	3.00	6.00
30,000 to 60,000	0.68	1.19	8.43	1.00	0.75	15.00	11.50	5.12	8.00	8.50	1-14 UNS	10.00	6.00	5.12	8.00
100,000 to 150,000	0.81	1.38	10.37	1.25	1.25	18.00	14.00	7.50	10.00	9.50	1-14 UNS	12.00	9.00	7.50	10.00



# EZ Mount 1 with MLC Coated RL72020

Stainless Steel, Weigh Modules

LOAD CELLS / WEIGH MODULES



Picture is a representation of actual product.

## Load Cell Approvals



## Complete Kit Includes

- Three or four EZ Mount 1 stainless steel compression mounts with coated RL72020 MLC Coated NTEP Certified double-ended shear beam load cells
- One JB4SS NEMA Type 4X stainless steel signal trim junction box
- 25 ft of hostile environment EL147HE SURVIVOR® load cell cable

## Standard Features

- Capacities (per module): 5,000 to 150,000 lb
- Unique sliding pin design compensates for thermal expansion/contraction
- Stainless steel construction (mount)
- Self-checking
- Easy load cell replacement
- Simplified design allows bolting directly to tank and floor
- Center-loaded double-ended shear beam design
- Low-profile design

## Applications

- Medium to heavy capacity tank and fertilizer hopper weighing applications

## Order Information

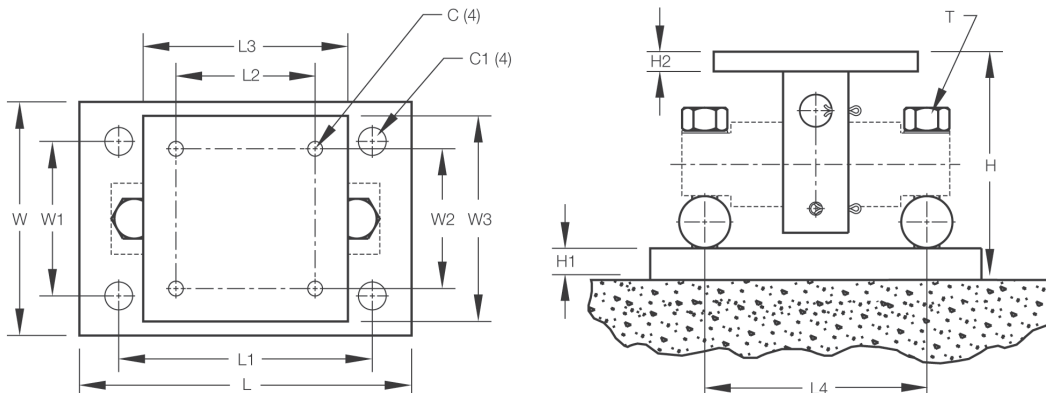
Load Rating (Per Module)	Part #	Price
<b>Single Module (Does NOT Include Load Cell)</b>		
5,000 to 20,000 lb	<b>17943</b>	\$885.00
30,000 to 60,000 lb	<b>17944</b>	\$2,450.00
100,000 lb	<b>17945</b>	\$4,480.00
150,000 lb	<b>29011</b>	\$4,480.00
<b>3-Module Kit</b>		
5,000 lb	<b>208957</b>	\$4,775.00
10,000 lb	<b>208959</b>	\$4,775.00
20,000 lb	<b>208961</b>	\$4,775.00
30,000 lb	<b>208963</b>	\$9,895.00
40,000 lb	<b>208965</b>	\$9,895.00
50,000 lb	<b>208967</b>	\$9,895.00
60,000 lb	<b>208969</b>	\$9,895.00
100,000 lb	<b>208971</b>	\$18,515.00
150,000 lb	<b>208973</b>	\$18,515.00

Load Rating (Per Module)	Part #	Price
<b>4-Module Kit</b>		
5,000 lb	<b>208958</b>	\$6,380.00
10,000 lb	<b>208960</b>	\$6,380.00
20,000 lb	<b>208962</b>	\$6,380.00
30,000 lb	<b>208964</b>	\$13,195.00
40,000 lb	<b>208966</b>	\$13,195.00
50,000 lb	<b>208968</b>	\$13,195.00
60,000 lb	<b>208970</b>	\$13,195.00
100,000 lb	<b>208972</b>	\$24,650.00
150,000 lb	<b>208974</b>	\$24,650.00
<b>Dummy Load Cells (Mild Steel)</b>		
5,000 to 20,000 lb	<b>33749</b>	\$90.00
30,000 to 60,000 lb	<b>74016</b>	\$122.00
100,000 lb	<b>94175</b>	\$265.00
150,000 lb	<b>158715</b>	\$265.00
<b>Grounding Kit</b>		
5,000 to 60,000 lb	<b>126419</b>	\$21.00

Includes ground strap and mounting hardware per mount

## Dimensions

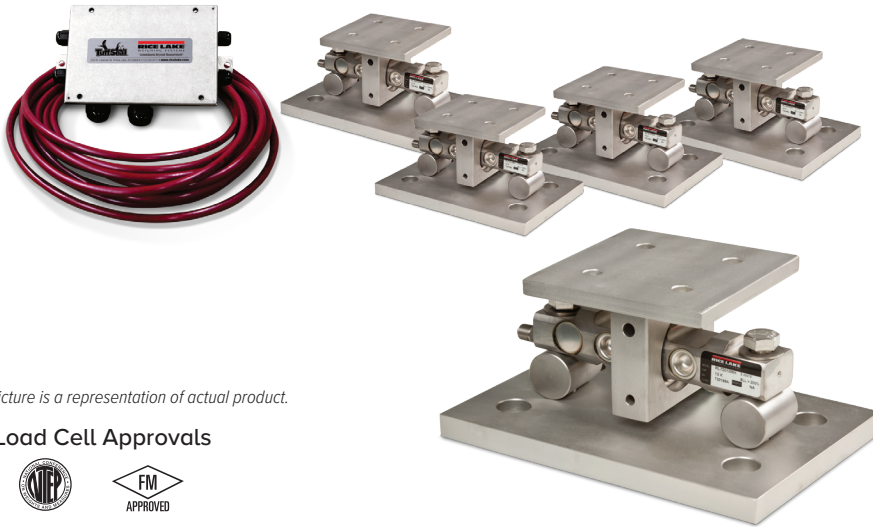
Rated Capacity	C	C1	H	H1	H2	L	L1	L2	L3	L4	T	W	W1	W2	W3
5,000 to 20,000	0.56	1.06	5.31	0.75	0.50	11.00	8.00	3.00	6.00	6.87	5/8-18 UNF	7.50	4.00	3.00	6.00
30,000 to 60,000	0.68	1.19	8.43	1.00	0.75	15.00	11.50	5.12	8.00	8.50	1-14 UNS	10.00	6.00	5.12	8.00
100,000 to 150,000	0.81	1.38	10.37	1.25	1.25	18.00	14.00	7.50	10.00	9.50	1-14 UNS	12.00	9.00	7.50	10.00



# EZ Mount 1 HE

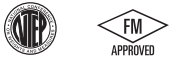
Stainless Steel, Weigh Modules

LOAD CELLS /  
WEIGH MODULES



Picture is a representation of actual product.

## Load Cell Approvals



## Order Information

Load Rating (Per Module)	Part #	Price
<b>3-Module Kit</b>		
5,000 lb*	<b>46695</b>	\$6,235.00
10,000 lb	<b>46696</b>	\$6,235.00
20,000 lb	<b>46697</b>	\$6,235.00
30,000 lb	<b>46698</b>	\$12,375.00
40,000 lb	<b>46699</b>	\$12,375.00
50,000 lb	<b>46700</b>	\$12,375.00
60,000 lb	<b>46701</b>	\$12,375.00
<b>4-Module Kit</b>		
5,000 lb*	<b>46702</b>	\$8,390.00
10,000 lb	<b>46703</b>	\$8,390.00
20,000 lb	<b>46704</b>	\$8,390.00
30,000 lb	<b>46705</b>	\$16,175.00
40,000 lb	<b>46706</b>	\$16,175.00
50,000 lb	<b>46707</b>	\$16,175.00
60,000 lb	<b>46708</b>	\$16,175.00
<b>Dummy Load Cells (Mild Steel)</b>		
5,000 to 20,000 lb	<b>33749</b>	\$90.00
30,000 to 60,000 lb	<b>74016</b>	\$122.00
<b>Grounding Kit</b>		
5,000 to 60,000 lb	<b>126419</b>	\$21.00

Includes ground strap and mounting hardware

\*Non-NTEP

## Dimensions

Rated Capacity	C	C1	H	H1	H2	L	L1	L2	L3	L4	T	W	W1	W2	W3
5,000 to 20,000	0.56	1.06	5.31	0.75	0.50	11.00	8.00	3.00	6.00	6.87	5/8-18 UNF	7.50	4.00	3.00	6.00
30,000 to 60,000	0.68	1.19	8.43	1.00	0.75	15.00	11.50	5.12	8.00	8.50	1-14 UNS	10.00	6.00	5.12	8.00

NOTES: Mounting bolts (T) may project on lower side of base plate. Foundation plate not included

## Shims

	Part #	Price
<b>5,000 to 20,000 lb, Stainless Steel</b>		
0.0625 in	<b>150886</b>	\$12.00
0.125 in	<b>150888</b>	\$18.00
0.250 in	<b>150889</b>	\$29.00
<b>30,000 to 60,000 lb, Stainless Steel</b>		
0.0625 in	<b>150890</b>	\$19.00
0.125 in	<b>150891</b>	\$30.00
0.250 in	<b>150892</b>	\$64.00
<b>5,000 to 20,000 lb, Mild Steel</b>		
0.0625 in	<b>150874</b>	\$5.00
0.125 in	<b>150876</b>	\$6.00
0.250 in	<b>150877</b>	\$8.00
<b>30,000 to 60,000 lb, Mild Steel</b>		
0.0625 in	<b>150878</b>	\$6.00
0.125 in	<b>150880</b>	\$9.00
0.250 in	<b>150881</b>	\$11.00

## Complete Kit Includes

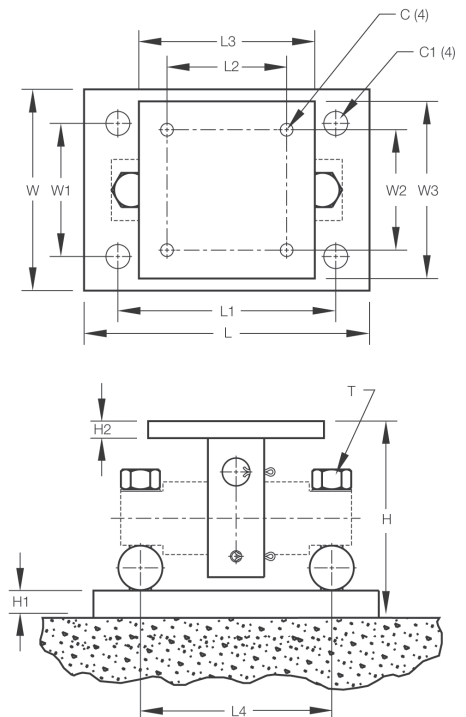
- Three or four EZ Mount 1 stainless steel compression mounts with RL72019SS welded-seal stainless steel double-ended shear beam load cells
- One JB4SS NEMA Type 4X stainless steel signal trim junction box
- 25 ft of our hostile environment EL147HE SURVIVOR® load cell cable

## Standard Features

- Capacities (per module): 5,000 to 60,000 lb
- NTEP Certified (except 5,000 lb)
- Stainless steel construction
- Unique sliding pin design compensates for thermal expansion/contraction
- Self-checking
- Easy load cell replacement
- Simplified design allows bolting directly to tank and floor
- Center-loaded, double-ended shear beam design
- Low-profile design

## Applications

- Medium- to heavy-capacity tank and hopper weighing applications



# RL1600 Series with RL75016

Cast Iron, Weigh Modules

LOAD CELLS / WEIGH MODULES



## Complete Kit Includes

- Three or four RL1600 cast iron compression mounts with RL75016 environmentally protected double-ended shear beam load cells
- One JB4SS NEMA Type 4X stainless steel signal trim junction box
- 25 ft of hostile environment EL147HE SURVIVOR® load cell cable

## Standard Features

- Capacities (per module): 1,000 to 25,000 lb
- Cast iron construction
- Self-checking easy-to-use design allows module to be bolted directly to tank leg without requiring additional mounting plates or load buttons
- Double-ended beam design, center loaded
- Compatible with VPG® Sensortronics® 65016 load cells, capacities (per module): 1,000 to 25,000 lb

## Applications

- Medium- to heavy-capacity tanks, bins and hoppers
- Bulk material management

Picture is a representation of actual product.

## Order Information

Load Rating (Per Module)	Part #	Price
<b>Single Module (Does NOT Include Load Cell)</b>		
1,000 to 5,000 lb	<b>17964</b>	\$185.00
10,000 to 25,000 lb	<b>17965</b>	\$357.00
<b>3-Module Kit</b>		
1,000 lb	<b>25663</b>	\$2,285.00
1,500 lb	<b>25664</b>	\$2,285.00
2,000 lb	<b>25665</b>	\$2,285.00
2,500 lb	<b>25666</b>	\$2,285.00
3,000 lb	<b>25667</b>	\$2,285.00
5,000 lb	<b>25668</b>	\$2,285.00
10,000 lb	<b>25669</b>	\$3,000.00
15,000 lb	<b>25671</b>	\$3,000.00
20,000 lb	<b>25672</b>	\$3,000.00
25,000 lb	<b>25674</b>	\$3,000.00
<b>4-Module Kit</b>		
1,000 lb	<b>25675</b>	\$2,925.00
1,500 lb	<b>25676</b>	\$2,925.00
2,000 lb	<b>25677</b>	\$2,925.00
2,500 lb	<b>25678</b>	\$2,925.00
3,000 lb	<b>25679</b>	\$2,925.00
5,000 lb	<b>25680</b>	\$2,925.00
10,000 lb	<b>25681</b>	\$3,875.00
15,000 lb	<b>25682</b>	\$3,875.00
20,000 lb	<b>25683</b>	\$3,875.00
25,000 lb	<b>25684</b>	\$3,875.00

Contact factory for load cell upgrade

## Dimensions

Rated Capacity	C	H	H1	H2	L	L1	L2	L3	T	W	W1	W2	W3
1,000 to 5,000	0.56	5.00	0.50	0.50	9.31	2.75	4.00	6.25	1/2-13 UNC	5.00	3.75	2.75	4.00
10,000 to 25,000	0.78	7.89	0.75	0.75	12.00	6.00	8.00	7.50	3/4-10 UNC	8.00	6.00	6.00	8.00

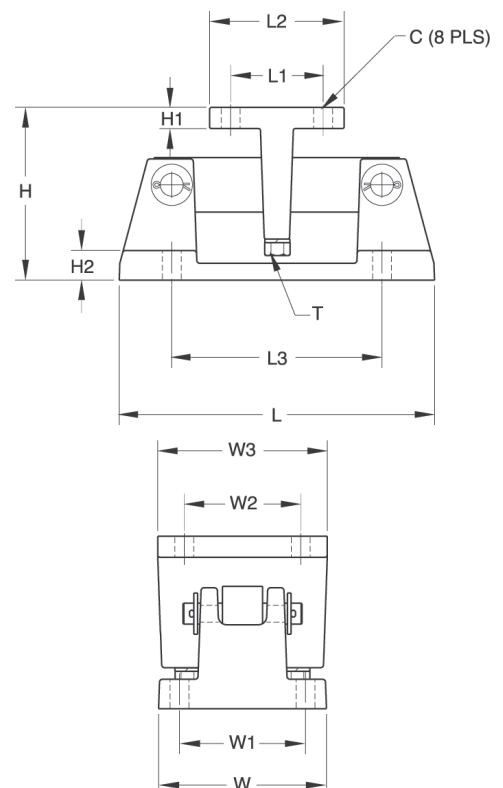
## VPG Sensortronics 65016 Order Information

Load Rating (Per Module)	Part #	Price
<b>3-Module Kit</b>		
1,000 lb	<b>25685</b>	\$2,685.00
1,500 lb	<b>25686</b>	\$2,685.00
2,500 lb	<b>25688</b>	\$2,685.00
5,000 lb	<b>25690</b>	\$2,685.00
10,000 lb	<b>25691</b>	\$3,400.00
15,000 lb	<b>25692</b>	\$3,400.00
20,000 lb	<b>25693</b>	\$3,400.00
25,000 lb	<b>25694</b>	\$3,400.00
<b>4-Module Kit</b>		
1,000 lb	<b>25695</b>	\$3,485.00
1,500 lb	<b>25696</b>	\$3,485.00
2,500 lb	<b>25698</b>	\$3,485.00
5,000 lb	<b>25700</b>	\$3,485.00
10,000 lb	<b>25701</b>	\$4,465.00
15,000 lb	<b>25702</b>	\$4,465.00
20,000 lb	<b>25703</b>	\$4,465.00
25,000 lb	<b>25704</b>	\$4,465.00
<b>Dummy Load Cells</b>		
1,000 to 5,000 lb	<b>18236</b>	\$26.00
10,000 to 25,000 lb	<b>18237</b>	\$42.00

Contact factory for load cell upgrade

## Shims, Mild Steel

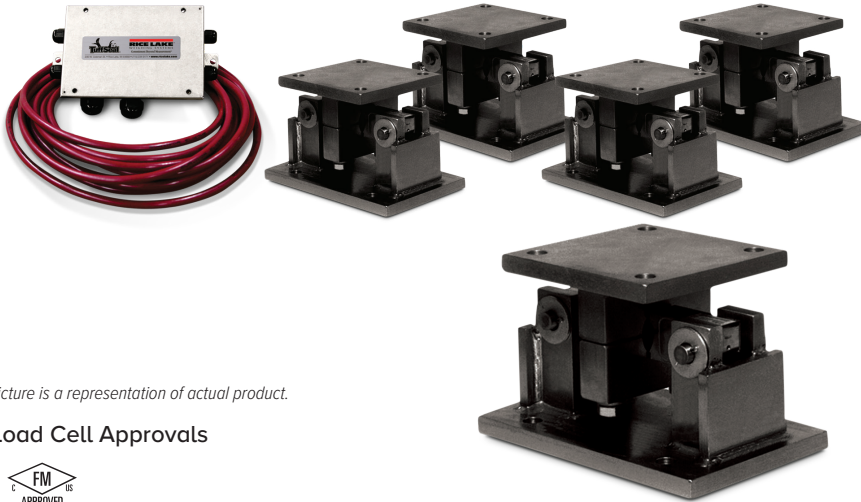
	Part #	Price
<b>1,000 to 5,000 lb</b>		
0.0625 in	<b>150844</b>	\$2.00
0.125 in	<b>150845</b>	\$3.00
0.250 in	<b>150846</b>	\$3.00
<b>10,000 to 25,000 lb</b>		
0.0625 in	<b>150847</b>	\$5.00
0.125 in	<b>150848</b>	\$7.50
0.250 in	<b>150849</b>	\$8.00



# RL1600 Series with RL75016

Mild Steel, Weigh Modules

LOAD CELLS / WEIGH MODULES



Picture is a representation of actual product.

## Load Cell Approvals



## Order Information

Load Rating (Per Module)	Part #	Price
<b>Single Module (Does NOT Include Load Cell)</b>		
1,000 to 5,000 lb	<b>17812</b>	\$185.00
10,000 to 25,000 lb	<b>17814</b>	\$357.00
50,000 lb	<b>17816</b>	\$1,197.00
75,000 lb	<b>25346</b>	\$1,197.00
<b>3-Module Kit</b>		
1,000 lb	<b>18117</b>	\$2,285.00
1,500 lb	<b>18118</b>	\$2,285.00
2,000 lb	<b>18119</b>	\$2,285.00
2,500 lb	<b>18120</b>	\$2,285.00
3,000 lb	<b>18121</b>	\$2,285.00
5,000 lb	<b>18122</b>	\$2,285.00
10,000 lb	<b>18123</b>	\$3,000.00
15,000 lb	<b>18124</b>	\$3,000.00
20,000 lb	<b>18125</b>	\$3,000.00
25,000 lb	<b>18126</b>	\$3,000.00
50,000 lb	<b>18127</b>	\$6,305.00
75,000 lb	<b>25348</b>	\$6,305.00
<b>4-Module Kit</b>		
1,000 lb	<b>18129</b>	\$2,925.00
1,500 lb	<b>18130</b>	\$2,925.00
2,000 lb	<b>18131</b>	\$2,925.00
2,500 lb	<b>18132</b>	\$2,925.00
3,000 lb	<b>18133</b>	\$2,925.00
5,000 lb	<b>18134</b>	\$2,925.00
10,000 lb	<b>18135</b>	\$3,875.00
15,000 lb	<b>18136</b>	\$3,875.00
20,000 lb	<b>18137</b>	\$3,875.00
25,000 lb	<b>18138</b>	\$3,875.00
50,000 lb	<b>18139</b>	\$8,425.00
75,000 lb	<b>25349</b>	\$8,425.00

Contact factory for load cell upgrade

## Dimensions

Rated Capacity	C	H	H1	H2	L	L1	L2	L3	T	W	W1	W2	W3
lb/in													
1,000 to 5,000	0.56	5.00	0.50	0.50	9.25	2.75	4.00	6.25	1/2-13 UNC	5.00	3.75	2.75	4.00
10,000 to 25,000	0.78	7.87	0.75	0.75	12.00	6.00	8.00	7.50	3/4-10 UNC	8.00	6.00	6.00	8.00
50,000 to 75,000	0.78	9.25	1.00	1.00	16.25	6.50	9.00	11.50	1 1/4-7 UNC	12.00	9.50	6.50	9.00

## VPG Sensortronics 65016

### Order Information

Load Rating (Per Module)	Part #	Price
<b>3-Module Kit</b>		
1,000 lb	<b>18189</b>	\$2,685.00
1,500 lb	<b>18190</b>	\$2,685.00
2,500 lb	<b>18192</b>	\$2,685.00
5,000 lb	<b>18194</b>	\$2,685.00
10,000 lb	<b>18195</b>	\$3,400.00
15,000 lb	<b>18196</b>	\$3,400.00
20,000 lb	<b>18197</b>	\$3,400.00
25,000 lb	<b>18198</b>	\$3,400.00
50,000 lb	<b>18199</b>	\$6,800.00
75,000 lb	<b>25350</b>	\$6,800.00
<b>4-Module Kit</b>		
1,000 lb	<b>18201</b>	\$3,485.00
1,500 lb	<b>18202</b>	\$3,485.00
2,500 lb	<b>18204</b>	\$3,485.00
5,000 lb	<b>18206</b>	\$3,485.00
10,000 lb	<b>18207</b>	\$4,465.00
15,000 lb	<b>18208</b>	\$4,465.00
20,000 lb	<b>18209</b>	\$4,465.00
25,000 lb	<b>18210</b>	\$4,465.00
50,000 lb	<b>18211</b>	\$8,920.00
75,000 lb	<b>25351</b>	\$8,920.00
<b>Dummy Load Cells</b>		
1,000 to 5,000 lb	<b>18236</b>	\$26.00
10,000 to 25,000 lb	<b>18237</b>	\$42.00
50,000 lb	<b>18238</b>	\$56.00

Contact factory for load cell upgrade

## Complete Kit Includes

- Three or four RL1600 mild steel compression mounts with RL75016 environmentally protected double-ended shear beam load cells
- One JB4SS NEMA Type 4X stainless steel signal trim junction box
- 25 ft of our hostile environment EL147HE SURVIVOR® load cell cable

## Standard Features

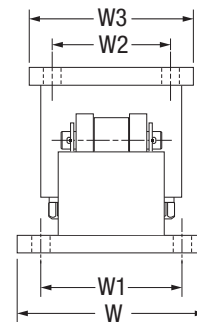
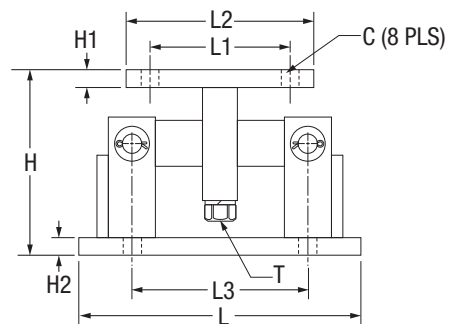
- Capacities (per module): 1,000 to 75,000 lb
- Coated mild steel construction
- Self-checking, easy-to-use design allows module to be bolted directly to tank leg without requiring additional mounting plates or load buttons
- Double-ended shear beam design, center loaded
- Compatible with VPG® Sensortronics® 65016 load cells

## Applications

- Medium- to heavy-capacity tanks, bins and hoppers
- Bulk material management

## Shims, Mild Steel

	Part #	Price
<b>1,000 to 5,000 lb</b>		
0.0625 in	<b>150844</b>	\$2.00
0.125 in	<b>150845</b>	\$3.00
0.250 in	<b>150846</b>	\$3.00
<b>10,000 to 25,000 lb</b>		
0.0625 in	<b>150847</b>	\$5.00
0.125 in	<b>150848</b>	\$7.50
0.250 in	<b>150849</b>	\$8.00
<b>50,000 to 75,000 lb</b>		
0.0625 in	<b>150850</b>	\$7.00
0.125 in	<b>150851</b>	\$9.00
0.250 in	<b>150866</b>	\$7.50

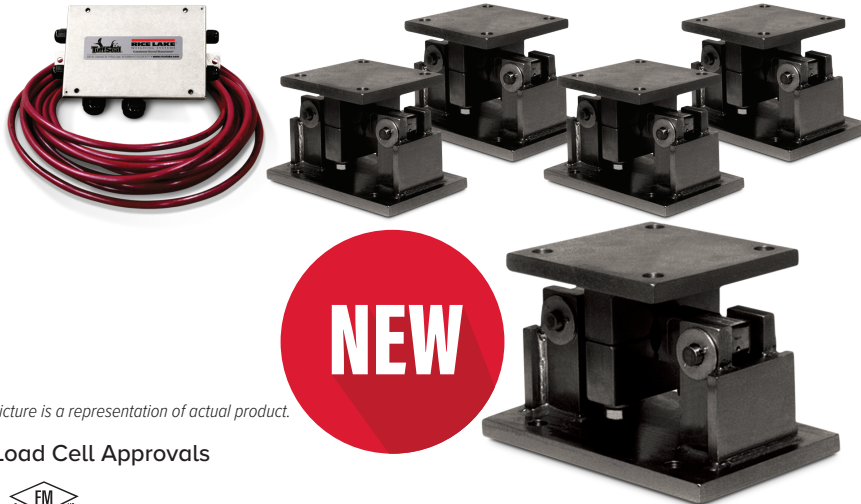




# RL1600 Series with RL77032

Mild Steel, Weigh Modules

LOAD CELLS / WEIGH MODULES



Picture is a representation of actual product.

## Load Cell Approvals



## Order Information

Load Rating (Per Module)	Part #	Price
<b>Single Module (Does NOT Include Load Cell)</b>		
1,000 to 5,000 lb	<b>17812</b>	\$185.00
10,000 to 25,000 lb	<b>17814</b>	\$357.00
50,000 lb	<b>17816</b>	\$1,197.00
75,000 lb	<b>25346</b>	\$1,197.00
<b>3-Module Kit</b>		
1,000 lb	<b>225213</b>	\$2,285.00
1,500 lb	<b>225214</b>	\$2,285.00
2,000 lb	<b>225215</b>	\$2,285.00
2,500 lb	<b>225216</b>	\$2,285.00
3,000 lb	<b>225217</b>	\$2,285.00
5,000 lb	<b>225218</b>	\$2,285.00
10,000 lb	<b>225219</b>	\$3,000.00
15,000 lb	<b>225220</b>	\$3,000.00
20,000 lb	<b>225221</b>	\$3,000.00
25,000 lb	<b>225222</b>	\$3,000.00
50,000 lb	<b>225223</b>	\$6,305.00
75,000 lb	<b>225224</b>	\$6,305.00
<b>4-Module Kit</b>		
1,000 lb	<b>225226</b>	\$2,925.00
1,500 lb	<b>225227</b>	\$2,925.00
2,000 lb	<b>225229</b>	\$2,925.00
2,500 lb	<b>225231</b>	\$2,925.00
3,000 lb	<b>225232</b>	\$2,925.00
5,000 lb	<b>225233</b>	\$2,925.00
10,000 lb	<b>225234</b>	\$3,875.00
15,000 lb	<b>225235</b>	\$3,875.00
20,000 lb	<b>225236</b>	\$3,875.00
25,000 lb	<b>225237</b>	\$3,875.00
50,000 lb	<b>225238</b>	\$8,425.00
75,000 lb	<b>225239</b>	\$8,425.00

## VPG Scentroidrics 65016 Order Information

Load Rating (Per Module)	Part #	Price
<b>3-Module Kit</b>		
1,000 lb	<b>18189</b>	\$2,685.00
1,500 lb	<b>18190</b>	\$2,685.00
2,500 lb	<b>18192</b>	\$2,685.00
5,000 lb	<b>18194</b>	\$2,685.00
10,000 lb	<b>18195</b>	\$3,400.00
15,000 lb	<b>18196</b>	\$3,400.00
20,000 lb	<b>18197</b>	\$3,400.00
25,000 lb	<b>18198</b>	\$3,400.00
50,000 lb	<b>18199</b>	\$6,800.00
75,000 lb	<b>25350</b>	\$6,800.00
<b>4-Module Kit</b>		
1,000 lb	<b>18201</b>	\$3,485.00
1,500 lb	<b>18202</b>	\$3,485.00
2,500 lb	<b>18204</b>	\$3,485.00
5,000 lb	<b>18206</b>	\$3,485.00
10,000 lb	<b>18207</b>	\$4,465.00
15,000 lb	<b>18208</b>	\$4,465.00
20,000 lb	<b>18209</b>	\$4,465.00
25,000 lb	<b>18210</b>	\$4,465.00
50,000 lb	<b>18211</b>	\$8,920.00
75,000 lb	<b>25351</b>	\$8,920.00
<b>Dummy Load Cells</b>		
1,000 to 5,000 lb	<b>18236</b>	\$26.00
10,000 to 25,000 lb	<b>18237</b>	\$42.00
50,000 lb	<b>18238</b>	\$56.00

## Complete Kit Includes

- Three or four RL1600 mild steel compression mounts with RL77032 environmentally protected double-ended shear beam load cells
- One JB4SS NEMA Type 4X stainless steel signal trim junction box
- 25 ft of our hostile environment EL147HE SURVIVOR® load cell cable

## Standard Features

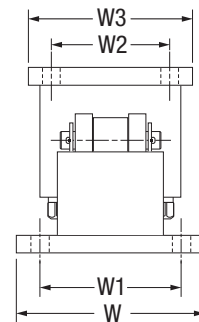
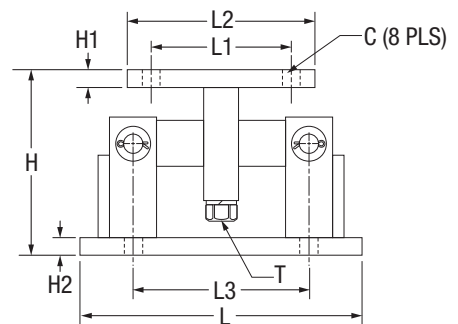
- Capacities (per module): 1,000 to 75,000 lb
- Coated mild steel construction
- Self-checking, easy-to-use design allows module to be bolted directly to tank leg without requiring additional mounting plates or load buttons
- Double-ended shear beam design, center loaded
- Compatible with VPG® Scentroidrics® 65016 load cells

## Applications

- Medium- to heavy-capacity tanks, bins and hoppers
- Bulk material management

## Shims, Mild Steel

	Part #	Price
<b>1,000 to 5,000 lb</b>		
0.0625 in	<b>150844</b>	\$2.00
0.125 in	<b>150845</b>	\$3.00
0.250 in	<b>150846</b>	\$3.00
<b>10,000 to 25,000 lb</b>		
0.0625 in	<b>150847</b>	\$5.00
0.125 in	<b>150848</b>	\$7.50
0.250 in	<b>150849</b>	\$8.00
<b>50,000 to 75,000 lb</b>		
0.0625 in	<b>150850</b>	\$7.00
0.125 in	<b>150851</b>	\$9.00
0.250 in	<b>150866</b>	\$7.50



## Dimensions

Rated Capacity	C	H	H1	H2	L	L1	L2	L3	T	W	W1	W2	W3
lb/in													
1,000 to 5,000	0.56	5.00	0.50	0.50	9.25	2.75	4.00	6.25	1/2-13 UNC	5.00	3.75	2.75	4.00
10,000 to 25,000	0.78	7.87	0.75	0.75	12.00	6.00	8.00	7.50	3/4-10 UNC	8.00	6.00	6.00	8.00
50,000 to 75,000	0.78	9.25	1.00	1.00	16.25	6.50	9.00	11.50	1 1/4-7 UNC	12.00	9.50	6.50	9.00

# RL1600 Series with RL75016SS

Stainless Steel, Weigh Modules

LOAD CELLS /  
WEIGH MODULES



Picture is a representation of actual product.

## Load Cell Approvals



## Order Information

Load Rating (Per Module)	Part #	Price
<b>Single Module (Does NOT Include Load Cell)</b>		
1,000 to 5,000 lb	<b>17813</b>	\$685.00
10,000 to 25,000 lb	<b>17815</b>	\$1,345.00
50,000 lb	<b>17842</b>	\$3,185.00
75,000 lb	<b>25347</b>	\$3,185.00
<b>3-Module Kit</b>		
1,000 lb	<b>18141</b>	\$3,820.00
1,500 lb	<b>18142</b>	\$3,820.00
2,000 lb	<b>18143</b>	\$3,820.00
2,500 lb	<b>18144</b>	\$3,820.00
5,000 lb	<b>18145</b>	\$3,820.00
10,000 lb	<b>18146</b>	\$5,830.00
15,000 lb	<b>18147</b>	\$5,830.00
20,000 lb	<b>18148</b>	\$5,830.00
25,000 lb	<b>18149</b>	\$5,830.00
50,000 lb	<b>18150</b>	\$13,255.00
75,000 lb	<b>25352</b>	\$13,255.00
<b>4-Module Kit</b>		
1,000 lb	<b>18152</b>	\$4,988.00
1,500 lb	<b>18153</b>	\$4,988.00
2,000 lb	<b>18154</b>	\$4,988.00
2,500 lb	<b>18155</b>	\$4,988.00
5,000 lb	<b>18156</b>	\$4,988.00
10,000 lb	<b>18157</b>	\$7,959.00
15,000 lb	<b>18158</b>	\$7,959.00
20,000 lb	<b>18159</b>	\$7,959.00
25,000 lb	<b>18160</b>	\$7,959.00
50,000 lb	<b>18161</b>	\$17,895.00
75,000 lb	<b>25353</b>	\$17,895.00

## Dimensions

Rated Capacity	C	H	H1	H2	L	L1	L2	L3	T	W	W1	W2	W3
lb/in													
1,000 to 5,000	0.56	5.00	0.50	0.50	9.25	2.75	4.00	6.25	1/2-13 UNC	5.00	3.75	2.75	4.00
10,000 to 25,000	0.78	7.87	0.75	0.75	12.00	6.00	8.00	7.50	3/4-10 UNC	8.00	6.00	6.00	8.00
50,000 to 75,000	0.78	9.25	1.00	1.00	16.25	6.50	9.00	11.50	1 1/4-7 UNC	12.00	9.50	6.50	9.00

## VPG Sensortronics 65016W Order Information

Load Rating (Per Module)	Part #	Price
<b>3-Module Kit</b>		
1,000 lb	<b>18213</b>	\$4,090.00
1,500 lb	<b>18214</b>	\$4,090.00
2,500 lb	<b>18216</b>	\$4,090.00
5,000 lb	<b>18217</b>	\$4,090.00
10,000 lb	<b>18218</b>	\$6,280.00
15,000 lb	<b>18219</b>	\$6,280.00
20,000 lb	<b>18220</b>	\$6,280.00
25,000 lb	<b>18221</b>	\$6,280.00
50,000 lb	<b>18222</b>	\$13,815.00
75,000 lb	<b>25354</b>	\$13,815.00
<b>4-Module Kit</b>		
1,000 lb	<b>18224</b>	\$5,375.00
1,500 lb	<b>18225</b>	\$5,375.00
2,500 lb	<b>18227</b>	\$5,375.00
5,000 lb	<b>18228</b>	\$5,375.00
10,000 lb	<b>18229</b>	\$8,290.00
15,000 lb	<b>18230</b>	\$8,290.00
20,000 lb	<b>18231</b>	\$8,290.00
25,000 lb	<b>18232</b>	\$8,290.00
50,000 lb	<b>18233</b>	\$18,225.00
75,000 lb	<b>25355</b>	\$18,225.00
<b>Dummy Load Cells (Mild Steel)</b>		
1,000 to 5,000 lb	<b>18236</b>	\$26.00
10,000 to 25,000 lb	<b>18237</b>	\$42.00
50,000 lb	<b>18238</b>	\$56.00

## Complete Kit Includes

- Three or four RL1600 stainless steel compression mounts with RL75016SS environmentally protected stainless steel double-ended shear beam load cells
- One JB4SS NEMA Type 4X stainless steel signal trim junction box
- 25 ft of hostile environment EL147HE SURVIVOR® load cell cable

## Standard Features

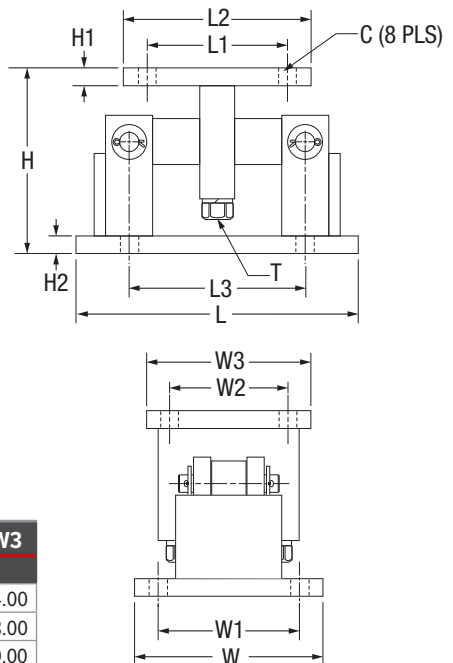
- Capacities (per module): 1,000 to 75,000 lb
- Stainless steel construction
- Self-checking, easy-to-use design allows module to be bolted directly to tank leg without requiring additional mounting plates or load buttons
- Double-ended shear beam design, center loaded
- Compatible with VPG® Sensortronics® 65016W SS load cells

## Applications

- Medium- to heavy-capacity tanks, bins and hoppers
- Bulk material management

## Shims, Stainless

Part #	Price
<b>1,000 to 5,000 lb</b>	
0.0625	<b>150852</b> \$7.00
0.125	<b>150853</b> \$12.00
0.250	<b>150854</b> \$18.00
<b>10,000 to 25,000 lb</b>	
0.0625	<b>150855</b> \$19.00
0.125	<b>150856</b> \$30.00
0.250	<b>150857</b> \$65.00
<b>50,000 to 75,000 lb</b>	
0.0625	<b>150858</b> \$27.00
0.125	<b>150859</b> \$38.00
0.250	<b>150861</b> \$79.00



# RL1600 SS Series with RL77032SS

Stainless Steel, Weigh Modules

LOAD CELLS / WEIGH MODULES



Picture is a representation of actual product.

## Load Cell Approvals



## Order Information

Load Rating (Per Module)	Part #	Price
<b>Single Module (Does NOT Include Load Cell)</b>		
1,000 to 5,000 lb	<b>17813</b>	\$685.00
10,000 to 25,000 lb	<b>17815</b>	\$1,345.00
50,000 lb	<b>17842</b>	\$3,185.00
75,000 lb	<b>25347</b>	\$3,185.00
<b>3-Module Kit</b>		
1,000 lb	<b>225333</b>	\$3,820.00
1,500 lb	<b>225334</b>	\$3,820.00
2,000 lb	<b>225335</b>	\$3,820.00
2,500 lb	<b>225336</b>	\$3,820.00
5,000 lb	<b>225337</b>	\$3,820.00
10,000 lb	<b>225338</b>	\$5,830.00
15,000 lb	<b>225340</b>	\$5,830.00
20,000 lb	<b>225341</b>	\$5,830.00
25,000 lb	<b>225342</b>	\$5,830.00
50,000 lb	<b>225343</b>	\$13,255.00
75,000 lb	<b>225344</b>	\$13,255.00
<b>4-Module Kit</b>		
1,000 lb	<b>225347</b>	\$4,988.00
1,500 lb	<b>225349</b>	\$4,988.00
2,000 lb	<b>225350</b>	\$4,988.00
2,500 lb	<b>225351</b>	\$4,988.00
5,000 lb	<b>225352</b>	\$4,988.00
10,000 lb	<b>225353</b>	\$7,959.00
15,000 lb	<b>225354</b>	\$7,959.00
20,000 lb	<b>225355</b>	\$7,959.00
25,000 lb	<b>225356</b>	\$7,959.00
50,000 lb	<b>225357</b>	\$17,895.00
75,000 lb	<b>225358</b>	\$17,895.00

## Dimensions

Rated Capacity	C	H	H1	H2	L	L1	L2	L3	T	W	W1	W2	W3
1,000 to 5,000 lb/in	0.56	5.00	0.50	0.50	9.25	2.75	4.00	6.25	1/2-13 UNC	5.00	3.75	2.75	4.00
10,000 to 25,000	0.78	7.87	0.75	0.75	12.00	6.00	8.00	7.50	3/4-10 UNC	8.00	6.00	6.00	8.00
50,000 to 75,000	0.78	9.25	1.00	1.00	16.25	6.50	9.00	11.50	1 1/4-7 UNC	12.00	9.50	6.50	9.00

## VPG Sentionics 65016W Order Information

Load Rating (Per Module)	Part #	Price
<b>3-Module Kit</b>		
1,000 lb	<b>18213</b>	\$4,090.00
1,500 lb	<b>18214</b>	\$4,090.00
2,500 lb	<b>18216</b>	\$4,090.00
5,000 lb	<b>18217</b>	\$4,090.00
10,000 lb	<b>18218</b>	\$6,280.00
15,000 lb	<b>18219</b>	\$6,280.00
20,000 lb	<b>18220</b>	\$6,280.00
25,000 lb	<b>18221</b>	\$6,280.00
50,000 lb	<b>18222</b>	\$13,815.00
75,000 lb	<b>25354</b>	\$13,815.00
<b>4-Module Kit</b>		
1,000 lb	<b>18224</b>	\$5,375.00
1,500 lb	<b>18225</b>	\$5,375.00
2,500 lb	<b>18227</b>	\$5,375.00
5,000 lb	<b>18228</b>	\$5,375.00
10,000 lb	<b>18229</b>	\$8,290.00
15,000 lb	<b>18230</b>	\$8,290.00
20,000 lb	<b>18231</b>	\$8,290.00
25,000 lb	<b>18232</b>	\$8,290.00
50,000 lb	<b>18233</b>	\$18,225.00
75,000 lb	<b>25355</b>	\$18,225.00
<b>Dummy Load Cells (Mild Steel)</b>		
1,000 to 5,000 lb	<b>18236</b>	\$26.00
10,000 to 25,000 lb	<b>18237</b>	\$42.00
50,000 lb	<b>18238</b>	\$56.00

## Complete Kit Includes

- Three or four RL1600 stainless steel compression mounts with RL77032SS environmentally protected stainless steel double-ended shear beam load cells
- One JB4SS NEMA Type 4X stainless steel signal trim junction box
- 25 ft of hostile environment EL147HE SURVIVOR® load cell cable

## Standard Features

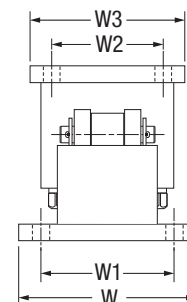
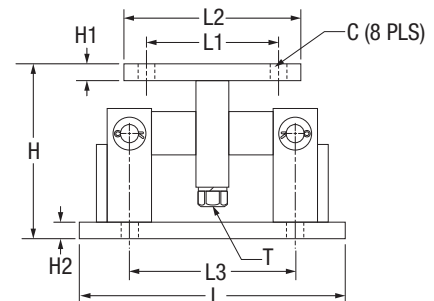
- Capacities (per module): 1,000 to 75,000 lb
- Stainless steel construction
- Self-checking, easy-to-use design allows module to be bolted directly to tank leg without requiring additional mounting plates or load buttons
- Double-ended shear beam design, center loaded
- Compatible with VPG® Sentionics® 65016W SS load cells

## Applications

- Medium- to heavy-capacity tanks, bins and hoppers
- Bulk material management

## Shims, Stainless

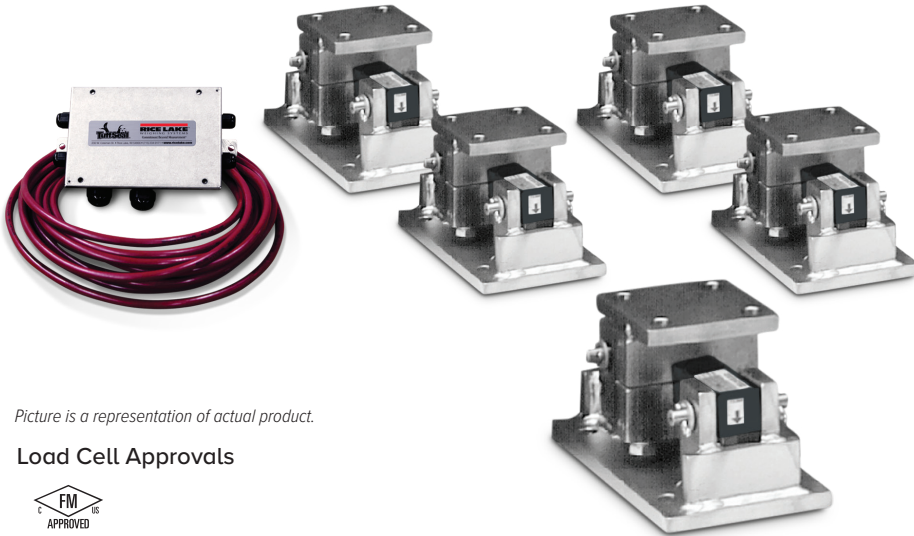
	Part #	Price
<b>1,000 to 5,000 lb</b>		
0.0625	<b>150852</b>	\$7.00
0.125	<b>150853</b>	\$12.00
0.250	<b>150854</b>	\$18.00
<b>10,000 to 25,000 lb</b>		
0.0625	<b>150855</b>	\$19.00
0.125	<b>150856</b>	\$30.00
0.250	<b>150857</b>	\$65.00
<b>50,000 to 75,000 lb</b>		
0.0625	<b>150858</b>	\$27.00
0.125	<b>150859</b>	\$38.00
0.250	<b>150861</b>	\$79.00



# RL1600 Series with MLC Coated RL75016

Stainless Steel, Weigh Modules

LOAD CELLS /  
WEIGH MODULES



Picture is a representation of actual product.

Load Cell Approvals



## Order Information

Load Rating (Per Module)	Part #	Price
<b>Single Module (Does NOT Include Load Cell)</b>		
1,000 to 5,000 lb	17813	\$685.00
10,000 to 25,000 lb	17815	\$1,345.00
50,000 lb	17842	\$3,185.00
75,000 lb	25347	\$3,185.00
<b>3-Module Kit</b>		
1,000 lb	199023	\$3,820.00
1,500 lb	199025	\$3,820.00
2,000 lb	199027	\$3,820.00
2,500 lb	199029	\$3,820.00
3,000 lb	199031	\$3,820.00
5,000 lb	199033	\$3,820.00
10,000 lb	199035	\$5,830.00
15,000 lb	199037	\$5,830.00
20,000 lb	199038	\$5,830.00
25,000 lb	199040	\$5,830.00
50,000 lb	199042	\$13,255.00
75,000 lb	199044	\$13,255.00
<b>4-Module Kit</b>		
1,000 lb	199024	\$4,985.00
1,500 lb	199026	\$4,985.00
2,000 lb	199028	\$4,985.00
2,500 lb	199030	\$4,985.00
3,000 lb	199032	\$4,985.00
5,000 lb	199034	\$4,985.00
10,000 lb	199036	\$7,955.00
15,000 lb	199056	\$7,955.00
20,000 lb	199039	\$7,955.00
25,000 lb	199041	\$7,955.00
50,000 lb	199043	\$17,895.00
75,000 lb	199045	\$17,895.00

## Dimensions

Rated Capacity	C	H	H1	H2	L	L1	L2	L3	T	W	W1	W2	W3
1,000 to 5,000	0.56	5.00	0.50	0.50	9.25	2.75	4.00	6.25	1/2-13 UNC	5.00	3.75	2.75	4.00
10,000 to 25,000	0.78	7.87	0.75	0.75	12.00	6.00	8.00	7.50	3/4-10 UNC	8.00	6.00	6.00	8.00
50,000 to 75,000	0.78	9.25	1.00	1.00	16.25	6.50	9.00	11.50	1 1/4-7 UNC	12.00	9.50	6.50	9.00

## Complete Kit Includes

- Three or four RL1600 stainless steel compression mounts with MLC coated RL75016 alloy steel, environmentally sealed, double ended shear beam load cells
- One JB4SS NEMA Type 4X stainless steel signal trim junction box
- 25 ft of hostile environment EL147HE SURVIVOR® load cell cable

## Standard Features

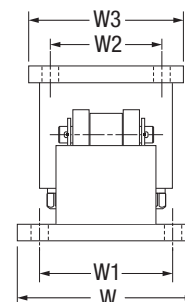
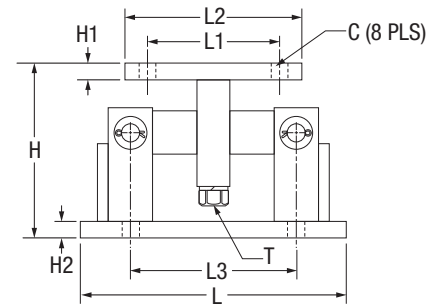
- Capacities (per module): 1,000 to 75,000 lb
- Stainless steel construction (mounts)
- Self-checking, easy-to-use design allows module to be bolted directly to tank leg without requiring additional mounting plates or load buttons
- Double-ended shear beam design, center loaded

## Applications

- Medium-to heavy-capacity tanks, bins, and hoppers
- Bulk material management

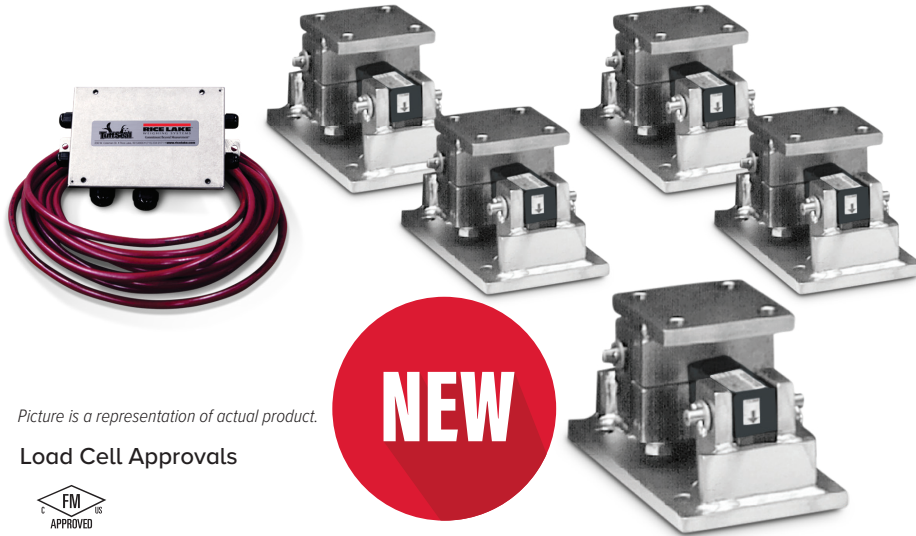
## Shims, Stainless

	Part #	Price
<b>1,000 to 5,000 lb</b>		
0.0625	150852	\$7.00
0.125	150853	\$12.00
0.250	150854	\$18.00
<b>10,000 to 25,000 lb</b>		
0.0625	150855	\$19.00
0.125	150856	\$30.00
0.250	150857	\$65.00
<b>50,000 to 75,000 lb</b>		
0.0625	150858	\$27.00
0.125	150859	\$38.00
0.250	150861	\$79.00



# RL1600 HE Series with RL77032SS HE

Stainless Steel, Weigh Modules



Picture is a representation of actual product.

Load Cell Approvals



## Order Information

Load Rating (Per Module)	Part #	Price
<b>Single Module (Does NOT Include Load Cell)</b>		
1,000 to 5,000 lb	17813	\$685.00
10,000 to 25,000 lb	17815	\$1,345.00
50,000 lb	17842	\$3,185.00
75,000 lb	25347	\$3,185.00
<b>3-Module Kit</b>		
1,000 lb	225359	\$4,500.00
1,500 lb	225360	\$4,500.00
2,000 lb	225361	\$4,500.00
2,500 lb	225362	\$4,500.00
5,000 lb	225363	\$4,500.00
10,000 lb	225364	\$6,725.00
15,000 lb	225365	\$6,725.00
20,000 lb	225366	\$6,725.00
25,000 lb	225367	\$6,725.00
50,000 lb	225368	\$14,180.00
75,000 lb	225369	\$14,180.00
<b>4-Module Kit</b>		
1,000 lb	225370	\$5,865.00
1,500 lb	225371	\$5,865.00
2,000 lb	225372	\$5,865.00
2,500 lb	225373	\$5,865.00
5,000 lb	225374	\$5,865.00
10,000 lb	225375	\$8,800.00
15,000 lb	225376	\$8,800.00
20,000 lb	225377	\$8,800.00
25,000 lb	225378	\$8,800.00
50,000 lb	225379	\$18,815.00
75,000 lb	225380	\$18,815.00
<b>Dummy Load Cell</b>		
1,000 to 5,000 lb	18236	\$26.00
10,000 to 25,000 lb	18237	\$42.00

## Dimensions

Rated Capacity	C	H	H1	H2	L	L1	L2	L3	T	W	W1	W2	W3
lb/in													
1,000 to 5,000	0.56	5.00	0.50	0.50	9.25	2.75	4.00	6.25	1/2-13 UNC	5.00	3.75	2.75	4.00
10,000 to 25,000	0.78	7.87	0.75	0.75	12.00	6.00	8.00	7.50	3/4-10 UNC	8.00	6.00	6.00	8.00
50,000 to 75,000	0.78	9.25	1.00	1.00	16.25	6.50	9.00	11.50	1 1/4-7 UNC	12.00	9.50	6.50	9.00

## Complete Kit Includes

- Three or four RL1600 HE stainless steel compression mounts with RL77032SS HE stainless steel, hermetically sealed, double-ended shear beam load cells
- One JB4SS NEMA Type 4X stainless steel signal trim junction box
- 25 ft of our hostile environment EL147HE SURVIVOR load cell cable

## Standard Features

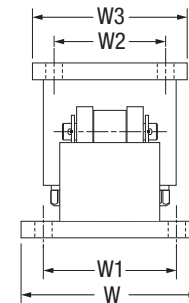
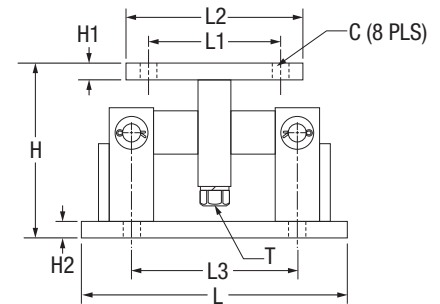
- All stainless steel construction
- Self-checking, easy-to-use design allows module to be bolted directly to tank leg without requiring additional mounting plates or load buttons
- Center loaded

## Applications

- Medium-capacity tanks, bins and hoppers
- Bulk material management
- Ingredient batching, mixing and blending

## Shims, Stainless

	Part #	Price
<b>1,000 to 5,000 lb</b>		
0.0625	150852	\$7.00
0.125	150853	\$12.00
0.250	150854	\$18.00
<b>10,000 to 25,000 lb</b>		
0.0625	150855	\$19.00
0.125	150856	\$30.00
0.250	150857	\$65.00
<b>50,000 to 75,000 lb</b>		
0.0625	150858	\$27.00
0.125	150859	\$38.00
0.250	150861	\$79.00



LOAD CELLS / WEIGH MODULES

# MVS Mount/MVS

Mild Steel, Conversion Kit

LOAD CELLS /  
WEIGH MODULES



Picture is a representation of actual product.

## Load Cell Approvals



## Order Information

Load Rating (Per Module)	Part #	Price
<b>MVS Mount (Does NOT Include Load Cell)</b>		
10,000 to 25,000 lb	<b>71200</b>	\$725.00
50,000 to 75,000 lb	<b>46441</b>	\$865.00
100,000 to 125,000 lb	<b>68520</b>	\$1,475.00
<b>MVS Conversion Kits (Includes 75,000 lb* Load Cells, Mounts and Junction Box)</b>		
4-module kit	<b>68495</b>	\$7,505.00
6-module kit	<b>68496</b>	\$11,050.00
8-module kit	<b>68497</b>	\$15,020.00
10-module kit	<b>68498</b>	\$19,465.00
<b>Dummy Load Cell</b>		
50,000 to 75,000 lb	<b>169388</b>	\$175.00
100,000 to 125,000 lb	<b>159696</b>	\$212.00

Custom heights available; Consult

\*Consult for other capacity requirements

## Complete Kit Includes

- Four to ten MVS mild steel mounts with RL75058-LP 75,000 lb NTEP Certified alloy steel environmentally sealed double-ended beam load cells.
- One JB8SPT NEMA 4 Type signal trim junction box (JB1010 on 10 module kit)
- 100 ft of our hostile environment EL147HE SURVIVOR® load cell cable

## Standard Features

- Capacity (per module): 10,000 to 125,000 lb
- Mild steel construction
- Specially hardened center link
- Self-checking design
- Self-centering design
- Accommodates thermal expansion and contraction
- Compatible with VPG® Sensortronics® 65058 or VPG® Celtron® CLB

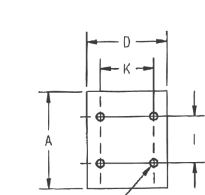
## Applications

- Truck scale conversion
- Heavy-capacity horizontal tanks

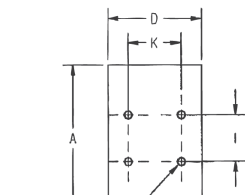
## Dimensions

Rated Capacity	A	B	C	D	E	F	G	H	I	J	K
lb/in											
10,000 to 25,000	7.25	14.00	7.00	6.00	7.00	5.25	4.50	11.50	3.50	8.50	4.00
50,000 to 75,000	11.00	14.25	12.00	7.00	—	11.00	10.00	7.25	3.50	11.53	4.00
100,000 to 125,000	12.50	14.75	17.25	9.00	—	12.75	14.25	11.25	5.00	14.21	6.00

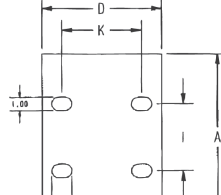
TOP VIEW OF TOP PLATES



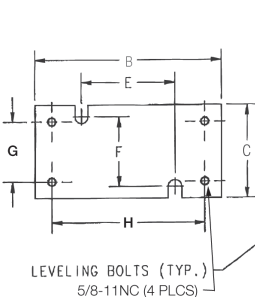
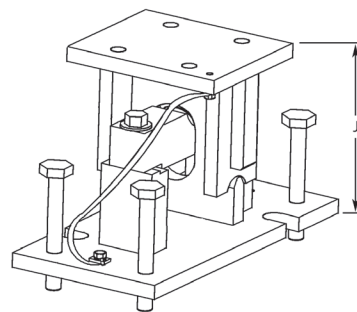
10K-25K



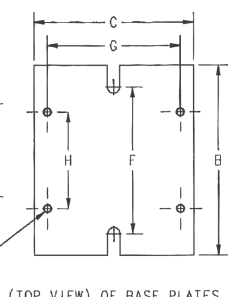
50K-75K



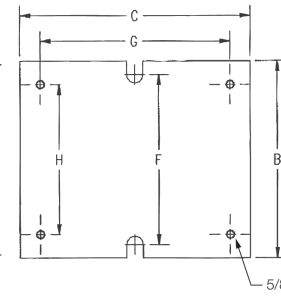
100K-125K



LEVELING BOLTS (TYP.)  
5/8-11NC (4 PLCS)



(TOP VIEW) OF BASE PLATES

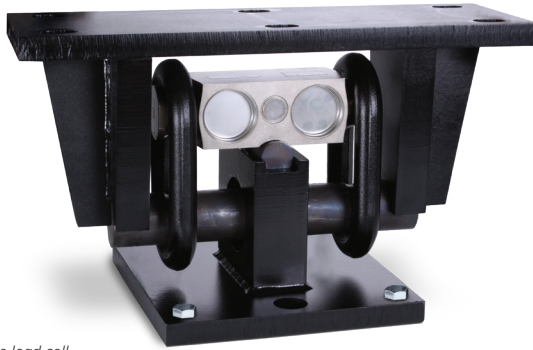


5/8-11NC (4 PLCS)

# Translink™ Parallel Link

Painted Mild Steel, Truck Scale Assembly

LOAD CELLS /  
WEIGH MODULES



Mount only; does not include load cell.  
Picture is a representation of actual product.

## Standard Features

- Capacities (per module): 25,000 to 100,000 lb
- Painted mild steel construction
- Center-supported, end-loaded double-ended shear beam design
- Free movement in all directions in the horizontal plane with virtually no friction
- Links provide optimal loading conditions for the cell
- Completely self-centering
- Requires no check rods
- Utilizes cells with 3 mV/V output
- Compatible with Rice Lake RL75223 and RL75040, VPG® Revere 5223 and VPG® Scentroidics® 65040A load cells

## Applications

- Truck scale mount
- Heavy-capacity horizontal tanks

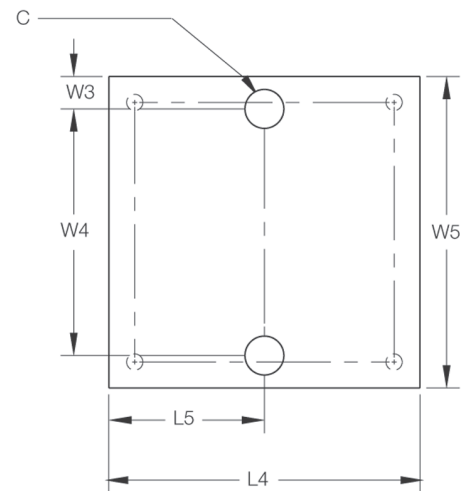
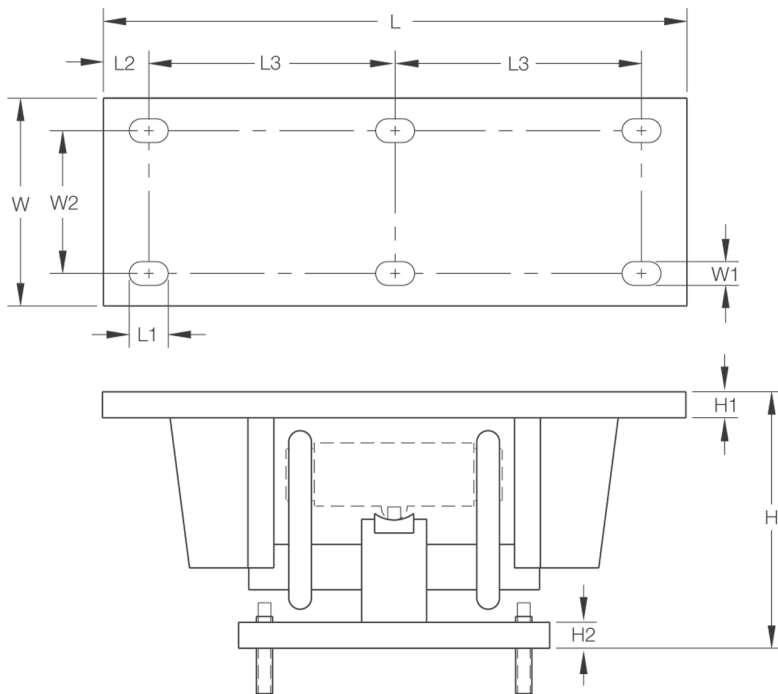
## Order Information

Load Rating (Per Module)	Part #	Price
<b>For Use With RL75223, 5223 Load Cells</b>		
50,000 to 100,000 lb	<b>17970</b>	\$885.00
<b>For Use With RL75040, 65040A Load Cells</b>		
25,000 to 40,000 lb	<b>17971</b>	\$885.00
50,000 to 75,000 lb	<b>17972</b>	\$885.00

Mount only; does not include load cell

## Dimensions

Rated Capacity	C	H	H1	H2	L	L1	L2	L3	L4	L5	W	W1	W2	W3	W4	W5
lb/in																
50,000 to 100,000 (RL75223, 5223)	1.50	12.93	1.00	1.00	22.50	1.50	1.75	9.50	11.75	5.88	7.75	0.91	5.25	1.25	9.25	11.75
25,000 to 40,000 (RL75040, 65040A)	1.50	9.88	1.00	1.00	18.50	1.50	1.75	7.50	11.75	5.88	7.75	0.91	5.25	1.25	9.25	11.75
50,000 to 75,000 (RL75040, 65040A)	1.50	12.82	1.00	1.00	22.50	1.50	1.75	9.50	11.75	5.88	7.75	0.91	5.25	1.25	9.25	11.75



# Motor Truck Scale Electronic Conversion Kit

LOAD CELLS /  
WEIGH MODULES



Picture is a representation of actual product.

## Load Cell Approvals



## Order Information

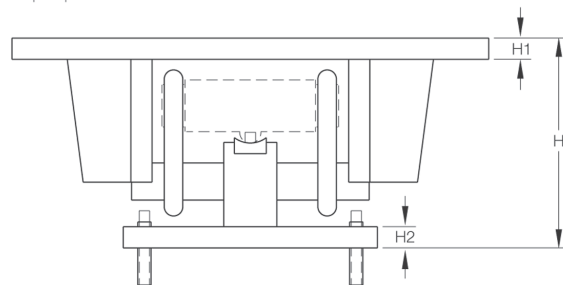
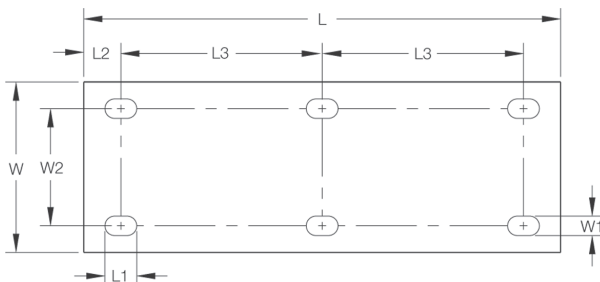
Load Cell Capacity (Per Module)	Part #	Load Cell Used In Kit	Price
<b>4-Module Kit</b>			
25,000 lb	<b>30513</b>	RL75040	\$6,324.00
40,000 lb	<b>30514</b>	RL75040	\$6,854.00
<b>6-Module Kit</b>			
50,000 lb	<b>30515</b>	RL75040	\$10,765.00
60,000 lb	<b>30516</b>	RL75040	\$10,765.00
<b>8-Module Kit</b>			
60,000 lb	<b>30517</b>	RL75040	\$13,899.00
75,000 lb	<b>30518</b>	RL75040	\$13,899.00
100,000 lb	<b>30512</b>	RL75223	\$16,787.00

SD refers to super duty, 100,000 lb capacity welded-seal load cells

## Dimensions

Rated Capacity	C	H*	H1	H2	L	L1	L2	L3	L4	L5	W	W1	W2	W3	W4**	W5
50,000 to 100,000 (RL75223)	1.50	12.93	1.00	1.00	22.50	1.50	1.75	9.50	11.75	5.88	7.75	0.91	5.25	1.25	9.25	11.75
25,000 to 40,000 (RL75040)	1.50	9.88	1.00	1.00	18.50	1.50	1.75	7.50	11.75	5.88	7.75	0.91	5.25	1.25	9.25	11.75
50,000 to 75,000 (RL75040)	1.50	12.82	1.00	1.00	22.50	1.50	1.75	9.50	11.75	5.88	7.75	0.91	5.25	1.25	9.25	11.75

\*Custom heights available; consult



## Complete Kit Includes

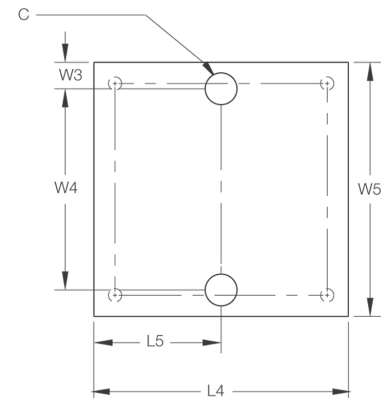
- Four, six or eight Translink mounting assemblies with NTEP Certified RL75040 or RL75223 welded-seal load cells
- One JB8SP NEMA Type 4X signal-trim junction box with individual and section trimming capability (six- and eight-mount kits) or one JB4SP NEMA Type 4X signal-trim junction box (four-mount kits)
- One UJB3T6 DC transient protector
- 100 ft of hostile environment EL147HE SURVIVOR® load cell cable

## Standard Features

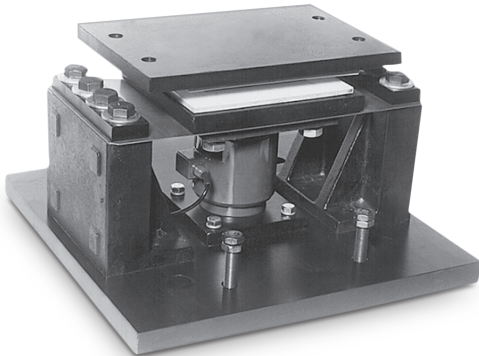
- Capacity (per module): 25,000 to 100,000 lb
- Cost and time efficient installation; no need to remove weighbridge
- Converts existing scale capacities of 40,000 to 300,000 lb
- Four, six or eight-mount kits for two, three or four section conversions
- Translink™ heavy-capacity mounting assemblies
- Free movement in all directions in the horizontal plane with virtually no friction
- Completely self-centering
- Requires no check rods
- Compatible with VPG® Sensortronics® 65040A or VPG® Revere 5223 load cells

## Applications

- Updating existing mechanical motor truck scales
- Replacing unsatisfactory electronic motor truck scales
- Conversion of heavy-capacity scales into fully electronic vehicle scales where the existing scale cannot be removed







Mount only; does not include load cell.  
Picture is a representation of actual product.

### Standard Features

- Capacities (per module): 50,000 lb, 100,000 lb and 200,000 lb
- Protects load cell from shock and side loads
- Low-profile design
- High-strength load bearing plate made of highgrade carbon steel hardened to Rockwell C 48-54
- PTFE coated shock absorbing pads
- Compatible with VPG® Revere CP and CSP and Rice Lake Weighing Systems RLCSP1 NTEP Certified load cells

### Applications

- Truck scale mount\*
- Heavy-capacity horizontal tanks\*
- Railroad track mount\*

\*Check rods required

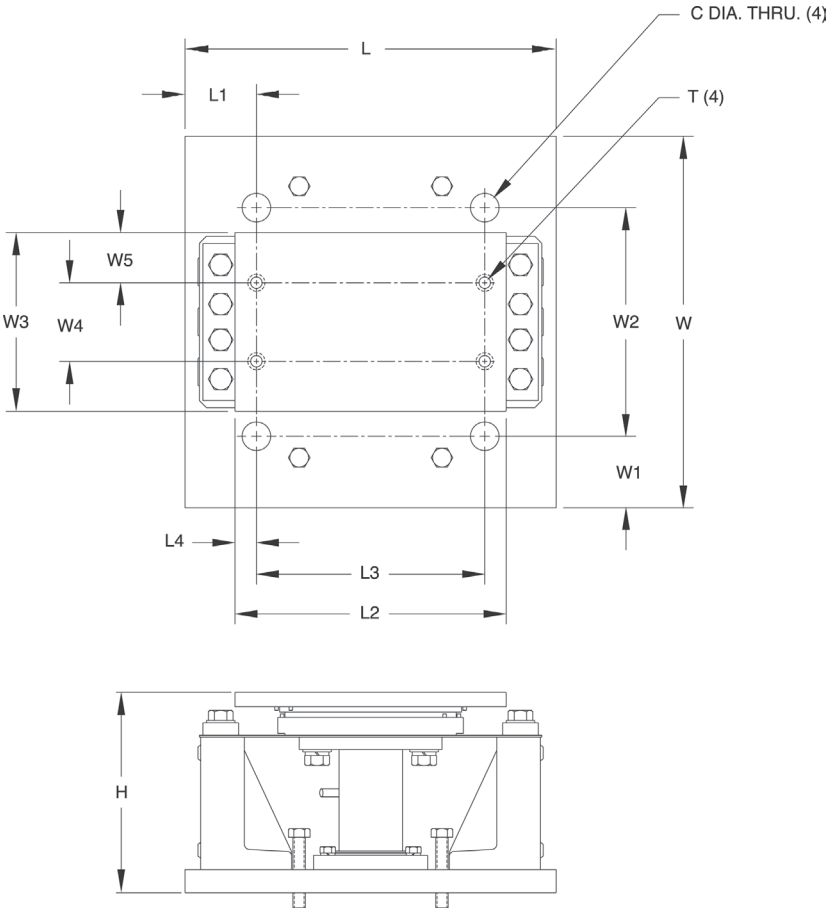
### Order Information

Load Rating (Per Module)	Part #	Price
50,000 lb	21723	\$2,225.00
100,000 lb	21724	\$2,650.00
200,000 lb	17974	\$4,595.00

Mount only; does not include load cell

### Dimensions

Rated Capacity	C	H	L	L1	L2	L3	L4	T	W	W1	W2	W3	W4	W5
50,000	1.25	7.39	13.00	1.75	11.25	8.50	1.37	3/4-10 UNC	12.00	1.75	8.50	8.00	4.50	1.75
100,000	1.50	11.29	20.00	2.25	18.00	15.50	1.25	7/8-9 UNC	17.00	2.50	12.00	9.00	5.50	1.75
200,000	2.00	14.10	26.00	5.00	19.00	16.00	1.50	1-8 UNC	26.00	5.00	16.00	12.50	5.50	3.50



# Mettler Toledo® DigiTOL® Retrofit Kit

Stainless Steel, Rice Lake Weighing Systems/Flintec

LOAD CELLS /  
WEIGH MODULES

## RC1 Load Cells



Shown here with the JB8SP signal trim junction box.  
Picture is a representation of actual product.

### Load Cell Approvals



### DigiTOL Retrofit Order information

Description	Part #	Price
8 mount kit, RC1-25 t (250kN) load cells, JB8SP junction box	<b>78713</b>	\$9,485.00
8 mount kit, RC1-25 t (250 kN) load cells, JB8SPT junction box	<b>224897</b>	\$9,895.00
10 mount kit, RC1-25t (250 kN) load cells, two JB8SP junction boxes	<b>78714</b>	\$11,535.00
10 mount kit RC1-25 t (250 kN) load cells, JB8SPT junction box	<b>224898</b>	\$12,225.00
12 mount kit, RC1-25 t (250kN) load cells, JB8SP junction box	<b>152774</b>	\$14,225.00
12 mount kit RC1-25 t (250 kN) load cells, JB8SPT junction box	<b>224899</b>	\$14,900.00

### Complete Kit Includes

- Eight, ten or twelve Flintec® NTEP Certified stainless steel, hermetically sealed rocker column load cells
- Upper and lower cups
- Grounding straps
- NEMA Type 4X signal trim junction boxes with transient protection
- 100 ft of hostile environment EL147HE SURVIVOR® load cell cable

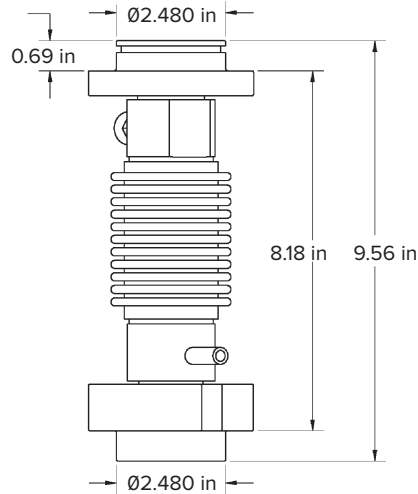
### Standard Features

- Load cells are NTEP Certified 1:10,000 divisions, Class III<sup>\*</sup>
- Converts existing Mettler Toledo DigiTOL scale to an analog based load cell weighing system
- One-year limited warranty

*\*Consult your local Weights & Measures Authorities for local Legal for Trade requirements*

### Applications

- Mettler Toledo DigiTOL truck scale conversion



RC1-25 t

# Mettler Toledo® DigiTOL® Retrofit Kit

Stainless Steel, Rice Lake Weighing Systems/Flintec

LOAD CELLS /  
WEIGH MODULES

## RC3 Load Cells



Shown here with the JB8SP signal trim junction box  
Picture is a representation of actual product

### Load Cell Approvals



## DigiTOL Retrofit Order information

Description	Part #	Price
8 mount kit RC3-50 t load cells, two EL304A junction boxes (truck/truck combo)	<b>129844</b>	\$12,995.00
8 mount kit RC3-50 t load cells, two EL304A junction boxes (truck only)	<b>154347</b>	\$12,995.00
8 mount kit RC3-50 t load cells, one JB8SPT junction boxes (truck/truck combo)	<b>224900</b>	\$13,200.00
8 mount kit RC3-50 t load cells, one JB8SPT junction boxes (truck only)	<b>224901</b>	\$13,200.00
10 mount kit RC3-50 t load cells, two JB8SP junction boxes (truck/truck combo)	<b>111367</b>	\$16,100.00
10 mount kit RC3-50 t load cells, three EL304A junction boxes (truck only)	<b>154348</b>	\$16,100.00
10 mount kit RC3-50 t load cells, two JB8SPT junction boxes (truck/truck combo)	<b>224902</b>	\$16,750.00
10 mount kit RC3-50 t load cells, two JB8SPT junction boxes (truck only)	<b>224903</b>	\$16,750.00
12 mount kit RC3-50 t load cells, three EL304A junction boxes (truck only)	<b>154349</b>	\$19,295.00
12 mount kit RC3-50 t load cells, two JB8SPT junction boxes (truck only)	<b>224904</b>	\$19,900.00

## Complete Kit Includes

- Eight, ten or twelve Flintec® NTEP Certified stainless steel, hermetically sealed rocker column load cells
- Upper and lowers cups
- Grounding straps
- NEMA Type 4X signal trim junction boxes with transient protection
- 100 ft of hostile environment EL147HE SURVIVOR® load cell cable

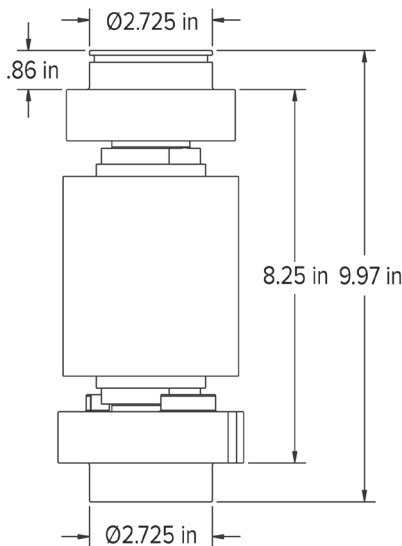
## Standard Features

- Load cells are NTEP Certified 1:10,000 divisions, Class III\*
- Converts existing Mettler Toledo DigiTOL scale to an analog based load cell weighing system
- One-year limited warranty

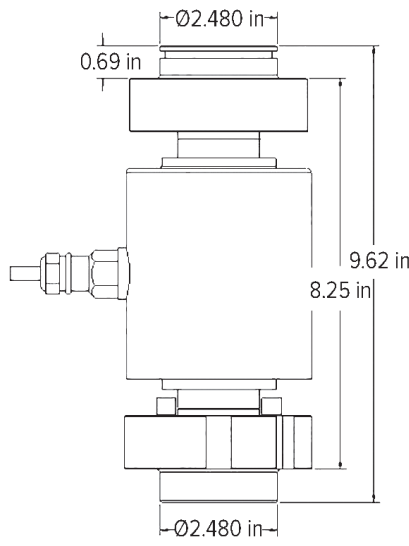
\*Consult your local Weights & Measures Authorities for local Legal for Trade requirements

## Applications

- Mettler Toledo DigiTOL truck scale conversion



RC3-50 t  
TRACK



RC3-50 t  
TRUCK

# Rice Lake Analog Retrofit Kit

Stainless Steel, Analog Load Cells for B-Tek Digital Conversion to Analog

LOAD CELLS /  
WEIGH MODULES

## RL82021-40t Load Cells



Shown here with the EL304A signal trim junction box. Picture is a representation of actual product.

### Load Cell Approvals



### Complete Kit Includes

- Eight or ten Rice Lake NTEP Certified stainless steel, hermetically sealed, rocker column load cells
- Upper and lower cups
- Grounding Straps
- NEMA Type 4X signal trim junction boxes with transient protection
- 100 ft of hostile environment EL147HE SURVIVOR® load cell cable

### Standard Features

- Load cells are NTEP Certified 1:10,000 divisions, Class III<sup>\*</sup>
- Converts B-TEK digital CPD-M scales to analog
- Load cells have built-in surge protection and rated to IP69K
- Stainless steel overbraided cable
- Two-year limited warranty

*\*Consult your local Weights & Measures Authorities for local Legal for Trade requirements*

### Applications

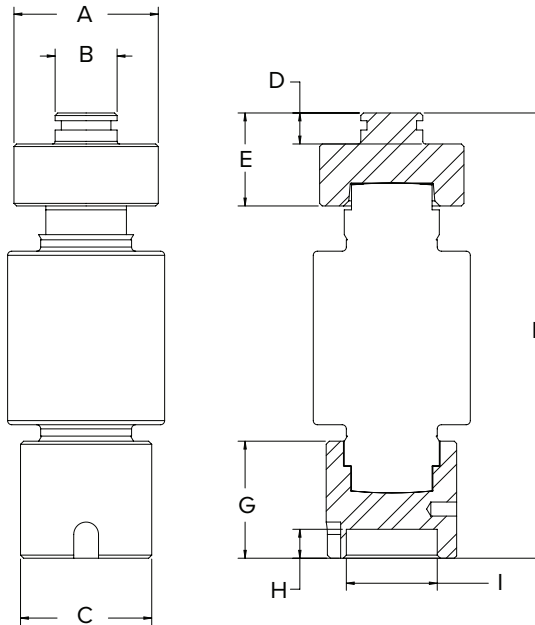
- B-TEK digital truck scale conversion

### Digital Retrofit Order information

Description	Part #	Price
8 mount kit RL82021-40 t load cells, two EL304A junction boxes	<b>216423</b>	\$7,795.00
10 mount kit RL82021-40 t load cells, three EL304A junction boxes	<b>216424</b>	\$9,875.00

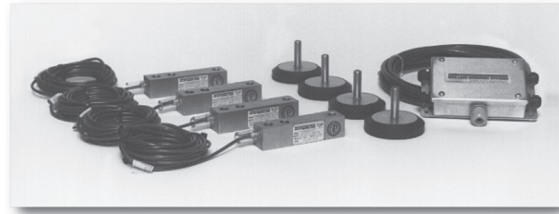
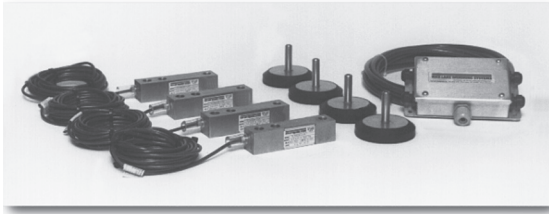
### Dimensions

Analog Load Cells	
A	Ø2.75 in (70 mm)
B	Ø1.18 in (30 mm)
C	Ø2.50 in (64 mm)
D	0.59 in (15 mm)
E	1.77 in (45 mm)
F	8.48 in (215 mm)
G	2.23 in (57 mm)
H	0.55 in (14 mm)
I	Ø1.73 in (44 mm)



# Electronic Floor Scale Underdeck Kits

LOAD CELLS / WEIGH MODULES



Underdeck kits are provided to meet the application needs of the electronic floor scale producer and are an easy source for rebuilding existing floor scales. Underdeck kits are provided with mounting plates and load cell bolts for easy installation.

## Economical Kit

### Kit Includes

- (4) VPG® Celtron SQB alloy steel NTEP Certified 5,000 d, Class III load cells
- (1) JB4SS stainless steel NEMA Type 4X junction box
- (4) SureFoot® high-accuracy stainless steel support feet
- 20 ft EL147HE load cell cable
- (4) mounting plates and (8) load cell bolts

### Order Information

Scale Base Capacity	Part #	Price
1,000 lb for 2,000 lb base	<b>26436</b>	\$980.00
2,500 lb for 5,000 lb base	<b>26437</b>	\$980.00
4,000 lb for 10,000 lb base	<b>26438</b>	\$980.00

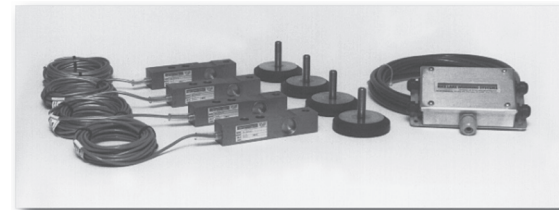
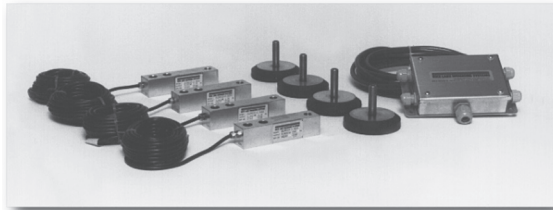
## Chemical, Dry Corrosive & Non-Washdown Applications Kit

### Kit Includes

- (4) VPG® Celtron SQB-HSS stainless steel NTEP Certified 5,000 d, Class III load cells
- (1) JB4SS stainless steel NEMA Type 4X junction box
- (4) SureFoot® high-accuracy stainless steel support feet
- 20 ft EL147HE load cell cable
- (4) mounting plates and (8) load cell bolts

### Order Information

Scale Base Capacity	Part #	Price
1,000 lb for 2,000 lb base	<b>19035</b>	\$1,378.00
2,500 lb for 5,000 lb base	<b>19036</b>	\$1,378.00
4,000 lb for 10,000 lb base	<b>19037</b>	\$1,378.00



## Standard Precision Applications Kit

### Kit Includes

- (4) Rice Lake RL32018 alloy steel NTEP Certified 5,000 d, Class III load cells
- (1) JB4SS stainless steel NEMA Type 4X junction box
- (4) SureFoot high-accuracy stainless steel support feet
- 20 ft EL147HE load cell cable
- (4) mounting plates and (8) load cell bolts

NOTES: The use of NTEP Certified load cells in a scale base does not constitute approval of the completed base. Consult with local or state jurisdiction for compliance requirements.

### Order Information

Scale Base Capacity	Part #	Price
1,000 lb for 2,000 lb base	<b>19032</b>	\$1,060.00
2,500 lb for 5,000 lb base	<b>19033</b>	\$1,060.00
4,000 lb for 10,000 lb base	<b>19034</b>	\$1,060.00

## Wet Applications Kit

### Kit Includes

- (4) Rice Lake RL32018S-HE welded-seal stainless steel NTEP Certified 5,000 d, Class III load cells
- (1) JB4SS stainless steel NEMA Type 4X junction box
- (4) SureFoot® high-accuracy stainless steel support feet
- 20 ft EL147HE load cell cable
- (4) mounting plates and (8) load cell bolts

### Order Information

Scale Base Capacity	Part #	Price
1,000 lb for 2,000 lb base	<b>19038</b>	\$1,706.00
2,500 lb for 5,000 lb base	<b>19039</b>	\$1,706.00
4,000 lb for 10,000 lb base	<b>19040</b>	\$1,706.00

# RL20000I

Alloy Steel, Environmentally Sealed, NTEP Certified 1:5,000 III/1:10,000 IIIL, IP67

LOAD CELLS / WEIGH MODULES



Picture is a representation of actual product.

**Approvals**



**Order Information**

Load Rating	Part #	Est. Weight	Price
25 lb	21428	2 lb	\$290.00
50 lb	21429	2 lb	\$290.00
75 lb	21430	2 lb	\$290.00
100 lb	21431	2 lb	\$290.00
150 lb	21432	2 lb	\$290.00
200 lb	21433	2 lb	\$290.00
250 lb	21434	2 lb	\$290.00
300 lb	21435	2 lb	\$290.00
500 lb	21436	2 lb	\$290.00
750 lb	21437	2 lb	\$290.00
1,000 lb	21438	2 lb	\$290.00
1,500 lb	21439	2 lb	\$290.00
2,000 lb***	21356	2 lb	\$358.00
2,000 lb	21440	2 lb	\$290.00
2,500 lb	21441	2 lb	\$290.00
3,000 lb	21442	4 lb	\$334.00
5,000 lb***	17044	4 lb	\$505.00
5,000 lb	21443	4 lb	\$466.00
10,000 lb	21444	4 lb	\$466.00
15,000 lb	21445	7 lb	\$588.00
20,000 lb***	17045	17 lb	\$993.00
20,000 lb	21446	17 lb	\$927.00
<b>Conduit Adapter Kit* (must be factory installed to maintain warranty)</b>			
3/8-24 nipple	31533*	1 lb	\$37.00
3/8-24 to 1/4-18 NPT	31534*	1 lb	\$37.00
<b>Replacement Agriculture Scale Load Cell - 40 ft Cable</b>			
10,000 lb	151746	5 lb	\$493.00

\*PN 31533 and PN 31534 must be installed together to form the Conduit Adapter Kit  
 \*\*\*These load cells have 30ft or 35ft of cable and trimmed outputs and are used in many batch plants

**Dimensions**

Rated Capacity	A	B	C	D	E
lb/in					
25 to 300	1/4-28 UNF	0.75	0.50	2.00	2.50
500 to 1,500	1/2-20 UNF	1.00	0.75	2.00	2.50
2,000 to 2,500	1/2-20 UNF	1.25	1.00	2.00	2.50
3,000	1/2-20 UNF	1.25	1.00	3.00	4.00
5,000 to 10,000	3/4-16 UNF	1.25	1.00	3.00	4.00
15,000	1-12 UNF	1.50	1.25	4.00	5.50
20,000	1 1/4-12 UNF	2.25	2.00	5.00	7.00

**Interchangeable Products**

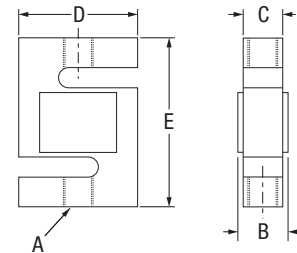
ARTECH®  
**20210 (1-14 UNF)** (15,000 lb thread is 1-12 UNF for Rice Lake model)

**Weigh Module Available**

RICE LAKE WEIGHING SYSTEMS  
**ITCM Isolated Tension Cell Mount**

**Specifications**

- Full Scale Output:** 3.0 mV/V
- Output Resistance:** 350 (± 3) ohm
- Input Resistance:** 385 (± 5) ohm
- Material/Finish:** High-alloy steel, nickel plated
- Temperature:** Compensated: 14 °F to 104 °F (-10 °C to 40 °C)  
Operating: 0 °F to 150 °F (-18 °C to 65 °C)
- Seal Type:** Environmentally sealed, IP67
- Safe Overload:** 150% full scale
- Rated Excitation:** 5 to 10 VDC (15 V maximum)
- Combined Error:** 0.02% full scale
- Insulation Resistance:** 5,000 megohm
- Cable Length:** 20 ft  
30 ft (pn 17044 and 17045)  
35 ft (pn 21356)
- Cable Diameter:** 0.200 in  
Polyurethane jacket
- Cable Color Code:** Red +Excitation  
Black -Excitation  
Green +Signal  
White -Signal
- Warranty:** Two-year limited
- Approvals:** NTEP 90-158  
cFMus



Stainless Steel, Environmentally Sealed, NTEP Certified 1:10,000 Class III L Single Cell, IP67

LOAD CELLS / WEIGH MODULES



Picture is a representation of actual product.

Approvals



Order Information

Load Rating	Part #	Est. Weight	Price
<b>NTEP Certified</b>			
100 lb	46511	2 lb	\$312.00
250 lb	46503	2 lb	\$312.00
300 lb	181826	2 lb	\$312.00
500 lb	46504	2 lb	\$312.00
750 lb	46505	2 lb	\$312.00
1,000 lb	46506	2 lb	\$312.00
2,500 lb	46507	2 lb	\$312.00
3,000 lb	46508	4 lb	\$345.00
5,000 lb	46509	4 lb	\$503.00
10,000 lb	46510	4 lb	\$525.00
<b>Non-NTEP Certified</b>			
50 lb	17013	2 lb	\$312.00
15,000 lb	158375	7 lb	\$715.00
20,000 lb	158376	13 lb	\$948.00
<b>Conduit Adapter Kit* (must be factory installed to maintain warranty)</b>			
3/8-24 nipple	31533*	1 lb	\$37.00
3/8-24 to 1/4-18 NPT	31534*	1 lb	\$37.00

\* PN 31533 and PN 31534 must be installed together to form the Conduit Adapter Kit

Dimensions

Rated Capacity	A	B	C	D	E
50 to 300	1/4-28 UNF	0.65	0.46	2.00	2.40
500 to 1,000	1/2-20 UNF	0.90	0.71	2.00	2.40
2,500	1/2-20 UNF	1.15	0.96	2.00	2.40
3,000	1/2-20 UNF	1.15	0.96	3.00	3.90
5,000	3/4-16 UNF	1.15	0.96	3.00	3.90
10,000	3/4-16 UNF	1.40	1.21	3.00	3.90
15,000	1-14 UNS	1.63	1.46	3.44	5.50
20,000	1 1/4-12 UNF	1.88	1.68	4.44	7.00

Interchangeable Products

VPG® REVERE  
9363  
ARTECH®  
20210

Weigh Module Available

RICE LAKE WEIGHING SYSTEMS  
ITCM Isolated  
Tension Cell Mount

Specifications

**Full Scale Output:**  
3.0 (± 0.008) mV/V

**Output Resistance:**  
350 (± 3.5) ohm

**Input Resistance:**  
390 (± 15) ohm

**Material/Finish:**  
Stainless steel

**Temperature:**  
Compensated:  
14 °F to 104 °F (-10 °C to 40 °C)  
Operating:  
0 °F to 150 °F (-18 °C to 65 °C)

**Seal Type:**  
Environmentally sealed, IP67

**Safe Overload:**  
150% full scale

**Rated Excitation:**  
5 to 10 VDC (15 V maximum)

**Combined Error:**  
0.03% full scale

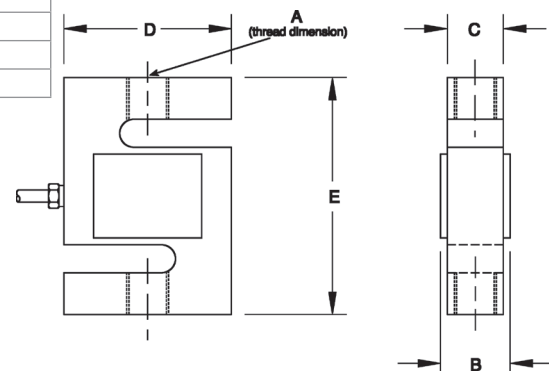
**Insulation Resistance:**  
5,000 megohm

**Cable Length:**  
20 ft

**Cable Color Code:**  
Red +Excitation  
Black -Excitation  
Green +Signal  
White -Signal

**Warranty:**  
Two-year limited

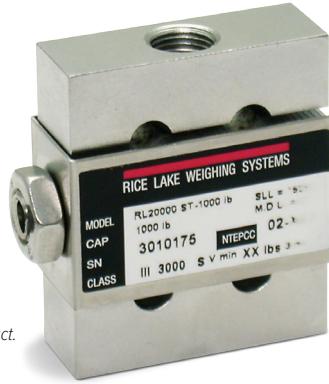
**Approvals:**  
NTEP 98-078  
cFMus



# RL2000ST

Stainless Steel, Environmentally Sealed, NTEP Certified 1:10,000 Class III Single Cell, IP67

LOAD CELLS /  
WEIGH MODULES



Picture is a representation of actual product.

### Approvals



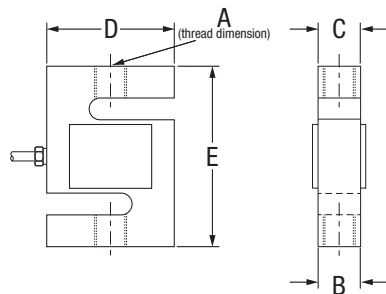
### Order Information

Load Rating	Part #	Est. Weight	Price
50 lb	72741	2 lb	\$334.00
100 lb	72742	2 lb	\$334.00
200 lb	72743	2 lb	\$334.00
250 lb	72744	2 lb	\$334.00
300 lb	72745	2 lb	\$334.00
500 lb	72746	2 lb	\$334.00
750 lb	72747	2 lb	\$334.00
1,000 lb	72748	2 lb	\$334.00
1,500 lb	72749	2 lb	\$334.00
2,000 lb	72750	2 lb	\$334.00
2,500 lb	72751	2 lb	\$334.00
3,000 lb	72752	4 lb	\$440.00
5,000 lb	72753	4 lb	\$545.00
<b>Conduit Adapter Kit* (must be factory installed to maintain warranty)</b>			
3/8-24 nipple	31533*	1 lb	\$37.00
3/8-24 to 1/4-18 NPT	31534*	1 lb	\$37.00

\*PN 31533 and PN 31534 must be installed together to form the Conduit Adapter Kit.

### Dimensions

Rated Capacity	A	B	C	D	E
lb/in					
50 to 300	1/4-28 UNF	0.65	0.46	2.00	2.40
500 to 1,000	1/2-20 UNF	0.90	0.71	2.00	2.40
1,500 to 2,500	1/2-20 UNF	1.15	0.96	2.00	2.40
3,000	1/2-20 UNF	1.15	0.96	3.00	3.90
5,000	3/4-16 UNF	1.15	0.96	3.00	3.90



### Specifications

- Full Scale Output:** 3.0 mV/V
- Output Resistance:** 350 (± 3.5) ohm
- Input Resistance:** 430 (± 60) ohm
- Material/Finish:** Stainless steel
- Temperature:** Compensated: 14 °F to 104 °F (-10 °C to 40 °C)  
Operating: 0 °F to 150 °F (-18 °C to 65 °C)
- Seal Type:** Environmentally sealed, IP67
- Safe Overload:** 150% full scale
- Rated Excitation:** 5 to 10 VDC (15 V maximum)
- Combined Error:** 0.03% full scale
- Insulation Resistance:** 5,000 megohm
- Cable Length:** 20 ft
- Cable Diameter:** 0.190 in  
Polyurethane jacket
- Cable Color Code:** Red +Excitation  
Black -Excitation  
Green +Signal  
White -Signal
- Warranty:** Two-year limited
- Approvals:** NTEP 03-007  
FM





Picture is a representation of actual product.

**Approvals**



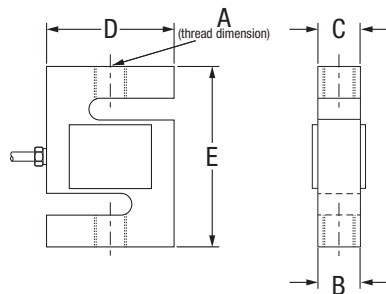
**Order Information**

Load Rating	Part #	Est. Weight	Price
250 lb	21402	2 lb	\$290.00
500 lb	21403	2 lb	\$290.00
750 lb	21404	2 lb	\$290.00
1,000 lb	21405	2 lb	\$290.00
1,500 lb	21406	2 lb	\$290.00
2,000 lb	21407	3 lb	\$290.00
2,500 lb	21408	4 lb	\$290.00
3,000 lb	21409	3 lb	\$334.00
5,000 lb	21410	4 lb	\$466.00
10,000 lb	21411	5 lb	\$466.00
15,000 lb	21412	7 lb	\$588.00
20,000 lb	21413	16 lb	\$927.00
<b>Conduit Adapter Kit* (must be factory installed to maintain warranty)</b>			
3/8-24 nipple	31533*	1 lb	\$37.00
3/8-24 to 1/4-18 NPT	31534*	1 lb	\$37.00

\*PN 31533 and PN 31534 must be installed together to form the Conduit Adapter Kit

**Dimensions**

Rated Capacity	A	B	C	D	E
lb/in					
250	3/8-24 UNF	0.75	0.50	2.00	3.00
500 to 2,000	1/2-20 UNF	1.00	0.75	2.00	3.00
2,500 to 3,000	1/2-20 UNF	1.25	1.00	2.00	3.00
5,000	3/4-16 UNF	1.25	1.00	3.00	4.25
10,000	3/4-16 UNF	1.25	1.00	3.50	4.75
15,000	1-14 UNS	1.50	1.25	4.00	5.50
20,000	1 1/4-12 UNF	2.25	2.00	5.00	7.00



**Interchangeable Products**

VPG® CELTRON®  
**STC**

VPG® SENSORTRONICS®  
**60001**

**Weigh Module Available**

RICE LAKE WEIGHING SYSTEMS  
**ITCM Isolated  
Tension Cell Mount**

**Specifications**

**Full Scale Output:**  
3.0 mV/V

**Output Resistance:**  
350 (± 3) ohm

**Input Resistance:**  
385 (± 5) ohm

**Material/Finish:**  
High-alloy steel, nickel plated

**Temperature:**  
Compensated:  
14 °F to 104 °F (-10 °C to 40 °C)  
Operating:  
0 °F to 150 °F (-18 °C to 65 °C)

**Seal Type:**  
Environmentally sealed, IP67

**Safe Overload:**  
150% full scale

**Rated Excitation:**  
5 to 10 VAC (15 V maximum)

**Combined Error:**  
0.02% full scale

**Insulation Resistance:**  
5,000 megohm

**Cable Length:**  
20 ft

**Cable Diameter:**  
0.200 in  
Polyurethane jacket

**Cable Color Code:**  
Red +Excitation  
Black -Excitation  
Green +Signal  
White -Signal

**Warranty:**  
Two-year limited

**Approvals:**  
cMus  
NTEP 91-046

# RL20001HE

Stainless Steel, Welded Seal, NTEP Certified 1:5,000 Class III/1:10,000 Class IIII Single Cell, IP68

LOAD CELLS /  
WEIGH MODULES



Picture is a representation of actual product.

Approvals

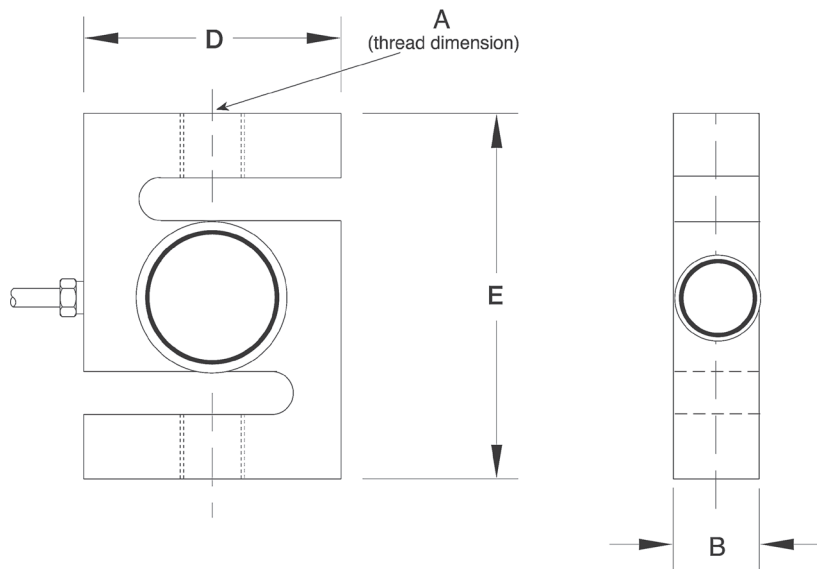


Order Information

Load Rating	Part #	Est. Weight	Price
<b>NTEP Certified</b>			
500 lb	46469	2 lb	\$900.00
750 lb	46470	2 lb	\$900.00
1,000 lb	46471	2 lb	\$900.00
1,500 lb	46472	2 lb	\$900.00
2,000 lb	46473	2 lb	\$900.00
2,500 lb	46474	2 lb	\$900.00
3,000 lb	46475	2 lb	\$900.00
5,000 lb	46476	5 lb	\$1,205.00
<b>Non-NTEP Certified</b>			
10,000 lb	36292	5 lb	\$1,205.00

Dimensions

Rated Capacity	A	B	D	E
lb/in				
500 to 3,000	1/2-20 UNF	1.00	2.00	3.00
5,000 to 10,000	3/4-16 UNF	1.00	3.50	4.75



Interchangeable Products

VPG® SENSORTRONICS®  
60063

Weigh Module Available

RICE LAKE WEIGHING SYSTEMS  
ITCM HE Isolated  
Tension Cell Mount

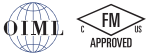
Specifications

- Full Scale Output:**  
2.0 mV/V
- Bridge Resistance:**  
350 ohm, nominal
- Material/Finish:**  
Stainless steel
- Temperature:**  
Compensated:  
14 °F to 104 °F (-10 °C to 40 °C)  
Operating:  
0 °F to 150 °F (-18 °C to 65 °C)
- Seal Type:**  
Welded-seal, IP68
- Safe Overload:**  
150% full scale
- Rated Excitation:**  
5 to 10 VDC (15 V maximum)
- Combined Error:**  
0.02% full scale
- Insulation Resistance:**  
5,000 megohm
- Cable Length:**  
20 ft
- Cable Diameter:**  
0.200 in  
Polyurethane jacket
- Cable Color Code:**  
Red +Excitation  
Black -Excitation  
Green +Signal  
White -Signal
- Warranty:**  
Two-year limited
- Approvals:**  
cFMus  
NTEP 98-071



Picture is a representation of actual product.

**Approvals**



**Order Information**

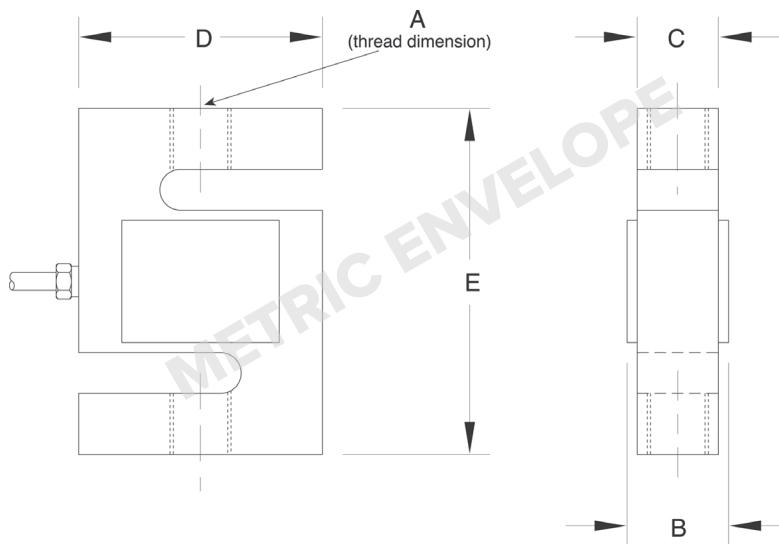
Load Rating	Part #	Est. Weight	Price
250 kg	31254	2 lb	\$312.00
500 kg	31255	2 lb	\$312.00
1,000 kg	31256	2 lb	\$312.00
2,500 kg	31257	3 lb	\$487.00

**Dimensions**

Rated Capacity	A	B	C	D	E
kg/mm					
250 to 1,000	M12 × 1.75-6H	25.4	19.1	50.8	76.0
2,500	M20 × 1.5-6H	31.8	25.4	76.2	108.0

**Specifications**

- Full Scale Output:**  
3.0 mV/V ± 0.25%
- Bridge Resistance:**  
350 ohm, nominal
- Material/Finish:**  
Alloy steel
- Temperature:**  
Operating:  
0 °F to 150 °F (-18 °C to 65 °C)
- Seal Type:**  
Environmentally sealed, IP67
- Safe Overload:**  
150% full scale
- Rated Excitation:**  
5 to 10 VAC/DC (15V maximum)
- Combined Error:**  
0.02% full scale
- Insulation Resistance:**  
5,000 megohm
- Cable Length:**  
6 m
- Cable Diameter:**  
0.200 in  
Polyurethane jacket
- Cable Color Code:**  
Red +Excitation  
Black -Excitation  
Green +Signal  
White -Signal
- Warranty:**  
Two-year limited
- Approvals:**  
cFMus  
OIML R60/1991-GB-95-09



# RL32022

Alloy Steel, Environmentally Sealed, OIML C3, IP67

LOAD CELLS /  
WEIGH MODULES



Picture is a representation of actual product.

### Approvals



### Order Information

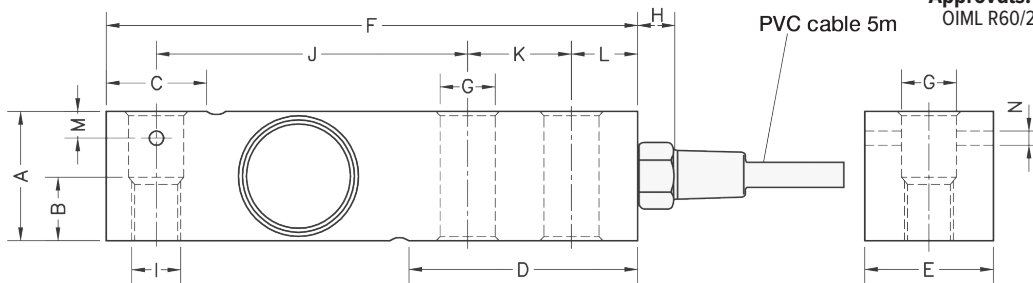
Load Rating	Part #	Est. Weight	Price
300 kg	211630	0.9 kg	\$312.00
500 kg	211631	0.9 kg	\$312.00
750 kg	211632	0.9 kg	\$312.00
1,000 kg	211633	0.9 kg	\$312.00
1,500 kg	211634	0.9 kg	\$312.00
2,000 kg	211635	0.9 kg	\$312.00

### Dimensions

Rated Capacity	A	B	C	D	E	F	G	H	I	J	K	L	M	N
kg/mm														
300 to 2,000	31.5	15.0	34.6	56.0	31.5	130.0	13.5	18.0	M12	76.2	25.4	15.8	6.5	3.5

### Specifications

- Full Scale Output:**  
2.0 mV/V ± 0.05%  
mV/V/ohm calibration
- Output Resistance:**  
350 (± 3) ohm
- Input Resistance:**  
400 (± 20) ohm
- Material/Finish:**  
Alloy steel, nickel plated
- Temperature:**  
Compensated:  
-14 °F to 104 °F (-10 °C to 40 °C)  
Operating:  
0 °F to 150 °F (-18 °C to 65 °C)
- Seal Type:**  
Environmentally sealed, IP67
- Safe Overload:**  
150% full scale
- Safe Sideload:**  
100% full scale
- Rated Excitation:**  
10 VDC (15 V maximum)
- Combined Error:**  
0.017% full scale
- Insulation Resistance:**  
> 5,000 megohm
- Deflection at Capacity:**  
0.2 to 0.4 mm
- Cable Length:**  
5 m
- Cable Color Code:**  
Green +Excitation  
Black -Excitation  
Red +Signal  
White -Signal
- Warranty:**  
Two-year limited
- Approvals:**  
OIML R60/2017-A-NL1-22.11





Picture is a representation of actual product.

**Approvals**



**Order Information**

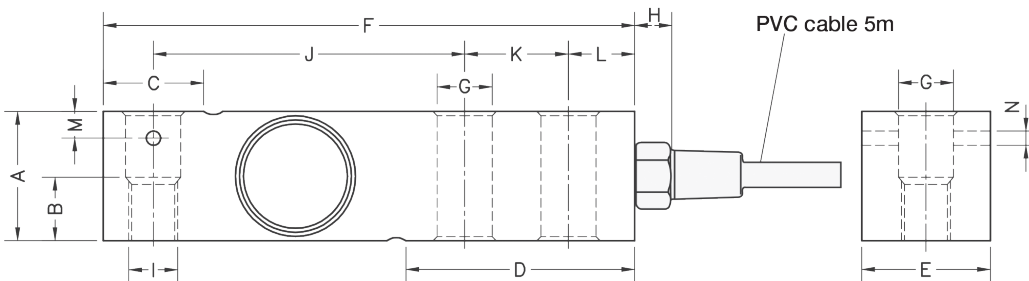
Load Rating	Part #	Est. Weight	Price
300 kg	211636	0.9 kg	\$350.00
500 kg	211637	0.9 kg	\$350.00
750 kg	211638	0.9 kg	\$350.00
1,000 kg	211639	0.9 kg	\$350.00
1,500 kg	211640	0.9 kg	\$350.00
2,000 kg	211641	0.9 kg	\$350.00
3,000 kg	211642	2.2 kg	\$445.00
5,000 kg	211643	2.2 kg	\$445.00

**Dimensions**

Rated Capacity	A	B	C	D	E	F	G	H	I	J	K	L	M	N
kg/mm														
300 to 2,000	31.5	15.0	34.6	56.0	31.5	130.0	13.5	18.0	M12	76.2	25.4	15.8	6.5	3.5
3,000 to 5,000	48.0	-	37.0	76.0	41.5	171.5	20.5	18.0	-	75.2	38.1	19.0	-	-

**Specifications**

- Full Scale Output:**  
2.0 mV/V ± 0.05%  
mV/V/ohm calibration
- Output Resistance:**  
350 (± 3) ohm
- Input Resistance:**  
400 (± 20) ohm
- Material/Finish:**  
Stainless steel
- Temperature:**  
Compensated:  
-14 °F to 104 °F (-10 °C to 40 °C)  
Operating:  
0 °F to 150 °F (-18 °C to 65 °C)
- Seal Type:**  
Hermetically sealed, IP69K
- Safe Overload:**  
150% full scale
- Safe Sideload:**  
100% full scale
- Rated Excitation:**  
10 VDC (15 V maximum)
- Combined Error:**  
0.017% full scale
- Insulation Resistance:**  
> 5,000 megohm
- Deflection at Capacity:**  
0.2 to 0.4 mm
- Cable Length:**  
5 m
- Cable Color Code:**  
Green +Excitation  
Black -Excitation  
Red +Signal  
White -Signal
- Warranty:**  
Two-year limited
- Approvals:**  
OIML



# RL32018

Alloy Steel, Environmentally Sealed, NTEP Certified 1:5,000 Class III Multiple Cell, IP66

LOAD CELLS /  
WEIGH MODULES



Picture is a representation of actual product.

### Approvals



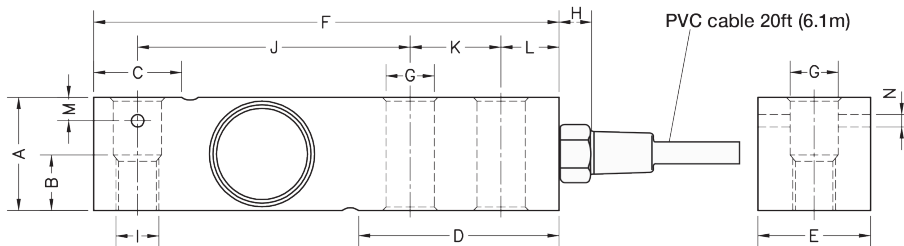
### Order Information

Load Rating	Part #	Est. Weight	Price
<b>NTEP Certified</b>			
500 lb	189151	2 lb	\$312.00
1,000 lb	189152	2 lb	\$312.00
1,500 lb	191732	2 lb	\$312.00
2,000 lb	189153	2 lb	\$312.00
2,500 lb	189154	2 lb	\$312.00
3,000 lb	189155	5 lb	\$312.00
4,000 lb	189156	5 lb	\$312.00
5,000 lb SE	189157	5 lb	\$312.00
5,000 lb LE	189158	5 lb	\$398.00
10,000 lb	189159	5 lb	\$398.00
<b>Non-NTEP Certified</b>			
250 lb	189150	2 lb	\$312.00
15,000 lb*	189160	10 lb	\$683.00
20,000 lb*	189161	10 lb	\$683.00
<b>With Overbraided Cable</b>			
2,500 lb	209166	10 lb	\$350.00
20,000 lb*	197558	10 lb	\$768.00

SE=small envelope; LE=large envelope  
\* Pending NTEP

### Dimensions

Rated Capacity	A	B	C	D	E	F	G	H	I	J	K	L	M	N
lb/in														
250 to 500	1.00	0.59	0.96	2.20	1.24	5.12	0.53	0.70	1/2-20 UNF	3.00	1.00	0.62	0.25	0.13
1,000 to 5,000 SE	1.24	0.59	0.96	2.20	1.24	5.12	0.53	0.70	1/2-20 UNF	3.00	1.00	0.62	0.25	0.13
5,000 LE to 10,000	1.50	-	1.45	2.99	1.50	6.75	0.80	0.70	3/4-16 UNF	3.75	1.50	0.75	-	-
15,000 to 20,000	2.00	-	-	4.00	2.00	8.75	1.06	-	1-14 UNS	4.90	2.00	1.00	-	-



### Interchangeable Products

VPG® SENSORTRONICS®  
**65023A**  
VPG® CELTRON®  
**SQB**

### Weigh Module Available

RICE LAKE WEIGHING SYSTEMS  
**RL50210TA**  
RICE LAKE WEIGHING SYSTEMS  
**RL1800 Series**

### Specifications

- Full Scale Output:**  
3.0 mV/V ± 0.05%  
mV/V/ohm calibration
- Output Resistance:**  
350 (± 3) ohm
- Input Resistance:**  
400 (± 20) ohm
- Material/Finish:**  
Alloy steel, nickel plated
- Temperature:**  
Compensated:  
-14 °F to 104 °F (-10 °C to 40 °C)  
Operating:  
0 °F to 150 °F (-18 °C to 65 °C)
- Seal Type:**  
Environmentally sealed, IP66
- Safe Overload:**  
150% full scale
- Safe Sideload:**  
100% full scale
- Rated Excitation:**  
10 VDC (15 V maximum)
- Combined Error:**  
0.017% full scale
- Insulation Resistance:**  
> 5,000 megohm
- Deflection at Capacity:**  
0.2 to 0.4 mm
- Cable Length:**  
20 ft
- Cable Color Code:**  
Red +Excitation  
Black -Excitation  
Green +Signal  
White -Signal
- Warranty:**  
Two-year limited
- Approvals:**  
NTEP 18-106  
cFMus FM18US0307X

SINGLE-ENDED BEAM  
**RL32018 MLC Coated**

Alloy Steel, Environmentally Sealed, NTEP Certified 1:5,000 Class III Multiple Cell, IP66



Picture is a representation of actual product.

**Approvals**



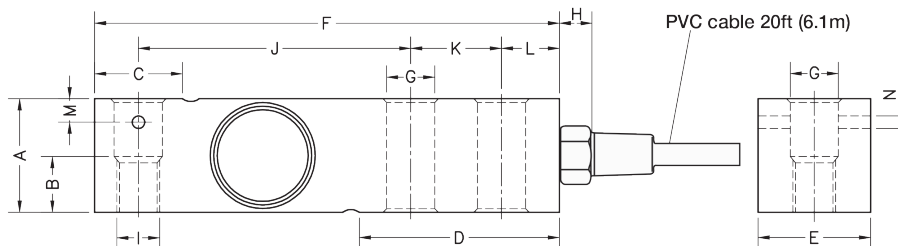
**Order Information**

Load Rating	Part #	Est. Weight	Price
<b>NTEP Certified</b>			
1,000 lb	207842	2 lb	\$344.00
1,500 lb	207843	2 lb	\$344.00
2,000 lb	207844	2 lb	\$344.00
2,500 lb	207845	2 lb	\$344.00
3,000 lb	207846	5 lb	\$344.00
4,000 lb	207847	5 lb	\$344.00
5,000 lb SE	207848	5 lb	\$344.00
5,000 lb LE	207850	5 lb	\$434.00
10,000 lb	207851	5 lb	\$434.00
<b>Non-NTEP Certified</b>			
15,000 lb	207852	10 lb	\$715.00
20,000 lb	207853	10 lb	\$715.00

SE=small envelope; LE=large envelope

**Dimensions**

Rated Capacity	A	B	C	D	E	F	G	H	I	J	K	L	M	N
1,000 to 5,000 SE	1.24	0.59	0.96	2.20	1.24	5.12	0.53	0.70	1/2-20 UNF	3.00	1.00	0.62	0.25	0.13
5,000 LE to 10,000	1.50	-	1.45	2.99	1.50	6.75	0.80	0.70	3/4-16 UNF	3.75	1.50	0.75	-	-
15,000 to 20,000	2.00	-	-	4.00	2.00	8.75	1.06	-	1-14 UNS	4.90	2.00	1.00	-	-



**Interchangeable Products**

- VPG® SENSORTRONICS®  
65023A
- VPG® CELTRON®  
SQB

**Weigh Module Available**

- RICE LAKE WEIGHING SYSTEMS  
RL50210TA
- RICE LAKE WEIGHING SYSTEMS  
RL1800 Series

**Specifications**

- Full Scale Output:**  
3.0 mV/V ± 0.05%  
mV/V/ohm calibration
- Output Resistance:**  
350 (± 3) ohm
- Input Resistance:**  
400 (± 20) ohm
- Material/Finish:**  
Alloy steel, nickel plated, coated
- Temperature:**  
Compensated:  
-14 °F to 104 °F (-10 °C to 40 °C)  
Operating:  
0 °F to 150 °F (-18 °C to 65 °C)
- Seal Type:**  
Environmentally sealed, IP66
- Safe Overload:**  
150% full scale
- Safe Sideload:**  
100% full scale
- Rated Excitation:**  
10 VDC (15 V maximum)
- Combined Error:**  
0.017% full scale
- Insulation Resistance:**  
> 5,000 megohm
- Deflection at Capacity:**  
0.2 to 0.4 mm
- Cable Length:**  
20 ft
- Cable Color Code:**  
Red +Excitation  
Black -Excitation  
Green +Signal  
White -Signal
- Warranty:**  
Two-year limited
- Approvals:**  
cFMus  
NTEP 18-106

LOAD CELLS /  
WEIGH MODULES

SINGLE-ENDED BEAM  
**RL32018S**

Stainless Steel, Environmentally Sealed, NTEP Certified 1:5,000 Class III Multiple Cell, IP66

LOAD CELLS /  
WEIGH MODULES



Picture is a representation of actual product.

Approvals



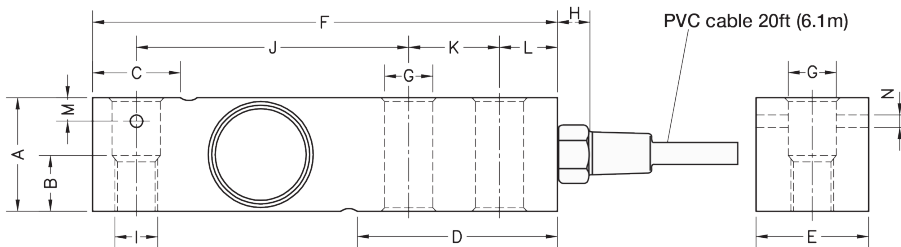
Order Information

Load Rating	Part #	Est. Weight	Price
<b>NTEP Certified</b>			
500 lb	<b>189163</b>	3 lb	\$344.00
1,000 lb	<b>189164</b>	3 lb	\$344.00
2,000 lb	<b>189165</b>	3 lb	\$344.00
2,500 lb	<b>189166</b>	3 lb	\$344.00
4,000 lb	<b>189167</b>	3 lb	\$344.00
5,000 lb SE	<b>189168</b>	3 lb	\$344.00
5,000 lb LE	<b>189169</b>	5 lb	\$440.00
10,000 lb	<b>189170</b>	5 lb	\$440.00
<b>Non-NTEP Certified</b>			
250 lb	<b>189162</b>	3 lb	\$344.00
15,000 lb*	<b>189171</b>	10 lb	\$736.00
20,000 lb*	<b>189172</b>	10 lb	\$736.00

SE=small envelope; LE=large envelope  
\*Pending NTEP

Dimensions

Rated Capacity	A	B	C	D	E	F	G	H	I	J	K	L	M	N
lb/in														
250 to 500	1.00	0.59	0.96	2.20	1.24	5.12	0.53	0.70	1/2-20 UNF	3.00	1.00	0.62	0.25	0.13
1,000 to 5,000 SE	1.24	0.59	0.96	2.20	1.24	5.12	0.53	0.70	1/2-20 UNF	3.00	1.00	0.62	0.25	0.13
5,000 LE to 10,000	1.50	-	1.45	2.99	1.50	6.75	0.80	0.70	3/4-16 UNF	3.75	1.50	0.75	-	-
15,000 to 20,000	2.00	-	-	4.00	2.00	8.75	1.06	-	1-14 UNS	4.90	2.00	1.00	-	-



Interchangeable Products

- RICE LAKE WEIGHING SYSTEMS  
**RL35023S**
- VPG® SENSORTRONICS®  
**65023S**
- VPG SENSORTRONICS  
**65023SS**
- VPG® CELTRON®  
**SQB-HSS**

Weigh Module Available

- RICE LAKE WEIGHING SYSTEMS  
**RL50210TA**
- RICE LAKE WEIGHING SYSTEMS  
**RL1800 Series**

Specifications

- Full Scale Output:**  
3.0 mV/V ± 0.05%  
mV/V/ohm calibration
- Output Resistance:**  
350 (± 3) ohm
- Input Resistance:**  
400 (± 20) ohm
- Material/Finish:**  
Stainless steel
- Temperature:**  
Compensated:  
14 °F to 104 °F (-10 °C to 40 °C)  
Operating range  
0 °F to 150 °F (-18 °C to 65 °C)
- Seal Type:**  
Environmentally sealed, IP66
- Safe Overload:**  
150% full scale
- Rated Excitation:**  
10 VDC (15 V maximum)
- Combined Error:**  
0.017% full scale
- Insulation Resistance:**  
> 5,000 megohm
- Deflection at Capacity:**  
0.2 to 0.4 mm
- Cable Length:**  
20 ft
- Cable Color Code:**  
Red +Excitation  
Black -Excitation  
Green +Signal  
White -Signal
- Warranty:**  
Two-year limited
- Approvals:**  
cFMus  
NTEP 18-106





Picture is a representation of actual product.

**Approvals**



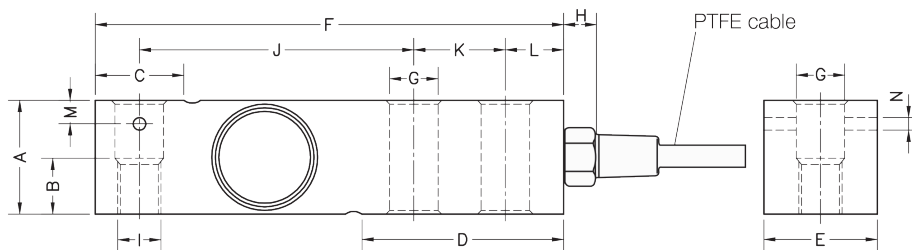
**Order Information**

Load Rating	Part #	Est. Weight	Price
1,000 lb	190654	3 lb	\$371.00
2,000 lb	190655	3 lb	\$371.00
2,500 lb	190656	3 lb	\$371.00
4,000 lb	190657	3 lb	\$371.00
5,000 lb SE	190658	3 lb	\$371.00
5,000 lb LE	190659	5 lb	\$418.00
10,000 lb	190660	5 lb	\$418.00

SE=small envelope; LE=large envelope

**Dimensions**

Rated Capacity	A	B	C	D	E	F	G	H	I	J	K	L	M	N
lb/in														
1,000 to 5,000 SE	1.24	0.59	0.96	2.20	1.25	5.12	0.53	0.70	1/2-20 UNF	3.00	1.00	0.62	0.25	0.13
5,000 LE to 10,000	1.50	—	1.45	2.99	1.50	6.75	0.80	0.70	3/4-16 UNF	3.75	1.50	0.75	—	—



**Interchangeable Products**

- RICE LAKE WEIGHING SYSTEMS
- RL32018S-HE**
- VPG® SENSORTRONICS®
- 65083**
- VPG® CELTRON®
- SQB-HSS**

**Weigh Module Available**

- RICE LAKE WEIGHING SYSTEMS
- RL1800 Series**

**Specifications**

- Full Scale Output:**  
3.0 mV/V ± 0.05%  
mV/V/ohm calibration
- Output Resistance:**  
350 (± 3) ohm
- Input Resistance:**  
400 (± 20) ohm
- Material/Finish:**  
Stainless steel
- Temperature:**  
Compensated:  
-14 °F to 104 °F (-10 °C to 40 °C)  
Operating:  
0 °F to 150 °F (-18 °C to 65 °C)
- Seal Type:**  
Hermetically sealed, IP69K
- Safe Overload:**  
150% full scale
- Safe Sideload:**  
100% full scale
- Rated Excitation:**  
10 VDC (15 V maximum)
- Combined Error:**  
0.017% full scale
- Insulation Resistance:**  
> 5,000 megohm
- Deflection at Capacity:**  
0.2 to 0.4 mm
- Cable Length:**  
20 ft PTFE cable
- Cable Color Code:**  
Red +Excitation  
Black -Excitation  
Green +Signal  
White -Signal
- Warranty:**  
Two-year limited
- Approvals:**  
cFMus

# RL32018S-HE

Stainless Steel, Hermetically Sealed, NTEP Certified 1:5,000 Class III Multiple Cell, IP69K

LOAD CELLS / WEIGH MODULES



Picture is a representation of actual product.

### Approvals



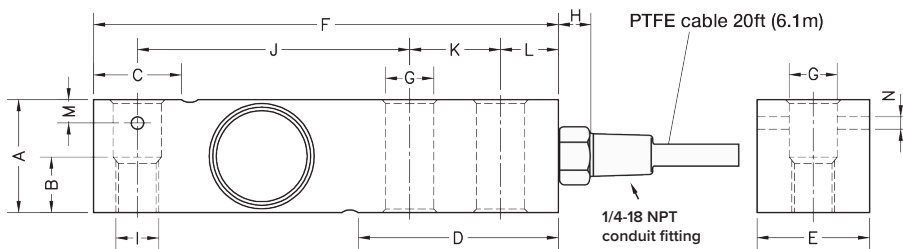
### Order Information

Load Rating	Part #	Est. Weight	Price
500 lb	189175	3 lb	\$429.00
1,000 lb	189176	3 lb	\$429.00
2,000 lb	189178	3 lb	\$429.00
2,500 lb	189179	3 lb	\$429.00
4,000 lb	189181	3 lb	\$429.00
5,000 lb SE	208667	3 lb	\$429.00
5,000 lb LE	189182	5 lb	\$477.00
10,000 lb	189183	5 lb	\$477.00

SE=small envelope; LE=large envelope

### Dimensions

Rated Capacity	A	B	C	D	E	F	G	H	I	J	K	L	M	N
lb/in														
500 to 5,000 SE	1.24	0.59	0.96	2.20	1.24	5.12	0.53	0.70	1/2-20 UNF	3.00	1.00	0.62	0.25	0.13
5,000 to 10,000	1.50	0.75	1.45	2.99	1.50	6.75	0.80	0.70	3/4-16 UNF	3.75	1.50	0.75	-	-



### Interchangeable Products

RICE LAKE WEIGHING SYSTEMS  
**RL32018S-P** (non-NTEP)  
 VPG® SENSORTRONICS®  
**65083**  
 VPG® CELTRON®  
**SQB-HSS**

### Weigh Module Available

RICE LAKE WEIGHING SYSTEMS  
**RL1800 Series**

### Specifications

- Full Scale Output:**  
3.0 mV/V ± 0.05%  
mV/V/ohm calibration
- Output Resistance:**  
350 (± 3) ohm
- Input Resistance:**  
400 (± 20) ohm
- Material/Finish:**  
Stainless steel
- Temperature:**  
Compensated:  
14 °F to 104 °F (-10 °C to 40 °C)  
Operating:  
0 °F to 200 °F (-18 °C to 93 °C)
- Seal Type:**  
Hermetically sealed, IP69K
- Safe Overload:**  
150% full scale
- Safe Sideload:**  
100% full scale
- Rated Excitation:**  
5 to 10 VDC (15 V maximum)
- Combined Error:**  
0.017% full scale
- Insulation Resistance:**  
> 5,000 megohm
- Cable Length:**  
20 ft PTFE cable
- Cable Color Code:**  
Red +Excitation  
Black -Excitation  
Green +Signal  
White -Signal
- Warranty:**  
Two-year limited
- Approvals:**  
cFMus  
NTEP 18-106

SINGLE-ENDED BEAM  
**RL32019S-HE**

Stainless Steel, Hermetically Sealed, NTEP Certified 1:5,000 Class III Multiple Cell, IP69K



Picture is a representation of actual product.

**Approvals**



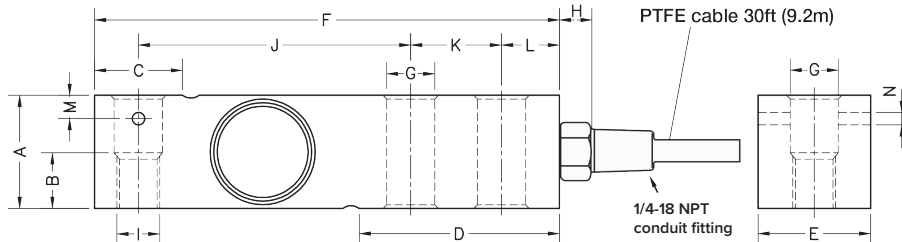
**Order Information**

Load Rating	Part #	Est. Weight	Price
1,000 lb	191629	4 lb	\$482.00
2,500 lb	191630	4 lb	\$482.00
4,000 lb	191631	4 lb	\$482.00
5,000 lb SE	208668	4 lb	\$482.00
5,000 lb LE	191632	6 lb	\$535.00
10,000 lb	191633	6 lb	\$535.00

SE=small envelope; LE=large envelope

**Dimensions**

Rated Capacity lb/in	A	B	C	D	E	F	G	H	I	J	K	L	M	N
1,000 to 5,000 SE	1.24	0.59	0.96	2.20	1.24	5.12	0.53	0.70	1/2-20 UNF	3.00	1.00	0.62	0.25	0.13
5,000 LE to 10,000	1.50	0.75	1.45	2.99	1.50	6.75	0.80	0.70	3/4-16 UNF	3.75	1.50	0.75	—	—



**Interchangeable Products**

RICE LAKE WEIGHING SYSTEMS  
**RL35082**  
 VPG® SENSORTRONICS®  
**65083S** (20 ft cable)

**Specifications**

**Full Scale Output:**

2.0 mV/V ± 0.05%  
 mV/V/ohm calibration

**Output Resistance:**

350 (± 3) ohm

**Input Resistance:**

400 (± 20) ohm

**Material/Finish:**

Stainless steel

**Temperature:**

Compensated:  
 14 °F to 104 °F (-10 °C to 40 °C)  
 Operating:  
 0 °F to 200 °F (-18 °C to 93 °C)

**Seal Type:**

Hermetically sealed, IP69K

**Safe Overload:**

150% full scale

**Rated Excitation:**

5 to 10 VDC (15 V maximum)

**Combined Error:**

0.017% full scale

**Insulation Resistance:**

> 5,000 megohm

**Deflection at Capacity:**

0.2 to 0.4 mm

**Cable Length:**

30 ft PTFE cable

**Cable Color Code:**

Red +Excitation  
 Black -Excitation  
 Green +Signal  
 White -Signal

**Warranty:**

Two-year limited

**Approvals:**

cFMus  
 NTEP 18-106

LOAD CELLS /  
 WEIGH MODULES

# RL32218S-HE

Stainless Steel, Hermetically Sealed, NTEP Certified 1:5,000 Class III Multiple Cell, IP69K

LOAD CELLS /  
WEIGH MODULES



Picture is a representation of actual product.

### Approvals



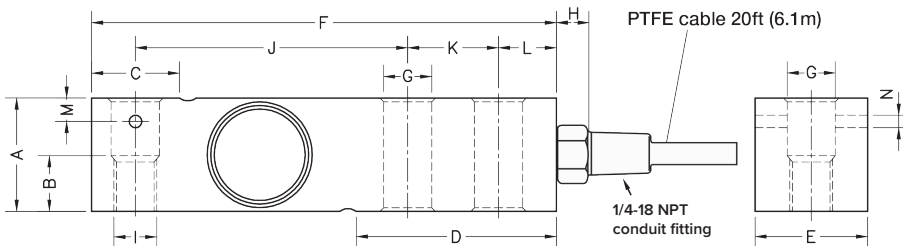
### Order Information

Load Rating	Part #	Est. Weight	Price
<b>RL32218S-HE PTFE Cable</b>			
1,000 lb	191634	3 lb	\$429.00
2,500 lb	191635	3 lb	\$429.00
4,000 lb	191636	3 lb	\$429.00
5,000 lb SE	208669	3 lb	\$429.00
5,000 lb LE	191637	5 lb	\$477.00
10,000 lb	191638	5 lb	\$477.00
<b>RL32218S-HE Rodent Protection Cable</b>			
1,000 lb	223599	3 lb	\$405.00
2,500 lb	209620	3 lb	\$405.00
4,000 lb	223600	3 lb	\$405.00
5,000 lb SE	223601	3 lb	\$525.00

SE=small envelope; LE=large envelope

### Dimensions

Rated Capacity	A	B	C	D	E	F	G	H	I	J	K	L	M	N
lb/in														
1,000 to 5,000 SE	1.24	0.59	0.96	2.20	1.24	5.12	0.53	0.70	1/2-20 UNF	3.00	1.00	0.62	0.25	0.13
5,000 LE to 10,000	1.50	0.75	1.45	2.99	1.50	6.75	0.80	0.70	3/4-16 UNF	3.75	1.50	0.75	-	-



### Interchangeable Products

RICE LAKE WEIGHING SYSTEMS

**RL35082**

RICE LAKE WEIGHING SYSTEMS

**RL32019S-HE**

VPG® SENSORTRONICS®

**65083S**

### Weigh Module Available

RICE LAKE WEIGHING SYSTEMS

**RL50210TA**

RICE LAKE WEIGHING SYSTEMS

**RL1800 Series**

### Specifications

#### Full Scale Output:

2.0 mV/V ± 0.05%  
mV/V/ohm calibration

#### Output Resistance:

350 (± 3) ohm

#### Input Resistance:

400 (± 20) ohm

#### Material/Finish:

Stainless steel

#### Temperature:

Compensated:  
14 °F to 104 °F (-10 °C to 40 °C)

Operating:  
0 °F to 200 °F (-18 °C to 93 °C)

#### Seal Type:

Hermetically sealed, IP69K

#### Safe Overload:

150% full scale

#### Rated Excitation:

5 to 10 VDC (15 V maximum)

#### Combined Error:

0.017% full scale

#### Insulation Resistance:

> 5,000 megohm

#### Cable Length:

20 ft PTFE cable  
30 ft RP

#### Cable Color Code:

Red +Excitation  
Black -Excitation  
Green +Signal  
White -Signal

#### Warranty:

Two-year limited

#### Approvals:

cFMus  
NTEP 18-106



Picture is a representation of actual product.

**Approvals**

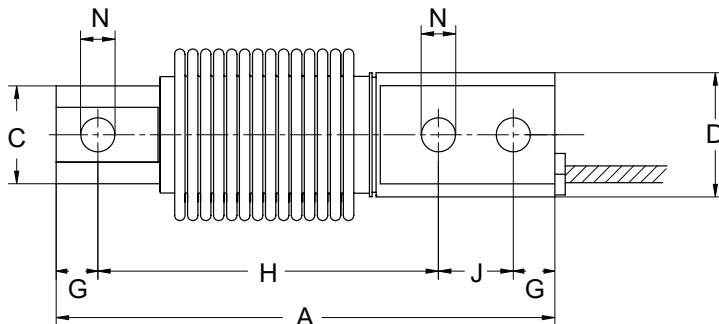
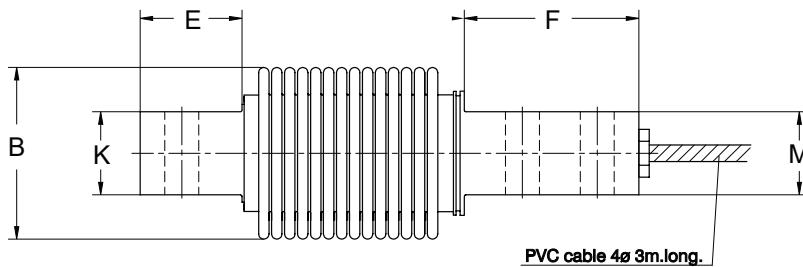


**Order Information**

Load Rating	Part #	Est. Weight	Price
<b>NTEP Certified</b>			
5 kg	<b>188691</b>	2 lb	\$524.00
10 kg	<b>188692</b>	2 lb	\$524.00
20 kg	<b>188693</b>	2 lb	\$524.00
30 kg	<b>188694</b>	2 lb	\$524.00
50 kg	<b>188702</b>	2 lb	\$524.00
75 kg	<b>188695</b>	2 lb	\$524.00
100 kg	<b>188696</b>	2 lb	\$524.00
200 kg	<b>188697</b>	2 lb	\$524.00
250 kg	<b>188698</b>	2 lb	\$524.00
300 kg	<b>188699</b>	2 lb	\$524.00
500 kg	<b>188700</b>	2 lb	\$524.00

**Dimensions**

Rated Capacity	A	B	C	D	E	F	G	H	J	K	M	N
kg/mm												
5 to 500	120.0	41.5	23.5	30.0	24.5	42.0	10.0	82.0	18.0	20.0	20.0	8.2



**Interchangeable Products**

RICE LAKE WEIGHING SYSTEMS  
**RLHBB**

**Specifications**

- Full Scale Output:**  
2.0 mV/V ± 10%  
mV/V/ohm calibration
- Output Resistance:**  
350 (± 3) ohm
- Input Resistance:**  
400 (± 20) ohm
- Material/Finish:**  
Stainless steel
- Temperature:**  
Compensated:  
14 °F to 104 °F (-10 °C to 40 °C)  
Operating:  
0 °F to 150 °F (-18 °C to 65 °C)
- Seal Type:**  
Hermetically sealed, IP68/IP69K
- Safe Overload:**  
150% full scale
- Rated Excitation:**  
5 to 10 VDC (15 V maximum)
- Combined Error:**  
0.017% full scale
- Insulation Resistance:**  
> 5,000 megohm
- Deflection at Capacity:**  
0.2 to 0.4 mm
- Cable Length:**  
3 m  
PVC cable
- Cable Color Code:**  
Blue +Excitation  
Black -Excitation  
White +Signal  
Red -Signal  
Green +Sense  
Yellow -Sense
- Warranty:**  
Two-year limited
- Approvals:**  
NTEP 18-107  
OIML R60/2017-A-NL1-19.27  
cFMus FM18US0307X

# RL30000I

Alloy Steel, Environmentally Sealed, NTEP Certified 1:5,000 IIIIL Class III Multiple Cell, IP67

LOAD CELLS /  
WEIGH MODULES



Picture is a representation of actual product.

### Approvals



### Order Information

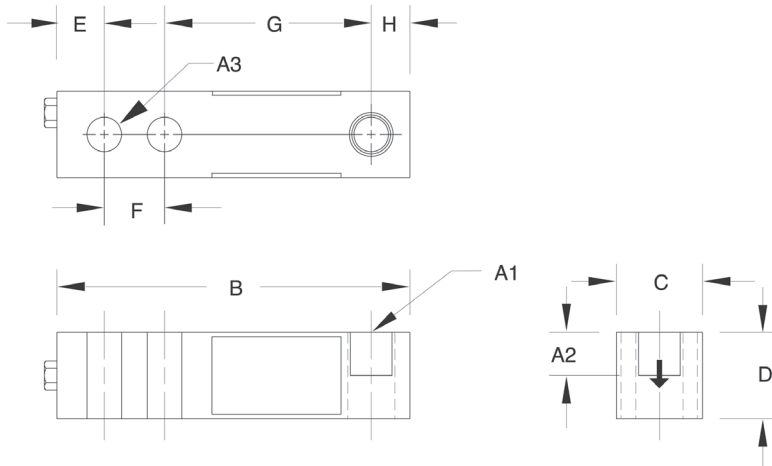
Load Rating	Part #	Est. Weight	Price
<b>NTEP Certified</b>			
1,000 lb	21491	3 lb	\$312.00
2,000 lb	21493	3 lb	\$312.00
2,500 lb	21495	3 lb	\$312.00
3,000 lb	21497	3 lb	\$312.00
4,000 lb	21498	3 lb	\$312.00
5,000 lb SE	21500	3 lb	\$312.00
5,000 lb LE	21501	5 lb	\$398.00
10,000 lb	21503	5 lb	\$398.00
<b>Non-NTEP Certified</b>			
250 lb	17341	3 lb	\$312.00
500 lb	17342	3 lb	\$312.00
20,000 lb	17109	10 lb	\$684.00
<b>Conduit Adapter Kit (must be factory installed to maintain warranty)</b>			
3/8-24 nipple	31533*	1 lb	\$37.00
3/8-24 to 1/4-18 NPT	31534*	1 lb	\$37.00

SE=small envelope; LE=large envelope

\* PN 31533 and PN 31534 must be installed together to form the Conduit Adapter Kit

### Dimensions

Rated Capacity	A1	A2	A3	B	C	D	E	F	G	H
250 to 5,000 SE	1/2-20 UNF	0.60	0.53	5.12	1.25	1.25	0.62	1.00	3.00	0.50
5,000 LE to 10,000	3/4-16 UNF	0.75	0.78	6.75	1.50	1.50	0.75	1.50	3.75	0.75
20,000	1-14 UNF	1.00	1.03	8.75	2.00	2.00	1.00	2.00	4.75	1.00



### Interchangeable Products

- VPG® REVERE  
**5123**
- VPG® TEDEA-HUNTLEIGH®  
**3411**
- ARTECH®  
**30310**

### Weigh Module Available

- RICE LAKE WEIGHING SYSTEMS  
**RL50210TA**
- RICE LAKE WEIGHING SYSTEMS  
**RL1800 Series**

### Specifications

- Full Scale Output:**  
3.0 mV/V
- Bridge Resistance:**  
350 ohm, nominal
- Material/Finish:**  
High-alloy steel, nickel plated
- Temperature:**  
Compensated:  
14 °F to 104 °F (-10 °C to 40 °C)  
Operating:  
0 °F to 150 °F (-18 °C to 65 °C)
- Seal Type:**  
Environmentally sealed, IP67
- Safe Overload:**  
150% full scale
- Safe Sideload:**  
100% full scale
- Rated Excitation:**  
5 to 10 VAC (15 V maximum)
- Combined Error:**  
0.02% full scale
- Insulation Resistance:**  
5,000 megohm
- Deflection at Capacity:**  
250 to 1,000 lb: 0.013 in  
2,000 to 3,000 lb: 0.015 in  
4,000 to 5,000 lb: 0.025 in  
10,000 lb: 0.032 in  
20,000 lb: 0.038 in
- Cable Length:**  
20 ft
- Cable Diameter:**  
0.200 in  
Polyurethane jacket
- Cable Color Code:**  
Red +Excitation  
Black -Excitation  
Green +Signal  
White -Signal
- Warranty:**  
Two-year limited
- Approvals:**  
cFMus  
NTEP 98-043

SINGLE-ENDED BEAM  
**RL30002 Thru Hole**

Alloy Steel, Environmentally Sealed, NTEP Certified 1:5,000 III L Class III Multiple Cell, IP67



Picture is a representation of actual product.

**Approvals**



**Order Information**

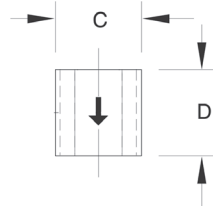
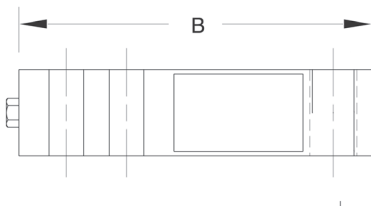
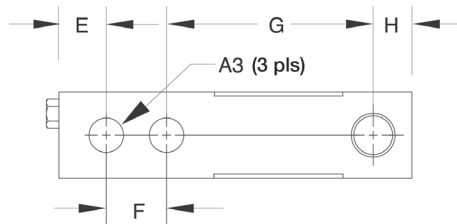
Load Rating	Part #	Est. Weight	Price
<b>NTEP Certified</b>			
1,000 lb	21521	3 lb	\$312.00
2,000 lb	21522	3 lb	\$312.00
2,500 lb	21523	3 lb	\$312.00
4,000 lb	21524	3 lb	\$312.00
5,000 lb SE	21525	3 lb	\$312.00
<b>Conduit Adapter Kit (must be factory installed to maintain warranty)</b>			
3/8-24 nipple	31533*	1 lb	\$37.00
3/8-24 to 1/4-18 NPT	31534*	1 lb	\$37.00

SE=small envelope

\* PN 31533 and PN 31534 must be installed together to form the Conduit Adapter Kit

**Dimensions**

Rated Capacity	A3	B	C	D	E	F	G	H
lb/in								
1,000 to 5,000 SE	0.53	5.12	1.25	1.25	0.62	1.00	3.00	0.50



**Interchangeable Products**

- VPG® TEDEA-HUNTLEIGH®  
3410
- ARTECH®  
30210

**Specifications**

**Full Scale Output:**  
3.0 mV/V

**Bridge Resistance:**  
350 ohm, nominal

**Material/Finish:**  
High-alloy steel, nickel plated

**Temperature:**  
Compensated:  
14 °F to 104 °F (-10 °C to 40 °C)  
Operating:  
0 °F to 150 °F (-18 °C to 65 °C)

**Seal Type:**  
Environmentally sealed, IP67

**Safe Overload:**  
150% full scale

**Safe Sideload:**  
100% full scale

**Rated Excitation:**  
5 to 10 VDC (15 V maximum)

**Combined Error:**  
0.02% full scale

**Insulation Resistance:**  
5,000 megohm

**Deflection at Capacity:**  
1,000 lb: 0.013 in  
2,000 to 3,000 lb: 0.015 in  
4,000 to 5,000 lb: 0.025 in

**Cable Length:**  
20 ft

**Cable Diameter:**  
0.200 in  
Polyurethane jacket

**Cable Color Code:**  
Red +Excitation  
Black -Excitation  
Green +Signal  
White -Signal

**Warranty:**  
Two-year limited

**Approvals:**  
cFMus  
NTEP 98-043

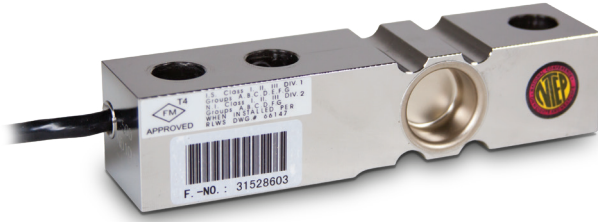
LOAD CELLS /  
WEIGH MODULES

# RLH35

Stainless Steel, Welded Seal, NTEP Certified 1:5,000 Class IIIIL Multiple Cell, IP67



LOAD CELLS / WEIGH MODULES



Picture is a representation of actual product.

**Approvals**

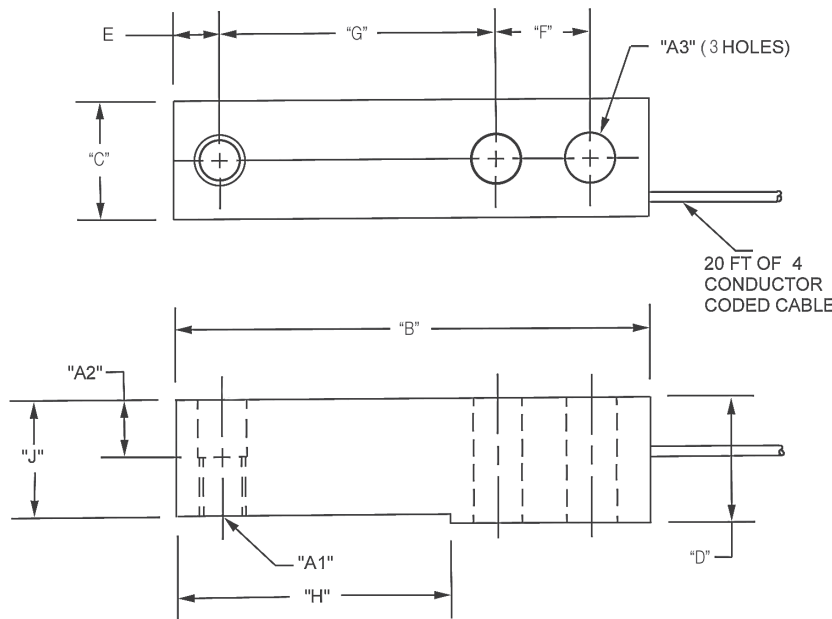


**Order Information**

Load Rating	Part #	Est. Weight	Price
500 lb	106038	4 lb	\$371.00

**Dimensions**

Rated Capacity	A1	A2	A3	C	D	B	E	F	G	H	J
500 lb/in	1/2-20 UNF	0.62	0.53	1.21	1.19	5.12	0.50	1.00	3.00	2.85	1.120



**Interchangeable Products**

- HBK®
- H35**
- METTLER TOLEDO®
- 500 lb-8 ft cable**
- TB601019-008
- 1,000 lb-20 ft cable**
- TB601016-020
- 2,500 lb-8 ft cable**
- TB601016-008

**Specifications**

- Full Scale Output:**  
3.0 mV/V
- Output Resistance:**  
350 ohm, nominal
- Input Resistance:**  
385 ohm, nominal
- Material/Finish:**  
Stainless steel
- Temperature:**  
Compensated:  
14 °F to 104 °F (-10 °C to 40 °C)  
Operating:  
0 °F to 150 °F (-18 °C to 65 °C)
- Seal Type:**  
Welded-seal, IP67
- Safe Overload:**  
150% full scale
- Rated Excitation:**  
5 to 10 VDC (15 V maximum)
- Combined Error:**  
0.02% full scale
- Insulation Resistance:**  
5,000 megohm
- Deflection at Capacity:**  
0.02 in
- Cable Length:**  
20 ft
- Cable Diameter:**  
0.190 in  
Polyurethane jacket
- Cable Color Code:**  
Green +Excitation  
Black -Excitation  
White +Signal  
Red -Signal  
Yellow Shield
- Warranty:**  
Two-year limited
- Approvals:**  
FM  
NTEP 06-023



**Interchangeable Products**

VPG® REVERE

**9123**

ARTECH®

**SS30310****Weigh Module Available**

RICE LAKE WEIGHING SYSTEMS

**RL50210TA**

RICE LAKE WEIGHING SYSTEMS

**RL1800 Series****Specifications****Full Scale Output:**

3.0 mV/V

**Output Resistance:**

349 to 355 ohm

**Input Resistance:**

343 to 357 ohm

**Material/Finish:**

Stainless steel

**Temperature:**Operating:  
0 °F to 150 °F (-18 °C to 65 °C)**Seal Type:**

Environmentally sealed, IP67

**Safe Overload:**

150% full scale

**Safe Sideload:**

100% full scale

**Rated Excitation:**

5 to 10 VDC (15 V maximum)

**Nonlinearity:**

0.03% full scale

**Hysteresis:**

0.02% full scale

**Insulation Resistance:**

5,000 megohm

**Deflection at Capacity:**250 to 1,000 lb: 0.013 in  
2,000 to 3,000 lb: 0.015 in  
4,000 to 5,000 lb: 0.025 in  
10,000 lb: 0.32 in**Cable Length:**20 ft  
30 ft**Cable Diameter:**0.200 in  
Polyurethane jacket**Cable Color Code:**Red +Excitation  
Black -Excitation  
Green +Signal  
White -Signal**Warranty:**

Two-year limited

**Approvals:**

cFMus



Picture is a representation of actual product.

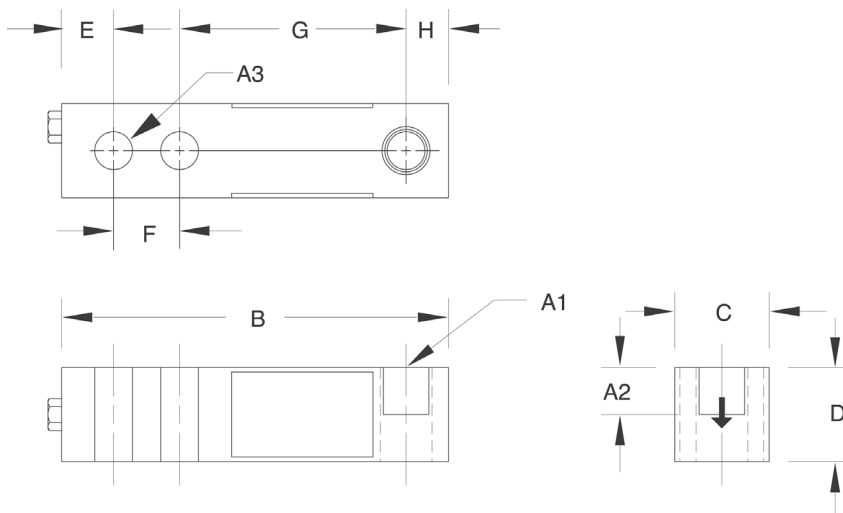
**Approvals****Order Information**

Load Rating	Part #	Est. Weight	Price
<b>20 ft Cables</b>			
250 lb	<b>17386</b>	3 lb	\$344.00
500 lb	<b>17387</b>	3 lb	\$344.00
1,000 lb	<b>17189</b>	3 lb	\$344.00
2,500 lb	<b>17191</b>	3 lb	\$344.00
4,000 lb	<b>17193</b>	3 lb	\$344.00
5,000 lb	<b>17194</b>	5 lb	\$439.00
10,000 lb	<b>17195</b>	5 lb	\$439.00
<b>30 ft Cables</b>			
4,000 lb	<b>95562</b>	3 lb	\$365.00
<b>Conduit Adapter Kit (must be factory installed to maintain warranty)</b>			
3/8-24 nipple	<b>31533*</b>	1 lb	\$37.00
3/8-24 to 1/4-18NPT	<b>31534*</b>	1 lb	\$37.00

\* PN 31533 and PN 31534 must be installed together to form the Conduit Adapter Kit

**Dimensions**

Rated Capacity	A1	A2	A3	B	C	D	E	F	G	H
lb/in										
250 to 4,000	1/2-20 UNF	0.60	0.53	5.12	1.25	1.25	0.62	1.00	3.00	0.50
5,000 to 10,000	3/4-16 UNF	0.75	0.78	6.75	1.50	1.50	0.75	1.50	3.75	0.75



SINGLE-ENDED BEAM  
**RL32018S-T**

Stainless Steel, Hermetically Sealed, NTEP Certified, 1:5,000 Class III Multiple Cell, IP69K

LOAD CELLS /  
 WEIGH MODULES



Picture is a representation of actual product.

Approvals

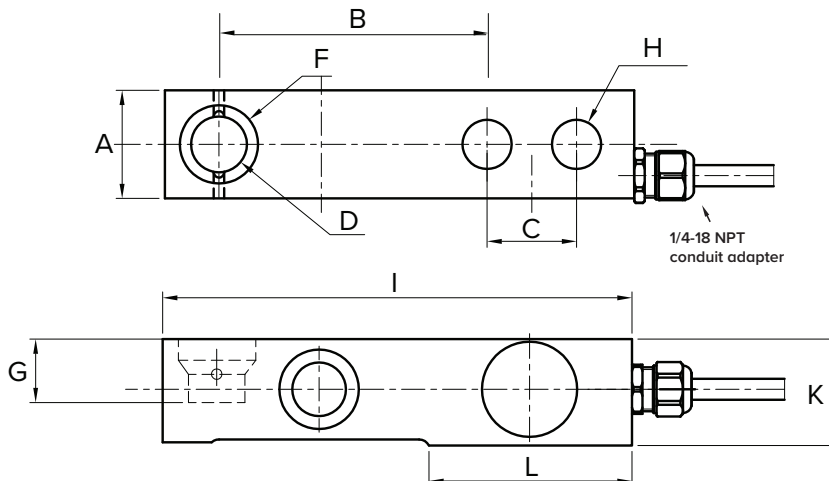


Order Information

Load Rating	Part #	Est. Weight	Price
<b>15 ft Cable</b>			
500 lb	189189	3 lb	\$477.00
1,250 lb	189190	3 lb	\$477.00
2,500 lb	189191	3 lb	\$477.00
5,000 lb	189192	5 lb	\$630.00
10,000 lb	189193	5 lb	\$758.00
<b>30 ft Cable</b>			
500 lb	191974	3 lb	\$503.00
1,250 lb	191975	3 lb	\$503.00
2,500 lb	191976	3 lb	\$503.00
5,000 lb	191977	5 lb	\$662.00
10,000 lb	191978	5 lb	\$790.00
<b>Replacement load pins</b>			
Rocker pin 500 to 2.5 K	108612	1 lb	\$85.00
Rocker pin 5 K	130408	1 lb	\$90.00
Rocker pin 10 K	131376	1 lb	\$130.00
O-ring (two per pin)	108202	1 lb	\$1.00

Dimensions

Rated Capacity	A	B	C	D	F	G	H	I	K	L
500 to 1,250	1.21	3.00	1.00	0.62	0.88	0.68	0.51	5.25	1.19	2.27
2,500	1.21	3.00	1.00	0.62	0.88	0.68	0.51	5.25	1.19	2.27
5,000	1.44	3.00	1.00	0.62	0.88	0.90	0.51	5.38	1.44	2.28
10,000	1.69	3.75	1.50	0.88	1.38	1.15	0.76	6.75	1.69	2.91



Interchangeable Products

- METTLER TOLEDO®  
**TB600529-500 lb**
- METTLER TOLEDO  
**TB600363-1,250 lb**
- METTLER TOLEDO  
**TB600342-2,500 lb**
- METTLER TOLEDO  
**TB600343-5,000 lb**
- METTLER TOLEDO  
**TB600364-10,000 lb**
- HBK®  
**THC**

Weigh Module Available

RICE LAKE WEIGHING SYSTEMS  
**RLTM**

Specifications

- Full Scale Output:**  
 2.0 mV/V ± 0.05%  
 mV/V/ohm calibration
- Output Resistance:**  
 350 (± 3) ohm
- Input Resistance:**  
 400 (± 20) ohm
- Material/Finish:**  
 Stainless steel
- Temperature:**  
 Compensated:  
 14 °F to 104 °F (-10 °C to 40 °C)  
 Operating:  
 0 °F to 150 °F (-18 °C to 65 °C)
- Seal Type:**  
 Hermetically sealed, IP69K
- Safe Overload:**  
 150% full scale
- Rated Excitation:**  
 5 to 10 VDC
- Combined Error:**  
 0.017% full scale
- Insulation Resistance:**  
 5,000 megohm
- Cable Length:**  
 15 ft  
 30 ft
- Cable Color Code:**  
 Green +Excitation  
 Black -Excitation  
 White +Signal  
 Red -Signal  
 Shield is attached to element
- Warranty:**  
 Two-year limited
- Approvals:**  
 cFMus  
 NTEP 18-106

**Discontinued**

# RL35023S MLC Coated

Stainless Steel, Environmentally Sealed, NTEP Certified 1:5,000 Class III Multiple Cell, IP67



Picture is a representation of actual product.

### Approvals



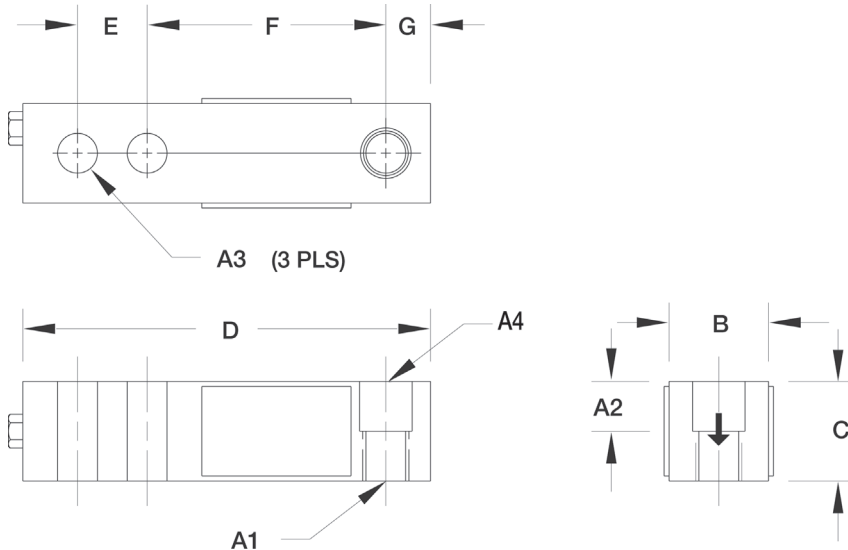
### Order Information

Load Rating	Part #	Est. Weight	Price
10,000 lb	<b>182759</b>	3 lb	\$466.00
<b>Conduit Adapter Kit (must be factory installed to maintain warranty)</b>			
3/8-24 nipple	<b>31533*</b>	1 lb	\$37.00
3/8-24 to 1/4-18 NPT	<b>31534*</b>	1 lb	\$37.00

\* PN 31533 and PN 31534 must be installed together to form the Conduit Adapter Kit

### Dimensions

Rated Capacity	A1	A2	A3	A4	B	C	D	E	F	G
10,000 lb/in	3/4-16 UNF	0.75	0.78	0.78 dia	1.50	1.50	6.75	1.50	3.75	0.75



### Interchangeable Products

- VPG® SENSORTRONICS®  
**65023S\***
- VPG SENSORTRONICS  
**65023SS\***
- VPG® CELTRON®  
**SQB-HSS\***

### Weigh Module Available

- RICE LAKE WEIGHING SYSTEMS  
**RL50210TA**
- RICE LAKE WEIGHING SYSTEMS  
**RL1800 Series**

\*Cells are uncoated

### Specifications

- Full Scale Output:**  
3.0 mV/V
- Output Resistance:**  
349 to 355 ohm
- Input Resistance:**  
343 to 357 ohm
- Material/Finish:**  
Stainless steel, coated
- Temperature:**  
Compensated:  
14 °F to 104 °F (-10 °C to 40 °C)  
Operating:  
0 °F to 150 °F (-18 °C to 65 °C)
- Seal Type:**  
Environmentally sealed, IP67
- Safe Overload:**  
150% full scale
- Safe Sideload:**  
100% full scale
- Rated Excitation:**  
5 to 10 VDC (15 V maximum)
- Combined Error:**  
0.02% full scale
- Insulation Resistance:**  
5,000 megohm
- Deflection at Capacity:**  
10,000 lb: 0.025 to 0.035 in
- Cable Length:**  
20 ft
- Cable Diameter:**  
0.200 in  
Polyurethane jacket
- Cable Color Code:**  
Red +Excitation  
Black -Excitation  
Green +Signal  
White -Signal
- Warranty:**  
Two-year limited
- Approvals:**  
cFMus  
NTEP 94-134

LOAD CELLS / WEIGH MODULES

# RLHTO

Stainless Steel, Hermetically Sealed, IP66/68

LOAD CELLS /  
WEIGH MODULES



Picture is a representation of actual product.

### Approvals

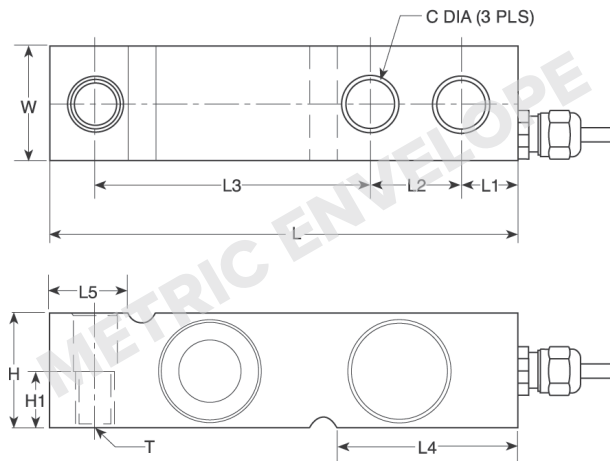


### Order Information

Load Rating	Part #	Est. Weight	Price
500 kg	31253	3 lb	\$514.00
1,000 kg	31250	3 lb	\$514.00
2,000 kg	31251	3 lb	\$514.00
5,000 kg	31252	5 lb	\$588.00

### Dimensions

Rated Capacity	C	H	H1	L	L1	L2	L3	L4	L5	T	W
kg/mm											
500 to 2,000	13.5	32.0	16.0	130.0	15.8	25.4	76.2	50.5	23.5	M12 x 1.75	32.0
5,000	20.5	48.0	—	171.5	19.0	38.1	95.3	70.0	37.0	—	36.5



### Interchangeable Products

VPG® TEDEA-HUNTLEIGH®  
**3510-OIML**

### Weigh Module Available

RICE LAKE WEIGHING SYSTEMS  
**1700 HE**

### Specifications

- Full Scale Output:**  
2.0 mV/V
- Output Resistance:**  
350 (± 3) ohm
- Input Resistance:**  
380 (± 10) ohm
- Material/Finish:**  
Stainless steel
- Temperature:**  
Operating:  
0 °F to 150 °F (-18 °C to 65 °C)
- Seal Type:**  
Hermetically sealed, IP66/68
- Safe Overload:**  
150% full scale
- Safe Sideload:**  
100% full scale
- Rated Excitation:**  
5 to 10 VDC (15 V maximum)
- Combined Error:**  
0.02% applied load
- Insulation Resistance:**  
2,000 megohm
- Deflection at Capacity:**  
0.4 mm
- Cable Length:**  
5 m
- Cable Diameter:**  
0.220 in  
Polyurethane jacket
- Cable Color Code:**  
Blue +Excitation  
Black -Excitation  
White +Signal  
Red -Signal  
Green +Sense  
Grey -Sense
- Warranty:**  
Two-year limited
- Approvals:**  
cFMus



Picture is a representation of actual product.

### Approvals

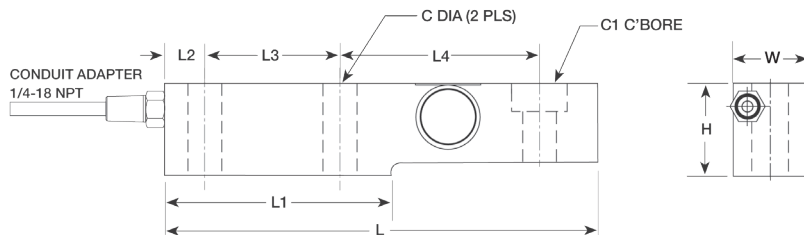


### Order Information

Load Rating	Part #	Est. Weight	Price
1,000 lb	<b>34310</b>	5 lb	\$636.00
2,000 lb	<b>34311</b>	5 lb	\$636.00
5,000 lb	<b>34312</b>	6 lb	\$636.00
10,000 lb	<b>34313</b>	10 lb	\$758.00
Options			
Load cell button (1 K to 5 K)	<b>26112</b>	—	\$37.00

### Dimensions

Rated Capacity	C	C1	H	L	L1	L2	L3	L4	W
lb/in									
1,000 to 5,000	0.53	0.68 thru C'Bore 1.19 x 0.47 DP	1.88	8.00	4.00	0.75	2.50	3.88	1.44
10,000	0.88	1.00 thru C'Bore 1.63 x 0.62 DP	2.75	9.25	4.62	0.81	2.63	4.88	1.88



### Interchangeable Products

ARTECH®  
**SS30610**

### Weigh Module Available

RICE LAKE WEIGHING SYSTEMS  
**RL1900 Series**

### Specifications

#### Full Scale Output:

2.0 mV/V

#### Bridge Resistance:

350 ohm, nominal

#### Material/Finish:

Stainless steel

#### Temperature:

Compensated:

14 °F to 104 °F (-10 °C to 40 °C)

Operating:

0 °F to 150 °F (-18 °C to 65 °C)

#### Seal Type:

Welded-seal, IP67

#### Safe Overload:

150% full scale

#### Safe Sideload:

100% full scale

#### Rated Excitation:

5 to 10 VDC (15 V maximum)

#### Combined Error:

0.02% full scale

#### Non-repeatability:

0.01% full scale

#### Insulation Resistance:

5,000 megohm

#### Cable Length:

15 ft

#### Cable Diameter:

0.200 in

Polyurethane jacket

#### Cable Color Code:

Green +Excitation

Black -Excitation

White +Signal

Red -Signal

#### Warranty:

Two-year limited

#### Approvals:

cFMus

NTEP 96-053

# RLSB250/RLSB250T

Stainless Steel, Welded Seal, NTEP Certified 1:5,000 Class III Multiple Cell, IP67

LOAD CELLS / WEIGH MODULES



Picture is a representation of actual product.

### Approvals

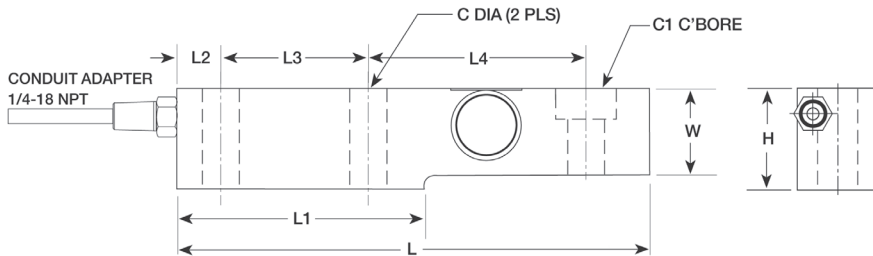


### Order Information

Load Rating	Part #	Est. Weight	Price
<b>Threaded</b>			
2,500 lb	116053	6 lb	\$636.00
5,000 lb	116054	6 lb	\$742.00
<b>Thru Hole</b>			
2,500 lb	34482	6 lb	\$636.00
10,000 lb	116055	10 lb	\$742.00
<b>Options</b>			
Load cell button	116084	—	\$11.00

### Dimensions

Rated Capacity	C	C1	H	L	L1	L2	L3	L4	T	W
2,500	0.53	1.20 x 0.75 DP	1.93	8.00	4.00	0.75	2.50	3.88	3/4-16 UNF	1.25
5,000	0.53	1.20 x 0.75 DP	1.93	8.00	4.00	0.75	2.50	3.88	3/4-16 UNF	1.45
10,000	—	1.20 x 0.75 DP	2.46	9.00	4.00	0.75	2.00	5.25	—	1.62



### Interchangeable Products

CARDINAL®  
**SB2500\***  
 \*No threads in load hole

### Specifications

- Full Scale Output:**  
2.0 mV/V
- Bridge Resistance:**  
350 ohm, nominal
- Material/Finish:**  
Stainless steel
- Temperature:**  
Compensated:  
14 °F to 104 °F (-10 °C to 40 °C)  
Operating:  
0 °F to 150 °F (-18 °C to 65 °C)
- Seal Type:**  
Welded-seal, IP67
- Safe Overload:**  
150% full scale
- Safe Sideload:**  
100% full scale
- Rated Excitation:**  
5 to 10 VDC (15 V maximum)
- Combined Error:**  
0.02% full scale
- Non-repeatability:**  
0.01% full scale
- Insulation Resistance:**  
5,000 megohm
- Cable Length:**  
20 ft  
PN 34482: 15 ft
- Cable Diameter:**  
0.200 in  
Polyurethane jacket
- Cable Color Code:**  
Green +Excitation  
Black -Excitation  
White +Signal  
Red -Signal
- Warranty:**  
Two-year limited
- Approvals:**  
cFMus  
NTEP 96-053

SINGLE-ENDED BEAM  
**RL50219SS**

Stainless Steel, Environmentally Sealed, IP65



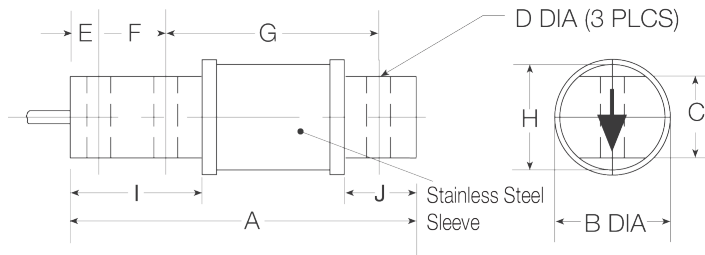
Picture is a representation of actual product.

**Order Information**

Load Rating	Part #	Est. Weight	Price
25 lb	194014	2 lb	\$450.00
50 lb	194015	2 lb	\$450.00
75 lb	194016	2 lb	\$450.00
100 lb	194017	2 lb	\$450.00
150 lb	194018	2 lb	\$450.00
250 lb	194019	2 lb	\$450.00
500 lb	194020	2 lb	\$450.00

**Dimensions**

Rated Capacity	A	B	C	D	E	F	G	H	I	J
lb/in										
25 to 500	2.81	1.30	0.62	0.26	0.25	0.50	1.81	1.00	1.00	0.50



**Interchangeable Products**

- RICE LAKE WEIGHING SYSTEMS  
**RL50210 (alloy)**
- RICE LAKE WEIGHING SYSTEMS  
**RL60040SST**

**Weigh Module Available**

- RICE LAKE WEIGHING SYSTEMS  
**RL50219SS-TA**

**Specifications**

- Full Scale Output:**  
3.0 mV/V
- Output Resistance:**  
350 (± 3) ohm
- Input Resistance:**  
380 to 450 ohm
- Material/Finish:**  
Stainless steel
- Temperature:**  
Operating:  
0 °F to 150 °F (-18 °C to 65 °C)
- Seal Type:**  
Environmentally sealed, IP65
- Safe Overload:**  
150% full scale
- Rated Excitation:**  
5 to 10 VDC
- Nonlinearity:**  
0.03% full scale
- Hysteresis:**  
0.02% full scale
- Combined Error:**  
0.017% full scale
- Insulation Resistance:**  
5,000 megohm
- Cable Length:**  
20 ft
- Cable Color Code:**  
Red +Excitation  
Black -Excitation  
Green +Signal  
White -Signal
- Warranty:**  
Two-year limited

LOAD CELLS /  
WEIGH MODULES

# RL50210

Alloy Steel, Environmentally Sealed, IP65



Picture is a representation of actual product.

### Approvals

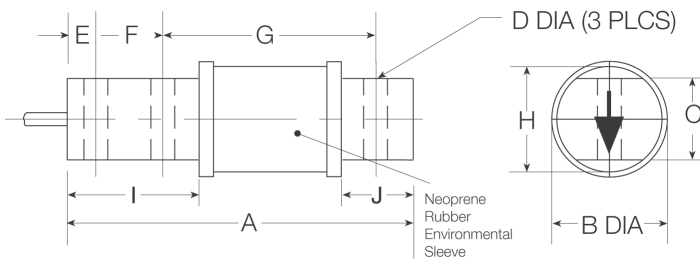


### Order Information

Load Rating	Part #	Est. Weight	Price
25 lb	17385	2 lb	\$260.00
50 lb	17380	2 lb	\$260.00
100 lb	17381	2 lb	\$260.00
150 lb	17382	2 lb	\$260.00
250 lb	17383	2 lb	\$260.00
500 lb	17384	2 lb	\$260.00

### Dimensions

Rated Capacity	A	B	C	D	E	F	G	H	I	J
lb/in										
25 to 500	2.81	1.30	0.62	0.26	0.25	0.50	1.81	1.00	1.00	0.50



### Interchangeable Products

RICE LAKE WEIGHING SYSTEMS

RL50219SS

VPG® SENSORTRONICS®

60040

ARTECH®

50210

VPG® REVERE

5503

### Weigh Module Available

RICE LAKE WEIGHING SYSTEMS

RL50210TA

### Specifications

**Full Scale Output:**

3.0 mV/V

**Output Resistance:**

349 to 355 ohm

**Input Resistance:**

360 to 450 ohm

**Material/Finish:**

High-alloy steel, nickel plated

**Temperature:**

Operating:

0 °F to 150 °F (-18 °C to 65 °C)

**Seal Type:**

Environmentally sealed with neoprene sleeve, IP65

**Safe Overload:**

150% full scale

**Rated Excitation:**

5 to 10 VDC (15 V maximum)

**Nonlinearity:**

0.03% full scale

**Hysteresis:**

0.02% full scale

**Insulation Resistance:**

5,000 megohm

**Deflection at Capacity:**

25 to 50 lb: 0.008 in

100 lb: 0.010 in

150 lb: 0.012 in

250 lb: 0.016 in

500 lb: 0.025 in

**Cable Length:**

20 ft

**Cable Diameter:**

0.200 in

Polyurethane jacket

**Cable Color Code:**

Red +Excitation

Black -Excitation

Green +Signal

White -Signal

**Warranty:**

Two-year limited

**Approvals:**

cFMus





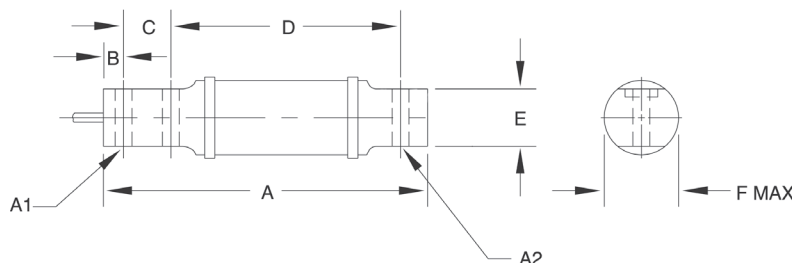
Picture is a representation of actual product.

## Order Information

Load Rating	Part #	Est. Weight	Price
50 lb	17395	3 lb	\$418.00
100 lb	17343	3 lb	\$418.00
200 lb	17396	3 lb	\$418.00
250 lb	17397	3 lb	\$418.00
500 lb	17398	3 lb	\$418.00
1,000 lb	17344	3 lb	\$418.00
2,500 lb	17345	9 lb	\$662.00

## Dimensions

Rated Capacity	A	A1	A2	B	C	D	E	F	G	H
lb/in										
50 to 100	6.00	0.31	0.31	0.38	0.88	4.25	1.06	1.41	—	—
200 to 1,000	6.62	0.52	0.52	0.50	1.12	4.25	1.06	1.41	—	—
2,500	11.38	0.53	0.62	0.50	1.75	8.25	1.25	2.19	1.19	0.12



## Interchangeable Products

HBK®  
**BBS**  
 VPG® SENSORTRONICS®  
**65087**  
 FAIRBANKS®  
**3-481XX-1**  
 FAIRBANKS  
**3-48660-1**  
 ARTECH®  
**40310**

## Specifications

### Full Scale Output:

2.0 mV/V

### Output Resistance:

831 (± 5) ohm

### Input Resistance:

750 (±5) ohm

### Material/Finish:

High-alloy steel, nickel plated

### Temperature:

Operating:  
 0 °F to 150 °F (-18 °C to 65 °C)

### Seal Type:

Environmentally sealed with neoprene sleeve, IP65

### Safe Overload:

150% full scale

### Rated Excitation:

5 to 10 VDC (15 V maximum)

### Nonlinearity:

0.03% full scale

### Hysteresis:

0.02% full scale

### Insulation Resistance:

5,000 megohm

### Deflection at Capacity:

50 lb: 0.015 in  
 100 lb: 0.005 in  
 200 to 250 lb: 0.030 in  
 500 lb: 0.025 in  
 1,000 lb: 0.040 in  
 2,500 lb: 0.120 in

### Cable Length:

10 ft

### Cable Diameter:

0.200 in  
 Polyurethane jacket

### Cable Color Code:

Green +Excitation  
 Black -Excitation  
 White +Signal  
 Red -Signal

### Warranty:

Two-year limited

# RL32011WB-L

Stainless Steel, Environmentally Sealed, NTEP Certified 1:5,000 Class III Multiple Cell, Potted, IP67



Picture is a representation of actual product.

### Approvals

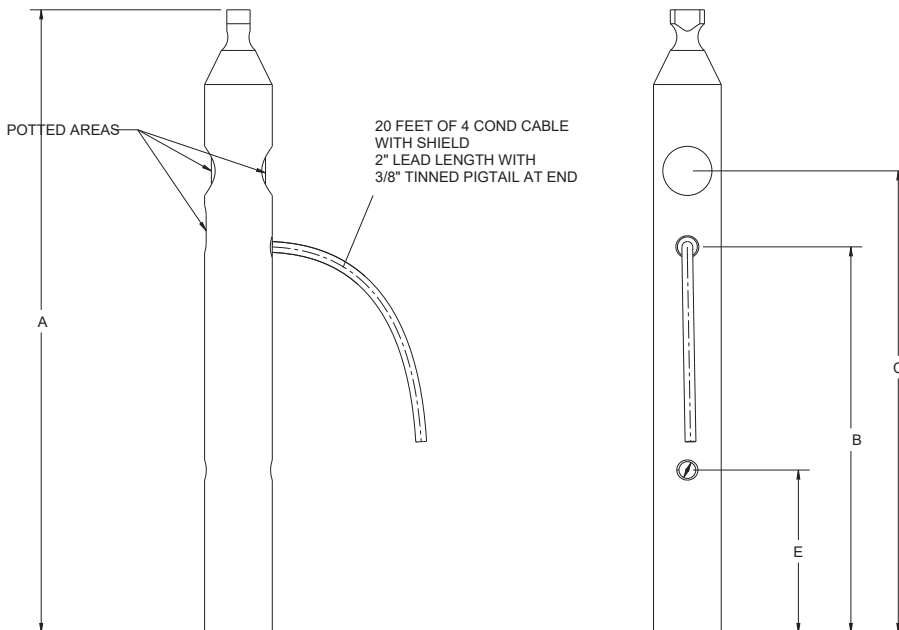
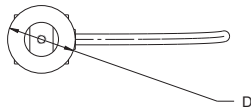


### Order Information

Load Rating	Part #	Est. Weight	Price
1,250 lb	119788	5 lb	\$730.00
5,000 lb	119790	9 lb	\$850.00
10,000 lb	119791	17 lb	\$950.00

### Dimensions

Rated Capacity lb/in	A	B	C	D	E
1,250	11.50	7.12	8.52	1.25	3.0
5,000	10.9	5.5	7.4	2.0	3.0
10,000	12.6	5.9	8.0	2.5	3.0



### Interchangeable Products

EVERY WEIGH TRONIX®  
Weigh Bar

### Specifications

- Full Scale Output:**  
2.0 (± 0.1%) mV/V
- Output Resistance:**  
350 (± 3) ohm
- Input Resistance:**  
385 (± 10) ohm
- Material/Finish:**  
Stainless steel
- Temperature:**  
Compensated:  
14 °F to 104 °F (-10 °C to 40 °C)  
Operating:  
0 °F to 150 °F (-18 °C to 65 °C)
- Seal Type:**  
Environmentally sealed, IP67
- Safe Overload:**  
150% full scale
- Safe Sideload:**  
100% full scale
- Rated Excitation:**  
5 to 10 VDC
- Combined Error:**  
0.02% full scale
- Non-repeatability:**  
± 0.01% full scale
- Insulation Resistance:**  
5,000 megohm
- Cable Length:**  
20 ft
- Cable Diameter:**  
0.190 in  
Polyurethane jacket
- Cable Color Code:**  
Green +Excitation  
Black -Excitation  
White +Signal  
Red -Signal
- Warranty:**  
Two-year limited
- Approvals:**  
NTEP 11-024



Picture is a representation of actual product.

**Approvals**

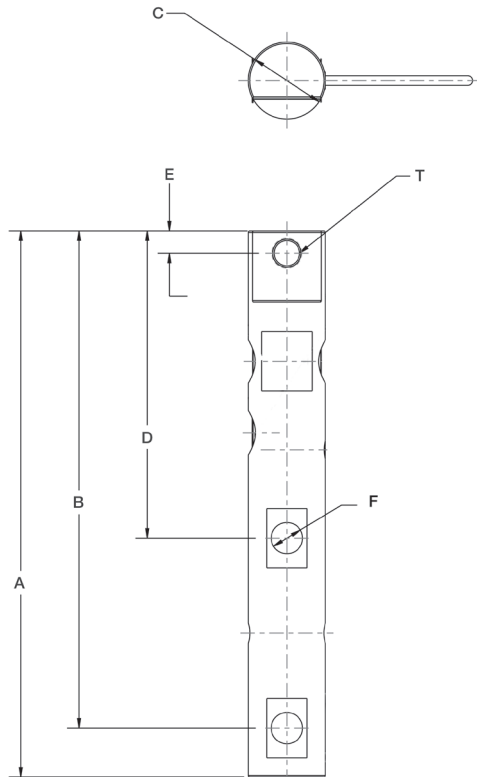


**Order Information**

Load Rating	Part #	Est. Weight	Price
1,250 lb	<b>119796</b>	3 lb	\$525.00
2,500 lb	<b>119797</b>	3 lb	\$525.00

**Dimensions**

Rated Capacity lb/in	A	B	C	D	E	F	T
1,250	11.50	10.47	1.25	6.47	0.47	0.53	1/2-13 UNC
2,500	11.50	10.47	1.62	6.47	0.47	0.66	5/8-11 UNC



**Interchangeable Products**

AVERY WEIGH TRONIX®  
**Weigh Bar**

**Specifications**

**Full Scale Output:**

2.0 (± 0.1%) mV/V

**Output Resistance:**

350 (± 3) ohm

**Input Resistance:**

385 (± 10) ohm

**Material/Finish:**

Stainless steel

**Temperature:**

Compensated:

14 °F to 104 °F (-10 °C to 40 °C)

Operating:

0 °F to 150 °F (-18 °C to 65 °C)

**Seal Type:**

Environmentally sealed, IP67

**Safe Overload:**

150% full scale

**Safe Sideload:**

100% full scale

**Rated Excitation:**

5 to 10 VDC

**Combined Error:**

0.02% full scale

**Non-repeatability:**

± 0.01% full scale

**Insulation Resistance:**

5,000 megohm

**Cable Length:**

20 ft

**Cable Diameter:**

0.190 in

Polyurethane jacket

**Cable Color Code:**

Green +Excitation

Black -Excitation

White +Signal

Red -Signal

**Warranty:**

Two-year limited

**Approvals:**

NTEP 11-024

# RL72020

Alloy Steel, Environmentally Sealed, NTEP Certified 1:5,000 Class III/1:10,000 Class IIIIL Multiple Cell, IP67

LOAD CELLS /  
WEIGH MODULES



Picture is a representation of actual product.

### Approvals

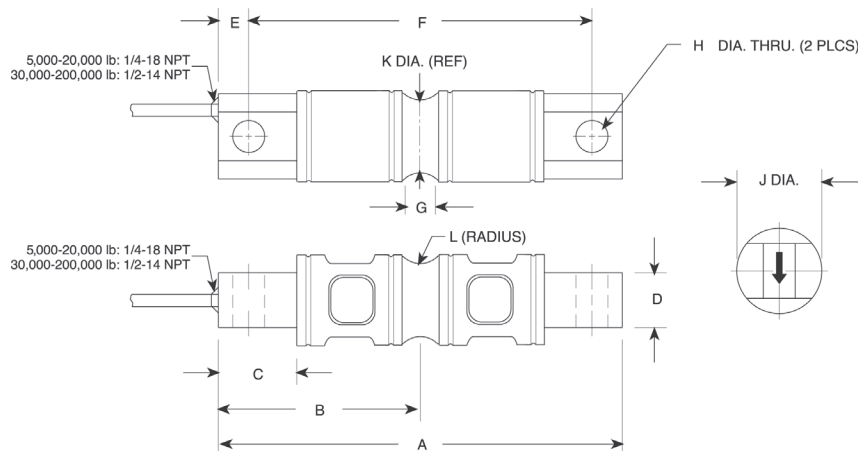


### Order Information

Load Rating	Part #	Est. Weight	Price
<b>NTEP</b>			
5,000 lb	201758	5 lb	\$695.00
10,000 lb	201759	6 lb	\$695.00
20,000 lb	201760	7 lb	\$695.00
30,000 lb	201761	18 lb	\$800.00
40,000 lb	201762	18 lb	\$800.00
50,000 lb	201763	18 lb	\$800.00
60,000 lb	201764	18 lb	\$800.00
100,000 lb	201765	28 lb	\$1,563.00
150,000 lb	201766	34 lb	\$1,563.00
200,000 lb	201767	90 lb	\$2,940.00
<b>Non-NTEP</b>			
250,000 lb	201768	93 lb	\$2,940.00

### Dimensions

Rated Capacity	A	B	C	D	E	F	G	H	J	K	L
5,000 to 10,000 lb/in	8.12	4.06	1.44	1.12	0.62	6.88	0.62	0.66	1.70	1.48	0.50
20,000	8.12	4.06	1.44	1.12	0.62	6.88	0.84	0.66	1.95	1.48	0.50
30,000 to 60,000	10.25	5.12	1.88	2.37	0.88	8.50	1.00	1.06	3.20	2.73	1.00
100,000	11.25	5.62	1.88	2.50	0.88	9.50	1.00	1.06	3.50	3.24	1.50
150,000	11.25	5.62	1.88	2.80	0.88	9.50	1.25	1.06	3.90	3.64	1.50
200,000 to 250,000	16.10	8.05	3.05	4.60	1.55	13.00	1.30	1.56	5.38	5.17	2.00



### Interchangeable Products

VPG® REVERE

5103\*

ARTECH®

70210

METTLER TOLEDO®

SLD 430

\*Conduit adapter optional

### Weigh Module Available

RICE LAKE WEIGHING SYSTEMS

EZ Mount 1

### Specifications

#### Full Scale Output:

3.0 mV/V

#### Output Resistance:

700 (± 5) ohm

#### Input Resistance:

5 to 10 k: 700 (± 14) ohm  
20 to 150 k: 770 (± 10) ohm  
200 to 250 k: 700 (± 14) ohm

#### Material/Finish:

High-alloy steel, nickel plated

#### Temperature:

Compensated:  
14 °F to 104 °F (-10 °C to 40 °C)  
Operating:  
0 °F to 150 °F (-18 °C to 65 °C)

#### Seal Type:

Environmentally sealed, IP67

#### Safe Overload:

150% full scale

#### Safe Sideload:

100% full scale

#### Rated Excitation:

5 to 10 VDC (15 V maximum)

#### Combined Error:

0.02% full scale

#### Insulation Resistance:

5,000 megohm

#### Deflection at Capacity:

5,000 lb: 0.02 in  
10,000 lb: 0.025 in  
20,000 lb: 0.042 in  
30,000 to 50,000 lb: 0.02 in  
60,000 lb: 0.025 in  
100,000 lb: 0.02 in

#### Cable Length:

30 ft

#### Cable Color Code:

Red +Excitation  
Black -Excitation  
Green +Signal  
White -Signal

#### Warranty:

Two-year limited

#### Approvals:

cFMus  
NTEP 21-064

**Interchangeable Products**

VPG® REVERE  
**9103**

**Weigh Module Available**

RICE LAKE WEIGHING SYSTEMS  
**EZ Mount 1 SS**

**Specifications**

**Full Scale Output:**

3.0 mV/V

**Output Resistance:**

700 (± 5) ohm

**Input Resistance:**

700 (± 10) ohm

**Material/Finish:**

Stainless steel

**Temperature:**

Operating:  
14 °F to 104 °F (-10 °C to 40 °C)

**Seal Type:**

Environmentally sealed, IP67

**Safe Overload:**

150% full scale

**Safe Sideload:**

100% full scale

**Rated Excitation:**

5 to 10 VDC

**Combined Error:**

0.02% full scale

**Insulation Resistance:**

5,000 megohm

**Cable Length:**

30 ft polyurethane jacket

**Cable Color Code:**

Red +Excitation  
Black -Excitation  
Green +Signal  
White -Signal

**Warranty:**

Two-year limited

**Approvals:**

NTEP 21-064  
cFMus



Picture is a representation of actual product.

**Approvals**

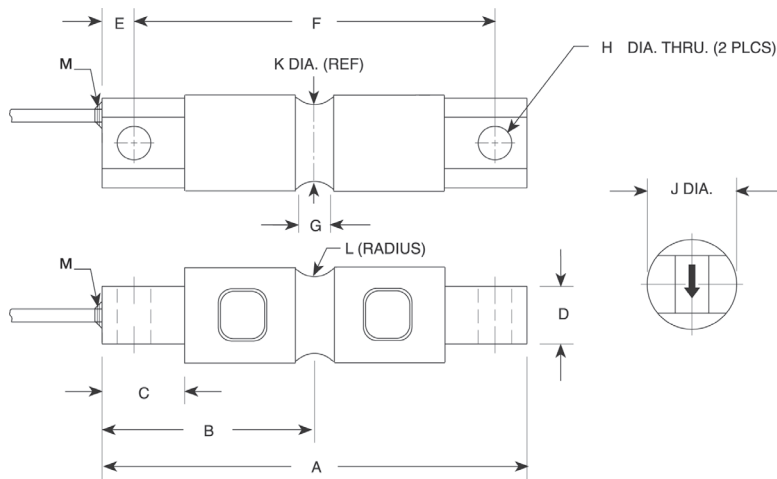


**Order Information**

Load Rating	Part #	Est. Weight	Price
<b>NTEP Certified</b>			
10,000 lb	<b>201781</b>	5 lb	\$820.00
20,000 lb	<b>201782</b>	7 lb	\$900.00
30,000 lb	<b>201783</b>	18 lb	\$1,033.00
40,000 lb	<b>201784</b>	18 lb	\$1,033.00
50,000 lb	<b>201785</b>	18 lb	\$1,033.00
60,000 lb	<b>201786</b>	18 lb	\$1,033.00
100,000 lb	<b>201787</b>	28 lb	\$1,960.00
<b>Non-NTEP Certified</b>			
5,000 lb	<b>201780</b>	5 lb	\$820.00
150,000 lb	<b>201788</b>	34 lb	\$2,173.00

**Dimensions**

Rated Capacity	A	B	C	D	E	F	G	H	J	K	L	M
lb/in												
5,000 to 10,000	8.12	4.06	1.44	1.12	0.62	6.88	0.62	0.66	1.70	1.48	0.50	1/4-18 NPT
20,000	8.12	4.06	1.44	1.12	0.62	6.88	0.84	0.66	1.95	1.48	0.50	1/4-18 NPT
30,000 to 60,000	10.25	5.12	1.88	2.37	0.88	8.50	1.00	1.06	3.20	2.73	1.00	1/2-14 NPT
100,000	11.25	5.62	1.88	2.50	0.88	9.50	1.00	1.06	3.50	3.24	1.50	1/2-14 NPT
150,000	11.25	5.62	1.88	2.80	0.88	9.50	1.25	1.06	3.90	3.64	1.50	1/2-14 NPT



# RL72020 MLC Coated

Alloy Steel, Environmentally Sealed, NTEP Certified 1:5,000 Class III/1:10,000 Class IIIIL Multiple Cell, IP67

LOAD CELLS /  
WEIGH MODULES



Picture is a representation of actual product.

### Approvals

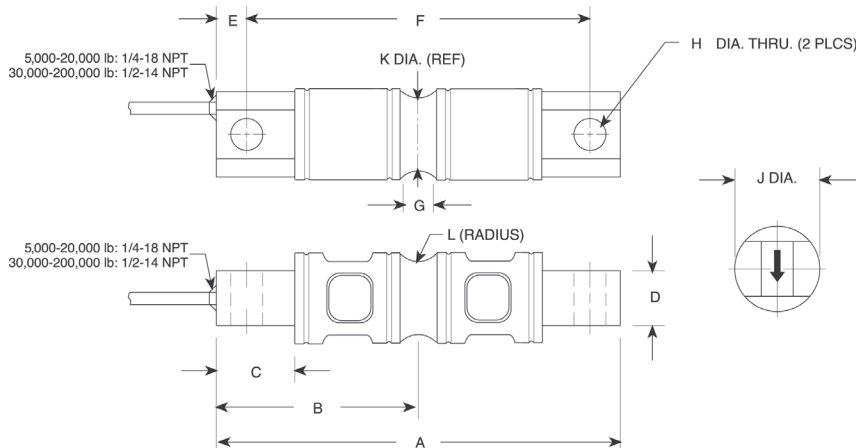


### Order Information

Load Rating	Part #	Est. Weight	Price
<b>NTEP</b>			
5,000 lb	201769	5 lb	\$720.00
10,000 lb	201770	6 lb	\$720.00
20,000 lb	201771	7 lb	\$720.00
30,000 lb	201772	18 lb	\$826.00
40,000 lb	201773	18 lb	\$826.00
50,000 lb	201774	18 lb	\$826.00
60,000 lb	201775	18 lb	\$826.00
100,000 lb	201776	28 lb	\$1,615.00
150,000 lb	201777	34 lb	\$1,615.00
200,000 lb	201778	90 lb	\$2,990.00
<b>Non-NTEP</b>			
250,000 lb	201779	93 lb	\$2,990.00

### Dimensions

Rated Capacity	A	B	C	D	E	F	G	H	J	K	L
5,000 to 10,000	8.12	4.06	1.44	1.12	0.62	6.88	0.62	0.66	1.70	1.48	0.50
20,000	8.12	4.06	1.44	1.12	0.62	6.88	0.84	0.66	1.95	1.48	0.50
30,000 to 60,000	10.25	5.12	1.88	2.37	0.88	8.50	1.00	1.06	3.20	2.73	1.00
100,000	11.25	5.62	1.88	2.50	0.88	9.50	1.00	1.06	3.50	3.24	1.50
150,000	11.25	5.62	1.88	2.80	0.88	9.50	1.25	1.06	3.90	3.64	1.50
200,000 to 250,000	16.10	8.05	3.05	4.60	1.55	13.00	1.30	1.56	5.38	5.17	2.00



### Interchangeable Products

- VPG® REVERE
- 5103\***
- ARTECH®
- 70210**
- METTLER TOLEDO®
- SLD 430**
- \*Cells are uncoated

### Weigh Module Available

- RICE LAKE WEIGHING SYSTEMS
- EZ Mount 1**

### Specifications

- Full Scale Output:** 3.0 mV/V
- Output Resistance:** 5 to 10 k: 703 (± 4) ohm  
20 to 150 k: 700 (± 5) ohm  
200 to 250 k: 700 (± 5) ohm
- Input Resistance:** 5 to 10 k: 700 (± 14) ohm  
20 to 150 k: 770 (± 10) ohm  
200 to 250 k: 700 (± 14) ohm
- Material/Finish:** Alloy steel, coated
- Temperature:** Compensated: 14 °F to 104 °F (-10 °C to 40 °C)  
Operating: 0 °F to 150 °F (-18 °C to 65 °C)
- Seal Type:** Environmentally sealed, IP67
- Safe Overload:** 150% full scale
- Safe Sideload:** 100% full scale
- Rated Excitation:** 5 to 10 VDC (15 V maximum)
- Combined Error:** 0.02% full scale
- Insulation Resistance:** 5,000 megohm
- Deflection at Capacity:** 5,000 lb: 0.02 in  
10,000 lb: 0.025 in  
20,000 lb: 0.042 in  
30,000 to 50,000 lb: 0.02 in  
60,000 lb: 0.025 in  
100,000 lb: 0.02 in
- Cable Length:** 30 ft
- Cable Diameter:** 5,000 to 20,000 lb: 0.200 in  
30,000 to 250,000 lb: 0.305 in  
Polyurethane jacket
- Cable Color Code:** Red +Excitation  
Black -Excitation  
Green +Signal  
White -Signal
- Warranty:** Two-year limited
- Approvals:** cFMus  
NTEP 21-064



Picture is a representation of actual product.

**Approvals**

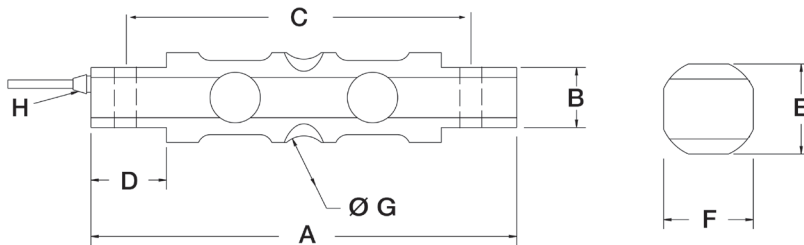


**Order Information**

Load Rating	Part #	Est. Weight	Price
5,000 lb	194021	5 lb	\$1,160.00
10,000 lb	194022	5 lb	\$1,160.00
20,000 lb	194023	5 lb	\$1,160.00
30,000 lb	194024	20 lb	\$1,585.00
40,000 lb	194025	20 lb	\$1,585.00
50,000 lb	194026	20 lb	\$1,585.00
60,000 lb	194027	20 lb	\$1,585.00

**Dimensions**

Rated Capacity	A	B	C	D	E	F	ØG	H
lb/in								
5,000 to 20,000	8.12	1.14	6.88	1.44	1.71	1.71	1.00	1/4-18 NPT
30,000 to 60,000	10.25	2.38	8.50	1.88	3.03	3.03	2.00	1/2-14 NPT



**Interchangeable Products**

VPG® REVERE  
**9103**

**Weigh Module Available**

RICE LAKE WEIGHING SYSTEMS  
**EZ Mount 1 SS**

**Specifications**

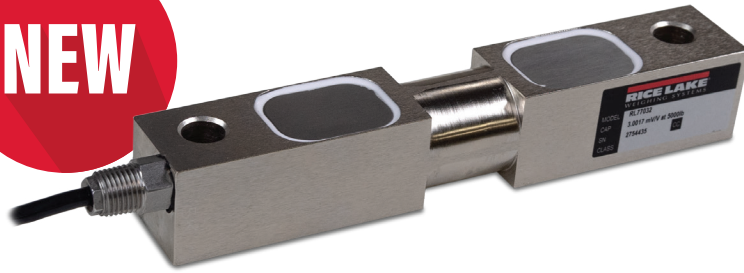
- Full Scale Output:**  
3.0 mV/V
- Output Resistance:**  
700 (± 5) ohm
- Input Resistance:**  
800 (± 30) ohm
- Material/Finish:**  
Stainless steel
- Temperature:**  
Operating:  
0 °F to 150 °F (-18 °C to 65 °C)
- Seal Type:**  
Welded-seal, IP68
- Safe Overload:**  
150% full scale
- Rated Excitation:**  
5 to 10 VDC
- Nonlinearity:**  
0.03% full scale
- Hysteresis:**  
0.5% full scale
- Insulation Resistance:**  
5,000 megohm
- Cable Length:**  
25 ft
- Cable Color Code:**  
Red +Excitation  
Black -Excitation  
Green +Signal  
White -Signal
- Warranty:**  
Two-year limited
- Approvals:**  
cFMus  
NTEP 21-064

**LOAD CELLS / WEIGH MODULES**

# RL77032

Alloy Steel, Environmentally Sealed, IP67

LOAD CELLS /  
WEIGH MODULES



Picture is a representation of actual product.

### Approvals

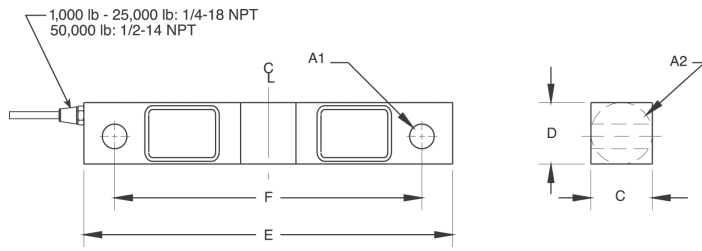


### Order Information

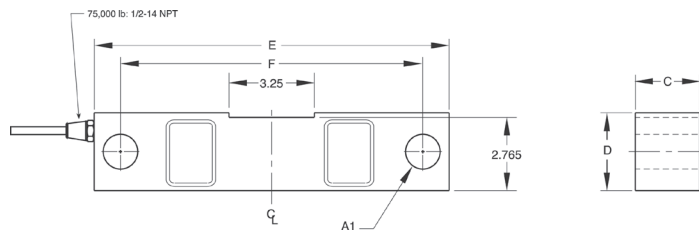
Load Rating	Part #	Est. Weight	Price
1,000 lb	221536	4 lb	\$555.00
1,500 lb	221537	4 lb	\$555.00
2,000 lb	221538	4 lb	\$555.00
2,500 lb	221539	4 lb	\$555.00
3,000 lb	221540	4 lb	\$555.00
5,000 lb	221541	4 lb	\$555.00
10,000 lb	221542	7 lb	\$635.00
15,000 lb	221543	7 lb	\$635.00
20,000 lb	221544	7 lb	\$635.00
25,000 lb	221545	7 lb	\$635.00
50,000 lb	221546	25 lb	\$980.00
75,000 lb	221547	27 lb	\$980.00

### Dimensions

Rated Capacity	A1	A2	C	D	E	F
lb/in						
1,000 to 50,000	0.50	1.25	1.25	1.25	7.50	6.25
10,000 to 25,000	0.81	1.99	1.44	1.94	8.75	7.50
50,000	1.31	3.00	2.44	2.94	13.50	11.50
75,000	1.31	-	2.44	2.94	13.50	11.50



1,000-50,000lb



75,000lb

### Interchangeable Products

RICE LAKE WEIGHING SYSTEMS  
**RL75016**  
VPG® SENSORTRONICS®  
**65016**

### Weigh Module Available

RICE LAKE WEIGHING SYSTEMS  
**RL1600 Series**

### Specifications

**Full Scale Output:**

3.0 mV/V

**Output Resistance:**

700 (± 5) ohm

**Input Resistance:**

770 (± 10) ohm

**Material/Finish:**

High-alloy steel, nickel plated

**Temperature:**

Operating:  
0 °F to 150 °F (-18 °C to 65 °C)

**Seal Type:**

Environmentally sealed, IP67

**Safe Overload:**

150% full scale

**Safe Sideload:**

100% full scale

**Rated Excitation:**

5 to 10 VDC

**Nonlinearity:**

0.03% full scale

**Hysteresis:**

0.02% full scale

**Deflection at Capacity:**

1,000 to 2,500 lb: 0.01 in  
5,000 lb: 0.015 in  
10,000 to 20,000 lb: 0.022 in  
25,000 lb: 0.036 in  
50,000 lb: 0.052 in  
75,000 lb: 0.07 in

**Insulation Resistance:**

5,000 megohm

**Cable Length:**

25 ft  
Polyurethane jacket

**Cable Color Code:**

Red +Excitation  
Black -Excitation  
Green +Signal  
White -Signal

**Warranty:**

Two-year limited

**Approvals:**

cFMus





Picture is a representation of actual product.

**Approvals**

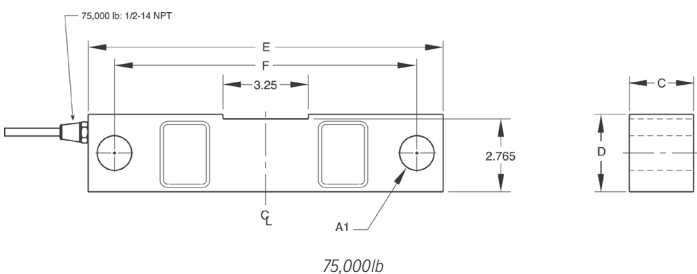
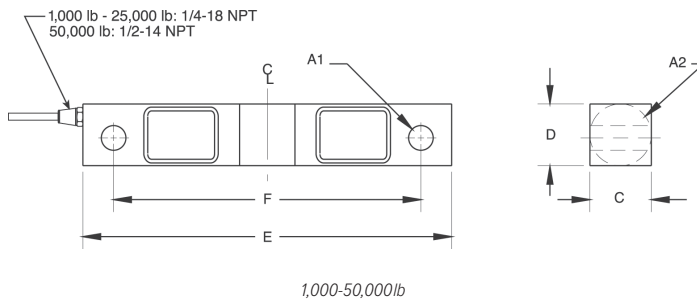


**Order Information**

Load Rating	Part #	Est. Weight	Price
1,000 lb	221548	4 lb	\$580.00
1,500 lb	221549	4 lb	\$580.00
2,000 lb	221550	4 lb	\$580.00
2,500 lb	221551	4 lb	\$580.00
5,000 lb	221552	4 lb	\$580.00
10,000 lb	221553	7 lb	\$660.00
15,000 lb	221554	7 lb	\$660.00
20,000 lb	221555	7 lb	\$660.00
25,000 lb	221556	7 lb	\$660.00
50,000 lb	221557	25 lb	\$1,298.00
75,000 lb	221558	27 lb	\$1,298.00

**Dimensions**

Rated Capacity	A1	A2	C	D	E	F
lb/in						
1,000 to 50,000	0.50	1.25	1.25	1.25	7.50	6.25
10,000 to 25,000	0.81	1.99	1.44	1.94	8.75	7.50
50,000	1.31	3.00	2.44	2.94	13.50	11.50
75,000	1.31	-	2.44	2.94	13.50	11.50



**Interchangeable Products**

RICE LAKE WEIGHING SYSTEMS

**RL75016SS**

RICE LAKE WEIGHING SYSTEMS

**RL77032SS HE**

RICE LAKE WEIGHING SYSTEMS

**RL75016S-W**

VPG® SENSORTRONICS®

**65016**

**Weigh Module Available**

RICE LAKE WEIGHING SYSTEMS

**RL1600 Series**

**Specifications**

**Full Scale Output:**  
3.0 mV/V

**Output Resistance:**  
700 (± 5) ohm

**Input Resistance:**  
770 (± 10) ohm

**Material/Finish:**  
Stainless steel

**Temperature:**  
Operating:  
0 °F to 150 °F (-18 °C to 65 °C)

**Seal Type:**  
Environmentally sealed, IP67

**Safe Overload:**  
150% full scale

**Safe Sideload:**  
100% full scale

**Rated Excitation:**  
5 to 10 VDC

**Nonlinearity:**  
0.07% full scale

**Hysteresis:**  
0.02% full scale

**Deflection at Capacity:**  
1,000 to 2,500 lb: 0.01 in  
5,000 lb: 0.015 in  
10,000 to 20,000 lb: 0.022 in  
25,000 lb: 0.036 in  
50,000 lb: 0.052 in  
75,000 lb: 0.07 in

**Insulation Resistance:**  
5,000 megohm

**Cable Length:**  
25 ft  
Polyurethane

**Cable Color Code:**  
Red +Excitation  
Black -Excitation  
Green +Signal  
White -Signal

**Warranty:**  
Two-year limited

**Approvals:**  
cFMus

# RL77032SS HE

Stainless Steel, Hermetically Sealed, IP69K

LOAD CELLS / WEIGH MODULES



Picture is a representation of actual product.

## Approvals

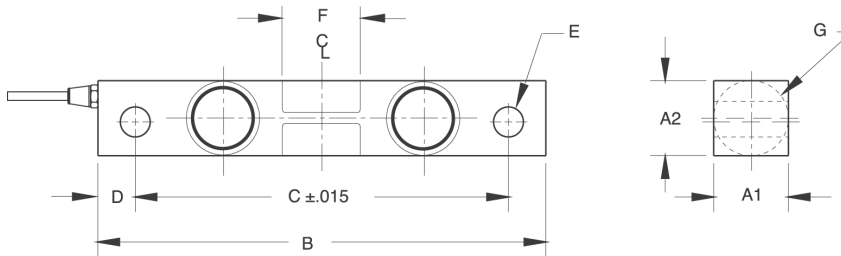


## Order Information

Load Rating	Part #	Est. Weight	Price
1,000 lb	221559	4 lb	\$735.00
1,500 lb	221560	4 lb	\$735.00
2,000 lb	221561	4 lb	\$735.00
2,500 lb	221562	4 lb	\$735.00
5,000 lb	221563	4 lb	\$735.00
10,000 lb	221564	7 lb	\$830.00
15,000 lb	221565	7 lb	\$830.00
20,000 lb	221566	7 lb	\$830.00
25,000 lb	221567	7 lb	\$830.00

## Dimensions

Rated Capacity	A1	A2	B	C	D	E	F	G	CONDUIT ADAPTER
lb/in									
1,000 to 5,000	1.22	1.22	7.50	6.25	0.62	0.50	1.12	1.25	1/2-14 NPT
10,000 to 25,000	1.44	1.94	8.75	7.50	0.62	0.81	1.62	1.99	1/2-14 NPT



## Interchangeable Products

RICE LAKE WEIGHING SYSTEMS  
**RL75016WHE**  
 VPG® SENSORTRONICS®  
**65016WH**

## Weigh Module Available

RICE LAKE WEIGHING SYSTEMS  
**RL1600 Series**

## Specifications

### Full Scale Output:

3.0 mV/V

### Output Resistance:

700 (± 5) ohm

### Input Resistance:

770 (± 10) ohm

### Material/Finish:

Stainless steel

### Temperature:

Operating:  
 0 °F to 150 °F (-18 °C to 65 °C)

### Seal Type:

Hermetically sealed, IP69K

### Safe Overload:

150% full scale

### Safe Sideload:

100% full scale

### Rated Excitation:

5 to 10 VDC

### Nonlinearity:

0.03% full scale

### Hysteresis:

0.02% full scale

### Deflection at Capacity:

1,000 lb: 0.01 in  
 5,000 lb: 0.015 in  
 10,000 to 20,000 lb: 0.022 in  
 25,000 lb: 0.036 in  
 50,000 lb: 0.052 in  
 75,000 lb: 0.07 in

### Insulation Resistance:

5,000 megohm

### Cable Length:

25 ft  
 Polyurethane jacket

### Cable Color Code:

Red +Excitation  
 Black -Excitation  
 Green +Signal  
 White -Signal

### Warranty:

Two-year limited

### Approvals:

cFMus

Limited Stock Available

DOUBLE-ENDED BEAM

**RL75016**

Alloy Steel, Environmentally Sealed, IP67

LOAD CELLS / WEIGH MODULES



Picture is a representation of actual product.

Approvals



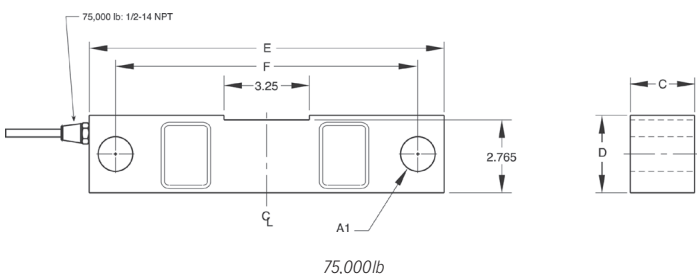
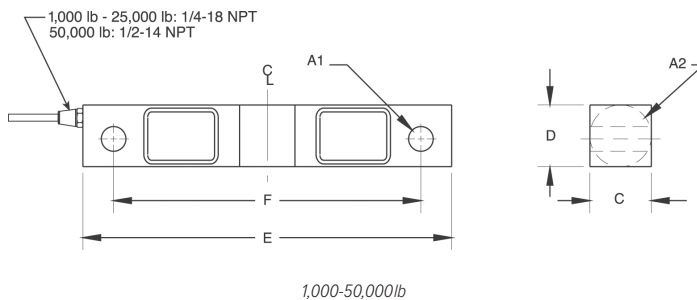
Order Information

Load Rating	Part #	Est. Weight	Price
1,000 lb	17300	4 lb	\$556.00
1,500 lb	17302	4 lb	\$556.00
2,000 lb	17304	4 lb	\$556.00
2,500 lb	17306	4 lb	\$556.00
3,000 lb	17308	4 lb	\$556.00
5,000 lb	17309	4 lb	\$556.00
10,000 lb	17311	7 lb	\$636.00
15,000 lb	17313	7 lb	\$636.00
20,000 lb	17315	7 lb	\$636.00
25,000 lb	17317	7 lb	\$636.00
50,000 lb	17319	25 lb	\$980.00
75,000 lb*	25357	27 lb	\$980.00

\*75,000lb capacity has a square center

Dimensions

Rated Capacity	A1	A2	C	D	E	F
lb/in						
1,000 to 5,000	0.50	1.25	1.25	1.25	7.50	6.25
10,000 to 25,000	0.81	1.99	1.44	1.94	8.75	7.50
50,000	1.31	3.00	2.44	2.94	13.50	11.50
75,000	1.31	—	2.44	2.94	13.50	11.50



Interchangeable Products

RICE LAKE WEIGHING SYSTEMS

**RL77032**

VPG® CELTRON®

**DSR**

VPG® SENSORTRONICS®

**65016**

VPG® REVERE

**5203**

Weigh Module Available

RICE LAKE WEIGHING SYSTEMS

**RL1600 Series**

Specifications

**Full Scale Output:**

3.0 mV/V

**Output Resistance:**

700 (± 5) ohm

**Input Resistance:**

770 (± 10) ohm

**Material/Finish:**

High-alloy steel, nickel plated

**Temperature:**

Operating:  
0 °F to 150 °F (-18 °C to 65 °C)

**Seal Type:**

Environmentally sealed, IP67

**Safe Overload:**

150% full scale

**Safe Sideload:**

100% full scale

**Rated Excitation:**

5 to 10 VDC (15 V maximum)

**Nonlinearity:**

0.03% full scale

**Hysteresis:**

0.02% full scale

**Insulation Resistance:**

5,000 megohm

**Deflection at Capacity:**

1,000 to 3,000 lb: 0.01 in  
5,000 lb: 0.015 in  
10,000 to 20,000 lb: 0.022 in  
25,000 lb: 0.036 in  
50,000 lb: 0.052 in  
75,000 lb: 0.07 in

**Cable Length:**

25 ft

**Cable Diameter:**

1,000 to 25,000 lb: 0.200 in  
50,000 to 75,000 lb: 0.305 in  
Polyurethane jacket

**Cable Color Code:**

Red +Excitation  
Black -Excitation  
Green +Signal  
White -Signal

**Warranty:**

Two-year limited

**Approvals:**

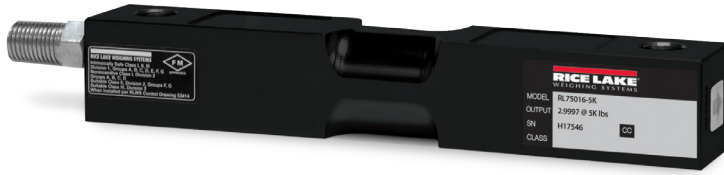
cFMus

DOUBLE-ENDED BEAM

# RL75016 MLC Coated

Alloy Steel, Environmentally Sealed, IP67

LOAD CELLS /  
WEIGH MODULES



Picture is a representation of actual product.

## Approvals



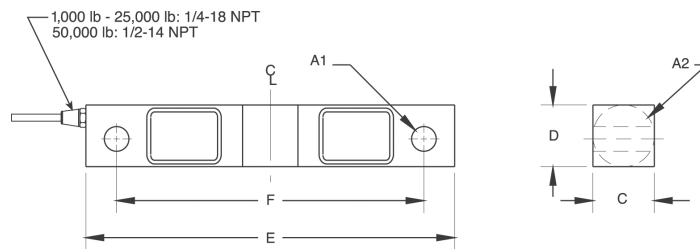
## Order Information

Load Rating	Part #	Est. Weight	Price
1,000 lb	187058	4 lb	\$583.00
1,500 lb	187059	4 lb	\$583.00
2,000 lb	187060	4 lb	\$583.00
2,500 lb	187061	4 lb	\$583.00
3,000 lb	187062	4 lb	\$583.00
5,000 lb	187063	4 lb	\$583.00
10,000 lb	187064	7 lb	\$662.00
15,000 lb	187065	7 lb	\$662.00
20,000 lb	187066	7 lb	\$662.00
25,000 lb	187067	7 lb	\$662.00
50,000 lb	187068	25 lb	\$1,007.00
75,000 lb*	187069	27 lb	\$1,007.00

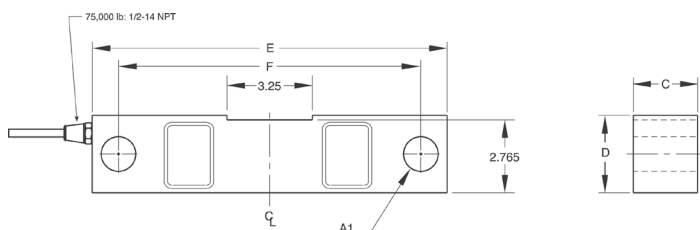
\*75,000lb capacity has a square center

## Dimensions

Rated Capacity	A1	A2	C	D	E	F
lb/in						
1,000 to 5,000	0.50	1.25	1.25	1.25	7.50	6.25
10,000 to 25,000	0.81	1.99	1.44	1.94	8.75	7.50
50,000	1.31	3.00	2.44	2.94	13.50	11.50
75,000	1.31	—	2.44	2.94	13.50	11.50



1,000 to 50,000lb



75,000lb

## Interchangeable Products

RICE LAKE WEIGHING SYSTEMS

**RL75016\*** (Alloy)

VPG® CELTRON®

**DSR\*** (Alloy)

VPG® SENSORTRONICS®

**65016\*** (Alloy)

## Weigh Module Available

RICE LAKE WEIGHING SYSTEMS

**RL1600 Series**

\*Cells are uncoated

## Specifications

**Full Scale Output:**

3.0 mV/V

**Output Resistance:**

700 (± 5) ohm

**Input Resistance:**

770 (± 10) ohm

**Material/Finish:**

Alloy steel, coated

**Temperature:**

Operating:  
0 °F to 150 °F (-18 °C to 65 °C)

**Seal Type:**

Environmentally sealed, IP67

**Safe Overload:**

150% full scale

**Safe Sideload:**

100% full scale

**Rated Excitation:**

5 to 10 VDC (15 V maximum)

**Nonlinearity:**

0.03% full scale

**Hysteresis:**

0.02% full scale

**Insulation Resistance:**

5,000 megohm

**Cable Length:**

25 ft

**Cable Color Code:**

Red +Excitation  
Black -Excitation  
Green +Signal  
White -Signal

**Warranty:**

Two-year limited

**Approvals:**

cFMus

Limited Stock Available

# DOUBLE-ENDED BEAM RL75016SS

Stainless Steel, Environmentally Sealed, IP67

LOAD CELLS /  
WEIGH MODULES



Picture is a representation of actual product.

### Approvals



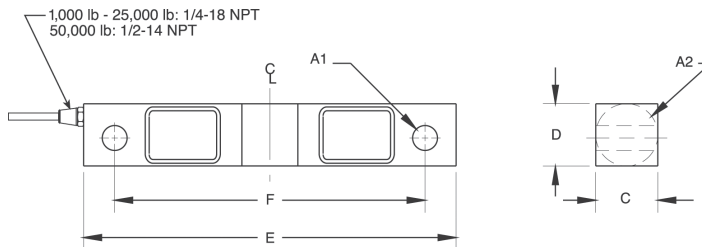
### Order Information

Load Rating	Part #	Est. Weight	Price
1,000 lb	17301	4 lb	\$583.00
1,500 lb	17303	4 lb	\$583.00
2,000 lb	17305	4 lb	\$583.00
2,500 lb	17307	4 lb	\$583.00
5,000 lb	17310	4 lb	\$583.00
10,000 lb	17312	7 lb	\$662.00
15,000 lb	17314	7 lb	\$662.00
20,000 lb	17316	7 lb	\$662.00
25,000 lb	17318	7 lb	\$662.00
50,000 lb	17320	25 lb	\$1,298.00
75,000 lb*	25356	27 lb	\$1,298.00

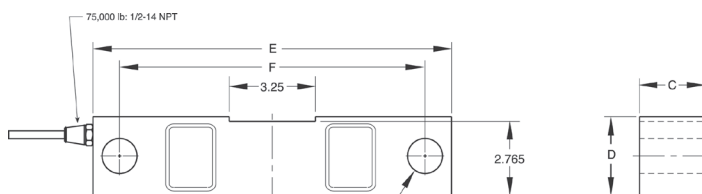
\*75,000lb capacity has a square center

### Dimensions

Rated Capacity lb/in	A1	A2	C	D	E	F
1,000 to 5,000	0.50	1.25	1.25	1.25	7.50	6.25
10,000 to 25,000	0.81	1.99	1.44	1.94	8.75	7.50
50,000	1.31	3.00	2.44	2.94	13.50	11.50
75,000	1.31	—	2.44	2.94	13.50	11.50



1,000 to 50,000lb



75,000lb

### Interchangeable Products

RICE LAKE WEIGHING SYSTEMS

**RL77032SS**

RICE LAKE WEIGHING SYSTEMS

**RL75016WHE\***

VPG® SENSORTRONICS®

**65016W**

VPG SENSORTRONICS

**65016WH\***

VPG® REVERE

**9203**

### Weigh Module Available

RICE LAKE WEIGHING SYSTEMS

**RL1600 Series**

### Specifications

#### Full Scale Output:

3.0 mV/V

#### Output Resistance:

700 (± 5) ohm

#### Input Resistance:

770 (± 10) ohm

#### Material/Finish:

Stainless steel

#### Temperature:

Operating:  
0 °F to 150 °F (-18 °C to 65 °C)

#### Seal Type:

Environmentally sealed, IP67

#### Safe Overload:

150% full scale

#### Safe Sideload:

100% full scale

#### Rated Excitation:

5 to 10 VDC (15 V maximum)

#### Nonlinearity:

0.07% full scale

#### Hysteresis:

0.02% full scale

#### Insulation Resistance:

5,000 megohm

#### Deflection at Capacity:

1,000 to 3,000 lb: 0.01 in  
5,000 lb: 0.015 in  
10,000 to 20,000 lb: 0.022 in  
25,000 lb: 0.036 in  
50,000 lb: 0.052 in  
75,000 lb: 0.07 in

#### Cable Length:

25 ft

#### Cable Diameter:

1,000 to 25,000 lb: 0.200 in  
50,000 to 75,000 lb: 0.305 in  
Polyurethane jacket

#### Cable Color Code:

Red +Excitation  
Black -Excitation  
Green +Signal  
White -Signal

#### Warranty:

Two-year limited

#### Approvals:

cFMus

# RL75016SS-W

Stainless Steel, Welded Seal, IP67

LOAD CELLS /  
WEIGH MODULES



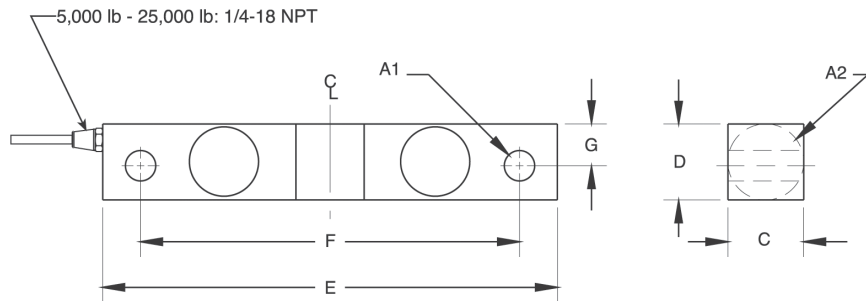
Picture is a representation of actual product.

## Order Information

Load Rating	Part #	Est. Weight	Price
5,000 lb	168115	4 lb	\$630.00
10,000 lb	168116	7 lb	\$715.00
15,000 lb	168117	7 lb	\$715.00
20,000 lb	168118	7 lb	\$715.00
25,000 lb	168119	7 lb	\$715.00

## Dimensions

Rated Capacity	A1	A2	C	D	E	F	G
lb/in							
5,000	0.50	1.25	1.25	1.25	7.50	6.25	0.69
10,000 to 25,000	0.81	1.99	1.44	1.94	8.75	7.50	0.96



## Interchangeable Products

RICE LAKE WEIGHING SYSTEMS

**RL77032SS HE**

RICE LAKE WEIGHING SYSTEMS

**RL75016SS**

RICE LAKE WEIGHING SYSTEMS

**RL75016WHE**

## Specifications

**Full Scale Output:**

3.0 mV/V

**Output Resistance:**

700 (± 5) ohm

**Input Resistance:**

770 (± 10) ohm

**Material/Finish:**

Stainless steel

**Temperature:**

Operating:

0 °F to 150 °F (-18 °C to 65 °C)

**Seal Type:**

Welded-seal, IP67

**Safe Overload:**

100% full scale

**Rated Excitation:**

5 to 10 VDC (15 V max)

**Hysteresis:**

0.02% full scale

**Linearity:**

0.03% full scale

**Cable Length:**

25 ft

**Cable Color Code:**

Red +Excitation

Black -Excitation

Green +Signal

White -Signal

**Warranty:**

Two-year limited

Limited Stock Available

# DOUBLE-ENDED BEAM RL75016WHE

Stainless Steel, Hermetically Sealed, IP69K

LOAD CELLS / WEIGH MODULES



Picture is a representation of actual product.

## Approvals

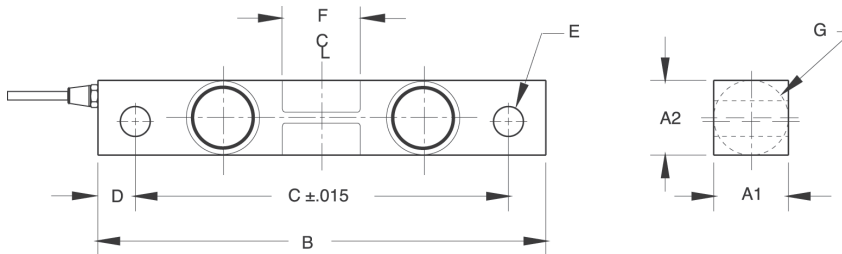


## Order Information

Load Rating	Part #	Est. Weight	Price
1,000 lb	67043	4 lb	\$736.00
1,500 lb	67044	4 lb	\$736.00
2,000 lb	67045	4 lb	\$736.00
2,500 lb	67046	4 lb	\$736.00
5,000 lb	67047	4 lb	\$736.00
10,000 lb	67048	7 lb	\$832.00
15,000 lb	67049	7 lb	\$832.00
20,000 lb	67050	7 lb	\$832.00
25,000 lb	67051	7 lb	\$832.00

## Dimensions

Rated Capacity	A1	A2	B	C	D	E	F	G	CONDUIT ADAPTER
lb/in									
1,000 to 5,000	1.22	1.22	7.50	6.25	0.62	0.50	1.12	1.25	1/2-14 NPT
10,000 to 25,000	1.44	1.94	8.75	7.50	0.62	0.81	1.62	1.99	1/2-14 NPT



## Interchangeable Products

RICE LAKE WEIGHING SYSTEMS

**RL77032SS HE**

RICE LAKE WEIGHING SYSTEMS

**RL75016SS\***

RICE LAKE WEIGHING SYSTEMS

**RL75016SS-W\***

VPG® SENSORTRONICS®

**65016W\***

VPG SENSORTRONICS

**65016WH**

## Weigh Module Available

RICE LAKE WEIGHING SYSTEMS

**RL1600 Series**

\*Welded seal

## Specifications

### Full Scale Output:

3.0 mV/V

### Output Resistance:

699 to 707 ohm

### Input Resistance:

686 to 714 ohm

### Material/Finish:

Stainless steel

### Temperature:

Operating range  
0 °F to 150 °F (-18 °C to 65 °C)

### Seal Type:

Hermetically sealed, IP69K

### Safe Overload:

150% full scale

### Safe Sideload:

100% full scale

### Rated Excitation:

5 to 10 VDC (15 V maximum)

### Insulation Resistance:

2,000 megohm

### Cable Length:

25 ft

### Cable Diameter:

0.200 in  
Polyurethane jacket

### Cable Color Code:

Red +Excitation  
Black -Excitation  
Green +Signal  
White -Signal

### Warranty:

Two-year limited

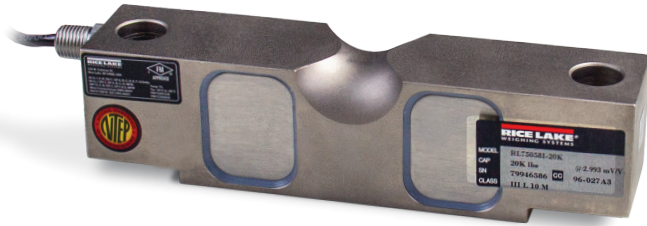
### Approvals:

cFMus

# RL75058I for Rice Lake Coil Scale

Alloy Steel, Environmentally Sealed, NTEP Certified 1:5,000 Class III Multiple Cell, IP67

LOAD CELLS / WEIGH MODULES



Picture is a representation of actual product.

### Approvals

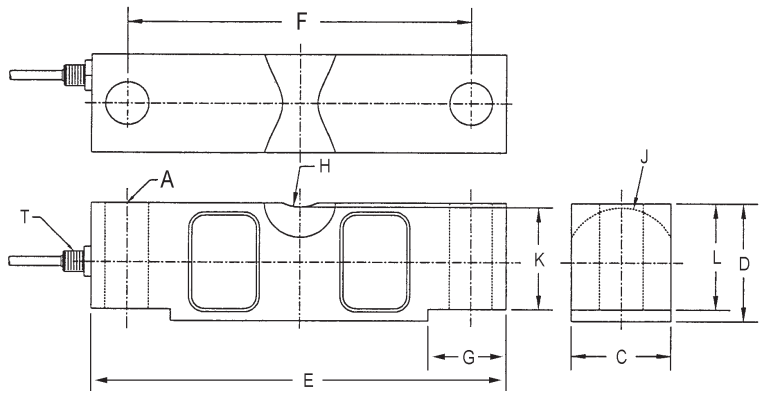


### Order Information

Load Rating	Part #	Est. Weight	Price
20,000 lb	121439	8 lb	\$673.00
25,000 lb	121440	8 lb	\$673.00
40,000 lb	121441	13 lb	\$805.00
50,000 lb	121442	19 lb	\$885.00
60,000 lb	121443	19 lb	\$885.00
75,000 lb	121444	19 lb	\$885.00

### Dimensions

Rated Capacity	A	C	D	E	F	G	H	J	K	L	T
lb/in											
20,000 to 25,000	0.68	1.69	1.94	7.75	6.50	1.38	0.75	0.90	1.63	1.70	1/4-18 NPT
40,000	0.81	1.94	2.44	10.25	8.50	1.93	1.00	1.12	2.00	2.10	1/4-18 NPT
50,000 to 75,000	1.06	2.44	2.94	10.25	8.50	1.93	1.00	1.37	2.54	2.65	1/2-14 NPT



### Specifications

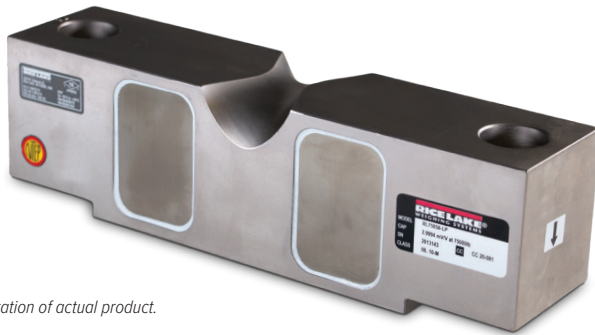
- Full Scale Output:**  
3.0 mV/V
- Output Resistance:**  
699 to 707 ohm
- Input Resistance:**  
686 to 714 ohm
- Material/Finish:**  
High-alloy steel, nickel plated
- Temperature:**  
Compensated:  
14 °F to 104 °F/-10 °C to 40 °C  
Operating:  
0 °F to 150 °F/-18 °C to 65 °C
- Seal Type:**  
Environmentally sealed, IP67
- Safe Overload:**  
150% full scale
- Safe Sideload:**  
100% full scale
- Rated Excitation:**  
5 to 10 VDC (15 V maximum)
- Combined Error:**  
0.02% full scale
- Insulation Resistance:**  
5,000 megohm
- Cable Length:**  
35 ft
- Cable Diameter:**  
20,000 lb: 0.200 in  
40,000 to 75,000 lb: 0.305 in  
Polyurethane jacket
- Cable Color Code:**  
Red +Excitation  
Black -Excitation  
Green +Signal  
White -Signal
- Warranty:**  
Two-year limited
- Approvals:**  
cFMus  
NTEP 98-143





Alloy Steel, Environmentally Sealed, NTEP Certified 1:10,000 Class IIIIL Multiple Cell, IP67

# DOUBLE-ENDED BEAM RL75058-LP



Picture is a representation of actual product.

### Approvals



### Order Information

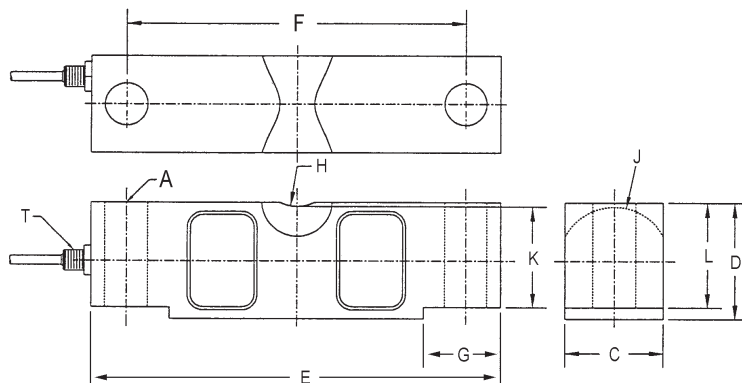
Load Rating	Part #	Est. Weight	Price
<b>NTEP Certified 35 ft Cable</b>			
20,000 lb	197770	8 lb	\$673.00
25,000 lb	197771	8 lb	\$673.00
40,000 lb	197772	13 lb	\$805.00
50,000 lb	197773	19 lb	\$885.00
60,000 lb	197774	19 lb	\$885.00
75,000 lb	197775	19 lb	\$885.00
100,000 lb	197776	40 lb	\$1,669.00
125,000 lb	197777	40 lb	\$1,669.00
<b>Non-NTEP Certified 35 ft Cable</b>			
10,000 lb	197769	8 lb	\$652.00
<b>NTEP Certified 60 ft Cable</b>			
50,000 lb	197778	20 lb	\$995.00
75,000 lb**	197781	20 lb	\$995.00
75,000 lb*	197782	20 lb	\$1,100.00
125,000 lb	197779	40 lb	\$1,800.00
<b>NTEP Certified 100 ft Cable</b>			
75,000 lb	197780	22 lb	\$1,100.00

\*Stainless steel overbraided cable

\*\*Used in Rice Lake truck scales

### Dimensions

Rated Capacity	A	C	D	E	F	G	H	J	K	L	T
10,000 to 25,000	0.68	1.69	1.94	7.75	6.50	1.38	0.75	0.90	1.63	1.70	1/4-18 NPT
40,000	0.81	1.94	2.44	10.25	8.50	1.93	1.00	1.12	2.00	2.10	1/4-18 NPT
50,000 to 75,000	1.06	2.44	2.94	10.25	8.50	1.93	1.00	1.37	2.54	2.65	1/2-14 NPT
100,000 to 125,000	1.62	2.90	3.86	15.25	12.75	3.13	1.50	1.80	3.30	3.43	1/2-14 NPT



### Interchangeable Products

VPG® SENSORTRONICS®

**65058A**

VPG® CELTRON®

**CLB**

ARTECH®

**70210**

ARTECH®

**70310**

### Weigh Module Available

RICE LAKE WEIGHING SYSTEMS

**RL2100HE**

RICE LAKE WEIGHING SYSTEMS

**MVS**

### Specifications

**Full Scale Output:**

3.0 mV/V

**Output Resistance:**

700 (± 5) ohm

**Input Resistance:**

770 (± 10) ohm

**Material/Finish:**

High-alloy steel, nickel plated

**Temperature:**

Compensated:

14 °F to 104 °F (-10 °C to 40 °C)

Operating:

0 °F to 150 °F (-18 °C to 65 °C)

**Seal Type:**

Environmentally sealed, IP67

**Safe Overload:**

150% full scale

**Safe Sideload:**

100% full scale

**Rated Excitation:**

5 to 10 VDC (15 V maximum)

**Combined Error:**

0.02% full scale

**Insulation Resistance:**

5,000 megohm

**Cable Length:**

35 ft

60 ft

100 ft

**Cable Diameter:**

10,000 to 25,000 lb: 0.200 in

40,000 to 125,000 lb: 0.305 in

Polyurethane jacket

**Cable Color Code:**

Red +Excitation

Black -Excitation

Green +Signal

White -Signal

**Warranty:**

Two-year limited

**Approvals:**

cFMus

NTEP 20-081

LOAD CELLS / WEIGH MODULES

# RL75058S-LP

Stainless Steel, Hermetically Sealed, NTEP Certified 1:10,000 Class IIII Multiple Cell, IP68/69K



LOAD CELLS / WEIGH MODULES



Picture is a representation of actual product.

### Approvals

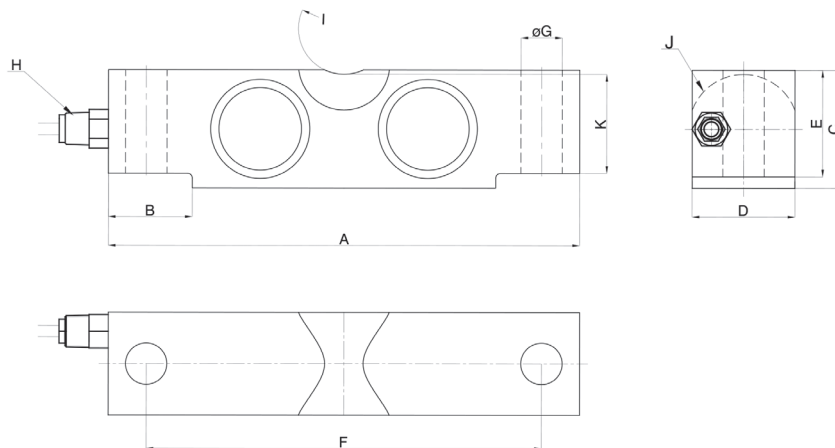


### Order Information

Load Rating	Part #	Est. Weight	Price
<b>NTEP Certified 35 ft Cable</b>			
20,000 lb	197797	8 lb	\$927.00
25,000 lb	197798	8 lb	\$927.00
40,000 lb	198430	13 lb	\$1,160.00
50,000 lb	197799	19 lb	\$1,160.00
60,000 lb	197800	19 lb	\$1,160.00
75,000 lb	197801	19 lb	\$1,160.00
100,000 lb	197803	40 lb	\$1,895.00
125,000 lb	197804	40 lb	Consult
<b>Non-NTEP Certified 35 ft Cable</b>			
10,000 lb	197796	8 lb	\$864.00
<b>NTEP Certified 60 ft Cable</b>			
75,000 lb	197802	20 lb	\$1,240.00

### Dimensions

Rated Capacity	A	B	C	D	E	F	ØG	H	I	J	K
lb/in											
10,000 to 25,000	7.75	1.38	1.94	1.69	1.70	6.50	0.68	1/4-18 NPT	R19.1	R22.9	1.63
40,000	10.25	1.93	2.44	1.94	2.10	8.50	0.81	1/4-18 NPT	R25.4	R28.5	2.00
50,000 to 75,000	10.25	1.93	2.94	2.44	2.65	8.50	1.06	1/2-14 NPT	R25.4	R34.8	2.54
100,000 to 125,000	15.25	3.13	3.86	2.90	3.43	12.75	1.62	1/2-14 NPT	R38.1	R45.7	3.30



### Interchangeable Products

VPG® SENSORTRONICS®  
**65058S**

### Weigh Module Available

RICE LAKE WEIGHING SYSTEMS  
**RL2100HE**  
RICE LAKE WEIGHING SYSTEMS  
**MVS**

### Specifications

- Full Scale Output:**  
3.0 mV/V
- Output Resistance:**  
700 (± 7) ohm
- Input Resistance:**  
700 (± 14) ohm
- Material/Finish:**  
Stainless steel
- Temperature:**  
Compensated:  
14 °F to 104 °F (-10 °C to 40 °C)  
Operating:  
0 °F to 150 °F (-18 °C to 65 °C)
- Seal Type:**  
Hermetically sealed, IP68/IP69K
- Safe Overload:**  
150% full scale
- Safe Sideload:**  
100% full scale
- Rated Excitation:**  
5 to 10 VDC (15 V maximum)
- Combined Error:**  
0.02% full scale
- Insulation Resistance:**  
5,000 megohm
- Cable Length:**  
35 ft  
60 ft
- Cable Diameter:**  
10,000 to 25,000 lb: 0.200 in  
40,000 to 125,000 lb: 0.305 in  
Polyurethane jacket
- Cable Color Code:**  
Red +Excitation  
Black -Excitation  
Green +Signal  
White -Signal
- Warranty:**  
Two-year limited
- Approvals:**  
cFMus  
NTEP 20-081

**Limited Stock Available**

DOUBLE-ENDED BEAM  
**RL75060S**

Stainless Steel, Welded Seal, NTEP Certified 1:5,000 III/1:10,000 Class IIIIL Multiple Cell, IP67



Picture is a representation of actual product.

**Approvals**

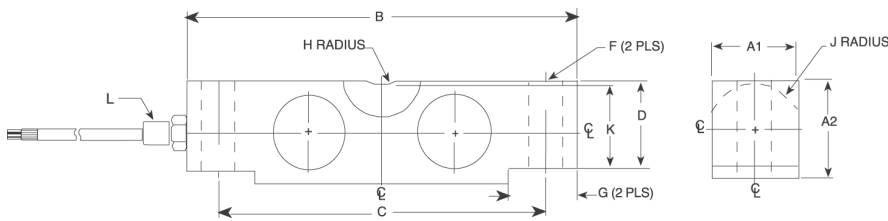


**Order Information**

Load Rating	Part #	Est. Weight	Price
<b>35 ft Cable</b>			
100,000 lb	<b>50564</b>	19 lb	\$2,115.00
<b>60 ft Cable</b>			
25,000 lb	<b>157931</b>	6 lb	\$1,050.00

**Dimensions**

Rated Capacity	F	A1	A2	B	C	G	H	J	K	D	L
lb/in											
25,000	0.68	1.69	1.94	7.75	6.50	1.38	0.75	0.90	1.63	1.70	1/4-18 NPT
100,000	1.06	2.44	3.44	10.25	8.50	1.93	1.00	1.37	2.54	2.65	1/2-14 NPT



**Weigh Module Available**

RICE LAKE WEIGHING SYSTEMS  
**MVS**  
RICE LAKE WEIGHING SYSTEMS  
**RL2100HE**

**Specifications**

**Full Scale Output:**  
3.0 mV/V

**Output Resistance:**  
699 to 707 ohm

**Input Resistance:**  
686 to 714 ohm

**Material/Finish:**  
Stainless steel

**Temperature:**  
Compensated:  
14 °F to 104 °F (-10 °C to 40 °C)  
Operating:  
0 °F to 150 °F (-18 °C to 65 °C)

**Seal Type:**  
Welded-seal, IP67

**Safe Overload:**  
150% full scale

**Safe Sideload:**  
100% full scale

**Rated Excitation:**  
5 to 10 VDC (15 V maximum)

**Combined Error:**  
0.02% full scale

**Insulation Resistance:**  
1,000 megohm

**Cable Length:**  
35 ft  
60 ft

**Cable Diameter:**  
25,000 lb: 0.200 in  
100,000 lb: 0.305 in  
Polyurethane jacket

**Cable Color Code:**  
Red +Excitation  
Black -Excitation  
Green +Signal  
White -Signal

**Warranty:**  
Two-year limited

**Approvals:**  
cFMus  
NTEP 96-027

LOAD CELLS /  
WEIGH MODULES

# RL75223

Alloy Steel, Welded Seal, NTEP Certified 1:10,000 Class IIIIL Multiple Cell, IP67

LOAD CELLS /  
WEIGH MODULES



Picture is a representation of actual product.

### Approvals

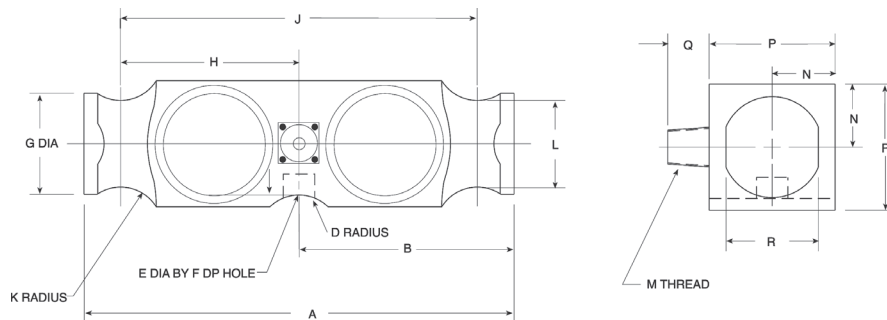


### Order Information

Load Rating	Part #	Est. Weight	Price
<b>40 ft Cable</b>			
50,000 lb	21611	20 lb	\$900.00
65,000 lb	21612	20 lb	\$900.00
100,000 lb	21613	20 lb	\$1,160.00
<b>60 ft Cable</b>			
50,000 lb	107583	20 lb	\$980.00

### Dimensions

Rated Capacity	A	B	D	E	F	G	H	J	K	L	M	N	P	Q	R
lb/in															
50,000 to 65,000	10.25	5.12	1.00	0.75	0.78	2.40	4.25	8.50	1.00	2.06	1/2-14 NPT	1.50	3.00	1.03	2.20
100,000	10.25	5.12	1.00	—	—	2.40	4.25	8.50	1.00	2.06	1/2-14 NPT	1.50	3.00	1.03	2.20



### Interchangeable Products

- VPG® REVERE  
**5223**
- VPG® SENSORTRONICS®  
**65040A-XX-1127W**
- ARTECH®  
**80210**
- THURMAN®  
**TSC 800**
- UNIBRIDGE®  
**DL9000**

### Weigh Module Available

RICE LAKE WEIGHING SYSTEMS  
**Translink™**

### Specifications

- Full Scale Output:**  
3.0 mV/V
- Output Resistance:**  
699 to 707 ohm
- Input Resistance:**  
686 to 714 ohm
- Material/Finish:**  
High-alloy steel
- Temperature:**  
Compensated:  
14 °F to 104 °F (-10 °C to 40 °C)  
Operating:  
0 °F to 150 °F (-18 °C to 65 °C)
- Seal Type:**  
Welded-seal, IP67
- Safe Overload:**  
150% full scale
- Safe Sideload:**  
100% full scale
- Rated Excitation:**  
5-10 VDC (15 V maximum)
- Combined Error:**  
0.03% full scale
- Non-repeatability:**  
0.01% full scale
- Insulation Resistance:**  
5,000 megohm
- Deflection at Capacity:**  
50,000 lb: 0.018 in  
65,000 lb: 0.022 in  
100,000 lb: 0.034 in
- Cable Length:**  
40 ft  
60 ft
- Cable Diameter:**  
0.305 in  
Polyurethane jacket
- Cable Color Code:**  
Red +Excitation  
Black -Excitation  
Green +Signal  
White -Signal
- Warranty:**  
Two-year limited
- Approvals:**  
cFMus  
NTEP 97-126

DOUBLE-ENDED BEAM  
**RLDB50000S**

Stainless Steel, Welded Seal, NTEP Certified 1:10,000 IILL Multiple Cell, IP67



Picture is a representation of actual product.

**Approvals**

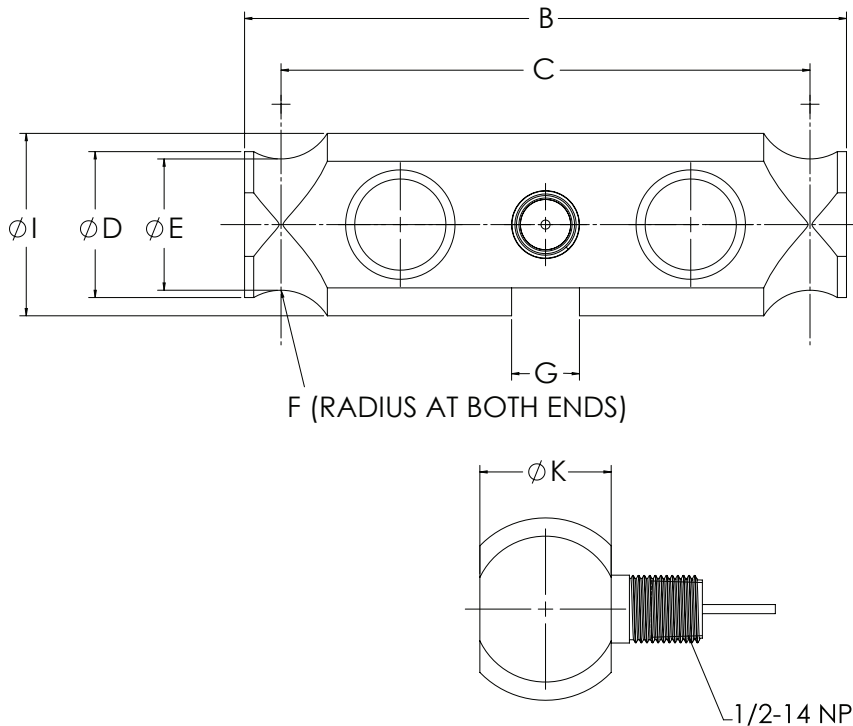


**Order Information**

Load Rating	Part #	Est. Weight	Price
50,000 lb	<b>91765</b>	10 lb	\$1,266.00

**Dimensions**

Rated Capacity	B	C	D	E	F	G	K	I
50,000 lb/in	8.25	7.25	2.00	1.76	0.75	0.93	1.80	2.50



**Interchangeable Products**

CARDINAL®  
DB50000S

**Specifications**

- Full Scale Output:**  
2.0 (± 0.1%) mV/V
- Output Resistance:**  
699 to 707 ohm
- Input Resistance:**  
686 to 714 ohm
- Material/Finish:**  
Stainless steel
- Temperature:**  
Compensated:  
14 °F to 104 °F (-10 °C to 40 °C)  
Operating:  
0 °F to 150 °F (-18 °C to 65 °C)
- Seal Type:**  
Welded-seal, IP67
- Safe Overload:**  
150% full scale
- Safe Sideload:**  
100% full scale
- Rated Excitation:**  
5 to 10 VDC (15 V maximum)
- Combined Error:**  
0.03% full scale
- Non-repeatability:**  
0.01% full scale
- Insulation Resistance:**  
5,000 megohm
- Deflection at Capacity:**  
0.01 in
- Cable Length:**  
35 ft
- Cable Diameter:**  
0.305 in  
Polyurethane jacket
- Cable Color Code:**  
Red +Excitation  
Black -Excitation  
White +Signal  
Green -Signal
- Warranty:**  
Two-year limited
- Approvals:**  
cFMus  
NTEP 92-018

LOAD CELLS / WEIGH MODULES

# RL75040

Alloy Steel, Environmentally Sealed, NTEP Certified 1:10,000 Class IIIIL Multiple Cell, IP67

LOAD CELLS /  
WEIGH MODULES



Picture is a representation of actual product.

### Approvals



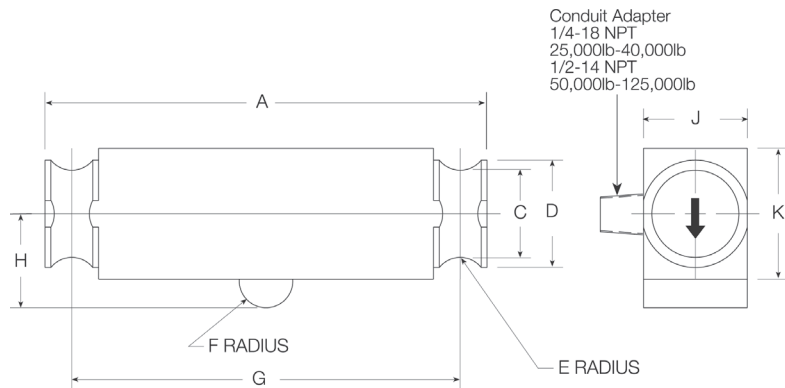
### Order Information

Load Rating	Part #	Est. Weight	Price
<b>35 ft Cable</b>			
25,000 lb	21614	11 lb	\$673.00
40,000 lb	21615	12 lb	\$805.00
50,000 lb LE	21616	17 lb	\$885.00
60,000 lb LE	21617	17 lb	\$885.00
75,000 lb	21618	17 lb	\$885.00
100,000 lb	21619	40 lb	\$1,669.00
125,000 lb	21620	40 lb	\$1,669.00
<b>40 ft Cable</b>			
50,000 lb SE	87253	11 lb	\$805.00
60,000 lb SE	53593	11 lb	\$805.00
<b>50 ft Cable</b>			
50,000 lb LE	21621	18 lb	\$917.00
60,000 lb LE	21622	18 lb	\$917.00
75,000 lb	40951	18 lb	\$917.00

SE=small envelope; LE=large envelope

### Dimensions

Rated Capacity	A	C	D	E	F	G	H	J	K
lb/in									
25,000 to 60,000 SE	8.25	1.63	2.00	0.50	0.50	7.25	1.75	1.94	2.44
50,000 LE to 75,000	11.50	1.70	2.20	0.75	1.00	10.00	2.00	1.94	2.94
100,000 to 125,000	14.50	2.44	3.20	1.00	1.50	12.50	2.75	2.90	3.86



### Interchangeable Products

VPG® SENSORTRONICS®

65040A

ARTECH®

80310

THURMAN®

TSC 840

SENTRAN

WD1

ANYLOAD

102TH

### Weigh Module Available

RICE LAKE WEIGHING SYSTEMS

Translink™

### Specifications

**Full Scale Output:**

3.0 mV/V

**Output Resistance:**

700 (± 5) ohm

**Input Resistance:**

770 (± 10) ohm

pn 87253 and 53593: 686 to 714 ohms

**Material/Finish:**

High-alloy steel, nickel plated

**Temperature:**

Compensated:

14 °F to 104 °F (-10 °C to 40 °C)

Operating:

0 °F to 150 °F (-18 °C to 65 °C)

**Seal Type:**

Environmentally sealed, IP67

**Safe Overload:**

150% full scale

**Safe Sideload:**

100% full scale

**Rated Excitation:**

5 to 10 VDC (15 V maximum)

**Combined Error:**

0.03% full scale

**Insulation Resistance:**

1,000 megohm

**Cable Length:**

35 ft

40 ft

50 ft

**Cable Diameter:**

25,000 lb: 0.200 in

40,000 to 75,000 lb: 0.305 in

Polyurethane jacket

**Cable Color Code:**

Red +Excitation

Black -Excitation

Green +Signal

White -Signal

**Warranty:**

Two-year limited

**Approvals:**

cFMus

NTEP 00-027



Picture is a representation of actual product.

### Approvals

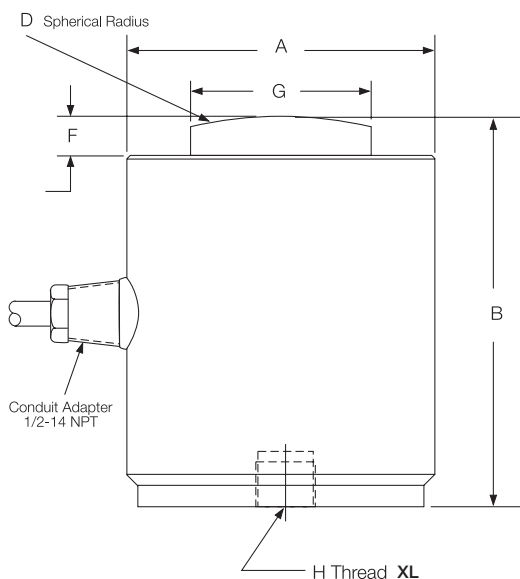


### Order Information

Load Rating	Part #	Est. Weight	Price
<b>35 ft Cable</b>			
25,000 lb	32702	7 lb	\$1,903.00
50,000 lb	32701	7 lb	\$1,903.00
100,000 lb	32700	15 lb	\$2,226.00
200,000 lb	32699	28 lb	\$3,175.00
<b>80 ft Cable</b>			
200,000 lb	197788	30 lb	\$3,312.00

### Dimensions

Rated Capacity	A	B	D	F	G	H	L-DEPTH
lb/in							
25,000 to 50,000	3.00	3.25	6.00	0.40	1.25	1/2-20 UNF	0.31
100,000	4.00	5.00	6.00	0.51	2.31	3/4-16 UNF	0.56
200,000	6.00	7.25	17.00	1.04	3.13	3/4-16 UNF	0.75



### Interchangeable Products

- VPG® REVERE  
**CSP**
- VPG® SENSORTRONICS®  
**65088-1000**
- VPG® REVERE  
**692B**
- HOWE RICHARDSON®  
**244699-000X**
- STREETER AMET®  
**3760XXX**

### Weigh Module Available

RICE LAKE WEIGHING SYSTEMS  
**MagnaMount™**

### Specifications

- Full Scale Output:**  
2.0 mV/V
- Output Resistance:**  
475.2 to 484.8 ohm
- Input Resistance:**  
445.5 to 454.5 ohm
- Material/Finish:**  
Stainless steel
- Temperature:**  
Compensated:  
14 °F to 104 °F (-10 °C to 40 °C)  
Operating:  
0 °F to 150 °F (-18 °C to 65 °C)
- Seal Type:**  
Welded-seal, IP67
- Safe Overload:**  
150% full scale
- Rated Excitation:**  
5 to 10 VDC (15 V maximum)
- Combined Error:**  
0.03% full scale
- Non-repeatability:**  
0.01% full scale
- Insulation Resistance:**  
1,000 megohm
- Deflection at Capacity:**  
25,000 to 50,000 lb: 0.003 in  
100,000 to 125,000 lb: 0.006 in
- Cable Length:**  
35 ft  
80 ft
- Cable Diameter:**  
0.305 in  
Polyurethane jacket
- Cable Color Code:**  
Green +Excitation  
Black -Excitation  
White +Signal  
Red -Signal  
Orange Shield
- Warranty:**  
Two-year limited
- Approvals:**  
NTEP 95-140

LOAD CELLS / WEIGH MODULES

COMPRESSION CANISTER  
**RL8C2P1SST**

Stainless Steel, Hermetically Sealed, NTEP Certified 1:10,000 Class III Multiple Cell, IP68

LOAD CELLS /  
 WEIGH MODULES



Picture is a representation of actual product.

Approvals

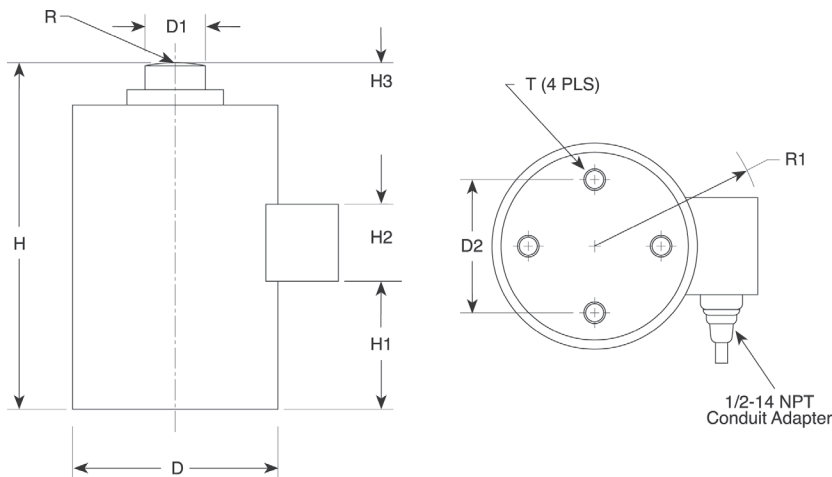


Order Information

Load Rating	Part #	Est. Weight	Price
50,000 lb	34855	20 lb	\$2,325.00
100,000 lb	34856	36 lb	\$2,325.00
200,000 lb	34857	75 lb	\$3,598.00

Dimensions

Rated Capacity	D	D1	D2	H	H1	H2	H3	R	R1	T
50,000 lb/in	4.50	1.25	2.38	7.50	1.17	0.75	0.75	8.00	3.75	3/8-24 UNF x .63 DP
100,000	5.75	1.75	4.00	9.13	2.00	0.87	1.05	12.00	4.05	1/2-20 UNF x .75 DP
200,000	7.50	2.50	5.50	11.63	2.93	0.97	0.97	12.00	5.11	5/8-18 UNF x 25.4 DP



Interchangeable Products

VPG® REVERSE  
**792**

Specifications

- Full Scale Output:**  
2.0 mV/V
- Output Resistance:**  
350 (± 3.5) ohm
- Input Resistance:**  
350 (± 3.5) ohm
- Material/Finish:**  
Stainless steel
- Temperature:**  
Compensated:  
14 °F to 104 °F (-10 °C to 40 °C)  
Operating:  
0 °F to 150 °F (-18 °C to 65 °C)
- Seal Type:**  
Hermetically sealed, IP68
- Safe Overload:**  
150% full scale
- Rated Excitation:**  
10 VDC (15 V maximum)
- Combined Error:**  
0.03% full scale
- Non-repeatability:**  
0.01% full scale
- Insulation Resistance:**  
> 1,000 megohm
- Deflection at Capacity:**  
50,000 lb: 0.004 in  
100,000 lb: 0.006 in  
200,000 lb: 0.009 in
- Cable Length:**  
35 ft
- Cable Color Code:**  
Green +Excitation  
Black -Excitation  
White +Signal  
Red -Signal  
Orange Shield
- Warranty:**  
Two-year limited
- Approvals:**  
cFMus  
NTEP 92-218





Picture is a representation of actual product.

**Approvals**

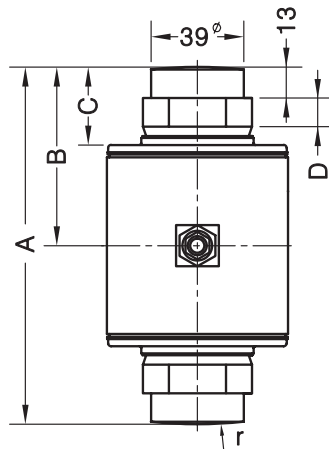


**Order Information**

Load Rating	Part #	Est. Weight	Price
30,000 lb	<b>221271</b>	8 lb	\$695.00
40,000 lb	<b>207495</b>	8 lb	\$695.00
Load Cup Kits			
30,000 lb	<b>223356</b>	7.50 lb	\$110.00
40,000 lb	<b>223357</b>	7.94 lb	\$110.00

**Dimensions**

Rated Capacity	A	B	C	D	Ball r
lb/in					
30,000	5.51	2.76	1.10	0.28	7.09
40,000	5.91	2.95	1.30	0.47	7.87



**Specifications**

**Full Scale Output:**  
2.0 mV/V

**Output Resistance:**  
1,005 (± 5) ohm

**Input Resistance:**  
1,150 (± 50) ohm

**Material/Finish:**  
Stainless steel

**Temperature:**  
Compensated:  
14 °F to 104 °F (-10 °C to 40 °C)  
Operating:  
0 °F to 150 °F (-18 °C to 65 °C)

**Seal Type:**  
Hermetically sealer, IP69K

**Safe Overload:**  
120% full scale

**Rated Excitation:**  
5 to 10 VDC

**Combined Error:**  
0.013% full scale

**Non-repeatability:**  
0.01% full scale

**Insulation Resistance:**  
5,000 megohm

**Deflection at Capacity:**  
0.621 mm

**Cable Length:**  
18 m overbraid cable

**Cable Color Code:**  
Green +Excitation  
Black -Excitation  
Red +Signal  
White -Signal  
Blue +Sense  
Yellow -Sense

**Warranty:**  
Two-year limited

**Approvals:**  
NTEP

ROCKER COLUMN  
**RLSCA-50K**

Stainless Steel, Welded Seal, NTEP Certified 1:10,000 Class III Multiple Cell, IP67

LOAD CELLS /  
 WEIGH MODULES



Picture is a representation of actual product.

Approvals



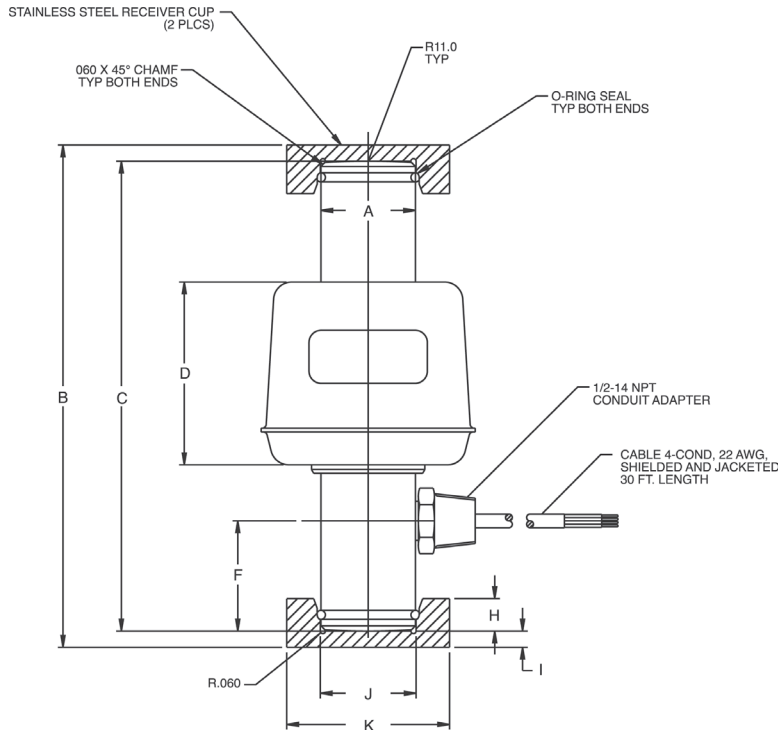
Order Information

Load Rating	Part #	Est. Weight	Price
50,000 lb*	<b>68918</b>	7 lb	\$1,055.00
Replacement Parts			
Replacement load cup set upper and lower included	<b>85433</b>	1 lb	\$100.00
Replacement O-ring	<b>92988</b>	1 lb	\$1.00/each

\*Load cell supplied with load cups

Dimensions

Rated Capacity	A	B	C	D	F	H	I	J	K
50,000 lb/in	1.46	7.75	7.25	2.82	1.70	0.50	0.25	1.48	2.50



Interchangeable Products

CARDINAL®  
**SCA-50K**

Specifications

- Full Scale Output:**  
2 mV/V nominal
- Output Resistance:**  
1,050 (± 10) ohm
- Input Resistance:**  
1,100 to 1,500 ohm
- Material/Finish:**  
Stainless steel
- Temperature:**  
Compensated:  
14 °F to 104 °F (-10 °C to 40 °C)  
Operating:  
0 °F to 150 °F (-18 °C to 65 °C)
- Seal Type:**  
Welded-seal, IP67
- Safe Overload:**  
150% full scale
- Rated Excitation:**  
5 to 10 VDC (15 V maximum)
- Combined Error:**  
0.025% full scale
- Non-repeatability:**  
0.01% full scale
- Insulation Resistance:**  
1,000 megohm
- Cable Length:**  
30 ft
- Cable Diameter:**  
0.200 in  
Polyurethane jacket
- Cable Color Code:**  
Green +Excitation  
Black -Excitation  
Red +Signal  
White -Signal
- Warranty:**  
Two-year limited
- Approvals:**  
NTEP 01-073  
cFMus

# RL70510/RL80453

Stainless Steel, Hermetically Sealed, NTEP Certified 1:10,000 Class III L, IP69K

LOAD CELLS / WEIGH MODULES



Picture is a representation of actual product.

### Approvals



### Order Information: RL70510

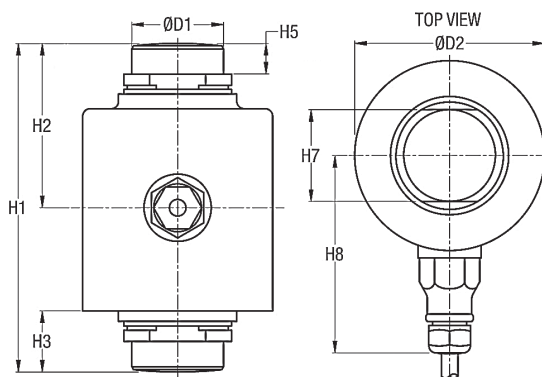
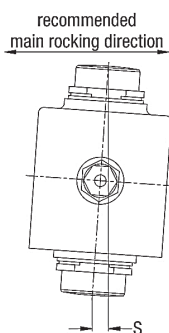
Load Rating	Part #	Est. Weight	Price
30t	169363	6 lb	\$1,044.00
Upper load cup	109332	4 lb	\$143.00
Lower load cup	109331	4 lb	\$116.00

### Order Information: RL80453

Load Rating	Part #	Est. Weight	Price
100,000 lb	169365	6 lb	\$1,070.00
Upper load cup	109332	4 lb	\$143.00
Lower load cup	109331	4 lb	\$116.00

### Dimensions

Rated Capacity	H1	H2	H3	H5	H7	H8	D1	D2
t/in								
30	5.51	2.76	1.02	0.51	1.54	3.32	1.54	3.18
lb/in								
100,000	5.91	2.95	1.30	0.51	1.54	3.32	1.54	3.18



### Interchangeable Products

FAIRBANKS®	
70510	LCF HR 4020-2A
FAIRBANKS	
80453	LCF HR 4020-21

### Specifications

**Full Scale Output:**

2.0 mV/V

**Output Resistance:**

1,000 (± 2) ohm

**Input Resistance:**

1,150 (± 50) ohm

**Material/Finish:**

Stainless steel

**Temperature:**

Compensated:

14 °F to 104 °F (-10 °C to 40 °C)

Operating:

0 °F to 150 °F (-18 °C to 65 °C)

**Seal Type:**

Hermetically sealed, IP69K

**Safe Overload:**

200% full scale

**Rated Excitation:**

5 to 10 VDC (15 V max)

**Combined Error:**

0.02% full scale

**Insulation Resistance:**

5,000 megohm

**Cable Length:**

15 ft

**Cable Diameter:**

0.200 in

Stainless steel overbraid cable

**Cable Color Code:**

Green +Excitation

Black -Excitation

White +Signal

Red -Signal

Yellow Shield

**Warranty:**

Two-year limited

**Approvals:**

NTEP 15-057

# RL75114-50K

Stainless Steel, Welded Seal, NTEP Certified 1:10,000 Class III L, IP67

LOAD CELLS /  
WEIGH MODULES



Picture is a representation of actual product.

### Approvals



### Order Information

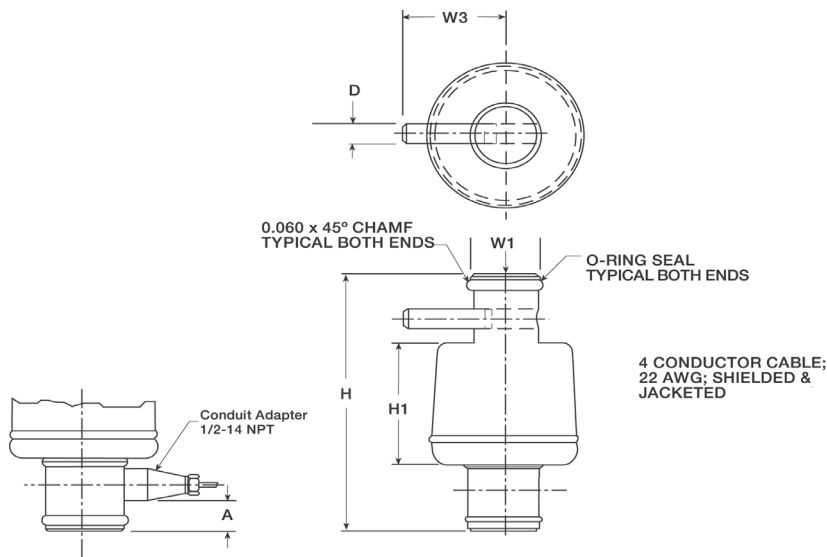
Load Rating	Part #	Est. Weight	Price
50,000 lb LE	88074	6 lb	\$1,266.00
Replacement Parts			
Replacement O-ring	92988	1lb	\$1.00
Spring pin	116181	1 lb	\$5.00

LE=Large envelope

Not interchangeable with Sensortronics 65114 - different mV/V

### Dimensions

Rated Capacity	A	D	H	H1	W1	W3
50,000 LE	0.87	0.38	7.56	2.82	1.46	2.18



### Interchangeable Products

FAIRBANKS®

64166..... LCF HR 4020-2

### Specifications

**Full Scale Output:**

1.8 mV/V nominal

**Output Resistance:**

1,000 (± 10) ohm

**Input Resistance:**

1,000 ohm

**Material/Finish:**

Stainless steel

**Temperature:**

Compensated:

14 °F to 104 °F (-10 °C to 40 °C)

Operating:

0 °F to 150 °F (-18 °C to 65 °C)

**Seal Type:**

Welded-seal, IP67

**Safe Overload:**

150% full scale

**Rated Excitation:**

5 to 10 VDC

**Combined Error:**

0.025% full scale

**Non-repeatability:**

0.01% full scale

**Insulation Resistance:**

1,000 megohm

**Cable Length:**

30 ft

**Cable Diameter:**

0.200 in overbraid cable

**Cable Color Code:**

Green +Excitation

Black -Excitation

White +Signal

Red -Signal

**Warranty:**

Two-year limited

**Approvals:**

NTEP 06-022

cFMus



25K shown

5K shown

Load cup sold separately on 5,000 and 10,000 lb models.

Picture is a representation of actual product.

### Approvals



### Order Information

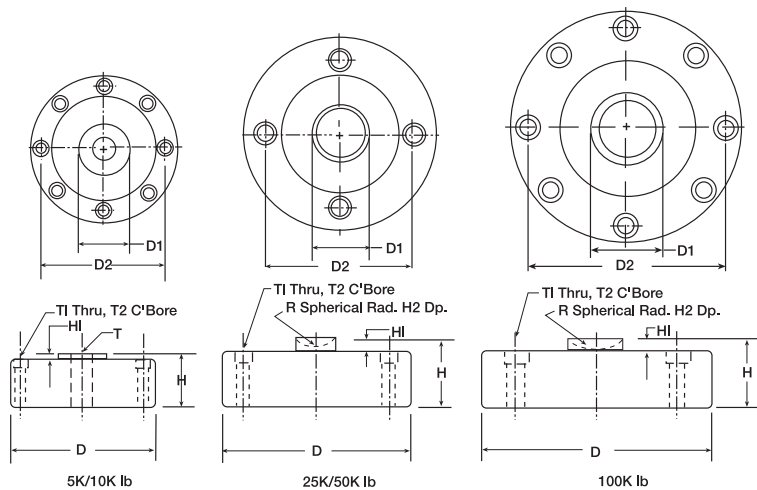
Load Rating	Part #	Est. Weight	Price
5,000 lb*	33061	6 lb	\$689.00
10,000 lb*	33062	6 lb	\$689.00
25,000 lb	33063	9 lb	\$843.00
50,000 lb	33064	9 lb	\$843.00
100,000 lb	33065	13 lb	\$990.00
Load Cup**	33616		\$37.00

\*5,000lb and 10,000lb models can be used in compression and tension load applications.

\*\*Load cup, PN 33616, is required for compression applications on 5,000lb and 10,000lb capacity load cells.

### Dimensions

Rated Capacity	T	R	D	D1	D2	H	H1	H2	T1	T2
5,000* to 10,000*	5/8-18 UNF-3B	—	4.12	1.26	3.50	1.37	0.12	—	0.28	0.406 x 0.283 DP
25,000 to 50,000	—	0.875	4.75	1.53	4.00	2.12	0.50	0.30	0.34	0.508 x 0.38 DP
100,000	—	0.875	5.50	1.98	4.60	2.25	0.25	0.30	0.41	0.626 x 0.4 DP



### Interchangeable Products

VPG® CELTRON®  
LCD

### Specifications

#### Full Scale Output:

4.0 mV/V

#### Output Resistance:

5,000 to 50,000 lb: 350 (± 3) ohm  
100,000 lb: 700 (± 5) ohm

#### Input Resistance:

5,000 to 50,000 lb: 385 (± 5) ohm  
100,000 lb: 770 (± 70) ohm

#### Material/Finish:

High-alloy steel, nickel plated

#### Temperature:

Operating:  
0 °F to 150 °F (-18 °C to 65 °C)

#### Seal Type:

Environmentally sealed, IP67

#### Safe Overload:

150% full scale

#### Safe Sideload:

100% full scale

#### Rated Excitation:

15 VDC (15 V maximum)

#### Nonlinearity:

0.05% full scale

#### Hysteresis:

0.02% full scale

#### Insulation Resistance:

2,000 megohm

#### Cable Length:

50 ft

#### Cable Diameter:

5,000 to 25,000 lb: 0.200 in  
50,000 to 100,000 lb: 0.305 in  
Polyurethane jacket

#### Cable Color Code:

Red +Excitation  
Black -Excitation  
Green +Signal  
White -Signal

#### Warranty:

Two-year limited

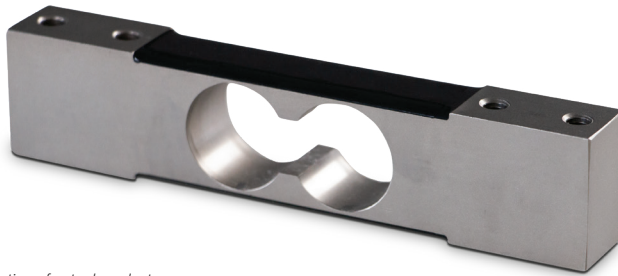
#### Approvals:

cFMus

SINGLE POINT  
**RLPC3SS**

Stainless Steel, Environmentally Sealed, NTEP Certified 1:3,000 Class III Single Cell, IP67

LOAD CELLS /  
WEIGH MODULES



Picture is a representation of actual product.

Approvals

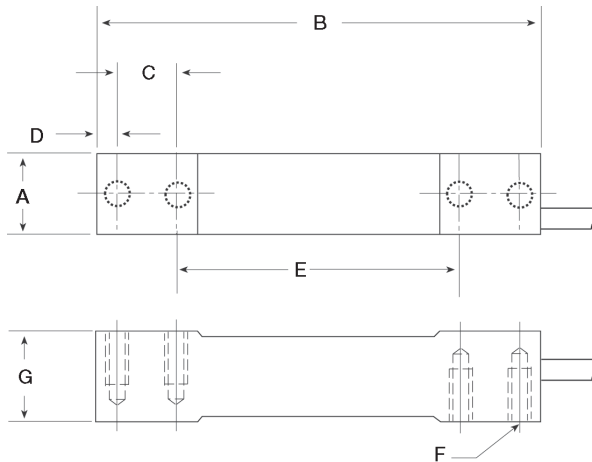


Order Information

Load Rating	Part #	Est. Weight	Price
7 kg	205274	2 lb	\$328.00
10 kg	205275	2 lb	\$328.00
30 kg	205276	2 lb	\$328.00
60 kg	205277	2 lb	\$328.00
100 kg	205278	2 lb	\$328.00
150 kg	205279	2 lb	\$328.00

Dimensions

Rated Capacity	A	B	C	D	E	F	G
kg/mm							
7 to 10	19.0	139.8	19.0	6.6	88.7	M6 × 1.0	30.0
30 to 60	23.8	139.8	19.0	6.6	88.7	M6 × 1.0	30.0
100 to 150	30.7	139.7	22.4	6.6	79.3	3/8-16 UNC	30.0



Interchangeable Products

RICE LAKE WEIGHING SYSTEMS®

**RL1380**

FLINTEC®

**PC3**

HBK®

**PWS**

Specifications

**Full Scale Output:**

2 mV/V

**Output Resistance:**

350 (± 10) ohm

**Input Resistance:**

385 (± 15) ohm

**Material/Finish:**

Stainless steel

**Temperature:**

Compensated:

14 °F to 104 °F (-10 °C to 40 °C)

Operating:

0 °F to 150 °F (-18 °C to 65 °C)

**Seal Type:**

Environmentally sealed, IP67

**Safe Overload:**

150% full scale

**Rated Excitation:**

5 to 10 VDC

**Combined Error:**

0.02% full scale

**Insulation Resistance:**

5,000 megohm

**Cable Length:**

10 ft

**Cable Diameter:**

0.140 in

Polyurethane jacket

**Cable Color Code:**

Green +Excitation

Black -Excitation

White +Signal

Red -Signal

Yellow Shield

**Max Platform Size:**

7 to 30 kg: 350 × 350 mm

60 to 150 kg: 450 × 450 mm

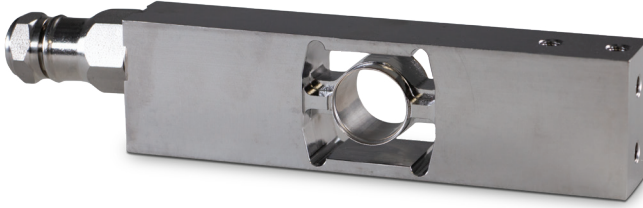
**Warranty:**

One-year limited

**Approvals:**

NTEP 21-017

OIML R60/2017-A-NL1-21.17



Picture is a representation of actual product.

**Approvals**

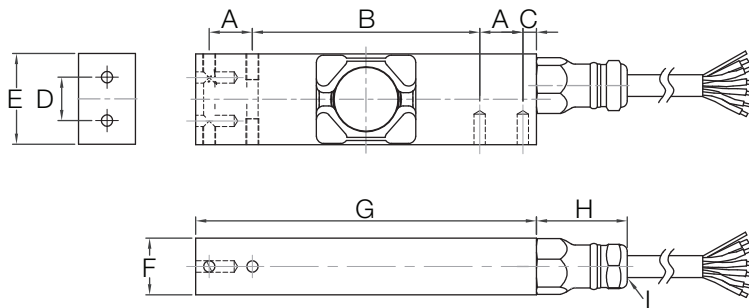


**Order Information**

Load Rating	Part #	Est. Weight	Price
10 kg	205270	3 lb	\$630.00
20 kg	205271	3 lb	\$630.00
50 kg	205272	3 lb	\$630.00
100 kg	205273	3 lb	\$630.00

**Dimensions**

Rated Capacity	A	B	C	D	E	F	G	H	I
kg/mm									
10 to 100	19.0	100.0	6.0	19.1	40.0	25.0	150.0	40.0	M4 × 6



**Interchangeable Products**

- FLINTEC®  
**PC4**
- HBK®  
**PW15AH\***
- \*350 Ohm

**Specifications**

**Full Scale Output:**  
2 mV/V

**Output Resistance:**  
960 (± 50) ohm

**Input Resistance:**  
1100 (± 50) ohm

**Material/Finish:**  
Stainless steel

**Temperature:**  
Compensated:  
14 °F to 104 °F (-10 °C to 40 °C)  
Operating:  
0 °F to 150 °F (-18 °C to 65 °C)

**Seal Type:**  
Hermetically sealed, IP69K

**Safe Overload:**  
150% full scale

**Rated Excitation:**  
5 to 10 VDC

**Combined Error:**  
0.02% full scale

**Insulation Resistance:**  
> 5,000 megohm

**Cable Length:**  
10 ft

**Cable Color Code:**  
Green +Excitation  
Black -Excitation  
White +Signal  
Red -Signal  
Blue +Sense  
Brown -Sense  
Yellow Shield

**Max Platform Size:**  
500 × 400 mm

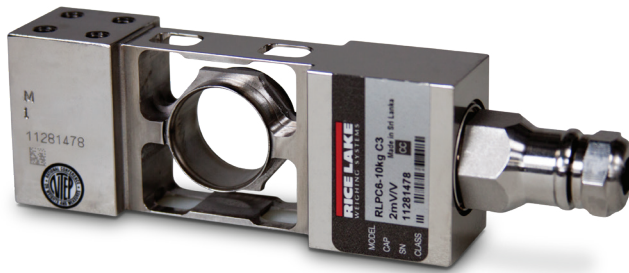
**Warranty:**  
One-year limited

**Approvals:**  
NTEP 21-016  
OIML R60/2017-A-NL1-21.18

SINGLE POINT  
**RLPC6**

Stainless Steel, Hermetically Sealed, NTEP Certified 1:5,000 Class III Single Cell, IP69K

LOAD CELLS /  
WEIGH MODULES



Picture is a representation of actual product.

Approvals

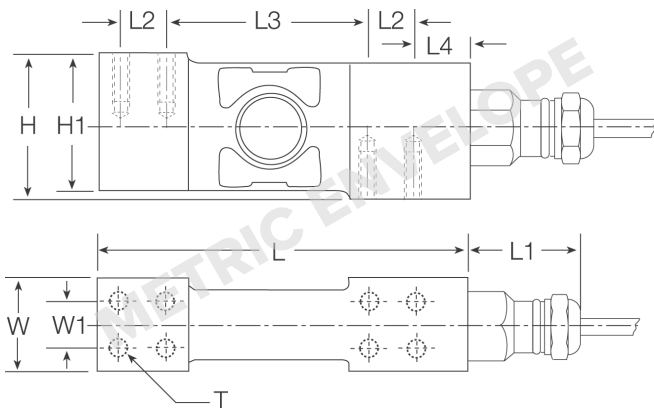


Order Information

Load Rating	Part #	Est. Weight	Price
10 kg	87027	3 lb	\$630.00
20 kg	87028	3 lb	\$630.00
50 kg	87029	3 lb	\$630.00
100 kg	87030	3 lb	\$630.00
200 kg	87031	3 lb	\$630.00

Dimensions

Rated Capacity	H	H1	L	L1	L2	L3	L4	W	W1	T
kg/mm										
10 to 200	48.0	45.5	123.0	41.0	15.2	67.6	17.8	30.1	15.2	8 x M6/15 DP



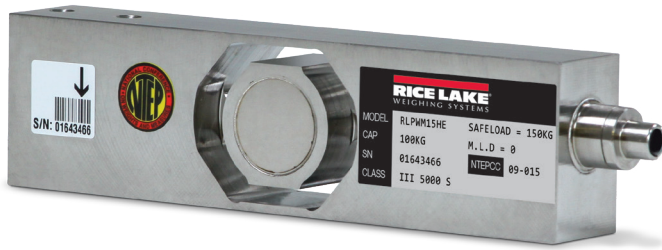
Interchangeable Products

FLINTEC®  
PC6

Specifications

- Full Scale Output:**  
2.0 mV/V
- Output Resistance:**  
960 (± 50) ohm, nominal
- Input Resistance:**  
1,100 (± 50) ohm
- Material/Finish:**  
Stainless steel
- Temperature:**  
Compensated:  
14 °F to 104 °F (-10 °C to 40 °C)  
Operating:  
0 °F to 150 °F (-18 °C to 65 °C)
- Seal Type:**  
Hermetically sealed, IP69K
- Safe Overload:**  
200% full scale
- Safe Sideload:**  
100% full scale
- Rated Excitation:**  
5 to 10 VDC
- Combined Error:**  
0.02% full scale
- Insulation Resistance:**  
5,000 megohm
- Cable Length:**  
10 ft
- Cable Diameter:**  
0.196 in  
Polyurethane jacket
- Deflection at Capacity:**  
0.006 to 0.010 in
- Cable Color Code:**  
Green +Excitation  
Black -Excitation  
White +Signal  
Red -Signal  
Yellow Shield
- Max Platform Size:**  
24 × 24 in
- Warranty:**  
Two-year limited
- Approvals:**  
FM  
NTEP 06-011





Picture is a representation of actual product.

**Approvals**

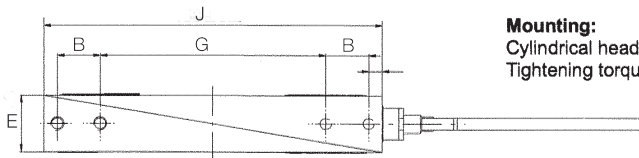
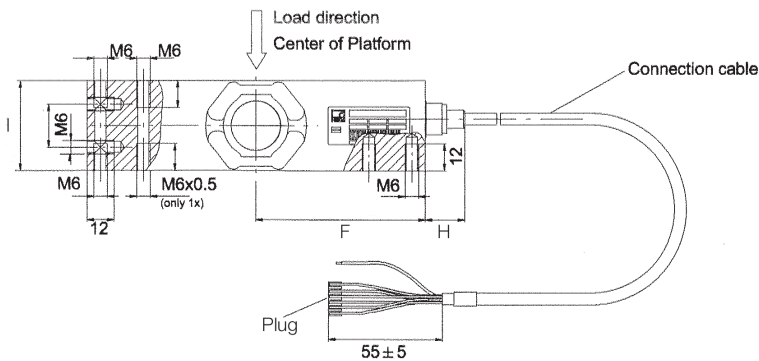


**Order Information**

Load Rating	Part #	Est. Weight	Price
<b>10 ft Cable</b>			
10 kg	<b>108685</b>	3 lb	\$768.00
20 kg	<b>108686</b>	3 lb	\$768.00
50 kg	<b>108687</b>	3 lb	\$768.00
100 kg	<b>108688</b>	3 lb	\$768.00
<b>2.83 ft Cable</b>			
10 kg	<b>107174</b>	3 lb	\$768.00
20 kg	<b>107175</b>	3 lb	\$768.00
50 kg	<b>107176</b>	3 lb	\$768.00
100 kg	<b>107177</b>	3 lb	\$768.00

**Dimensions**

Rated Capacity	B	E	F	G	H	I	J
kg/mm							
10 to 100	19.0	25.0	75.0	100.0	17.5	40.0	150.0



**Mounting:**  
Cylindrical head screw M6-10.9  
Tightening torque: 14 N·m

**Interchangeable Products**

HBK®  
PW15AH

**Specifications**

**Full Scale Output:**  
2.0 mV/V

**Output Resistance:**  
350 (± 10) ohm

**Input Resistance:**  
380 (± 15) ohm

**Material/Finish:**  
Stainless steel

**Temperature:**  
Compensated:  
14 °F to 104 °F (-10 °C to 40 °C)  
Operating:  
0 °F to 150 °F (-18 °C to 65 °C)

**Seal Type:**  
Hermetically sealed, IP69K

**Safe Overload:**  
150% full scale

**Rated Excitation:**  
5 to 10 VDC (15 V maximum)

**Combined Error:**  
0.02% full scale

**Insulation Resistance:**  
1,000 megohm

**Cable Length:**  
10 ft  
2.83 ft

**Cable Diameter:**  
0.212 in PVC jacket

**Cable Color Code:**  
Blue +Excitation  
Black -Excitation  
White +Signal  
Red -Signal  
Green +Sense  
Grey -Sense

**Max Platform Size:**  
500 × 400 mm

**Warranty:**  
Two-year limited

**Approvals:**  
FM  
NTEP 09-015

# RLPWM15

Stainless Steel, Environmentally Sealed, NTEP Certified 1:5,000 Class III Single Cell, IP67

LOAD CELLS /  
WEIGH MODULES



Picture is a representation of actual product.

### Approvals

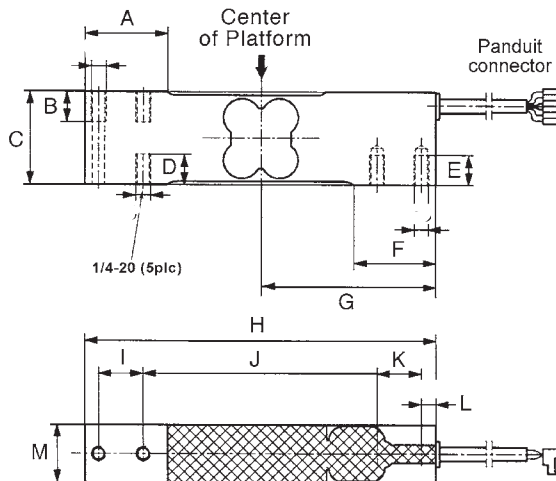


### Order Information

Load Rating	Part #	Est. Weight	Price
10 kg	119904	1 lb	\$344.00
15 kg	119912	1 lb	\$344.00
20 kg	119905	1 lb	\$344.00
50 kg	119908	1 lb	\$344.00
75 kg	119909	1 lb	\$344.00
100 kg	119910	1 lb	\$344.00

### Dimensions

Rated Capacity	A	B	C	D	E	F	G	H	I	J	K	L	M	T
kg/mm														
10 to 100	35.0	13.0	40.0	13.0	13.0	35.0	75.0	150.0	19.0	100.0	19.0	6.2	25.0	1/4-20 UNC



### Interchangeable Products

HBK®  
**PW15**  
VPG® TEDEA-HUNTLEIGH®  
**1142**

### Specifications

- Full Scale Output:**  
2.0 mV/V
- Bridge Resistance:**  
350 ohm, nominal
- Material/Finish:**  
Stainless steel
- Temperature:**  
Compensated:  
14 °F to 104 °F (-10 °C to 40 °C)  
Operating:  
0 °F to 150 °F (-18 °C to 65 °C)
- Seal Type:**  
Environmentally sealed, IP67
- Safe Overload:**  
150% full scale
- Rated Excitation:**  
5 to 10 VDC (15 V maximum)
- Combined Error:**  
0.02% full scale
- Insulation Resistance:**  
1,000 megohm
- Cable Length:**  
10 ft
- Cable Diameter:**  
0.190 in PVC jacket
- Cable Color Code:**  
Blue +Excitation  
Black -Excitation  
White +Signal  
Red -Signal  
Green +Sense  
Grey -Sense
- Max Platform Size:**  
15 × 15 in
- Warranty:**  
Two-year limited
- Approvals:**  
FM  
NTEP 11-038



Picture is a representation of actual product.

**Approvals**

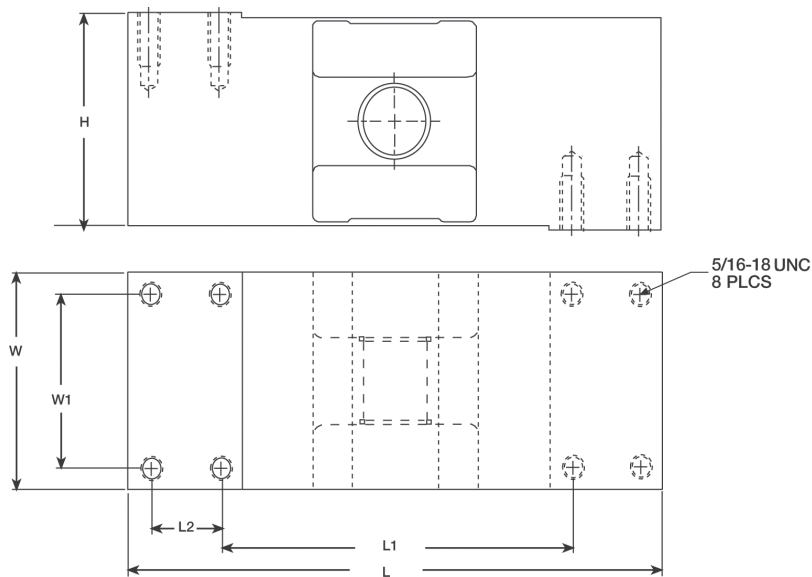


**Order Information**

Load Rating	Part #	Est. Weight	Price
50 kg	<b>87022</b>	12 lb	\$980.00
100 kg	<b>87023</b>	12 lb	\$980.00
250 kg	<b>87024</b>	13 lb	\$980.00
500 kg	<b>87025</b>	13 lb	\$980.00
1,000 kg	<b>87026</b>	15 lb	\$980.00

**Dimensions**

Rated Capacity	L	L1	L2	W	W1	H
kg/mm						
50 to 1,000	190.5	107.0	35.0	73.7	50.0	73.7



**Specifications**

**Full Scale Output:**  
2 mV/V

**Output Resistance:**  
960 (± 50) ohm

**Input Resistance:**  
1,100 (± 50) ohm

**Material/Finish:**  
Stainless steel

**Temperature:**  
Compensated:  
14 °F to 104 °F (-10 °C to 40 °C)  
Operating:  
0 °F to 150 °F (-18 °C to 65 °C)

**Seal Type:**  
Hermetically sealed, IP69K

**Safe Overload:**  
200% full scale

**Safe Sideload:**  
100% full scale

**Rated Excitation:**  
5 to 10 VDC

**Combined Error:**  
0.020% full scale

**Insulation Resistance:**  
5,000 megohm

**Cable Length:**  
10 ft

**Cable Diameter:**  
0.196 in  
Polyurethane jacket

**Cable Color Code:**  
Green +Excitation  
Black -Excitation  
White +Signal  
Red -Signal  
Blue +Sense  
Brown -Sense  
Yellow Shield (shield connected to element)

**Max Platform Size:**  
24 × 24 in

**Warranty:**  
Two-year limited

**Approvals:**  
FM  
NTEP 07-094

SINGLE POINT  
**RL1521A**

Aluminum, Environmentally Sealed, NTEP Certified 1:5,000 Class III Single Cell, IP66

LOAD CELLS /  
WEIGH MODULES



Picture is a representation of actual product.

Approvals

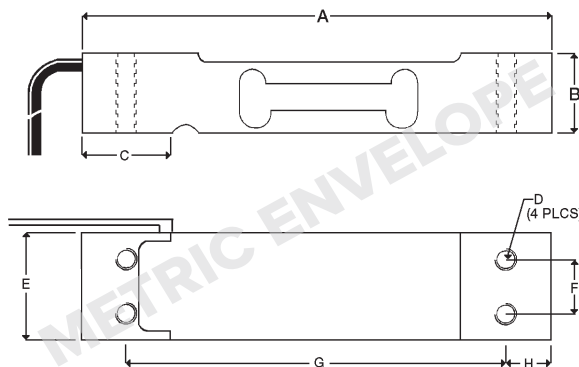


Order Information:

Load Rating	Part #	Est. Weight	Price
<b>1.50 ft Cables</b>			
3 kg	50620	1 lb	\$148.00
5 kg	50619	1 lb	\$148.00
7 kg	50621	1 lb	\$148.00
10 kg	50622	1 lb	\$148.00
15 kg	50623	1 lb	\$148.00
20 kg	50624	1 lb	\$148.00
30 kg	50625	1 lb	\$148.00
35 kg	50626	1 lb	\$148.00
<b>10 ft Cables</b>			
3 kg	132261	3 lb	\$148.00
5 kg	132262	3 lb	\$148.00
7 kg	132263	3 lb	\$148.00
10 kg	132264	3 lb	\$148.00
15 kg	132265	3 lb	\$148.00
20 kg	132266	3 lb	\$148.00
30 kg	132267	3 lb	\$148.00
35 kg	132268	3 lb	\$148.00

Dimension

Rated Capacity	A	B	C	D	E	F	G	H
kg/mm								
3 to 7	130.0	22.0	25.0	M6 × 1.0	25.4	15.0	106.0	12.0
10 to 30	130.0	22.0	25.0	M6 × 1.0	30.0	15.0	106.0	12.0
35	130.0	22.0	25.0	M6 × 1.0	40.0	15.0	106.0	12.0



Interchangeable Products

- VPG® CELTRON®
- LPS except 3 kg
- VPG® TEDEA-HUNTLEIGH®
- 1022
- VPG® BLH®
- C2G1
- FAIRBANKS®
- 4900 Series
- Checkweighers
- NMB®
- C2G1
- ARTECH®
- 61022

Specifications

- Full Scale Output:**  
2.0 mV/V
- Output Resistance:**  
350 (± 3) ohm
- Input Resistance:**  
410 (± 15) ohm
- Material/Finish:**  
Aluminum
- Temperature:**  
Compensated:  
14 °F to 104 °F (-10 °C to 40 °C)  
Operating:  
0 °F to 150 °F (-18 °C to 65 °C)
- Seal Type:**  
Environmentally sealed, IP66
- Safe Overload:**  
150% full scale
- Rated Excitation:**  
5 to 10 VDC (15 V maximum)
- Combined Error:**  
0.03% full scale
- Insulation Resistance:**  
2,000 megohm
- Cable Length:**  
10 ft  
1.50 ft
- Cable Diameter:**  
0.14 in PVC jacket
- Cable Color Code:**  
Green +Excitation  
Black -Excitation  
Red +Signal  
White -Signal
- Max Platform Size:**  
13.75 × 13.75 in
- Warranty:**  
Two-year limited
- Approvals:**  
cFMus  
NTEP 98-166



Picture is a representation of actual product.

**Approvals**

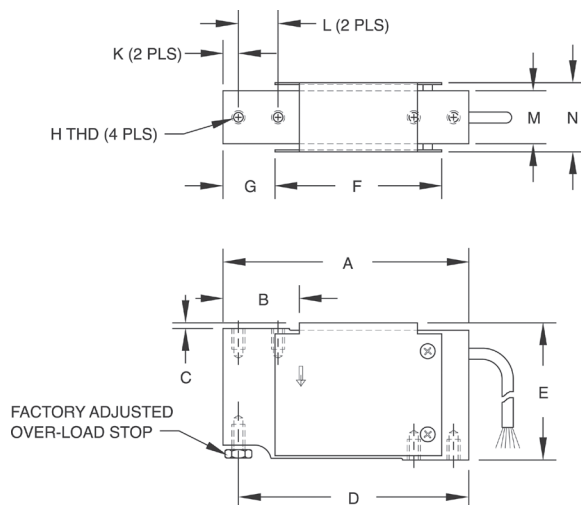


**Order Information**

Load Rating	Part #	Est. Weight	Price
<b>NTEP Certified, Potted</b>			
10 kg	50819	2 lb	\$205.00
15 kg	50820	2 lb	\$205.00
20 kg	50821	2 lb	\$205.00
30 kg	50822	2 lb	\$205.00
50 kg	50823	2 lb	\$205.00
<b>Non-NTEP Certified, Potted</b>			
7 kg	17529	2 lb	\$205.00
10 kg	17530	2 lb	\$205.00
15 kg	17531	2 lb	\$195.00
20 kg	17532	2 lb	\$205.00
30 kg	17533	2 lb	\$205.00
50 kg	17534	2 lb	\$205.00
90 kg	17535	2 lb	\$205.00
<b>Non-NTEP Certified, Unpotted</b>			
3 kg	17527	1 lb	\$190.00
5 kg	17528	1 lb	\$190.00

**Dimensions**

Rated Capacity	A	B	C	D	E	F	G	H	K	L	M	N
kg/mm												
3 to 90	118.1	34.0	3.0	110.5	66.0	80.0	25.0	1/4-20 UNC x 13 DP	7.5	19.1	25.4	33.5



**Interchangeable Products**

VPG® TEDEA-HUNTLEIGH®  
1010/1015

**Specifications**

- Full Scale Output:**  
2.0 mV/V
- Output Resistance:**  
350 (± 3) ohm, nominal
- Input Resistance:**  
415 (± 15) ohm
- Material/Finish:**  
Anodized aluminum
- Temperature:**  
Compensated:  
14 °F to 104 °F (-10 °C to 40 °C)  
Operating:  
0 °F to 150 °F (-18 °C to 65 °C)
- Seal Type:**  
Potted: IP67  
Unpotted: IP65
- Safe Overload:**  
150% at center of loading point, full scale
- Rated Excitation:**  
5 to 10 VDC (15 V maximum)
- Combined Error:**  
0.02% full scale
- Insulation Resistance:**  
5,000 megohm
- Deflection at Capacity:**  
0.015 in
- Cable Length:**  
Potted: 10 ft  
Unpotted: 3 ft
- Cable Diameter:**  
0.200 in PVC jacket
- Cable Color Code:**  
Green +Excitation  
Black -Excitation  
Red +Signal  
White -Signal  
Blue +Sense  
Brown -Sense
- Max Platform Size:**  
15.75 x 15.75 in
- Warranty:**  
Two-year limited
- Approvals:**  
cFMus  
NTEP 00-062

# RLSP4

Aluminum, Environmentally Sealed, NTEP Certified 1:5,000 Class III Single Cell, IP66

LOAD CELLS /  
WEIGH MODULES



Picture is a representation of actual product.

### Approvals

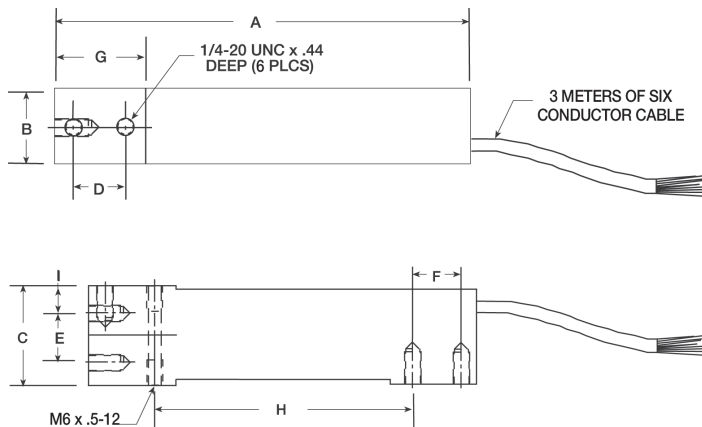


### Order Information

Load Rating	Part #	Est. Weight	Price
<b>NTEP Certified</b>			
7 kg	91725	2 lb	\$222.00
10 kg	91726	2 lb	\$222.00
15 kg	91727	2 lb	\$222.00
20 kg	91728	2 lb	\$222.00
30 kg	91729	2 lb	\$222.00
50 kg	91730	2 lb	\$222.00
75 kg	91731	2 lb	\$222.00
100 kg	91732	2 lb	\$222.00

### Dimensions

Rated Capacity	A	B	C	D	E	F	G	H	I
kg/mm									
5 to 100	150.3	25.4	39.9	19.1	19.1	19.1	33.8	99.6	11.4



### Interchangeable Products

HBK®  
SP4M

### Specifications

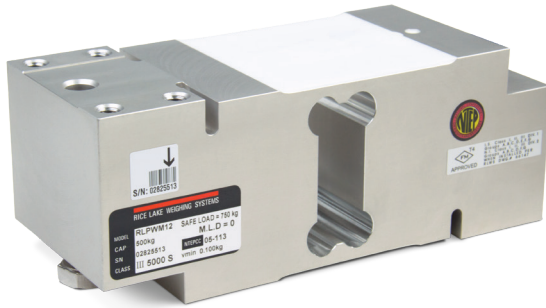
- Full Scale Output:**  
2.0 mV/V
- Output Resistance:**  
350 (± 3) ohm
- Input Resistance:**  
350 ohm
- Material/Finish:**  
Anodized aluminum
- Temperature:**  
Compensated:  
14 °F to 104 °F (-10 °C to 40 °C)  
Operating:  
0 °F to 150 °F (-18 °C to 65 °C)
- Seal Type:**  
Environmentally sealed, IP66
- Safe Overload:**  
150% full scale
- Rated Excitation:**  
5 to 10 VDC (15 V maximum)
- Combined Error:**  
0.02% full scale
- Insulation Resistance:**  
5,000 megohm
- Deflection at Capacity:**  
0.4 mm
- Cable Length:**  
10 ft
- Cable Diameter:**  
0.19 in PVC jacket
- Cable Color Code:**  
Green +Excitation  
Black -Excitation  
Red +Signal  
White -Signal  
Blue +Sense  
Brown -Sense  
Yellow Shield
- Max Platform Size:**  
5 to 10 kg: 12 × 12 in  
15 to 30 kg: 18 × 18 in  
50 to 100 kg: 24 × 24 in
- Warranty:**  
Two-year limited
- Approvals:**  
FM  
NTEP 05-114

**Limited Stock Available**

SINGLE POINT  
**RLPWM12**

Aluminum, Environmentally Sealed, NTEP Certified 1:5,000 Class III Single Cell, IP67

LOAD CELLS / WEIGH MODULES



Picture is a representation of actual product.

**Approvals**

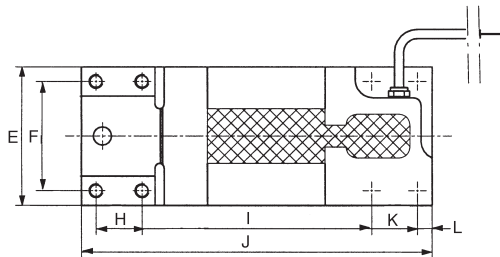
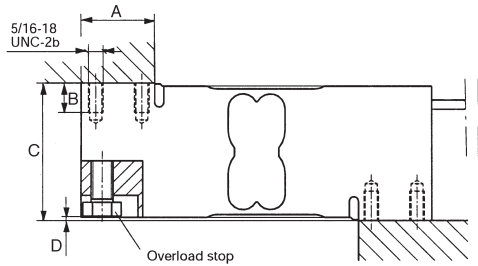


**Order Information**

Load Rating	Part #	Est. Weight	Price
500 kg	91681	6 lb	\$334.00
1,000 kg	91683	6 lb	\$334.00

**Dimensions**

Rated Capacity	A	B	C	D	E	F	H	I	J	K	L
kg/mm											
500 to 1,000	40.0	16.0	75.0	1.5	76.0	60.0	25.0	125.0	191.0	25.0	8.0



**Interchangeable Products**

VPG® TEDEA-HUNTLEIGH®  
**1250**

**Specifications**

**Full Scale Output:**  
2.0 mV/V

**Output Resistance:**  
330 to 450 ohm, nominal

**Input Resistance:**  
300 to 500 ohm

**Material/Finish:**  
Aluminum

**Temperature:**  
Compensated:  
14 °F to 104 °F (-10 °C to 40 °C)  
Operating:  
0 °F to 150 °F (-18 °C to 65 °C)

**Seal Type:**  
Environmentally sealed, IP67

**Safe Overload:**  
150% full scale

**Rated Excitation:**  
5 to 10 VDC (15 V maximum)

**Combined Error:**  
0.02% full scale

**Insulation Resistance:**  
1,000 megohm

**Cable Length:**  
10 ft

**Cable Diameter:**  
0.190 in PVC jacket

**Cable Color Code:**  
Green +Excitation  
Black -Excitation  
Red +Signal  
White -Signal  
Blue +Sense  
Brown -Sense

**Max Platform Size:**  
30 × 30 in

**Warranty:**  
Two-year limited

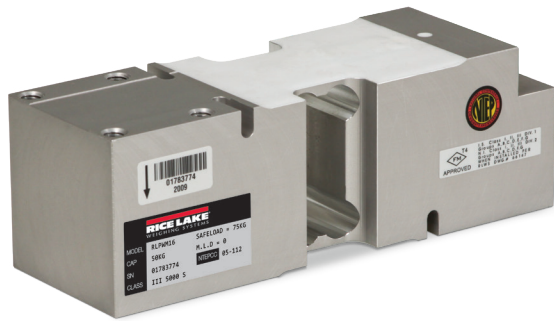
**Approvals:**  
FM  
NTEP 05-113

# RLPWM16

Aluminum, Environmentally Sealed, NTEP Certified 1:5,000 Class III Single Cell, IP67

**Limited Stock Available**

**LOAD CELLS / WEIGH MODULES**



Picture is a representation of actual product.

**Approvals**

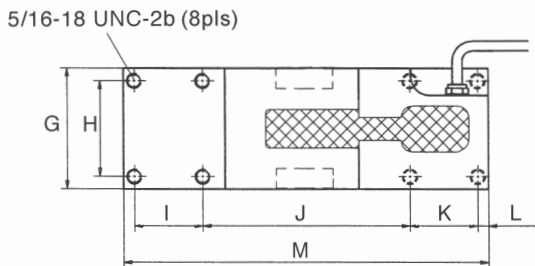
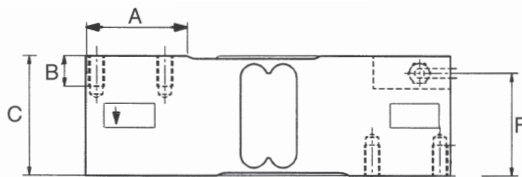


**Order Information**

Load Rating	Part #	Est. Weight	Price
75 kg	91686	5 lb	\$313.00

**Dimensions**

Rated Capacity	A	B	C	F	G	H	I	J	K	L	M
kg/mm											
75	52.0	16.0	62.3	52.3	63.0	50.0	35.0	107.0	35.0	5.5	188.0



**Interchangeable Products**

RICE LAKE WEIGHING SYSTEMS  
**RL1260**  
 VPG® TEDEA-HUNTLEIGH®  
**1260**

**Specifications**

- Full Scale Output:**  
2.0 mV/V
- Output Resistance:**  
300 to 500 ohm
- Input Resistance:**  
300 to 500 ohm
- Material/Finish:**  
Aluminum
- Temperature:**  
Compensated:  
14 °F to 104 °F (-10 °C to 40 °C)  
Operating:  
0 °F to 150 °F (-18 °C to 65 °C)
- Seal Type:**  
Environmentally sealed, IP67
- Safe Overload:**  
150% full scale
- Rated Excitation:**  
5 to 10 VDC (15 V maximum)
- Combined Error:**  
0.02% full scale
- Insulation Resistance:**  
1,000 megohm
- Cable Length:**  
10 ft
- Cable Diameter:**  
0.190 in PVC jacket
- Deflection at Capacity:**  
50 to 635 kg < 0.6 mm
- Cable Color Code:**  
Green +Excitation  
Black -Excitation  
Red +Signal  
White -Signal  
Blue +Sense  
Brown -Sense
- Max Platform Size:**  
24 × 24 in
- Warranty:**  
Two-year limited
- Approvals:**  
FM  
NTEP 05-112



Limited Stock Available

SINGLE POINT  
**RL1042**

Aluminum, Environmentally Sealed, NTEP Certified 1:5,000 Class III Single Cell, IP66

LOAD CELLS / WEIGH MODULES



Picture is a representation of actual product.

Approvals

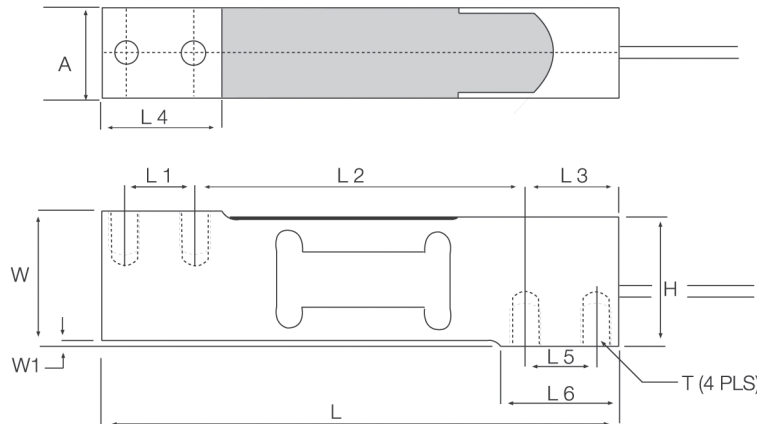


Order Information

Load Rating	Part #	Est. Weight	Price
1 kg	40955	1 lb	\$190.00

Dimensions

Rated Capacity	A	H	L	L1	L2	L3	L4	L5	L6	W	W1	T
kg/mm												
1	20.0	39.0	150.0	19.0	100.0	25.0	34.0	19.0	34.0	40.0	1.0	1/4-20 UNC



Interchangeable Products

- RICE LAKE WEIGHING SYSTEMS
- RLSP4**
- VPG® TEDEA-HUNTLEIGH®
- 1042**
- HBK®
- SP4M**
- FLINTEC®
- PC 42**

Specifications

- Full Scale Output:**  
2.0 mV/V
- Output Resistance:**  
350 (± 3) ohm
- Input Resistance:**  
415 (± 15) ohm
- Material/Finish:**  
Aluminum
- Temperature:**  
Compensated:  
14 °F to 104 °F (-10 °C to 40 °C)  
Operating:  
0 °F to 150 °F (-18 °C to 65 °C)
- Seal Type:**  
Environmentally sealed, IP66
- Safe Overload:**  
150% full scale  
Over-center loading point
- Rated Excitation:**  
5 to 10 VDC (15 V maximum)
- Combined Error:**  
0.02% full scale
- Insulation Resistance:**  
2,000 megohm
- Deflection at Capacity:**  
0.015 in
- Cable Length:**  
10 ft
- Cable Diameter:**  
0.200 in PVC jacket
- Cable Color Code:**  
Green +Excitation  
Black -Excitation  
Red +Signal  
White -Signal  
Blue +Sense  
Brown -Sense
- Max Platform Size:**  
16 × 16 in
- Warranty:**  
Two-year limited
- Approvals:**  
FM  
NTEP 97-138

SINGLE POINT  
**RL1040**

Aluminum, NTEP Certified 1:5,000 Class III Single Cell, Potted and Unpotted, IP65/IP67

LOAD CELLS /  
WEIGH MODULES



Picture is a representation of actual product.

Approvals

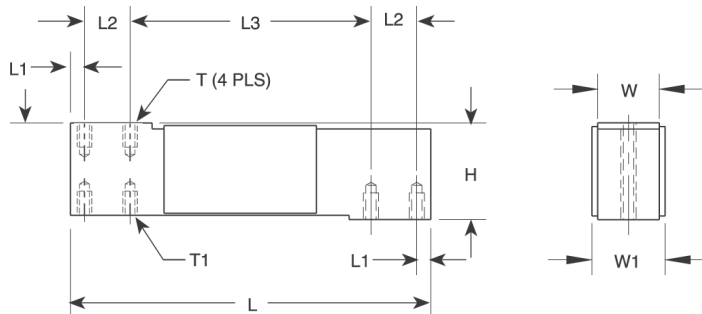


Order Information

Load Rating	Part #	Est. Weight	Price
<b>Potted IP67</b>			
7 kg	32860	2 lb	\$206.00
10 kg	32861	2 lb	\$206.00
15 kg	32862	2 lb	\$206.00
20 kg	32863	2 lb	\$206.00
30 kg	32864	2 lb	\$206.00
50 kg	32865	2 lb	\$206.00
100 kg	32866	2 lb	\$206.00
<b>Unpotted IP65</b>			
5 kg	32859	2 lb	\$206.00

Dimensions

Rated Capacity	H	L	L1	L2	L3	T	T1	W	W1
kg/mm									
5 to 100	40.0	150.0	5.95	19.1	100.0	1/4-20 UNC × 10 DP	1/4-28 UNF × 10 DP	25.4	29.4



Interchangeable Products

VPG® TEDEA-HUNTLEIGH®  
**1040**  
CARDINAL®  
**TSP**

Specifications

- Full Scale Output:** 2.0 mV/V
- Output Resistance:** 350 (± 3) ohm
- Input Resistance:** 415 (± 5) ohm
- Material/Finish:** Anodized aluminum
- Temperature:** Compensated: 14 °F to 104 °F (-10 °C to 40 °C)  
Operating: 0 °F to 150 °F (-18 °C to 65 °C)
- Seal Type:** Potted, IP67  
Unpotted, IP65
- Safe Overload:** 200% at center loading point, full scale
- Rated Excitation:** 5 to 10 VDC (15 V maximum)
- Combined Error:** 0.02% full scale
- Insulation Resistance:** 2,000 megohm
- Deflection at Capacity:** 0.4 mm
- Cable Length:** 10 ft
- Cable Diameter:** 0.200 in PVC jacket
- Cable Color Code:** Green +Excitation  
Black -Excitation  
Red +Signal  
White -Signal  
Blue +Sense  
Brown -Sense
- Max Platform Size:** 15.75 × 15.75 in
- Warranty:** Two-year limited
- Approvals:** cFMus  
NTEP 95-074



Picture is a representation of actual product.

**Approvals**

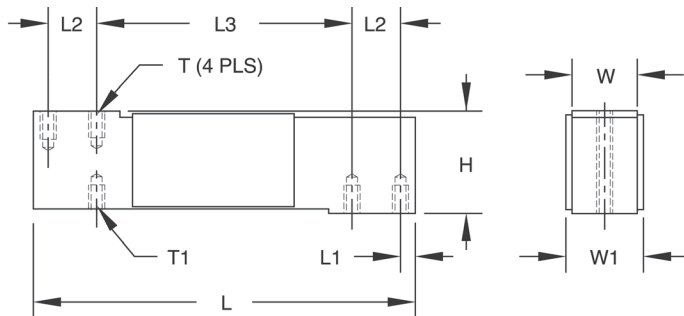


**Order Information**

Load Rating	Part #	Est. Weight	Price
15 kg	17544	3 lb	\$339.00
30 kg	17545	3 lb	\$339.00
50 kg	17546	3 lb	\$339.00
75 kg	17547	3 lb	\$339.00
100 kg	17548	3 lb	\$339.00
150 kg	36467	3 lb	\$339.00

**Dimensions**

Rated Capacity	H	L	L1	L2	L3	T	T1	W	W1
kg/mm									
15 to 150	40.0	150.0	6.0	19.1	100.0	1/4-20 UNC × 10 DP	1/4-28 UNF × 10 DP	25.4	29.4



**Interchangeable Products**

VPG® TEDEA-HUNTLEIGH®  
**1140**

**Specifications**

**Full Scale Output:**

2.0 mV/V

**Output Resistance:**

350 (± 5) ohm, nominal

**Input Resistance:**

383 (± 15) ohm

**Material/Finish:**

Stainless steel

**Temperature:**

Operating:

14 °F to 104 °F (-10 °C to 40 °C)

Compensated:

14 °F to 104 °F (-10 °C to 40 °C)

**Seal Type:**

Environmentally sealed, IP65

**Safe Overload:**

200% at center loading point, full scale

**Rated Excitation:**

5 to 10 VDC (15 V maximum)

**Combined Error:**

0.02% full scale

**Insulation Resistance:**

2,000 megohm

**Deflection at Capacity:**

0.4 mm

**Cable Length:**

10 ft

**Cable Diameter:**

0.200 in PVC jacket

**Cable Color Code:**

Green +Excitation

Black -Excitation

Red +Signal

White -Signal

Blue +Sense

Brown -Sense

**Max Platform Size:**

15.75 × 15.75 in

**Warranty:**

Two-year limited

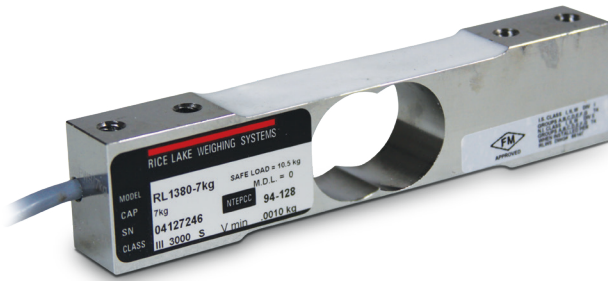
**Approvals:**

cFMus

SINGLE POINT  
**RL1380**

Stainless Steel, Environmentally Sealed, NTEP Certified 1:3,000 Class III Single Cell, IP67

LOAD CELLS /  
WEIGH MODULES



Picture is a representation of actual product.

Approvals

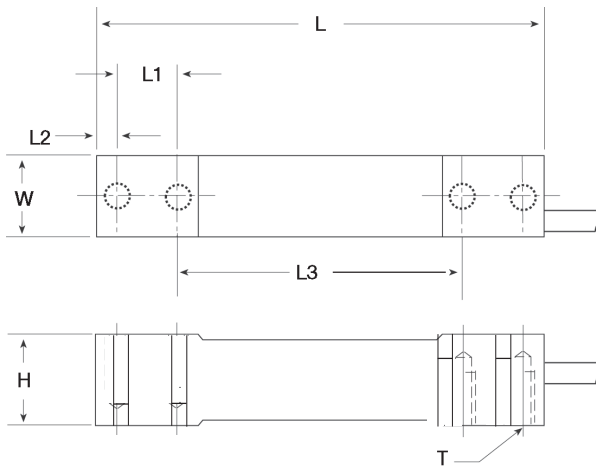


Order Information

Load Rating	Part #	Est. Weight	Price
7 kg	30783	2 lb	\$344.50
10 kg	30782	2 lb	\$344.50
15 kg	30781	2 lb	\$344.50
30 kg	30780	2 lb	\$344.50
60 kg	30779	2 lb	\$344.50

Dimensions

Rated Capacity	H	L	L1	L2	L3	T	W
kg/mm							
7 to 15	30.2	139.7	19.1	6.4	88.9	1/4-20 UNC	19.0
30 to 60	30.2	139.7	19.1	6.4	88.9	1/4-20 UNC	23.6



Interchangeable Products

HBK®  
PWS

Specifications

- Full Scale Output:**  
2.0 mV/V
- Output Resistance:**  
359 (± 10) ohm
- Input Resistance:**  
390 (± 15) ohm
- Material/Finish:**  
Stainless steel
- Temperature:**  
Compensated:  
14 °F to 104 °F (-10 °C to 40 °C)  
Operating:  
0 °F to 150 °F (-18 °C to 65 °C)
- Seal Type:**  
Environmentally sealed, IP67
- Safe Overload:**  
150% full scale
- Rated Excitation:**  
5 to 10 VDC (15 V maximum)
- Combined Error:**  
0.03% full scale
- Insulation Resistance:**  
5,000 megohm
- Deflection at Capacity:**  
<0.4 mm full scale
- Cable Length:**  
10 ft
- Cable Diameter:**  
0.190 in  
Polyurethane jacket
- Cable Color Code:**  
Green +Excitation  
Black -Excitation  
White +Signal  
Red -Signal  
Yellow Shield
- Max Platform Size:**  
15.75 × 15.75 in
- Warranty:**  
Two-year limited
- Approvals:**  
FM  
NTEP 94-128



Picture is a representation of actual product.

**Approvals**

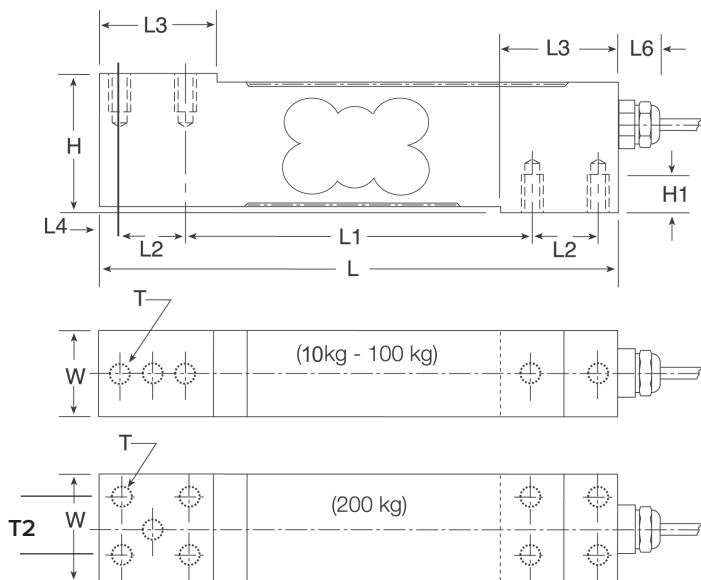


**Order Information**

Load Rating	Part #	Est. Weight	Price
<b>NTEP Certified</b>			
10 kg	41405	3 lb	\$328.00
15 kg	41233	3 lb	\$328.00
30 kg	41234	3 lb	\$328.00
50 kg	41235	3 lb	\$328.00
75 kg	41236	3 lb	\$328.00
<b>Non-NTEP Certified</b>			
100 kg	41237	3 lb	\$310.00
200 kg	41406	4 lb	\$477.00

**Dimensions**

Rated Capacity	H	H1	L	L1	L2	L3	L4	L6	W	T	T2
kg/mm											
10 to 100	40.0	10.0	150.0	100.0	19.0	32.0	6.0	20.0	25.4	1/4-20 UNC x 19.1 DP	N/A
200	40.0	10.0	150.0	100.0	19.0	32.0	6.0	20.0	38.1	1/4-20 UNC x 19.1 DP	25.4



**Interchangeable Products**

FLINTEC®  
PC1

**Specifications**

- Full Scale Output:**  
2.0 mV/V
- Output Resistance:**  
330 (± 25) ohm
- Input Resistance:**  
390 (± 20) ohm
- Material/Finish:**  
Stainless steel
- Temperature:**  
Operating:  
0 °F to 150 °F (-18 °C to 65 °C)
- Seal Type:**  
Environmentally sealed, IP67
- Safe Overload:**  
200% full scale
- Rated Excitation:**  
5 VDC (15 V maximum)
- Combined Error:**  
0.02% full scale
- Insulation Resistance:**  
5,000 megohm
- Cable Length:**  
10 ft
- Cable Diameter:**  
0.196 in  
Polyurethane jacket
- Cable Color Code:**  
Green +Excitation  
Black -Excitation  
White +Signal  
Red -Signal  
Yellow Shield
- Max Platform Size:**  
18 × 18 in
- Warranty:**  
Two-year limited
- Approvals:**  
FM  
NTEP 00-125

SINGLE POINT  
**RL260FD**

Fluid Damped, Stainless Steel, Environmentally Sealed, NTEP Certified Single Cell 1:3,000, IP68

LOAD CELLS /  
WEIGH MODULES



Protective Cover

Picture is a representation of actual product.

Approvals

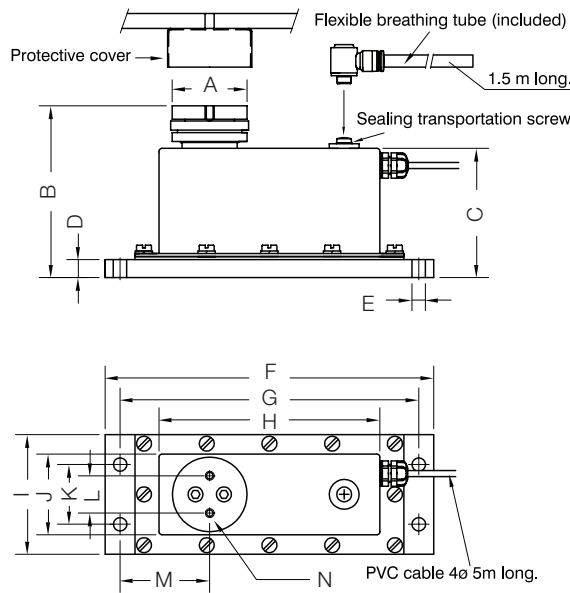


Order Information

Load Rating	Part #	Est. Weight	Price
2 kg	194928	8 lb	\$710.00
3 kg	199001	8 lb	\$710.00
5 kg	194929	8 lb	\$710.00
7 kg	194930	8 lb	\$710.00
10 kg	194932	8 lb	\$710.00
15 kg	194933	8 lb	\$710.00
20 kg	194934	8 lb	\$710.00
30 kg	194935	8 lb	\$710.00
50 kg	194936	16 lb	\$710.00

Dimensions

Rated Capacity	A	B	C	D	E	F	G	H	I	J	K	L	M	N
kg/mm														
2 to 50	50 dia	115.0	86.5	12.0	9.0	220.0	200.0	148.0	80.0	54.0	40.0	25.0	60.0	1/4-20 UNC



Interchangeable Products

VPG® TEDEA-HUNTLEIGH®  
**240\***

\*5000d NTEP, 10ft cable

Specifications

**Full Scale Output:**

2.0 mV/V

**Output Resistance:**

350 (± 3) ohm

**Input Resistance:**

400 (± 20) ohm

**Material/Finish:**

Stainless steel

**Temperature:**

Compensated:

14 °F to 104 °F (-10 °C to 40 °C)

Operating:

0 °F to 150 °F (-18 °C to 65 °C)

**Seal Type:**

Environmentally sealed, IP68

**Safe Overload:**

200% of full scale

**Rated Excitation:**

5 to 10 VDC

**Combined Error:**

0.017% full scale

**Insulation Resistance:**

> 5,000 megohm

**Cable Length:**

5 m

**Cable Color Code:**

Green +Excitation

Black -Excitation

Red +Signal

White -Signal

Blue +Sense

Yellow -Sense

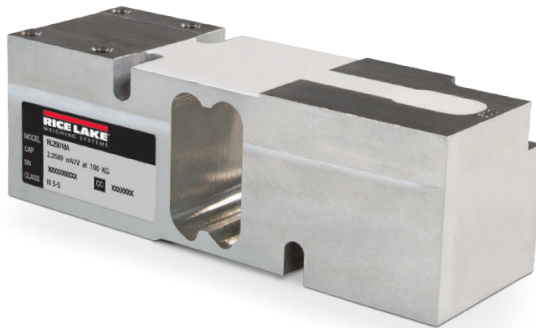
**Warranty:**

Two-year limited

**Approvals:**

NTEP 20-045

cFMus



Picture is a representation of actual product.

**Approvals**

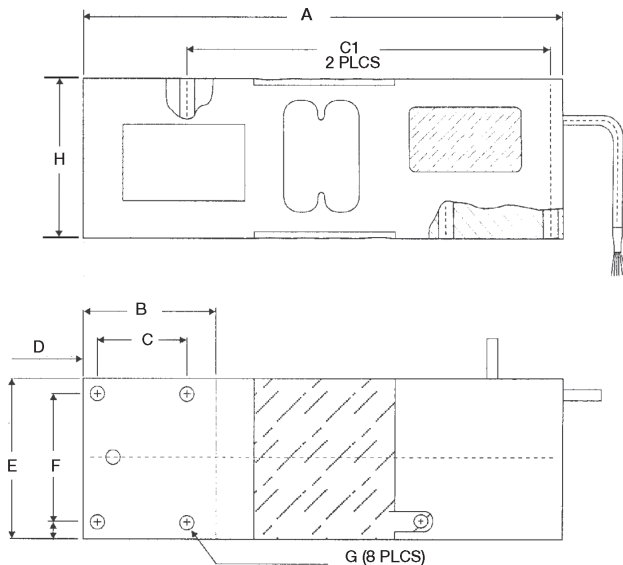


**Order Information**

Load Rating	Part #	Est. Weight	Price
50 kg	<b>188682</b>	5 lb	\$290.00
75 kg	<b>188683</b>	5 lb	\$290.00
100 kg	<b>188684</b>	5 lb	\$290.00
150 kg	<b>188685</b>	5 lb	\$290.00
200 kg	<b>188686</b>	5 lb	\$290.00
250 kg	<b>188687</b>	5 lb	\$290.00
300 kg	<b>188688</b>	5 lb	\$290.00
500 kg	<b>188689</b>	5 lb	\$290.00
635 kg	<b>188690</b>	5 lb	\$290.00

**Dimensions**

Rated Capacity	A	B	C	C1	D	E	F	G	H
kg/mm									
50 to 635	188.0	52.0	35.0	142.0	5.5	63.5	50.0	5/16-18 UNC	62.3



**Interchangeable Products**

RICE LAKE WEIGHING SYSTEMS

**RLPWM16**

RICE LAKE WEIGHING SYSTEMS

**RL1260**

VPG® TEDEA-HUNTLEIGH®

**1260**

**Specifications**

**Full Scale Output:**

2.0 mV/V nominal

**Output Resistance:**

350 (± 3) ohm

**Input Resistance:**

415 (± 15) ohm

**Material/Finish:**

Anodized aluminum

**Temperature:**

Compensated:

14 °F to 104 °F (-10 °C to 40 °C)

Operating:

0 °F to 150 °F (-18 °C to 65 °C)

**Seal Type:**

Environmentally sealed, IP67

**Safe Overload:**

150% of full scale

**Rated Excitation:**

5 to 10 VDC (15 V maximum)

**Combined Error:**

0.02% full scale

**Insulation Resistance:**

> 5,000 megohm

**Deflection at Capacity:**

0.3 to 0.5 mm

**Cable Length:**

10 ft

**Cable Color Code:**

Green +Excitation

Black -Excitation

Red +Signal

White -Signal

Blue +Sense

Yellow -Sense

**Warranty:**

Two-year limited

**Approvals:**

cFMus

NTEP 18-108

LOAD CELLS /  
WEIGH MODULES

SINGLE POINT  
**RL1218A**

Aluminum, Environmentally Sealed, NTEP Certified 1:5,000 Class III Single Cell, IP67

LOAD CELLS /  
WEIGH MODULES



Picture is a representation of actual product.

Approvals

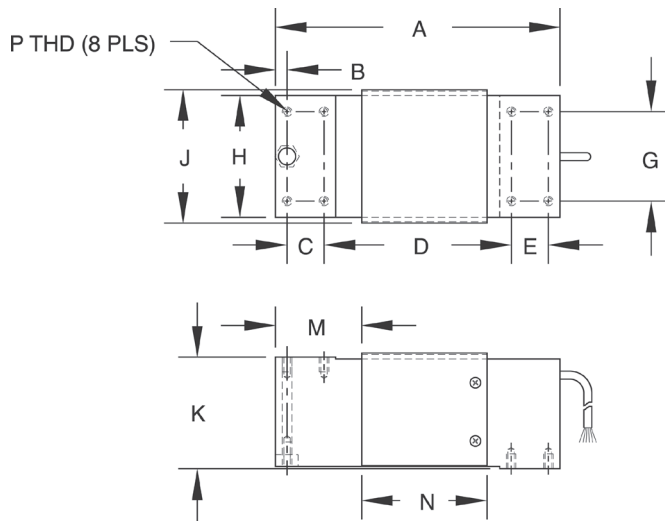


Order Information

Load Rating	Part #	Est. Weight	Price
50 kg	191096	5 lb	\$328.00
75 kg	191097	5 lb	\$328.00
100 kg	191098	5 lb	\$328.00
150 kg	191099	5 lb	\$328.00
200 kg	191100	5 lb	\$328.00
250 kg	191101	5 lb	\$328.00
300 kg	191102	5 lb	\$328.00
500 kg	191103	5 lb	\$328.00
635 kg	191104	5 lb	\$328.00
1,000 kg	191105	5 lb	\$328.00

Dimensions

Rated Capacity	A	B	C	D	E	G	H	J	K	M	N	P
kg/mm												
50 to 1,000	191.0	8.0	25.0	125.0	25.0	60.0	75.0	82.0	75.0	57.5	85.0	5/16-18 UNC x 15 DP



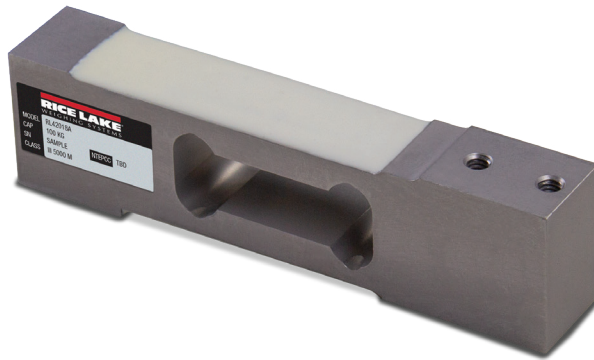
Interchangeable Products

RICE LAKE WEIGHING SYSTEMS  
**RLPWM12**  
VPG® TEDEA-HUNTLEIGH®  
**1250**

Specifications

- Full Scale Output:** 2.0 mV/V nominal
- Output Resistance:** 350 (± 3) ohm
- Input Resistance:** 415 (± 15) ohm
- Material/Finish:** Anodized aluminum
- Temperature:** Compensated: 14 °F to 104 °F (-10 °C to 40 °C)  
Operating: 0 °F to 150 °F (-18 °C to 65 °C)
- Seal Type:** Environmentally sealed, IP67
- Safe Overload:** 150% full scale
- Rated Excitation:** 5-10 VDC (15 V maximum)
- Combined Error:** 0.02% full scale
- Insulation Resistance:** > 5,000 megohm
- Deflection at Capacity:** 0.4 mm
- Cable Length:** 10 ft
- Cable Color Code:** Green +Excitation  
Black -Excitation  
Red +Signal  
White -Signal  
Blue +Sense  
Yellow -Sense
- Max Platform Size:** 50 to 500 kg: 800 × 800 mm  
635 to 1,000 kg: 600 × 600 mm
- Warranty:** Two-year limited
- Approvals:** cFMus  
NTEP 18-133





Picture is a representation of actual product.

**Approvals**

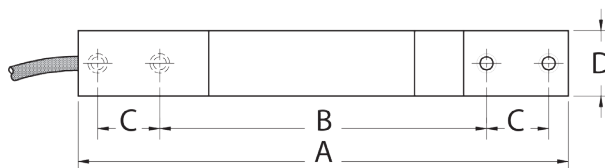
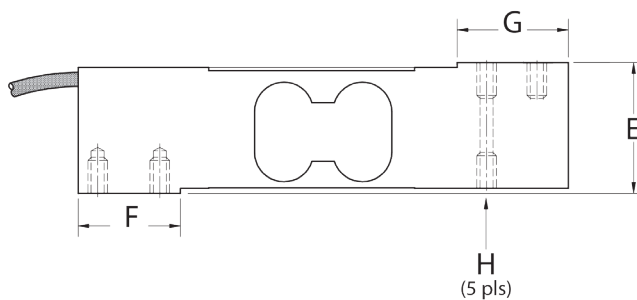


**Order Information**

Load Rating	Part #	Est. Weight	Price
3 kg	<b>188672</b>	2 lb	\$190.00
5kg	<b>188673</b>	2lb	\$190.00
7 kg	<b>188674</b>	2lb	\$190.00
10 kg	<b>188675</b>	2lb	\$190.00
15 kg	<b>188676</b>	2lb	\$190.00
20 kg	<b>188677</b>	2lb	\$190.00
30 kg	<b>188678</b>	2lb	\$190.00
50 kg	<b>188679</b>	2lb	\$190.00
75 kg	<b>188680</b>	2lb	\$190.00
100 kg	<b>188681</b>	2lb	\$190.00

**Dimensions**

Rated Capacity	A	B	C	D	E	F	G	H
kg/mm								
3 to 30	150.0	100.0	19.0	20.0	40.0	31.2	34.0	1/4-20 UNC
50 to 100	150.0	100.0	19.0	25.4	40.0	31.2	34.0	1/4-20 UNC



**Interchangeable Products**

RICE LAKE WEIGHING SYSTEMS

**RL1042**

RICE LAKE WEIGHING SYSTEMS

**RLSP4**

VPG® TEDEA-HUNTLEIGH®

**1042**

HBK®

**SP4M\***

\*Color code is different

**Specifications**

**Full Scale Output:**

2.0 mV/V ± 10%

**Output Resistance:**

350 (± 3) ohm

**Input Resistance:**

400 (± 20) ohm

**Material/Finish:**

Aluminum

**Temperature:**

Compensated:

14 °F to 104 °F (-10 °C to 40 °C)

Operating:

0 °F to 150 °F (-18 °C to 65 °C)

**Seal Type:**

Environmentally sealed, IP66

**Safe Overload:**

150% of full scale at center loading point

**Rated Excitation:**

10 VDC

**Combined Error:**

0.02% full scale

**Insulation Resistance:**

> 5,000 megohm

**Deflection at Capacity:**

0.3 to 0.5 mm

**Cable Length:**

10 ft

**Cable Color Code:**

Green +Excitation

Black -Excitation

Red +Signal

White -Signal

Blue +Sense

Yellow -Sense

**Max Platform Size:**

15.75 × 15.75 in max

**Warranty:**

Two-year limited

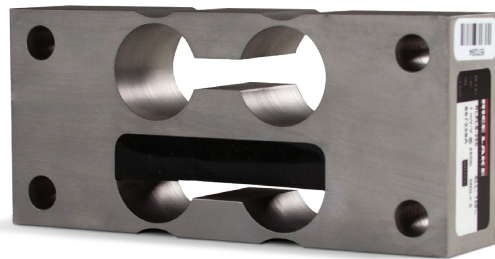
**Approvals:**

cFMus

NTEP 18-105



LOAD CELLS / WEIGH MODULES



Picture is a representation of actual product.

**Interchangeable Products**  
 AVERY WEIGH-TRONIX®  
**FLS**

### Specifications

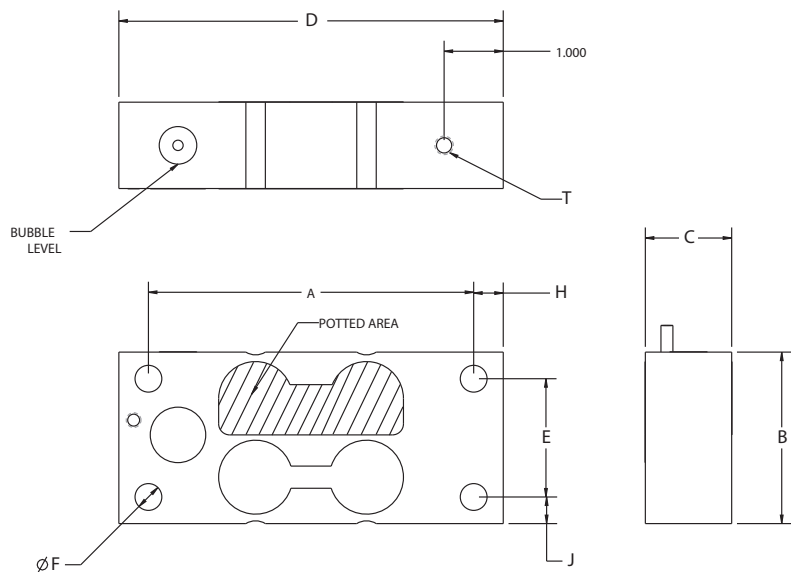
- Full Scale Output:**  
1.0 (± 10%) mV/V
- Output Resistance:**  
350 (± 3) ohm
- Input Resistance:**  
385 (± 10) ohm
- Material/Finish:**  
Stainless steel
- Temperature:**  
Operating:  
0 °F to 150 °F (-18 °C to 65 °C)
- Seal Type:**  
Environmentally sealed, IP67
- Safe Overload:**  
150% full scale
- Rated Excitation:**  
5 to 15 VDC
- Nonlinearity:**  
0.02% full scale
- Hysteresis:**  
0.02% full scale
- Insulation Resistance:**  
5,000 megohm
- Cable Length:**  
10 ft
- Cable Color Code:**  
Green +Excitation  
Black -Excitation  
Red +Signal  
White -Signal
- Warranty:**  
Two-year limited

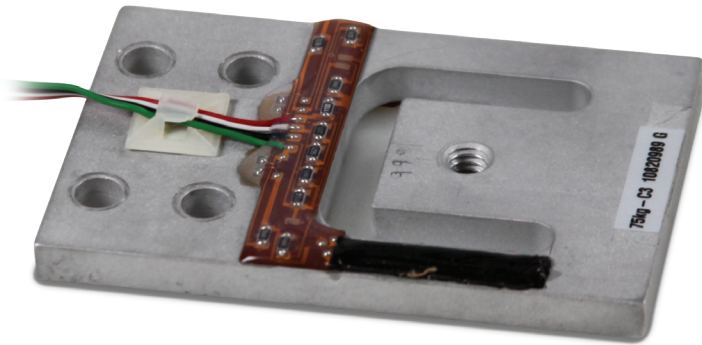
### Order Information

Load Rating	Part #	Est. Weight	Price
50 lb	125612	3 lb	\$650.00

### Dimensions

Rated Capacity	A	B	C	D	E	F	H	J	T
50 lb/in	5.50	2.90	0.74	6.50	2.00	0.50	0.50	0.45	5/16-18 UNC x 0.50





Picture is a representation of actual product.

**Interchangeable Products**

FLINTEC®  
PB

**Specifications**

- Full Scale Output:**  
1.0 mV/V
- Output Resistance:**  
1,000 (± 10) ohm
- Input Resistance:**  
1,180 (± 50) ohm
- Material/Finish:**  
Aluminum
- Temperature:**  
Operating:  
0 °F to 150 °F (-18 °C to 65 °C)
- Seal Type:**  
Environmentally sealed, IP65
- Safe Overload:**  
150% full scale
- Rated Excitation:**  
5 to 15 VDC
- Combined Error:**  
0.05% full scale
- Insulation Resistance:**  
5,000 megohm
- Cable Length:**  
15 kg: 1.0 m  
37.5 kg, 75 kg, 150 kg: 1.5 m
- Cable Color Code:**  
Green +Excitation  
Black -Excitation  
White +Signal  
Red -Signal
- Warranty:**  
Two-year limited

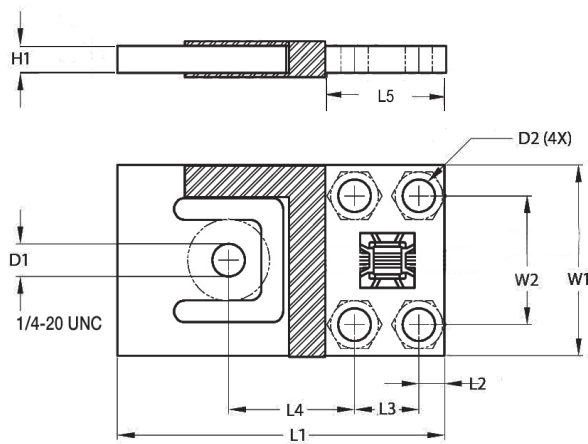
**LOAD CELLS / WEIGH MODULES**

**Order Information**

Load Rating	Part #	Est. Weight	Price
15 kg	100272	1 lb	\$87.00
37.5 kg	104645	1 lb	\$92.00
75 kg	100273	1 lb	\$97.00
150 kg	100274	1 lb	\$102.00

**Dimensions**

Rated Capacity	L1	L2	L3	L4	L5	W1	W2	H1	D1	D2
kg/mm										
15.0	70.0	4.9	14.0	28.0	23.7	39.0	27.8	4.1	7.6	5.1
37.5	76.2	6.0	15.0	29.3	27.0	44.5	30.0	4.8	7.6	6.6
75.0	84.4	6.4	15.0	34.0	27.7	54.8	30.0	6.4	7.6	6.6
150.0	107.3	7.8	22.9	45.9	38.4	69.9	44.5	7.9	9.1	8.1



TENSION LINK  
**RL2010**

Stainless Steel, Environmentally Sealed, IP67

LOAD CELLS /  
WEIGH MODULES



Picture is a representation of actual product.

**Order Information**

Load Rating	Part #	Est. Weight	Price
5,000 lb	117731	5 lb	\$1,430.00
10,000 lb	117732	5 lb	\$1,430.00
25,000 lb	117733	8 lb	\$1,690.00
50,000 lb	117735	34 lb	\$2,915.00
75,000 lb	117736	34 lb	\$2,915.00
100,000 lb	117737	56 lb	\$3,127.00
150,000 lb	117738	56 lb	\$3,127.00
200,000 lb	117739	95 lb	\$5,565.00
250,000 lb	117740	117 lb	\$5,989.00
300,000 lb	117741	191 lb	\$8,427.00
500,000 lb	117742	191 lb	\$8,427.00
<b>Replacement Parts</b>			
40 ft load cell cable	187132		\$175.00

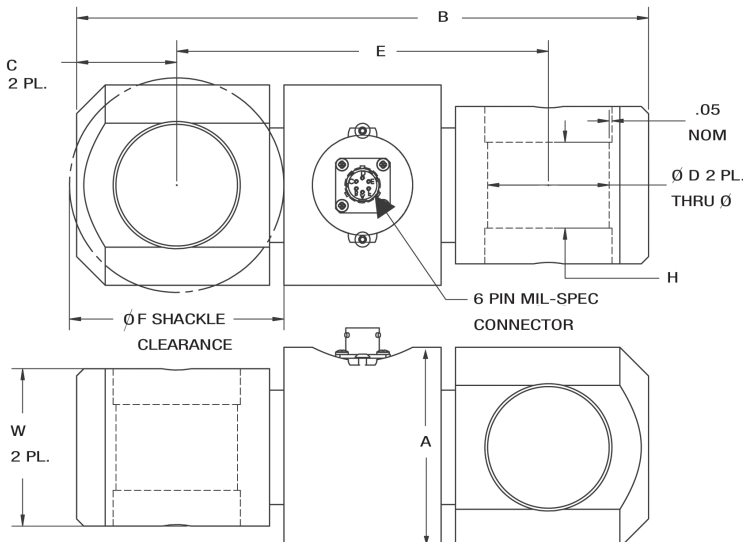
NOTE: Consult factory for shackles

**Specifications**

- Full Scale Output:**  
3.0 (± 0.1%) mV/V
- Bridge Resistance:**  
350 ohm, nominal
- Material/Finish:**  
Stainless steel
- Temperature:**  
Operating:  
0 °F to 150 °F (-18 °C to 65 °C)
- Seal Type:**  
Environmentally sealed, IP67
- Safe Overload:**  
150% full scale
- Rated Excitation:**  
5 to 10 VDC (15 V maximum)
- Linearity:**  
0.05% full scale
- Repeatability:**  
0.03% full scale
- Insulation Resistance:**  
5,000 megohm
- Cable Length:**  
40 ft
- Cable Diameter:**  
0.25 in  
Polyurethane jacket with connector
- Cable Color Code:**  
Green +Excitation  
Black -Excitation  
White +Signal  
Red -Signal
- Warranty:**  
Two-year limited

**Dimensions**

Rated Capacity	A	B	C	ØD	E	ØF	W	H
5,000 to 10,000	2.00	6.50	1.00	1.05	4.50	2.38	1.37	0.75
25,000	2.75	8.00	1.38	1.55	5.25	2.88	2.00	1.00
50,000 to 75,000	3.25	14.00	2.50	2.31	9.00	5.00	3.00	1.75
100,000 to 150,000	4.00	16.00	2.88	2.88	10.25	6.25	4.00	2.00
200,000	6.00	18.00	3.25	3.38	11.50	6.50	4.75	2.38
250,000	6.50	20.00	3.75	3.88	12.50	7.50	5.00	2.75
300,000 to 500,000	7.50	24.00	4.50	4.31	15.00	9.50	5.40	3.00





## Standard Features

- Designed and manufactured to each integrated solution. Machined from 17-4 stainless steel for safety, strength and corrosion resistance.
- (Contact MSI for application consultation)

For most overhead weighing applications, traditional scales are an ideal solution. However, applications with limited to no headroom require specialty equipment beyond even reduced-height or low-profile crane scales.

One such solution is an MSI load pin sensor. A load pin sensor is a type of load cell that directly replaces clevis, pivot, normal shaft or equalizer pins. Load pin sensors are designed to be permanently installed, so they can continuously monitor vertical or horizontal tension. An integrated load pin provides load monitoring and overload protection without impacting headroom to promote safety and to prevent costly equipment damage.

Rice Lake's industry leading engineers design and manufacture custom load pin sensors for any application. Every load pin is constructed from stainless steel for safety, strength (minimum 5:1) and corrosion resistance.

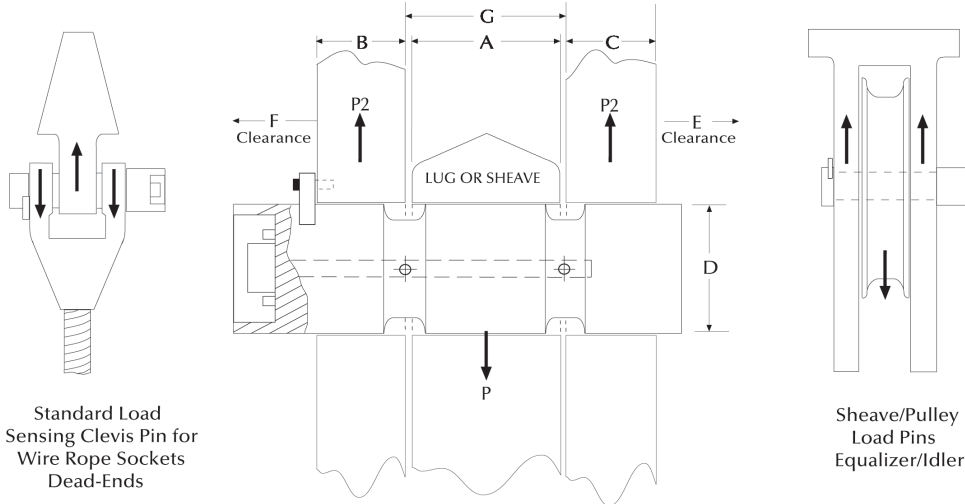
To receive a quote for a load pin sensor, complete the load pin questionnaire on page 784 or online at [www.ricelake.com/questionnaires](http://www.ricelake.com/questionnaires). For further assistance, contact an MSI overhead weighing specialist.

# MSI Load Pin Questionnaire

LOAD CELLS / WEIGH MODULES

Name: \_\_\_\_\_  
 Company: \_\_\_\_\_  
 Phone: \_\_\_\_\_

## LOAD PIN CRITICAL DIMENSIONS



A=Width	B=Width	C=Width	D=Diameter	E=Clearance	F=Clearance	G=Width
inch	inch	inch	inch	inch	inch	inch

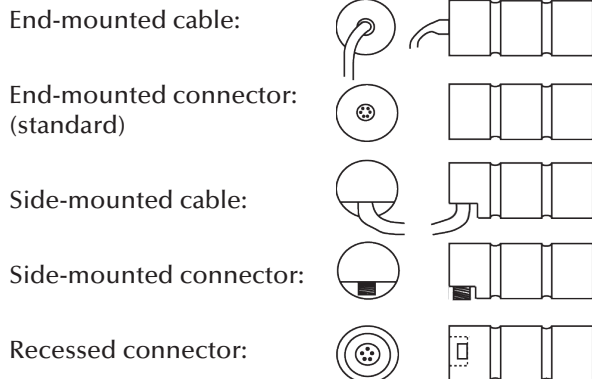
NOTE: Minimum clearance between A and G is 0.0625 inch

## LOAD PIN DATA

Lube port:  Yes  No \_\_\_\_\_ # of exits  
 Hoist capacity: \_\_\_\_\_ tons  
 Parts of wire rope: \_\_\_\_\_  
 Sensor capacity: \_\_\_\_\_ tons  
 Safety factor:  3:1  5:1  7:1  10:1  
 Application: \_\_\_\_\_

Accuracy requirement: \_\_\_\_\_  
 Temperature requirement: \_\_\_\_\_  
 Output requirement: \_\_\_\_\_  
 Material testing requirements: \_\_\_\_\_  
 Load vector orientation/alignment:  
 ←  →  ↑  ↓

## CABLE CONNECTIONS



Sensor's cable length: \_\_\_\_\_ feet

Comments: \_\_\_\_\_  
 \_\_\_\_\_  
 \_\_\_\_\_  
 \_\_\_\_\_  
 \_\_\_\_\_

Form #0201 New 10/2024



## Standard Features

- Integrates between a crane block and lifting equipment to provide force measurement for lifted items. This ideal integration for cranes features a 7:1 safety factor for compliance with industrial and military safety requirements.

## Options

(Contact MSI for application consultation)

- Crosby® top and bottom shackles

## Specifications

### Full Scale Output:

0.8 mV/V

### Output Resistance:

2,000 ohm

### Input Resistance:

1,500 ohm

### Material/Finish:

4340 steel

### Connector Pin Out:

A: EX +

B: Sig +

C: Sig -

D: EX -

### Accuracy:

0.1% sensor accuracy

## Part Number/Price

Part #	Description	Price
181907	2 K 7200 style load cell only	Consult
181908	5 K 7200 style load cell only	Consult
181909	10 K 7200 style load cell only	Consult
178093	25 K 7200 style load cell only	Consult
178094	50 K 7200 style load cell only	Consult
181910	100 K 7200 style load cell only	Consult

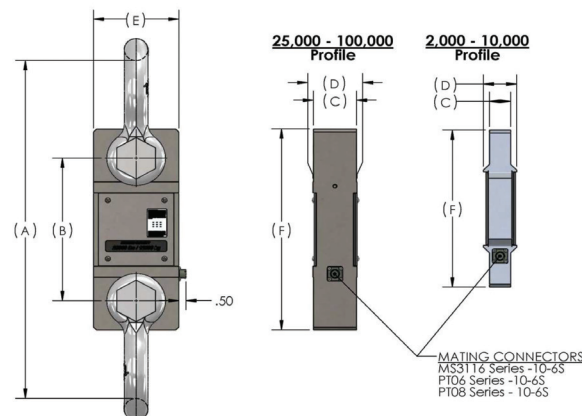
Contact factory for higher capacities

## Options/Accessories

Part #	Description	Price
165978	Load cell to MSI-7001 interface cable, 6.5 ft	\$345.00
165979	Load cell to MSI-7001 interface cable, 10 ft	\$365.00
165990	Load cell to MSI-7001 interface cable, 25 ft	\$460.00
134505	Load cell mating cable to bare wires, 10 ft	\$195.00

## Dimensions

Capacity (lbs)	P/N	Load Cell Material	(A) Headroom Loss	(B) C-C Length	(C) Lug Thk	(D) Body Thk	(E) Body Width	(F) Body Length	Lug Hole	Crosby Shackle
2,000	181907	Aluminum	13.50 in	8.00 in	0.99 in	2.13 in	4.50 in	9.75 in	0.78 in	3-1/4 T 151357
5,000	181908	Aluminum	13.50 in	8.00 in	0.99 in	2.13 in	4.50 in	9.75 in	0.78 in	3-1/7 T 151357
10,000	181909	Aluminum	16.13 in	8.50 in	1.35 in	2.13 in	5.37 in	10.75 in	1.05 in	6-1/2 T 151355
25,000	178093	Steel	22.39 in	9.26 in	2.24 in	2.24 in	4.80 in	12.76 in	1.67 in	17 T 141992
50,000	178094	Steel	25.74 in	9.76 in	2.74 in	2.81 in	5.43 in	13.76 in	2.05 in	25 T 151356
100,000	181910	Steel	28.49 in	10.74 in	3.09 in	3.09 in	6.86 in	15.74 in	2.30 in	55 T 146336



# MSI Clamp-On

Load Cell

LOAD CELLS /  
WEIGH MODULES



## Standard Features

- A durable solution for measuring wire rope tension and preventing overloads for cranes and hoists. Available in two envelopes for accommodating the most common wire ropes. Weight-based setpoints can provide the operator alerts and safety shut-offs based on unsafe load conditions.

## Options

(Contact MSI for application consultation)

- Custom sizes available on request
- Pair with an SCT transmitter for basic safety functions

## Specifications

**System Accuracy of Calibrated Capacity:**  
3 to 5%

**Output Resistance:**  
350 ohm

**Material/Finish:**  
4340 steel, zinc plated

**IP Rating:**  
IP68

**Cable Length:**  
20 ft integral cable with blunt end termination

**Cable Color Code:**  
Red +Excitation  
Black -Excitation  
Green +Signal  
White -Signal

## Part Number/Price

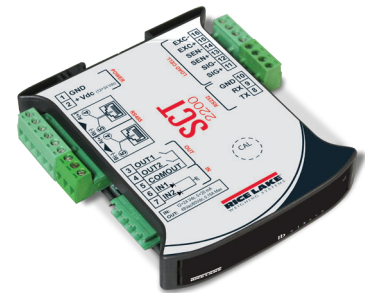
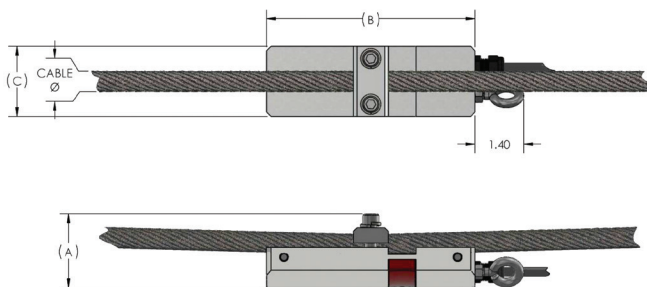
Part #	Description	Price
<b>179080</b>	Load Cell Assembly Clamp-On for 3/8 to 1/2 in wire rope	\$790.00
<b>179082</b>	Load Cell Assembly Clamp-On for 9/16 to 3/4 in wire rope	\$940.00
<b>188816</b>	Kit with SCT-2200 for 3/8 to 1/2 in wire rope	\$1,400.00
<b>188817</b>	Kit with SCT-2200 for 9/16 to 3/4 in wire rope	\$1,550.00

Larger diameter clamp ons available - call for pricing

## Dimensions

Cable Range	Part #	A	B	C
3/8 to 1/2	<b>179080</b>	Cable + 1.70	6.00	2.00
9/16 to 3/4	<b>179082</b>	Cable + 1.67	6.00	2.00

\*8mm cable can be used with PN 179080



Optional SCT-2200 transmitter