

Aviation

TABLE OF CONTENTS

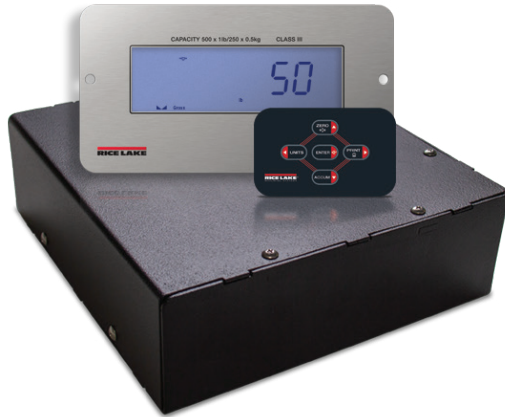
Tracer® AV2	40
<i>Baggage Weighing Instrumentation</i>	

AVIATION

The following product names, logos, brands and other trademarks featured or referred to within this publication are the property of their respective trademark holders.

Tracer® AV2

Baggage Weighing Instrumentation



Approvals



Ideal for baggage weighing, Tracer AV2 combines a sleek five-button keypad with the most durable stainless steel display. The easy-to-install display features a large, backlit LCD display and the rugged keypad will endure years of busy check-in counter use.

Part Number/Price

Part #	Description	Price
202532	Tracer AV2, single LCD panel mount display, single keypad	\$2,060.00
202531	Tracer AV2, dual LCD panel mount display, single keypad	\$2,495.00
207287	Tracer AV2, dual LCD panel mount display, dual keypad	\$2,595.00
204452	Tracer AV2, single LCD external mount display, single keypad	\$2,110.00
204451	Tracer AV2, dual LCD external mount display, Single keypad	\$2,645.00

To complete your system, refer to page 188 for the BenchMark LP or page 189 for the BenchMark HD scales

Replacement Parts

Part #	Description	Price
205206	Tracer AV2 CPU module	\$1,075.00
207288	Kit, RD2 LCD display	\$510.00
207289	Kit, RD2 LCD display, external mount package	\$565.00
207290	Kit, five-button keypad	\$225.00
15438	Power cord, detachable, 7.5 ft long	\$25.00
203937	Power supply, 7.5 V 30 W	\$185.00
207302	Cable splitter, DB9 female to DB9 male connector	\$11.00

Standard Features

- Customer display (panel mount)
- CPU module
- Supports two displays (customer/agent)
- Five-button keypad for ticket agent
- Accumulation function
- Display indicates overweight bag

Specifications

Power:

115 to 230 VAC to CPU module
50/60 Hz

Power Consumption:

6 W

Excitation Voltage:

5 VDC, 8 x 350 ohm load cells

Analog Signal Input Range:

-0.5 mV/V to 4.5 mV/V

Analog Signal Sensitivity:

1 µV/graduation recommended

A/D Sample Rate:

6.25 to 120 Hz, software selectable

Resolution:

Internal: 8,000,000 counts
Display: 1,000,000

System Linearity:

Within 0.01% full scale

Communication:

Ethernet TCP/IP
USB Device

Annunciators:

lb/kg

Display:

Stainless steel, panel mounted, seven-digit LCD display, 0.8 in (20 mm) tall digits

Keys/Buttons:

Zero, Units, Accum, Print, Enter

Temperature Range:

14 °F to 104 °F (-10 °C to 40 °C)

Dimensions:

Panel Mount Display:
7.5 x 4.0 x 1.49 in
(19.05 x 10.16 x 3.79 cm)
External Mount Display:
7.5 x 3.9 x 1.44 in
(19.05 x 9.91 x 3.66 cm)
Panel Mount Keypad:
4.0 x 2.5 x 2.1 in
(10.16 x 6.35 x 5.33 cm)
CPU Enclosure:
7.5 x 7.0 x 2.25 in
without mounting feet
11.13 x 7.0 x 3.06 in
with mounting feet

Weight:

5.25 lb

Warranty:

Two-year limited

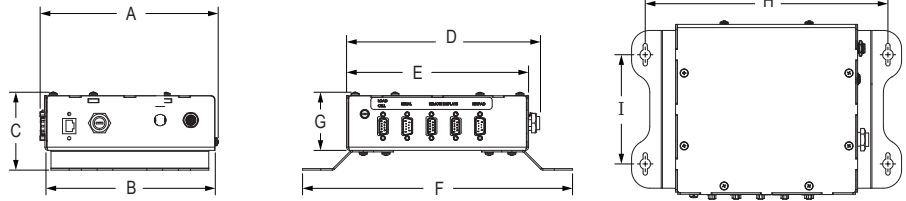
Approvals:

NTEP 21-015, Class III/IIIL, 10,000d
Measurement Canada AM-6168C
cULus

Dimensions

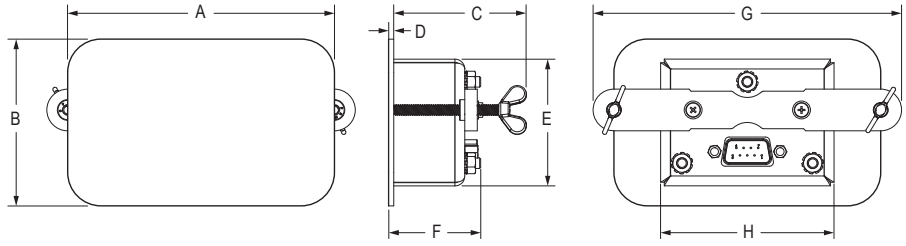
CPU Enclosure Assembly

A	7.30 in (18.55 cm)	F	11.10 in (28.20 cm)
B	7.00 in (17.78 cm)	G	2.40 in (6.10 cm)
C	3.20 in (8.13 cm)	H	10.00 in (25.40 cm)
D	8.00 in (20.32 cm)	I	4.50 in (11.43 cm)
E	7.50 in (19.05 cm)		



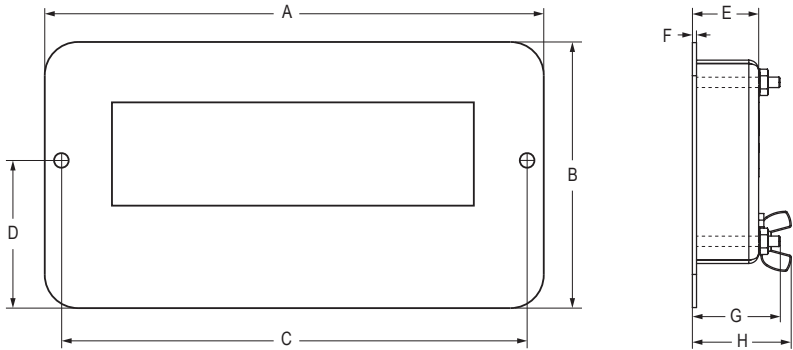
Remote Keypad (Panel Mount)

A	4.00 in (10.16 cm)	E	1.90 in (4.83 cm)
B	2.50 in (6.35 cm)	F	1.38 in (3.51 cm)
C	1.98 in (5.03 cm)	G	4.63 in (11.76 cm)
D	0.063 in (0.16 cm)	H	2.60 in (6.61 cm)



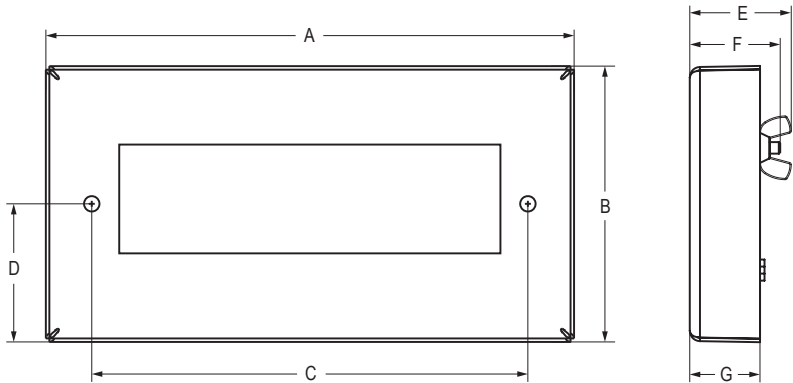
Remote Display (Panel Mount)

A	7.50 in (19.05 cm)	E	1.00 in (2.54 cm)
B	4.00 in (10.16 cm)	F	0.06 in (0.16 cm)
C	7.00 in (17.78 cm)	G	1.33 in (3.38 cm)
D	2.22 in (5.64 cm)	H	1.49 in (3.79 cm)



Remote Display (External Mount)

A	7.50 in (19.05 cm)	E	1.44 in (3.66 cm)
B	3.90 in (9.91 cm)	F	1.29 in (3.28 cm)
C	6.22 in (15.80 cm)	G	1.00 in (2.54 cm)
D	1.95 in (4.96 cm)		



AVIATION

