

Remote Displays / Scoreboards

TABLE OF CONTENTS

LaserLight2™	930
<i>Remote Display</i>	
LaserLight3™	932
<i>Color Messaging Remote Display</i>	
LaserLT-60 and LaserLT-100	934
<i>Remote Display or Weight Indicators</i>	
RD-232	936
<i>Remote Display</i>	
RD-300	937
<i>Remote Display</i>	

REMOTE DISPLAYS /
SCOREBOARD

Product names, logos, brands and other trademarks featured or referred to within this publication are the property of their respective trademark holders.

LaserLight2™

Remote Display



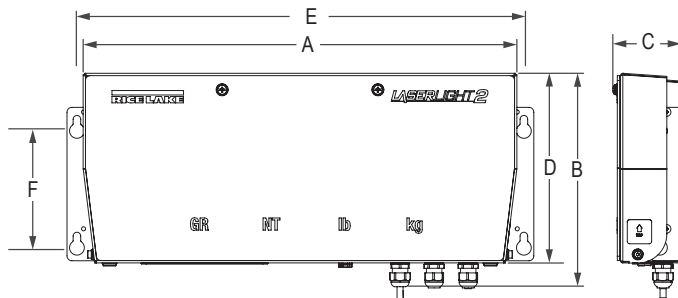
Dimensions

LaserLight2			
22-in Enclosure (Four-in Model)			
A	22.28 in (565 mm)	D	9.80 in (250 mm)
B	10.96 in (280 mm)	E	23.00 in (584 mm)
C	3.28 in (85 mm)	F	6.00 in (152 mm) 3/8 in bolt
31-in Enclosure (Six-in and Stop & Go Models)			
A	30.63 in (780 mm)	D	12.77 in (325 mm)
B	13.94 in (355 mm)	E	31.00 in (787 mm)
C	3.73 in (95 mm)	F	7.75 in (197 mm) 3/8 in bolt

(Flanges add 2.00 in width)

Standard Features

- Available with a 4 in (100 mm) or 6 in (150 mm) digit display
- Six high-intensity red digits (double-row discrete LED)
- Time and date displayed when scale is empty
- Auto Learn mode of communication protocols
- Hold displayed weight (demand input)
- Software selectable standstill mode for no updates while in motion
- Setting for 10 levels, daylight/night intensity
- Non-glare contrast filtered lens
- Mirror (reverse image) function
- Wall mounted with side flanges or with VESA mount
- Gore-Tex® breather vent inhibits internal moisture buildup
- Red, green and arrow lights in stop/go version, set with either digital input or serial command



Specifications

Display:

6-digit, 7-segment discrete red LED lamps
Contrast enhanced optical filtering lens
1 or 2 place decimal or comma indication
4 annunciators for GR, NT, lb, kg
4-inch red, green ball/arrow in stop/go model

Maximum Viewing Distance:

4 in: 100 ft (30 m)
6 in: 150 ft (46 m)

Input Interface:

RS-232, RS-485, 20 mA current loop (active or passive, switch selectable)

Output Interface:

Configurable echo out port or RS-232

Input Data Format:

Baud Rate: 1200, 2400, 4800, 9600 and 19200
Self-learning or software selectable

Character Format:

7 or 8 data bits; even, odd, or no parity; 1 or 2 stop bits, self-learning or software selectable

Update:

Continuous or out-of-motion only;
software selectable

Power Consumption:

AC voltages: 100/240 VAC; 50/60 Hz
4 in: 21 watt
6 in: 27 watt

Time:

Software enable/disable, 12- or 24-hour format

Date:

Software enable/disable, US or ISO format

Rating/Material:

IP66 weather tight, mild steel, powder coated

Weight:

4-inch: 20 lb (9 kg)
6-inch: 25 lb (11 kg)

Temperature:

Operating:
-40 °F to 120 °F (-40 °C to 49 °C)

Warranty:

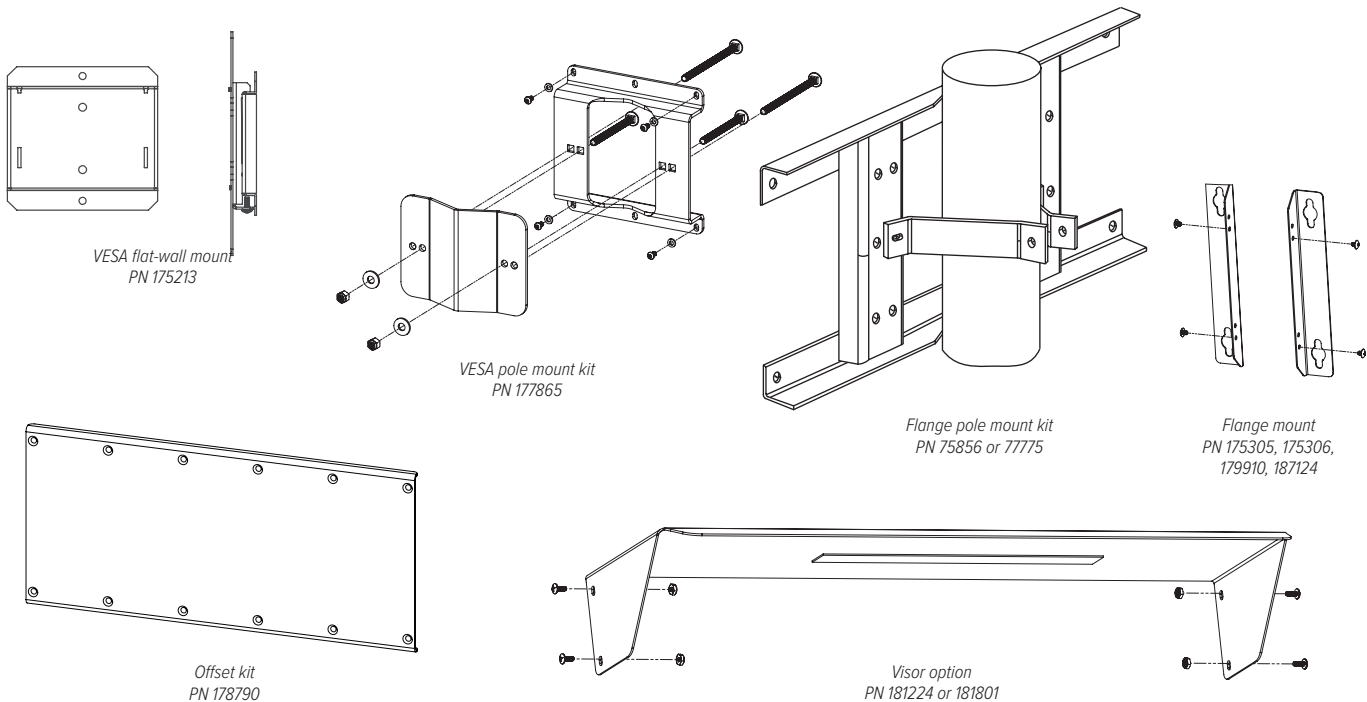
Two-year limited

Part Number/Price

Part #	Description	Est. Weight	Price
Includes Flange Mount Hardware			
167091	LaserLight2 remote display 4-in (100 mm) includes PN 175305	20 lb	\$2,015.00
167092	LaserLight2 remote display 6-in (150 mm) includes PN 175306	25 lb	\$2,550.00
167093	LaserLight2 remote display stop/go 4-in (100 mm) includes PN 175306	25 lb	\$2,550.00
175286	LaserLight2 remote display 4-in (100 mm) stainless steel includes PN 179910	20 lb	\$2,400.00
187120	LaserLight2 remote display stop/go 4-in (100 mm) stainless steel includes PN 187124	25 lb	\$2,975.00
Includes VESA Mount Hardware			
175860	LaserLight2 remote display 4-in (100 mm) includes PN 175213	20 lb	\$2,040.00
175861	LaserLight2 remote display 6-in (150 mm) includes PN 175213	25 lb	\$2,575.00
175862	LaserLight2 remote display stop/go 4-in (100 mm) includes PN 175213	25 lb	\$2,575.00

Options/Accessories

Part #	Description	Price
175052	Wireless interface, pair of ConnexLink Radios and mount	\$835.00
214644	Wireless interface, ConnexLink radio client kit	\$495.00
175213	Mount bracket, VESA flat-wall option (included with VESA mounted remote)	\$95.00
175305	Mount bracket, 4-in flange option (included with flange mounted remote)	\$29.00
175306	Mount bracket, 6-in flange option (included with flange mounted remote)	\$29.00
179910	Mount bracket, 4-in stainless steel flange option (included with flange mounted stainless steel remote)	\$32.00
187124	Mount bracket, 6-in stainless steel flange option (included with flange mounted stainless steel remote)	\$42.00
75856	Pole mount kit, 4-in flange option (24-in wide frame for 4-8 in dia. pole)	\$280.00
77775	Pole mount kit, 6-in and 4-in stop/go flange option (32-in wide frame for 4-8 in dia. pole)	\$280.00
177865	Pole mount kit, VESA flat-wall option mount for 2-6 inch pole	\$90.00
178790	Offset kit (right or left flange mount) used with universal pole mount (requires PN 177865)	\$82.00
181224	Visor for 22 in enclosure (not required for weather protection)	\$190.00
181801	Visor for 31 in enclosure (not required for weather protection)	\$205.00



REMOTE DISPLAYS /
SCOREBOARD

LaserLight3™

Color Messaging Remote Display



Specifications

Power Consumption:

AC voltages: 100 to 240 VAC; 50/60 Hz
120 watt (120 VAC)
95 watt (12 VDC)

Output Interface:

Ethernet TCP/IP, independently configurable echo port

Input Data Format:

Baud Rate: 1200, 2400, 4800, 9600, 19200, 38400, 57600 and 115200 self-learning or configurable

Update:

Continuous or out-of-motion modes
Message interrupt mode

Digital I/O:

Four I/O read or set
5 V logic

Communication Ports:

Ethernet TCP/IP, RS-232, RS-485,
20 mA current loop

Character Format:

7 or 8 data bits; even, odd, or no parity;
1 or 2 stop bits

Maximum Viewing Distance:

4-inch character: 100 ft (30 m)
5-inch character: 150 ft (46 m)

Viewing Angle:

160°

Display:

Bright, outdoor color LED lamps
128 × 32-pixel, 4 mm pitch
Decimal or comma indication
Weight display with units and mode
Message display 1, 2 or 4 lines
Stop/go and directional arrow

Keys/Buttons:

Integrated keypad

Time:

Software enable, 12- or 24-hour format

Date:

Software enable, US or ISO format

Temperature:

Operating: -40 °F to 120 °F (-40 °C to 49 °C)

Rating/Material:

IP66 weathertight
Mild steel, powder-coated

Weight:

Without wall mount: 14.19 lb (7.81 kg)
With wall mount: 20.48 lb (10.66 kg)
With sunshade and wall mount: 29.79 lb (14.88 kg)

Warranty:

Two-year limited

Standard Features

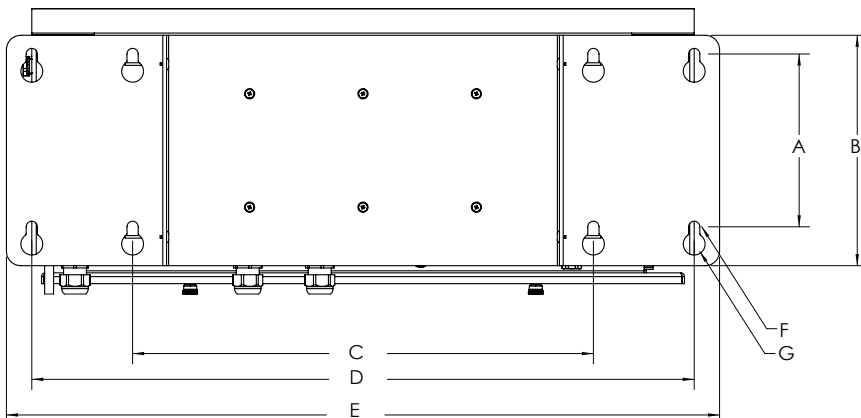
- Vibrant 128- by 32-pixel LED color display with non-glare lens; high-intensity digits up to 5 inches tall
- Color commands change background and foreground text
- Auto Learn identifies and interprets the source weight data string for maximum compatibility with a wide range of indicators
- Versatile layout choices include mirror mode, 1-line, 2-line and quadrant format
- Dynamic messaging views can scroll, slide or flash
- Display stop/go light symbols/arrows with digits up to 4 inches tall
- Selectable time/date when weight is at zero
- Integrated weathertight keypad for sending configurable scale commands to the indicator
- Durable IP66 enclosure with Gore-Tex® breather vent to inhibit internal moisture
- RS-232, RS-422, 20 mA and Ethernet TCP/IP
- Mounting options include VESA, flange and pole configurations

Options

- Wireless LAN, Wi-Fi interface 802.11 a/b/g/n
- Wireless interface, pair of ConnexLink radios and mount
- Pole mount kit for 4 to 8 inch pole
- VESA kit for 2 to 6-inch pole
- Sunshade visor, 8-inch painted steel

Dimensions

LaserLight3			
A	6.00 in (152 mm)	E	25.00 in (6.35 mm)
B	8.00 in (203 mm)	F	0.39 in (10 mm)
C	16.00 in (406 mm)	G	0.76 in (19 mm)
D	23.00 in (584 mm)		



REMOTE DISPLAYS /
SCOREBOARD

Part Number/Price

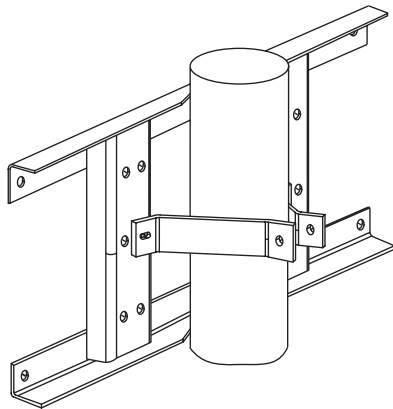
Part #	Description	Est. Weight	Price
Remote Display			
214825	LaserLight3 color 5-in (127 mm) messaging remote display	20 lb	\$2,110.00
Weight Indicator			
205780	LaserLight3 large display weight indicator	20 lb	\$2,495.00

Options/Accessories

Part #	Description	Price
224940	Cantilever side-mount, mild steel, allows display to be turned for viewing, yellow powder coated finish.	Consult
212745	Pole mount kit, VERSA flat-wall for 2 to 6 in diameter pole, 6 fasteners (M4 × 8 mm)	\$100.00
75856	Pole mount kit, 4 in flange style, 24 in wide frame for use with 4 to 8 in diameter pole	\$280.00
208807	Sunshade, 8 in	\$135.00
209118	Wireless LAN, RS-232/Wi-Fi interface 802.11 a/b/g/n XPico module	\$250.00
212753	RF interface, paired ConnexLink radios transceiver kit and mount	\$835.00



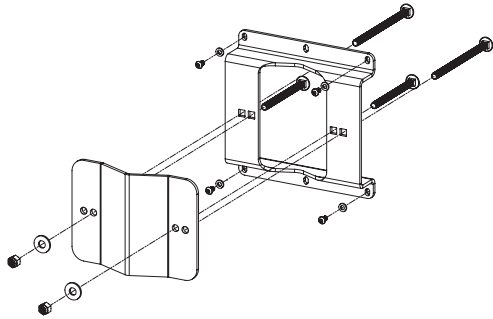
Pictured with optional sunshade visor and legacy mode stop/go



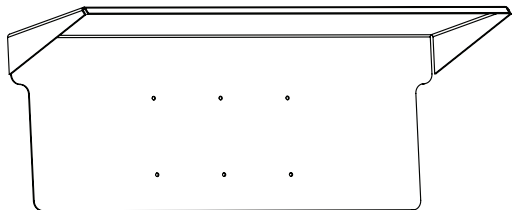
*Flange pole-mount kit
PN 75856*



Cantilever side-mount pictured with optional VESA pole-mount kit



*VESA pole-mount kit
PN 212745*



*Sunshade
PN 208807*

**REMOTE DISPLAYS /
SCOREBOARD**

LaserLT-60 and LaserLT-100

Remote Display or Weight Indicators



LaserLT-60



LaserLT-100

Approvals



Part Number/Price

Part #	Description	Price
Remote Display		
185253	LaserLT-60 remote display, 2.4 in (60 mm) LED	\$1,330.00
185255	LaserLT-100 remote display, 4.0 in (100 mm) LED	\$1,715.00
Weight Indicator		
197453*	LaserLT-60, indicator for weighing 2.4 in (60 mm) LED	\$1,380.00
197454*	LaserLT-100, indicator for weighing 4.0 in (100 mm) LED	\$1,765.00

*See Instrumentation catalog section for LaserLT models that are configurable as a weight indicator (using SCT-1100 firmware).

- Max 10,000 divisions or multi-range
- A/D 24 bit 4-channel conversion
- Connect 4 cells with summing or up to 4 independent weighing systems

Options/Accessories

Part #	Description	Price
185256	Mount bracket, 2 tilting side brackets for LaserLT-100	\$65.00
185258	Visor for LaserLT-100	\$165.00

Standard Features

- LED display
- Auto Learn mode, weight value only
- Manual configuration for format length, weight location, termination character
- Manual Configuration mode for reading weight, variables and bitmap bytes
- Parameters for motion, overload, decimal point, net character, COZ
- Status LEDs for zero, motion, net, unit 1, unit 2
- Integrated five-key waterproof keypad with configurable scale commands
- Adjustment for six levels of brightness through the keypad
- Includes removable back wall mount bracket
- Fitted with anti-condensation air valve to regulate humidity and pressure

Specifications

Power:

AC voltages: 110 to 240 VAC
DC voltages: 12 to 24 VDC

Display:

6-digit, 7-segment discrete red LED lamps, single width
2.4 in (60 mm) or 4 in (100 mm) digit
Decimal/comma indication in any position
Annunciators for NT, Stability, COZ

Maximum Viewing Distance:

LaserLT-60: 2.4 in digit 75 ft (25 m)
LaserLT-100: 4 in digit 100 ft (30 m)

Communication Ports:

RS-232, RS-485

Input Data Format:

Baud rate: 1200 to 115.2 K software selectable
Even parity 7 data bits, or no parity 8 data bits

Update:

Software selectable 1-20/sec

Digital I/O:

Two inputs, 12 to 24 VDC
Two outputs, 48 VAC, 60 VDC max

Rating/Material:

304 stainless steel, IP68

Weight:

10 lb

Temperature:

Operating:
-40 °F to 120 °F (-40 °C to 49 °C)

Warranty:

One-year limited

Approvals:

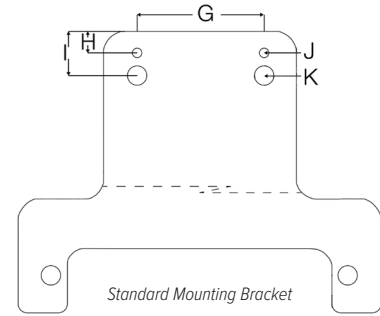
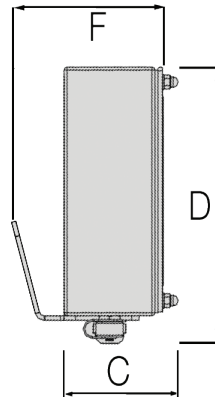
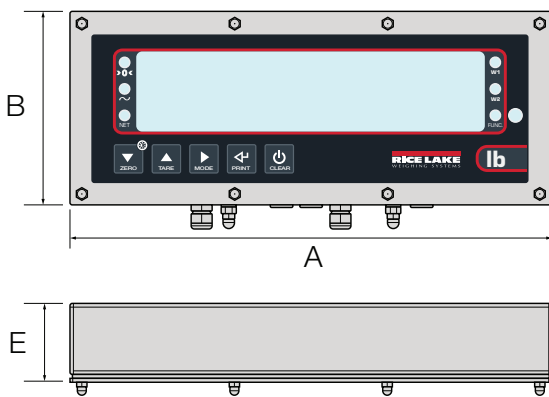
CE Marked

LaserLT-60 and LaserLT-100

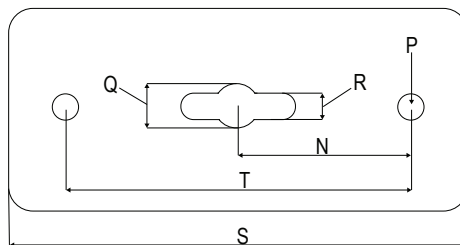
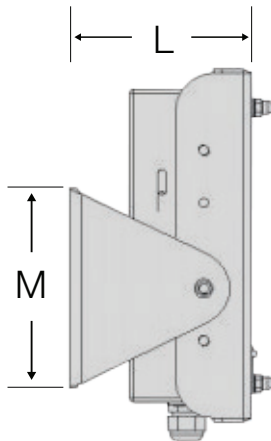
Remote Display or Weight Indicators

Dimensions

LaserLT-60/LaserLT-100			
LaserLT-60			
A	16.14 in (410 mm)	D	7.28 in (185 mm)
B	6.50 in (165 mm)	E	2.64 in (67 mm)
C	3.03 in (77 mm)	F	4.84 in (123 mm)
LaserLT-100			
A	16.93 in (430 mm)	D	7.63 in (194 mm)
B	7.28 in (185 mm)	E	2.52 in (64 mm)
C	2.52 in (64 mm)	F	3.98 in (101 mm)
Mount Bracket Hole Dimensions			
G	2.36 in (60 mm)	J	0.24 in (6 mm)
H	0.39 in (10 mm)	K	0.39 in (10 mm)
I	0.81 in (21 mm)		



Optional Side Bracket for LaserLT-100 Hole Dimensions			
L	3.98 in (101 mm)	Q	0.43 in (11 mm)
M	4.13 in (105 mm)	R	0.28 in (7 mm)
N	1.57 in (40 mm)	S	4.13 in (105 mm)
P	0.28 in (7 mm)	T	3.15 in (80 mm)



LaserLT-100
Optional Side Bracket

REMOTE DISPLAYS /
SCOREBOARD

RD-232

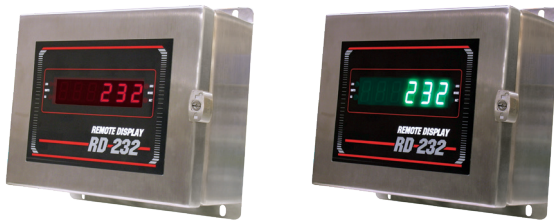
Remote Display



RD-232 NEMA Type 4X FRP Enclosure



RD-232 Compact Stainless Steel Wall Mount Enclosure



RD-232 NEMA Type 4X Stainless Steel Wall Mount Enclosure

Standard Features

- AC or DC operation
- Easy-to-read 0.8 in (20 mm) LED red or green (sunlight visible)
- Three enclosure types or panel mount kit
- Four annunciators
- Full floating decimal point
- Compatible with a variety of digital weighing indicators; DIP switch selectable intuitive data receiver interprets serial strings

Specifications

Display:

6-digit, 7-segment, 0.8 in (20 mm)
LED
Red (standard intensity)
Green (sunlight visible)

Annunciators:

lb, kg, gross, net

Operating Voltage:

115 VAC, 230 VAC available
DC voltage Range: 6.2 to 18 VDC

Input Interface:

RS-232, 20 mA active or passive current loop
ASCII compatible

Baud Rate:

Selectable: 300, 600, 1200, 2400, 4800,
9600, 19200

Temperature:

Operating:
-13 °F to 104 °F (-25 °C to 40 °C)

Rating/Material:

NEMA Type 4X FRP or stainless steel

Weight:

Approximately 5 lb (2.3 kg)
Stainless steel unit, approximately 8 lb (3.6 kg)

Warranty:

One-year limited

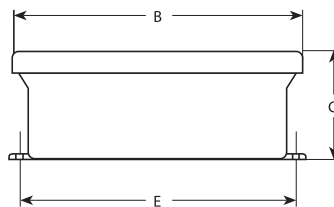
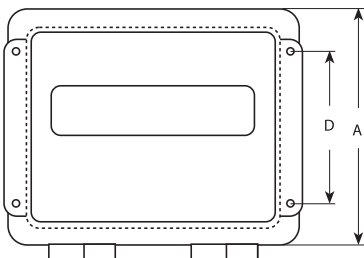
Part Number/Price

Part #	Description	Est. Weight	Price
Red LED			
32716	RD-232, 115 VAC/12 VDC, FRP enclosure, red LED	5 lb	\$1,030.00
68786	RD-232, 115 VAC/12 VDC, compact stainless steel wall mount enclosure, red LED	5 lb	\$1,030.00
32717	RD-232, 115 VAC/12 VDC, NEMA Type 4X stainless steel wall mount enclosure, red LED	8 lb	\$1,280.00
32727	RD-232, 115 VAC/12 VDC, panel mount, red LED	3 lb	\$980.00
34748	RD-232, 230 VAC/12 VDC, no power cord, FRP enclosure, red LED	5 lb	\$1,130.00
Green LED			
178168	RD-232, 117 VAC/12 VDC, FRP enclosure, green LED	5 lb	\$1,030.00
178169	RD-232, 117 VAC/12 VDC, compact stainless steel wall mount enclosure, green LED	5 lb	\$1,030.00
178170	RD-232, 117 VAC/12 VDC, NEMA Type 4X stainless steel wall mount enclosure, green LED	8 lb	\$1,280.00
178171	RD-232, 220 VAC/12 VDC, FRP enclosure, no power cord, green LED	5 lb	\$1,130.00

Specify interfacing indicator when ordering a remote display

Options/Accessories

Part #	Description	Price
33210	Additional operating manual (RD-232/RD-300)	\$25.00



Dimensions

RD-232			
FRP Enclosure			
A	8.00 in (203 mm)	D	4.00 in (101 mm)
B	9.50 in (241 mm)	E	9.00 in (222 mm)
C	6.00 in (152 mm)		
Stainless Steel Enclosure			
A	8.00 in (203 mm)	D	8.63 in (219 mm)
B	10.00 in (254 mm)	E	8.00 in (203 mm)
C	4.31 in (109 mm)		
Compact Stainless Steel Enclosure			
A	6.25 in (158 mm)	D	5.25 in (133 mm)
B	9.25 in (234 mm)	E	8.50 in (215 mm)
C	2.00 in (50 mm)		
Panel Mount			
A	5.88 in (149 mm)	D	5.12 in (130 mm)
B	7.88 in (200 mm)	E	7.12 in (180 mm)
C	2.00 in (50 mm)		



RD-300 NEMA Type 4X FRP Enclosure



RD-300 Compact Stainless Enclosure



RD-300 NEMA Type 4X Stainless Steel Enclosure

Standard Features

- Easy-to-read 1 in (25 mm) LCD
- Three enclosure types or panel mount kit
- Status annunciators
- AC operation
- Backlight for dark conditions
- Compatible with a variety of digital weight indicators; intuitive data receiver automatically interprets serial strings

Specifications

Display:

6-digit, 7-segment, 0.8 in (20 mm) LED

Annunciators:

lb, kg, gross, net

Operating Voltage:

115 VAC, 230 VAC available
DC Voltage Range: 6.2 to 18 VDC

Input Interface:

RS-232, 20 mA active or passive current loop
ASCII compatible

Baud Rate:

Selectable: 300, 600, 1200, 2400, 4800, 9600, 19200

Temperature:

Operating:
-13 °F to 104 °F (-25 °C to 40 °C)

Rating/Material:

NEMA Type 4X FRP or stainless steel

Weight:

Approximately 5 lb (2.3 kg)
Stainless steel unit, approximately 8 lb (3.6 kg)

Warranty:

One-year limited

Part Number/Price

Part #	Description	Est. Weight	Price
68782	RD-300 AC, compact stainless steel enclosure with backlight	5 lb	\$1,055.00
22532	RD-300 AC, FRP enclosure with backlight	5 lb	\$1,055.00
22536	RD-300 AC, NEMA Type 4X stainless steel enclosure with backlight	8 lb	\$1,305.00
22540	RD-300 AC, panel mount with backlight	3 lb	\$980.00
34750	RD-300 AC, 230 VAC, FRP enclosure with backlight	5 lb	\$1,155.00

Options/Accessories

Part #	Description	Price
33210	Additional operating manual (RD-300/RD-232)	\$25.00

Dimensions

RD-300			
FRP Enclosure			
A	8.00 in (203 mm)	D	4.00 in (101 mm)
B	9.50 in (241 mm)	E	8.75 in (222 mm)
C	6.00 in (152 mm)		
Stainless Steel Enclosure			
A	8.00 in (203 mm)	D	8.63 in (219 mm)
B	10.00 in (254 mm)	E	8.00 in (203 mm)
C	4.31 in (109 mm)		
Compact Stainless Steel Enclosure			
A	6.25 in (158 mm)	D	5.25 in (133 mm)
B	9.25 in (234 mm)	E	8.50 in (215 mm)
C	2.00 in (50 mm)		
Panel Mount			
A	5.88 in (149 mm)	D	5.12 in (130 mm)
B	7.88 in (200 mm)	E	7.12 in (180 mm)
C	2.00 in (50 mm)		

