

## Specifications

**Full Scale Output:**  
1.75 mV/V

**Output Resistance:**  
700 (nominal)

**Input Resistance:**  
700 (nominal)

**Material/Finish:**  
Alloy steel

**Temperature:**  
14° F to 104° F (-10° C to 40° C)

**Rated Excitation:**  
15 VDC (5-10 V recommended)

**Non-linearity:**  
±0.25% full scale

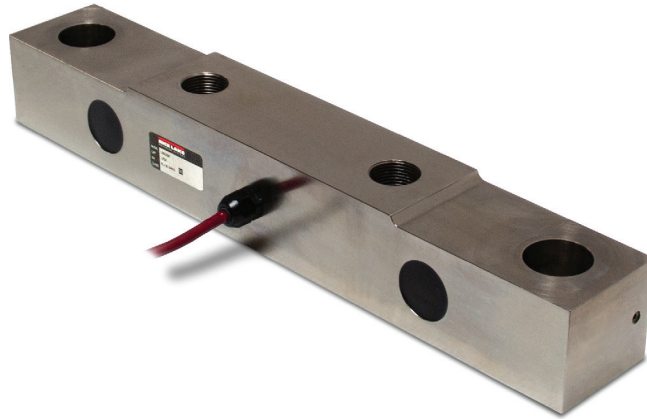
**Insulation Resistance:**  
2,000 megohms at 50 VDC

**Seal Type:**  
Environmentally sealed, IP66

**Cable Length:**  
25 ft

**Wire Color Code:**  
Red - Excitation +  
Green - Signal +  
White - Signal -  
Black - Excitation  
Drain Wire - Shield

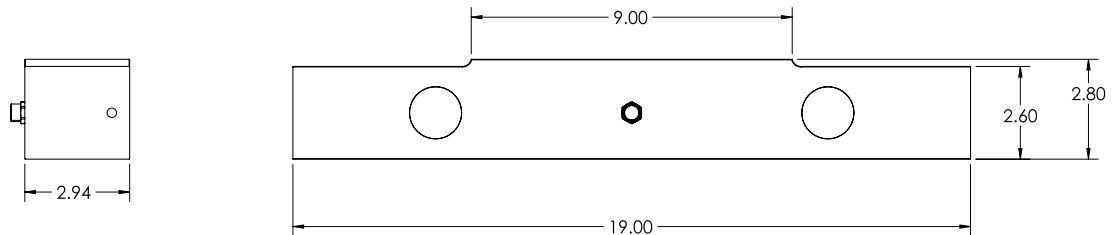
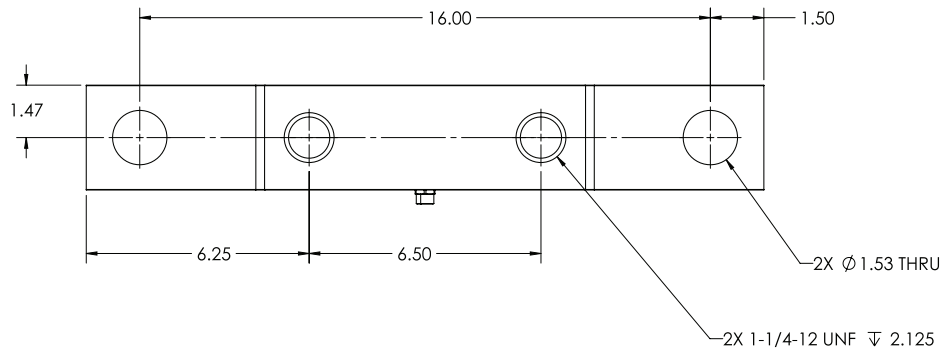
**Warranty:**  
One-year limited warranty



## Order Information

Picture is a representation of actual product

Load Rating	Part #	Est. Weight	Price
Static 125,000 lbs Dynamic 62,000 lbs	<b>189390</b>	40 lbs	Consult



ONBOARD WEIGHING  
LOAD CELLS