

Rice Lake RS-130/RS-160

Battery-Operated Price Computing Scales



RS-130 Pole



RS-160 Bench

Standard Features

- Toggle between lb/kg/oz*
- PLU keys for direct price lookups
- Cash back calculation
- Large stainless steel platter
- In-use cover
- Pole swivels to face desired direction
- Battery charge indicator
- Internal sealed battery
- Customer display

*Not Measurement Canada Approved

Specifications

Power:

Rechargeable battery: DC 6 V/25 mA
AC adapter: AC 115 V/0.1 A max (included)

Battery Life:

100+ hours, 8 to 10 hours to recharge

Resolution:

Display: 3,000 divisions maximum

Annunciators:

Net, zero, kg, lb, oz. change due, cash received

Display:

LCD backlit, 0.45 in (11.5 mm)

Display Items:

Weight: Five-digits
Unit price: Five-digits
Total price: Six-digits

Keys/Buttons:

Change, unit, zero, tare buttons
Nine PLU keys

Temperature Range:

Certified: 14 °F to 104 °F (-10 °C to 40 °C)

Warranty:

One-year limited

Approvals:

NTEP 04-067, Class III 3000d

Approvals



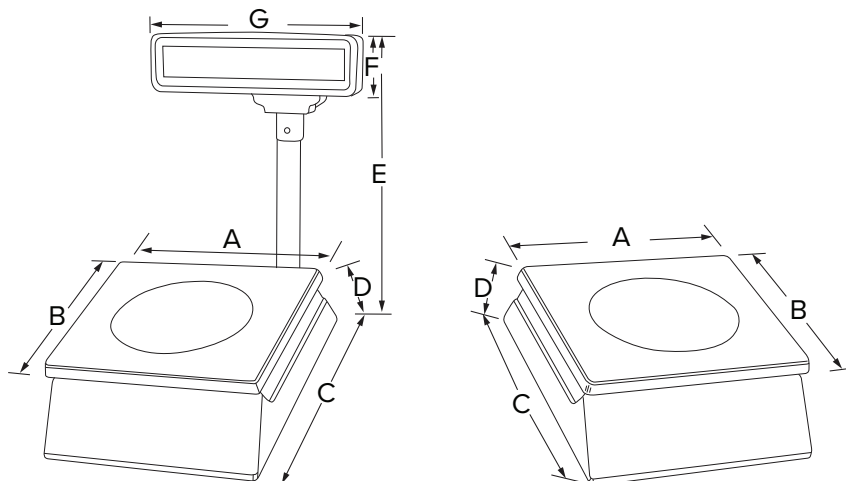
Part Number/Price

| Part # | Model | Capacity | Est. Weight | Price |
|--------|--------------|---|-------------|---------|
| 167941 | RS-130 Bench | 30 × 0.01 lb 15 × 0.005 kg 480 × 0.2 oz | 12 lb | Consult |
| 168100 | RS-130 Pole | 30 × 0.01 lb 15 × 0.005 kg 480 × 0.2 oz | 13 lb | Consult |
| 167942 | RS-160 Bench | 60 × 0.02 lb 30 × 0.01 kg 960 × 0.5 oz | 12 lb | Consult |
| 168101 | RS-160 Pole | 60 × 0.02 lb 30 × 0.01 kg 960 × 0.5 oz | 13 lb | Consult |

NOTE: Buy quantity of 5 and get a 50% discount

Options/Accessories

| Part # | Description | Price |
|--------|--|---------|
| 169634 | Additional operating manual | Consult |
| 169635 | Additional calibration instructions | Consult |
| 85711 | Additional in-use cover | Consult |
| 47976 | Fish platter, (W × D) 9.5 × 13.5 in | Consult |
| 47977 | Produce platter, (W × D) 9.5 × 13.5 in | Consult |
| 85710 | Replacement rechargeable battery, 6 V | Consult |



Dimensions

| Bench | | | |
|-------|--------|---|--------|
| Unit | | | |
| A | 300 mm | C | 330 mm |
| B | 240 mm | D | 120 mm |
| Pole | | | |
| Unit | | | |
| A | 300 mm | E | 410 mm |
| B | 240 mm | F | 78 mm |
| C | 330 mm | G | 280 mm |
| D | 120 mm | | |

RETAIL SCALES