



Picture is a representation of actual product.

Approvals

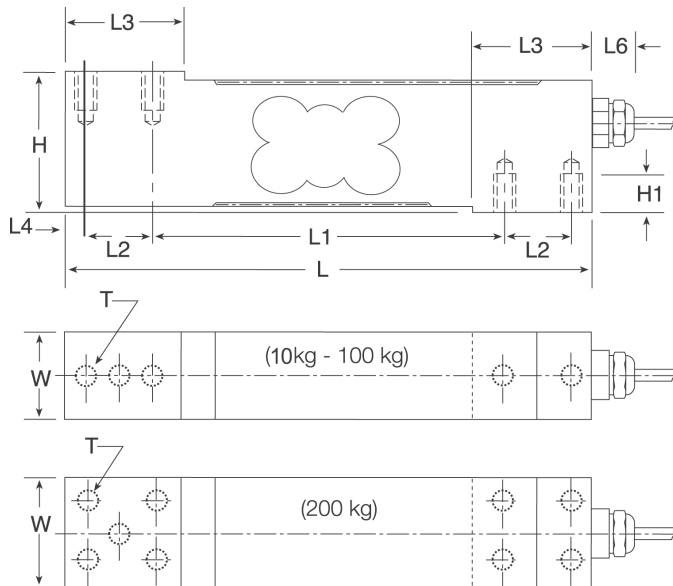


Order Information

Load Rating	Part #	Est. Weight	Price
NTEP Certified			
10 kg	41821	3lb	Consult
15 kg	36219	3lb	Consult
30 kg	36220	3lb	Consult
50 kg	36221	3lb	Consult
75 kg	36222	3lb	Consult
Non-NTEP Certified			
100 kg	36223	3lb	Consult
200 kg	36224	4lb	Consult

Dimensions

Rated Capacity	H	H1	L	L1	L2	L3	L4	L6	W	T
kg/mm										
10 to 100	40.0	10.0	150.0	100.0	19.0	32.0	6.0	20.0	25.4	1/4-20 UNC x 19.1DP
200	40.0	10.0	150.0	100.0	19.0	32.0	6.0	20.0	38.1	1/4-20 UNC x 19.1DP



Interchangeable Products

RICE LAKE WEIGHING SYSTEMS
 RL1385..... page 167

Specifications

Full Scale Output:
2.0 mV/V

Output Resistance:
330 (± 25) ohm

Input Resistance:
390 (± 20) ohm

Material/Finish:
Stainless steel

Temperature:
Compensated:
14 °F to 104 °F (-10 °C to 40 °C)
Operating:
0 °F to 150 °F (-18 °C to 65 °C)

Seal Type:
Environmentally sealed, IP67

Safe Overload:
200% full scale

Safe Sideload:
100% full scale

Rated Excitation:
5 to 15 VDC

Combined Error:
0.02% full scale

Insulation Resistance:
5,000 megohm

Cable Length:
10 ft

Cable Diameter:
0.196 in
Polyurethane jacket

Cable Color Code:
Green +Excitation
Black -Excitation
White +Signal
Red -Signal
Yellow Shield

Max Platform Size:
18 x 18 in

Warranty:
One-year limited

Approvals:
FM
NTEP
OIML

