



WHEELCHAIR SCALES

NONSLIP METAL
PLATFORM

350-10-3M

DUAL-RAMP WHEELCHAIR SCALE

Rice Lake's 350-10-3M is a dual ramp, metal wheelchair scale in the 350-10 Series family. This durable scale offers accurate, high-capacity weighing for a wide range of patients. The 350-10-3M has a large, stable scale base with a nonslip surface to ensure safety during patient weighing. Easy to set up, this foldable scale can be quickly moved on two heavy-duty rear wheels for efficient patient weighing in different locations.

FEATURES

- Large LCD display
- Antimicrobial keypad
- Two wheels for portability
- Dual ramp
- Nonslip platform
- Motiontrap™ movement compensation technology
- Unit of measure toggle or locking
- EMR capable
- Serial and USB data communication ports
- Bluetooth® BLE 4.0 available, part number selectable
- Tare function
- Hold function
- BMI (body mass index) function
- Factory calibrated
- Easy to store, folded depth is 11.75 in (29.8 cm)

SPECIFICATIONS

Capacity:
1,000 × 0.2 lb (450 × 0.1 kg)

Platform Dimensions:
(L × W × H)
29.50 × 31.50 × 3.15 in

Power:
9 VDC, provided by six AA alkaline batteries (included) or AC adapter (optional)

Battery Type:
Six AA alkaline (included)

Battery Use:
25 hours of continuous use with batteries
Automatic power-off can be configured

Display:
5-digit LCD display, 0.75 in (1.9 cm) digit height

Temperature:
Operating:
50 °F to 104 °F (10 °C to 40 °C)

Warranty:
Two-year limited





WHEELCHAIR SCALE

MODEL	CAPACITY	COMMUNICATION	PART #
350-10-3M	1,000 × 0.2lb (450 × 0.1 kg)	USB	193956
350-10-3MBLE	1,000 × 0.2lb (450 × 0.1 kg)	Bluetooth® BLE 4.0	203910

OPTIONS

DESCRIPTION	PART #
9 VDC adapter, 120 V/230 V auto switching c-MET* <i>Medical grade power supply</i>	115655
9 VDC adapter, 120 V/230 V auto switching*	133077
9 VDC adapter, 230 V**	102508
Epson TM-U220 tape printer	81076
Cable, RS232 scale to printer, 6 ft, 25-pin D-Sub (male) to RJ45	186830
Cable, USB 6 ft USB-A (male) to USB-B (male)	79074
Cable, Communication DB9 (female) to RJ45 (male), 4 conductor	217091

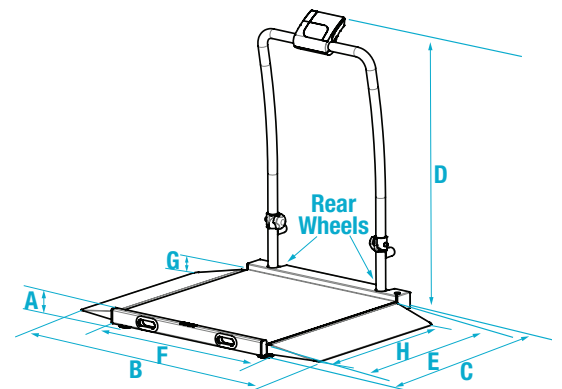
*NEMA 1-15 Plug  **CEE 7/16 Plug 

SHIPPING WEIGHT

MODEL #	PART #	L (IN)	W (IN)	H (IN)	PACKAGE WGT. (LB)	DIM WGT. (LB)	SHIPPING WGT. (LB)
350-10-3M	193956	51	42	14	102	216	216
350-10-3MBLE	203910	51	42	14	102	216	216

DIMENSIONS

	INCHES	CENTIMETERS		INCHES	CENTIMETERS
A	3.15	8.0	E	31.50	80.0
B	47.70	121.2	F	29.50	74.9
C	37.80	96.0	G	2.40	6.1
D	45.30	115.1	H	27.20	69.1



WITH HANDRAIL

350-10-2 SINGLE-RAMP WHEELCHAIR SCALE

Rice Lake's 350-10-2 single-ramp wheelchair scale with handrail allows high capacity, accurate weighing for a wide range of patients. Convenient keypad tare reduces errors and increases efficiency. Foldable and lightweight, this sturdy scale is easily transported on two heavy-duty rear wheels to any location.

FEATURES

- Large LCD display
- Antimicrobial keypad
- Two wheels for portability
- Single ramp
- Nonslip platform
- Motiontrap™ movement compensation technology
- Unit of measure toggle or locking
- EMR capable
- Serial and USB data communication ports
- Bluetooth® BLE 4.0 available, part number selectable
- Tare function
- Hold function
- BMI (body mass index) function
- Factory calibrated
- Easy to store, folded depth is 11.75 in (29.8 cm)

SPECIFICATIONS

Capacity:

1,000 × 0.2 lb (450 × 0.1 kg)

Platform Dimensions Without Ramp:

(L × W × H)

29.50 × 32.00 × 2.40 in

Power:

9 VDC, provided by six AA alkaline batteries (included) or AC adapter (optional)

Battery Type:

Six AA alkaline (included)

Battery Use:

25 hours of continuous use with batteries
Automatic power-off can be configured

Display:

5-digit LCD display, 0.75 in (1.9 cm) digit height

Temperature:

Operating:
50 °F to 104 °F (10 °C to 40 °C)

Warranty:

Two-year limited





WHEELCHAIR SCALE

MODEL	CAPACITY	COMMUNICATION	PART #
350-10-2	1,000 × 0.2lb (450 × 0.1 kg)	USB	141445
350-10-2BLE	1,000 × 0.2lb (450 × 0.1 kg)	Bluetooth® BLE 4.0	194739

OPTIONS

DESCRIPTION	PART #
9 VDC adapter, 120 V/230 V auto switching c-MET* Medical grade power supply	115655
9 VDC adapter, 120 V/230 V auto switching*	133077
9 VDC adapter, 230 V**	102508
Epson TM-U220 tape printer	81076
Cable, RS232 scale to printer, 6 ft, 25-pin D-Sub (male) to RJ45	186830
Cable, USB 6 ft USB-A (male) to USB-B (male)	79074
Cable, Communication DB9 (female) to RJ45 (male), 4 conductor	217091

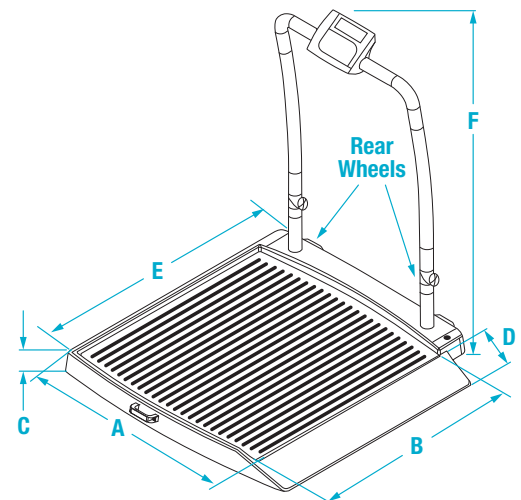
*NEMA 1-15 Plug  **CEE 7/16 Plug 

SHIPPING WEIGHT

MODEL #	PART #	L (IN)	W (IN)	H (IN)	PACKAGE WGT. (LB)	DIM WGT. (LB)	SHIPPING WGT. (LB)
350-10-2	141445	42	41	14	90	174	174
350-10-2BLE	194739	42	41	14	90	174	174

DIMENSIONS

	INCHES	CENTIMETERS		INCHES	CENTIMETERS
A	29.50	74.9	D	9.30	23.6
B	32.00	81.3	E	37.50	95.3
C	2.40	6.1	F	45.00	114.3



350-10-3

DUAL-RAMP WHEELCHAIR SCALE

Rice Lake's 350-10-3 dual-ramp wheelchair scale with handrail allows high-capacity, accurate weighing for a wide range of patients. Convenient keypad tare reduces errors and increases efficiency. Foldable and lightweight, this sturdy scale is easily transported on two heavy-duty rear wheels to any location.

FEATURES

- Large LCD display
- Antimicrobial keypad
- Two wheels for portability
- Dual ramp
- Nonslip platform
- Motiontrap™ movement compensation technology
- Unit of measure toggle or locking
- EMR capable
- Serial and USB data communication ports
- Bluetooth® BLE 4.0 available, part number selectable
- Tare function
- Hold function
- BMI (body mass index) function
- Factory calibrated
- Easy to store, folded depth is 11.75 in (29.8 cm)

SPECIFICATIONS

Capacity:

1,000 × 0.2 lb (450 × 0.1 kg)

Platform Dimensions Without Ramps:

(L × W × H)

29.50 × 32.00 × 2.40 in

Power:

9 VDC, provided by six AA alkaline batteries (included) or AC adapter (optional)

Battery Type:

Six AA alkaline (included)

Battery Use:

25 hours of continuous use with batteries
Automatic power-off can be configured

Display:

5-digit LCD display, 0.75 in (1.9 cm) digit height

Temperature:

Operating:
50 °F to 104 °F (10 °C to 40 °C)

Warranty:

Two-year limited





WHEELCHAIR SCALE

MODEL	CAPACITY	COMMUNICATION	PART #
350-10-3	1,000 × 0.2lb (450 × 0.1 kg)	USB	141447
350-10-3BLE	1,000 × 0.2lb (450 × 0.1 kg)	Bluetooth® BLE 4.0	194736

OPTIONS

DESCRIPTION	PART #
9 VDC adapter, 120 V/230 V auto switching c-MET* <i>Medical grade power supply</i>	115655
9 VDC adapter, 120 V/230 V auto switching*	133077
9 VDC adapter, 230 V**	102508
Epson TM-U220 tape printer	81076
Cable, RS232 scale to printer, 6 ft, 25-pin D-Sub (male) to RJ45	186830
Cable, USB 6 ft USB-A (male) to USB-B (male)	79074
Cable, Communication DB9 (female) to RJ45 (male), 4 conductor	217091

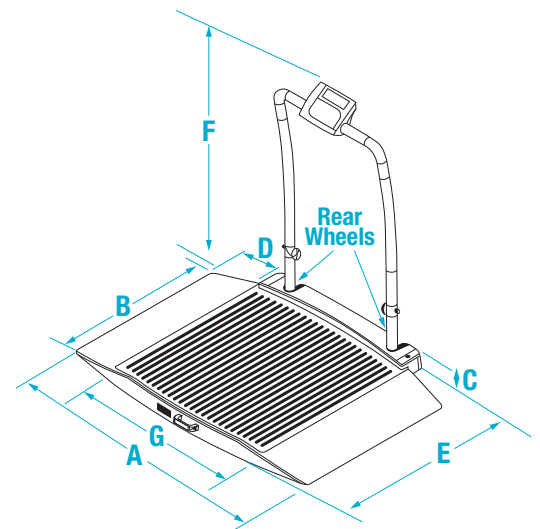
*NEMA 1-15 Plug  **CEE 7/16 Plug 

SHIPPING WEIGHT

MODEL #	PART #	L (IN)	W (IN)	H (IN)	PACKAGE WGT. (LB)	DIM WGT. (LB)	SHIPPING WGT. (LB)
350-10-3	141447	51	42	14	102	216	216
350-10-3BLE	194736	51	42	14	102	216	216

DIMENSIONS

	INCHES	CENTIMETERS		INCHES	CENTIMETERS
A	48.50	123.2	E	38.00	96.5
B	32.00	81.3	F	45.00	114.3
C	2.40	6.1	G	29.50	74.9
D	9.30	23.6			



PG 41

- 
- 
- 
- 
- 

WITH SEAT AND
HANDRAIL

350-10-4

DUAL-RAMP WHEELCHAIR SCALE WITH SEAT

Rice Lake's 350-10-4 dual-ramp wheelchair scale with seat and handrail allows high capacity, accurate weighing for patients requiring a seat. The padded seat easily tucks away, allowing this model to function as either a wheelchair or chair scale. Convenient keypad tare reduces errors and increases efficiency. Foldable and lightweight, this sturdy scale is easily transported on two heavy-duty rear wheels to any location.

PG
42

FEATURES

- Large LCD display
- Antimicrobial keypad
- Two wheels for portability
- Dual ramp
- Nonslip platform
- Fold-away padded seat with backrest
- Motiontrap™ movement compensation technology
- Unit of measure toggle or locking
- EMR capable
- Serial and USB data communication ports
- Bluetooth® BLE 4.0 available, part number selectable
- Tare function
- Hold function
- BMI (body mass index) function
- Factory calibrated
- Easy to store, folded depth is 11.75 in (29.8 cm)

SPECIFICATIONS

Capacity:

1,000 × 0.2 lb (450 × 0.1 kg)

Platform Dimensions Without Ramps:

(L × W × H)
29.50 × 32.00 × 2.40 in

Power:

9 VDC, provided by six AA alkaline batteries (included) or AC adapter (optional)

Battery Type:

Six AA alkaline (included)

Battery Use:

25 hours of continuous use with batteries
Automatic power-off can be configured

Display:

5-digit LCD display, 0.75 in (1.9 cm) digit height

Temperature:

Operating:
50 °F to 104 °F (14 °C to 40 °C)

Warranty:

Two-year limited



Fold-away
padded seat



WHEELCHAIR SCALE

MODEL	CAPACITY	COMMUNICATION	PART #
350-10-4	1,000 × 0.2lb (450 × 0.1 kg)	USB	141448
350-10-4BLE	1,000 × 0.2lb (450 × 0.1 kg)	Bluetooth® BLE 4.0	194737

OPTIONS

DESCRIPTION	PART #
9 VDC adapter, 120 V/230 V auto switching c-MET* <i>Medical grade power supply</i>	115655
9 VDC adapter, 120 V/230 V auto switching*	133077
9 VDC adapter, 230 V**	102508
Epson TM-U220 tape printer	81076
Cable, RS232 scale to printer, 6 ft, 25-pin D-Sub (male) to RJ45	186830
Cable, USB 6 ft USB-A (male) to USB-B (male)	79074
Cable, Communication DB9 (female) to RJ45 (male), 4 conductor	217091

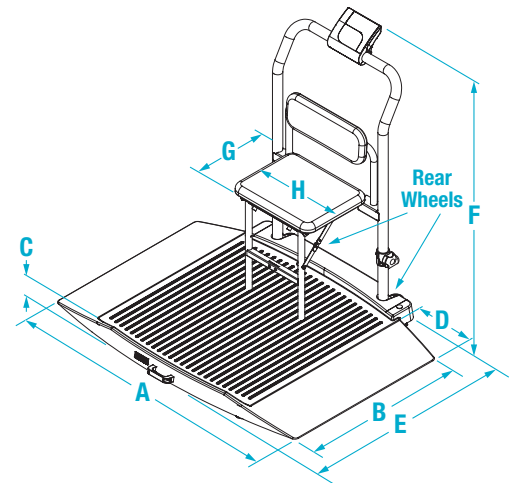
*NEMA 1-15 Plug  **CEE 7/16 Plug 

SHIPPING WEIGHT

MODEL #	PART #	L (IN)	W (IN)	H (IN)	PACKAGE WGT. (LB)	DIM WGT. (LB)	SHIPPING WGT. (LB)
350-10-4	141448	51	43	21	132	332	332
350-10-4BLE	194737	51	43	21	132	332	332

DIMENSIONS

	INCHES	CENTIMETERS		INCHES	CENTIMETERS
A	48.50	123.2	E	38.00	96.5
B	32.00	81.3	F	45.00	114.3
C	2.40	6.1	G	11.42	29.0
D	9.30	23.6	H	15.75	40.0



An ISO 9001 Registered Company ©2025 Rice Lake Weighing Systems 01/25
Specifications subject to change without notice. Visit ricelake.com



350-10-7

SINGLE-RAMP WHEELCHAIR PLATFORM SCALE

Rice Lake's 350-10-7 single-ramp wheelchair platform scale allows high capacity, accurate weighing for a wide range of patients. Convenient keypad tare reduces errors and increases efficiency. This sturdy scale is easily transported on two heavy-duty rear wheels to any location.

FEATURES

- Large LCD display
- Antimicrobial keypad
- Two wheels for portability
- Single ramp
- Nonslip platform
- Motiontrap™ movement compensation technology
- Unit of measure toggle or locking
- EMR capable
- Serial and USB data communication ports
- Bluetooth® BLE 4.0 available, part number selectable
- Tare function
- Hold function
- BMI (body mass index) function
- Factory calibrated

SPECIFICATIONS

Capacity:

1,000 × 0.2 lb (450 × 0.1 kg)

Platform Dimensions Without Ramp:

(L × W × H)
29.50 × 32.00 × 2.40 in

Power:

9 VDC, provided by six AA alkaline batteries (included) or AC adapter (optional)

Battery Type:

Six AA alkaline (included)

Battery Use:

25 hours of continuous use with batteries
Automatic power-off can be configured

Cable Length:

7 ft (2.1 m) cable between scale base and indicator

Display:

5-digit LCD display, 0.75 in (1.9 cm) digit height

Temperature:

Operating:
50 °F to 104 °F (10 °C to 40 °C)

Warranty:

Two-year limited





WHEELCHAIR SCALE

MODEL	CAPACITY	COMMUNICATION	PART #
350-10-7	1,000 × 0.2lb (450 × 0.1kg)	USB	141446
350-10-7BLE	1,000 × 0.2lb (450 × 0.1kg)	Bluetooth® BLE 4.0	194738

OPTIONS

DESCRIPTION	PART #
9 VDC adapter, 120 V/230 V auto switching c-MET* Medical grade power supply	115655
9 VDC adapter, 120 V/230 V auto switching*	133077
9 VDC adapter, 230 V**	102508
Epson TM-U220 tape printer	81076
Cable, RS232 scale to printer, 6 ft, 25-pin D-Sub (male) to RJ45	186830
Cable, USB 6 ft USB-A (male) to USB-B (male)	79074
Cable, Communication DB9 (female) to RJ45 (male), 4 conductor	217091

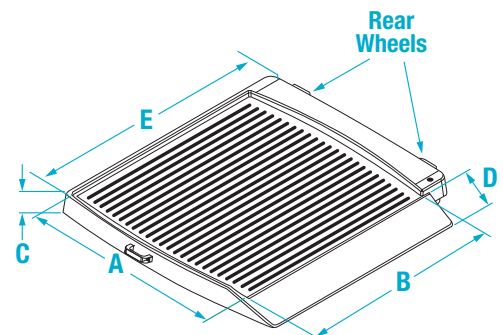
*NEMA 1-15 Plug  **CEE 7/16 Plug 

SHIPPING WEIGHT

MODEL #	PART #	L (IN)	W (IN)	H (IN)	PACKAGE WGT. (LB)	DIM WGT. (LB)	SHIPPING WGT. (LB)
350-10-7	141446	45	44	7	78	100	100
350-10-7BLE	194738	45	44	7	78	100	100

DIMENSIONS

	INCHES	CENTIMETERS		INCHES	CENTIMETERS
A	29.50	74.9	D	9.30	23.6
B	32.00	81.3	E	37.50	95.3
C	2.40	6.1			



350-10-8

DUAL-RAMP WHEELCHAIR PLATFORM SCALE

Rice Lake's 350-10-8 dual-ramp wheelchair platform scale allows high capacity, accurate weighing for a wide range of patients. Convenient keypad tare reduces errors and increases efficiency. This sturdy scale is easily transported on two heavy-duty rear wheels to any location.

FEATURES

- Large LCD display
- Antimicrobial keypad
- Two wheels for portability
- Dual ramp
- Nonslip platform
- Motiontrap™ movement compensation technology
- Unit of measure toggle or locking
- EMR capable
- Serial and USB data communication ports
- Bluetooth® BLE 4.0 available, part number selectable
- Tare function
- Hold function
- BMI (body mass index) function
- Factory calibrated

SPECIFICATIONS

Capacity:

1,000 × 0.2 lb (450 × 0.1 kg)

Platform Dimensions Without Ramps:

(L × W × H)
29.50 × 32.00 × 2.40 in

Power:

9 VDC, provided by six AA alkaline batteries (included) or AC adapter (optional)

Battery Type:

Six AA alkaline (included)

Battery Use:

25 hours of continuous use with batteries
Automatic power-off can be configured

Cable Length:

7 ft (2.1 m) cable between scale base and indicator

Display:

5-digit LCD display, 0.75 in (1.9 cm) digit height

Temperature:

Operating:
50 °F to 104 °F (10 °C to 40 °C)

Warranty:

Two-year limited





WHEELCHAIR SCALE

MODEL	CAPACITY	COMMUNICATION	PART #
350-10-8	1,000 × 0.2lb (450 × 0.1 kg)	USB	141449
350-10-8BLE	1,000 × 0.2lb (450 × 0.1 kg)	Bluetooth® BLE 4.0	194735

OPTIONS

DESCRIPTION	PART #
9 VDC adapter, 120 V/230 V auto switching c-MET* Medical grade power supply	115655
9 VDC adapter, 120 V/230 V auto switching*	133077
9 VDC adapter, 230 V**	102508
Epson TM-U220 tape printer	81076
Cable, RS232 scale to printer, 6 ft, 25-pin D-Sub (male) to RJ45	186830
Cable, USB 6 ft USB-A (male) to USB-B (male)	79074
Cable, Communication DB9 (female) to RJ45 (male), 4 conductor	217091

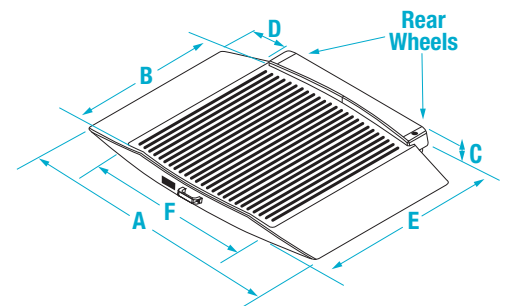
*NEMA 1-15 Plug  **CEE 7/16 Plug 

SHIPPING WEIGHT

MODEL #	PART #	L (IN)	W (IN)	H (IN)	PACKAGE WGT. (LB)	DIM WGT. (LB)	SHIPPING WGT. (LB)
350-10-8	141449	53	45	7	86	121	121
350-10-8BLE	194735	53	45	7	86	121	121

DIMENSIONS

	INCHES	CENTIMETERS		INCHES	CENTIMETERS
A	48.50	123.2	D	9.30	23.6
B	32.00	81.3	E	38.00	96.5
C	2.40	6.1	F	29.50	74.9



34 INCHES WIDE

RL-350-5

SINGLE-RAMP PORTABLE BARIATRIC WHEELCHAIR SCALE

Rice Lake's RL-350-5 single-ramp portable bariatric wheelchair scale allows high-capacity, accurate weighing for patients who are unable to be transported to a scale. Featuring a 34-inch scale base with single ramp, wheelchairs can easily be wheeled on and off the scale. Convenient keypad tare reduces errors and increases efficiency. For added safety, this scale features an anti-slip rubber surface and raised edges on the weighing platform.

PG
48

FEATURES

- Large LCD display
- Antimicrobial keypad
- Integrated handles and wheels for easy transport
- Large, stable scale base
- Metal nonslip platform
- Motiontrap™ movement compensation technology
- Unit of measure toggle or locking
- EMR capable
- Serial and USB data communication ports
- Bluetooth® BLE 4.0 available, part number selectable
- Tare function
- Hold function
- BMI (body mass index) function

SPECIFICATIONS

**Capacity:**

1,000 × 0.2 lb (450 × 0.1 kg)

Platform Dimensions Without Ramp:

(L × W × H)
34.0 × 34.0 × 2.2 in

Power:

9 VDC, provided by six AA alkaline batteries (included) or AC adapter (optional)

Battery Type:

Six AA alkaline (included)

Battery Use:

25 hours of continuous use with batteries
Automatic power-off can be configured

Cable Length:

9 ft (2.7 m) cable between scale base and indicator

Display:

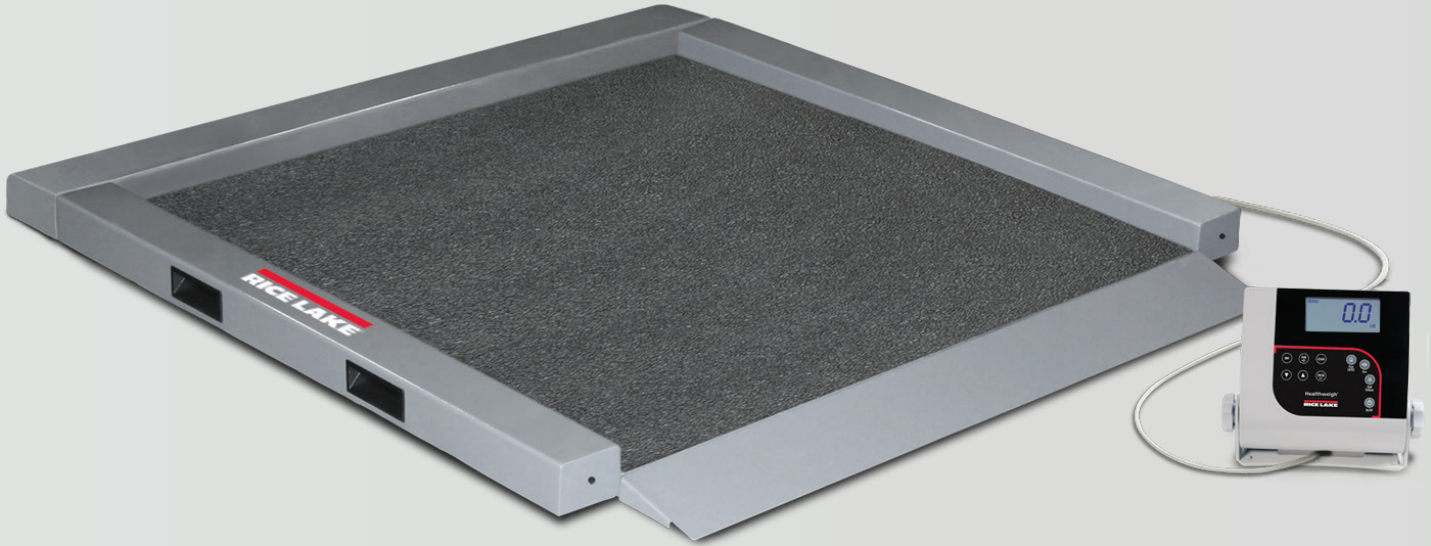
5-digit LCD display, 0.75 in (1.9 cm) digit height

Temperature:

Operating:
50 °F to 104 °F (10 °C to 40 °C)

Warranty:

Two-year limited



WHEELCHAIR SCALE

MODEL	CAPACITY	COMMUNICATION	PART #
RL-350-5	1,000 × 0.2lb (450 × 0.1 kg)	USB	150703
RL-350-5BLE	1,000 × 0.2lb (450 × 0.1 kg)	Bluetooth® BLE 4.0	205976

OPTIONS

DESCRIPTION	PART #
9 VDC adapter, 120 V/230 V auto switching*	133077
9 VDC adapter, 230 V**	102508
Epson TM-U220 tape printer	81076
Cable, RS232 scale to printer, 6 ft, 25-pin D-Sub (male) to RJ45	186830
Cable, USB 6 ft USB-A (male) to USB-B (male)	79074
Cable, Communication DB9 (female) to RJ45 (male), 4 conductor	217091

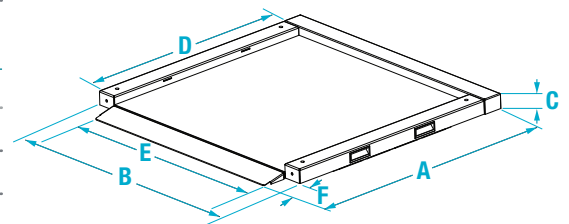
*NEMA 1-15 Plug  **CEE 7/16 Plug 

SHIPPING WEIGHT

MODEL #	PART #	L (IN)	W (IN)	H (IN)	PACKAGE WGT. (LB)	DIM WGT. (LB)	SHIPPING WGT. (LB)
RL-350-5	150703	43	43	11	154	147	154
RL350-5BLE	205976	43	43	11	154	147	154

DIMENSIONS

	INCHES	CENTIMETERS		INCHES	CENTIMETERS
A	41.00	104.1	D	34.00	86.4
B	40.00	101.6	E	34.00	86.4
C	2.20	5.6	F	3.70	9.4



34 INCHES WIDE

RL-350-6

DUAL-RAMP PORTABLE BARIATRIC WHEELCHAIR SCALE

Rice Lake's RL-350-6 dual-ramp portable bariatric wheelchair scale allows high-capacity, accurate weighing for patients who are unable to be transported to a scale. Featuring a 34-inch scale base with dual ramp, wheelchairs can easily be wheeled on and off the scale. Convenient keypad tare reduces errors and increases efficiency. For added safety, this scale features an anti-slip rubber surface and raised edges on the weighing platform.

FEATURES

- Large LCD display
- Antimicrobial keypad
- Integrated handles and wheels for easy transport
- Dual ramp
- Large, stable scale base
- Metal nonslip platform
- Unit of measure toggle or locking
- Motiontrap™ movement compensation technology
- EMR capable
- Serial and USB data communication ports
- Bluetooth® BLE 4.0 available, part number selectable
- Tare function
- Hold function
- BMI (body mass index) function

SPECIFICATIONS

Capacity:

1,000 × 0.2 lb (450 × 0.1 kg)

Platform Dimensions Without Ramps:

(L × W × H)
34.00 × 34.00 × 2.20 in

Power:

9 VDC, provided by six AA alkaline batteries (included) or AC adapter (optional)

Battery Type:

Six AA alkaline (included)

Battery Use:

25 hours of continuous use with batteries
Automatic power-off can be configured

Cable Length:

9 ft (2.7 m) cable between scale base and indicator

Display:

5-digit LCD display, 0.75 in (1.9 cm) digit height

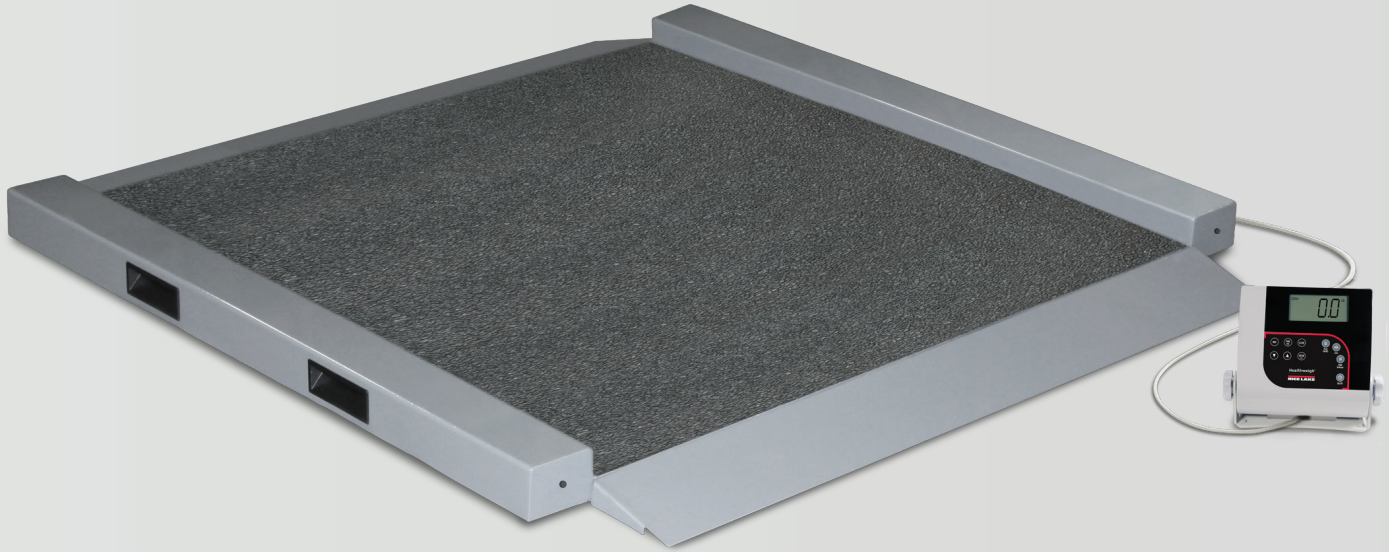
Temperature:

Operating:
50 °F to 104 °F (10 °C to 40 °C)

Warranty:

Two-year limited





WHEELCHAIR SCALE

MODEL	CAPACITY	COMMUNICATION	PART #
RL-350-6	1,000 × 0.2lb (450 × 0.1 kg)	USB	150704
RL-350-6BLE	1,000 × 0.2lb (450 × 0.1 kg)	Bluetooth® BLE 4.0	205974

OPTIONS

DESCRIPTION	PART #
9 VDC adapter, 120 V/230 V auto switching*	133077
9 VDC adapter, 230 V**	102508
Epson TM-U220 tape printer	81076
Cable, RS232 scale to printer, 6 ft, 25-pin D-Sub (male) to RJ45	186830
Cable, USB 6 ft USB-A (male) to USB-B (male)	79074
Cable, Communication DB9 (female) to RJ45 (male), 4 conductor	217091

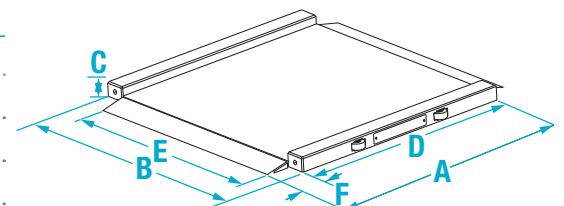
*NEMA 1-15 Plug  **CEE 7/16 Plug 

SHIPPING WEIGHT

MODEL #	PART #	L (IN)	W (IN)	H (IN)	PACKAGE WGT. (LB)	DIM WGT. (LB)	SHIPPING WGT. (LB)
RL-350-6	150704	43	43	11	162	147	162
RL-350-6BLE	205974	43	43	11	162	147	162

DIMENSIONS

	INCHES	CENTIMETERS		INCHES	CENTIMETERS
A	41.00	104.1	D	34.00	86.4
B	40.00	101.6	E	34.00	86.4
C	2.20	5.6	F	3.70	9.4



36 INCHES WIDE

SB-1150

BARIATRIC WHEELCHAIR SCALE

The Summit™ SB-1150 bariatric wheelchair scale provides exceptional performance in environments where typical wheelchair scales are not large enough to meet patient needs. With its large platform and easy-access ramp, the heavy-duty Summit SB-1150 accommodates wheelchairs without sacrificing safety. The scale and ramp are equipped with a nonskid rubber surface and raised guide rails. Convenient keypad tare reduces errors and increases efficiency.

FEATURES

- Large LCD display
- Antimicrobial keypad
- Heavy-duty mild steel construction
- Single ramp
- Metal nonslip platform
- Motiontrap™ movement compensation technology
- Unit of measure toggle or locking
- EMR capable
- Serial and USB data communication ports
- Bluetooth® BLE 4.0 available, part number selectable
- Tare function
- Hold function
- BMI (body mass index) function
- Factory calibrated

SPECIFICATIONS

Capacity:

1,000 × 0.2 lb (450 × 0.1 kg)

Platform Dimensions:

(L × W × H)

36.0 × 36.0 × 4.0 in

Ramp Dimensions:

(L × W × H)

36.0 × 28.5 × 4.0 in

Power:

9 VDC, provided by six AA alkaline batteries (included) or AC adapter (optional)

Battery Type:

Six AA alkaline (included)

Battery Use:

25 hours continuous use with batteries
Automatic power-off can be configured

Cable Length:

10 ft (3.1 m) cable between scale base and indicator

Display:

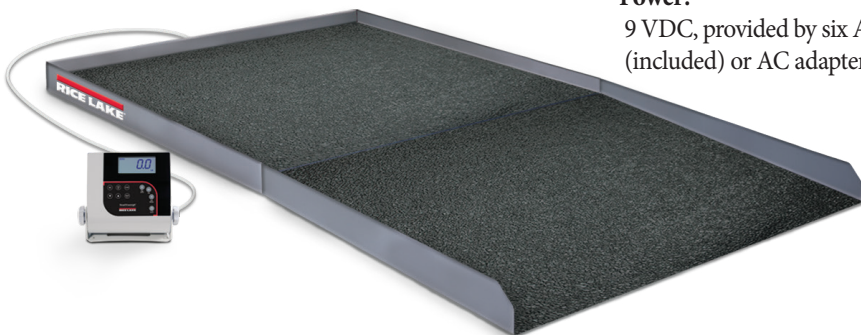
5-digit LCD display, 0.75 in (1.9 cm) digit height

Temperature:

Operating:
50 °F to 104 °F (10 °C to 40 °C)

Warranty:

Two-year limited





WHEELCHAIR SCALE

MODEL	CAPACITY	COMMUNICATION	PART #
SB-1150	1,000 × 0.2lb (450 × 0.1 kg)	USB	150706
SB-1150BLE	1,000 × 0.2lb (450 × 0.1 kg)	Bluetooth® BLE 4.0	205977

OPTIONS

DESCRIPTION	PART #
9 VDC adapter, 120 V/230 V auto switching*	133077
9 VDC adapter, 230 V**	102508
Epson TM-U220 tape printer	81076
Cable, RS232 scale to printer, 6 ft, 25-pin D-Sub (male) to RJ45	186830

*NEMA 1-15 Plug  **CEE 7/16 Plug 

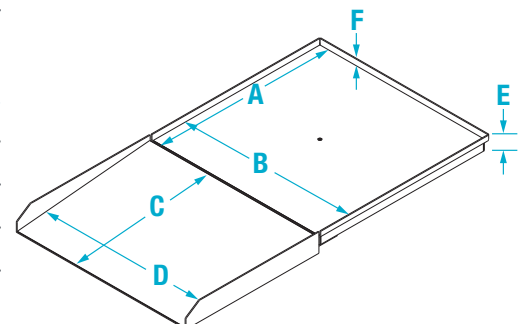
SHIPPING WEIGHT

MODEL #	PART #	L (IN)	W (IN)	H (IN)	PACKAGE WGT. (LB)	DIM WGT. (LB)	SHIPPING WGT. (LB)
SB-1150	150706	49	48	24	363	407	407
SB-1150BLE	205977	49	48	24	363	407	407

*Pallet weight and dimensions are included in shipping weights

DIMENSIONS

	INCHES	CENTIMETERS		INCHES	CENTIMETERS
A	36.00	91.4	D	36.00	91.4
B	36.00	91.4	E	4.00	10.2
C	28.50	72.4	F	1.00	2.5





SD-1150-WP

DIALYSIS WHEELCHAIR SCALE

The Summit™ SD-1150-WP dialysis wheelchair scale is designed to accommodate the unique needs of dialysis patients. It is designed to be pit-mounted flush with the floor for multipurpose weighing. Its heavy-duty handrail enhances patient safety and convenience, and is positioned to remain clear of wheelchairs. Convenient keypad tare reduces errors and increases efficiency.

FEATURES

- Package includes scale, pit frame, handrail and indicator
- Large LCD display
- Antimicrobial keypad
- Heavy-duty mild steel construction
- Live handrail for accuracy and patient safety
- Unit of measure toggle or locking
- Motiontrap™ movement compensation technology
- EMR capable
- Serial and USB data communication ports
- Bluetooth® BLE 4.0 available, part number selectable
- Tare function
- Hold function
- BMI (body mass index) function
- Factory calibrated

SPECIFICATIONS

Capacity:
1,000 × 0.2 lb (450 × 0.1 kg)

Platform Dimensions:
(L × W × H)
36.00 × 36.00 × 3.00 in

Power:
9 VDC, provided by six AA alkaline batteries (included) or AC adapter (optional)

Battery Type:
Six AA alkaline (included)

Battery Use:
25 hours continuous use with batteries
Automatic power-off can be configured

Display:
5-digit LCD display, 0.75 in (1.9 cm) digit height

Cable Length:
10 ft (3.1 m) cable between scale base and indicator

Temperature:
Operating:
50 °F to 104 °F (10 °C to 40 °C)

Warranty:
Two-year limited





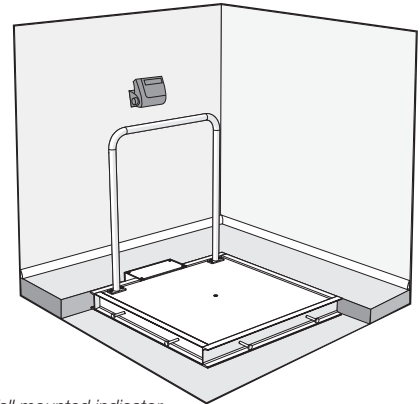
WHEELCHAIR SCALE

MODEL	CAPACITY	COMMUNICATION	PART #
SD-1150-WP	1,000 × 0.2 lb (450 × 0.1 kg)	USB	150707
SD-1150-WPBLE	1,000 × 0.2 lb (450 × 0.1 kg)	Bluetooth® BLE 4.0	205978

OPTIONS

DESCRIPTION	PART #
9 VDC adapter, 120 V/230 V auto switching*	133077
9 VDC adapter, 230 V**	102508
Epson TM-U220 tape printer	81076
Cable, RS232 scale to printer, 6 ft, 25-pin D-Sub (male) to RJ45	186830

*NEMA 1-15 Plug  **CEE 7/16 Plug 



Wall mounted indicator, cable enclosed in customer supplied conduit.

PG 55



SHIPPING WEIGHT

MODEL #	PART #	L (IN)	W (IN)	H (IN)	PACKAGE WGT. (LB)	DIM WGT. (LB)	SHIPPING WGT. (LB)
SD-1150-WP	150707	40	39	15	246	169	246
SD-1150-WPBLE	205978	40	39	15	246	169	246

*Pallet weight and dimensions are included in shipping weights

DIMENSIONS

	INCHES	CENTIMETERS		INCHES	CENTIMETERS
A	36.00	91.4	E	31.50	80.0
B	36.00	91.4	F	37.00	94.0
C	3.00	7.6	G	35.50	90.2
D	28.5	72.4			

