

C2P1

Alloy Steel, Environmentally Sealed, NTEP Certified 1:4,500 Class III L Multiple Cell, IP67



Picture is a representation of actual product.

Approvals

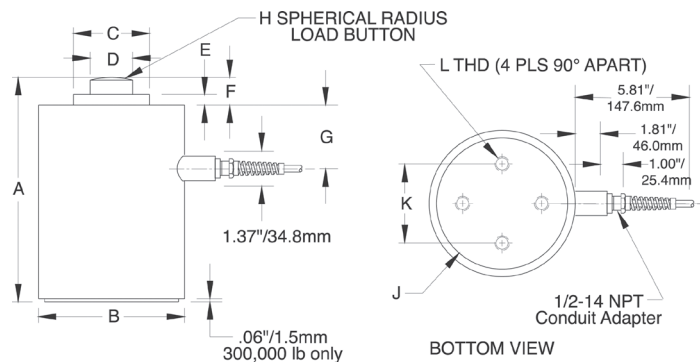


Order Information

| Load Rating | Part # | Est. Weight | Price |
|---|--------|-------------|---------|
| NTEP Certified, 10 ft Cables | | | |
| 20,000 lb | 21625 | 25 lb | Consult |
| 50,000 lb | 21626 | 25 lb | Consult |
| 100,000 lb | 21627 | 50 lb | Consult |
| 200,000 lb | 21628 | 110 lb | Consult |
| NTEP Certified, 35 ft Cables | | | |
| 20,000 lb | 21630 | 25 lb | Consult |
| 50,000 lb | 21632 | 25 lb | Consult |
| 100,000 lb | 21633 | 50 lb | Consult |
| 200,000 lb | 21634 | 110 lb | Consult |
| Non-NTEP Certified, 10 ft Cables | | | |
| 300,000 lb | 17670 | 180 lb | Consult |
| Non-NTEP Certified, 35 ft Cables | | | |
| 300,000 lb | 17671 | 190 lb | Consult |

Dimensions

| Rated Capacity | A | B | C | D | E | F | G | H | J | K | L |
|------------------|-------|-------|------|------|------|------|------|-------|------|------|-----------------------|
| lb/in | | | | | | | | | | | |
| 20,000 to 50,000 | 7.50 | 4.50 | 2.25 | 1.25 | 0.50 | 0.75 | 2.50 | 6.00 | — | 2.38 | 3/8-24 UNF × 3/8 DP |
| 100,000 | 9.13 | 6.00 | 3.13 | 1.75 | 0.63 | 1.06 | 2.50 | 12.00 | — | 4.00 | 1/2-20 UNF × 3/4 DP |
| 200,000 | 11.63 | 8.00 | 4.50 | 2.50 | 0.63 | 1.06 | 3.50 | 12.00 | — | 5.50 | 5/8-18 UNF × 1 DP |
| 300,000 | 14.00 | 10.00 | 5.00 | 3.00 | 0.75 | 1.31 | 4.31 | 15.00 | 8.00 | 5.50 | 3/4-16 UNF × 1 1/4 DP |



Interchangeable Products

- FAIRBANKS®
3-38065-X, 3-38066-X
- STREETER RICHARDSON®
2011611, 2011612
- STREETER RICHARDSON
2011613, 2011614, 2011617
- METTLER TOLEDO®
10049200A, 10014900A
- METTLER TOLEDO
10011900A, 10049300A

Specifications

- Full Scale Output:**
2.0 mV/V
- Output Resistance:**
350 (± 3.5) ohm
- Input Resistance:**
350 (± 3.5) ohm
- Material/Finish:**
High-alloy steel, epoxy coated
- Temperature:**
Compensated:
14 °F to 104 °F (-10 °C to 40 °C)
Operating:
0 °F to 150 °F (-18 °C to 65 °C)
- Seal Type:**
NEMA Type 6 Environmentally sealed, IP67
- Safe Overload:**
150% full scale
- Rated Excitation:**
5 to 20 VDC
- Nonlinearity:**
0.03% full scale
- Hysteresis:**
0.02% full scale
- Insulation Resistance:**
5,000 megohm
- Deflection at Capacity:**
20,000 lb: 0.0075 in
30,000 lb: 0.0075 in
50,000 lb: 0.0065 in
100,000 lb: 0.0075 in
200,000 lb: 0.0070 in
300,000 lb: 0.012 in
- Cable Length:**
10 ft
35 ft
- Cable Color Code:**
Green +Excitation
Black -Excitation
White +Signal
Red -Signal
Yellow Shield
- Warranty:**
Three-year limited
- Approvals:**
NTEP
FM

VPG® BLH®