



Multifunction pallet truck weigher

Easy-to-use and handy pallet truck scale with weight indicator integrated into a rugged steel enclosure protecting the weighing electronics against accidental impacts.

Powered through 4 AA batteries and equipped with an optional park brake, it can be also used on board of vehicles.

| CAPACITY (kg) | FORK SIZES (mm) | DIVISION (kg) |
|---------------|-----------------|---------------|
| | | STANDARD |
| 2000 | 1150x550xh85 | 1 |



AVAILABLE IN FINISHING



STAINLESS



Pallet truck with printer and rechargeable battery

Pallet truck scale fitted with function digital keyboard and printer, suitable for weighing and printing receipts and total weight.

Available in the version with large forks for “fruits & vegetables” and in a fully AISI 304 STAINLESS steel version.

| CAPACITY (kg) | FORK SIZES (mm) | | DIVISION (kg) | |
|---------------|-----------------|--------------|---------------|--------------|
| | 1150x550xh85 | 1150x680xh85 | STANDARD | APPROV* CE M |
| | 500/1000/2000 | • | • | 0,2/0,5/1 |
| 1000/2000 | • | • | - | 0,5/1 |



RADIO (868 MHz)



REVOLVING HEAD



Professional high-precision pallet truck scale

Pallet truck scale equipped with a special mechanical system allowing a higher accurate weighing and a greater load capacity.

| CAPACITY (kg) | FORK SIZES (mm) | DIVISION (kg) | | |
|---------------|-----------------|---------------|--------------|-------------|
| | | STANDARD | APPROV* CE M | HIGH RESOL. |
| 600/1500/2500 | 1150x550xh85 | 0,2/0,5/1 | - | 0,1/0,2/0,5 |
| 600/1500 | 1150x550xh85 | - | 0,2/0,5 | - |
| 1500/2500 | 1150x550xh85 | - | 0,5/1 | - |



Pallet truck with advanced data management

“Enterprise” is a high-order pallet truck scale using the latest technology to integrate and manage the weight data.

An advanced weighing program and a wide range of interfaces available allow it to be easily integrated into the corporate's IT network for a real-time data communication, issuing fully customised receipts or printing barcode labels. It can also be fitted with a barcode reader for a quick identification of the weighed product.

| CAPACITY (kg) | FORK SIZES (mm) | DIVISION (kg) | |
|---------------|-----------------|---------------|---------|
| | | STANDARD | APPROV* |
| 500/1000/2000 | 1150x550xh85 | 0,2/0,5/1 | - |
| 1000/2000 | 1150x550xh85 | - | 0,5/1 |



STAINLESS steel professional pallet truck scale

AISI 304 stainless steel professional pallet truck scale ideal for use in industrial environments where strict hygiene requirements must be met, suitable for the chemical and pharmaceutical industry and harsh working conditions. The weighing electronics are watertight with IP68 degree of protection.

| CAPACITY (kg) | FORK SIZES (mm) | DIVISION (kg) | |
|---------------|-----------------|---------------|---------|
| | | STANDARD | APPROV* |
| 500/1000/2000 | 1182x550xh80 | 0,2/0,5/1 | - |
| 1000/2000 | 1182x550xh80 | - | 0,5/1 |

*On request: ATEX version and “Pharma” version with standard division = 0,1 kg



Professional pallet truck scales for ATEX potentially explosive environments



Pallet truck scales suitable for use in areas classified as potentially explosive (zones 1 and 21 & 2 and 22). The weight detection, through four IP68 Atex certified stainless steel load cells, guarantees the weighing highest accuracy under any working condition. A wide range of accessories allows to transfer weighing data from the dangerous zone to the PC or the printer installed in a safe area for a subsequent processing.

| CAPACITY (kg) | FORK SIZES (mm) | DIVISION (kg) | | |
|---------------|-----------------|---------------|---------|-------------|
| | | STANDARD | APPROV* | HIGH RESOL. |
| 500/1000/2000 | 1150x550xh85 | 0,2/0,5/1 | - | 0,1/0,2/0,5 |
| 1000/2000 | 1150x550xh85 | - | 0,5/1 | - |
| 600/1500/2500 | 1150x550xh85 | 0,2/0,5/1 | - | 0,1/0,2/0,5 |
| 600/1500 | 1150x550xh85 | - | 0,2/0,5 | - |
| 1500/2500 | 1150x550xh85 | - | 0,5/1 | - |



Weighing forks for lift trucks

Pair of forks with in-built weighing for lift trucks, easy-to-use, sturdy and reliable. They can be quickly and easily installed in place of the original forks and allow a clear display of the loaded weight. Compatible with any lift truck equipped with a DIN 15173 – FEM-type fork-carrying plate, IIA or IIIA class (IIB optional).



| | 1160x146xh65 | 1160x190xh80 | DIVISION (kg) | |
|----------------|-----------------|--------------|---------------|--------------|
| CAPACITY (kg) | FORK SIZES (mm) | | STANDARD | APPROV. CE M |
| 500/1000/2500 | • | | 1/2/5 | - |
| 1000/2500 | • | | - | 2/5 |
| 1000/2500/5000 | | • | 2/5/10 | - |
| 2500/5000 | | • | - | 5/10 |



| | A | B | C | D | E | F | G | H | I | L | M |
|--------|------|-----|------|-----|------|-----|-----|----|----|-----|-----|
| LTF 25 | 1162 | 146 | 1277 | 326 | 720 | 82 | 385 | 76 | 65 | 700 | 355 |
| LTF 50 | 1160 | 194 | 1290 | 376 | 1000 | 100 | 477 | 76 | 80 | 930 | 405 |

Dimensions in mm

INTEGRATED SOLUTIONS

APPS for smartphones and tablets for weight management and data sharing



ESSENTIAL TO:

- Read tare, gross and net weight
- Run a simple or pre-set tare and store up to 5 known tares
- Save weighing, add up and display the total immediately
- Enter texts or codes to identify any weighing.
- Share stored data on-line and in real time.



GET DINI ARGEO APPS NOW ON

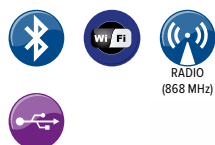


Find out more on www.diniargo.com

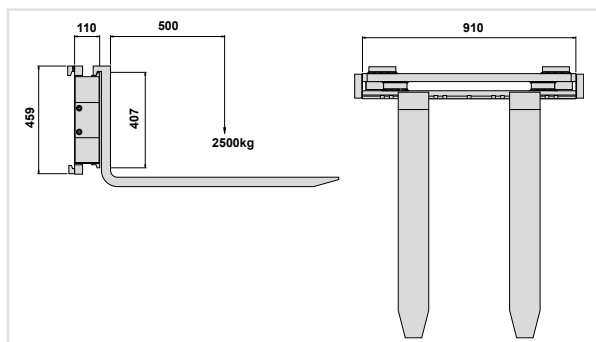
Weighing carriage for forklift truck

Weighing platform for forklifts equipped with fixing guide, in compliance with DIN15173 - FEM, II class, suitable for turning an ordinary lift truck into a mobile electronic scale. Extremely sturdy and precise, it is the best solution for weighing any kind of product on pallet.

| CAPACITY (kg) | FORK SIZES (mm) | DIVISION (kg) | |
|---------------|-----------------|---------------|--------------|
| | | STANDARD | APPROV* CE M |
| 600 | 910x407xh110 | 0,2 | - |
| 1500 | 910x407xh110 | 0,5 | - |
| 2500 | 910x407xh110 | 0,5 | - |
| 600/1500 | 910x407xh110 | 0,2/0,5 | 1/2 |
| 1500/2500 | 910x407xh110 | - | 2/5 |



CAP 2 Go to chapter **FUNCTIONALITY** And choose **the indicator** most suited to your needs!



The smartest and cheapest solution making your everyday work easier!



An application allowing for **real-time** weighing data sharing with the company IT system.

