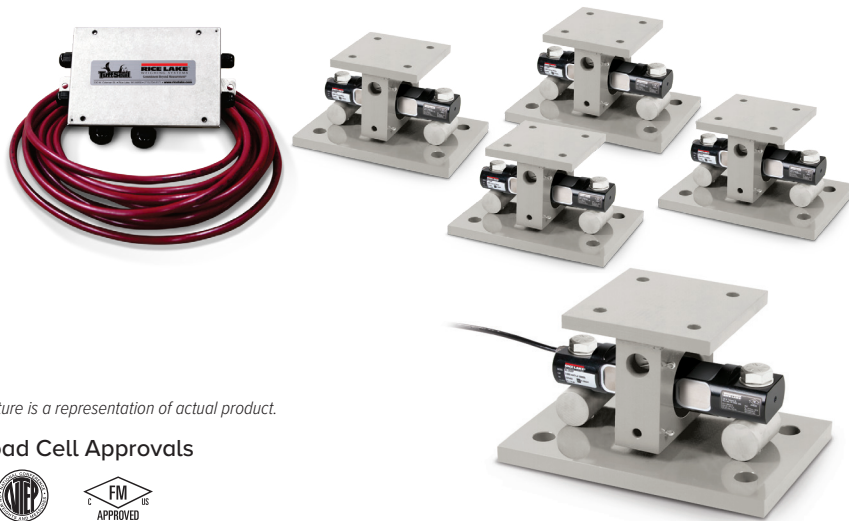


EZ Mount 1 with MLC Coated RL72020

Stainless Steel, Weigh Modules



Picture is a representation of actual product.

Load Cell Approvals



Order Information

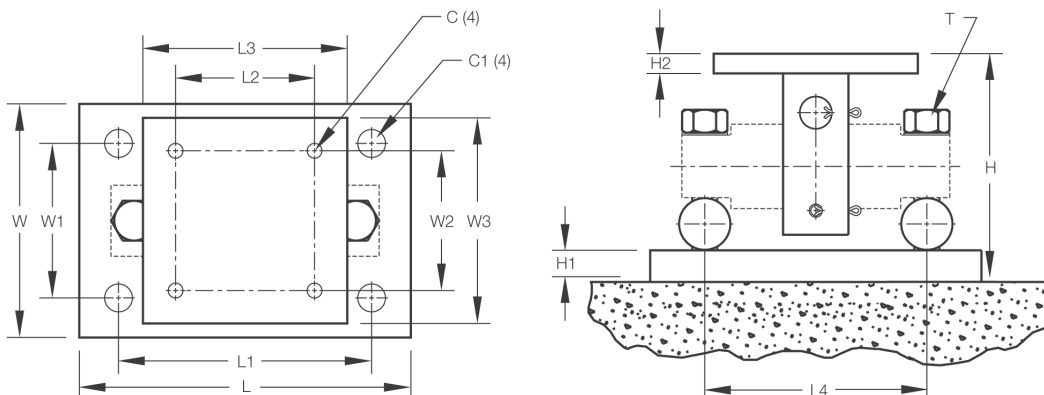
Load Rating (Per Module)	Part #	Price
Single Module (Does NOT Include Load Cell)		
5,000 to 20,000 lb	17943	Consult
30,000 to 60,000 lb	17944	Consult
100,000 lb	17945	Consult
150,000 lb	29011	Consult
3-Module Kit		
5,000 lb	208957	Consult
10,000 lb	208959	Consult
20,000 lb	208961	Consult
30,000 lb	208963	Consult
40,000 lb	208965	Consult
50,000 lb	208967	Consult
60,000 lb	208969	Consult
100,000 lb	208971	Consult
150,000 lb	208973	Consult

Load Rating (Per Module)	Part #	Price
4-Module Kit		
5,000 lb	208958	Consult
10,000 lb	208960	Consult
20,000 lb	208962	Consult
30,000 lb	208964	Consult
40,000 lb	208966	Consult
50,000 lb	208968	Consult
60,000 lb	208970	Consult
100,000 lb	208972	Consult
150,000 lb	208974	Consult
Dummy Load Cells (Mild Steel)		
5,000 to 20,000 lb	33749	Consult
30,000 to 60,000 lb	74016	Consult
100,000 lb	94175	Consult
150,000 lb	158715	Consult
Grounding Kit		
5,000 to 60,000 lb	126419	Consult

Includes ground strap and mounting hardware per mount

Dimensions

Rated Capacity	C	C1	H	H1	H2	L	L1	L2	L3	L4	T	W	W1	W2	W3
5,000 to 20,000	0.56	1.06	5.31	0.75	0.50	11.00	8.00	3.00	6.00	6.87	5/8-18 UNF	7.50	4.00	3.00	6.00
30,000 to 60,000	0.68	1.19	8.43	1.00	0.75	15.00	11.50	5.12	8.00	8.50	1-14 UNS	10.00	6.00	5.12	8.00
100,000 to 150,000	0.81	1.38	10.37	1.25	1.25	18.00	14.00	7.50	10.00	9.50	1-14 UNS	12.00	9.00	7.50	10.00



Complete Kit Includes

- Three or four EZ Mount 1 stainless steel compression mounts with coated RL72020 MLC Coated NTEP Certified double-ended shear beam load cells
- One JB4SS NEMA Type 4X stainless steel signal trim junction box
- 25 ft of hostile environment EL147HE SURVIVOR® load cell cable

Standard Features

- Capacities (per module): 5,000 to 150,000 lb
- Unique sliding pin design compensates for thermal expansion/contraction
- Stainless steel construction (mount)
- Self-checking
- Easy load cell replacement
- Simplified design allows bolting directly to tank and floor
- Center-loaded double-ended shear beam design
- Low-profile design

Applications

- Medium to heavy capacity tank and fertilizer hopper weighing applications

WEIGH MODULES