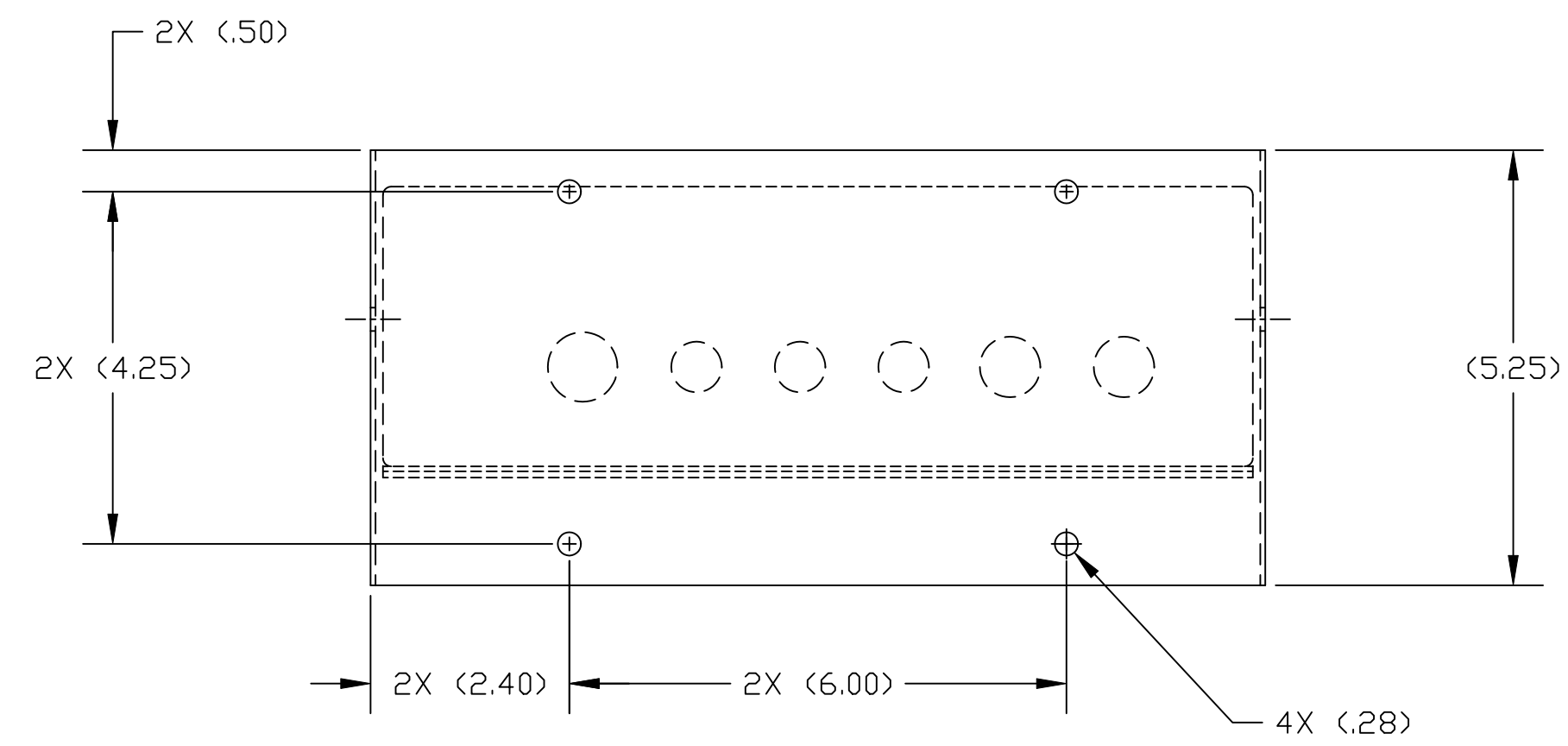
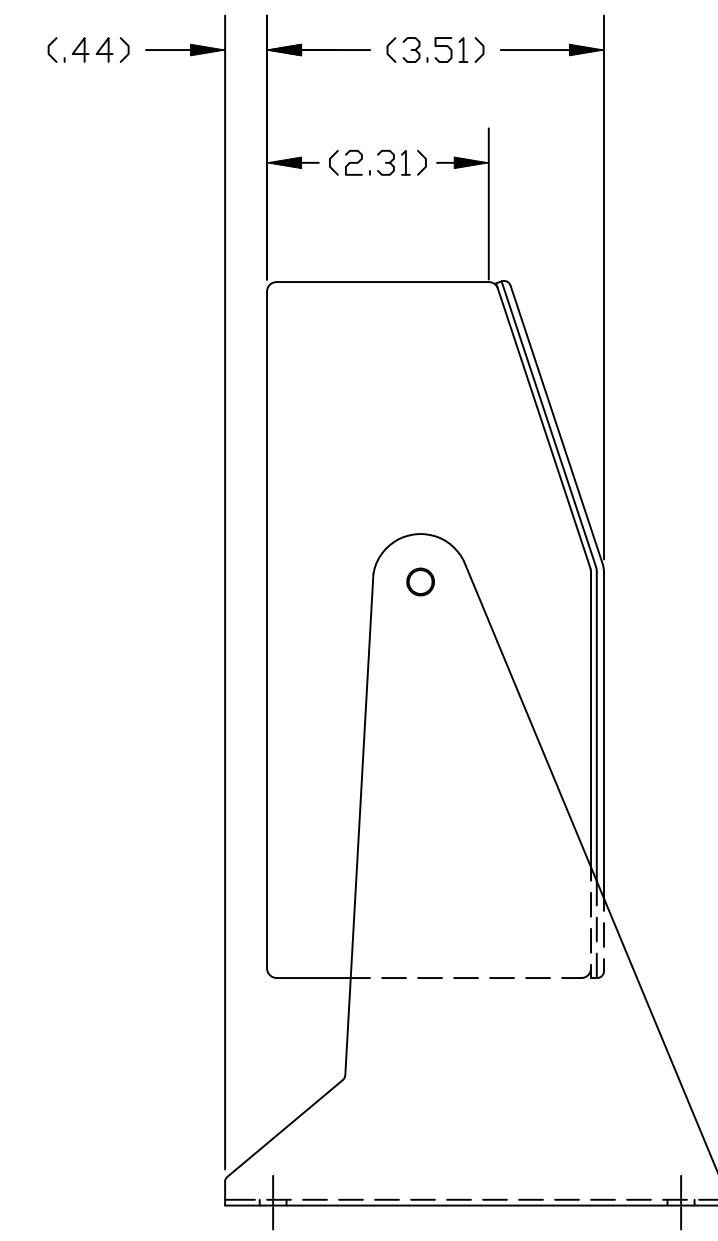
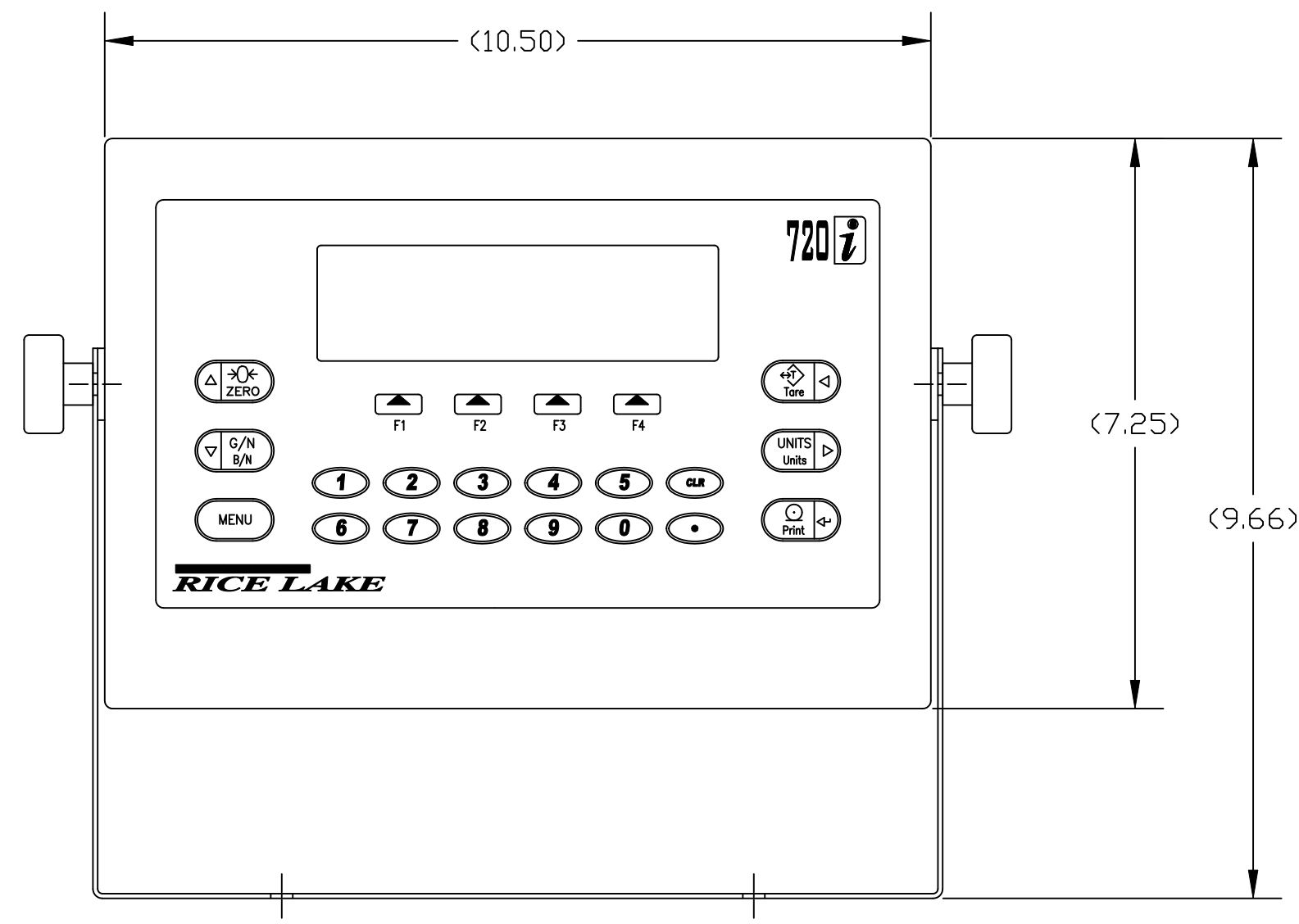


REVISION			
REV	REFERENCE	INIT	DATE



MATERIAL	SEE BOM	UNLESS OTHERWISE SPECIFIED UNITS TO BE INCHES ALL THREADS TO BE CLASS 2 ALL DIMENSIONS APPLICABLE AFTER TREATMENT DO NOT SCALE DRAWING DRAWING TOLERANCES UNLESS OTHERWISE SPECIFIED	THIS DRAWING AND INFORMATION CONTAINED HERE IN, IS AND REMAINS THE PROPERTY OF RICE LAKE WEIGHING SYSTEMS INC. IT IS SUBMITTED AND MAY BE USED ONLY IN CONNECTION WITH RICE LAKE WEIGHING SYSTEMS' PROPOSAL AND/OR ITS CUSTOMERS' ORDERS. IT SHALL NOT BE DISCLOSED TO OTHERS OR COPIED WITHOUT RICE LAKE WEIGHING SYSTEMS' SPECIFIC WRITTEN CONSENT AND SHALL BE IMMEDIATELY RETURNED UPON REQUEST.	
	TREATMENT			
SURFACE FINISH		TOLERANCES	TITLE	
✓		.XX: --- .XXX: --- ANGLE: ±1°	INDICATOR, 720i UNIVERSAL LINE DRAWING	
DES. ENG.: MFG. ENG.: DRAWN BY: DFH 2/4/11		THIRD ANGLE PROJECTION	SHEET 1 OF 1	SCALE N/A DWG NO. (101230) REV NEW