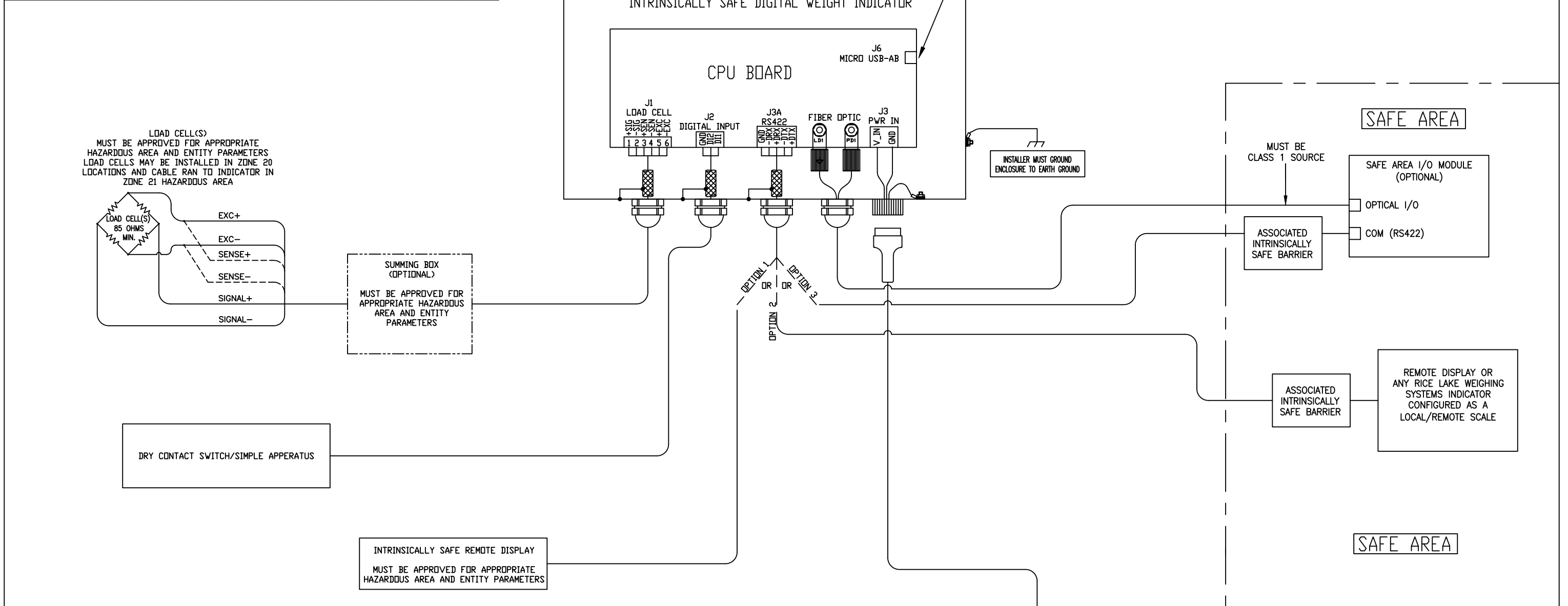


ENTITY PARAMETERS FOR 882IS										
Entity Input Parameters						Entity Output Parameters				
TERMINALS	V <sub>max</sub> /U <sub>i</sub> (V)	I <sub>max</sub> /I <sub>i</sub> (A)	P <sub>i</sub> (W)	C <sub>i</sub> (uF)	L <sub>i</sub> (uH)	V <sub>oc</sub> /U <sub>o</sub> (V)	I <sub>sc</sub> /I <sub>o</sub> (A)	P <sub>o</sub> (W)	C <sub>a</sub> /C <sub>o</sub> (uF)	L <sub>a</sub> /L <sub>o</sub> (uH)
J1 LOAD CELL IIC						5.88	0.15	0.2205	5.32	1577
J2 DIGITAL INPUT IIC						5.88	0.5	0.735	5.32	140
J3A RS422 IIC	5.88	3.65	1.25	37.68	0	5.88	3.65	1.25	5.32	2.669
J3 POWER IN IIC	7.9	3.65	6.27	6.38	0					

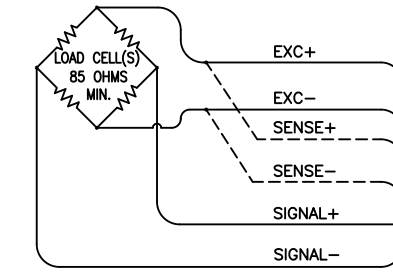
**HAZARDOUS AREA**

CLASS I, II, III DIVISION 1, GROUPS A,B,C,D,E,F,G  
 CLASS I, ZONE 0, GROUP IIC  
 ZONE 21, GROUP IIIC

REVISION			
REV	REFERENCE	INIT	DATE
A	ENGINEERING RELEASE	BJB	11/15/18
B	ECO17074: FM CHANGES TO PRINT	ABC	04/02/21
C	ECO17693: UPDATE ATEX/IECEx ZONE 21	BJB	02/24/22



LOAD CELL(S)  
 MUST BE APPROVED FOR APPROPRIATE HAZARDOUS AREA AND ENTITY PARAMETERS  
 LOAD CELLS MAY BE INSTALLED IN ZONE 20 LOCATIONS AND CABLE RAN TO INDICATOR IN ZONE 21 HAZARDOUS AREA



SUMMING BOX (OPTIONAL)  
 MUST BE APPROVED FOR APPROPRIATE HAZARDOUS AREA AND ENTITY PARAMETERS

DRY CONTACT SWITCH/SIMPLE APPERATUS

INTRINSICALLY SAFE REMOTE DISPLAY  
 MUST BE APPROVED FOR APPROPRIATE HAZARDOUS AREA AND ENTITY PARAMETERS

INSTALLER MUST GROUND ENCLOSURE TO EARTH GROUND

MUST BE CLASS 1 SOURCE

SAFE AREA

SAFE AREA I/O MODULE (OPTIONAL)  
 OPTICAL I/O  
 COM (RS422)

ASSOCIATED INTRINSICALLY SAFE BARRIER

ASSOCIATED INTRINSICALLY SAFE BARRIER

REMOTE DISPLAY OR ANY RICE LAKE WEIGHING SYSTEMS INDICATOR CONFIGURED AS A LOCAL/REMOTE SCALE

SAFE AREA

BATTERY OR POWER SUPPLY  
 MUST BE APPROVED FOR APPROPRIATE HAZARDOUS AREA AND ENTITY PARAMETERS

- NOTES:
- THIS DRAWING IS FOR CUSTOMER INSTALLATION AND WIRING ONLY.
  - INSTALLATION OF EQUIPMENT SHALL BE IN ACCORDANCE WITH NEC (NFPA 70, ARTICLES 500-506) AND ANSI/ISA-RP12.06.01 TO MEET US REQUIREMENTS. FOR CANADIAN REQUIREMENTS CONSULT C22.1. FOR US INSTALLATIONS, INTERCONNECTING DEVICES IN THE HAZARDOUS AREA MUST BE FM APPROVED.
  - C<sub>i</sub> AND L<sub>i</sub> PARAMETERS MUST TAKE INTO ACCOUNT CABLE CAPACITANCE AND INDUCTANCE. IF THE CABLE ELECTRICAL PARAMETERS ARE UNKNOWN THE DEFAULT VALUES SHALL BE:  
 CAPACITANCE = 60pF/FT      INDUCTANCE = 0.2uH/FT
  - FM ENTITY APPROVED INTRINSICALLY SAFE DEVICES CAN BE INTERCONNECTED WHEN ENTITY PARAMETERS MEET THE FOLLOWING CONDITIONS.  
 $V_{max}(U_i) \geq V_{oc}(U_o)$ ,  $C_i + C_{cable} \leq C_a(C_o)$ ,  $L_i + L_{cable} \leq L_a(L_o)$ ,  $P_o \leq P_i$ ,  $I_o(I_{sc}) \leq I_{max}$
  - MUST BE PROTECTED IN RIGID CONDUIT ACCORDING TO LOCAL AND NATIONAL ELECTRICAL CODES. FOLLOW ELECTRICAL CODES FOR APPROPRIATE CABLES, SEALS, AND FITTINGS ALONG WITH INSTALLATION LOCATIONS.
  - SEE TABLE FOR ENTITY PARAMETERS.
  - ALL UNUSED CABLE GLANDS MUST BE PLUGGED.

THIS DOCUMENT IS A FACTORY MUTUAL APPROVED DOCUMENT. ALL CHANGES OR REVISIONS MUST BE AUTHORIZED BY FACTORY MUTUAL RESEARCH CORPORATION AND BY RICE LAKE WEIGHING SYSTEMS.

UNLESS OTHERWISE SPECIFIED UNITS TO BE INCHES ALL THREADS TO BE CLASS 2 ALL DIMENSIONS APPLICABLE AFTER TREATMENT DO NOT SCALE DRAWING	TOLERANCES .XX: .XXX: ANGLE:	THIS DRAWING AND INFORMATION CONTAINED HEREIN IS THE PROPERTY OF RICE LAKE WEIGHING SYSTEMS. IT IS LOANED TO YOU BY RICE LAKE WEIGHING SYSTEMS AND IS NOT TO BE REPRODUCED OR COPIED IN ANY MANNER WITHOUT THE WRITTEN PERMISSION OF RICE LAKE WEIGHING SYSTEMS. SPECIFIC INQUIRY SHOULD BE MADE TO RICE LAKE WEIGHING SYSTEMS FOR FURTHER INFORMATION.	
DES. ENG.: MFG. ENG.: DRAWN BY: BJB 12/14/16	1 of 1	NA	180948