

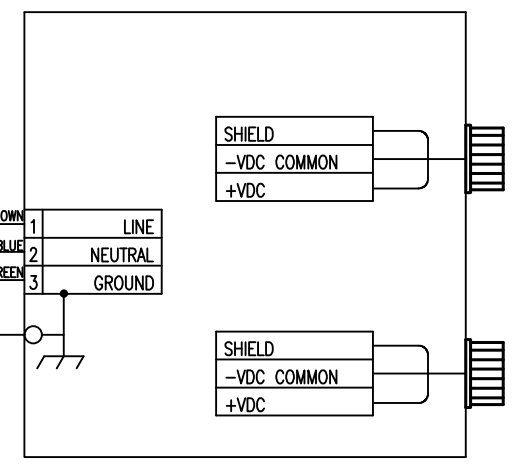
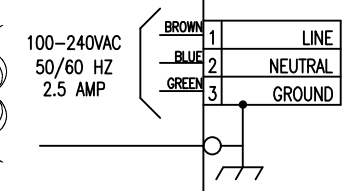
REVISION			
REV	REFERENCE	INIT	DATE
A	ENG. RELEASE	BJB	11/15/18

HAZARDOUS AREA
 CLASS I, II, III, DIVISION 1, GROUPS A,B,C,D,E,F,G
 CLASS 1, ZONE 1, GROUP IIC
 ZONE 21, GROUP IIIC
 NOT INCLUDING ACIDIC ATMOSPHERES

HAZARDOUS AREA
 CLASS I, II, III DIVISION 1, GROUPS A,B,C,D,E,F,G
 CLASS I, ZONE 0, GROUP IIC
 ZONE 20, GROUP IIIC

INTRINSICALLY SAFE DUAL OUTPUT POWER SUPPLY
 mb-EPS-100-240-X2

SEE NOTES 2 & 5



ENTITY PARAMETERS FOR DUAL POWER SUPPLY					
TERMINALS	Voc/ Uo(V)	Isc/Io (A)	Po(W)	Ca/Co (uF)	La/Lo (uH)
DUAL SUPPLY (per channel)	7.875	1.326	2.6	8.8	20.2

ANY APPROVED INTRINSICALLY SAFE APPARATUS
 MUST BE APPROVED FOR APPROPRIATE HAZARDOUS
 AREA AND ENTITY PARAMETERS

ENTITY PARAMETERS

$V_{max} \geq 7.875V$
 $I_{max} \geq 1.326A$
 $C_i \leq C_a$ - Cable Capacitance
 $L_i \leq L_a$ - Cable Inductance
 $P_i \geq 2.6W$

SEE NOTE 3 & 4

ANY APPROVED INTRINSICALLY SAFE APPARATUS
 MUST BE APPROVED FOR APPROPRIATE HAZARDOUS
 AREA AND ENTITY PARAMETERS

ENTITY PARAMETERS

$V_{max} \geq 7.875V$
 $I_{max} \geq 1.326A$
 $C_i \leq C_a$ - Cable Capacitance
 $L_i \leq L_a$ - Cable Inductance
 $P_i \geq 2.6W$

SEE NOTE 3 & 4

NOTES:

- THIS DRAWING IS FOR CUSTOMER INSTALLATION AND WIRING ONLY.
- POWER SUPPLY CAN NOT BE INSTALLED IN ACIDIC ATMOSPHERES. INSTALLATION OF EQUIPMENT SHALL BE IN ACCORDANCE WITH NEC (NFPA 70, ARTICLES 500-506) AND ANSI/ISA-RP12.06.01 TO MEET US REQUIREMENTS. FOR CANADIAN REQUIREMENTS CONSULT C22.1. FOR US INSTALLATIONS, INTERCONNECTING DEVICES IN THE HAZARDOUS AREA MUST BE FM APPROVED.
- C_i AND L_i PARAMETERS MUST TAKE INTO ACCOUNT CABLE CAPACITANCE AND INDUCTANCE. IF THE CABLE ELECTRICAL PARAMETERS ARE UNKNOWN THE DEFAULT VALUES SHALL BE:
 CAPACITANCE = 60pF/FT INDUCTANCE = 0.2uH/FT
- FM ENTITY APPROVED INTRINSICALLY SAFE DEVICES CAN BE INTERCONNECTED WHEN ENTITY PARAMETERS MEET THE FOLLOWING CONDITIONS.
 $V_{max}(U_i) \geq V_{oc}(U_o)$, $C_i + C_{cable} \leq C_a(C_o)$, $L_i + L_{cable} \leq L_a(L_o)$, $P_o \leq P_i$, $I_o(I_{sc}) \leq I_{max}$
- CONDUIT SEAL IS REQUIRED AT ENCLOSURE ENTRANCE FOR AC POWER WHEN INSTALLED IN A DIVISION 1 OR ZONE 1/21 HAZARDOUS LOCATION.

THIS DOCUMENT IS A FACTORY MUTUAL APPROVED DOCUMENT. ALL CHANGES OR REVISIONS MUST BE AUTHORIZED BY FACTORY MUTUAL RESEARCH CORPORATION AND BY RICE LAKE WEIGHING SYSTEMS.

NOT APPLICABLE	UNLESS OTHERWISE SPECIFIED UNITS TO BE INCHES ALL THREADS TO BE CLASS 2 ALL DIMENSIONS APPLICABLE AFTER TREATMENT	THIS DRAWING AND INFORMATION CONTAINED HEREIN IS AND REMAINS THE PROPERTY OF RICE LAKE WEIGHING SYSTEMS, INC. IT IS FORWARDED AND MAY BE USED ONLY AS SPECIFIED IN THE RICE LAKE WEIGHING SYSTEMS' PROPOSAL AND/OR ITS CUSTOMER'S ORDER. IF SHALL NOT BE OCCASION TO ORDER OR COVER WEIGHT RICE LAKE WEIGHING SYSTEMS' SPECIFIC WEIGHT GROUP AND SHALL BE IMMEDIATELY RETURNED UPON REQUEST.	RICE LAKE WEIGHING SYSTEMS
NOT APPLICABLE	SURFACE FINISH: .XX: .XXX: ANGLE:	mb-EPS-100-240-X2 CONTROL DRAWING	
DES. ENG.: MFG. ENG.: DRAWN BY: BJB 3/14/17	1	NA	182301