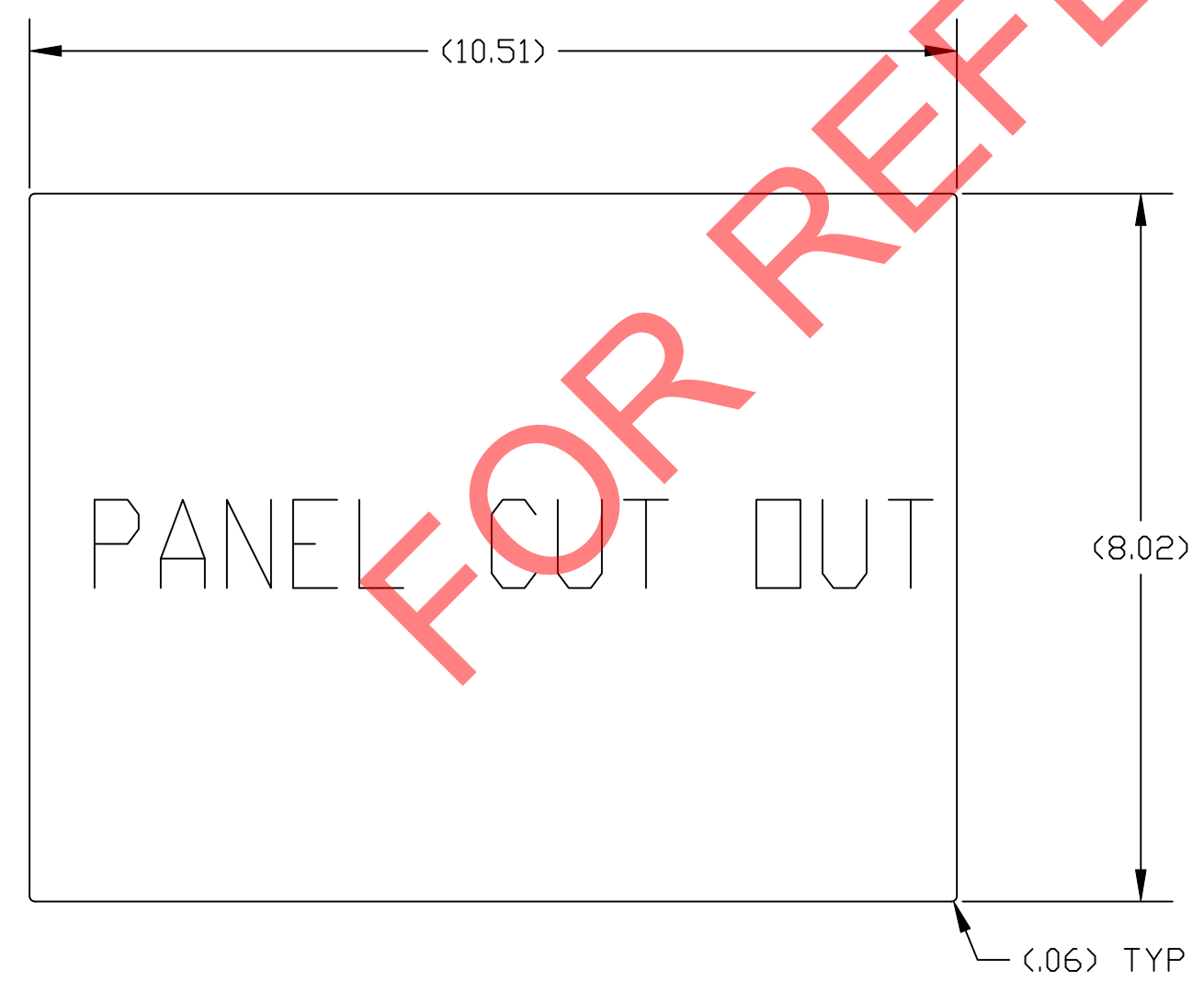
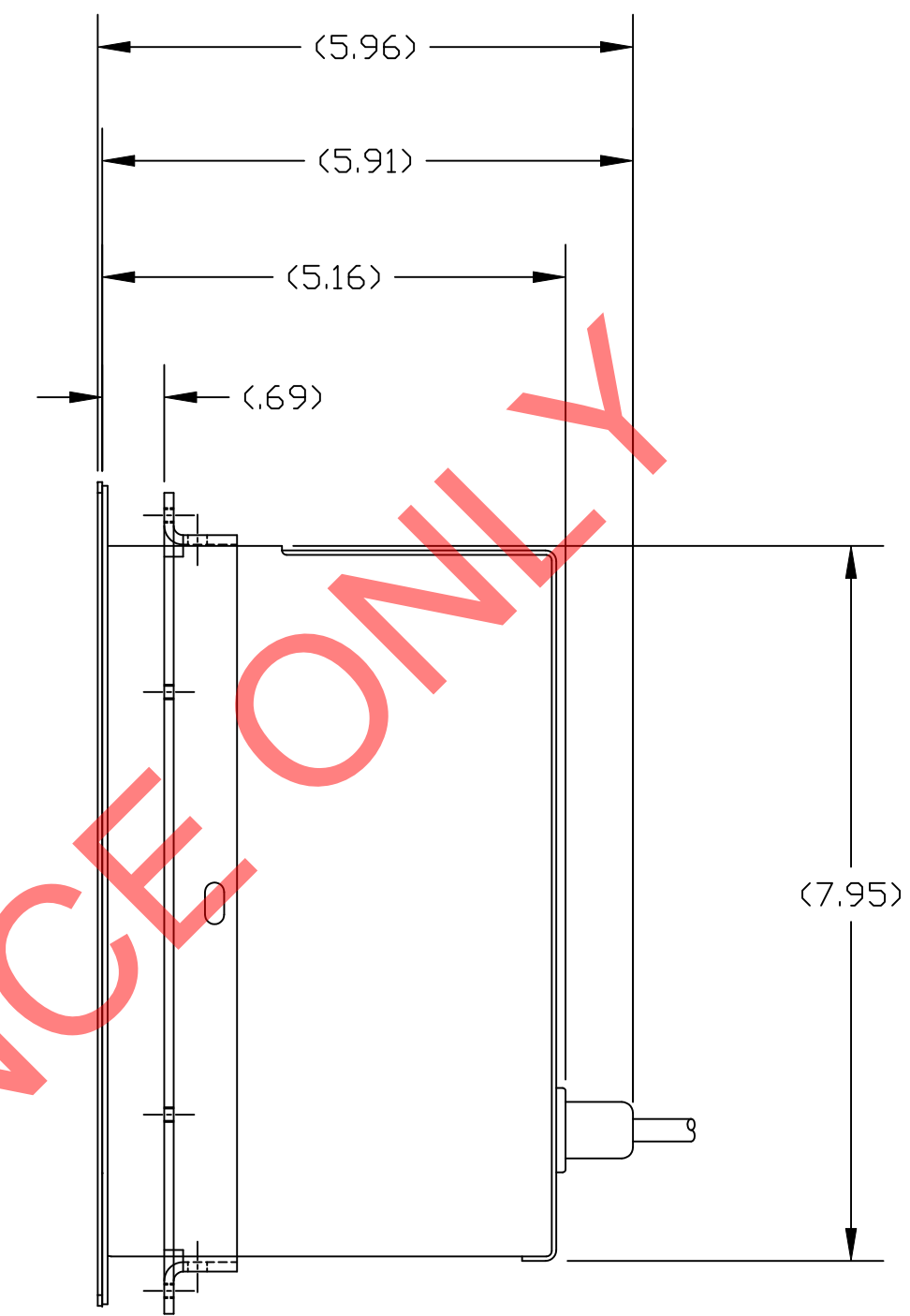
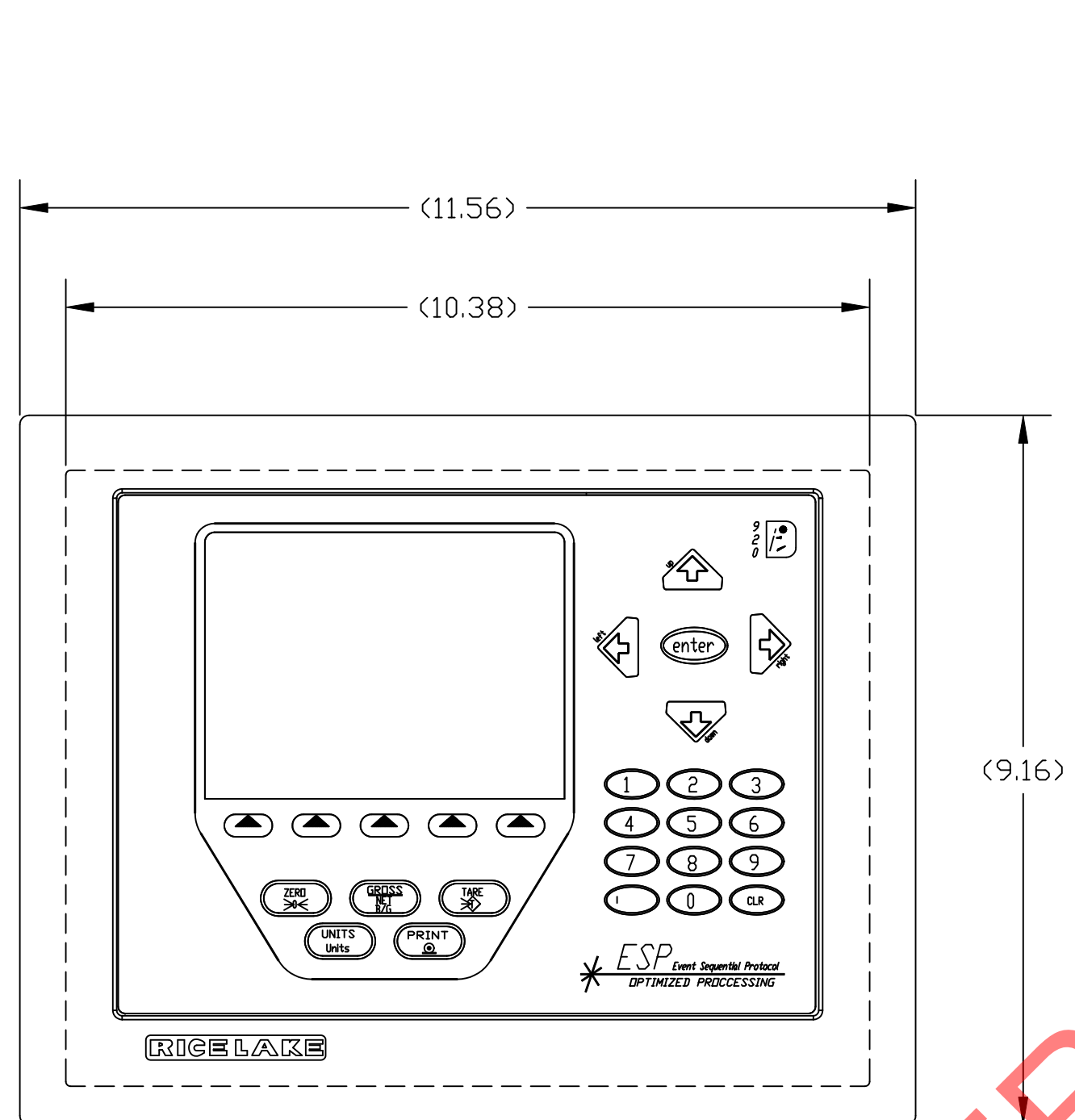


| REVISION | | | |
|----------|-----------|------|------|
| REV | REFERENCE | INIT | DATE |
| | | | |



FOR REFERENCE ONLY

| | | | | |
|----------|-----------|---|---|---|
| MATERIAL | SEE BOM | UNLESS OTHERWISE SPECIFIED UNITS TO BE INCHES ALL THREADS TO BE CLASS 2 ALL DIMENSIONS APPLICABLE AFTER TREATMENT DO NOT SCALE DRAWING DRAWING TOLERANCES UNLESS OTHERWISE SPECIFIED | THIS DRAWING AND INFORMATION CONTAINED HERE IN, IS AND REMAINS THE PROPERTY OF RICE LAKE WEIGHING SYSTEMS INC. IT IS SUBMITTED AND MAY BE USED ONLY IN CONNECTION WITH RICE LAKE WEIGHING SYSTEMS' PROPOSAL AND/OR ITS CUSTOMERS' ORDERS. IT SHALL NOT BE DISCLOSED TO OTHERS OR COPIED WITHOUT RICE LAKE WEIGHING SYSTEMS' SPECIFIC WRITTEN CONSENT AND SHALL BE IMMEDIATELY RETURNED UPON REQUEST. | |
| | TREATMENT | | | |
| | | SURFACE FINISH | TOLERANCES | TITLE |
| | | ✓ | .XX: --- .XXX: --- ANGLE: ±1° | INDICATOR, 920i PANNEL MOUNT |
| | | DES. ENG.: MFG. ENG.: DRAWN BY: DFH 3/24/10 | THIRD ANGLE PROJECTION | SHEET 1 OF 1 SCALE N/A DWG NO. (69764/69777) REV NEW |