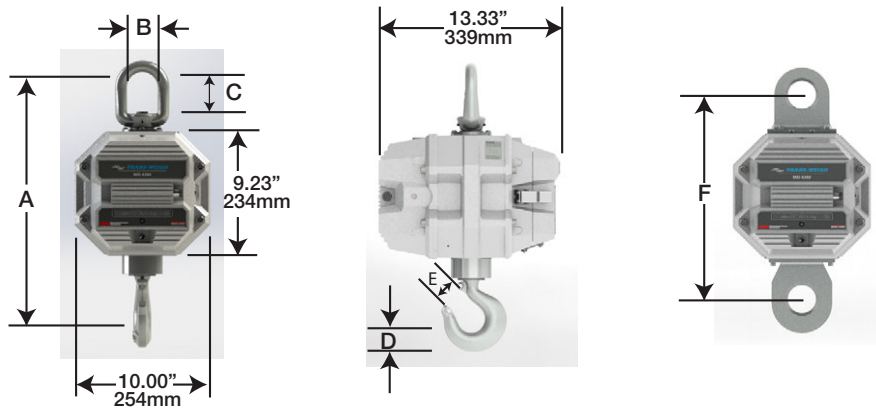


6.3 MSI-6360 Trans-Weigh Dimensions



Capacity	Resolution**	A*	B*	C*	D*	E*	F	Hook	Eye Nut or Shackle	Safety Factor	Shipping Wt
500 lb	0.2 lb	18.2 in	2.25 in	3.06 in	1.44 in	1.41 in	-	5 ton alloy swivel	CR # 7 eyenut	>5	51 lb
250 kg	0.1 kg	463 mm	57.1 mm	77.7 mm	37.0 mm	36.0 mm	-	5 ton alloy swivel	CR # 7 eyenut	>5	22 kg
2,000 lb	1 lb	18.2 in	2.25 in	3.06 in	1.44 in	1.41 in	-	5 ton alloy swivel	CR # 7 eyenut	>5	51 lb
1,000 kg	0.5 kg	463 mm	57.1 mm	77.7 mm	37.0 mm	36.0 mm	-	5 ton alloy swivel	CR # 7 eyenut	>5	22 kg
5,000 lb	1 lb	20.4 in	2.50 in	3.50 in	1.81 in	1.69 in	-	7 ton alloy swivel	CR # 8 eyenut	>5	60 lb
2,500 kg	0.5 kg	519 mm	64.0 mm	89.0 mm	46.0 mm	42.9 mm	-	7 ton alloy swivel	CR # 8 eyenut	>5	26 kg
10,000 lb	2 lb	20.4 in	2.50 in	3.50 in	1.81 in	1.69 in	-	7 ton alloy swivel	CR # 8 eyenut	>5	60 lb
5,000 kg	1 kg	519 mm	64.0 mm	89.0 mm	46.0 mm	42.9 mm	-	7 ton alloy swivel	CR # 8 eyenut	>5	26 kg
20,000 lb	5 lb	28.4 in	4.00 in	6.25 in	2.62 in	2.41 in	-	15 ton alloy swivel	CR # 11 eyenut	>7	103lb
10,000 kg	2 kg	722 mm	101.6 mm	159 mm	66.5 mm	61.2 mm	-	15 ton alloy swivel	CR # 11 eyenut	>6.5	45 kg
30,000 lb	10 lb	29.9 in	4.00 in	6.25 in	3.00 in	3.19 in	-	22 ton alloy swivel	CR # 11 eyenut	>5	123lb
15,000 kg	5 kg	760 mm	101.6 mm	159 mm	76.2 mm	81.0 mm	-	22 ton alloy swivel	CR # 11 eyenut	>5	53 kg
50,000 lb	10 lb	40.9 in	5.00 in	6.00 in	3.62 in	3.63 in	15.0 in	30 ton alloy swivel	CR 25ton shackle# 2130	>5	233lb
25,000 kg	5 kg	1039 mm	127 mm	152 mm	92.0 mm	92.0 mm	381 mm	30 ton alloy swivel	CR 25ton shackle# 2130	4.9	105kg
70,000 lb	20 lb	43.1 in	5.00 in	6.00 in	4.56 in	3.75 in	15.0 in	37 ton alloy swivel	CR 40ton alloy shackle # 2140	4.75	268lb
35,000 kg	10 kg	1095 mm	127	152 mm	116 mm	95.0 mm	381 mm	37 ton alloy swivel	CR 40ton alloy shackle # 2140	4.3	120kg
100,000 lb	20 lb	52.0 in	5.75 in	6.65 in	5.06 in	4.25 in	16.25 in	45 ton alloy swivel	CR 55ton alloy shackle # 2140	4.5	418lb
50,000 kg	10 kg	1322 mm	146 mm	169 mm	129 mm	108 mm	413 mm	45 ton alloy swivel	CR 55ton alloy shackle # 2140	4	188kg
								60 ton alloy swivel	CR 55ton alloy shackle # 2140	5	508lb
								Alternate Hooks for 100,000 lb	CR 55ton alloy shackle # 2140	4.5	230kg
								75 ton alloy swivel	CR 55ton alloy shackle # 2140	5	628lb
									CR 55ton alloy shackle # 2140	4.5	285kg

CR = Crosby or equivalent.

* These dimensions also apply to 50/70/100000 lb. units with hook and shackle.

** Resolution subject to change for NIST and OIML approved units.

Figure 6-1. MSI-6360 Product Dimensions