

9.1 Dimensions

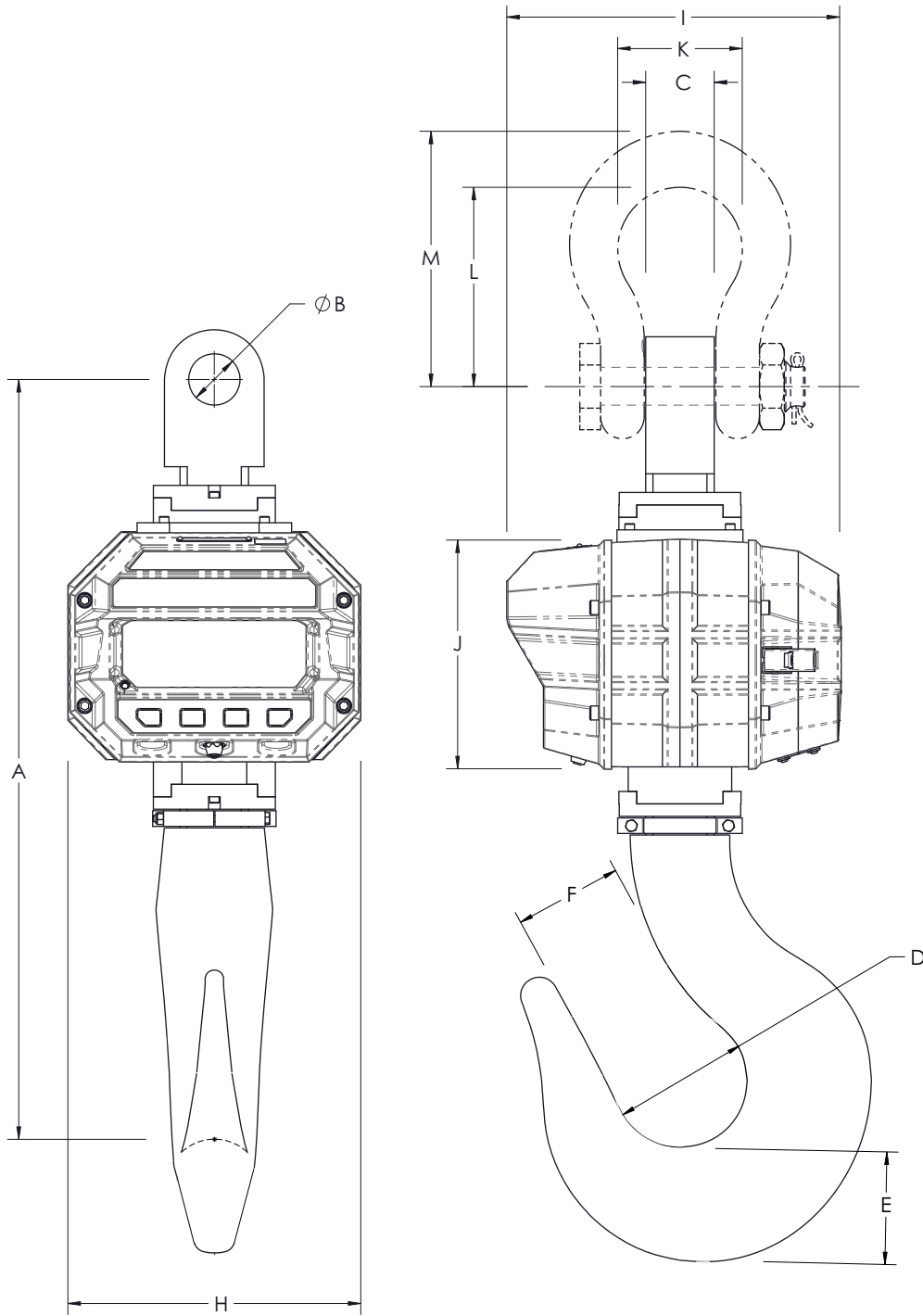


Figure 9-1. Dimensions 10,000 lb to 70,000 lb Capacity

Part No.	Capacity	A	B	C	D	E	F	H	I	J	K	L	M
214371	10K lb	19.6 in	Ø1.28 in	1.75 in	2.50 in	1.82 in	1.78 in	11.80 in	13.40 in	9.20 in	2.91 in	4.88 in	6.13 in
214370	30K lb	23.4 in	Ø1.66 in	2.15 in	4.25 in	3.01 in	3.41 in	11.80 in	13.40 in	9.20 in	3.88 in	6.57 in	8.19 in
214369	70K lb	30.5 in	Ø2.06 in	2.75 in	5.38 in	4.56 in	4.25 in	11.80 in	13.40 in	9.20 in	5.00 in	8.00 in	10.25 in

Table 9-1. Dimensions 10,000 lb to 70,000 lb Capacity

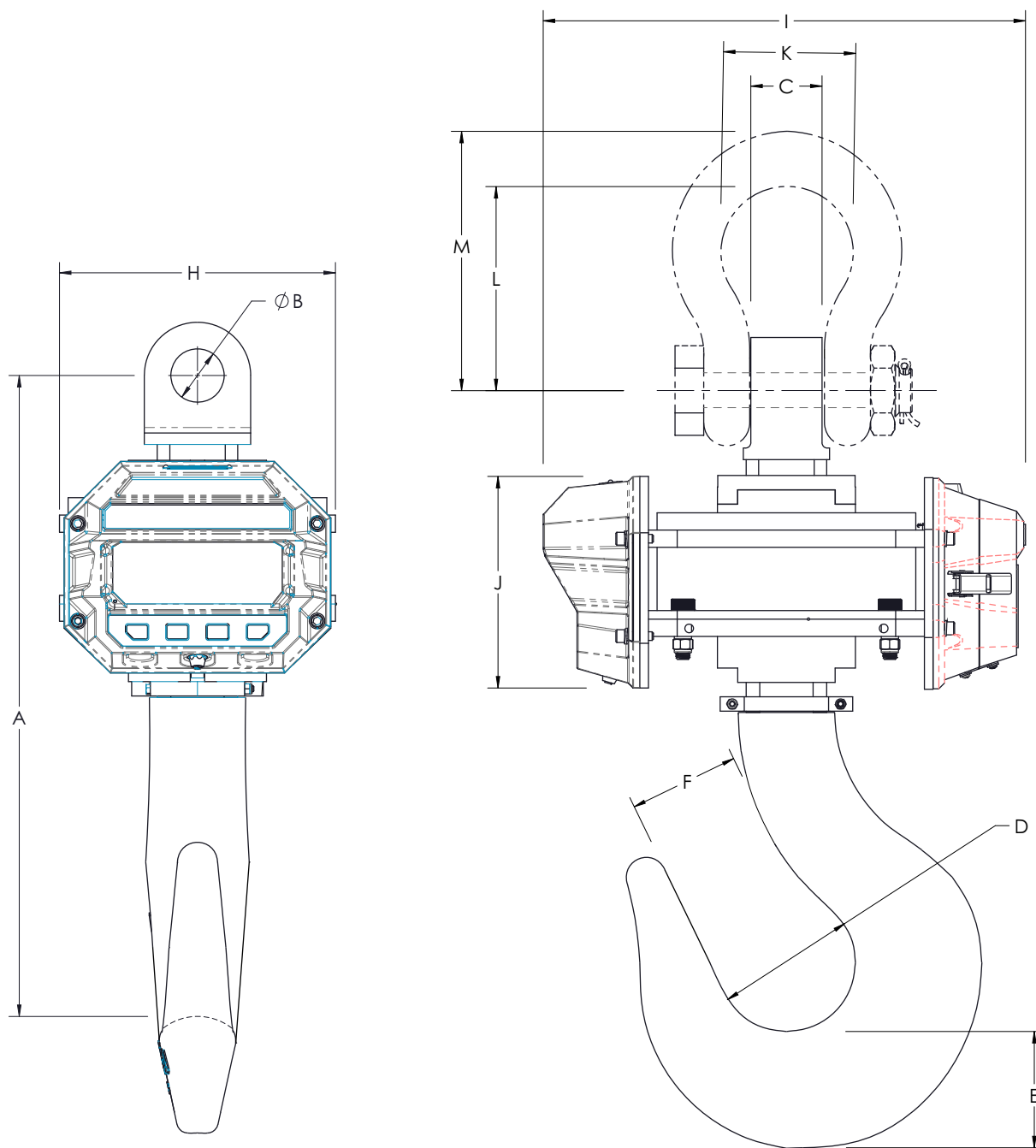


Figure 9-2. Dimensions 100,000 lb to 200,000 lb Capacity

Part No.	Capacity	A	B	C	D	E	F	H	I	J	K	L	M
214477	100K lb	27.9 in	Ø2.32 in	3.10 in	3.00 in	5.06 in	4.75 in	12.00 in	20.90 in	9.20 in	5.75 in	8.88 in	11.28 in
214474	120K lb	29.5 in	Ø2.32 in	3.10 in	7.00 in	6.00 in	5.75 in	12.00 in	20.90 in	9.20 in	5.75 in	8.88 in	11.28 in
214479	200K lb	35.4 in	Ø2.81 in	3.75 in	6.81 in	8.59 in	5.88 in	13.30 in	23.00 in	9.20 in	7.25 in	11.88 in	15.00 in

Table 9-2. Dimensions 100,000 lb to 200,000 lb Capacity