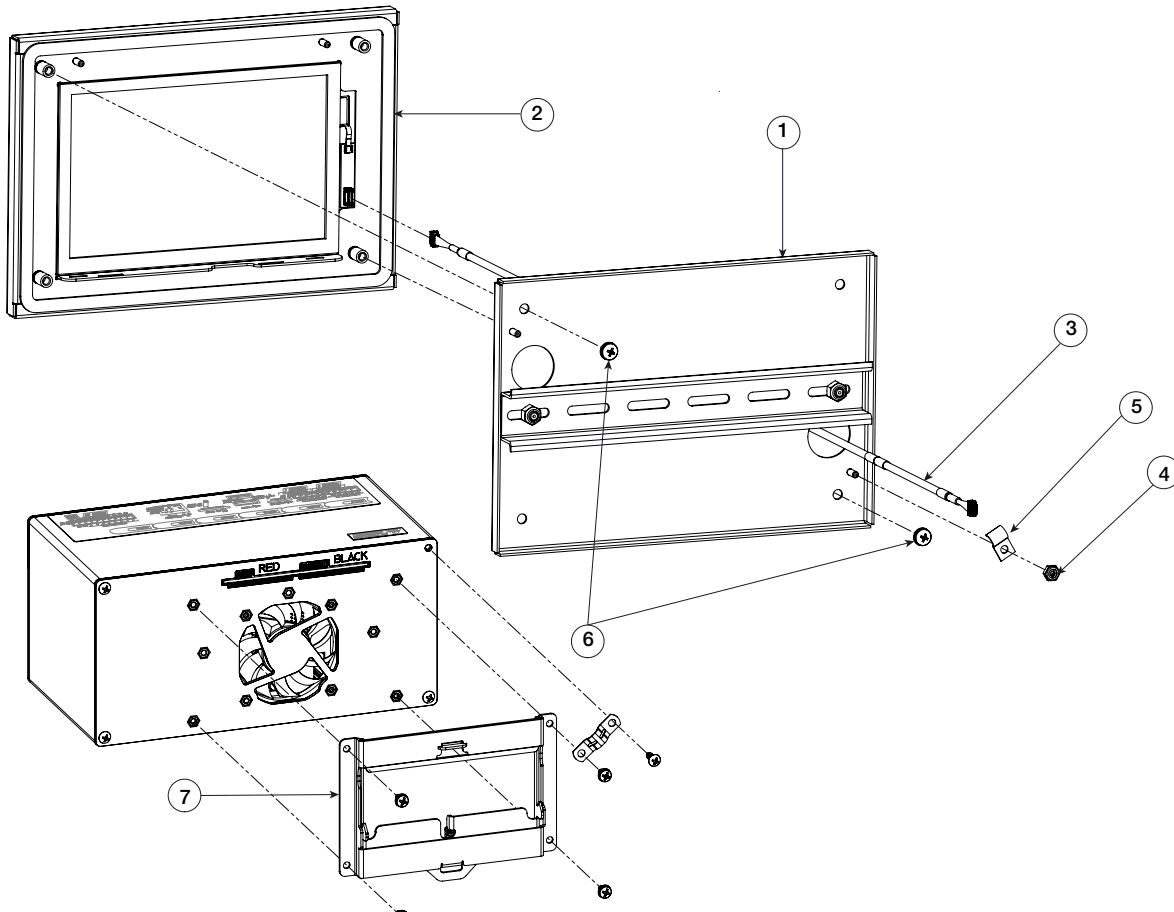


1280 Enterprise Controller Assembly

7 in Touch Only Screen

Part Number/Price

Part#	Description	Price
1	182145 Mounting plate assembly, 7 in panel mount	Consult
2	Components of Part# 176168	Consult
	176129 Front panel enclosure	Consult
	176403 Gasket for 7 in	Consult
	178498 Touch screen overlay	Consult
3	180002 Cable, CPU to touchscreen	Consult
4	58248 Locknut, 6-32 NC nylon insert	Consult
5	67550 Clamp, ground cable shield	Consult
6	55718 Screw, machine 10-32 NF x 1/4 internal tooth washer	Consult
7	166838 DIN rail mount, 1280 CPU	Consult
	164995 Cable, CPU to display (500 Nit)	Consult
	164970 Cable, CPU to display (1,000 Nit)	Consult
	163400 Display board (500 Nit)	Consult
	163399 Display board (1,000 Nit)	Consult



Indicators/Controllers