

# 1280 Enterprise Universal Enclosure



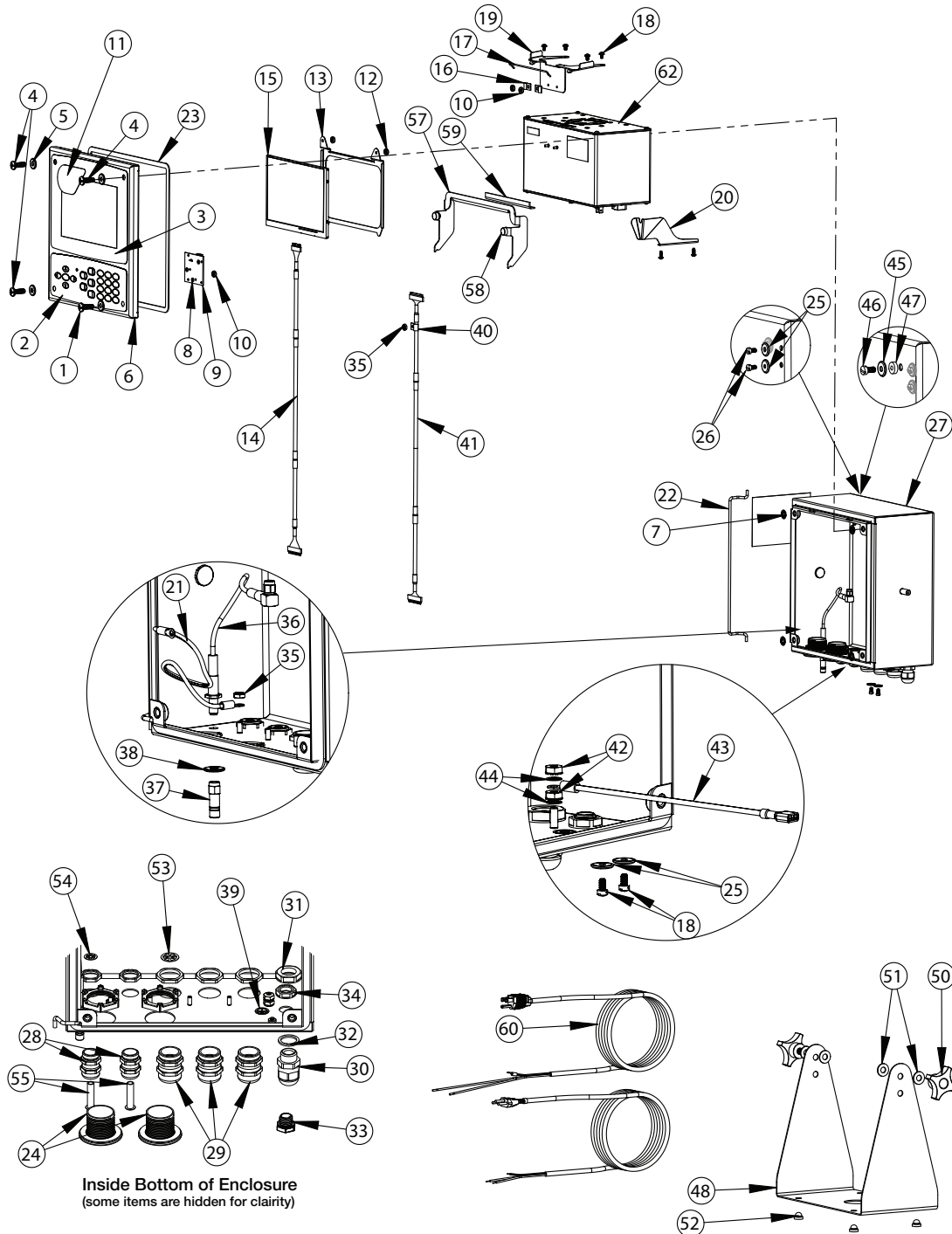
## Part Number/Price

	Part#	Description	Price
	<b>169926</b>	Door assembly, universal (inc. 1-11)	Consult
1	<b>165970</b>	Screw, 1/4-20NC x 3/4"	Consult
2	<b>161731</b>	Overlay, keypad 1280	Consult
3	<b>161730</b>	Overlay, touchscreen 1280	Consult
4	<b>166631</b>	Screw, 1/4-20NC x 3/4"	Consult
5	<b>182281</b>	Washer, washer cup 1/4 in	Consult
5	<b>182246</b>	Washer gasket, 1/4 in	Consult
6	<b>169450</b>	Front door, 1280 universal	Consult
7	<b>166653</b>	Retainer, pushnut bolt 1/4"	Consult
8	<b>69898</b>	Washer, nylon #4 ID = 0.112	Consult
9	<b>160759</b>	Board assembly, 1280 HMI_Int	Consult
10	<b>159280</b>	Nut, lock nylon insert	Consult
11	<b>172840</b>	Decal, 1280 start screen	Consult
12	<b>58248</b>	Nut, lock 6-32 NC HEX nylon	Consult
13	<b>162272</b>	Mounting bracket (500 NITS)	Consult
	<b>162271</b>	Mounting bracket (1000 NITS)	Consult
14	<b>163467</b>	Cable, CPU to display (500 NITS)	Consult
	<b>163444</b>	Cable, CPU to display (1000 NITS)	Consult
15	<b>163400</b>	500 NIT display, 7" LCD	Consult
	<b>163399</b>	1,000 NIT display, 7" LCD	Consult
	<b>169461</b>	<b>Universal controller bracket (inc. 16-20)</b>	<b>Consult</b>
16	<b>53075</b>	Clamp, ground cable shield	Consult
17	<b>168545</b>	Bail, 1280 controller retainer wire	Consult
18	<b>14839</b>	Screw, machine 6-32NC x 1/4"	Consult
19	<b>169462</b>	Bracket assembly, 1280 controller	Consult
20	<b>168937</b>	Snap tap, 1280 controller support	Consult
	<b>169927</b>	<b>Universal cabinet assembly (inc. 21-39)</b>	<b>Consult</b>
21	<b>40672</b>	Wire assembly, ground 9"	Consult
22	<b>169410</b>	Hinge Link	Consult
23	<b>160379</b>	Gasket, front panel	Consult
24	<b>124698</b>	Panel plug, round solid	Consult
25	<b>167537</b>	Washer, sealing BarTite #6	Consult
26	<b>183663</b>	Tall flanged drilled hex head screw	Consult
27	<b>169452</b>	Enclosure shell assembly, universal	Consult
28	<b>169875</b>	Cord grip, PG 9 with nut	Consult
29	<b>169876</b>	Cord grip, PG 13.5 with nut	Consult
30	<b>15626</b>	Cord grip, black PG 9	Consult
31	<b>15627</b>	Locknut, black PCN9	Consult
32	<b>30375</b>	Seal ring, nylon PG9	Consult
33	<b>164598</b>	Vent, breather sealed	Consult
34	<b>88734</b>	Nut, breather vent	Consult
35	<b>58248</b>	Nut, lock 6-32 NC hex nylon	Consult
36	<b>166240</b>	Cable, antenna extension	Consult
37	<b>168098</b>	Antenna, RP-SMA	Consult
38	<b>182281</b>	Washer, washer cup 1/4 in	Consult
38	<b>182246</b>	Washer gasket, 1/4 in	Consult
39	<b>16892</b>	Label, ground	Consult
	<b>161035</b>	<b>Universal enclosure (inc. 40-49)</b>	<b>Consult</b>
40	<b>67550</b>	Clamp, ground cable shield	Consult
41	<b>166693</b>	Cable, CPU to HMI 1280	Consult
42	<b>14626</b>	Nut, KEP 8-32 NC Hex	Consult
43	<b>167700</b>	Wire, ground 9 Inch	Consult
44	<b>15134</b>	Washer, lock No 8 type A	Consult
45	<b>182282</b>	Washer cup #10	Consult
46	<b>183662</b>	Tall flanged drilled hex head screw	Consult
48	<b>161620</b>	Stand, tilt surface mount	Consult
	<b>163785</b>	<b>Universal parts kit (inc. 50-56)</b>	<b>Consult</b>
50	<b>164064</b>	Hand knob, 4-arm 5/16-18	Consult
51	<b>79024</b>	Washer, plain 5/16" nylon	Consult
52	<b>42149</b>	Bumper, rubber grommet	Consult
53	<b>169879</b>	Clip, cord grip PG 13.5 cable	Consult
54	<b>169878</b>	Clip, cord grip PG 9 cable	Consult

# 1280 Enterprise Universal Enclosure

## Part Number/Price

Ref#	Part#	Description	Price
55	19538	Post plug, slotted black	Consult
	172859	Bracket assembly (inc. 57-59)	Consult
57	172856	Bracket, 1280 controller	Consult
58	151491	Foot, rubber bumper	Consult
59	172872	Pad, foam	Consult
60	165108	1280 opt, cord US plug	Consult
61	165109	1280 opt, cord European plug	Consult
62	169676	Controller assembly see page 173	Consult



Indicators/Controllers