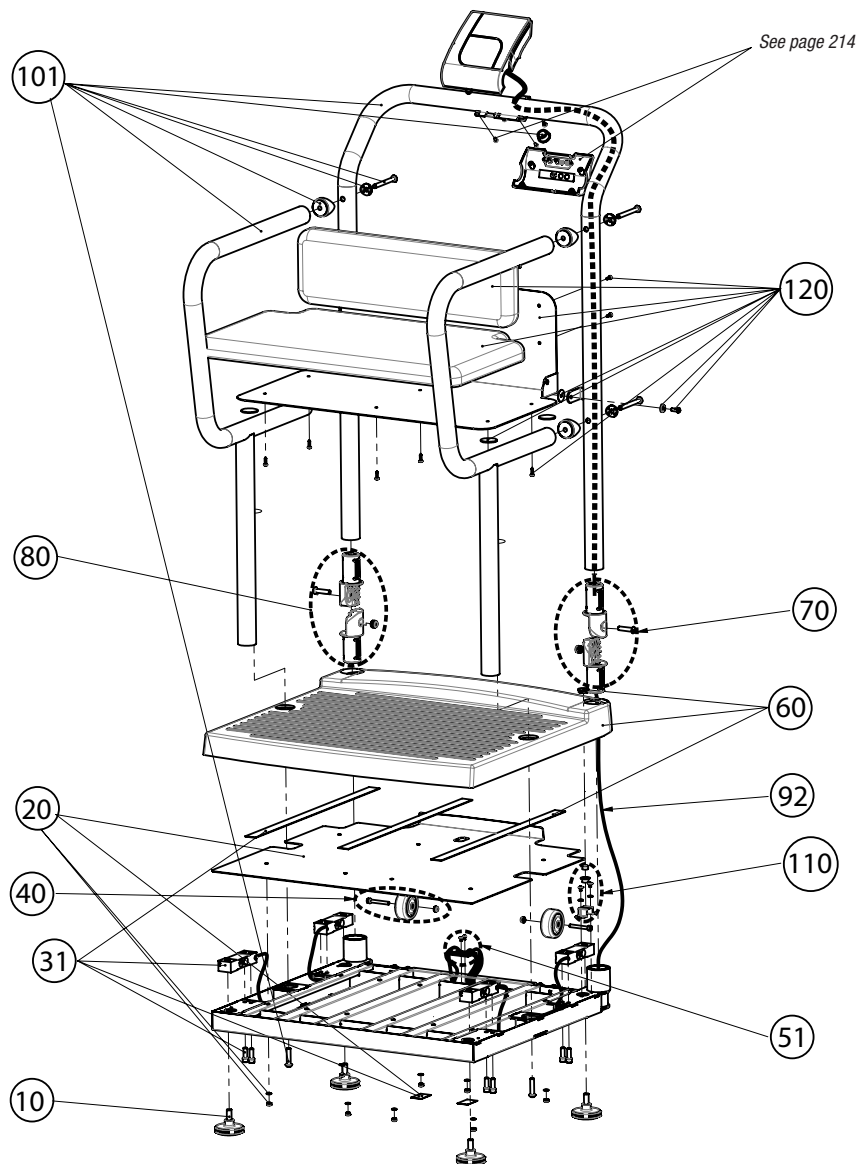


Part Number/Price

Ref#	Part#	Description	Price
10	164516	Feet	Consult
20	164517	Base	Consult
31	164521	Load cell	Consult
40	164527	Wheel	Consult
51	164578	Junction box	Consult
60	165028	Platform	Consult platform</td
70	165065	Joint	Consult
80	165068	Joint	Consult
92	165071	Cable	Consult
101	165081	Handrail kit	Consult
110	165086	Spirit level assembly	Consult
120	165087	Seat kit	Consult



Medical Scales