

INDICATORS

320IS & 320IS Plus Digital Weight Indicator

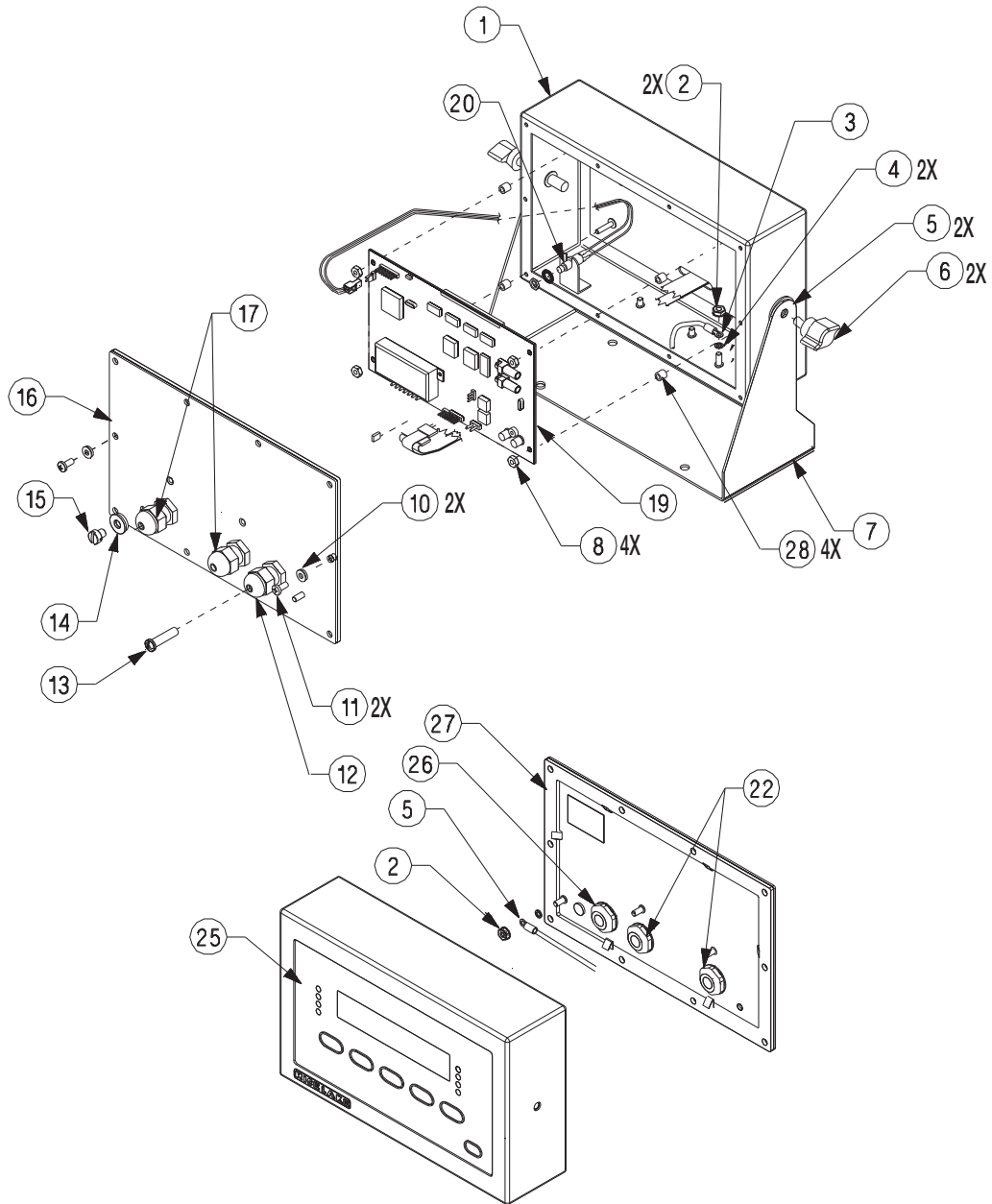


Part Number/Price

Ref#	Part#	Description	Price
1	50555	Enclosure	Consult
2	14626	Nut, KEP 8-32NC Hex	Consult
3	45043	Ground wire	Consult
4	15134	Washer, Loc No. 8	Consult
5	15144	Washer, nylon	Consult
6	68403	Knob, black	Consult
7	29635	Stand, tilt SST	Consult
8	14621	Nut, KEP 6-32NC Hex	Consult
10	45042	Washers, sealing	Consult
11	14862	Back panel screws 8-32NC	Consult
12	15626	Cable grip, black plastic	Consult
13	19538	Post, slotted black	Consult
14	44676	Washer, bonded sealing	Consult
15	42640	Screw, machine	Consult
16	72916	Backplate, SST	Consult
17	91852	Cable grip, nickel	Consult
19	86242	CPU board assembly	Consult
20	51974	Set-up switch assembly	Consult
22	50962	Lock nut, metal	Consult
25	85352	Overlay, 320IS Plus	Consult
25	73055	Overlay, 320IS	Consult
26	15627	Lock nut, black plastic	Consult
27	84388	Gasket, backplate	Consult
28	15365	Spacer, round	Consult
—	83178	EPROM, CPU flash memory chip	Consult
—	179142	DC extension cable 10 ft	Consult
—	179143	DC extension cable 25 ft	Consult
—	179144	DC extension cable 50 ft	Consult
—	179145	DC extension cable 75 ft	Consult
—	179146	DC extension cable 100 ft	Consult
—	212271	Cable Assy 10 ft Adapter Cable for 320IS to MB-EPS-100-240-X2 882IS Power Supply	Consult
—	212309	Cable Assy 50 ft Adapter Cable for 320IS to MB-EPS-100-240-X2 882IS Power Supply	Consult
—	212310	Cable Assy 100 ft Adapter Cable for 320IS to MB-EPS-100-240-X2 882IS Power Supply	Consult
—	180837	Power Supply,882IS mb-EPS-100-240-X2, Dual Output 6.8VDC 200mA	Consult
—	195109	Power Supply,882IS Metric MB-EPS-100-240-X2, Dual Output 6.8VDC 200mA Metric thread adapter included 1/2in NPT - M20	Consult

(See Diagram 320IS & 320IS Plus Desktop)

320IS & 320IS Plus Digital Weight Indicator



320IS & 320IS Plus Desktop

Indicators/Controllers