

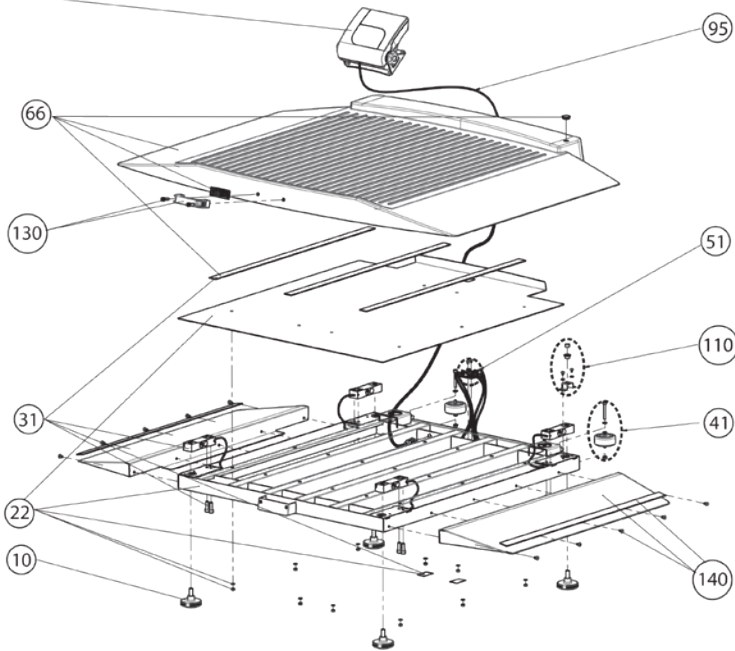
MEDICAL SCALES
350-10-7, 350-10-8

Part Number/Price

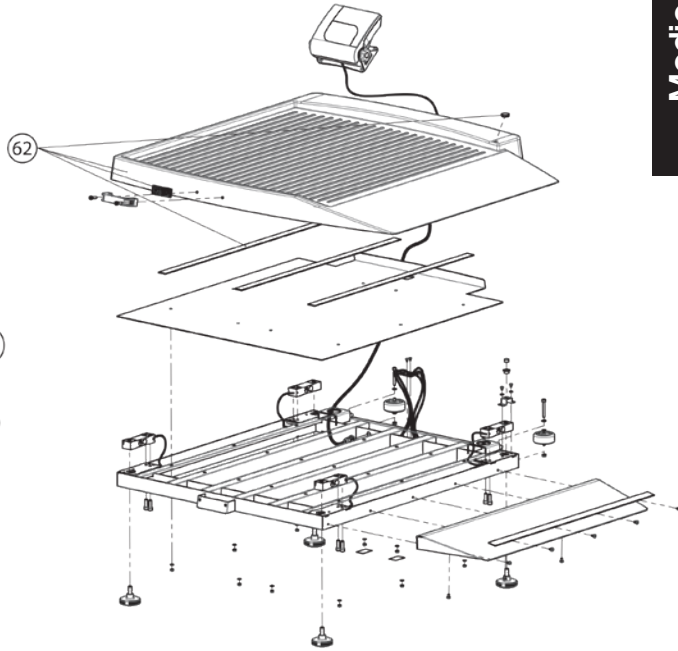
Ref#	Part#	Description	Price
10	164516	Feet	Consult
22	164518	Base	Consult
31	164521	Load cell	Consult
41	164534	Wheel	Consult
51	164578	Junction box	Consult
62	165029	Platform	Consult
66	165063	Platform	Consult
95	165072	Cable	Consult
110	165086	Spirit level assembly	Consult
130	165089	Carry handle	Consult
140	165090	Ramp	Consult



See page 214



350-10-8



350-10-7

Medical Scales