

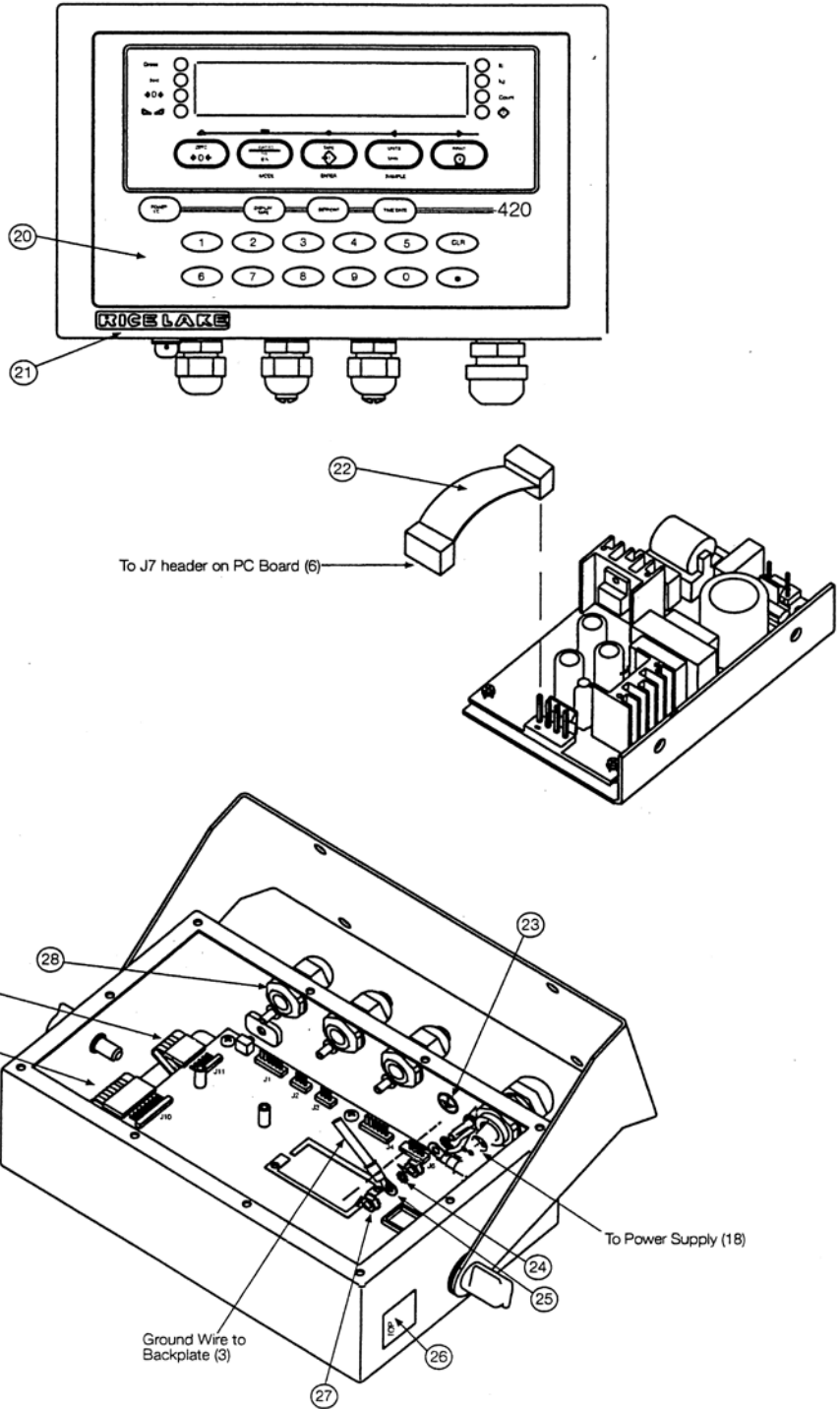
Part Number/Price

Ref#	Part#	Description	Price
	<b>85791</b>	Fuse 2.5 A, 5 x 20 mm (power supply)	Consult
	<b>85127</b>	420 universal installation manual	Consult
	<b>85659</b>	Analog output option	Consult
	<b>87512</b>	Eprom	Consult
	<b>83564</b>	Clear protective overlay	Consult
	<b>85219</b>	Parts Kit	Consult
	<b>131525</b>	BI battery BR2032 3V Lithium coin battery, solder mount	Consult
<b>Components of Part# 85219</b>			
	<b>14626</b>	Nut, KEP 8-32 NC Hex	Consult
	<b>14862</b>	Screw, MACH 8-32 NC x 3/8"	Consult
	<b>15134</b>	Washer, lock No 8 type A	Consult
	<b>15664</b>	Gland, reducing 9mm-3/8 NPT	Consult
	<b>30623</b>	Screw, MACH 8-32 NC x 7/16"	Consult
	<b>42149</b>	Bumper, rubber grommet	Consult
	<b>94422</b>	Label, capacity .45" x 3.22"	Consult
	<b>45042</b>	Washer, bonded sealing stainless steel	Consult
	<b>53075</b>	Clamp, ground cable shield	Consult
	<b>53374</b>	Label, annunciators: OZ	Consult
	<b>70599</b>	CONN, 6 pos screw terminal	Consult
	<b>71125</b>	CONN, 3 pos screw terminal	Consult
	<b>71126</b>	CONN, 4 pos screw terminal	Consult
	<b>85552</b>	Label, SEC C/CLC	Consult
	<b>85555</b>	Label, annunciator gray	Consult
1	<b>14862</b>	Screw, machine 8-32 NC x 3/8"	Consult
2	<b>45042</b>	Washer, bonded sealing SST	Consult
3	<b>84387</b>	Backplate	Consult
4	<b>84388</b>	Gasket, backplate	Consult
5	<b>14839</b>	Screw, machine 6-32 MC x 1/4"	Consult
6	<b>88835</b>	Board assembly, CPU	Consult
7	<b>84386</b>	Enclosure	Consult
8	<b>15144</b>	Washer, nylon 1/4" x 1" x 1/16"	Consult
9	<b>68403</b>	Knob, black 2-prong 1/4" - 20"	Consult
10	<b>29635</b>	Stand, tilt SST	Consult
11	<b>44676</b>	Washer, bonded sealing	Consult
12	<b>42640</b>	Screw, machine 1/4" - 28 NF x 1/4"	Consult
13	<b>19538</b>	Post only, slotted black	Consult
14	<b>15626</b>	Cable, grip black	Consult
15	<b>30375</b>	Seal ring, nylon	Consult
16	<b>85202</b>	Power cord assembly	Consult
17	<b>84389</b>	Bracket, power supply	Consult
18	<b>76556</b>	Power supply, switching, 85-265 VAC	Consult
	<b>132750</b>	DC to DC converter, 9-36 VDC	Consult
	<b>107439</b>	Fuse, 5 amp, 250V, 5 x 20 mm	Consult
20	<b>84397</b>	Overlay membrane panel	Consult
21	<b>68216</b>	Nameplate, Rice Lake	Consult
22	<b>85151</b>	Cable assembly, power supply	Consult
24	<b>15134</b>	Washer, lock No 8 type A	Consult
25	<b>45043</b>	Wire, ground 4" with No. 8	Consult
27	<b>14626</b>	Nut, KEP 8-32 NC hex	Consult
28	<b>15627</b>	Lock nut, black	Consult

(See Diagram 420-A and 420-B)



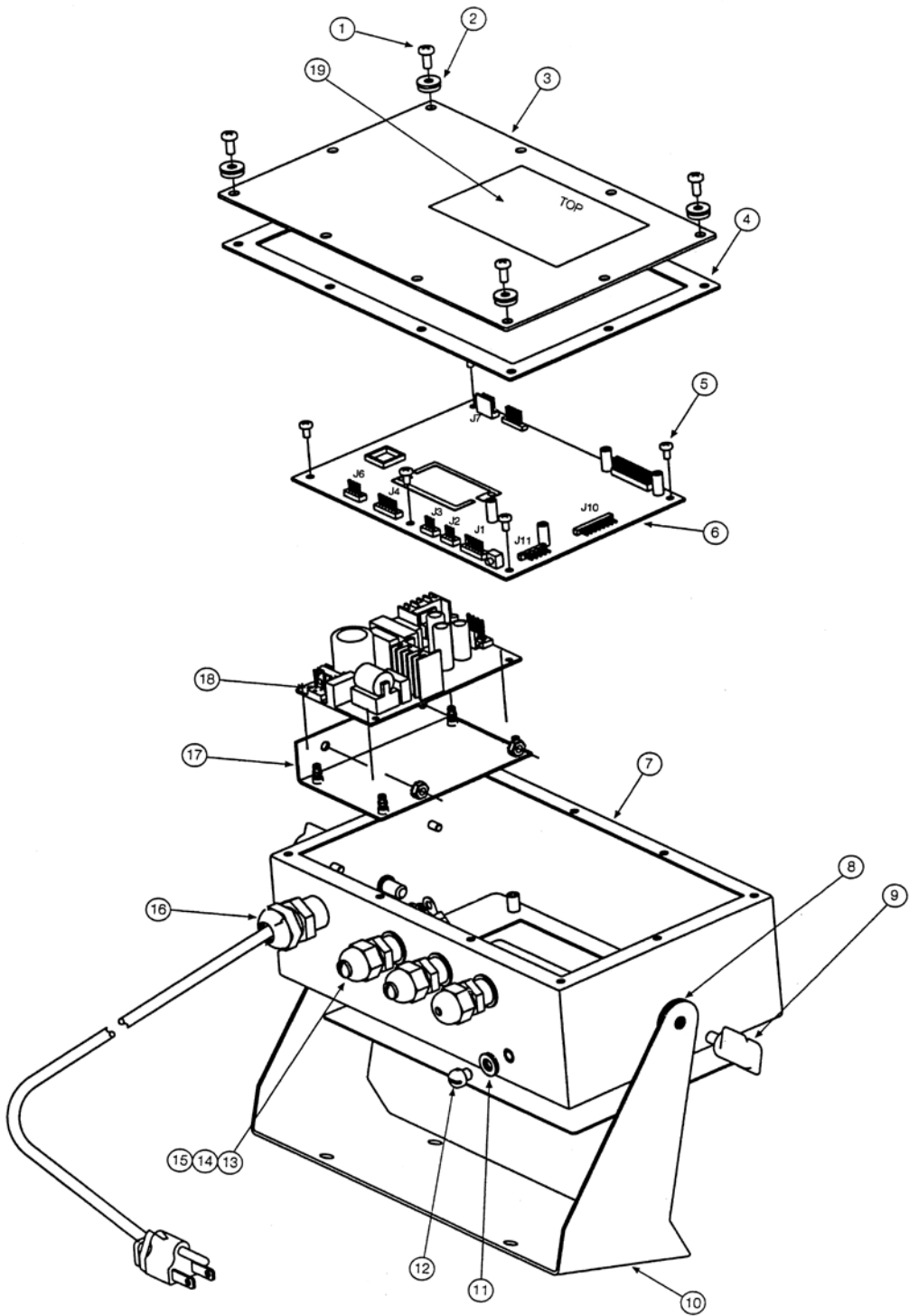
# 420 Universal



Indicators/Controllers

420-A

INDICATORS  
**420 Universal**



420-B

Indicators/Controllers