

INDICATORS

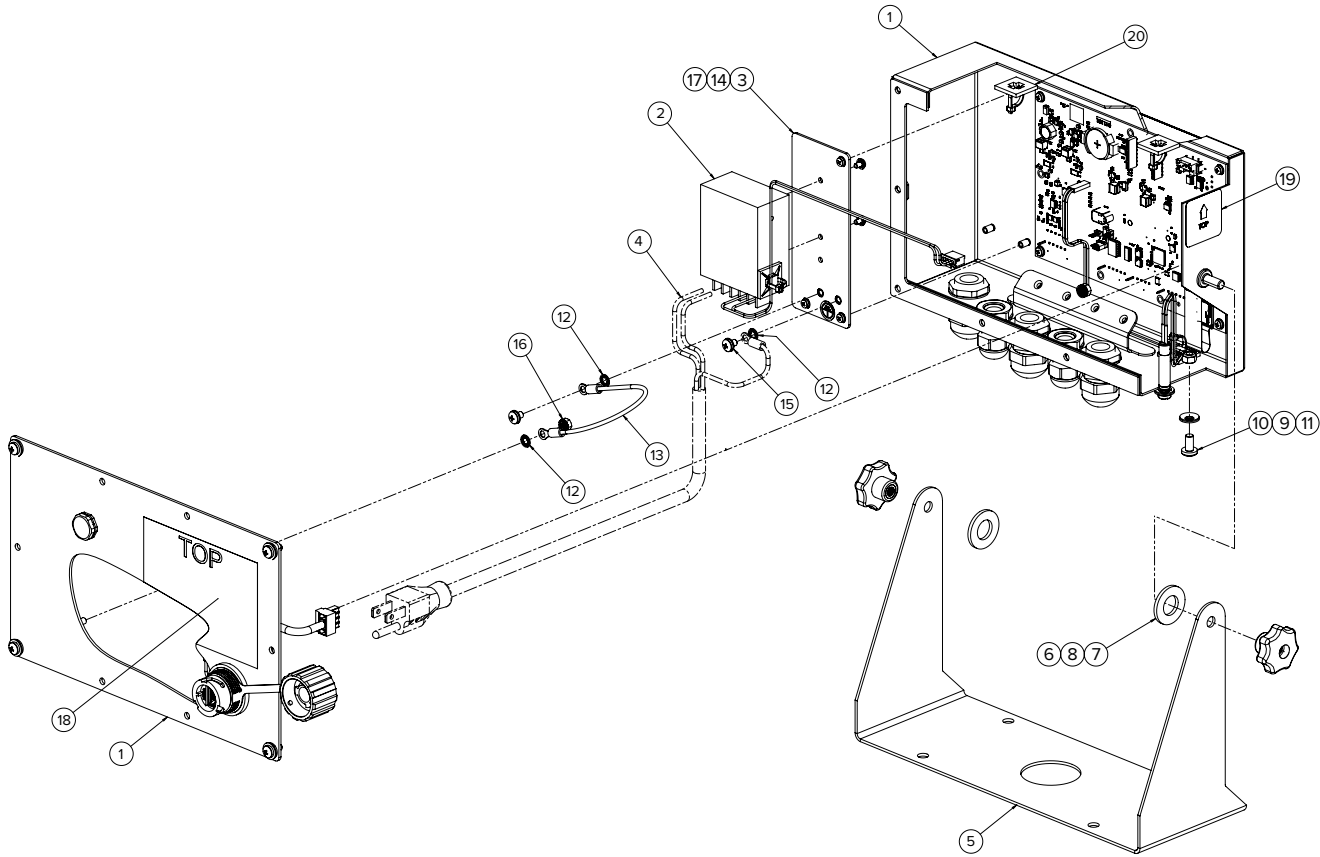
# 680 Synergy Series



## Part Number/Price

Ref#	Part#	Description	Price
1	193281	Power supply,12V 15W Meanwell RS-15-12	\$25.00
2	192439	Bracket, power supply Meanwell 15 and 25 Watt	\$15.00
3	180842	Power cord assy, belt scale indicator NEMA 5-15	\$25.00
4	180850	Power cord assy, belt scale integrator Europe CEE7/7	\$25.00
5	29635	Stand,tilt sst	\$33.00
6	103988	Washer, nylon .515 - .52 ID x 1.00 x .093-.094 thick white nylon 6/6	\$1.00
7	180825	Knob,M6x1 threaded thru 32 mm dia 7-lobe nylon zn-pltd steel	\$5.00
8	46381	#10, Bonded sealing washer, 18-8 stainless steel	\$2.00
9	150800	Screw, mach M5-0.8 X 10 pan Phillips sst	\$1.00
10	187876	Nut, lock M5 nylon insert A2 sst	\$1.00
11	180856	Washer, M4 internal tooth sst	\$1.00
12	15601	Wire, ground 6 in w/no 8 eye connector	\$4.20
13	199474	Screw, mach M3-0.5X5 Phillips pan head zinc finish steel external tooth washer SEMS machine screw	\$2.00
14	194488	Screw, mach M4-0.7X6 Phillips pan head zinc finish steel external tooth washer SEMS machine screw	\$1.00
15	180826	Nut, Kep M4x0.7 external tooth lock washer 18-8 sst	\$1.00
16	16892	Label, ground protective Earth adhesive IEC 60417-5019	\$1.50
17	53307	Label, 4.000x2.875	\$2.00
18	53308	Label, 4.000x2.875	\$2.00
19	15650	Mount, cable tie 3/4 in 4	\$1.50
20	15631	Cable tie, 3 in nylon	\$1.50

INDICATORS  
**680 Synergy Series**



Indicators/Controllers

INDICATORS

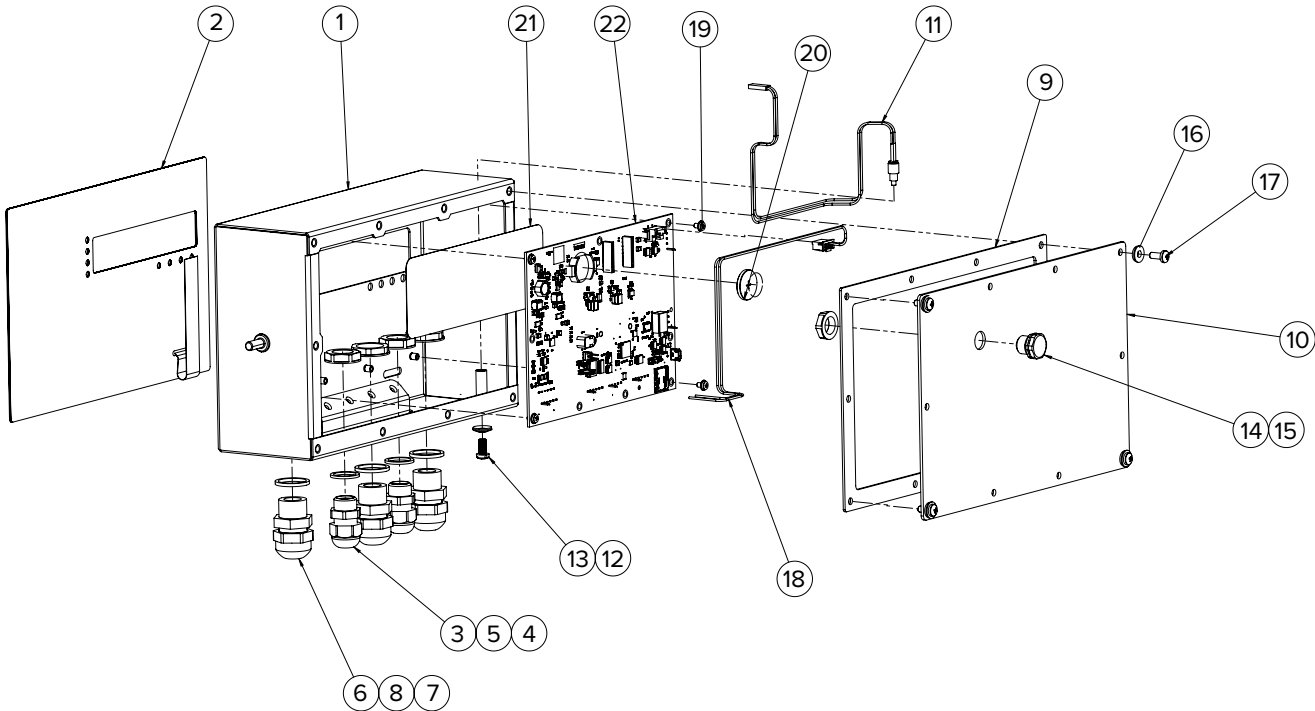
# 680 Synergy Series



## Part Number/Price

Ref#	Part#	Description	Price
1	190142	Enclosure, 680 Plus indicator multi-segment LED display	\$225.00
2	190230	Overlay, 680 Plus indicator membrane switch with numeric keys	\$65.00
3	15626	Cord grip	\$4.00
4	15627	Lock nut	\$1.50
5	30375	Seal ring	\$1.50
6	68600	Cord grip	\$4.00
7	68601	Nut	\$1.00
8	68599	Seal ring	\$1.00
9	84388	Gasket, backplate 420 and 320IS indicator	\$9.45
10	192562	Backplate, 680 Universal with gore vent, no options	\$30.00
11	193108	Setup switch assy, remote 680 682	\$20.00
12	46381	#10, Bonded sealing washer, 18-8 stainless steel	\$2.00
13	180861	Screw, mach M5x0.8x10 mm slotted drilled cheese head sst	\$2.00
14	88733	Vent, breather sealed gortex membrane black plastic	\$22.00
15	88734	Nut, breather vent M12x1 thread	\$1.05
16	75062	#8 Bonded seaing washer 7/16 OD sst	\$2.00
17	193230	Screw, mach M4x0.7x10 Phillips pan head sst	\$5.00
18	193337	Cable assy, 680 power harness, 2 POS, flying lead	\$25.00
19	199474	Screw, mach M3-0.5x5 Phillips pan head zinc finish steel external tooth washer sems machine screw	\$2.00
20	71408	Battery, CR2032 3V Lithium Manganese Dioxide	\$6.00
21	196109	Shield, ESD lens fo 680	\$10.00
22	195684	680 Replacement CPU with battery installed for field replacements	\$445.00

INDICATORS  
**680 Synergy Series**



Indicators/Controllers