

INDICATORS

# 720i™ Panel Mount Enclosure

Panel Model



Shown with control box

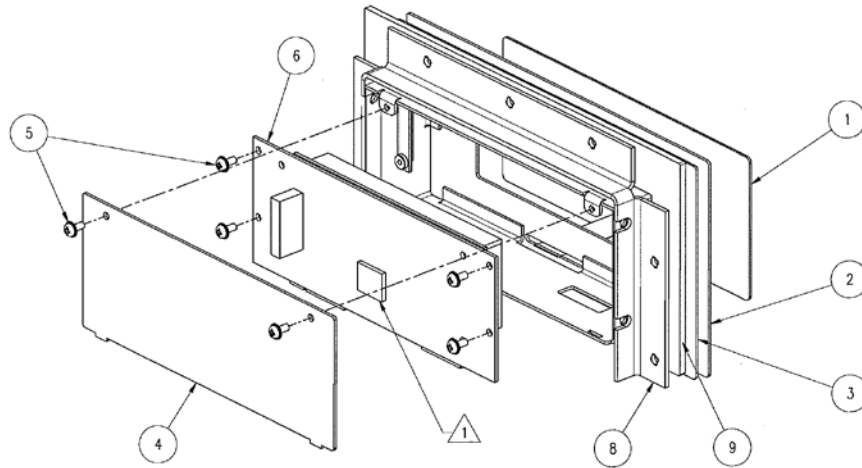
## Part Number/Price

Ref#	Part#	Description	Price
<b>720i Panel - A Parts</b>			
	<b>102380</b>	Panel mount display	Consult
	<b>101233</b>	720i controller box	Consult
1	<b>101256</b>	Panel mount overlay	Consult
2	<b>101265</b>	Panel enclosure	Consult
3	<b>68719</b>	Faceplate gasket	Consult
4	<b>102605</b>	Panel backplate	Consult
5	<b>14822</b>	MACH 4 - 40 NC x 1/4 screw	Consult
6	<b>101239</b>	Display board assembly (includes display)	Consult
	<b>101244</b>	LCD display (panel mount)	Consult
8	<b>69787</b>	Clinching bracket	Consult
9	<b>82426</b>	Backing SST plate	Consult
	<b>83567</b>	Clear protective overlay	Consult
	<b>103121</b>	Installation manual 720i	Consult
	<b>103580</b>	720i panel parts kit	Consult
<b>Components of Part# 103580</b>			
	<b>53075</b>	Ground cable shield clamp	Consult
	<b>71522</b>	MACH 8-32NC x 1/4 screw	Consult
	<b>76514</b>	6 pos screw terminal CONN	Consult
	<b>82425</b>	MACH 10-32NFX 1.50 screw	Consult
	<b>94422</b>	Capacity .50 x 4.68 label	Consult
<i>(See Diagram 720i Panel-A)</i>			
<b>720i Panel - B Parts</b>			
	<b>85791</b>	Fuse, 5 x 20 mm	Consult
	<b>103656</b>	720i controller parts kit	Consult
<b>Components of Part# 103656</b>			
	<b>104033</b>	720i software tool kit CD	Consult
	<b>14626</b>	KEP 8 - 32 NC hex nut	Consult
	<b>14862</b>	MACH 8 - 32 NC x 3/8 screw	Consult
	<b>15134</b>	Lock no 8 type A washer	Consult
	<b>15694</b>	Eye crimp no 8 CONN	Consult
	<b>15888</b>	3 position terminal block	Consult
	<b>16178</b>	Plastic ziploc 6 x 9 bag	Consult
	<b>30623</b>	MACH 8 - 32 NC 7/16 screw	Consult
	<b>53075</b>	Ground cable shield clamp	Consult
	<b>71344</b>	10 pos screw CONN for J6	Consult
	<b>76513</b>	4 pos screw terminal CONN for J3 and J5	Consult
	<b>76514</b>	6 pos screw terminal CONN for J1, J2 and J4	Consult
	<b>94422</b>	Capacity .50 x 4.68 label	Consult
1	<b>103314</b>	Controller box cover	Consult
2	<b>103677</b>	720i controller box label	Consult
3	<b>67796</b>	Power supply cable assembly	Consult
4	<b>69291</b>	3V coin lithium battery	Consult
5	<b>106788</b>	CPU board assembly	Consult
6	<b>14822</b>	MACH 4 - 40 NC x 1/4 screw	Consult
7	<b>101264</b>	Controller enclosure	Consult
9	<b>14825</b>	MACH 4 - 40 NC x 1/4 screw	Consult
10	<b>103681</b>	AC feed through header	Consult
11	<b>16892</b>	Earth ground label	Consult
12	<b>15601</b>	Ground 6" with no 8 wire	Consult
13	<b>67885</b>	Male-FEM 4 - 40 NC standoff	Consult
14	<b>67613</b>	Power supply, AC 25W	Consult
14	<b>132791</b>	Power supply, 12-24 VDC 25W	Consult
15	<b>85494</b>	Protective plastic cover	Consult
16	<b>16861</b>	Warning label high	Consult
17	<b>54206</b>	MACH 6 - 32 x 3/8 screw	Consult
18	<b>14626</b>	KEP 832 NC hex nut	Consult
19	<b>14839</b>	MACH 6 - 32 NC x 1-4 screw	Consult
21	<b>15134</b>	Lock no 8 type A washer	Consult
22	<b>71698</b>	Polyurethane foam strip	Consult

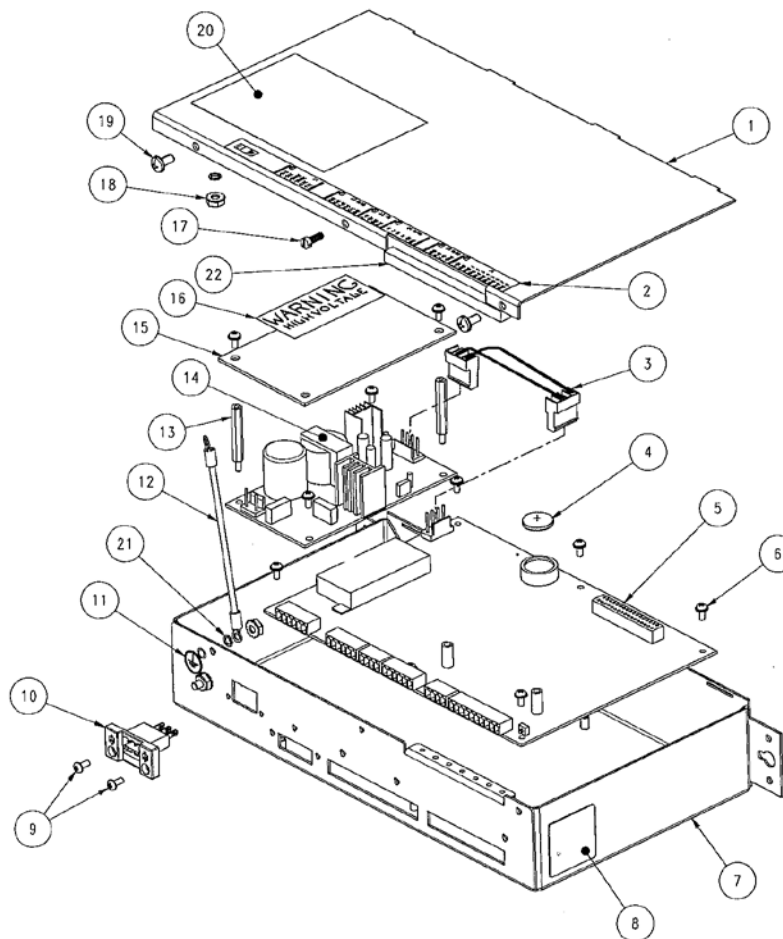
*(See Diagram 720i Panel-B)*

# 720i™ Panel Mount Enclosure

Panel Model



720i-Panel-A



720i-Panel-B

Indicators/Controllers