

INDICATORS

720i™ Universal Digital Weight Indicator

Universal Model



Part Number/Price

Ref#	Part#	Description	Price
1	101257	Switch panel membrane, universal	Consult
3	101263	Enclosure, universal	Consult
4	103988	Tilt stand washers, in parts kit	Consult
5	103610	Tilt stand knobs, in parts kit	Consult
6	67531	Tilt stand	Consult
7	15628	Cord-grip, 1/2 NPT	Consult
8	15626	Cord-grips, PG9	Consult
9	15630	Lock nut for 1/2 NPT Cord-grip	Consult
10	68600	Cord-grip, PG11	Consult
11	15627	Lock nuts, PCN9	Consult
12	68601	Lock nut, PG11	Consult
13	45043	Ground wire, 4" with no. 8 eye connector	Consult
14	102887	Display board assembly, universal (display not included)	Consult
	102888	LCD display (240 x 64, universal)	Consult
15	85202	Power cord assembly, 115VAC and 230VAC North American units	Consult
15	85203	Power cord assembly, 230VAC European units	Consult
16	67885	Standoffs, M-F, 4 - 40 NC x 3/4	Consult
17	14618	Nut, KEP, 4 - 40 NC hex	Consult
18	103443	CPU board mounting strip	Consult
19	106788	720i CPU board (PCE Version)	Consult
20	102376	Backplate gasket, universal	Consult
21	75062	Sealing washers*	Consult
22	14862	Machine screws, 8 - 32 NC x 3/8*	Consult
23	14626	Nut, KEP, 8 - 32 NC*	Consult
25	69291	3V Lithium coin battery	Consult
26	103989	Standoffs, F-F, 4 - 40 x 1.06	Consult
27	14825	Machine screws, 4 - 40 NC x 1/4	Consult
28	102888	LCD display module, 240 x 64, universal	Consult
29	16861	High voltage warning label (1)	Consult
30	67796	Power supply cable assembly, to CPU board	Consult
31	67613	Power supply, VAC, 25W	Consult
31	132791	Power supply, 12-24 VDC, 25W	Consult
32	103442	Power supply bracket	Consult
33	103936	Component plate	Consult
35	16892	Ground/earth label	Consult
36	15134	Lock washers, No. 8, Type A	Consult
37	30376	Nylon seal ring for 1/2 NPT Cord-grip	Consult
38	30375	Nylon seal rings for PG9 Cord-grips	Consult
39	68599	Nylon seal ring for PG11 Cord-grip	Consult
40	102377	Universal backplate	Consult
41	103458	Ribbon 7" cable assembly	Consult
42	103609	Cable assembly	Consult
	85791	Fuse, 5 x 20 mm	Consult
	102375	Parts kits, 720i Universal	Consult
Components of Part# 102375			
	104033	720i Software Tool Kit CD	Consult
	103988	Tilt stand washers	Consult
	103610	Tilt stand knobs	Consult
	42149	Rubber feet for tilt stand	Consult
	30623	Machine screws, 8-32NC x 7/16	Consult
	14626	Nut, KEP, 8-32NC	Consult
	14862	Machine screws, 8-32NC x 3/8	Consult
	15134	Lock washers, No. 8, Type A	Consult
	15631	Cable ties	Consult
	15665	Reducing gland for 1/2 NPT Cord-grip	Consult
	19538	Cord-grip plugs	Consult
	53075	Cable shield ground clamps	Consult
	75062	Sealing washers	Consult
	71344	10-position screw terminal for J6	Consult
	76513	4-position screw terminals for J3 and J5	Consult
	76514	6-position screw terminals for J1, J2 and J4	Consult
	94422	Capacity label	Consult

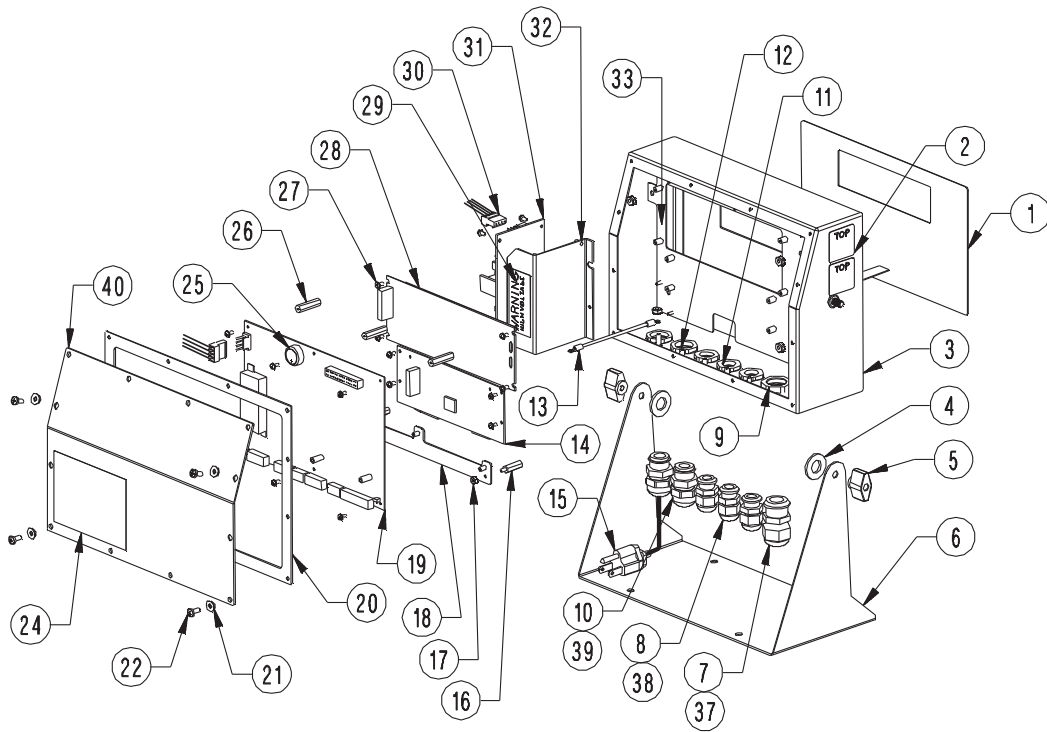
* Additional parts included in parts kit (See Diagram 720i-A)

Indicators/Controllers

720i™ Universal Digital Weight Indicator

Universal Model

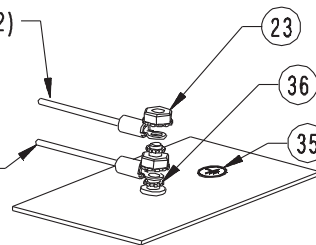
Ref#	Part#	Description	Price
	67601	Digital I/O, 24-channel	Consult
	67602	Analog output: selectable 0-10 V, 0-20 mA	Consult
	67604	Serial, dual channel	Consult
	77142	Ethernet TCP/IP Port (replaces serial port 2)	Consult
	71986	Ethernet TCP/IP module (installed in option slot)	Consult
	87803	Ethernet IP (specifically for A-B PLC)	Consult
	108671	Wireless LAN Card 802.11 A/B	Consult
	68539	Allen-Bradley Remote I/O interface	Consult
	68540	Profibus™ DP interface	Consult
	68541	DeviceNet™ interface	Consult



720i-A

GROUND WIRE (13) TO BACKPLATE (22)

GROUND WIRE FROM POWER
CORD ASSEMBLY (15)



GROUNDING STACKUP

Indicators/Controllers