

880 Plus Universal Enclosure



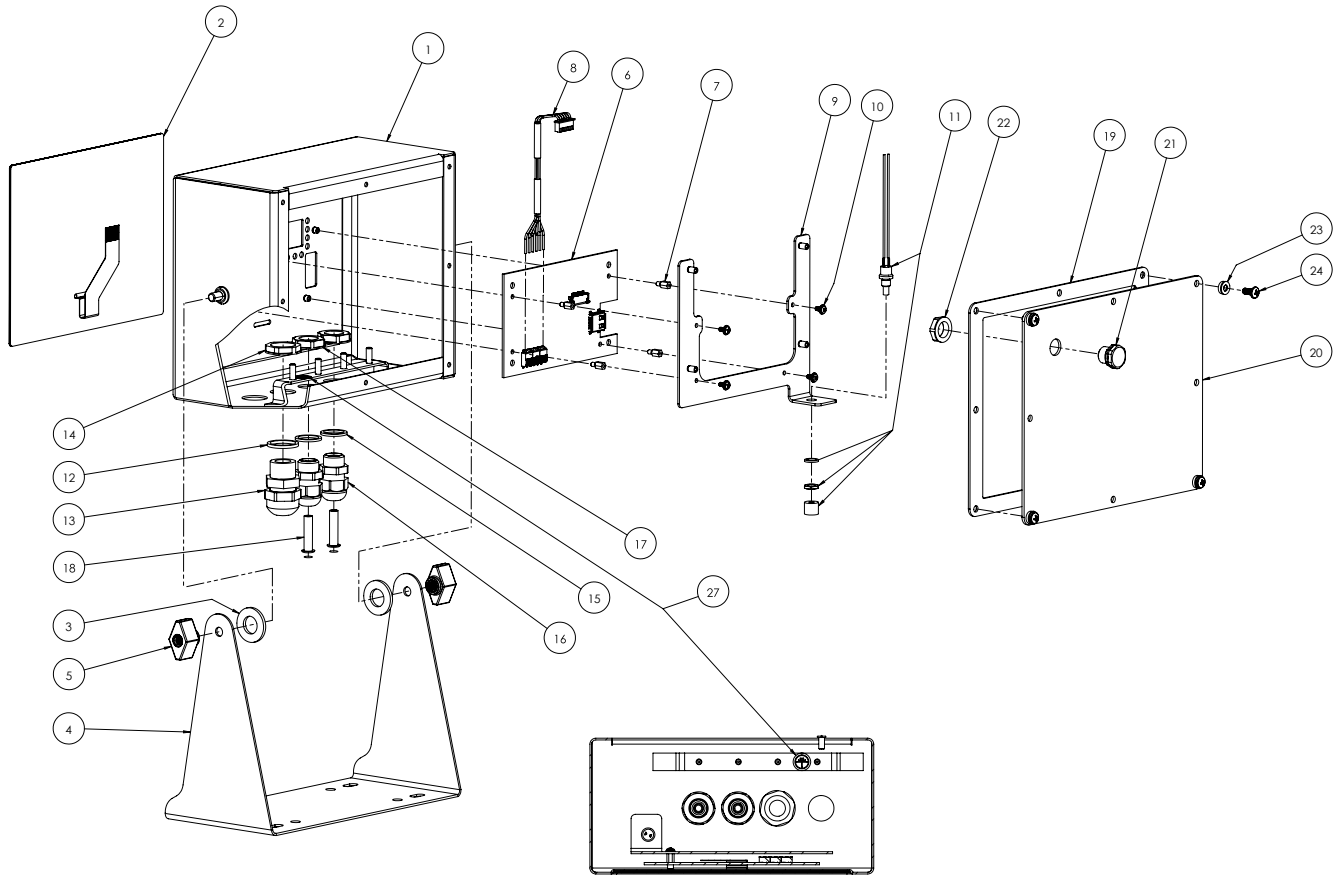
Part Number/Price

Ref#	Part#	Description	Price
1	163752	Enclosure, 880 Desktop	Consult
2	163986	Overlay, 880 Universal	Consult
3	103988	Washer, nylon .515-.52	Consult
4	163751	Tilt Stand, 880 Desktop 30.00	Consult
5	103610	Knob,Black 1/4-20 T-Knob Internal thread	Consult
6	131598	Board Assembly, 880 LED Display	Consult
7	182290	Standoff, M-F 4-40 x 1/4 long 3/16 hex	Consult
8	151668	Cable Assembly	Consult
9	163987	Plate Mount, Circuit Board (green-board design)	Consult
	177361	Plate Mount, Circuit Board (blue-board design)	Consult
10	14822	Screw, Machine 4-40NC X 1/4	Consult
11	44845	Setup switch assembly	Consult
12	68599	Seal ring, PG11	Consult
13	68600	Cord grip, PG11	Consult
14	68601	Nut, PG11 black nylon	Consult
15	30375	Seal Ring, Nylon PG9	Consult
16	15626	Cord Grip, Black PG9	Consult
17	15627	Lock nut, PG9 plastic	Consult
18	19538	Post, Slotted Black Seal	Consult
19	163768	Gasket, 880 Indicator	Consult
20	163753	Backplate, 880 desktop	Consult
21	88733	Vent, breather sealed Gortex membrane black plastic	Consult
22	88734	Nut, breather vent M12x1 thread	Consult
23	45042	Washer, Bonded Sealing SST	Consult
24	14862	Screw, Mach 8-32 NC x 3/8 Phillips pan head	Consult
25	46381	Washer, #10, bonded sealing, 18-8 stainless steel	Consult
26	14877	Screw, Mach #10-32 NF x 3/8 drilled head fillister slotted	Consult
27	16892	Label, ground protective Earth adhesive IEC 60417-5019	Consult
	131599*	Board Assembly, 880 Power AC (green-board design 5.0 in wide)	Consult
	153510	Board Assembly, 880 Power DC (green-board design 5.0 in wide)	Consult
	175603	Board Assembly, 880 Power AC (blue-board design 5.5 in wide)	Consult
	175604	Board Assembly, 880 Power DC (blue-board design 5.5 in wide)	Consult
	131597*	Board Assembly, CPU 880 (green-board design 5.0 in wide)	Consult
	175109	Board Assy, CPU 880 (blue-board design 5.5 in wide)	Consult
	164066	Backplate Assembly, 880 Desktop	Consult
	42149	Bumper, Rubber Grommet	Consult
	15601	Wire, Ground 6in W/NO 8	Consult
	152235	Parts Kit, AC Power 880 (Includes items below)	Consult
	153647	Parts Kit, DC Power 880 (Includes items below)	Consult
	152334	Conn, 3 Pos Screw Terminal (AC Option)	Consult
	15888	Terminal Block, 3 position (DC Option)	Consult
	153873	Conn, 3 Pos Screw Terminal	Consult
	153883	Conn, 6 Pos Screw Terminal	Consult
	14621	Nut, KEP 6-32NC HEX	Consult
	15130	Washer, Lock No 6	Consult
	157074	Ferrite, EMI/RFI Clamp-on	Consult
	53075	Clamp, Ground Cable Shield Large	Consult
	67550	Clamp, Ground Cable Shield Small	Consult
	94422	Label, Capacity 0.40 x 4.63	Consult
	179159	EtherNet/IP interface option	Consult
	179160	Profinet interface option	Consult
	179163	Profibus DP interface option	Consult
	179161	Modbus/TCP interface option	Consult
	179162	DeviceNet interface option	Consult
	179156	Analog output 0-10 UPC, 0-20mA option	Consult
	179158	EtherCAT interface option	Consult

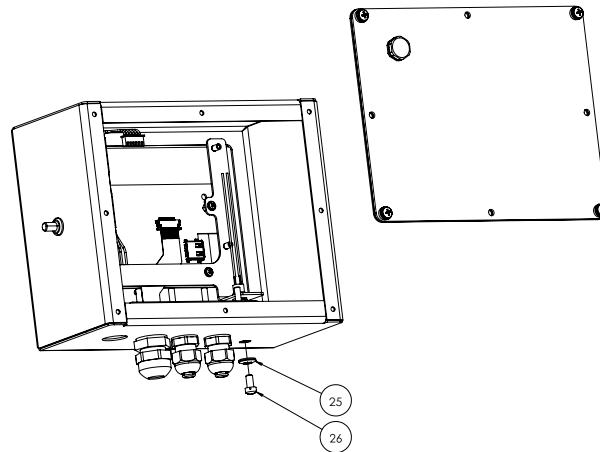
(See Diagram 880 Plus Universal Enclosure)

*Because the 880 board design has changed, there are new part numbers. Please be advised, past generation boards (green) are not interchangeable with the new boards (blue).

880 Plus Universal Enclosure



SECTION G-G



880 Plus Universal Enclosure

Indicators/Controllers