

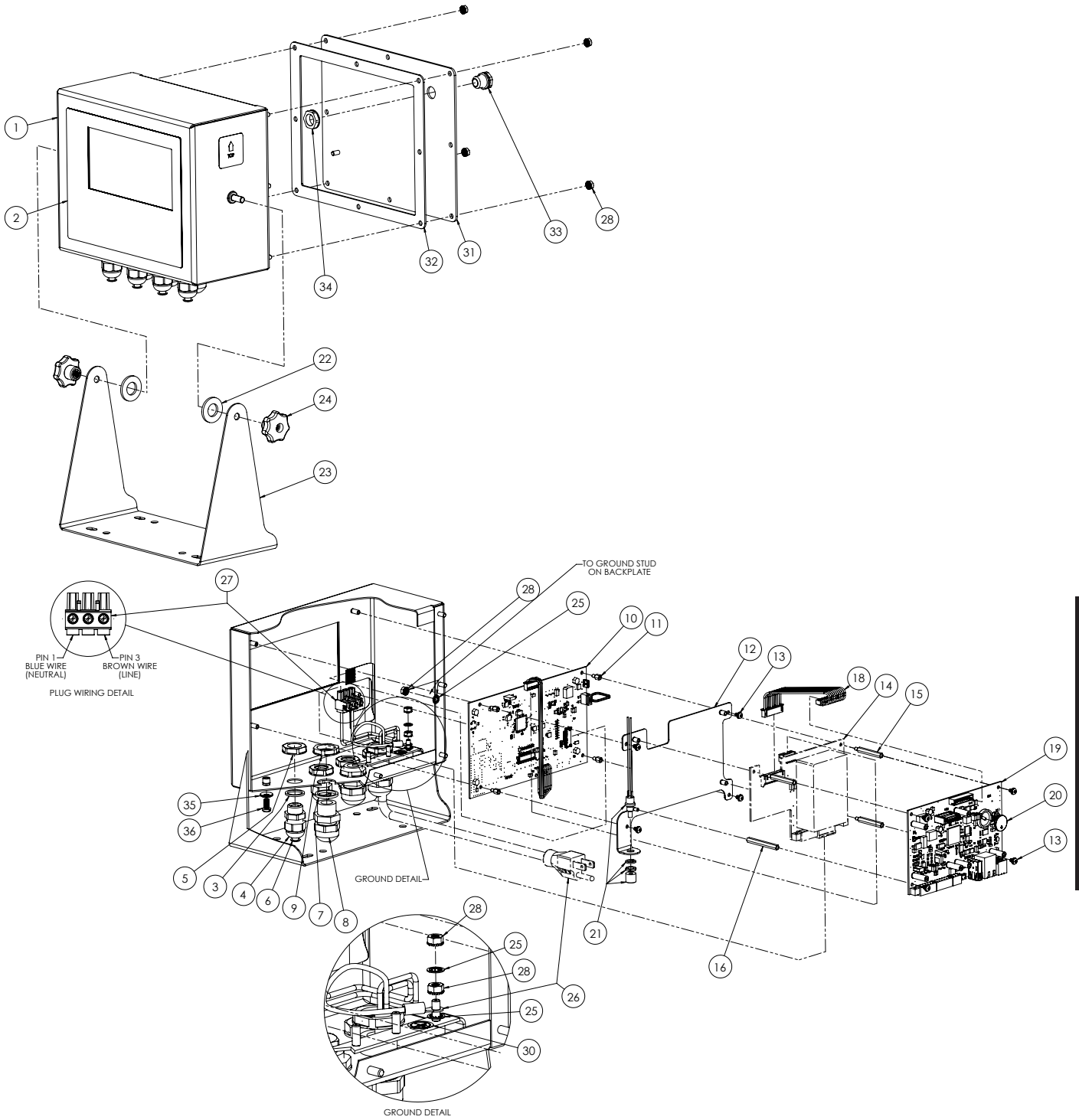
## INDICATORS

**882D****Part Number/Price**

Ref#	Part#	Description	Price
1	<b>177305</b>	Enclosure, 882D belt scale indicator with holes	Consult
2	<b>175214</b>	Overlay, 882D indicator membrane switch with numeric keys	Consult
3	<b>30375</b>	Seal ring, PG9 nylon	Consult
4	<b>15626</b>	Cord grip, PG9 plastic	Consult
5	<b>15627</b>	Lock nut, PG9 plastic	Consult
6	<b>19538</b>	Post, slotted black seal 1/4 x 1, cord grip - post only	Consult
7	<b>68599</b>	Seal ring, PG11	Consult
8	<b>68600</b>	Cord grip, PG11	Consult
9	<b>68601</b>	Nut, PG11 black nylon	Consult
10	<b>195681</b>	PCB, belt scale display board	Consult
11	<b>180821</b>	Standoff, M3x0.5x5 mm hex size 4.5 mm male-fem sst	Consult
12	<b>177306</b>	Adaptor plate, power supply 882 indicator	Consult
13	<b>180824</b>	Mach screw, M3X0.5X5 mm Phillips pan head SEMS 18-8 sst	Consult
14	<b>175603</b>	Board assy, 880/882 power supply 115-230VAC 5.5 inch blue color	Consult
14	<b>175604</b>	Board assy, 880/882 power supply 9-36VAC 5.5 inch blue color	Consult
15	<b>180822</b>	Standoff, M3x0.5x31 mm hex size 4.5 mm male-fem sst	Consult
16	<b>180823</b>	Standoff, M3x0.5x40 mm hex size 4.5 mm fem-fem sst	Consult
18	<b>154762</b>	Cable assy, 10 POS CPU to power supply 880 controller	Consult
19	<b>195681</b>	Board assy, 882 belt scale CPU	Consult
20	<b>69291</b>	Battery, 3V coin lithium, 16 mm diameter, 125 (mAh)	Consult
21	<b>44845</b>	Setup switch assy	Consult
22	<b>103988</b>	Washer, nylon .515-.52	Consult
23	<b>163751</b>	Tilt stand, 880 desktop	Consult
24	<b>180825</b>	Knob, M6x1 threaded thru 32mm dia 7-lobe nylon zn-pltd steel	Consult
25	<b>15134</b>	Washer, lock no 8 type A internal tooth steel zinc plated	Consult
26	<b>180842</b>	Power cord assy, 882D belt scale indicator NEMA 5-15	Consult
26	<b>180850</b>	Power cord assy, 882D belt scale integrator Europe CEE7/7	Consult
27	<b>152334</b>	Conn, 3 POS screw terminal 7.62 mm strip length 8 mm (.315 in)	Consult
28	<b>180826</b>	Nut, KEP M4x0.7 external tooth lock washer 18-8 sst	Consult
30	<b>16892</b>	Label, ground protective earth adhesive IEC 60417-5019	Consult
31	<b>180827</b>	Backplate, 882D universal belt scale integrator	Consult
32	<b>163768</b>	Gasket, 880 indicator	Consult
33	<b>88733</b>	Vent, breather sealed Gortex membrane black plastic	Consult
34	<b>88734</b>	Nut, breather vent M12x1 thread	Consult
35	<b>46381</b>	#10, Bonded sealing washer, 18-8 stainless steel	Consult
36	<b>180861</b>	Screw, mach M5x0.8x10 mm slotted drilled cheese head sst	Consult

(See Diagram 882D)

INDICATORS  
882D



Indicators/Controllers

882D